
BDL5571V



www.philips.com/welcome

User Manual (English)

PHILIPS

SAFETY INSTRUCTIONS WARNINGS AND PRECAUTIONS

KNOW THESE SAFETY SYMBOLS



CAUTION: TO REDUCE THE RISK OF ELECTRIC SHOCK, DO NOT REMOVE COVER (OR BACK). NO USER SERVICEABLE PARTS INSIDE. REFER SERVICING TO QUALIFIED SERVICE PERSONNEL.



This symbol indicates high voltage is present inside. It is dangerous to make any kind of contact with any inside part of this product.



This symbol alerts you that important literature concerning operation and maintenance has been included with this product.

Note to CATV system installer: This reminder is provided to call CATV system installer's attention to Article 820-40 of the National Electrical Code (Section 54 of Canadian Electrical Code, Part I), that provides guidelines for proper grounding and, in particular, specifies that the cable ground shall be connected to the grounding system of the building as close to the point of cable entry as practical.

Caution: FCC/CSA regulations state that any unauthorized changes or modifications to this equipment may void the user's authority to operate it.

Caution: To prevent electric shock, match the wide blade of plug to the wide slot, and fully insert the plug.

Important: One Federal Court has held that unauthorized recording of copyrighted TV programs is an infringement of U.S. copyright laws. Certain Canadian programs may also be copyrighted and any unauthorized recording in whole or in part may be in violation of these rights.

TO PREVENT DAMAGE WHICH MAY RESULT IN FIRE OR ELECTRIC SHOCK HAZARD, DO NOT EXPOSE THIS APPLIANCE TO RAIN OR MOISTURE.

The Socket-outlet shall be installed near the apparatus and shall be easily accessible.

Read and follow these instructions when connecting and using your computer monitor:



- Unplug the monitor if you are not going to use it for an extensive period of time.
- Unplug the monitor if you need to clean it with a slightly damp cloth. The screen may be wiped with a dry cloth when the power is off. However, never use alcohol, solvents or ammonia-based liquids.
- Consult a service technician if the monitor does not operate normally when you have followed the instructions in this manual.
- The casing cover should be opened only by qualified service personnel.
- Keep the monitor out of direct sunlight and away from stoves or any other heat source.
- Remove any object that could fall into the vents or prevent proper cooling of the monitor's electronics.
- Do not block the ventilation holes on the cabinet.
- Keep the monitor dry. To avoid electric shock, do not expose it to rain or excessive moisture.
- If turning off the monitor by detaching power cable or DC power cord, wait for 6 seconds before attach the power cable or DC power cord for normal operation.
- To avoid the risk of shock or permanent damage to the set do not expose the monitor to rain or excessive moisture.
- When positioning the monitor, make sure the power plug and outlet are easily accessible.
- **IMPORTANT:** Always activate a screen saver program during your application. If a still image in high contrast remains on the screen for an extended period of time, it may leave an 'after-image' or 'ghost image' on the front of the screen. This is a well-known phenomenon that is caused by the shortcomings inherent in the LCD technology. In most cases the afterimage will disappear gradually over a period of time after the power has been switched off. Be aware that the after-image symptom cannot be repaired and is not covered under warranty.

REGULATORY INFORMATION

CE DECLARATION OF CONFORMITY

MMD declare under our responsibility that the product is in conformity with the following standards

- EN60950-1:2006+A11:2009 (Safety requirement of Information Technology Equipment)
- EN55022:2006+A1:2007 (Radio Disturbance requirement of Information Technology Equipment)
- EN55024:1998+A1:2001+A2:2003 (Immunity requirement of Information Technology Equipment)
- EN61000-3-2:2006 (Limits for Harmonic Current Emission)
- EN61000-3-3:2008 (Limitation of Voltage Fluctuation and Flicker) following provisions of directives applicable
- 2006/95/EC (Low Voltage Directive)
- 2004/108/EC (EMC Directive)
- 2005/32/EC (EuP, Energy-using Product Directive) EC No. 642/2009 Implementing
- 93/68/EEC (Amendment of EMC and Low Voltage Directive) and is produced by a manufacturing organization on ISO9000 level.

FEDERAL COMMUNICATIONS COMMISSION (FCC) NOTICE (U.S. Only)



This equipment has been tested and found to comply with the limits for a Class B digital device, pursuant to Part 15 of the FCC Rules. These limits are designed to provide reasonable protection against harmful interference when the equipment is operated in a commercial environment. This equipment generates, uses and can radiate radio frequency energy and, if not installed and used in accordance with the instructions manual, may cause harmful interference to radio communications.

Operation of this equipment in a residential area is likely to cause harmful interference in which case the user will be required to correct the interference at his own expense.



Changes or modifications not expressly approved by the party responsible for compliance could void the user's authority to operate the equipment.

Use only RF shielded cable that was supplied with the monitor when connecting this monitor to a computer device.

To prevent damage which may result in fire or shock hazard, do not expose this appliance to rain or excessive moisture.

THIS CLASS B DIGITAL APPARATUS MEETS ALL REQUIREMENTS OF THE CANADIAN INTERFERENCE- CAUSING EQUIPMENT REGULATIONS.



This device complies with Part 15 of the FCC Rules. Operation is subject to the following two conditions: (1) this device may not cause harmful interference, and (2) this device must accept any interference received, including interference that may cause undesired operation.

POLISH CENTER FOR TESTING AND CERTIFICATION NOTICE

The equipment should draw power from a socket with an attached protection circuit (a three-prong socket). All equipment that works together (computer, monitor, printer, and so on) should have the same power supply source.

The phasing conductor of the room's electrical installation should have a reserve short-circuit protection device in the form of a fuse with a nominal value no larger than 16 amperes (A).

To completely switch off the equipment, the power supply cable must be removed from the power supply socket, which should be located near the equipment and easily accessible.

A protection mark "B" confirms that the equipment is in compliance with the protection usage requirements of standards PN-93/T-42107 and PN-89/E-06251.

Wymagania Polskiego Centrum Badań i Certyfikacji

Urządzenie powinno być zasilane z gniazda z przyłączonym obwodem ochronnym (gniazdo z kolkiem). Współpracujące ze sobą urządzenia (komputer, monitor, drukarka) powinny być zasilane z tego samego źródła.

Instalacja elektryczna pomieszczenia powinna zawierać w przewodzie fazowym rezerwową ochronę przed zwarciami, w postaci bezpiecznika o wartości znamionowej nie większej niż 16A (amperów).

W celu całkowitego wyłączenia urządzenia z sieci zasilania, należy wyjąć wtyczkę kabla zasilającego z gniazda, które powinno znajdować się w pobliżu urządzenia i być łatwo dostępne.

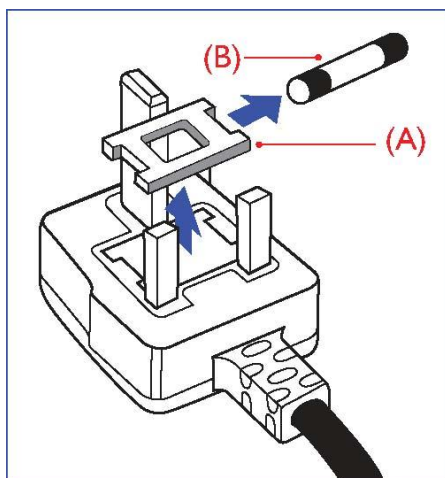
Znak bezpieczeństwa "B" potwierdza zgodność urządzenia z wymaganiami bezpieczeństwa użytkownika zawartymi w PN-93/T-42107 i PN-89/E-06251.

Pozostałe instrukcje bezpieczeństwa

- Nie należy używać wtyczek adapterowych lub usuwać kolka obwodu ochronnego z wtyczki. Jeżeli konieczne jest użycie przedłużacza to należy użyć przedłużacza 3-żyłowego z prawidłowo połączonym przewodem ochronnym.
- System komputerowy należy zabezpieczyć przed nagłymi, chwilowymi wzrostami lub spadkami napięcia, używając eliminatora przepięć, urządzenia dopasowującego lub bezzakłóceniewego źródła zasilania.
- Należy upewnić się, aby nic nie leżało na kablach systemu komputerowego, oraz aby kable nie były umieszczone w miejscu, gdzie można byłoby na nie nadeptywać lub potykać się o nie.
- Nie należy rozlewać napojów ani innych płynów na system komputerowy.
- Nie należy wpychać żadnych przedmiotów do otworów systemu komputerowego, gdyż może to spowodować pożar lub porażenie prądem, poprzez zwarcie elementów wewnętrznych.
- System komputerowy powinien znajdować się z dala od grzejników i źródeł ciepła. Ponadto, nie należy blokować otworów wentylacyjnych. Należy unikać kładzenia luźnych papierów pod komputer oraz umieszczania komputera w ciasnym miejscu bez możliwości cyrkulacji powietrza wokół niego.

ELECTRIC, MAGNETIC AND ELECTROMAGNETIC FIELDS ("EMF")

1. MMD manufactures and sells many products targeted at consumers, which, like any electronic apparatus, in general have the ability to emit and receive electromagnetic signals.
2. One of MMDs' leading Business Principles is to take all necessary health and safety measures for our products, to comply with all applicable legal requirements and to stay well within the EMF standards applicable at the time of producing the products.
3. MMD is committed to develop, produce and market products that cause no adverse health effects.
4. MMD confirms that if its products are handled properly for their intended use, they are safe to use according to scientific evidence available today.
5. MMD plays an active role in the development of international EMF and safety standards, enabling MMD to anticipate further developments in standardization for early integration in its products.

INFORMATION FOR UK ONLY**WARNING - THIS APPLIANCE MUST BE EARTHED.****Important:**

This apparatus is supplied with an approved moulded 13A plug. To change a fuse in this type of plug proceed as follows:

1. Remove fuse cover and fuse.
2. Fit new fuse which should be a BS 1362 5A, A.S.T.A. or BSI approved type.
3. Refit the fuse cover.

If the fitted plug is not suitable for your socket outlets, it should be cut off and an appropriate 3-pin plug fitted in its place.

If the mains plug contains a fuse, this should have a value of 5A. If a plug without a fuse is used, the fuse at the distribution board should not be greater than 5A.

Note: The severed plug must be destroyed to avoid a possible shock hazard should it be inserted into a 13A socket elsewhere.

How to connect a plug

The wires in the mains lead are coloured in accordance with the following code:

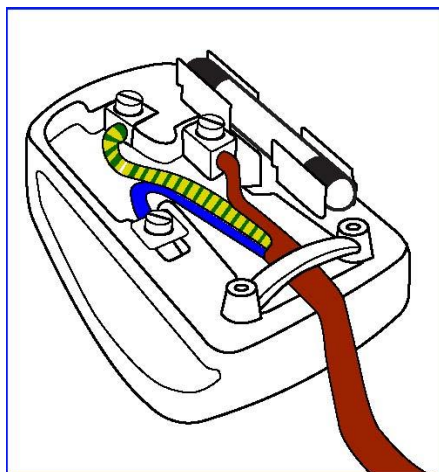
BLUE - "NEUTRAL" ("N")

BROWN - "LIVE" ("L")

GREEN & YELLOW - "EARTH" ("E")

1. The GREEN AND YELLOW wire must be connected to the terminal in the plug which is marked with the letter "E" or by the Earth symbol or coloured GREEN or GREEN AND YELLOW.
2. The BLUE wire must be connected to the terminal which is marked with the letter "N" or coloured BLACK.
3. The BROWN wire must be connected to the terminal which marked with the letter "L" or coloured RED.

Before replacing the plug cover, make certain that the cord grip is clamped over the sheath of the lead - not simply over the three wires.



NORTH EUROPE (NORDIC COUNTRIES) INFORMATION

Placering/Ventilation

VARNING:

FÖRSÄKRA DIG OM ATT HUVUDBRYTARE OCH UTTAG ÄR LÄTÅTKOMLIGA, NÄR DU STÄLLER DIN UTRUSTNING PÅPLATS.

Placering/Ventilation

ADVARSEL:

SØRG VED PLACERINGEN FOR, AT NETLEDNINGENS STIK OG STIKKONTAKT ER NEMT TILGÆNDELIGE.

Paikka/Ilmankierto

VAROITUS:

SIJOITA LAITE SITEN, ETTÄ VERKKOJOHTO VOIDAAN TARVITTAESSA HELPOSTI IRROTTAA PISTORASIESTA.

Plassering/Ventilasjon

ADVARSEL:

NÅR DETTE UTSTYRET PLASSERES, MÅ DU PASSE PÅ AT KONTAKTENE FOR STØMTILFØRSEL ER LETTE Å NÅ.

END-OF-LIFE DISPOSAL

Your new TV/Monitor contains materials that can be recycled and reused. Specialized companies can recycle your product to increase the amount of reusable materials and to minimize the amount to be disposed of.

Please find out about the local regulations on how to dispose of your old monitor from your local Philips dealer.

(For customers in Canada and U.S.A.)

This product may contain lead and/or mercury. Dispose of in accordance to local-state and federal regulations. For additional information on recycling contact www.eia.org (Consumer Education Initiative)

WASTE ELECTRICAL AND ELECTRONIC EQUIPMENT-WEEE

Attention users in European Union private households



This marking on the product or on its packaging illustrates that, under European Directive 2002/96/EG governing used electrical and electronic appliances, this product may not be disposed of with normal household waste. You are responsible for disposal of this equipment through a designated waste electrical and electronic equipment collection. To determine the locations for dropping off such waste electrical and electronic, contact your local government office, the waste disposal organization that serves your household or the store at which you purchased the product.

Attention users in United States:

Like all LCD products, this set contains a lamp with Mercury. Please dispose of according to all Local, State and Federal Laws. For the disposal or recycling information, contact: www.mygreenelectronics.com or www.eiae.org.



END OF LIFE DIRECTIVES-RECYCLING

Your new TV/Monitor contains several materials that can be recycled for new uses.

Like all LCD products, this set contains a lamp with Mercury, please dispose of according to all Local, State and Federal laws.



As an ENERGY STAR Partner, MMD has determined that this product meets the ENERGY STAR guidelines for energy efficiency.

TABLE OF CONTENTS

1. UNPACKING AND INSTALLATION	9
1.1. UNPACKING	9
1.2. PACKAGE CONTENTS	9
1.3. INSTALLATION NOTES.....	9
1.4. PORTRAIT MOUNTING.....	10
1.5. INSTALLING AND REMOVING STANDS.....	11
1.5.1 How to install stands.....	11
1.5.2 How to remove the stands.....	11
1.5.3 Prevent monitor from falling	12
2. PARTS AND FUNCTIONS.....	13
2.1. FRONT VIEW	13
2.2. REAR VIEW	14
2.3. INPUT/OUTPUT TERMINALS	15
2.4. REMOTE CONTROL	17
2.4.1. GENERAL FUNCTIONS	17
2.4.2. INSERTING THE BATTERIES IN THE REMOTE CONTROL	19
2.4.3. OPERATING RANGE OF THE REMOTE CONTROL.....	19
3. CONNECTIONS TO EXTERNAL EQUIPMENT	20
3.1. USING THE CABLE RETAINER.....	20
3.2. USING THE SWITCH COVER.....	20
3.3. CONNECTING EXTERNAL EQUIPMENT (DVD/VCR/VCD).....	21
3.3.1. USING COMPONENT VIDEO INPUT	21
3.3.2. USING HDMI INPUT	21
3.3.3 USING DisplayPort INPUT.....	22
3.4. CONNECTING A PC	22
3.4.1. USING VGA INPUT	22
3.4.2. USING DVI INPUT	24
3.4.3. USING HDMI INPUT	24
3.4.4. USING DISPLAY PORT INPUT	25
3.5. EXTERNAL AUDIO CONNECTION.....	25
3.5.1. CONNECTING EXTERNAL SPEAKERS.....	25
3.5.2. CONNECTING EXTERNAL AUDIO DEVICE	27
3.6. CONNECTING ANOTHER BDL5571V MONITOR.....	28
4. OSD MENU	29
4.1. NAVIGATING THE OSD MENU.....	29
4.1.1. NAVIGATING THE OSD MENU USING THE REMOTE CONTROL.....	29
4.1.2. NAVIGATING THE OSD MENU USING THE MONITOR'S CONTROL BUTTONS	30
4.2. OSD Menu Overview.....	31
4.2.1. PICTURE MENU	31
4.2.2. SCREEN MENU	34
4.2.3. AUDIO MENU.....	36
4.2.4. PIP MENU.....	38
4.2.5. CONFIGURATION 1 MENU.....	40
4.2.6. CONFIGURATION 2 MENU.....	42
4.2.7. ADVANCED OPTION MENU	43
5. INPUT MODE	49
6. PIXEL DEFECT POLICY	51

6.1. PIXELS AND SUB-PIXELS	51
6.2. TYPES OF PIXEL DEFECTS + DOT DEFINITION	51
6.3. BRIGHT DOT DEFECTS	52
6.4. DARK DOT DEFECTS	52
6.5. PROXIMITY OF PIXEL DEFECTS	52
6.6. PIXEL DEFECT TOLERANCES	52
7. CLEANING AND TROUBLESHOOTING	53
7.1. CLEANING	53
7.2. TROUBLESHOOTING	54
8. TECHNICAL SPECIFICATIONS	55

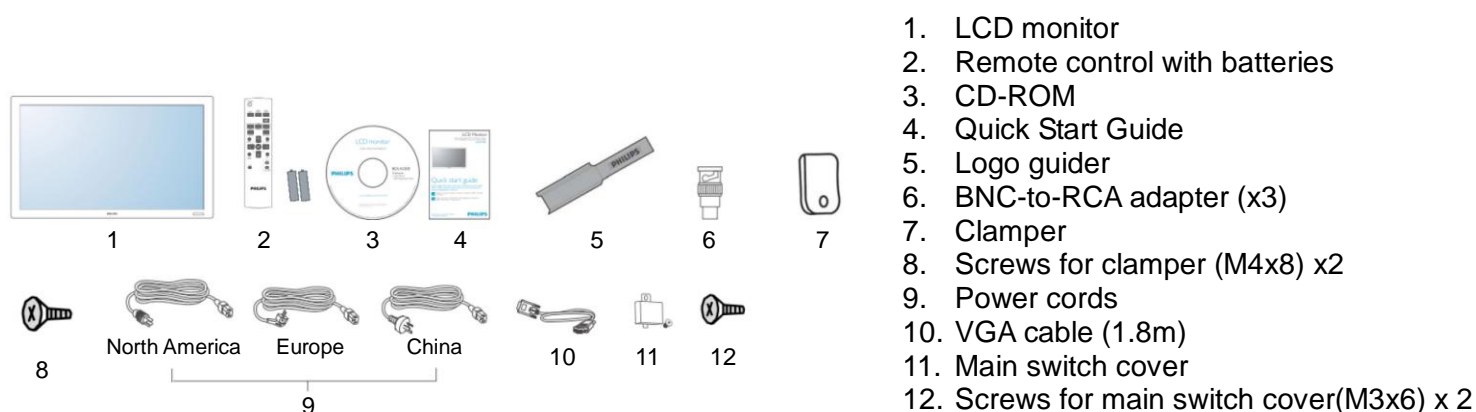
1. UNPACKING AND INSTALLATION

1.1. UNPACKING

- This product is packed in a carton, together with the standard accessories.
- Any other optional accessories will be packed separately.
- The weight of the product differs - depending on the type. Due to the size and weight it is recommended to move it by 2 people.
- After opening the carton, ensure that the content is in good condition and complete.

1.2. PACKAGE CONTENTS

Please verify that you received the following items with your package content:



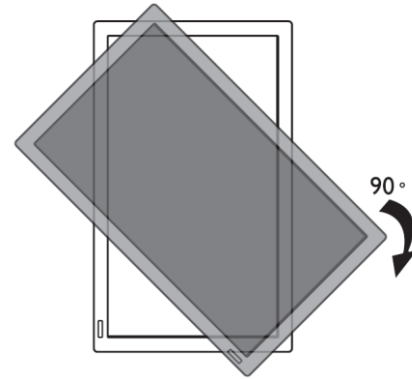
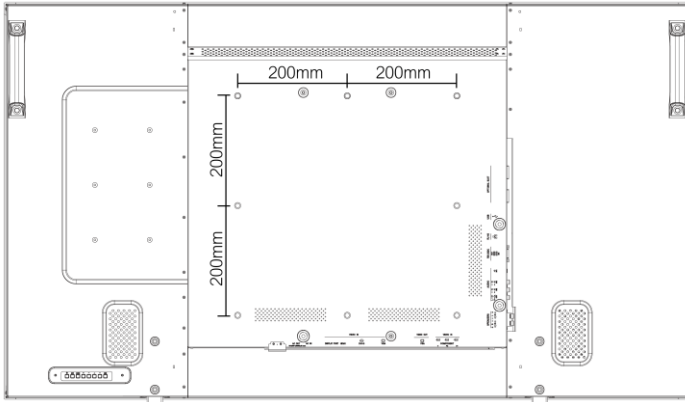
- Please make sure that for all other regions, apply a power cord that conforms to the AC voltage of the power socket and has been approved by and complies with the safety regulations of the particular country.
- You might like to save the package box and packing material for shipping the monitor.
- DVI box and table stands are prepared as options.

1.3. INSTALLATION NOTES

- Due to the high power consumption, always use the plug exclusively designed for this product. If an extended line is required, please consult your service agent.
- The product should be installed on a flat surface to avoid tipping. The distance between the back of the product and the wall should be maintained for proper ventilation. Avoid installing the product in the kitchen, bathroom or any other places with high humidity so as not to shorten the service life of the electronic components.
- The product can normally operate only under 4000m altitude. It might abnormally function in locations over 4000m altitude ~~and so~~ do not install and operate there.

1.4. PORTRAIT MOUNTING

Wall mounting holes



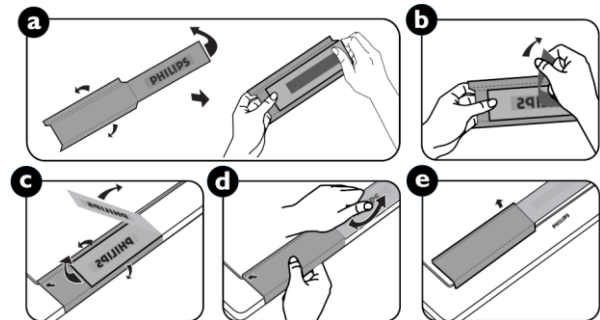
Notes:

- Metric 8 (12mm) screws are needed for wall mounting (not included).
- The mounting interface should comply with the UL1678 standard in North America. The mounting means should **be** strong enough to bear the weight of the monitor (approx. 38.7 kg without stand).

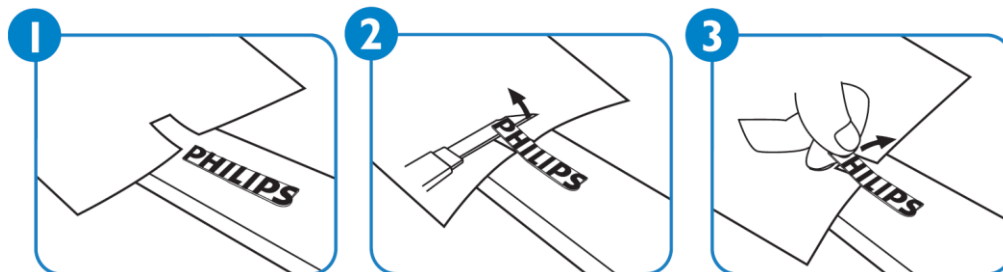
Note: The remote control sensor should be on the lower side when rotating your monitor.

How to use the Logo Guider for Portrait Mode?

- Before applying, make sure that the guider is in good condition. Fold the "PHILIPS" logo back in at the end of the guider.
- Peel off the back side of the protective film from the logo.
- Adjust the logo guider to align it with the long side of the front bezel and press the guider with your hand.
- Keep pressing the guider with your one hand and use the other hand to fold the logo out. Make sure that the logo is aligned with the front short bezel. Press firmly and repeatedly on the logo to make the logo stick tight on the front bezel.
- Remove the guider.



How to remove the logo?



Note: When installing the monitor on the wall, please consult a professional technician for proper installing. The manufacturer accepts no liability for installations not performed by a professional technician.

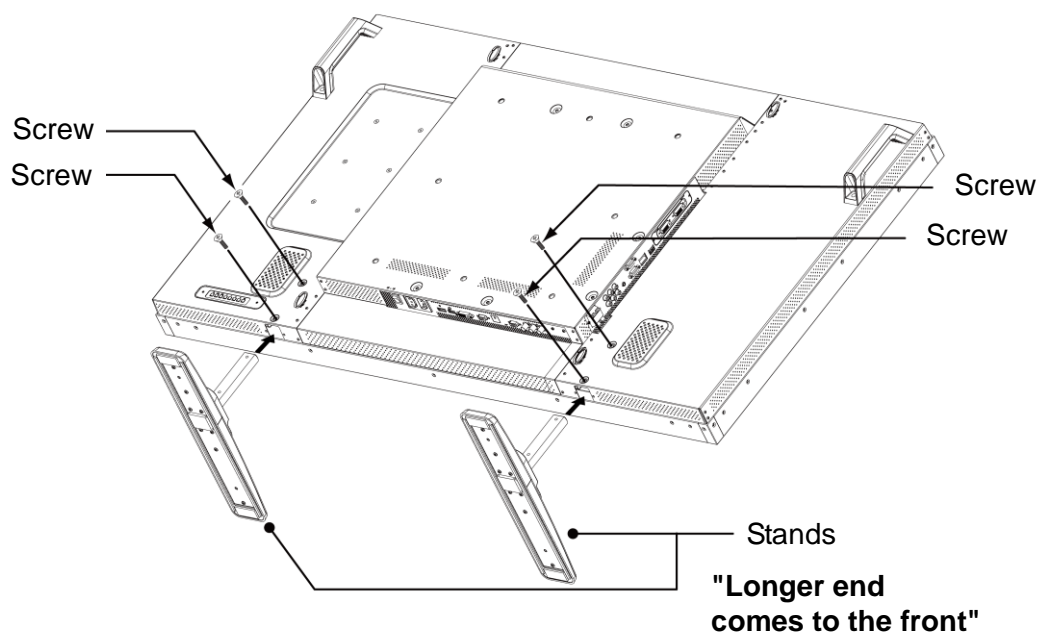
1.5. INSTALLING AND REMOVING STANDS

1.5.1 How to install stands

1. Please turn the monitor off.
2. After inserting the stand in the guide block, tighten the screws on both sides of the monitor.

NOTE:

The long end of the stand should face to the front while installing.



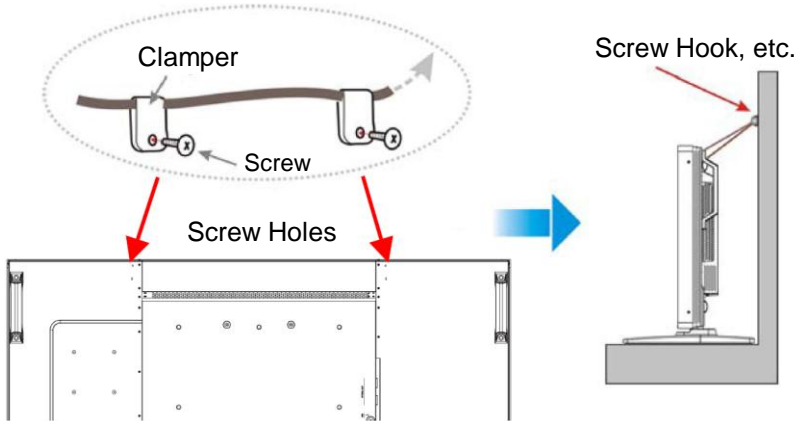
1.5.2 How to remove the stands

1. Spread the protective sheet on a flat surface.
2. Place the monitor face-down on a protective sheet.
3. Remove screws using a screwdriver and place them in a safe place for reuse.

1.5.3 Prevent monitor from falling

To prevent the monitor from tipping in the event of an earthquake or other incident, please follow these steps.

As shown in the figure below, secure the monitor to a solid wall or pillar using a cord which is strong enough to bear the weight of the monitor (BDL5571V: approx. 47.5 kg). Screw hooks (ring type) are recommended.

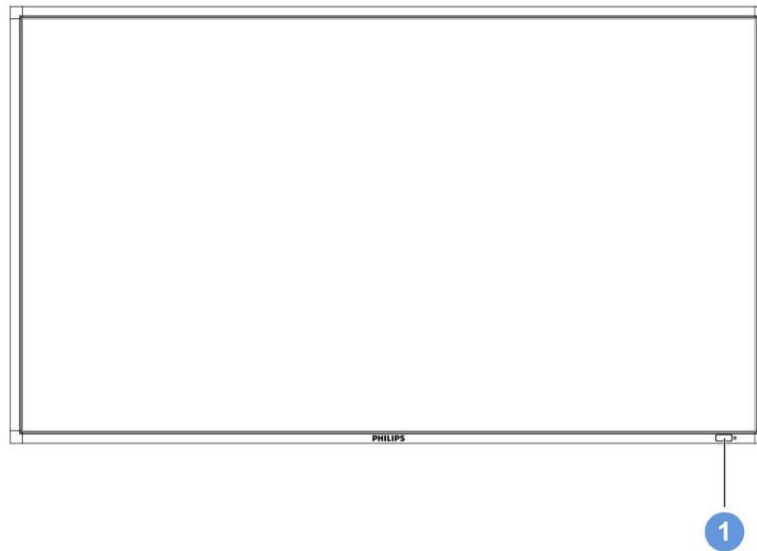


Caution:

- Although the above method is recommended, it is not guaranteed that the monitor will not tilt over.
- Before moving the monitor, remove the cord first.

2. PARTS AND FUNCTIONS

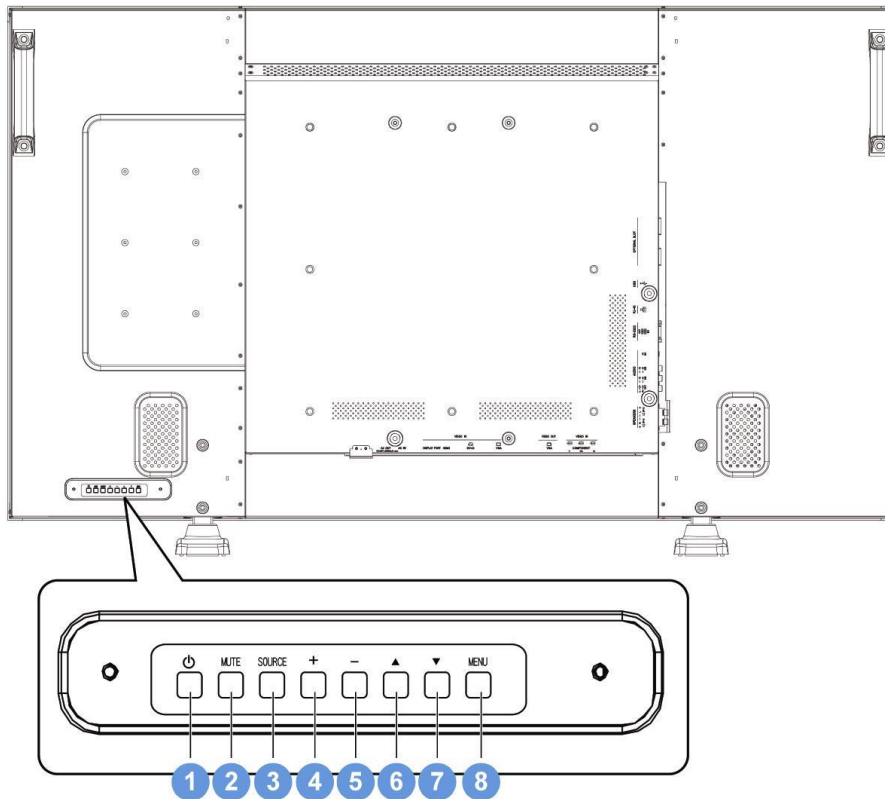
2.1. FRONT VIEW



1. Remote control sensor, ambient light sensor and power status indicator

- Receives command signals from the remote control.
- Detects the ambient lighting condition around the monitor and the image brightness will be auto adjusted when "LIGHT SENSOR" set to "ON" on OSD menu.
- Indicates the operating status of the monitor:
 - lights green when the monitor is turned on
 - lights red when the monitor is in standby mode
 - lights amber when the monitor enters DPMS mode
 - When SCHEDULE is enabled, it would blink green and red
 - If the indicator blinks red, it tells that a failure is detected
 - Off when the main power of the monitor is turned off

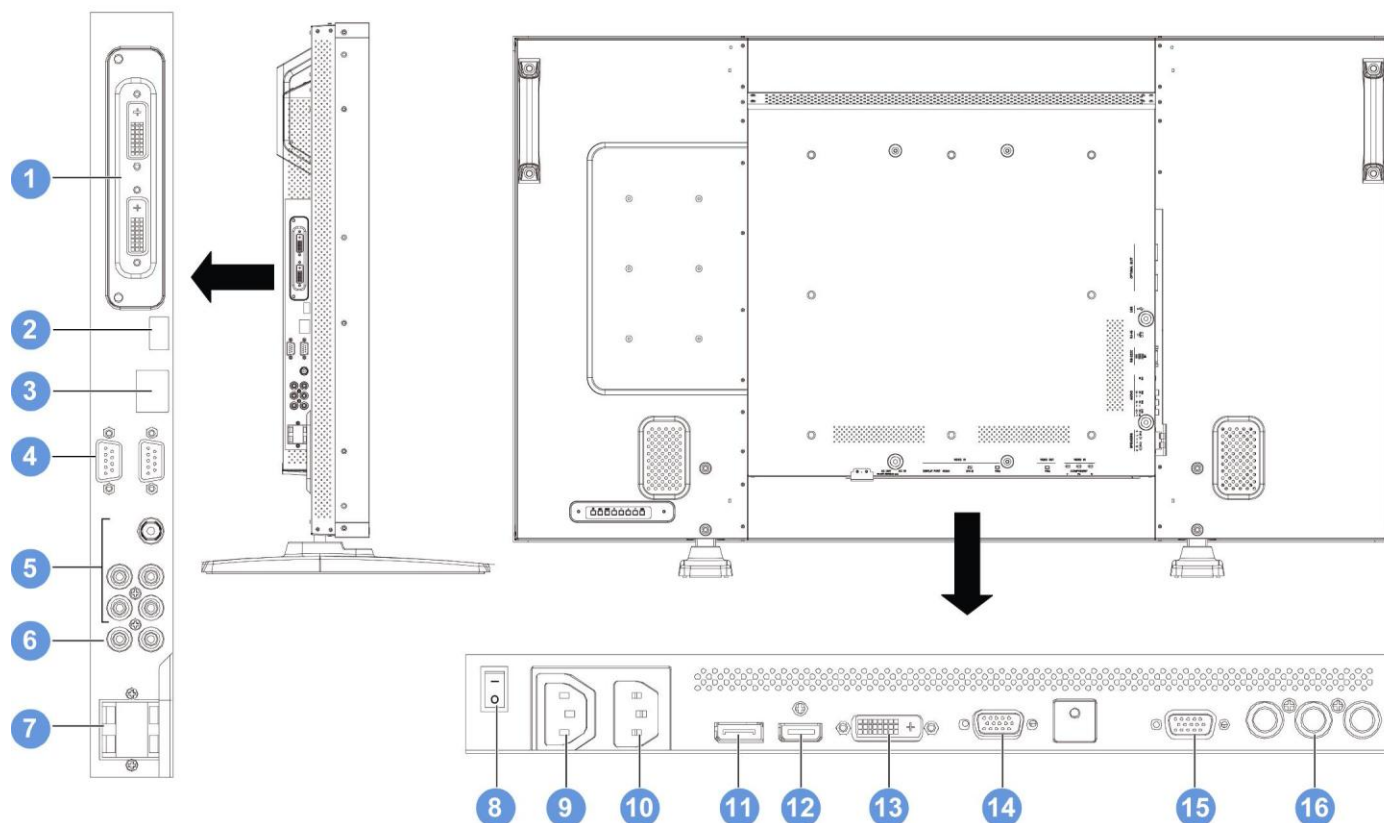
2.2. REAR VIEW



- 1. POWER button (⏻)**
To switch the power on or put the monitor to standby.
- 2. MUTE button**
To switch the audio mute ON/OFF.
- 3. SOURCE button**
To set the function while OSD menu is on or to activate input selection menu while OSD menu is off.
- 4. PLUS (+) button**
To increase the adjustment while OSD menu is on, or to decrease the audio output level while the OSD menu is off.
- 5. MINUS (-) button**
To decrease the adjustment while OSD menu is on, or to decrease the audio output level while the OSD menu is off.
- 6. UP (▲) button**
To move the highlight bar up to adjust the selected item while OSD menu is on.
- 7. DOWN (▼) button**
To move the highlight bar down to adjust the selected item while OSD menu is on.
- 8. MENU button**
To return to previous menu while OSD menu is on or to activate the OSD menu when the OSD menu is off.

Note: Keyboard Control Lock Mode This function completely disables the access to all Keyboard Control functions. To enable the keyboard control lock, press both of “▲” and “▼” buttons and hold down continuously for more than 3 seconds. To recover back to the user mode, press both of “▲” and “▼” and hold continuously for three 3 seconds.

2.3. INPUT/OUTPUT TERMINALS



1. OPTIONAL SLOT

Slot for installed optional module e.g. optional DVI module.

2. USB

For technical support only.

3. RJ-45

LAN control function for the use of remote control signal from control center.

4. RS232C (OUT/IN)

RS232C network connection input/output for the use of loop through function.

5. AUDIO IN (AUDIO1/AUDIO2/ AUDIO3)

Connect to the audio output of a computer or an AV device.

6. AUDIO OUT R/L

Outputs the audio signal from the **AUDIO IN (AUDIO1/AUDIO2/AUDIO3)** or **HDMI** jack.

7. SPEAKERS R/L

Outputs the audio signal from the **AUDIO IN (AUDIO1/AUDIO2/AUDIO3)** or **HDMI** jack to external speakers.

8. Main power switch

Press to switch the main power on/off.

9. AC OUT

Connect to ~~the AC IN socket of another BDL5571V monitor or~~ an external media device. (Rating : 100~240Vac, 50-60Hz, 3A Max.)

10. AC IN

Connect the supplied power cord to the wall outlet.

11. DISPLAY PORT

Connect to the DisplayPort output of a PC or an AV device.

12. VIDEO IN (HDMI)

Connect to the HDMI output of an AV device or connect to the DVI-D output of a PC. (Using a DVI-HDMI cable)

13. VIDEO IN (DVI-D)

Connect to the DVI-D output of a PC or connect to the HDMI output of an AV device (Using a DVI-HDMI cable).

14. VGA IN

Connect to the VGA output of a computer.

15. VGA OUT

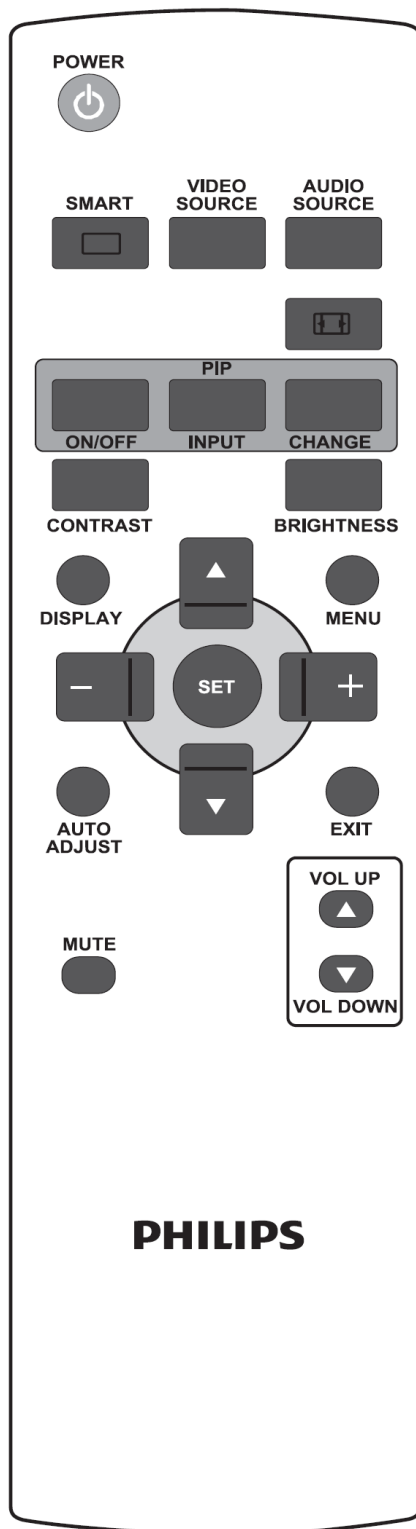
Outputs the VGA signal from the **VGA IN** jack.

16. VIDEO IN (COMPONENT)

Component video input (YPbPr) for connecting to the component output of an AV device.

2.4. REMOTE CONTROL

2.4.1. GENERAL FUNCTIONS



POWER



POWER button

Press to switch on the monitor from standby mode. Press again to turn it off to standby mode.

SMART



SMART button

To select smart picture mode from:

- **Standard**: for images (factory setting)
- **Highbright**: for moving image such as Video
- **sRGB**: for text based images

VIDEO SOURCE



VIDEO SOURCE button

To activate the video source selection menu. Press it repeatedly to select the video input source from **DP**, **DVI-D**, **VGA**, **HDMI** and **Component**.

AUDIO SOURCE



AUDIO SOURCE button

To activate the audio source selection menu. Press it repeatedly to select the audio input source from **HDMI**, **AUDIO1**, **AUDIO2**, and **AUDIO3**.



Picture format button

To switch screen aspect ratio between

PC signal: **Full**, **Normal**, **Custom** and **Real**.

Video signal: **Full**, **Normal**, **Dynamic**, **Custom** and **Real**.

PIP (Picture In Picture) buttons



ON/OFF

ON/OFF button: To turn PIP mode ON/OFF.



INPUT

INPUT button: To select the input signal for the sub-picture.



CHANGE

CHANGE button: To exchange between the main picture and sub picture.



CONTRAST

CONTRAST button

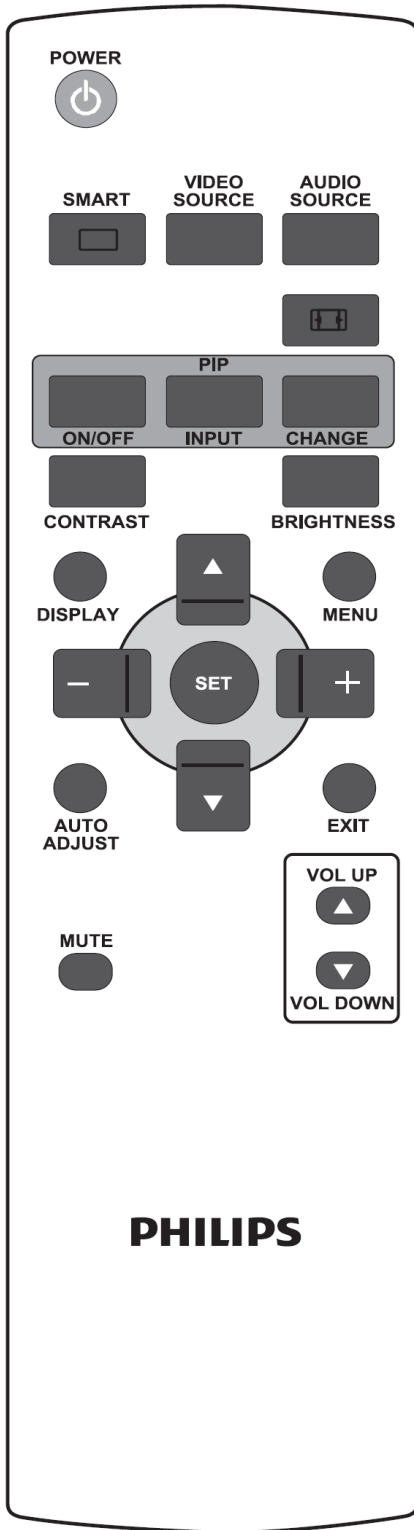
Press to open the **Contrast** OSD selection, and then press the **PLUS** or **MINUS** button to adjust the value.



BRIGHTNESS

BRIGHTNESS button

Press to open the **Brightness** OSD selection, and then press the **PLUS** or **MINUS** button to adjust the value.



DISPLAY button
DISPLAY
 To turn on/off the information OSD displayed on the upper right corner of the screen.

MENU button
MENU
 To turn the OSD menu on/off.

UP button
▲

- To move the highlight bar up to adjust the selected item when OSD menu is on.
- To move the sub-picture up in “PIP” mode.

DOWN button
▼

- To move the highlight bar down to adjust the selected item when OSD menu is on.
- To move the sub-picture down in “PIP” mode.

PLUS button
+

- To move the highlight bar right to the 1st or 2nd submenu when OSD menu is on.
- To increase the adjustment with OSD menu.
- To move the sub-picture right in “PIP” mode.

MINUS button
-

- To move the highlight bar left to the 1st submenu or main menu when OSD menu is on.
- To decrease the adjustment with OSD menu.
- To move the sub-picture left in “PIP” mode.

SET button
SET
 To activate the setting with OSD menu.

AUTO ADJUST button
AUTO ADJUST
Note: For the VGA input only.
 To execute the **AUTO ADJUST** function.

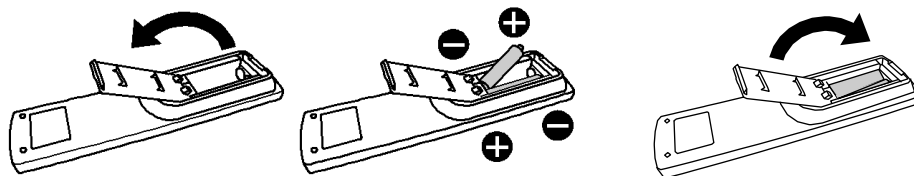
EXIT button
EXIT
 To turn to the previous OSD menu.

MUTE button
MUTE
 To turn the mute function on/off.

VOL UP button
VOL UP
▲
 To increase the audio output level.

VOL DOWN button
VOL DOWN
▼
 To decrease the audio output level.

2.4.2. INSERTING THE BATTERIES IN THE REMOTE CONTROL



The remote control is powered by 1.5V AAA batteries. To install or replace batteries:

1. Press and slide to open the cover.
2. Align the batteries according to the (+) and (-) indications inside the case.
3. Replace the cover.

Caution:

Incorrect use of batteries can result in leaks or bursting. Be careful especially about the following points.

- Place “AAA” batteries matching the + and - signs on each battery to the + and - signs of the battery compartment.
- Do not mix battery types.
- Do not combine new batteries with used ones. It causes shorter battery life or leakage of batteries.
- Remove dead batteries immediately to prevent battery liquid from leaking into the battery compartment. Don't touch exposed battery acid, it cause damage to your skin.

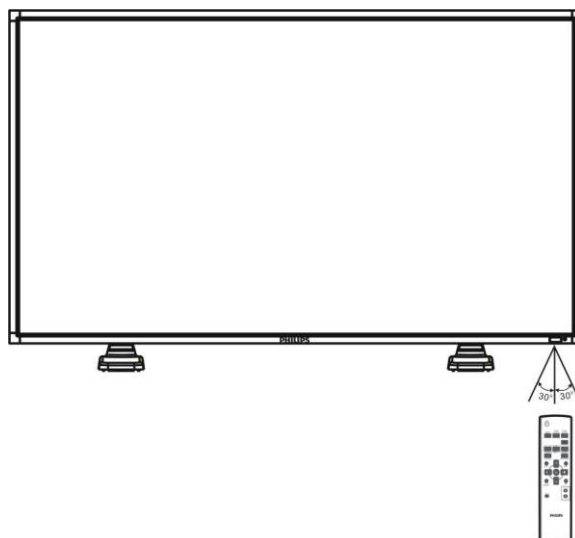
Note:

If you do not intend to use the Remote Control for a long period, remove the batteries.

2.4.3. OPERATING RANGE OF THE REMOTE CONTROL

Point the top of the remote control toward the monitor's remote control sensor when pressing a button.

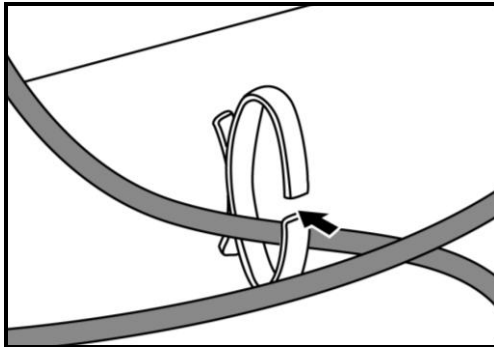
Use the remote control within a distance of about 10m/33ft from the monitor's remote control sensor and within a horizontal and vertical angle of 30 degrees.



Note: The remote control may not function properly when the remote control sensor on the monitor is under direct sunlight or strong illumination, or when there is an obstacle in the path of signal transmission.

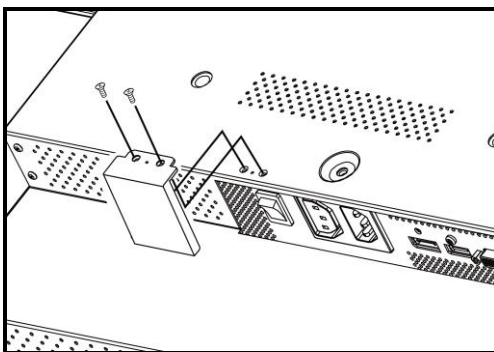
3. CONNECTIONS TO EXTERNAL EQUIPMENT

3.1. USING THE CABLE RETAINER



3.2. USING THE SWITCH COVER

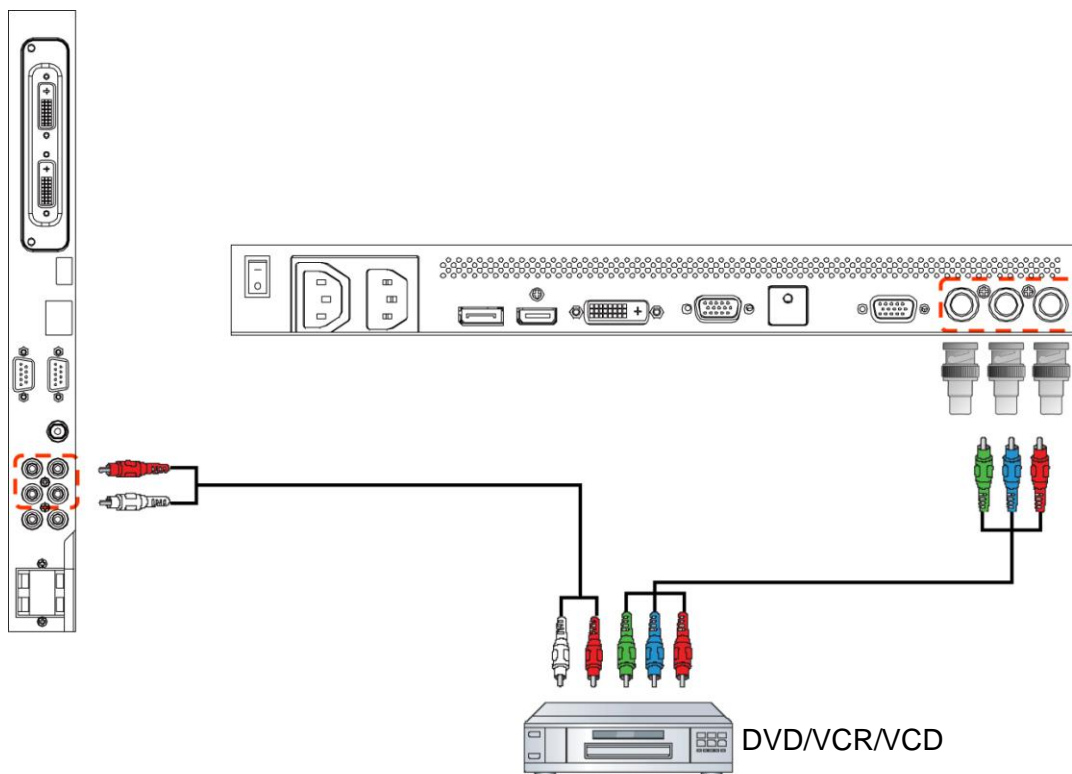
You can use the switch cover to prevent the monitor from being turned on or off accidentally.



3.3. CONNECTING EXTERNAL EQUIPMENT (DVD/VCR/VCD)

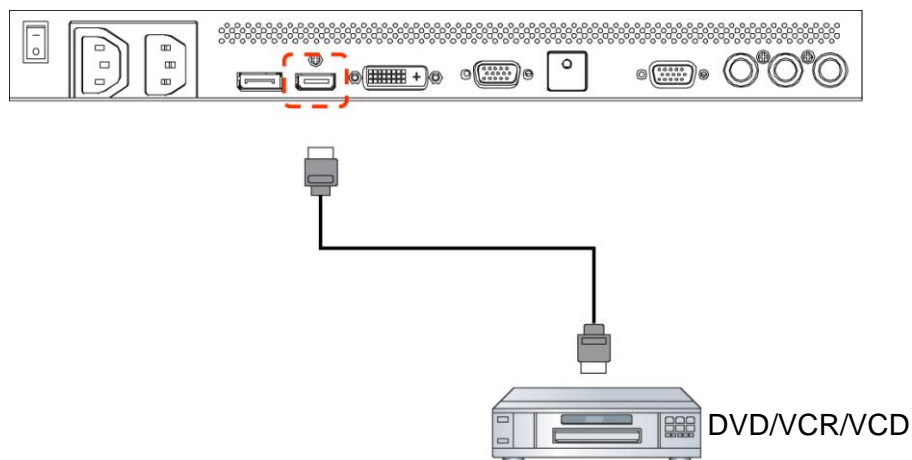
3.3.1. USING COMPONENT VIDEO INPUT

1. Connect the green-colored (labeled as "Y") jack of the device to the green-colored "Y" jack of the monitor.
2. Connect the blue-colored (labeled as "Pb") jack of the device to the blue-colored "Pb" jack of the monitor.
3. Connect the red-colored (labeled as "Pr") jack of the device to the red-colored "Pr" jack of the monitor.
4. Connect the red (R) and white (L) audio jacks of the device to the AUDIO IN (AUDIO2 or AUDIO3) jacks of the monitor.



3.3.2. USING HDMI INPUT

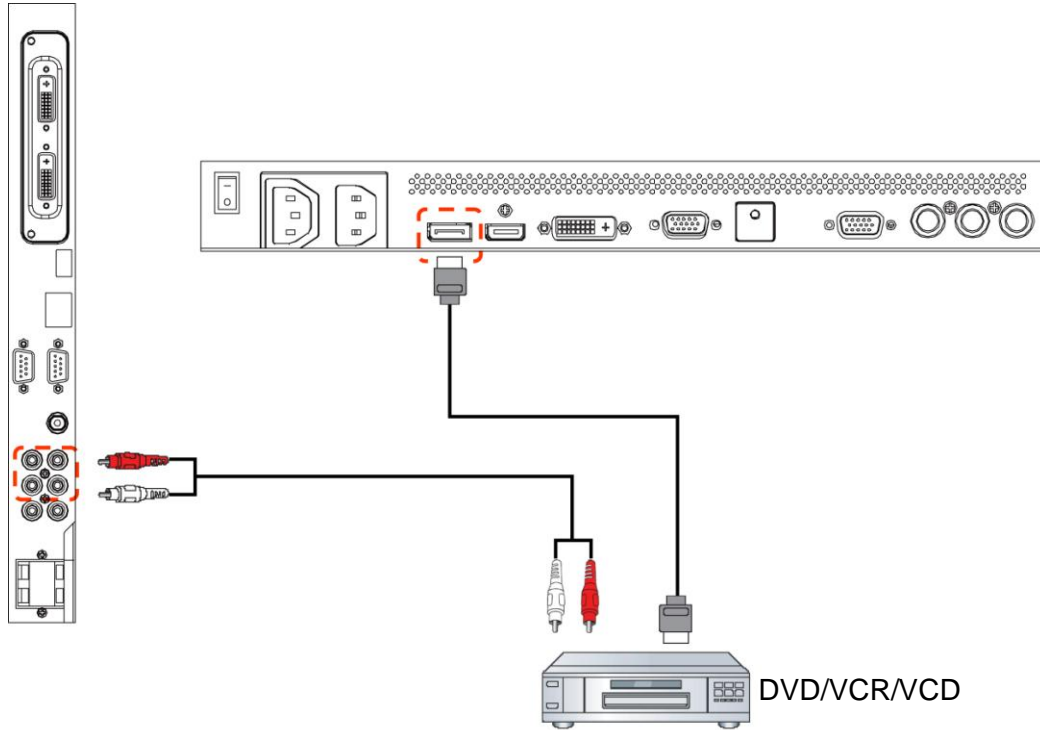
Connect the HDMI connector of the external device to the HDMI input of the monitor.



3.3.3 USING DisplayPort INPUT

Connect the DisplayPort connector of the external device to the DisplayPort input of the monitor.

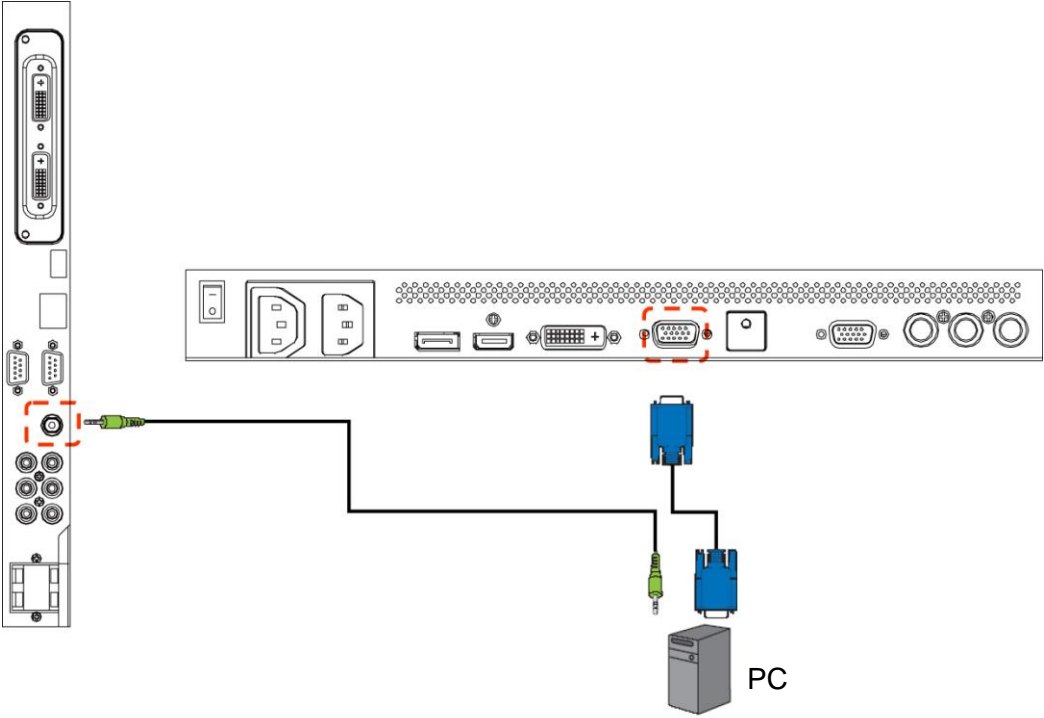
Allen: You might want to remove the audio connection from the drawing below because like HDMI cable, DP cable carries audio besides video. No audio connection is required.



3.4. CONNECTING A PC

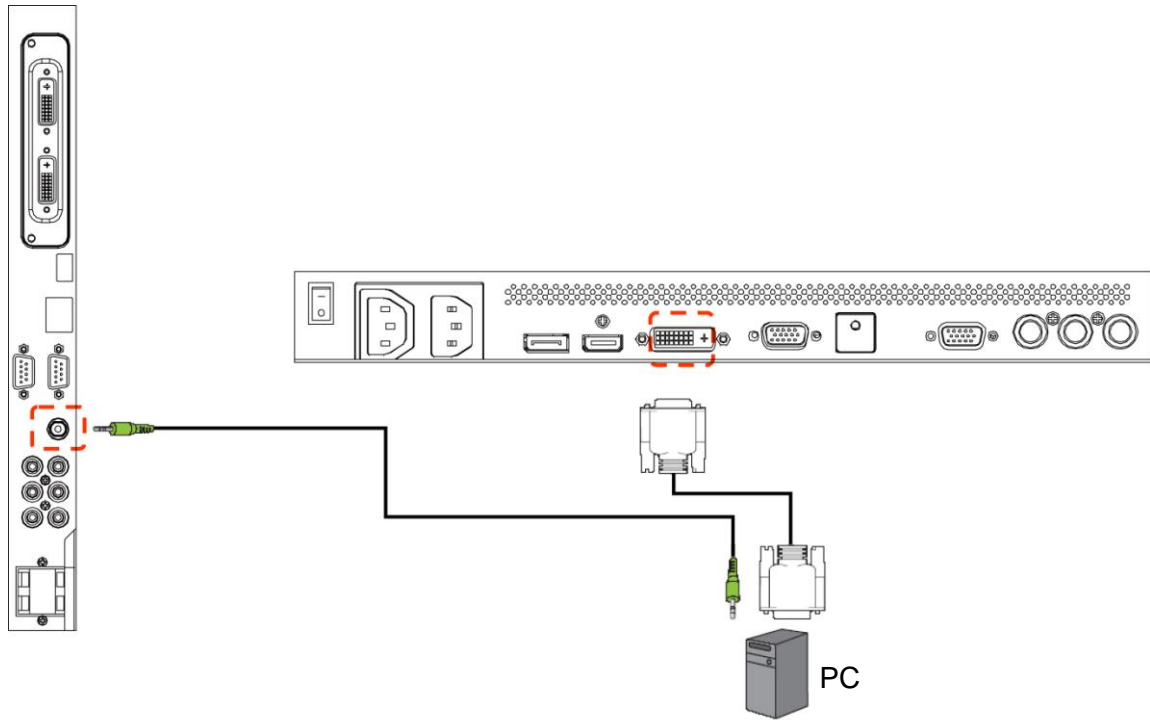
3.4.1. USING VGA INPUT

1. Connect the 15-pin VGA connector of the PC to the VGA IN connector of the monitor.
2. Connect the audio cable to the AUDIO IN (AUDIO1) input of the monitor.



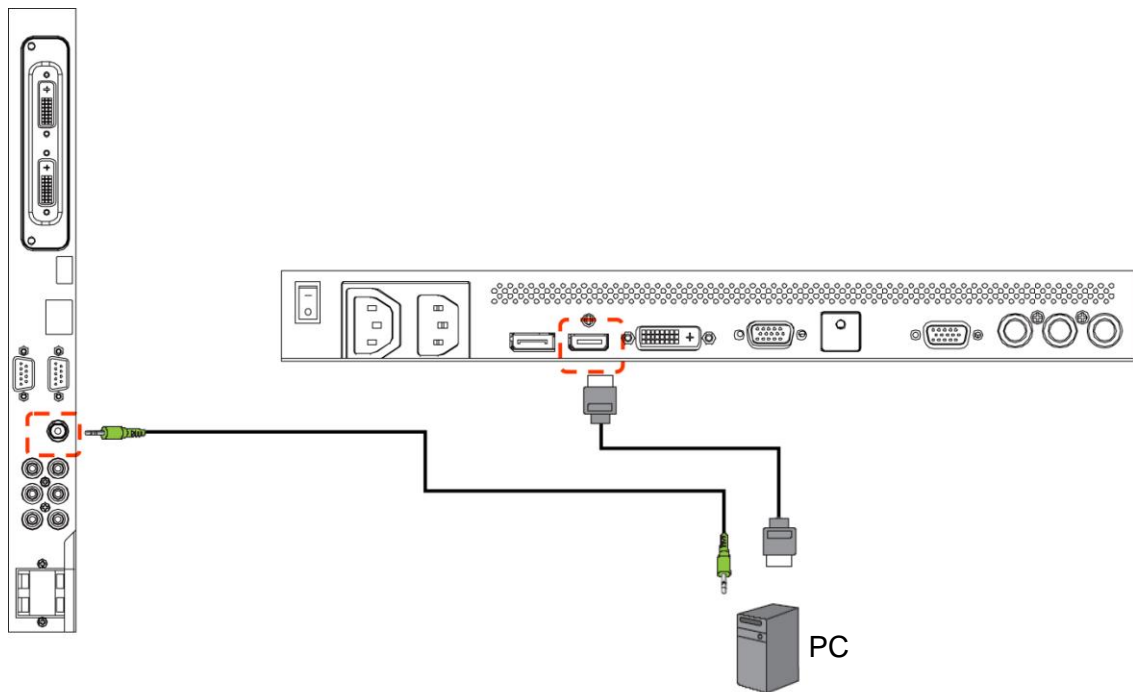
3.4.2. USING DVI INPUT

1. Connect the DVI-D connector of the PC to the DVI-D connector of the monitor.
2. Connect the audio cable to the AUDIO IN (AUDIO1) input of the monitor.



3.4.3. USING HDMI INPUT

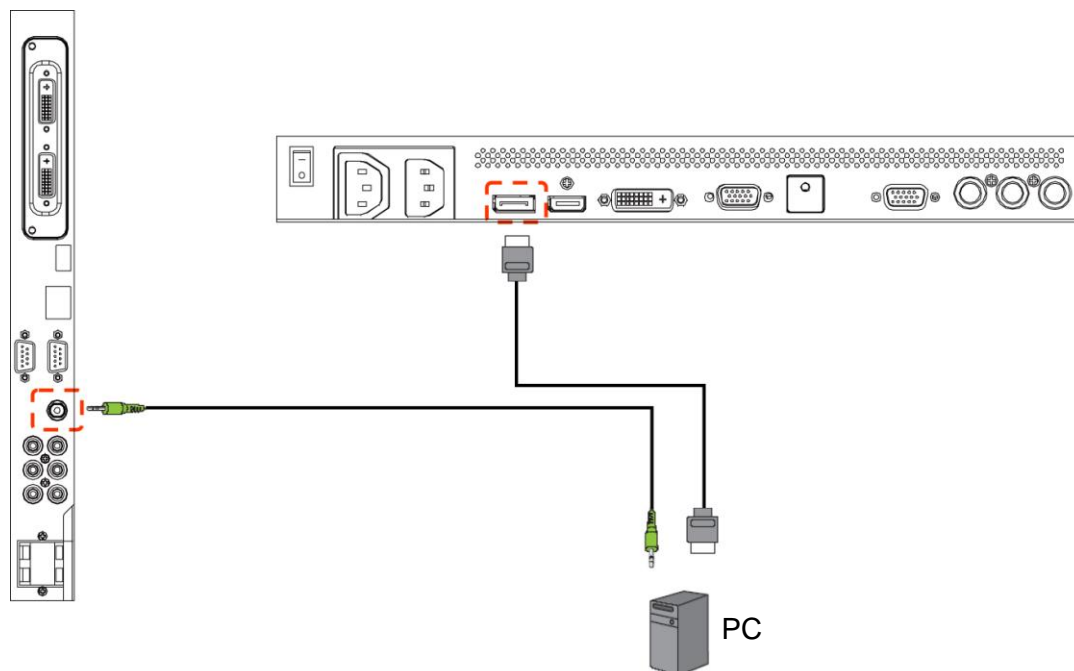
1. Connect the DVI-D connector of the PC to the HDMI connector of the monitor.
2. Connect the audio cable to the AUDIO IN (AUDIO1) input of the monitor.



3.4.4. USING DISPLAY PORT INPUT

1. Connect the DisplayPort connector of the PC to the DisplayPort connector of the monitor.
2. Connect the audio cable to the AUDIO IN (AUDIO1) input of the monitor.

Allen: You might want to remove the audio connection from the drawing because like HDMI cable, DP cable carries audio besides video. No audio connection is required.

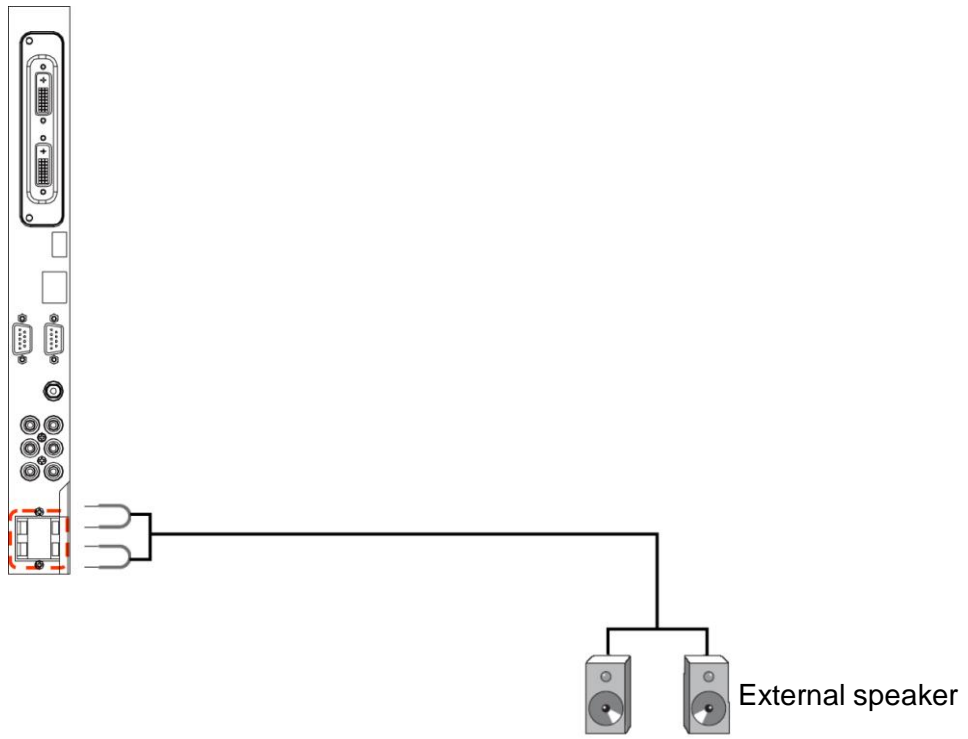


3.5. EXTERNAL AUDIO CONNECTION

3.5.1. CONNECTING EXTERNAL SPEAKERS

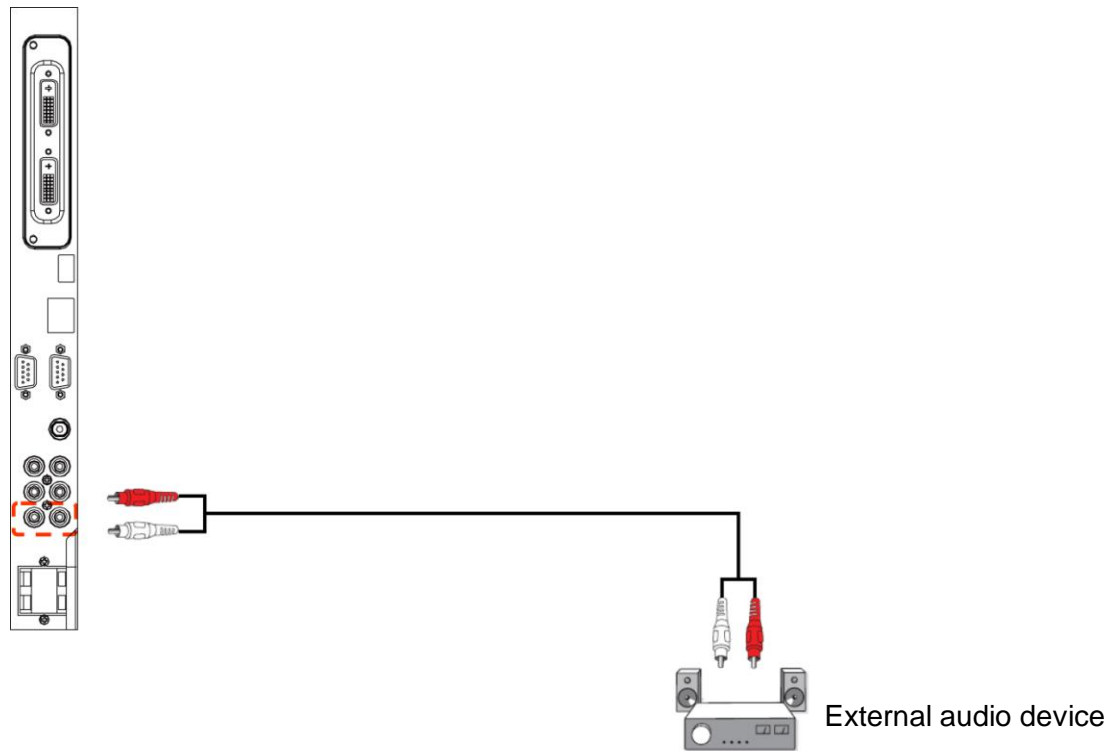
1. Connect the speaker wires to the external speaker (SPEAKERS) output of the monitor.
2. Turn on the monitor.

Note: Before connecting the speaker wires to the monitor, turn off your monitor.



3.5.2. CONNECTING EXTERNAL AUDIO DEVICE

Connect the red (R) and white (L) audio jacks of the external audio device to the AUDIO OUT R/L jacks of the monitor.

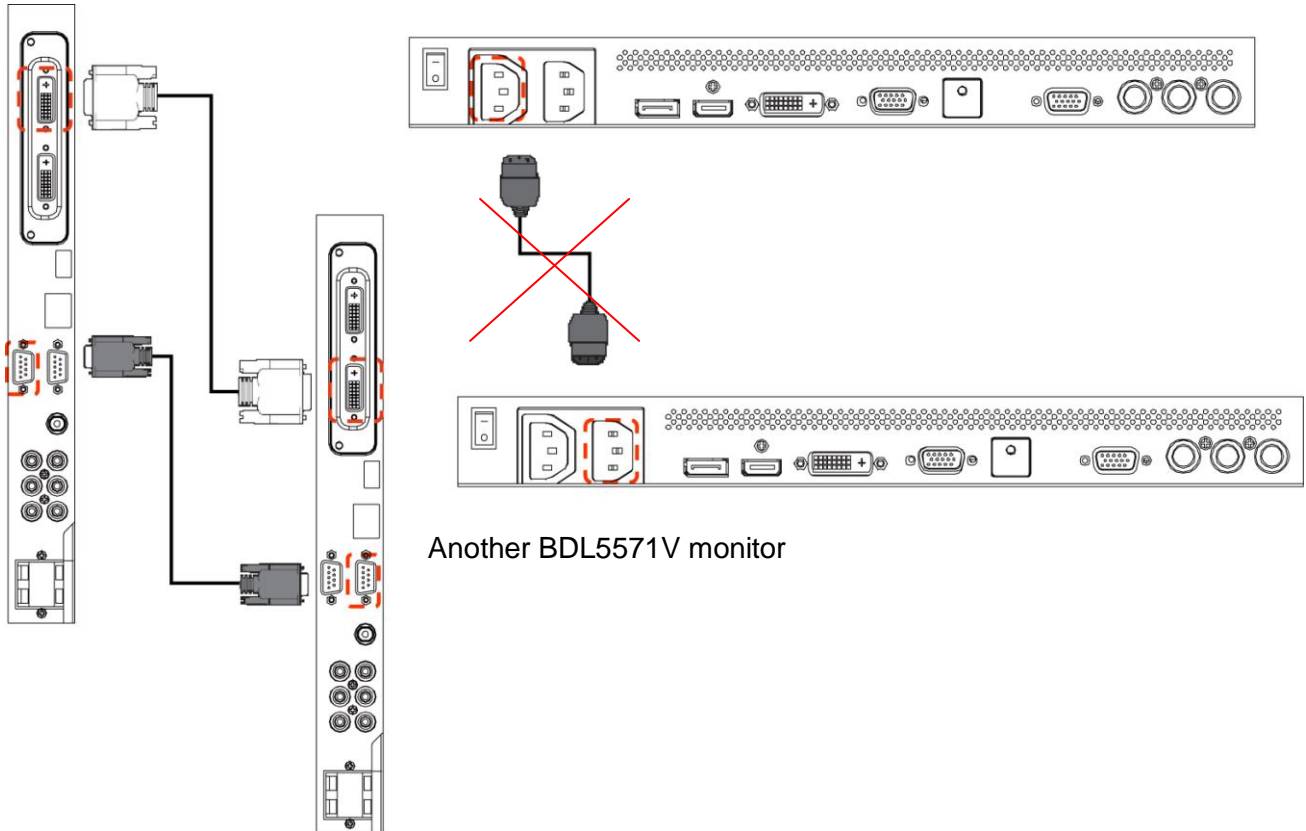


3.6. CONNECTING ANOTHER BDL5571V MONITOR

You can interconnect multiple BDL5571V monitors to create a daisy-chain configuration for applications like a TV wall.

Note: Maximum 9 displays ~~that~~ can be used in a daisy-chain configuration, using the optional DVI Modules.

- Connect the DVI-D OUT connector of the ~~monitor~~ optional DVI Module to the DVI-D IN connector of another ~~BDL5571V monitor~~ optional DVI Module.
- Connect the RS232C OUT connector of the monitor to the RS232C IN connector of another BDL5571V monitor.
- **Do not** connect the AC OUT connector of the monitor to the AC IN connector of another BDL5571V monitor. **All the monitors in the daisy-chain must connect to AC outlets on the wall.**

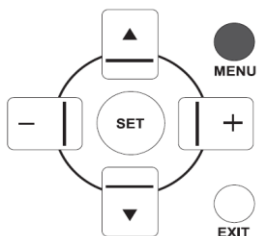


4. OSD MENU

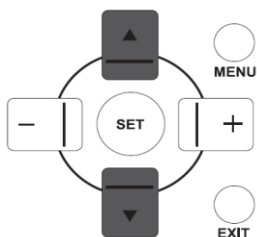
An overall view of the On-Screen Display (OSD) structure is shown below. You can use it as a reference for further adjusting your monitor.

4.1. NAVIGATING THE OSD MENU

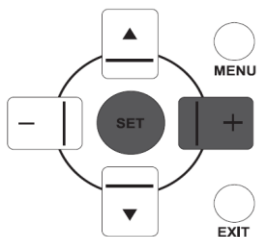
4.1.1. NAVIGATING THE OSD MENU USING THE REMOTE CONTROL



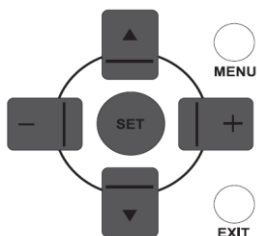
1. Press the **MENU** button on the remote control to display the OSD menu.



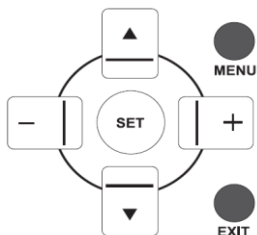
2. Press the **UP/DOWN** button to choose the item you want to adjust.



3. Press the **PLUS/SET** button to enter the submenu.

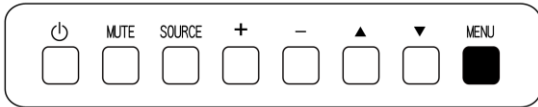


4. In the submenu, press the **UP/DOWN** button to toggle between items, or press **PLUS/MINUS** button to adjust settings. If there is a submenu, press the **SET/PLUS** button to enter the submenu.

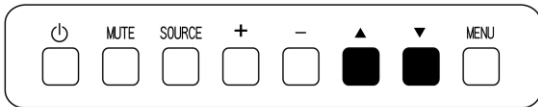


5. Press the **EXIT** button on the remote control to return to the previous menu, or press the **MENU** button to exit the OSD menu.

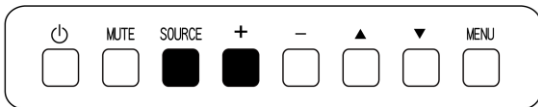
4.1.2. NAVIGATING THE OSD MENU USING THE MONITOR'S CONTROL BUTTONS



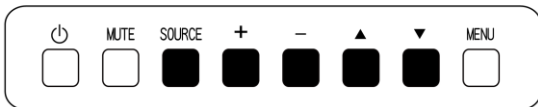
1. Press the **MENU** button to display the OSD menu.



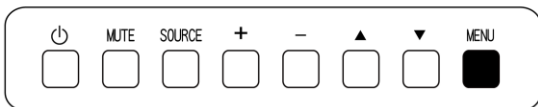
2. Press the **▲/▼** button to choose the item you want to adjust.



3. Press the **SOURCE** or **PLUS** button to enter the submenu.



4. In the submenu, press the **▲/▼** button to toggle between items, or press **PLUS/MINUS** button to adjust settings. If there is a submenu, press the **SOURCE** or **PLUS** button to enter the submenu.



5. Press the **MENU** button to return to the previous menu, or press the **MENU** button several times to exit the OSD menu.

4.2. OSD Menu Overview

4.2.1. PICTURE MENU



Brightness

Adjust the overall image brightness by changing the intensity of the LCD panel's backlight.

Press the **SET/PLUS** button to open the submenu, and then press the **PLUS/MINUS** button to adjust.

Contrast

Adjust to sharpen the picture quality. The black portions of the picture become richer in darkness and the white become brighter.

Press the **SET/PLUS** button to open the submenu, and then press the **PLUS/MINUS** button to adjust.

Sharpness

Adjust to improve detail.

Press the **SET/PLUS** button to open the submenu, and then press the **PLUS/MINUS** button to adjust.

Black level

Adjust to change the image brightness.

Press the **SET/PLUS** button to open the submenu, and then press the **PLUS/MINUS** button to adjust.

Noise reduction

Adjust to remove the noise in the image. You can select a suitable noise reduction level.

Press the **SET/PLUS** button to open the submenu, and then press the **UP/DOWN** button to toggle between

- Off
- Middle
- Low
- High

Tint

Note: For HDMI-Video timing, DVI-D(HD timing), DP(HD timing) and YPbPr inputs only.

Adjust to change the color tint of the image.

Press the **SET/PLUS** button to open the submenu, and then press the **PLUS/MINUS** button to adjust. Press the **PLUS** button and the tone color becomes greenish. Press the **MINUS** button and the tone color becomes purplish.

Color

Note: For HDMI-Video timing, DVI-D(HD timing), DP(HD timing) and YPbPr inputs only.

Adjusts to increase or decrease the intensity of colors in the image.

Press the **SET/PLUS** button to open the submenu, and then press the **PLUS/MINUS** button to adjust. Press the **PLUS** button to increase color intensity, or press the **MINUS** button to decrease color intensity.

Color temperature

Select a color temperature for the image. The image looks reddish with a lower color temperature, and looks bluish with a higher color temperature.

Press the **SET/PLUS** button to open the submenu, and then press the **UP/DOWN** button to toggle between

- **5000K**
- **7500K**
- **10000K**
- **User**
- **6500K**
- **9300K**
- **Native**

Color control

Note: This function is only available when Color temperature is set to User.

With this function you can adjust the color tones of the image precisely by changing the R (Red), G (Green) and B (Blue) settings independently.

Press the **SET/PLUS** button to open the submenu. Press the **UP/DOWN** button to select **User-R**, **User-G** or **User-B**, and press the **PLUS/MINUS** button to adjust.

Light sensor

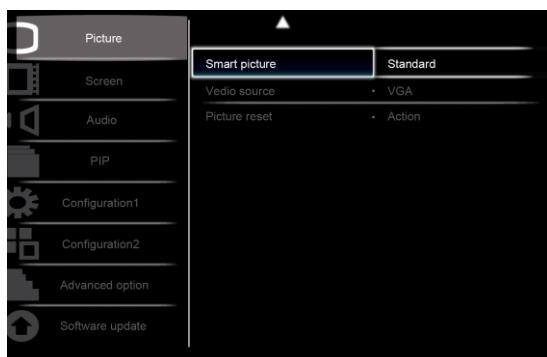
Choose to enable or disable the ambient light sensor. Once enabled, the image brightness will be adjusted automatically when ambient lighting condition changes.

Press the **SET/PLUS** button to open the submenu, and then press the **UP/DOWN** button to make selection.

Smart contrast

When turned on, this function helps enhance image contrast when displaying dark scenes.

Press the **SET/PLUS** button to open the submenu, and then press the **UP/DOWN** button to make selection.



▲▼ Sel + - Adjust SET Enter EXIT Back MENU Quit

Smart picture

The following smart picture modes are available for PC mode: **Standard**, **Highbright** and **sRGB**.

Video mode: **Standard**, **Highbright** and **Cinema**.

Video source

Select a video input source.

Press the **SET/PLUS** button to open the submenu, and then press the **UP/DOWN** button to toggle between

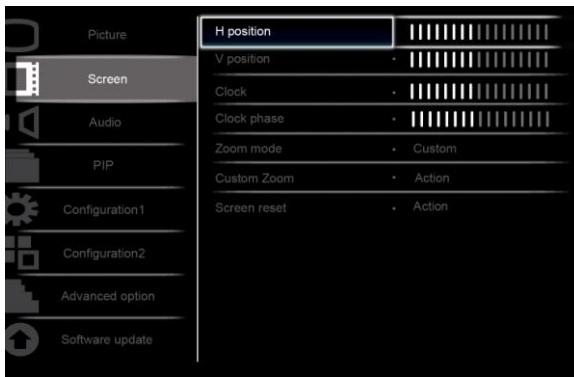
- Display Port • DVI-D
- Card DVI-D • VGA
- HDMI • **YPbPr(Component)**

Picture reset

Reset all settings in the **Picture** menu.

Press the **SET/PLUS** button to open the submenu, and then press the **PLUS/MINUS** button to make selection. Select **Reset** and press the **SET** button to restore settings to factory preset values. Press the **EXIT** button or select **Cancel** and press the **SET** button to cancel and then return to the previous menu.

4.2.2. SCREEN MENU



▲ Sel +/- Adjust SET Enter EXIT Back MENU Quit

H position

Adjust the horizontal placement of the picture.

Press the **SET/PLUS** button to open the submenu, and then press the **PLUS/MINUS** button to adjust. Press the **PLUS** button to move the image to the right, or press the **MINUS** button to move the image to the left.

V position

Adjust the vertical placement of the picture.

Press the **SET/PLUS** button to open the submenu, and then press the **PLUS/MINUS** button to adjust. Press the **PLUS** button to move the image up, or press the **MINUS** button to move the image down.

Clock

Note: For the VGA input only.

Adjust the width of the image.

Press the **SET/PLUS** button to open the submenu, and then press the **PLUS/MINUS** button to adjust. Press the **PLUS** button to expand the width of the image, or press the **MINUS** button to shrink the width of the image.

Clock phase

Note: For the VGA input only.

Adjust to improve the focus, clarity and stability of the image.

Press the **SET/PLUS** button to open the submenu, and then press the **PLUS/MINUS** button to adjust.

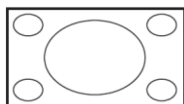
Zoom mode

The pictures you receive may be transmitted in 16:9 format (widescreen) or 4:3 format (conventional screen). 16:9 pictures sometimes have a black band at the top and bottom of the screen (letterbox format).

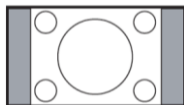
This function allows you to optimize the picture display on screen. The following zoom modes are available for

PC mode: **Full, Normal, Custom, Real** and **21:9**.

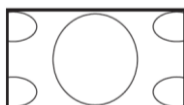
Video mode: **Full, Normal, Dynamic, Custom, Real** and **21:9**.



- **Full** - This mode restores the correct proportions of pictures transmitted in 16:9 using the full screen display.



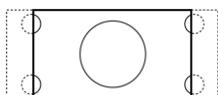
- **Normal** - The picture is reproduced in 4:3 format and a black band is displayed on either side of the picture.



- **Dynamic** - Fill the entire screen by stretching 4:3 pictures non-proportionally.

- **Custom** - Choose to apply the custom zoom settings in the **Custom Zoom** submenu.

- **Real** - This mode displays the image pixel-by-pixel on screen without scaling the original image size.

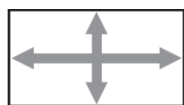


- **21:9** - The picture is enlarged to 16:9 format. This mode is recommended when displaying pictures that have black bands at the top and bottom (letterbox format).

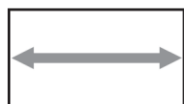
Custom zoom

Note: This item is only available when the Zoom mode setting is set to Custom.

You can use this function to further customize the zoom settings to suit the image you want to display. Press the **SET/PLUS** button to open the submenu. Use the **UP/DOWN** button to toggle between the following items, and use the **PLUS/MINUS** button to adjust.



- **Zoom** - Expands the horizontal and vertical sizes of the image simultaneously.



- **H zoom** - Expands the horizontal size of the image only.



- **V zoom** - Expands the vertical size of the image only.



- **H position** - Moves the horizontal position of the image left or right.



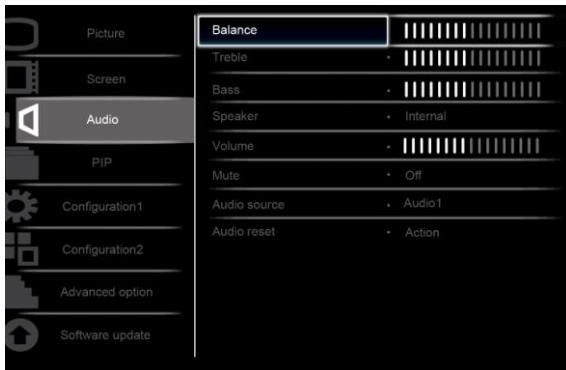
- **V position** - Moves the vertical position of the image up or down.

Screen reset

Reset all settings in the **Screen** menu.

Press the **SET/PLUS** button to open the submenu, and then press the **PLUS/MINUS** button to make selection. Select **Reset** and press the **SET** button to restore settings to factory preset values. Press the **EXIT** button or select **Cancel** and press the **SET** button to cancel and then return to the previous menu.

4.2.3. AUDIO MENU



▲▼ Sel + - Adjust SET Enter EXIT Back MENU Quit

Balance

Adjust to emphasize left or right audio output balance.

Press the **SET/PLUS** button to open the submenu, and then press the **PLUS/MINUS** button to adjust.

Treble

Adjust to increase or decrease higher-pitched sounds.

Press the **SET/PLUS** button to open the submenu, and then press the **PLUS/MINUS** button to adjust.

Bass

Adjust to increase or decrease lower-pitched sounds.

Press the **SET/PLUS** button to open the submenu, and then press the **PLUS/MINUS** button to adjust.

Speaker

Set the monitor to play audio using the built-in (internal) speaker or external speakers.

Use the **UP/DOWN** button to toggle between

- **Internal**
- **External**

Volume

Adjust to increase or decrease the audio output level.

Press the **SET/PLUS** button to open the submenu, and then press the **PLUS/MINUS** button to adjust.

Mute

To turn the mute function on/off.

Press the **SET/PLUS** button to open the submenu, and then press the **UP/DOWN** button to make selection.

Audio source

To select the audio input source according to the audio signal source connected to the audio input and HDMI sockets on the monitor.

Press the **SET/PLUS** button to open the submenu, and then press the **UP/DOWN** button to toggle between

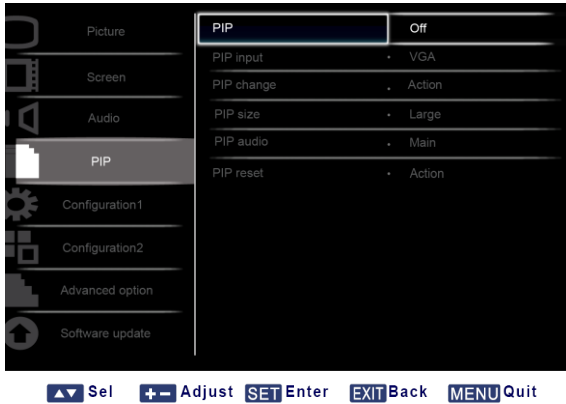
- **HDMI**
- **AUDIO1**
- **AUDIO2**
- **AUDIO3**

Audio reset

Reset all settings in the **AUDIO** menu.

Press the **SET/PLUS** button to open the submenu, and then press the **PLUS/MINUS** button to make selection. Select **Reset** and press the **SET** button to restore settings to factory preset values. Press the **EXIT** button or select **Cancel** and press the **SET** button to cancel and then return to the previous menu.

4.2.4. PIP MENU



PIP

Turn PIP (Picture-in-Picture) mode On/Off.

Press the **SET/PLUS** button to open the submenu, and then press the **UP/DOWN** button to toggle between

- On
- Off

PIP input

Select the input signal for the sub-picture.

Press the **SET/PLUS** button to open the submenu, and then press the **UP/DOWN** button to make selection.

PIP change

Exchange between the main picture and sub picture.

Press the **SET/PLUS** button to open the submenu, and then press the **UP/DOWN** button to make selection.

PIP size

Select the size of the sub picture in the PIP (Picture-in-Picture) mode.

Press the **SET/PLUS** button to open the submenu, and then press the **UP/DOWN** button to toggle between

- Small
- Medium
- Large

PIP audio

Select the audio source in the PIP (Picture-in-Picture) mode.

Press the **SET/PLUS** button to open the submenu, and then press the **UP/DOWN** button to toggle between

- **MAIN** - Select audio from the main picture
- **Sub** - Select audio from the sub picture.

PIP reset

Reset all settings in the **PIP** menu.

Press the **SET/PLUS** button to open the submenu, and then press the **PLUS/MINUS** button to make selection. Select **Reset** and press the **SET** button to restore settings to factory preset values. Press the **EXIT** button or select **Cancel** and press the **SET** button to cancel and then return to the previous menu.

Notes:

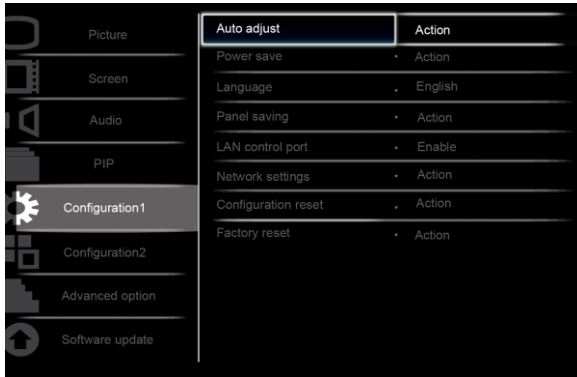
- The PIP function is only available under certain signal source combinations as shown in the table below.

		Main picture signal source					
		DP	HDMI	DVI-D	Card DVI-D	VGA	YPbPr
Sub picture signal source	DP	×	○	○	○	×	×
	HDMI	○	×	×	×	○	○
	DVI-D	○	×	×	×	○	○
	Card DVI-D	○	×	×	×	○	○
	VGA	×	○	○	○	×	×
	YPbPr	×	○	○	○	×	×

(○: PIP function available, ×: PIP function unavailable)

- The availability of the PIP function will also depend on the resolution of the input signal being used.

4.2.5. CONFIGURATION 1 MENU



▲▼ Sel + - Adjust SET Enter EXIT Back MENU Quit

Auto adjust

Note: For the VGA input only.

Use this function to let the monitor automatically optimize the display of VGA input image. Press the **SET/PLUS** button to open the submenu, and then press the **SET** button to adjust.

Power save

Set the monitor to reduce the power automatically.

Press the **SET/PLUS** button to open the submenu, and then press the **UP/DOWN** button to toggle between

- **VGA** - Select **ON** to let the monitor enter DPMS mode when no signal can be detected from the DisplayPort, HDMI, DVI-D, and VGA inputs after three successive cycles. Use the **PLUS/MINUS** button to make selection.
- **VIDEO** - Select **ON** to let the monitor enter power saving mode when no signal is detected from the YPbPr inputs after three successive cycles. Use the **PLUS/MINUS** button to make selection.

Language

Select the language for the OSD menu.

Press the **SET/PLUS** button to open the submenu, and then press the **UP/DOWN** button to toggle between

- **English**
- **Русский**
- **Polski**
- **Italiano**
- **Türkçe**
- **Deutsch**
- **中文**
- **Français**
- **Español**

Panel saving

Choose to enable the panel saving functions to reduce the risk of the "image persistence". Press the **SET/PLUS** button to open the submenu, and then press the **UP/DOWN** button to toggle between

- **COOLING FAN** - Select **On** and the cooling fan is turning on all the time. Select **AUTO** and the cooling fan will turn on/off according to the temperature of monitor.

Note: The conditions of the cooling fan is low/mid/high speed at 50/58/63 °C respectively. It would be automatically shut down if the monitor reaches a preset critical temperature (82 °C).

- **Brightness** - Select **On** and the brightness of the image will be reduced to an appropriate level, and the **Brightness** setting in the **Picture** menu will become unavailable. Use the **PLUS/MINUS** button to make selection.
- **Pixel Shift** - Select the time interval for the monitor to slightly expand the image size and shift the position of pixels in four directions (up, down, left, and right). Use the **PLUS/MINUS** button to make selection (**Off**, **10-900** seconds from current time).

Lan control port

Choose to enable or disable the function of the control port.

Press the **SET/PLUS** button to open the submenu, and then press the **UP/DOWN** button to make selection.

Network settings

To assign IP, Subnet Mask and Default gateway for the display. Press the **SET/PLUS** button to open the submenu, and then press the **UP/DOWN** button to toggle between

- **DHCP** - Choose to enable or disable the **DHCP** function. If enabled, the display will be assigned **IP address**, **Subnet mask** and **Default gateway** automatically. If disabled, you will be prompted to enter the following value manually. Finally, press **SET** to store and save the chosen values.
- **IP address**
- **Subnet mask**
- **Default gateway**
- **Login user name**
- **Login password**

Network settings	
DHCP	Enable
IP address	172-16 - 0 - 1
Subnet mask	255-255- 0 - 0
Default gateway	0 - 0 - 0 - 0
Login user name	a d m i n
Login password	0 0 0 0
[Set]	

Configuration reset

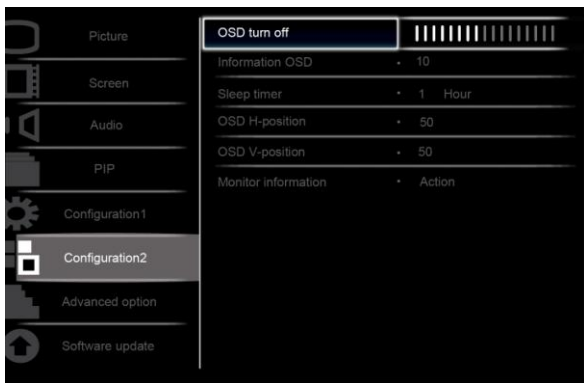
Reset all settings in the **Configuration 1** menu.

Press the **SET/PLUS** button to open the submenu, and then press the **PLUS/MINUS** button to make selection. Select **Reset** and press the **SET** button to restore settings to factory preset values. Press the **EXIT** button or select **Cancel** and press the **SET** button to cancel and then return to the previous menu.

Factory reset

Reset all settings in the **Picture**, **Screen**, **Audio**, **PIP**, **Configuration 1**, **Configuration 2**, and **Advanced option** menus. Press the **SET/PLUS** button to open the submenu, and then press the **PLUS/MINUS** button to make selection. Select **Reset** and press the **SET** button to restore settings to factory preset values. Press the **EXIT** button or select **Cancel** and press the **SET** button to cancel and then return to the previous menu.

4.2.6. CONFIGURATION 2 MENU



▲▼ Sel + - Adjust SET Enter EXIT Back MENU Quit

OSD turn off

Set the period of time the OSD menu stays on the screen. (from **5** to **120** seconds)

Press the **SET/PLUS** button to open the submenu, and then press the **PLUS/MINUS** button to adjust.

Information OSD

Set the period of time the information OSD displayed on the upper right corner of the screen. (from **1** to **60** seconds). The information OSD will display when input signal is changed.

Press the **SET/PLUS** button to open the submenu, and then press the **UP/DOWN** button to adjust. The information OSD will remain on the screen when **Off** is selected.

Sleep timer

Set the monitor to turn itself off to standby mode within an amount of time you specify. (**Off**, **1-24** hours from current time)

Press the **SET/PLUS** button to open the submenu, and then press the **UP/DOWN** button to adjust.

Note: When the Sleep timer is activated, the Schedule settings will be disabled.

OSD H-position

Adjust the horizontal position of the OSD menu.

Press the **SET/PLUS** button to open the submenu, and then press the **UP/DOWN** button to adjust.

OSD V-position

Adjust the vertical position of the OSD menu.

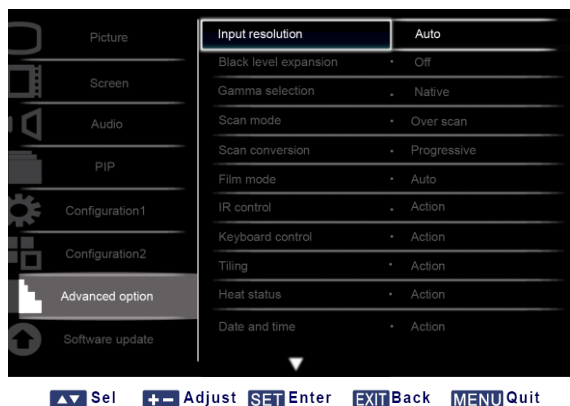
Press the **SET/PLUS** button to open the submenu, and then press the **UP/DOWN** button to adjust.

Monitor information

Displays the information about your monitor, including model number, serial number, operating hours and software version.

Press the **SET/PLUS** button to view the information. Press the **EXIT** button to return to the previous menu.

4.2.7. ADVANCED OPTION MENU



Input resolution

Note: For the VGA input only.

Set the resolution of the VGA input. This is only required when the monitor is unable to detect the VGA input resolution correctly.

Press the **SET/PLUS** button to open the submenu, and then press the **UP/DOWN** button to toggle between

- **1024x768, 1280x768, 1360x768 and 1366x768**
- **640x480, 720x480 and 852x480**
- **800x600, 1064x600 and 720x576**
- **1400x1050 and 1680x1050**
- **720x400 and 640x400**
- **1440x900 and 1600x900**

Auto: Determines the resolution automatically.

The setting you select becomes effective when POWER is turned OFF and ON again.

Black level expansion

Note: For Video mode inputs only.

Select a suitable black level expansion setting to reveal more details in the dark parts of an image.

Press the **SET/PLUS** button to open the submenu, and then press the **UP/DOWN** button to toggle between

- **Off** • **Low**
- **Medium** • **High**

Gamma selection

Select a display gamma value to best suit the image and optimize image brightness and contrast.

Press the **SET/PLUS** button to open the submenu, and then press the **UP/DOWN** button to toggle between

- **Native** • **2.2**
- **2.4** • **S gamma**

Scan mode

Note: For HDMI-Video timing, DVI-D(HD timing), DP(HD timing) and YPbPr inputs only.

Change the display area of the image.

Press the **SET/PLUS** button to open the submenu, and then press the **UP/DOWN** button to toggle between

- **Overscan** - Display about 95% of the original size of the image. The rest of the areas surrounding the image will be cut off.
- **Underscan** - Display the image in its original size.

Scan conversion

Choose to enable or disable the IP (Interlace to Progressive) conversion function.

Press the **SET/PLUS** button to open the submenu, and then press the **UP/DOWN** button to toggle between

- **Progressive** - Enable the IP conversion function (recommended). Once enabled, the interlace input signal will be converted to progressive format for better display quality.
- **Interlace**: Disable the IP function. This mode is suitable for displaying motion pictures, but it increases the chance of image retention.

Film mode

Choose to turn on or off the film mode frame conversion function.

Press the **SET/PLUS** button to open the submenu, and then press the **UP/DOWN** button to toggle between

- **Auto** - Enable the film mode frame conversion function for movies and motion pictures. The monitor converts a 24 frames-per-second (24 fps) input signal format to DVD video signal format. Once this function is enabled, it is recommended that you set the **Scan conversion** function to **Progressive**.
- **Off** - Disable the film mode frame conversion function. This mode is suitable for TV broadcasting and VCR signals.

IR control

Select the operation mode of the remote control when multiple BDL5571V monitors are connected via the RS232C connection.

Press the **SET/PLUS** button to open the submenu, and then press the **UP/DOWN** button to toggle between

- **Normal** - All monitors can be operated normally by the remote control.
- **Primary** - Designate this monitor as the primary monitor for remote control operation. Only this monitor can be operated by the remote control.
- **Secondary** - Designate this monitor as the secondary monitor. This monitor can not be operated by the remote control, and will only receive the control signal from the primary monitor via the RS232C connection.
- **Lock** - Lock the remote control function of this monitor. To unlock, press and hold the **DISPLAY** button on the remote control for 5 seconds.

Keyboard control

Choose to enable or disable the function of the keyboard (control buttons) on the monitor.

Press the **SET/PLUS** button to open the submenu, and then press the **PLUS/MINUS** button to toggle

between

- **Lock** - Disable the keyboard.
- **Unlock** - Enable the keyboard.

Tiling

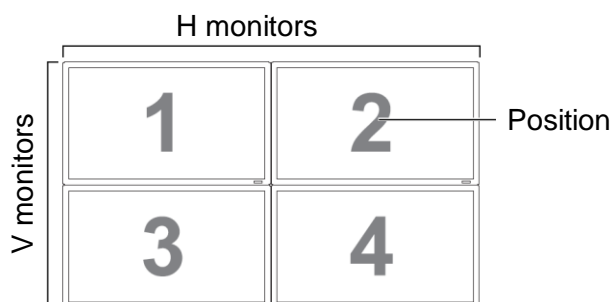
With this function you can create a single large screen matrix (display wall) that consists of up to 25 BDL5571V monitors (5 monitors each on the vertical and horizontal sides). ~~This requires you to connect each BDL5571V monitor in a daisy chain configuration.~~

Example:

2 x 2 screen matrix (4 monitors)

H monitors = 2

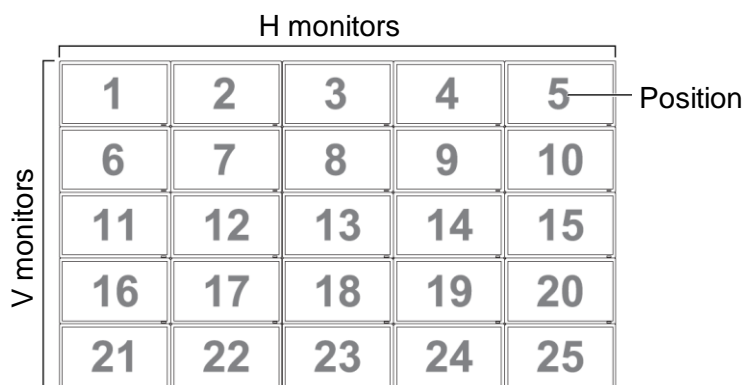
V monitors = 2



5 x 5 screen matrix (25 monitors)

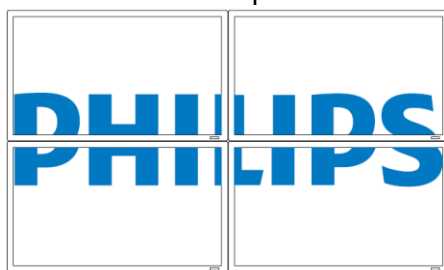
H monitors = 5

V monitors = 5

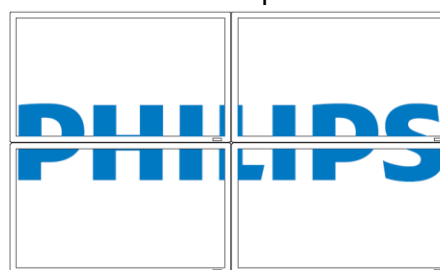


- **H monitors** - Select the number of monitors on the horizontal side.
- **V monitors** - Select the number of monitors on the vertical side.
- **Position** - Select the position of this monitor in the screen matrix.
- **Frame comp.** - Choose to turn on or off the frame compensation function. If turned on, the monitor will adjust the image to compensate for the width of the monitor bezels in order to accurately display the image.

Frame comp. - OFF



Frame comp. - ON



- **Enable:** Choose to enable or disable the **Tiling** function. If enabled, the monitor will apply the settings in **H monitors**, **V monitors**, **Position**, and **Frame comp.**

Note: The Tiling function will be disabled when the ON/OFF button for PIP is pressed.

Heat status

This function allows you to check the thermal status of the monitor at any time. The accuracy of the temperature indicated is ± 5 degrees.

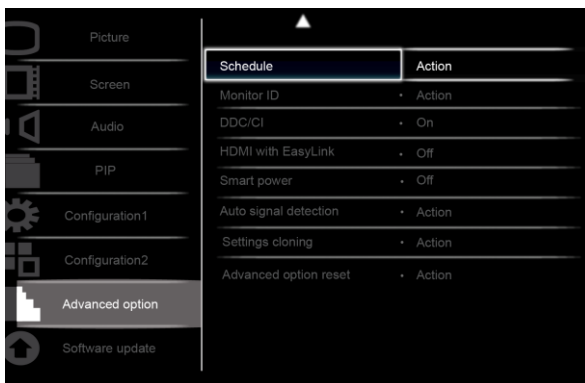
Press the **SET/PLUS** button to view the heat status. Press the **EXIT** button to return to the previous menu.

Date and time

Adjust current date and time for the monitor's internal clock.

Press the **PLUS** button to open the submenu. Press the **UP/DOWN** button to toggle between the **Year**, **Month**, **Day**, **Hour**, **Minute**, and **Daylight saving** settings. Press the **PLUS/MINUS** button to adjust all settings except **Daylight saving time**. Press the **SET** button to open the **Daylight saving** submenu.

Press **PLUS/MINUS** button to make a selection and then press **UP/DOWN** button to adjust.



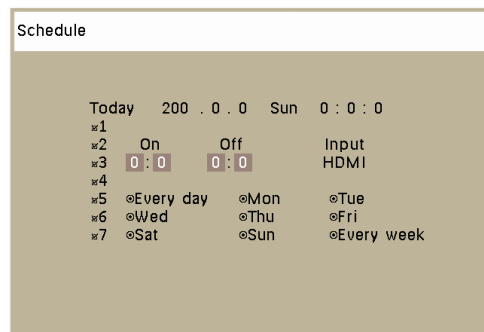
▲ Sel + - Adjust SET Enter EXIT Back MENU Quit

Schedule

Note: You should set up current date and time in Date and time before using this function.

This function allows you to program up to seven different scheduled time intervals for the monitor. You can select the time the monitor turns on and turns off, the days in a week the monitor is activated, and which input source the monitor will use for each scheduled activation period.

1. Press the **SET/PLUS** button to open the submenu.



- Press the **UP/DOWN** button to select a schedule item (item 1 through item 7), and then press the **PLUS** button.
- With the **ON** item highlighted, press the **UP/DOWN** button to set the hour when the monitor will be turned on, then press the **PLUS** button to move to the minute slot to set the minute. If you do not want to use a power on time, select "___" for the hour slot and minute slot.

4. Press the **PLUS** button to highlight the **OFF** item. Press the **UP/DOWN** button to set the hour when the monitor will be turned off, then press the **PLUS** button to move to the minute slot to set the minute. If you do not want to use a power off time, select "___" for the hour slot and minute slot.
5. Press the **PLUS** button to highlight the **Input** item, and then press the **UP/DOWN** button to select an input source. If no input source is selected, the input source will remain the same as last selected.
6. Press the **PLUS** button to select what days in a week this schedule item will be take effect, and then press the **SET** button.
7. If you want to set up more schedule items, press the **EXIT** button and then repeat the steps above. A check mark in the box next to the number of the schedule item indicates that the selected schedule is in effect.

Notes:

- *The selection of Every day within a schedule item takes priority over other schedules that are set up to operate weekly.*
- *When schedule items overlap, scheduled power on time has priority over scheduled power off time.*
- *If there are two schedule items programmed for the same time, then the highest numbered schedule has priority.*

Monitor ID

Set the ID number for controlling the monitor via the RS232C connection. Each monitor must have an unique ID number when multiple BDL5571V monitors are connected.

Press the **SET/PLUS** button to open the submenu, and then press the **PLUS/MINUS** button to select a monitor ID.

DDC/CI

Choose to turn **On** or **Off** the DDC/CI communication function. Select On for normal use.

Press the **SET/PLUS** button to open the submenu, and then press the **UP/DOWN** button to make selection.

HDMI with EasyLink (One Wire)

This function gives you the ability to control your display through the HDMI connector using CEC(Consumer Electronics Control) commands.

Press the **SET/PLUS** button to open the submenu, and then press the **UP/DOWN** button to make selection.

Smart power

Set the monitor to reduce the power consumption automatically.

Press the **SET/PLUS** button to open the submenu, and then press the **UP/DOWN** button to toggle between

- **Off**
- **Medium**
- **High**

Auto signal detection

Choose to let the monitor detect and display available signal sources automatically.

Press the **SET/PLUS** button to open the submenu, and then press the **UP/DOWN** to make selection.

- **ON** - Set the monitor to display the image automatically once a signal is connected.
- **OFF** - Once a signal is connected, it can only be selected manually.

Setting cloning

To store OSD setting of one display into the USB drive and clone the setting to another display. Press the **SET/PLUS** button to open the submenu, and then press the **UP/DOWN** button to toggle between

- **Monitor to USB** - When select **YES**, the OSD setting will be uploaded to USB device.
- **USB to monitor** - When select **YES**, the OSD setting will be downloaded from USB device to the monitor to change the OSD setting for this monitor.

Advanced option reset

Reset all settings in the **Advanced option** menu.

Press the **SET/PLUS** button to open the submenu, and then press the **PLUS/MINUS** button to make selection. Select **Reset** and press the **SET** button to restore settings to factory preset values. Press the **EXIT** button or select **Cancel** and press the **SET** button to cancel and then return to the previous menu.

5. INPUT MODE

VGA Resolution

Standard Resolution	Active Resolution		Refresh Rate	Pixel Rate	Aspect Ratio	Stand for Mode
	H Pixels	V Lines				
VGA	640	480	60 Hz	25.175 MHz	4:3	Video Graphic Array
		480 72 Hz	72 Hz	31.5 MHz		
		480 75 Hz	75 Hz	31.5 MHz		
WVGA	720	400	70 Hz	33.75 MHz	16:9	Wide Video Graphic Array
SVGA	800	600	60 Hz	40 MHz	4:3	Super VGA
		600 75 Hz	75 Hz	49.5 MHz		
XGA	1024	768	60 Hz	65 MHz	4:3	Extended Graphic Array
		768 75 Hz	75 Hz	78.75 MHz		
WXGA	1280	768	60 Hz	79.5 MHz	5:3	Wide XGA
WXGA	1280	800	60 Hz	79.5 MHz	16:10	Wide XGA
SXGA	1280	960	60 Hz	108 MHz	4:3	Super XGA
SXGA	1280	1024	60 Hz	108 MHz	5:4	Super XGA
WXGA	1360	768	60 Hz	85.5 MHz	16:9	Wide XGA
WXGA	1366	768	60 Hz	85.5 MHz	16:9	Wide XGA
UXGA	1600	1200	60 Hz	162 MHz	4:3	Ultra XGA
HD1080	1920	1080	60 Hz	148.5 MHz	16:9	HD1080

SDTV Resolution

Standard Resolution	Active Resolution		Refresh Rate	Pixel Rate	Aspect Ratio	Stand for Mode
	H Pixels	V Lines				
480i	720	480	29.97 Hz	13.5 MHz	4:3	Modified NTSC Standard
480p			59.94 Hz	27 MHz		
576i	720	480	25 Hz	13.5 MHz	4:3	Modified PAL Standard
576p			50 Hz	27 MHz		

HDTV Resolution

Standard Resolution	Active Resolution		Refresh Rate	Pixel Rate	Aspect Ratio	Stand for Mode
	H Pixels	V Lines				
720p	1280	720	50 Hz	74.25 MHz	16:9	Normally DVB Mode
			60 Hz			
1080i	1920	1080	25 Hz	74.25 MHz	16:9	Normally ATSC Mode
			30 Hz			
1080p	1920	1080	50 Hz	148.5 MHz	16:9	Normally ATSC Mode
			60 Hz			

- The PC text quality is optimum in HD 1080 mode (1920 x 1080, 60Hz).
- Your PC display screen might appear different depending on the manufacture (and your particular version of Windows).
Check your PC instruction book for information about connecting your PC to a display.
- If a vertical and horizontal frequency-select mode exists, select 60Hz (vertical) and 31.5KHz (horizontal). In some cases, abnormal signals (such as stripes) might appear on the screen when the PC power is turned off (or if the PC is disconnected). If so, press the **INPUT** button to enter the video mode. Also, make sure

that the PC is connected.

- When horizontal synchronous signals seem irregular in RGB mode, check PC power saving mode or cable connections.
- The display settings table complies to the IBM/VESA standards, and based on the analog input.
- The DVI support mode is regarded as same to the PC support mode.
- The best timing for the vertical frequency to each mode is 60Hz.

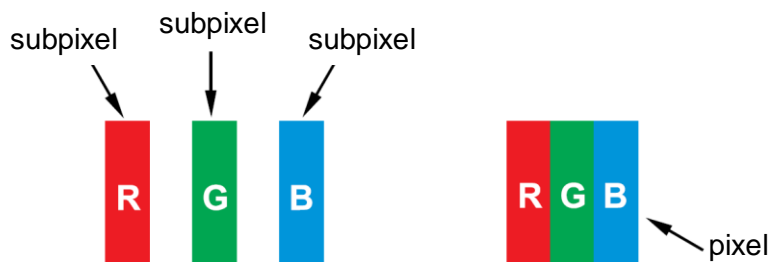
6. PIXEL DEFECT POLICY

Philips strives to deliver the highest quality products. We use some of the industry's most advanced manufacturing processes and practice stringent quality control. However, pixel or sub-pixel defects on the PDP / TFT panels used in Plasma- & LCD- displays are sometimes unavoidable. No manufacturer can guarantee that all panels will be free from pixel defects, but Philips guarantees that any Plasma- & LCD- displays with an unacceptable number of defects will be repaired during the warranty period in line with your local guarantee conditions.

This notice explains the different types of pixel defects and defines the acceptable defect level for the BDL5571V LCD screen. In order to qualify for repair under warranty, the number of pixel defects must exceed a certain level which is given in the reference table. If the LCD screen is within specification a warranty exchange / claim back will be refused. Additionally, because some types or combinations of pixel defects are more noticeable than others, Philips sets even higher quality standards for those.

6.1. PIXELS AND SUB-PIXELS

A pixel, or picture element, is composed of three sub-pixels in the primary colors of red, green and blue. Many pixels together form an image. When all sub-pixels of a pixel are lit, the three colored sub-pixels together appear as a single white pixel. When all are dark, the three colored sub-pixels together appear as a single black pixel. Other combinations of lit and dark sub-pixels appear as single pixels of other colors.



6.2. TYPES OF PIXEL DEFECTS + DOT DEFINITION

Pixel and sub-pixel defects appear on the screen in different ways. There are three categories of pixel defects and several types of sub-pixel defects within each category.

Dot definition = What is a defective "Dot"?




One or more defective, adjacent sub-pixel are defined as one "dot". The no. of defective sub-pixels are not relevant to define a defective dot. This means that a defective dot can consist of one, two or three defective sub-pixels which can be dark or lit.



One dot = One Pixel; consists of three sub-pixels of Red; Green and Blue



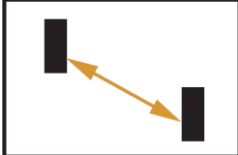
6.3. BRIGHT DOT DEFECTS

Bright dot defects appear as pixels or sub-pixels that are always lit or "on". These are the examples of bright dot defects:

		
<p>One lit red, green or blue sub-pixel</p>	<p>Two adjacent lit sub-pixels: - Red + Blue = Purple - Red + Green = Yellow - Green + Blue = Cyan (Light Blue)</p>	<p>Three adjacent lit sub-pixels (one white dot)</p>

6.4. DARK DOT DEFECTS

Black dot defects appear as pixels or sub-pixels that are always dark or "off". These are the examples of black dot defects:

		
<p>One dark dot</p>	<p>Two adjacent dark dots = 1 pair of dark dots</p>	<p>Two dark dots, specifications defines the minimum distance between dark dots</p>

6.5. PROXIMITY OF PIXEL DEFECTS

Because pixel and sub-pixels defects of the same type that are nearby one another may be more noticeable, Philips also specifies tolerances for the proximity of pixel defects. In the table below you can find specifications about:

- Allowed amount of adjacent dark dots = (adjacent dark dots = 1 pair of dark dots)
- Minimum distance between dark dots
- Total no. of all defective dots

6.6. PIXEL DEFECT TOLERANCES

In order to qualify for repair due to pixel defects during the warranty period, a PDP / TFT panel in a Philips Plasma / LCD- display must have pixel or sub-pixel defects exceeding the tolerances listed in the following table.

BRIGHT DOT EFFECT	ACCEPTABLE LEVEL
MODEL	BDL5571V
1 lit sub pixel	2
BLACK DOT EFFECT	ACCEPTABLE LEVEL
1 dark sub pixel	10
TOTAL DOT DEFECTS OF ALL TYPES	12

Note: * 1 or 2 adjacent sub pixel defects = 1 dot defect

7. CLEANING AND TROUBLESHOOTING

7.1. CLEANING

Cautions When Using the Display

- Do not bring your hands, face or objects close to the ventilation holes of the display. Top of display is usually very hot due to the high temperature of exhaust air being released through the ventilation holes. Burns or personal injuries may occur if any body parts are brought too close. Placing any object near the top of the display could also result in heat related damages to the object as well as the display itself.
- Be sure to disconnect all cables before moving the display. Moving the display with its cables attached may damage the cables and thus case fire or electric shock danger.
- Disconnect the power plug from the wall outlet as a safety precaution before carrying out any type of cleaning or maintenance procedure.

Front Panel Cleaning Instructions

- The front of the display has been specially treated. Wipe the surface gently using only a cleaning cloth or a soft, lint-free cloth.
- If the surface becomes dirty, soak a soft, lint-free cloth in a mild detergent solution. Wring the cloth to remove excess liquid. Wipe the surface of the display to remove dirt. Then use a dry cloth of the same type to dry.
- Do not scratch or hit the surface of the panel with fingers or hard objects of any kind.
- Do not use volatile substances such as insert sprays, solvents and thinners.

Cabinet Cleaning Instructions

- If the cabinet becomes dirty, wipe the cabinet with a soft, dry cloth.
- If the cabinet is extremely dirty, soak a lint-free cloth in a mild detergent solution. Wring the cloth to remove as much moisture as possible. Wipe the cabinet. Use another dry cloth to wipe over until the surface is dry.
- Do not allow any water or detergent to come into contact with the surface of the display. If water or moisture gets inside the unit, operating problems, electrical and shock hazards may result.
- Do not scratch or hit the cabinet with fingers or hard objects of any kind.
- Do not use volatile substances such as insert sprays, solvents and thinners on the cabinet.
- Do not place anything made from rubber or PVC near the cabinet for any extended periods of time.

7.2. TROUBLESHOOTING

Symptom	Possible Cause	Remedy
No picture is displayed	<ol style="list-style-type: none"> 1. The power cord is disconnected. 2. The main power switch on the back of the monitor is not switched on. 3. The selected input has no connection. 4. The monitor is in standby mode. 	<ol style="list-style-type: none"> 1. Plug in the power cord. 2. Make sure the power switch is switched on. 3. Connect a signal connection to the monitor.
Interference displayed on the monitor or audible noise is heard	Caused by surrounding electrical appliances or fluorescent lights.	Move the monitor to another location to see if the interference is reduced.
Color is abnormal	The signal cable is not connected properly.	Make sure that the signal cable is attached firmly to the back of the monitor.
Picture is distorted with abnormal patterns	<ol style="list-style-type: none"> 1. The signal cable is not connected properly. 2. The input signal is beyond the capabilities of the monitor. 	<ol style="list-style-type: none"> 1. Make sure that the signal cable is attached firmly. 2. Check the video signal source to see if it is beyond the range of the monitor. Please verify its specifications with this monitor's specification section.
Display image doesn't fill up the full size of the screen	The zoom mode is not correctly set.	Use the Zoom mode or Custom zoom function in the Screen menu to fine tune display geometry and time frequency parameter.
Can hear sound, but no picture	Improperly connected source signal cable.	Make sure that both video inputs and sound inputs are correctly connected.
Can see picture but no sound is heard	<ol style="list-style-type: none"> 1. Improperly connected source signal cable. 2. Volume is turned all the way down. 3. MUTE is turned on. 4. No external speaker connected. 	<ol style="list-style-type: none"> 1. Make sure that both video inputs and sound inputs are correctly connected. 2. Use VOL UP/VOL DOWN button to hear sound. 3. Switch MUTE off by using the MUTE button. 4. Connect external speakers and adjust the volume to a suitable level.
Some picture elements do not light up	Some pixels of the display may not turn on.	This monitor is manufactured using an extremely high level of precision technology: however, sometimes some pixels of the monitor may not display. This is not a malfunction.
After-Images can still be seen on the monitor after the monitor is powered off. (Examples of still pictures include logos, video games, computer images, and images displayed in 4:3 normal mode)	A still picture is displayed for an over extended period of time	Do not allow a still image to be displayed for an extended period of time as this can cause a permanent after-image to remain on the monitor.

8. TECHNICAL SPECIFICATIONS

Display

Item	Specifications
Screen Size (Active Area)	55" LCD
Aspect ratio	16:9
Number of pixels	1920 (H) x 1080 (V)
Pixel pitch	0.4845 (H) x 0.4845 (V) [mm]
Displayable colors	1.06B colors
Brightness	500 cd/m ₂
Dynamic contrast ratio	3000:1
Contrast ratio (typical)	1300:1
Viewing angle	178 degrees

In/Out Terminals

Item	Specifications
Speaker Output	Internal Speaker 10W (L) + 10W (R) [RMS]/8Ω 1 Way 1 Speaker System 82 dB/W/M/160 Hz ~ 13 KHz
Audio Output	RCA Jack x 1 0.5V [rms] (Normal)/ 2 Channel (L+R)
Audio Input	RCA Jack x 2 0.5V [rms] (Normal)/ 2 Channel (L+R)
RS232C	D-Sub Jack x 2 (9 pin) TXD + RXD (1:1)
USB	USB Jack (Type A) USB 2.0 Slave
RJ-45	RJ-45 Jack x 1 (8 pin) 10/100 Lan Port
DisplayPort Input	DisplayPort Jack x 1 (20 pin) Digital RGB (Video) Max 720p, 1080P, 1920 x 1080/60 Hz
HDMI Input	HDMI Jack x 1 (Type A) (18 pin) Digital RGB: TMDS (Video + Audio) MAX: Video - 720p, 1080p, 1920 x 1080/60 Hz (WUXGA) Audio - 48 KHz/ 2 Channel (L+R) Supports LPCM only
DVI-D Input	DVI-D jack Digital RGB: TMDS (Video)
VGA Input	D-Sub Jack x 1 (15 pin) Analog RGB: 0.7V [p-p] (75Ω), H/CS/V: TTL (2.2kΩ), SOG: 1V [p-p] (75Ω) MAX: 720p, 1080p, 1920 x 1080/60 Hz (WUXGA)
VGA Output	D-Sub Jack x 1 (15 pin) Analog RGB: 0.7V [p-p] (75Ω), H/CS/V: TTL (2.2kΩ), SOG: 1V [p-p] (75Ω) MAX: 720p, 1080p, 1920 x 1080/60 Hz (WUXGA)
Component Input	RCA Jack x 1 Y: 1V [p-p] (75Ω), Pb: 0.7V [p-p] (75Ω), Pr: 0.7V [p-p] (75Ω) MAX: 480i, 576i, 480p, 576p, 720p, 1080i, 1080p

General

Item	Specifications
Power Supply	AC 100-240V, 50-60Hz
Power Consumption (Max)	350W
Power Consumption (typ.)	170W
Power Consumption (Standby & Off)	<1W (EasyLink & RS232 active)
Dimension [W x H x D mm]	
With Stand	1252.1 x 773.2 x 405.1 mm
Without Stand	1252.1 x 722.9 x 121.8 mm
Weight	
With Stand	26.4 Kg
Without Stand	38.7 Kg
Gross	47.2 Kg

Environmental Condition

Item	Specifications
Temperature	Operational Storage 0 ~ 40°C -20 ~ 60°C
Humidity	Operational Storage 20 ~ 80% RH (No condensation) 5 ~ 95% RH (No condensation)
Pressure	Operational Storage / Shipment 795 ~ 1013 hPa (Altitude: 0 ~ 4,500 m) 300 ~ 1013 hPa (Altitude: 0 ~ 9,000 m)

Internal Speaker

Item	Specifications
Type	1 Way 1 Speaker
Input	10 W (RMS)
Impedance	8Ω
Output Sound Pressure	82 dB/W/M
Frequency Response	160 Hz ~ 13 KHz

Your BDL5571V supports HDMI CEC (Consumer Electronics Control) protocol through the OneWire function. This gives you the ability to control your display through the HDMI connector using CEC commands. The command manual for this function is available separately.

NOTE:

- Philips does not guarantee 100% interoperability with all HDMI CEC devices.



2010 © Koninklijke Philips Electronics N.V. All rights reserved.

Philips and the Philips Shield Emblem are registered trade marks of Koninklijke Philips Electronics N.V. and are used under license from Koninklijke Philips Electronics N.V.

Specifications are subject to change without notice.