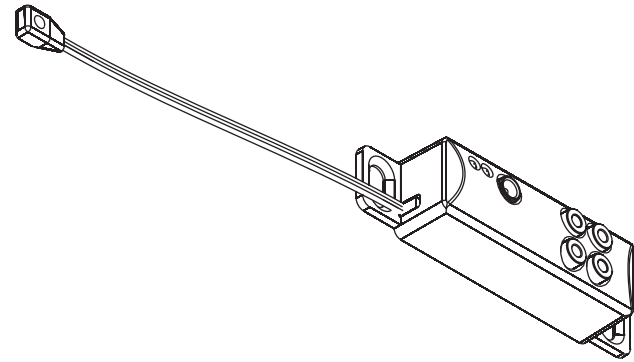


CHANNEL VISION™

IR-5000 Users Guide



CHANNEL VISION Limited Warranty

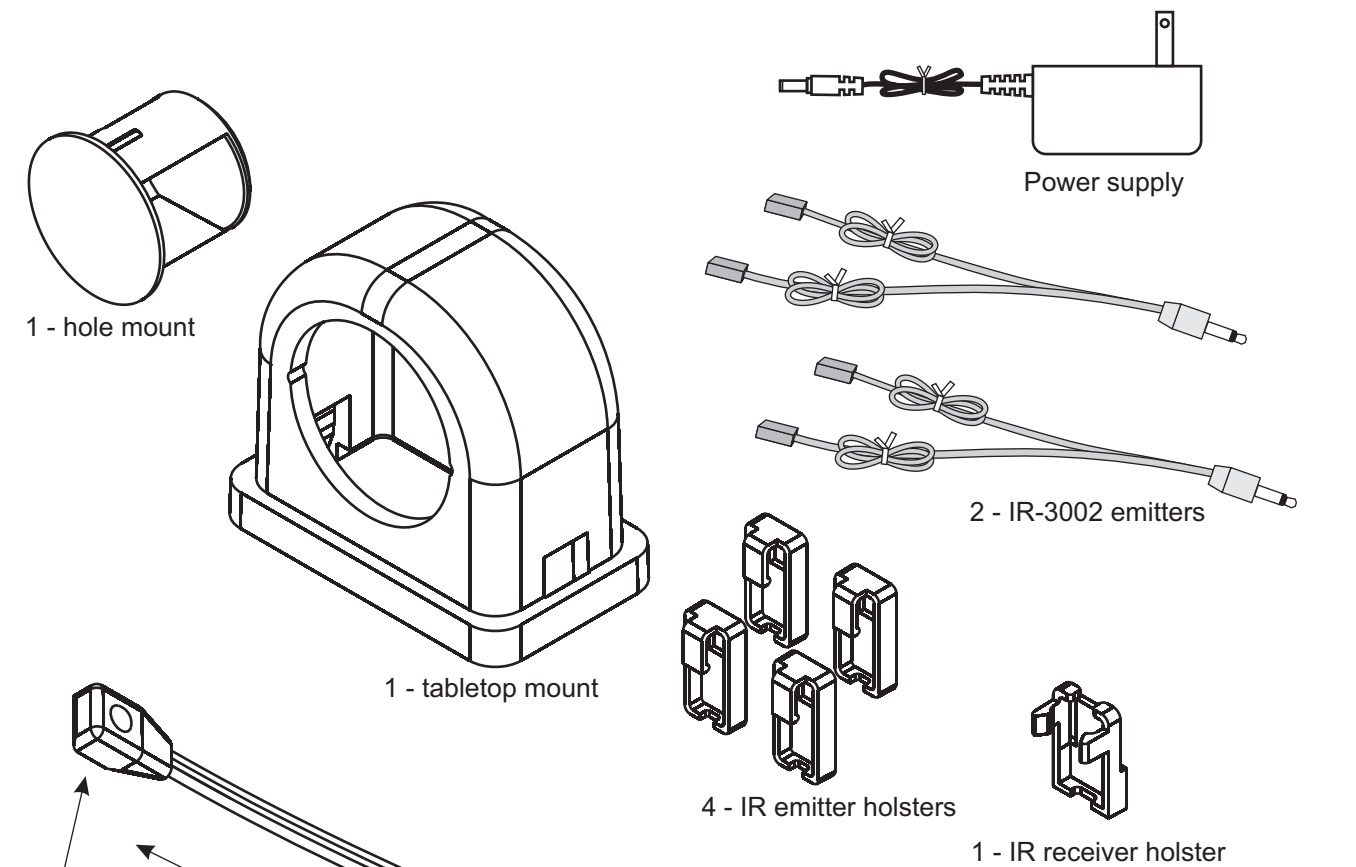
Channel Vision Technology will repair or replace any defect in material or workmanship which occurs during normal use of this product with new or rebuilt parts, free of charge in the USA, for two years from the date of original purchase. This is a no hassle warranty with no mail in warranty card needed. This warranty does not cover damages in shipment, failures caused by other products not supplied by Channel Vision Technology, or failures due to accident, misuse, abuse, or alteration of the equipment. This warranty is extended only to the original purchaser, and a purchase receipt, invoice, or other proof of original purchase date will be required before warranty repairs are provided.

Mail in service can be obtained during the warranty period by calling (800) 840-0288 toll free. A Return Authorization number must be obtained in advance and can be marked on the outside of the shipping carton.

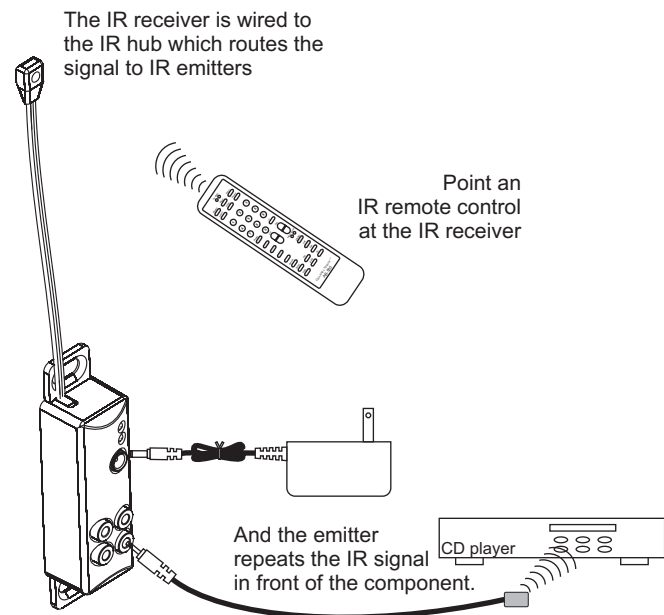
This warranty gives you specific legal rights and you may have other rights (which vary from state to state). If a problem with this product develops during or after the warranty period, please contact Channel Vision Technology, your dealer or any factory-authorized service center.

500-149 rev B

The IR-5000 includes these items:



How IR repeating works



Be sure the emitter is attached directly over the component's IR receiver. To locate the IR receiver, shine a flashlight into the unit and look for the sensor.

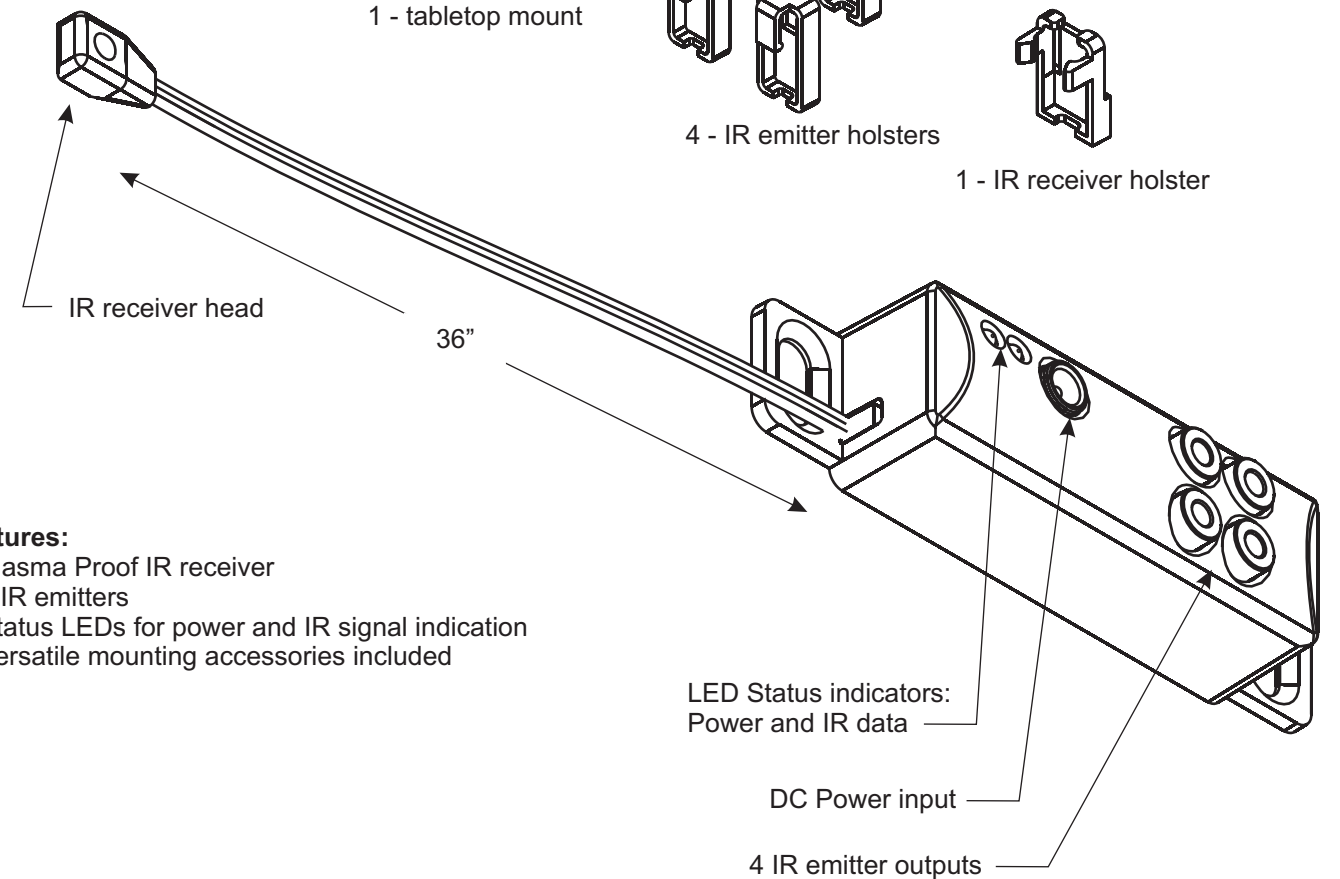
Specifications

Specifications: (typical)	
Power Supply Voltage:	8 - 12 VDC
IR Freq. range supported:	30 kHz - 60 kHz
IR pickup range:	40 ft. @ 38kHz, 25 ft. @ 56kHz
IR receiver head dimensions:	0.65" x 0.35" x 0.25"
IR emitter outputs:	4
Color:	Black

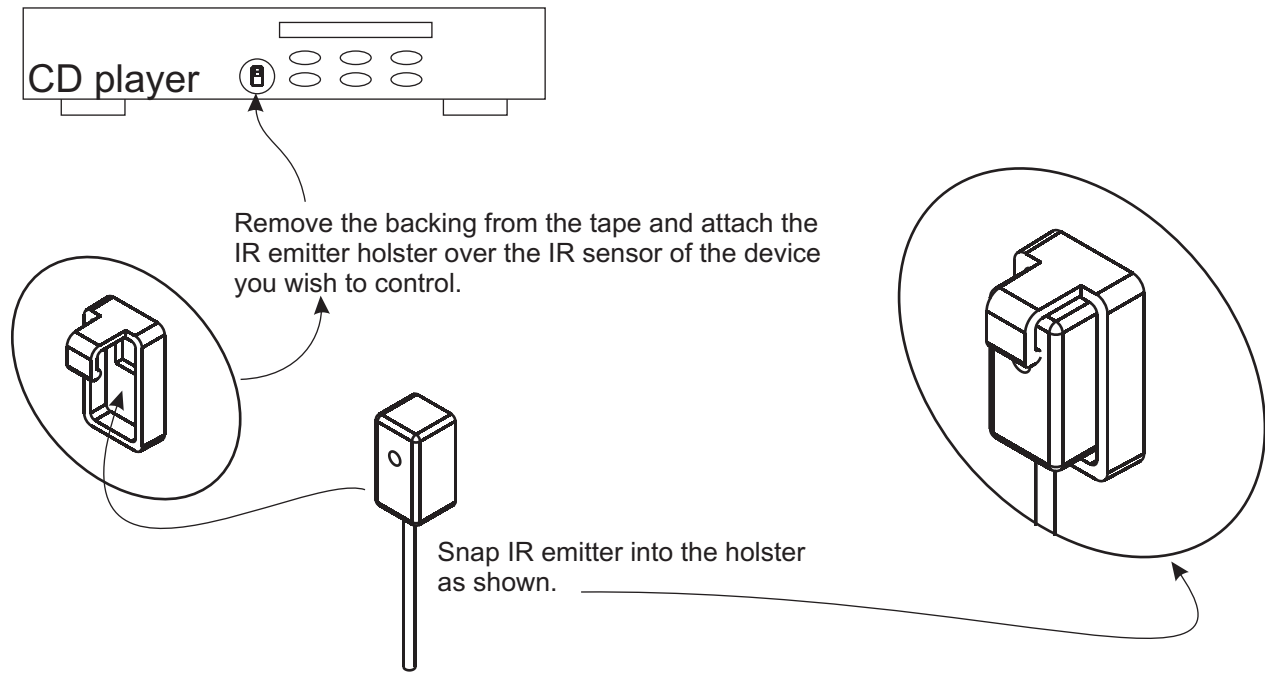
Specifications subject to change without notice.

Features:

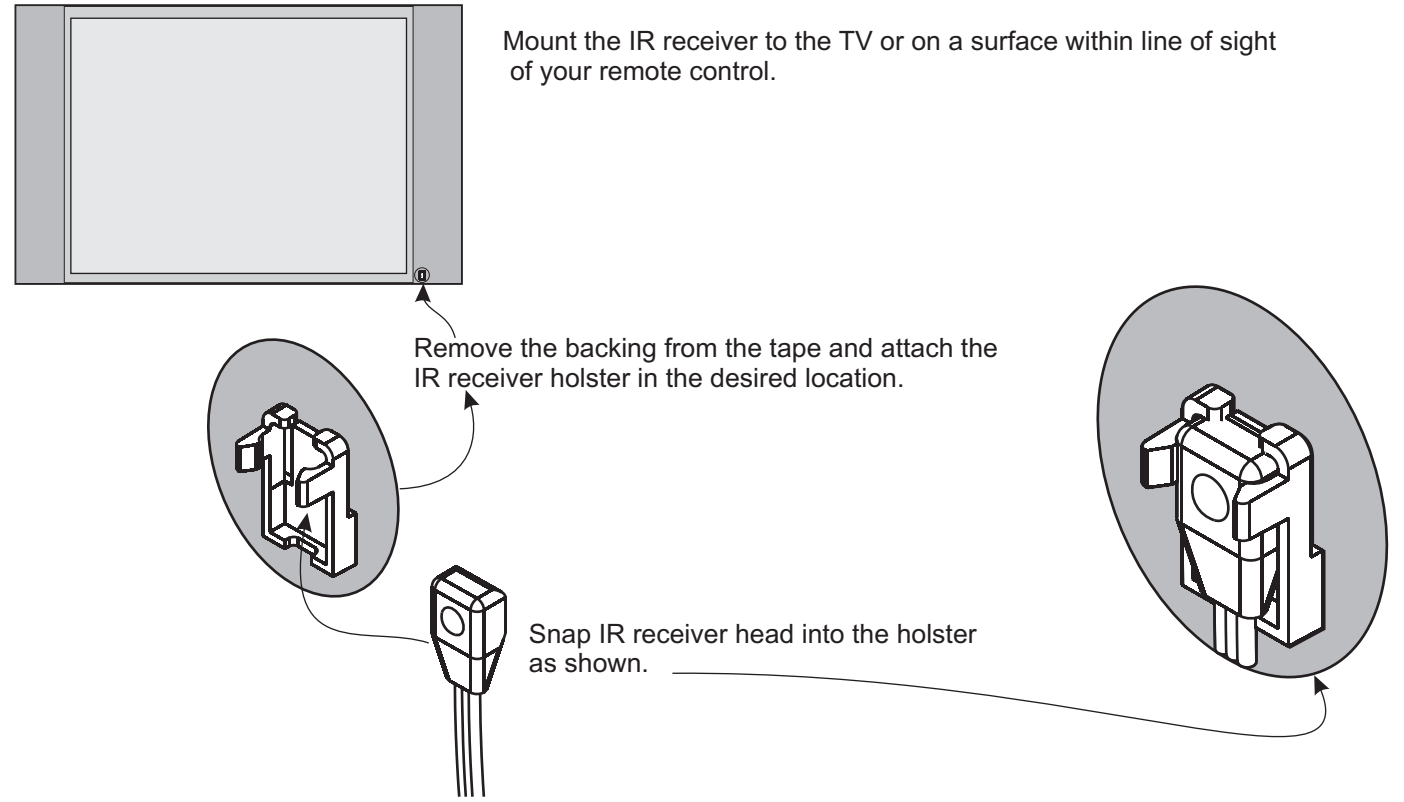
- Plasma Proof IR receiver
- 4 IR emitters
- Status LEDs for power and IR signal indication
- Versatile mounting accessories included



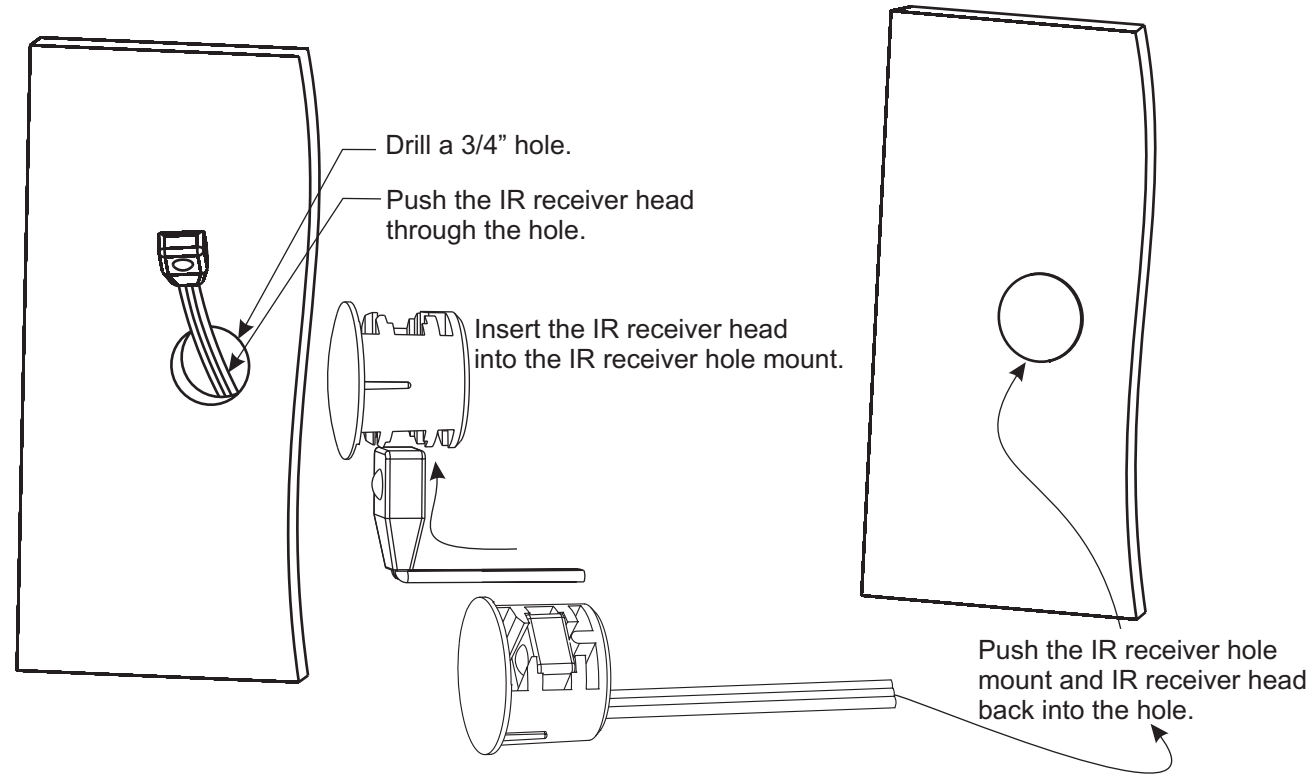
Mounting the IR emitter



Mounting the IR receiver: Option 1 - Using the holster



Mounting the IR receiver: Option 2 - Using the hole mount



Mounting the IR receiver: Option 3 - Using the tabletop mount

