

# TTGO121 | Powered Lighter Socket Mount for TomTom GO GPS



## Package Contents:

- (1) CM097-2 - 12V / Lighter socket mount with power outlet
- (1) APTTGO520 - Adapter plate for TomTom GO 520, 530, 720, 730, 920, 920T, and 930 models

## TomTom Device Compatibility:

- For use with TomTom GO - 520, 530, 720, 730, 920, 920T, and 930 models

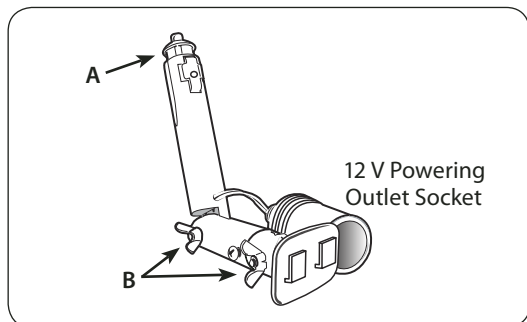
TomTom, ONE, and GO are product names, trademarks, or registered trademarks of TomTom International BV. Arkon Resources, Inc. is not affiliated with TomTom International BV.



Do not place mount in or near an air bag deployment zone or where it will obstruct view of the road.

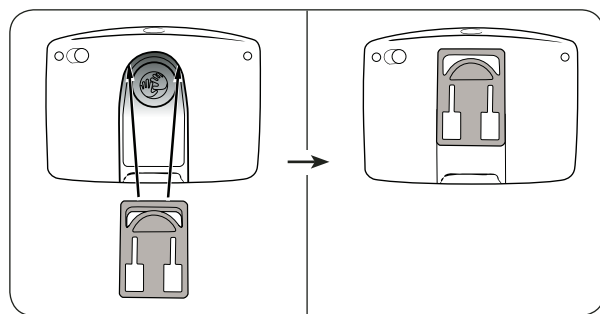
## Mount Installation Instructions

- Step 1. Insert the DC Power plug (A) completely into the vehicle's 12V / lighter socket.
- Step 2. Adjust the angle of the pedestal arm and rotatable dual T head by tightening the wing nuts (B) to the desired placement angle.



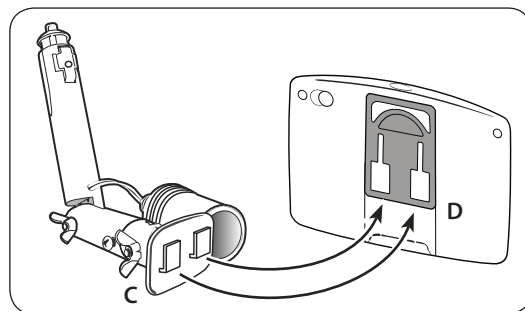
## TomTom GO Adapter Plate Installation

- Step 1. Attach the adapter plate by sliding it up into the slot on the back of the TomTom GO 520, 530, 720, 730, 920, 920T, or 930 device as shown below.



## TomTom GO Device Attachment

- Step 1. Attach the device cradle to the pedestal by inserting the dual T-Tabs of the pedestal (C) into the T-slots of the adapter plate (D).



## Safety Precautions

Do not install Arkon products over an air bag cover or within the air bag deployment zone. Arkon Resources, Inc. assumes no responsibility of liability for injury or death as a result of car crashes and/or air bag deployment.

Arkon is not responsible for any damages caused to your car, your device, or yourself due to the installation or use of this pedestal mount.

**ARKON**  
RESOURCES INC.

The Mobile Mounting Specialists™

Consumer Hotline:

USA (800) 841-0884

INT'L (626) 254-9005

Monday - Friday 9 am - 5 pm, PST

[www.arkon.com](http://www.arkon.com)

Arcadia, CA 91006 USA

Designed in USA | Made in Taiwan

© Copyright 2008 Arkon Resources, Inc.