

SONY®

4-105-783-11 (1)

Important Information

US

Information importante

FR

Información importante

ES

Personal Navigation System Important Information

Owner's Record

The model and serial numbers are located on the back of the unit in the built-in GPS antenna compartment.

Record these numbers in the spaces provided below.

Refer to these numbers whenever you call upon your Sony dealer regarding this product.

Model No. _____ Serial No. _____

nav-u



NV-U94T
NV-U84
NV-U74T

Using the manuals

The following manuals are included with the unit.

Before installing or operating the unit, read these manuals thoroughly and retain them for future reference.

- **Quick Start Guide**

Contains instructions on basic operations, such as installation, navigation operations, etc.

After you have read this manual, you should be ready to start using the unit.

- **Important Information (this manual)**

Contains important notices to be read prior to use, including warnings, specifications, and troubleshooting instructions.

To learn more about the features and functions

The “Instruction Manual” (PDF) that contains descriptions of all functions is available online.

You can download the manual at: <http://esupport.sony.com/>

Notes on this manual

- This manual contains instructions for the NV-U94T, U84, and U74T.

Available functions differ depending on the model.

The following chart shows the main differences between models.

	U94T	U84	U74T
POSITION plus	●		
Battery discharge mode	●	●	
TMC (Traffic Message Channel)	●		●
Bluetooth	●		●
Audio/video playback	●		

Check your model name and refer to the relevant indications in each section of this manual.

- Illustrations in this manual may differ from the actual device.

Warning

Operation is subject to the following two conditions;

- this device may not cause interference.
- this device must accept any interference, including interference that may cause undesired operation of the device.

This equipment has been tested and found to comply with the limits for a Class B digital device, pursuant to Part 15 of the FCC Rules. These limits are designed to provide reasonable protection against harmful interference in a residential installation.

This equipment generates, uses, and can radiate radio frequency energy and, if not installed and used in accordance with the instructions, may cause harmful interference to radio communications. However, there is no guarantee that interference will not occur in a particular installation. If this equipment does cause harmful interference to radio or television reception, which can be determined by turning the equipment off and on, the user is encouraged to try to correct the interference by one or more of the following measures:

- Reorient or relocate the receiving antenna.
- Increase the separation between the equipment and receiver.
- Connect the equipment into an outlet on a circuit different from that to which the receiver is connected.
- Consult the dealer or an experienced radio/TV technician for help.

You are cautioned that any changes or modifications not expressly approved in this manual could void your authority to operate this equipment.

If you have any questions about this product, you may call; Sony Customer Information Service Center 1-800-222-7669 or <http://www.sony.com/nav-u/support>

Declaration of Conformity

Trade Name: Sony
Model No.: NV-U94T, NV-U84,
NV-U74T
Responsible Party: Sony Electronics Inc.
Address: 16530 Via Esprillo,
San Diego, CA 92127
U.S.A.
Telephone number: 858-942-2230

This device complies with Part 15 of the FCC Rules. Operation is subject to the following two conditions: (1) This device may not cause harmful interference, and (2) this device must accept any interference received, including interference that may cause undesired operation.

For users of the NV-U94T/U74T

This equipment has been tested and found to comply with the limits for a Class B digital device, pursuant to Part 15 of the FCC Rules and RSS-Gen of IC Rules.

This transmitter must not be co-located or operated in conjunction with any other antenna or transmitter. This equipment complies with FCC and IC radiation exposure limits set forth for uncontrolled equipment and meets the FCC radio frequency (RF) Exposure Guidelines in Supplement C to OET65 and RSS-102 of the IC radio frequency (RF) Exposure rules. This equipment has very low levels of RF energy that it deemed to comply without maximum permissive exposure evaluation (MPE). But it is desirable that it should be installed and operated with at least 20 cm and more between the radiator and person's body (excluding extremities: hands, wrists, feet and ankles).

For customers in Canada

The installer of this radio equipment must ensure that the antenna is located or pointed such that it does not emit RF field in excess of Health Canada limits for the general population; Consult Safety Code 6, obtainable from Health Canada's website www.hc-sc.gc.ca/rpb.

continue to next page →



Disposal of Old Electrical & Electronic Equipment (Applicable in the European Union and other European countries with separate collection systems)

This symbol on the product or on its packaging indicates that this product shall not be treated as household waste. Instead it shall be handed over to the applicable collection point for the recycling of electrical and electronic equipment. By ensuring this product is disposed of correctly, you will help prevent potential negative consequences for the environment and human health, which could otherwise be caused by inappropriate waste handling of this product. The recycling of materials will help to conserve natural resources. For more detailed information about recycling of this product, please contact your local Civic Office, your household waste disposal service or the shop where you purchased the product.

Applicable accessory: Car battery adapter

Caution

IN NO EVENT SHALL SONY BE LIABLE FOR ANY INCIDENTAL, INDIRECT OR CONSEQUENTIAL DAMAGES OR OTHER DAMAGES INCLUDING WITHOUT LIMITATION LOSS OF PROFITS, LOSS OF REVENUE, LOSS OF DATA, LOSS OF USE OF THE PRODUCT OR ANY ASSOCIATED EQUIPMENT, DOWNTIME, AND PURCHASER'S TIME RELATED TO OR ARISING OUT OF THE USE OF THIS PRODUCT, ITS HARDWARE AND/OR ITS SOFTWARE.

Table of Contents

- Warning 6
- Precautions 9
 - On Bluetooth communication (NV-U94T/U74T only)..... 9
- About “Memory Stick” 10
 - What is a “Memory Stick”? 10
 - Types of “Memory Stick Duo” that the system can use 10
- Note on LCD panel 11
- Maintenance 11
 - Cleaning 11
 - Fuse replacement..... 11
- Notes on unit disposal 12
- Specifications 14
- Troubleshooting..... 16
 - Resetting the unit..... 16
 - Checklist 16



Warning

PLEASE READ THIS MANUAL AND THE SUPPLIED “QUICK START GUIDE” COMPLETELY BEFORE INSTALLING OR OPERATING YOUR PERSONAL NAVIGATION SYSTEM. IMPROPER INSTALLATION OR USE OF THIS DEVICE MAY CAUSE ACCIDENT, INJURY OR DEATH.

Be sure to use the supplied or optional car battery adapter or AC adapter, which is compatible with the unit/cradle. Otherwise, excessive voltage may be applied to the unit/cradle and may cause smoke, fire, or accident. For details on optional accessories for your model, see “Specifications” on page 14.

Do not connect the car battery directly to the jack on the unit, as it may cause a malfunction. Be sure to use the supplied car battery adapter for connection.

On safety

- Be sure to:
 - install the navigation system in a safe place where it does not obstruct the driver’s view.
 - not install the unit above an airbag.
 - place the cables and cradle where they do not obstruct driving.
 - attach the unit to the cradle properly, otherwise the unit may fall.
 - clean the surface of the suction cup and attachment surface before attaching. When installing on the dashboard, clean the surface on which the suction cup will be attached. Also, confirm that the suction cup is securely attached after installation. Otherwise, the unit or cradle may fall.
- Failure to do so may result in unsafe driving conditions.
- Do not apply excessive force to the unit or cradle as it may fall.
- Comply with local traffic rules, laws and regulations.

- Do not continuously watch the unit while driving. It is dangerous and may cause a traffic accident.
- If you need to operate the navigation system while driving, be sure to stop the car in a safe place before operating.
- Do not modify the unit.
- Do not disassemble the unit except when disposing of it.

On installation

- Before installing the unit, check your local traffic laws and regulations.
- Make sure you install the unit properly using only the hardware provided and avoid mounting it onto any critical component of the vehicle.
- For information about the polarity, battery voltage and location of the airbag in your car, please consult your car dealer.
- Take care to prevent cords or wires from getting tangled or crimped in the moving portion of the seat rail.
- Please consult a qualified technician or service personnel if you cannot attach the cradle to the car securely.

CAUTION

- Do not install the cradle where it will be subjected to heat/high temperature.
- Depending on the size or shape of the cigarette lighter socket, connection may not be possible.
- Before installing the TMC antenna, clean the surface of its suction cups and attachment surfaces. Attach the suction cups, pressing firmly against the windshield to expel air inside.

On handling

- Do not let foreign objects get inside the connector of the unit, as it may cause malfunction.
- When the unit is not in use, turn it off by sliding I/⏻. Remove the unit from the cradle, then disconnect the car battery adapter, otherwise battery drain may result. Note the following: If your car's cigarette lighter socket is not connected to ACC on your ignition switch, power will continue to be supplied to the unit's built-in power supply even when the ignition is off or the unit is not in use.
- Do not connect any accessory other than those supplied or optional.
- Do not expose the unit to fire or water, as it may cause malfunction.
- To disconnect a cable, pull it out by grasping the plug, not the cable.
- Be sure to remove the unit out of the car when leaving your car to prevent theft or high temperature damage inside the car.
- If the cradle is left attached to the dashboard for a long time, the suction cup may leave a mark on the dashboard. Be sure to detach the cradle from the dashboard when it is not being used.
- Detach and reattach the cradle regularly to maintain the attachment strength of the suction cup.
- Note that it may be difficult to detach the cradle at low temperatures.
- Note that the built-in battery cannot be charged outside the temperature range 5 – 45 °C (41 – 113 °F).
- Do not leave the unit in high ambient temperature as the built-in battery capacity will deteriorate, or will become unchargeable.

On the suction cup

Small bubbles may exist on the suction cup. These bubbles, however, do not affect the suction cup's performance.

On GPS

As GPS information is obtained from satellites, it may be impossible or difficult to obtain information in locations such as:

- Tunnel or underground
- Under a highway
- Between high buildings
- Between tall trees with dense foliage

Note

GPS signal reception may be poor depending on the material of the car's windshield.

On the positioning system (POSITION plus) (NV-U94T only)

The system has a function that allows the current car position to be correctly displayed even at locations where the GPS signal is temporarily interrupted or poorly received, as when going under an overpass. To activate this function, do the following:

- Attach the unit to the cradle.
- Drive for a while in an area where the GPS signal is clearly received.

The positioning system will become ready for operation after you have driven a little with the unit on.

Notes

- *The accuracy of this function may deteriorate if the unit is installed near a heated or heat-reflecting windshield.*
- *Depending on the conditions, the current car position or the movement may not be accurately displayed. This, however, will be corrected as soon as the GPS signal reception resumes.*

On the battery discharge mode (NV-U94T/U84 only)

If the unit's internal temperature becomes excessive, it enters battery discharge mode and automatically reduces the charge capacity to protect the battery. In this case, the unit turns on (display remains off), even while not in use.

continue to next page →

IMPORTANT NOTICE for the Bluetooth function! (NV-U94T/U74T only)

Safe and efficient use

Changes or modifications to this unit not expressly approved by Sony may void the user's authority to operate the equipment.

Please check for exceptions, due to national requirement or limitations, in usage of Bluetooth equipment before using this product.

Driving

Check the laws and regulations on the use of cellphones and hands-free equipment in the areas where you drive.

Always give full attention to driving and pull off the road and park before making or answering a call if driving conditions so require.

Radio frequency exposure

RF signals may affect improperly installed or inadequately shielded electronic systems in cars, such as electronic fuel injection systems, electronic antiskid (antilock) braking systems, electronic speed control systems or airbag systems. For installation or service of this device, please consult with the manufacturer or its representative of your car. Faulty installation or service may be dangerous and may invalidate any warranty that may apply to this device.

Consult with the manufacturer of your car to ensure that the use of your cellphone in the car will not affect its electronic system.

Check regularly that all wireless device equipment in your car is mounted and operating properly.

Connecting to other devices

When connecting to any other device, please read its user guide for detailed safety instructions.

Emergency calls

This Bluetooth car hands-free and the electronic device connected to the hands-free operate using radio signals, cellphone, and landline networks as well as user-programmed function, which cannot guarantee connection under all conditions. Therefore do not rely solely upon any electronic device for essential communications (such as medical emergencies).

Remember, in order to make or receive calls, the hands-free and the electronic device connected to the hands-free must be switched on in a service area with adequate cellular signal strength.

Emergency calls may not be possible on all cellphone networks or when certain network services and/or phone features are in use.

Check with your local service provider.

On the software

Read the End-User License Agreement carefully before use.

Warning

- This navigation system should not be used as a substitute for your own judgment. Any route suggestions made by this navigation system may never override any local traffic regulations, your own judgment, and/or knowledge of safe driving practices. Disregard route suggestions by the navigation system if such suggestions would: cause you to perform a hazardous or illegal maneuver, place you in a hazardous situation, or route you into an area you consider unsafe.
- The advice provided by the navigation system is to be regarded only as a suggestion(s). There may be situations where the navigation system displays the vehicle's location incorrectly, fails to suggest the shortest course, and/or fails to direct you to your desired destination. In such situations, rely on your own driving judgment, taking into account current driving conditions.
- Do not use the navigation system to route you to emergency services. The database does not contain a complete listing of locations of emergency service providers such as police, fire stations, hospitals and clinics. Please use your judgment and your ability to ask for directions in these situations.

- As a driver you are solely responsible for your road safety.
 - In order to avoid traffic accidents, do not operate the system while driving.
 - In order to avoid traffic accidents, operate the system only when the vehicle is stopped at a safe place and the parking brake is set.
 - In order to avoid a traffic accident or traffic offence, remember that actual road conditions and traffic regulations take precedence over the information contained in the navigation system.
 - Accordingly, the Software may contain inaccurate or incomplete information due to the passage of time, changing circumstances, and due to the nature of the sources used. Please observe the actual traffic circumstances and regulations at all times while driving.
 - In a situation when actual road conditions and traffic regulations differ from the information contained in the navigation system, then abide by traffic rules.
 - The navigation system does not provide, or account for in any way; information regarding traffic and road laws; vehicle specifications including weight, height, width, load, and/or speed restrictions; road conditions including road slope, grade, and/or surface conditions; obstruction information including bridge and tunnel height and width, and/or other prevailing driving and/or road conditions. Always rely on your own driving judgment, taking into account current driving conditions.
 - Minimize the amount of time spent viewing the screen while driving.

Precautions

On Bluetooth communication (NV-U94T/U74T only)

- Bluetooth wireless technology operates within a range of about 10 m (about 30 ft). Maximum communication range may vary depending on obstacles (person, metal, wall, etc.) or electromagnetic environment.
- When using the Bluetooth function, install the unit within 60 cm (about 20 in) from the driver.
- The following conditions may affect the sensitivity of Bluetooth communication:
 - There is an obstacle such as a person, metal, or wall between this unit and Bluetooth device (cellphone, etc.).
 - A device using 2.4 GHz frequency, such as a wireless LAN device, cordless telephone, or microwave oven, is in use near this unit.
- Because Bluetooth devices and wireless LAN (IEEE802.11b/g) use the same frequency, microwave interference may occur and result in communication speed deterioration, noise, or invalid connection if this unit is used near a wireless LAN device. In such as case, perform the following:
 - Use this unit at least 10 m (about 30 ft) away from the wireless LAN device.
 - If this unit is used within 10 m (about 30 ft) of a wireless LAN device, turn off the wireless LAN device.
 - Install this unit and Bluetooth device as near to each other as possible.
- Microwaves emitting from a Bluetooth device may affect the operation of electronic medical devices. Turn off this unit and other Bluetooth devices in the following locations, as it may cause an accident:
 - where inflammable gas is present, in a hospital, train, airplane, or a gas station
 - near automatic doors or a fire alarm

continue to next page →

About “Memory Stick”

- This unit supports security capabilities that comply with the Bluetooth standard to provide a secure connection when the Bluetooth wireless technology is used, but security may not be enough depending on the setting. Be careful when communicating using Bluetooth wireless technology.
- We do not take any responsibility for the leakage of information during Bluetooth communication.
- Connection with all Bluetooth devices cannot be guaranteed.
 - A device featuring Bluetooth function is required to conform to the Bluetooth standard specified by Bluetooth SIG, and be authenticated.
 - Even if the connected device conforms to the above mentioned Bluetooth standard, some devices may not be connected or work correctly, depending on the features or specifications of the device.
 - While talking on the phone hands-free, noise may occur, depending on the model of your cellphone or communication environment.
- Depending on the device to be connected, it may require some time to start communication.

Others

- Using the Bluetooth device may not function on cellphones, depending on radio wave conditions and location where the equipment is being used.
- If you experience discomfort after using the Bluetooth device, stop using the Bluetooth device immediately. Should any problem persist, consult your nearest Sony dealer.

What is a “Memory Stick”?

“Memory Stick” is a compact-size IC recording medium with a large capacity. It has been designed not only for exchanging/sharing digital data among “Memory Stick” compatible products, but also for serving as an insertable/removable external storage medium that can save data.

Types of “Memory Stick Duo” that the system can use

With the system, you can use the following types of “Memory Stick Duo.”*1

- “Memory Stick Duo” (Not compatible with MagicGate)
- “MagicGate Memory Stick Duo”*2
- “Memory Stick PRO Duo”*2

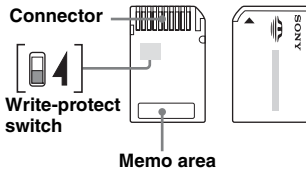
*1 *The system has been demonstrated as operable with a “Memory Stick Duo” with a capacity of 16 GB or smaller. However, we do not guarantee the operations of all the “Memory Stick Duo” media.*

*2 *“MagicGate Memory Stick Duo” and “Memory Stick PRO Duo” are equipped with MagicGate functions. MagicGate is copyright protection, using encryption technology. Data with MagicGate protection cannot be played with this unit.*

Notes

- *This system does not support parallel high-speed data transfer.*
- *Standard-size “Memory Stick” cannot be used in this system.*
- *When using a “Memory Stick Duo,” make sure to check correct insertion direction. Wrong usage may cause trouble with the system.*
- *Do not insert “Memory Stick Micro” directly into “Memory Stick PRO” compliant product without M2* adapter supplied with the media (or sold separately). If you attempt to insert it without attaching to the M2* adapter, it may not be able to be removed.*
- *Do not place the “Memory Stick Duo,” “Memory Stick Micro,” or M2* adapter within the reach of children to prevent them from swallowing it by accident.*
- *Avoid removing the “Memory Stick Duo” from the system while the system is reading or writing data.*

- *Data may be damaged in such occasions:*
 - “Memory Stick Duo” is removed or the system is turned off during a read or write operation.
 - “Memory Stick Duo” is used in a location subject to static electricity or electrical noises.
- *We recommend that you backup any important data.*
- *Do not bend, drop or apply strong shock to the “Memory Stick Duo.”*
- *Do not disassemble or modify the “Memory Stick Duo.”*
- *Do not allow the “Memory Stick Duo” to get wet.*
- *Do not use or store the “Memory Stick Duo” in a location that is subject to:*
 - Extremely high temperature, such as in a car parked in the sun
 - Direct sunlight
 - High humidity or places with corrosive substances



- *Do not touch the “Memory Stick Duo” connector with your finger or metallic objects.*
- *You cannot record, edit or delete data if you slide the write-protect switch to LOCK.*
- *When you slide the write-protect switch of the “Memory Stick Duo,” use a thin-pointed device.*
- *When you use a “Memory Stick Duo” without the write-protect switch, be careful not to edit or delete the data by accident.*
- *When you write on the memo area of the attached label, do not write forcefully.*
- *When you carry or store the “Memory Stick Duo,” put it in the case supplied with it.*

* Abbreviation for “Memory Stick Micro.”

Note on LCD panel

Some stationary blue, red or green dots may appear on the monitor. These are called “bright spots,” and can happen with any LCD. The LCD panel is precision-manufactured with more than 99.99 % of its segments functional. However, it is possible that a small percentage (typically 0.01 %) of the segments may not light up properly. This will not, however, interfere with your viewing.

Maintenance

Cleaning

- Clean the surface of the suction cup with a soft, wet lint-free cloth if it becomes dirty and attachment strength weakens. Be sure to dry the suction cup before reattaching.
- Clean the display window with a commercially available cleaning cloth.

Note

If the suction cup leaves a trace on the windshield, wipe with water.

Fuse replacement

When replacing the fuse in the car battery adapter, be sure to use one matching the amperage rating stated on the original fuse (**2.5 A**). If the fuse blows, check the power connection and replace the fuse. If the fuse blows again after replacement, there may be an internal malfunction. In such a case, consult your nearest Sony dealer.

Warning

Never use a fuse with an amperage rating exceeding the one supplied with the unit as this could damage the unit.

Notes on unit disposal

Remove the built-in lithium-ion battery when disposing of the unit, and return the battery to a recycling location.

The procedure for removing the battery is explained below.

Note

Never disassemble the unit except when disposing of it.

Notes on the lithium-ion battery

- Keep the battery out of the reach of children.
- Do not hold the battery with metallic tweezers, otherwise a short-circuit may occur.

WARNING

Battery may explode if mistreated.
Do not recharge, disassemble, or dispose of in fire.

RECYCLING LITHIUM-ION BATTERIES

Lithium-ion batteries are recyclable. You can help preserve our environment by returning your used rechargeable batteries to the collection and recycling location nearest you.

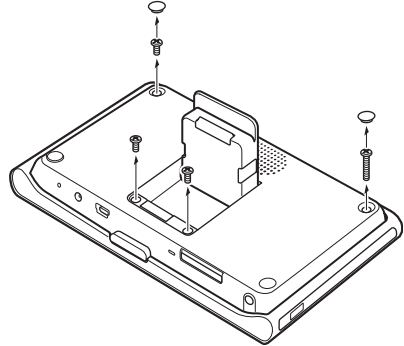


For more information regarding recycling of rechargeable batteries, call toll free 1-800-822-8837, or visit <http://www.rbc.org/>.

Caution: Do not handle damaged or leaking Lithium-ion batteries.

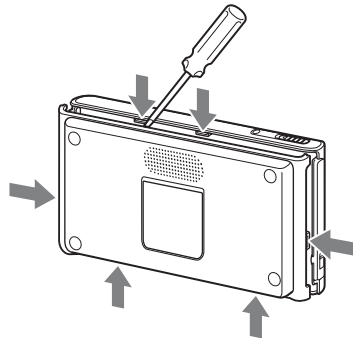
NV-U94T/U84

- 1 Press the **RESET** button to turn off the unit.
- 2 Remove the 2 rubber plugs on the rear of the unit, then the 4 screws using a screw driver.

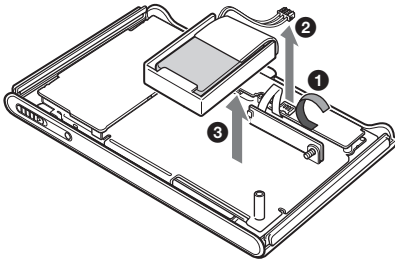


- 3 Remove the rear cover.

Use a sharp object, such as a flat head screw driver, in the places shown in the illustration to release the catches and open the rear cover.



4 Remove the battery.



5 Insulate the connector terminal by wrapping with a tape.

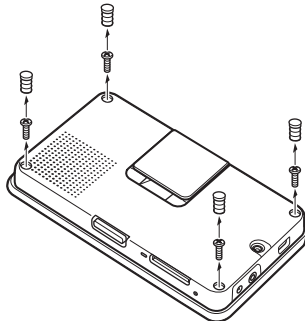
Notes

- Be sure to remove the battery with the case attached.
- Do not damage the battery with a sharp object such as a screw driver.

NV-U74T

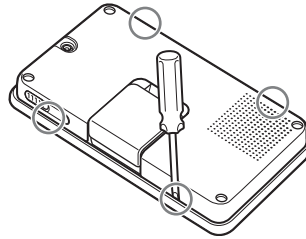
1 Press the RESET button to turn off the unit.

2 Remove the 4 rubber plugs on the rear of the unit, then the 4 screws using a screw driver.

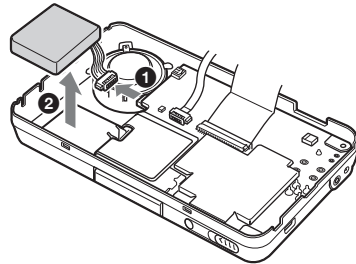


3 Remove the rear cover.

Use a sharp object, such as a flat head screw driver, in the places shown in the illustration to release the catches and open the rear cover.



4 Remove the battery.



5 Insulate the connector terminal by wrapping with a tape.

Note

Do not damage the battery with a sharp object such as a screw driver.

Specifications

NV-U94T/U84

Main unit

Operating temperature: 5 – 45 °C (41 – 113 °F)

Power requirements: DC 5 V

from supplied USB cable or optional AC adapter

Connection terminals:

- Cradle connector
- DC IN 5V jack
- USB jack
- External GPS antenna jack
- Headphone jack

Memory card slot: Memory Stick Duo slot

Speaker: 20 × 40 mm (0.8 × 1.6 in) oval speaker

Consumption current: Max. 1.5 A

Dimensions: Approx. 150 × 87 × 20 mm
(5.9 × 3.4 × 0.8 in)

(w × h × d, protruding parts excluded)

Mass: Approx. 250 g (8.8 oz)

Monitor

System: Transmissive liquid crystal display

Dimensions: 4.8 in (16:9)

Approx. 106 × 60, 122 mm
(4.2 × 2.4, 4.8 in) (h × v, d)

Segment: 391,680 (816 × 480) dots

Wireless Communication

(NV-U94T only)

Communication System:

Bluetooth Standard version 2.0

Output: Bluetooth Standard Power Class 2

(Max. +4 dBm)

Maximum communication range:

Line of sight approx. 10 m (32.8 ft)*1

Frequency band:

2.4 GHz band (2.4000 – 2.4835 GHz)

Modulation method: FHSS

Compatible Bluetooth Profiles*2:

- HFP (Hands-free Profile)
- OPP (Object Push Profile)
- A2DP (Advanced Audio Distribution Profile)

*1 *The actual range will vary depending on factors such as obstacles between devices, magnetic fields around a microwave oven, static electricity, reception sensitivity, antenna's performance, operating system, software application, etc.*

*2 *Bluetooth standard profiles indicate the purpose of Bluetooth communication between devices.*

Cradle

Operating temperature: 5 – 45 °C (41 – 113 °F)

Power requirements: DC 5.2 V

from supplied 12 V/24 V car battery adapter
(negative ground)

Connection terminals:

- Unit connector
- DC IN 5.2V jack
- TMC antenna jack (NV-U94T only)

Reception frequency: 87.5 – 108.0 MHz
(NV-U94T only)

Built-in battery charging time/usage time

Charging time

With the supplied car battery adapter/optional AC adapter: Approx. 3 hours (with unit turned on), or 1.5 hours (in standby mode)

With the supplied USB cable:

Approx. 3 hours (in standby mode)

Usage time

Up to 2 hours (depending on usage)

Optional accessories

AC Adapter: XA-AC13

Car Battery Adapter: XA-DC3

TMC Car Cradle: NVA-CU5T

External GPS Antenna: VCA-42

Design and specifications are subject to change without notice.



- Halogenated flame retardants are not used in the certain printed wiring boards.
- Halogenated flame retardants are not used in cabinets.
- Use of rechargeable lithium ion batteries.
- Recycled plastic is partially used for the cabinets and the cradle.
- Corrugated cardboard is used for the packaging cushions.
- VOC (Volatile Organic Compound)-free vegetable oil based ink is used for printing the carton.

NV-U74T

Main unit

Operating temperature: 5 – 45 °C (41 – 113 °F)

Power requirements: DC 5 – 5.2 V

from supplied USB cable, optional AC adapter, or supplied 12 V/24 V car battery adapter (negative ground)

Connection terminals:

DC IN 5-5.2V jack

USB jack

External GPS antenna jack

TMC antenna jack

Reception frequency: 87.5 – 108.0 MHz

Memory card slot: Memory Stick Duo slot

Speaker: ø30 mm (1.2 in) circular speaker

Consumption current: Max. 1.5 A

Dimensions: Approx. 133 × 79 × 20 mm

(5.2 × 3.1 × 0.8 in)

(w × h × d, protruding parts excluded)

Mass: Approx. 210 g (7.4 oz)

Monitor

System: Transmissive liquid crystal display

Dimensions: 4.3 in (16:9)

Approx. 95 × 54, 109 mm

(3.7 × 2.1, 4.3 in) (h × v, d)

Segment: 391,680 (816 × 480) dots

Wireless Communication

Communication System:

Bluetooth Standard version 2.0

Output: Bluetooth Standard Power Class 2

(Max. +4 dBm)

Maximum communication range:

Line of sight approx. 10 m (32.8 ft)*1

Frequency band:

2.4 GHz band (2.4000 – 2.4835 GHz)

Modulation method: FHSS

Compatible Bluetooth Profiles*2:

HFP (Hands-free Profile)

OPP (Object Push Profile)

*1 *The actual range will vary depending on factors such as obstacles between devices, magnetic fields around a microwave oven, static electricity, reception sensitivity, antenna's performance, operating system, software application, etc.*

*2 *Bluetooth standard profiles indicate the purpose of Bluetooth communication between devices.*

Built-in battery charging time/usage time

Charging time

With the supplied car battery adapter/optional AC adapter: Approx. 2 hours (with unit turned on), or 1 hour (in standby mode)

With the supplied USB cable:

Approx. 2 hours (in standby mode)

Usage time

Up to 2 hours (depending on usage)

Optional accessories

AC Adapter: XA-AC13

Car Battery Adapter: XA-DC3

Car Cradle: NVA-CU6

External GPS Antenna: VCA-42

Design and specifications are subject to change without notice.



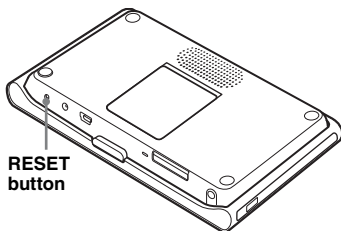
- Halogenated flame retardants are not used in the certain printed wiring boards.
- Halogenated flame retardants are not used in cabinets.
- Use of rechargeable lithium ion batteries.
- Recycled plastic is partially used for the cabinets and the cradle.
- Corrugated cardboard is used for the packaging cushions.
- VOC (Volatile Organic Compound)-free vegetable oil based ink is used for printing the carton.

Troubleshooting

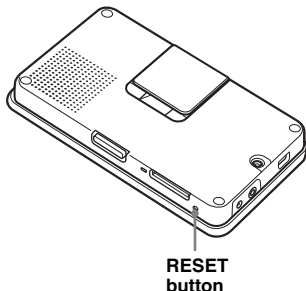
Resetting the unit

When you encounter any malfunction with software or hardware, try resetting the unit first. Press the RESET button, then turn on the unit.

NV-U94T/U84



NV-U74T



Note

After you reset the unit, it may take some time to receive GPS signals when turning on the unit.

Checklist

The following checklist will help you remedy problems you may encounter with your unit. Before going through the checklist below, check the connection and operating procedures.

General

The unit does not turn on.

- Charge the built-in battery.
- Check that the car battery adapter is securely inserted into the cigarette lighter socket.

The unit turns on automatically (display remains off), even while not in use. (NV-U94T/U84 only)

If the unit's internal temperature becomes excessive, it enters battery discharge mode and turns on automatically to reduce the charge capacity to protect the battery.

The CHG indicator is off even while the adapter is connected. (NV-U94T/U84 only)

The CHG indicator turns off during the battery discharge mode.

The built-in battery cannot be charged.

- Turn on the unit, then turn off the unit.
- If the car battery adapter is being used, disconnect it from the cigarette lighter socket, then reconnect.
- Turn on the computer during USB charge.
 - Note that the CHG indicator may light up in green in the computer standby mode, even though the built-in battery is not fully charged.
- The built-in lithium-ion battery can be charged at temperatures between 5 – 45 °C (41 – 113 °F). The battery may not be charged if the temperature inside the unit increases because of direct sunlight exposure, etc. This is not a malfunction.
- If the usage time of the built-in battery becomes excessively short after charging, the battery may have deteriorated. (NV-U94T/U84 only)
 - Contact the Customer Support Center:
 - U.S.A.: 1-800-222-7669
 - Canada: 1-877-899-7669

The LCD is not displayed normally.


In high temperatures, the LCD may darken and not display clearly. In low temperatures, afterimage may occur on the LCD. These are not malfunctions, and the LCD will return to normal when the temperature returns to within the specified operating range.

The cradle comes off the attachment surface.

Attachment strength weakens if the surface of the suction cup or attachment surface becomes dirty.

→ Clean the surface of the suction cup and the attachment surface with a soft, wet lint-free cloth (page 11).

Navigation**GPS signal cannot be received.**

Firstly, read the GPS overview (page 7), then check the GPS status by touching  in the main menu → “General” → “GPS Status.”

- The system cannot receive GPS signals due to an obstruction.
 - Move your car to a place where signals can be received clearly.
 - There is an obstacle in front of the GPS antenna.
 - Install the unit where the signal is not interrupted by the body of the car, etc.
 - GPS signal reception may be poor depending on the material of the car’s windshield.
 - Use the optional External GPS Antenna VCA-42.
-

The car position on the map does not match the current road.


The error margin of the signal from the GPS satellites is too large. A maximum error margin of a few hundred meters can exist.

Voice guidance cannot be heard.

The volume is set too low.

→ Raise the volume.

The demonstration mode starts automatically even if no operation is performed.

→ Turn off the auto demonstration mode by touching  in the main menu → “General” → “Demonstration Mode.” Then, confirm that “Automatic Demonstration” is set to off.

Bluetooth function (NV-U94T/U74T only)**The connecting device (cellphone, etc.) cannot detect this unit.**

- Set “Bluetooth Signal” to “ON.”
 - While connecting to a Bluetooth device, this unit cannot be detected from another device.
 - Disconnect the current connection and search for this unit from another device.
-

Bluetooth connection is not possible.

- Perform pairing again.
 - Check the pairing and connection procedures in the manual of the other device, etc., and perform the operation again.
 - Go to the Sony website to verify that the other device is one that can be connected to this unit.
 - Depending on the other device, searching from this unit may not be possible.
 - Search for this unit from the other device.
 - Depending on the status of the other device, searching from this unit may not be possible.
 - Search for this unit from the other device.
-

The name of the detected device does not appear.

- Perform pairing again.
 - Depending on the status of the other device, it may not be possible to obtain the name.
-

The caller’s voice volume is low.

→ Adjust the volume by touching +/- in the display.

Echo or noise occurs in phone call conversations.

- Lower the volume.
 - If the ambient noise other than the phone call sound is loud, try reducing this noise. E.g.: If a window is open and road noise, etc., is loud, shut the window. If the air conditioner is loud, lower the air conditioner.
-

The sound quality of the caller’s voice is poor.

Phone sound quality depends on reception conditions of cellphone.

- Move your car to a place where you can enhance the cellphone’s signal if the reception is poor.

Some functions do not work.

→ Check that the connecting device supports the functions in question.

continue to next page →

The name of the other party does not appear when a call is received.

- The other party is not stored in the phone book.
→ Store in the phone book.
- The calling phone is not set to send the phone number.

Pairing failed due to time out.

Depending on the connecting device, the time limit for pairing may be short. Try completing the pairing within the time.

No sound is output from the unit's speaker during hands-free call.

→ If the sound is output from the cellphone, set the cellphone to output the sound from the unit's speaker.

Audio playback (NV-U94T only)**Audio playback is not possible.**

- A "Memory Stick Duo" containing audio files is not inserted in the unit.
- The unit supports only MP3 (MPEG-1 Audio Layer-3) files with sampling frequency 32/44.1/48 kHz, and bit rate 32 to 320 kbps (VBR).
- Copyright-protected AAC (Advanced Audio Coding) files cannot be played back.
- The unit supports only AAC-LC files with sampling frequency 8/11.025/12/16/22.05/24/32/44.1/48 kHz, and bit rate 16 to 320 kbps (VBR). Depending on the sampling frequency, the bit rate may include non-standard or non-guaranteed bit rates.

Video playback (NV-U94T only)**Video playback is not possible.**

- A "Memory Stick Duo" containing video files is not inserted in the unit.
- The unit supports only MP4 (MPEG-4 Simple Profile) files.
- The unit supports only video files with resolution QVGA (320 × 240).

Jittering occurs during video playback.

If a video file of frame rate over 15 fps and bit rate over 384 kbps is played, jitter may occur.

Photo playback**Photo playback is not possible.**

- A "Memory Stick Duo" containing photo files is not inserted in the unit.
 - The unit supports only JPEG files.
 - The unit supports only photos with a maximum pixel number of 12 mega.
-

Utilisation des manuels

Les manuels suivants sont fournis avec l'appareil.

Avant d'installer ou d'utiliser cet appareil, lisez attentivement ces manuels et conservez-les pour toute référence ultérieure.

- **Guide de démarrage rapide**

Contient des instructions relatives aux opérations de base, telles que l'installation, les opérations de navigation, etc.

Après avoir lu ce guide, vous devriez être prêt à utiliser l'appareil.

- **Information importante (ce manuel)**

Contient des instructions importantes à lire avant toute utilisation, y compris des avertissements, des spécifications et des instructions de dépannage.

Pour approfondir l'apprentissage des caractéristiques techniques et des fonctions

Le « Mode d'emploi » (PDF) contenant des descriptions de toutes les fonctions est disponible en ligne. Vous pouvez le télécharger sur : <http://esupport.sony.com/>

Remarques à propos de ce manuel

- Ce manuel contient des instructions relatives aux modèles NV-U94T, U84 et U74T.

Les fonctions disponibles varient selon le modèle.

Le tableau suivant indique les principales différences entre les modèles.

	U94T	U84	U74T
POSITION plus	●		
Mode de décharge de la batterie	●	●	
TMC (Canal de messages relatif au trafic)	●		●
Bluetooth	●		●
Lecture audio/vidéo	●		

Vérifiez le nom de votre modèle et reportez-vous aux indications correspondantes dans chaque section de ce manuel.

- Les illustrations de ce mode d'emploi peuvent être différentes de celles de votre appareil.

Avertissement

L'utilisation de cet appareil est soumise aux deux conditions suivantes :

- cet appareil ne doit pas provoquer d'interférences.
- cet appareil doit accepter toutes les interférences, y compris les interférences susceptibles de provoquer un fonctionnement indésirable de l'appareil.

Cet appareil a été testé et déclaré conforme aux limites définies pour un appareil numérique de classe B conformément à la Partie 15 des règlements de la FCC. Ces limites sont destinées à assurer une protection raisonnable contre les interférences nuisibles dans une installation résidentielle.

Cet équipement génère, utilise et peut émettre une énergie de radiofréquences et, s'il n'est pas installé et utilisé conformément aux instructions, il risque de provoquer des interférences nuisibles pour les communications radio. Toutefois, il n'est pas garanti qu'aucune interférence ne se produira dans une installation donnée. Si cet équipement provoque des interférences nuisibles pour la réception de la radio ou de la télévision, ce qui peut être déterminé en éteignant, puis en rallumant l'équipement, il est conseillé à l'utilisateur d'essayer de supprimer les interférences en appliquant l'une ou plusieurs des mesures suivantes :

- réorientation ou déplacement de l'antenne de réception.
- augmentation de la distance entre l'appareil et le récepteur.
- raccordement de l'appareil à une prise située sur un circuit différent de celui auquel le récepteur est raccordé.
- consultation du détaillant ou d'un technicien radio/TV expérimenté pour obtenir de l'aide.

Nous vous informons que tout changement ou toute modification qui n'est pas expressément approuvé dans ce manuel pourrait annuler vos droits à utiliser cet équipement.

Si vous avez des questions concernant ce produit, appelez le Centre d'informations à la clientèle Sony par téléphone au 1-800-222-7669 ou à l'adresse Internet <http://www.sony.com/nav-u/support>

Déclaration de conformité

Appellation commerciale : Sony

N° du modèle : NV-U94T, NV-U84, NV-U74T

Responsable : Sony Electronics Inc.

Adresse : 16530 Via Esprillo,
San Diego, CA 92127
U.S.A.

N° de téléphone : 858-942-2230

Cet appareil est conforme à la Section 15 de la réglementation FCC. Son fonctionnement est sujet aux deux conditions suivantes : (1) Cet appareil ne doit pas provoquer d'interférences nuisibles et (2) Cet appareil doit accepter toute interférence reçue, y compris les interférences pouvant entraîner un mauvais fonctionnement.

suite à la page suivante →

À l'attention des utilisateurs du NV-U94T/ U74T

Cet appareil a été testé et déclaré conforme aux limites définies pour un appareil numérique de classe B conformément à la Partie 15 des règlements de la FCC et à la section RSS-Gen des règlements de Industrie Canada.

Ce transmetteur ne doit pas être placé à proximité ou utilisé avec toute autre antenne ou tout autre transmetteur. Cet équipement est conforme aux limites d'exposition aux radiations définies par la FCC et IC pour les équipements non contrôlés et répond aux conditions définies dans les directives d'exposition aux radiofréquences (RF) dans le supplément C de OET65 de la FCC et au RSS-102 des règlements d'exposition aux radiofréquences (RF) de IC. Cet appareil présente de très faibles niveaux d'énergie RF estimés conformes sans évaluation de l'exposition maximale autorisée (MPE). Toutefois, il est préférable qu'il soit installé et utilisé à une distance minimale de 20 cm entre le radiateur et le corps humain (à l'exclusion des extrémités : mains, poignets, pieds et chevilles).

Pour les clients au Canada

L'installateur de cet équipement radio doit s'assurer que l'antenne est placée ou orientée de façon à ce que son rayonnement n'émette pas un champ de radiofréquences supérieur à ceux définis par les limites de Santé Canada pour le grand public ; consultez le Code de sécurité 6, disponible sur le site Web de Santé Canada : www.hc-sc.gc.ca/rpb.



Traitement des appareils électriques et électroniques en fin de vie (Applicable dans les pays de l'Union Européenne et aux autres pays européens disposant de systèmes de collecte sélective)

Ce symbole, apposé sur le produit ou sur son emballage, indique que ce produit ne doit pas être traité avec les déchets ménagers. Il doit être remis à un point de collecte approprié pour le recyclage des équipements électriques et électroniques. En s'assurant que ce produit est bien mis au rebut de manière appropriée, vous aiderez à prévenir les conséquences négatives potentielles pour l'environnement et la santé humaine. Le recyclage des matériaux aidera à préserver les ressources naturelles. Pour toute information supplémentaire au sujet du recyclage de ce produit, vous pouvez contacter votre municipalité, votre déchetterie ou le magasin où vous avez acheté le produit.

Accessoire compatible : Adaptateur pour batterie de voiture

Attention

EN AUCUN CAS SONY NE POURRA ÊTRE TENUE RESPONSABLE DE TOUT DOMMAGE, DIRECT, INDIRECT, ACCESSOIRE OU DE QUELQUE NATURE QUE CE SOIT OU DE TOUT PRÉJUDICE (SANS QUE LA LISTE CI-APRÈS PUISSE ÊTRE CONSIDÉRÉE COMME LIMITATIVE), TEL QUE PERTE DE BÉNÉFICE, PERTE DE REVENUS, PERTE DE DONNÉES, PERTE D'USAGE DE L'ÉQUIPEMENT OU DE N'IMPORTE QUEL ÉQUIPEMENT ASSOCIÉ, INDISPONIBILITÉ, PERTE DE TEMPS PAR L'ACHETEUR IMPUTABLE À L'USAGE DE CE PRODUIT, DE SON MATÉRIEL ET/OU DE SON LOGICIEL.

Table des matières

Avertissement	6
Précautions	10
À propos des communications Bluetooth (NV-U94T/U74T uniquement)	10
À propos du « Memory Stick »	11
Qu'est-ce qu'un « Memory Stick » ?	11
Types de « Memory Stick Duo » compatibles	11
Remarque sur le panneau ACL	12
Entretien	12
Nettoyage	12
Remplacement du fusible	12
Remarques sur la mise au rebut de l'appareil	13
Caractéristiques techniques	15
Dépannage	17
Réinitialisation de l'appareil	17
Liste de contrôles	17

Avertissement

LISEZ CE MANUEL ET LE MANUEL « GUIDE DE DÉMARRAGE RAPIDE » FOURNI DANS LEUR INTÉGRALITÉ AVANT D'INSTALLER OU D'UTILISER VOTRE SYSTÈME DE NAVIGATION PERSONNEL. UNE INSTALLATION OU UNE UTILISATION INCORRECTE DE CET APPAREIL PEUT ENTRAÎNER UN ACCIDENT, DES BLESSURES OU LA MORT.

Veillez à utiliser l'adaptateur pour batterie de voiture ou l'adaptateur CA fourni ou en option compatible avec l'appareil/le support. Dans le cas contraire, une tension excessive pourrait être appliquée à l'appareil/au support, ce qui pourrait provoquer de la fumée, un incendie ou un accident.

Pour obtenir des informations détaillées sur les accessoires en option compatibles avec votre modèle, reportez-vous à la section « Caractéristiques techniques » à la page 15.

Ne raccordez pas la batterie de voiture directement à la prise de l'appareil car cela peut provoquer des problèmes de fonctionnement. Veillez à utiliser l'adaptateur pour batterie de voiture fourni pour le raccordement.

À propos de la sécurité

- Veillez à :
 - installer le système de navigation dans un endroit sûr où il ne gêne pas la vision du conducteur.
 - ne pas installer l'appareil au-dessus d'un coussin autogonflable.
 - placer les câbles et le support à un endroit où ils ne gênent pas la conduite.
 - fixer l'appareil correctement sur le support afin qu'il ne tombe pas.

– nettoyer la surface de la ventouse et la surface de fixation avant de l'installer. Lors de l'installation sur le tableau de bord, nettoyez la surface sur laquelle la ventouse est installée. Vérifiez également que la ventouse est bien fixée après l'installation. Sinon, l'appareil ou le support peut tomber.

Si vous n'observez pas ces précautions, la conduite risque d'être dangereuse.

- N'appliquez pas de pression excessive sur l'appareil ou le support car ceci peut les faire tomber.
- Respectez les réglementations sur le trafic routier en vigueur dans votre pays.
- Ne regardez pas le moniteur en permanence lorsque vous conduisez. Cela est dangereux et peut entraîner un accident.
- Si vous devez utiliser le système de navigation en conduisant, arrêtez la voiture dans un endroit sûr avant de l'utiliser.
- Ne modifiez pas l'appareil.
- Ne démontez pas l'appareil sauf pour le mettre au rebut.

À propos de l'installation

- Avant d'installer l'appareil, vérifiez le code de la route et les lois en vigueur dans votre pays.
- Installez l'appareil correctement en utilisant exclusivement le matériel fourni et évitez de l'installer sur un composant dangereux du véhicule.
- Pour plus d'informations sur la polarité, la tension de la batterie et l'emplacement du coussin autogonflable dans votre véhicule, veuillez consulter votre concessionnaire.
- Veillez à ce que les cordons ou les fils ne s'em mêlent pas et n'ondulent pas dans une partie mobile du rail du siège.
- Consultez un technicien qualifié ou un employé du service après-vente si vous ne parvenez pas à installer le support correctement sur le véhicule.

ATTENTION

- N'installez pas le support à un endroit où il sera soumis à des températures élevées.
- Selon la taille ou la forme de la prise d'allumecigare, le raccordement risque d'être impossible.

- Avant d'installer l'antenne TMC, nettoyez la surface de ses ventouses et ses surfaces de fixation. Fixez les ventouses en les pressant fermement contre le pare-brise pour expulser l'air qui se trouve à l'intérieur.

À propos de la manipulation

- Ne laissez pas des corps étrangers pénétrer dans le connecteur de l'appareil car cela peut provoquer des problèmes de fonctionnement.
- Lorsque l'appareil reste inutilisé, mettez-le hors tension en faisant glisser I/⏻. Retirez l'appareil du support, puis débranchez l'adaptateur pour batterie de voiture, sinon la batterie risque de se décharger. Notez les éléments suivants :
Si la prise de l'allume-cigare de votre voiture n'est pas raccordée à la position ACC de la clé de contact, la batterie intégrée continue à être alimentée, même si vous avez coupé le contact ou que l'appareil n'est pas utilisé.
- Ne raccordez aucun autre accessoire que ceux fournis ou en option.
- N'exposez pas l'appareil au feu ou à l'eau car ceci peut provoquer un problème de fonctionnement.
- Pour débrancher un câble, tirez dessus en le saisissant par la fiche et non par le câble.
- Veillez à retirer l'appareil de la voiture lorsque vous quittez celle-ci, pour éviter les risques de vol ou toute détérioration causée par une température élevée à l'intérieur de la voiture.
- Si le support reste fixé au tableau de bord pendant une durée prolongée, la ventouse risque de laisser une marque sur ce dernier. Retirez le support du tableau de bord lorsque vous ne l'utilisez pas.
- Vous maintiendrez la force de fixation de la ventouse en enlevant et réinstallant le support régulièrement.
- Notez qu'il peut s'avérer difficile de retirer le support lorsque la température est faible.
- Notez que la batterie intégrée ne peut être mise en charge à des températures en dehors d'une plage comprise entre 5 et 45 °C (41 à 113 °F).
- Ne laissez pas l'appareil exposé à des températures ambiantes élevées car la capacité de la batterie intégrée risque de se détériorer ou vous risquez de ne plus pouvoir la recharger.

À propos de la ventouse

La ventouse peut présenter des petites bulles. Elles n'affectent toutefois pas les performances de la ventouse.

À propos du GPS

Les informations GPS étant obtenues à l'aide des signaux émis par des satellites, il peut être difficile, voire impossible d'obtenir des informations dans les endroits suivants :

- Tunnel ou souterrain
- Sous une voie rapide
- Entre des bâtiments très élevés
- Entre des grands arbres au feuillage dense

Remarque

La réception des signaux GPS peut être médiocre selon le matériau du pare-brise de la voiture.

À propos du système de positionnement (POSITION plus) (NV-U94T uniquement)

Ce système dispose d'une fonction permettant d'afficher correctement la position actuelle de la voiture même lorsque le signal GPS est temporairement interrompu ou mal capté, comme sous un passage supérieur. Pour activer cette fonction, procédez de la manière suivante :
– fixez l'appareil sur le support.
– conduisez quelques instants dans un endroit où le signal GPS est clairement capté.

Le système de positionnement sera prêt à être utilisé après quelques instants de conduite avec l'appareil sous tension.

Remarques

- *La précision de cette fonction peut se détériorer si l'appareil est installé à proximité d'un pare-brise chauffant ou thermoréfléchissant.*
- *Selon les conditions, la position actuelle de la voiture ou son déplacement peut ne pas s'afficher précisément. Toutefois, ceci est corrigé dès que la réception du signal GPS est rétablie.*

suite à la page suivante →

À propos du mode de décharge de la batterie (NV-U94T/U84 uniquement)

Si la température interne de l'appareil devient trop élevée, celui-ci passe en mode de décharge de la batterie et réduit automatiquement sa capacité de charge afin de protéger la batterie. Dans ce cas, l'appareil se met sous tension (l'écran reste éteint), même s'il n'est pas utilisé.

AVIS IMPORTANT concernant la fonction Bluetooth ! (NV-U94T/U74T uniquement)

Utilisation efficace en toute sécurité

Nous vous informons que tout changement ou toute modification qui n'est pas expressément approuvé(e) par Sony peut annuler vos droits à utiliser cet équipement.

Veillez vérifier les exceptions relatives à l'utilisation d'un équipement Bluetooth conformément aux spécifications ou restrictions nationales avant d'utiliser ce produit.

Conduite

Vérifiez les lois et les réglementations relatives à l'utilisation des téléphones cellulaires et des appareils mains libres dans les zones où vous conduisez.

Soyez toujours très attentif à la conduite et sortez de la route et gardez-vous avant d'effectuer un appel ou d'y répondre si les conditions de circulation le nécessitent.

Exposition aux radiofréquences

Les signaux de radiofréquences peuvent avoir un impact sur les systèmes électroniques de voiture mal installés ou dont le blindage est insuffisant, comme les systèmes d'injection électroniques, les systèmes de freinage antiblocage électroniques, les régulateurs de vitesse électroniques ou les coussins autogonflables. Pour toute installation ou réparation de cet appareil, consultez le fabricant ou le concessionnaire de votre véhicule. Une installation ou une réparation incorrecte peut être dangereuse et annuler la garantie s'appliquant à ce produit.

Consultez le fabricant de votre véhicule pour vous assurer que l'utilisation de votre téléphone cellulaire dans la voiture n'affectera pas son système électronique.

Vérifiez régulièrement que tout l'équipement de l'appareil sans fil de votre voiture est monté et fonctionne correctement.

Raccordement à d'autres appareils

En cas de raccordement à tout autre appareil, lisez le guide d'utilisation s'y rapportant concernant les instructions de sécurité détaillées.

Appels d'urgence

Ce système mains libres Bluetooth et l'appareil électronique raccordé à ce système fonctionnent au moyen de signaux radio, d'un téléphone cellulaire et de réseaux de lignes terrestres, ainsi que d'une fonction programmée par l'utilisateur qui ne peuvent garantir la connexion dans toutes les conditions. Par conséquent ne comptez pas uniquement sur un appareil électronique pour les communications essentielles (comme les urgences médicales).

Gardez bien à l'esprit que pour passer ou recevoir des appels, le système mains libres et l'appareil électronique raccordé à ce système doivent être sous tension et dans une zone de service présentant une intensité de signal cellulaire adéquate.

Les appels d'urgence peuvent ne pas être possibles sur tous les réseaux de téléphone cellulaires ou lorsque certains services réseaux et/ou fonctions téléphoniques sont utilisées. Vérifiez auprès de votre opérateur local.

À propos du logiciel

Veillez lire attentivement l'accord de licence utilisateur final avant utilisation.

Avertissement

- Ce système de navigation ne devra se substituer à votre propre jugement. Toutes suggestions d'itinéraire faite par ce système de navigation ne pourra jamais prévaloir sur quelque réglementation locale de circulation que ce soit, votre propre jugement, et/ou la connaissance des pratiques de conduite sûre. Ne suivez pas des suggestions d'itinéraire du système de navigation au cas où de telles suggestions pourraient vous amener à accomplir une manœuvre dangereuse ou illégale, vous placer dans une situation dangereuse ou vous mèneraient dans un secteur que vous considérez comme non sûr.
- Les conseils donnés par le système de navigation doivent être considérés comme de simples suggestions. Il peut exister des situations où le système de navigation affiche le lieu du véhicule de manière erronée, se trompe dans la suggestion de la route la plus courte, et/ou ne parvient pas à vous diriger vers la destination que vous désirez. Dans de telles situations, fondez-vous sur votre propre jugement de conduite, en prenant en considération les conditions de conduite présentes.
- N'utilisez pas le système de navigation pour vous mener aux services d'urgence. La base de données ne contient pas une liste complète de lieux de services d'urgence comme la police, les pompiers, les hôpitaux et les cliniques. Veuillez faire usage de votre jugement et de votre capacité à demander des directions dans ces situations.
- En tant que conducteur, vous êtes exclusivement responsable de votre sécurité sur la route.
 - Afin d'éviter les accidents de la circulation, n'utilisez pas le système lorsque vous conduisez.
 - Afin d'éviter des accidents de la circulation, n'utilisez le système que lorsque le véhicule est à l'arrêt dans une place sûre et lorsque le frein à main est actionné.
- Afin d'éviter un accident de la circulation ou une infraction au code de la route pendant la conduite, souvenez-vous que les conditions réelles de la route et de la réglementation de la circulation prévalent sur les informations contenues dans le disque.
- Ainsi, le logiciel peut contenir des informations inexacts ou incomplètes en raison de l'écoulement du temps, du changement de circonstances, et en raison de la nature des sources utilisées. Veuillez observer les conditions de circulation réelles et la réglementation à tous moments durant la conduite.
- Dans les cas où les conditions réelles de la route et la réglementation de la circulation diffèrent des informations contenues dans le disque, soumettez-vous aux règles de la circulation.
- Ce système de navigation ne rend pas compte de les réglementations de circulation et route; les limitations de vitesse; les conditions de route y compris la pente de route, le degré de route, et/ou les conditions de surface de route; les obstructions y compris la hauteur et la largeur de pont et tunnel, et/ou l'autres prévaloir conditions de route et/ou de conduite. Toujours se repose sur votre propre jugement de conduite, tenant compte des conditions de conduite de courant.
- Réduisez au minimum le temps passé à visualiser l'écran pendant la conduite.

Précautions

À propos des communications Bluetooth (NV-U94T/U74T uniquement)

- La technologie sans fil Bluetooth fonctionne dans un rayon d'environ 10 m (environ 30 pi). La portée de communication maximale peut varier en fonction des obstacles (personne, métal, mur, etc.) ou de l'environnement électromagnétique.
- Lorsque vous utilisez la fonction Bluetooth, installez l'appareil dans un rayon de 60 cm (environ 20 po) du conducteur.
- Les conditions suivantes peuvent avoir un impact sur la sensibilité de la communication Bluetooth :
 - Il y a un obstacle comme une personne, du métal ou un mur entre cet appareil et un périphérique Bluetooth (téléphone cellulaire, etc.).
 - Un appareil utilisant une fréquence de 2,4 GHz, comme un périphérique LAN sans fil, un téléphone sans fil ou un four à micro-ondes est utilisé à proximité de cet appareil.
- Étant donné que les appareils Bluetooth et LAN (IEEE802.11b/g) sans fil utilisent la même fréquence, des interférences en hyperfréquences peuvent se produire et il peut en résulter une détérioration de la vitesse de communication, des parasites ou une connexion incorrecte si cet appareil est utilisé à proximité d'un périphérique LAN sans fil. En pareil cas, prenez les mesures suivantes :
 - Utilisez cet appareil à une distance d'au moins 10 m (environ 30 pi) du périphérique LAN sans fil.
 - Si cet appareil est utilisé dans un rayon de 10 m (environ 30 pi) autour d'un périphérique LAN sans fil, mettez le périphérique LAN sans fil hors tension.
 - Installez cet appareil et le périphérique Bluetooth aussi près que possible l'un de l'autre.

- Les micro-ondes émises par un périphérique Bluetooth peuvent affecter le fonctionnement des appareils médicaux électroniques. Mettez cet appareil et les autres périphériques Bluetooth hors tension dans les endroits suivants car cela risque de provoquer un accident :
 - en présence de gaz inflammable, dans un hôpital, un train, un avion ou une station service
 - à proximité de portes automatiques ou d'une alarme incendie
- Cet appareil prend en charge des fonctions de sécurité compatibles avec la norme Bluetooth afin d'offrir une connexion sûre lorsque la technologie sans fil Bluetooth est utilisée, mais cette sécurité peut ne pas suffire selon le réglage. Soyez prudent lorsque vous communiquez au moyen de la technologie sans fil Bluetooth.
- Nous ne pouvons en aucun cas être tenus responsables des fuites d'informations en cours de communication Bluetooth.
- La connexion ne peut être garantie avec tous les appareils Bluetooth.
 - Un appareil doté de la fonction Bluetooth doit répondre à la norme Bluetooth spécifiée par Bluetooth SIG et être authentifié.
 - Même si le périphérique raccordé est conforme à la norme Bluetooth mentionnée ci-dessus, il est possible que certains périphériques ne puissent être connectés ou ne fonctionnent pas correctement, selon leurs fonctions ou leurs caractéristiques techniques.
 - Tandis que vous parlez en mains libres au téléphone, des parasites peuvent se produire, selon le modèle de votre téléphone cellulaire ou l'environnement de communication.
- Selon le périphérique à connecter, la communication peut mettre quelques instants à démarrer.

Autres

- L'utilisation de l'appareil Bluetooth peut ne pas fonctionner sur des téléphones cellulaires, selon les conditions des ondes radio et l'emplacement de l'équipement en cours d'utilisation.
- Si vous ressentez une gêne après l'utilisation d'un appareil Bluetooth, cessez immédiatement de l'utiliser. Si le problème persiste, consultez votre détaillant Sony le plus proche.

À propos du « Memory Stick »

Qu'est-ce qu'un « Memory Stick » ?

Un « Memory Stick » est un support d'enregistrement à circuit intégré compact et portatif qui possède une grande capacité de stockage de données. Il est conçu non seulement pour l'échange/le partage de données numériques entre des produits compatibles « Memory Stick », mais également pour servir de support de stockage externe insérable/amovible permettant la sauvegarde de données.

Types de « Memory Stick Duo » compatibles

Vous pouvez utiliser les types de « Memory Stick Duo » suivants avec le système.*1

- « Memory Stick Duo » (non compatible MagicGate)
- « MagicGate Memory Stick Duo »*2
- « Memory Stick PRO Duo »*2

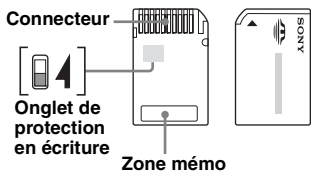
*1 *Ce système a été testé et déclaré compatible avec un « Memory Stick Duo » d'une capacité maximale de 16 Go. Toutefois, nous ne garantissons pas le fonctionnement de tous les supports « Memory Stick Duo ».*

*2 *Les « MagicGate Memory Stick Duo » et « Memory Stick PRO Duo » sont dotés de la fonction MagicGate. MagicGate est une technologie de protection des droits d'auteur par cryptage. Les données protégées par la technologie MagicGate ne peuvent pas être lues avec cet appareil.*

Remarques

- *Ce système ne prend pas en charge le transfert de données parallèles à haute vitesse.*
- *Les « Memory Stick » au format classique ne peuvent pas être utilisés avec ce système.*
- *En cas d'utilisation d'un « Memory Stick Duo », veillez à vérifier le sens d'insertion correct. Une utilisation incorrecte peut perturber le système.*
- *N'insérez pas de « Memory Stick Micro » directement dans un appareil compatible « Memory Stick PRO » sans adaptateur M2* fourni avec le support (ou vendu séparément). Si vous essayez de l'insérer sans fixer l'adaptateur M2*, vous ne pourrez peut-être pas le retirer.*

- Ne placez pas le « Memory Stick Duo », le « Memory Stick Micro » ou l'adaptateur M2* à la portée des enfants pour éviter qu'ils ne l'avalent accidentellement.
- Évitez de retirer le « Memory Stick Duo » du système pendant la lecture ou l'écriture de données.
- Les données peuvent être endommagées dans le cas suivants :
 - Le « Memory Stick Duo » est retiré ou le système est mis hors tension pendant une opération de lecture ou d'écriture.
 - Le « Memory Stick Duo » est utilisé dans un endroit soumis à de l'électricité statique ou des parasites électriques.
- Il est recommandé de sauvegarder toutes les données importantes.
- Ne pliez pas, n'échappez pas ou ne heurtez pas le « Memory Stick Duo ».
- Ne démontez pas ou ne modifiez pas le « Memory Stick Duo ».
- Ne mouillez pas le « Memory Stick Duo ».
- N'utilisez pas ou ne rangez le « Memory Stick Duo » dans un endroit soumis à :
 - des températures très élevées, comme une voiture garée en plein soleil
 - la lumière directe du soleil
 - une humidité élevée ou des endroits soumis à des substances corrosives



- Ne touchez pas le connecteur du « Memory Stick Duo » avec les doigts ou des objets métalliques.
- Il est impossible d'enregistrer, d'éditer ou de supprimer des données si l'onglet de protection en écriture est en position LOCK.
- Pour faire glisser l'onglet de protection en écriture du « Memory Stick Duo », utilisez un objet pointu.
- Lorsque vous utilisez un « Memory Stick Duo » sans onglet de protection en écriture, veillez à ne pas éditer ou supprimer de données accidentellement.
- Lorsque vous écrivez dans la zone mémoire de l'étiquette collée, n'exercez pas de pression.
- Lorsque vous transportez ou rangez le « Memory Stick Duo », placez-le dans le boîtier fourni.

* Abréviation de « Memory Stick Micro ».

Remarque sur le panneau ACL

Des points immobiles bleus, rouges ou verts peuvent apparaître sur le moniteur. Il s'agit de « points lumineux » et ils peuvent apparaître sur n'importe quel écran ACL. Le panneau ACL est le fruit d'une technologie de pointe et plus de 99,99 % des segments sont fonctionnels. Toutefois, un petit pourcentage d'entre eux (généralement 0,01 %) peut ne pas s'allumer correctement. Ceci n'occasionnera toutefois aucune gêne lors du visionnage.

Entretien

Nettoyage

- Nettoyez la surface de la ventouse avec un chiffon doux non pelucheux si elle est sale et si la fixation est moins bonne. Veillez à bien sécher la ventouse avant de la remettre en place.
- Nettoyez la fenêtre d'affichage avec un chiffon de nettoyage disponible dans le commerce.

Remarque

Si la ventouse laisse des traces sur le pare-brise, nettoyez-les avec de l'eau.

Remplacement du fusible

Lorsque vous remplacez le fusible de l'adaptateur pour batterie de voiture, veillez à utiliser un fusible dont la capacité, en ampères, correspond à la valeur indiquée sur l'ancien fusible (**2,5 A**). Si le fusible fond, vérifiez le branchement de l'alimentation et remplacez le fusible. Si le nouveau fusible fond également, il est possible que l'appareil soit défectueux. Dans ce cas, communiquez avec votre détaillant Sony le plus proche.

Avertissement

Ne jamais utiliser de fusible dont la capacité en ampères dépasse celle du fusible fourni avec l'appareil, car cela pourrait endommager l'appareil.

Remarques sur la mise au rebut de l'appareil

Retirez la batterie au lithium-ion lorsque vous mettez l'appareil au rebut et portez la batterie dans un lieu de collecte et de recyclage. La procédure permettant de retirer la batterie est décrite ci-dessous.

Remarque

Ne démontez jamais l'appareil sauf pour le mettre au rebut.

Remarques sur la batterie ion lithium

- Maintenez la batterie hors de portée des enfants.
- Ne tenez pas la batterie avec des pinces métalliques, car cela peut entraîner un court-circuit.

ATTENTION

Utilisée de façon incorrecte, la pile peut exploser. Ne pas la recharger, la démonter ni la jeter au feu.

RECYCLAGE DES ACCUMULATEURS AUX IONS DE LITHIUM

Les accumulateurs aux ions de lithium sont recyclables.

Vous pouvez contribuer à préserver l'environnement en rapportant les piles usées dans un point de collection et recyclage le plus proche.

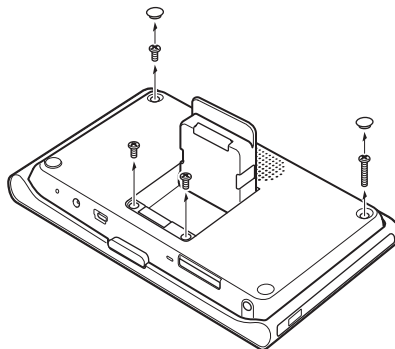
Pour plus d'informations sur le recyclage des accumulateurs, téléphonez le numéro gratuit 1-800-822-8837 (Etats-Unis et Canada uniquement), ou visitez <http://www.rbrc.org/>

Avertissement : Ne pas utiliser des accumulateurs aux ions de lithium qui sont endommagés ou qui fuient.



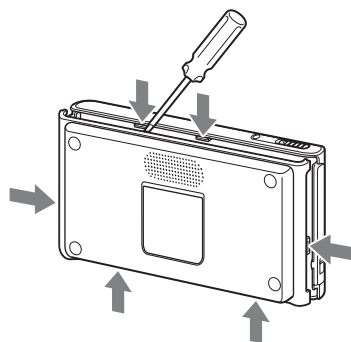
NV-U94T/U84

- 1 Appuyez sur la touche RESET pour mettre l'appareil hors tension.**
- 2 Retirez les 2 capuchons en plastique situés à l'arrière de l'appareil, puis les 4 vis à l'aide d'un tournevis.**



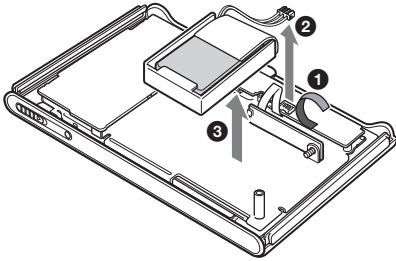
- 3 Retirez le capot arrière.**

Utilisez un objet pointu, comme un tournevis à tête plate, aux endroits indiqués sur l'illustration pour dégager les ergots et ouvrir le capot arrière.



suite à la page suivante →

4 Retirez la batterie.



5 Isolez la borne du connecteur en l'enroulant dans un ruban adhésif.

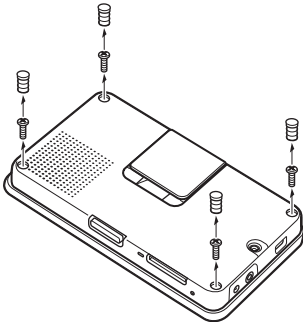
Remarques

- Veillez à retirer la batterie avec l'étui fixé.
- N'abîmez pas la batterie avec un objet pointu, comme un tournevis.

NV-U74T

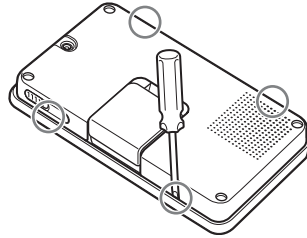
1 Appuyez sur la touche RESET pour mettre l'appareil hors tension.

2 Retirez les 4 capuchons en plastique situés à l'arrière de l'appareil, puis les 4 vis à l'aide d'un tournevis.

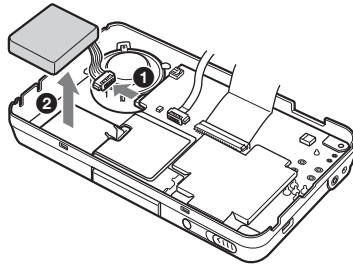


3 Retirez le capot arrière.

Utilisez un objet pointu, comme un tournevis à tête plate, aux endroits indiqués sur l'illustration pour dégager les ergots et ouvrir le capot arrière.



4 Retirez la batterie.



5 Isolez la borne du connecteur en l'enroulant dans un ruban adhésif.

Remarque

N'abîmez pas la batterie avec un objet pointu, comme un tournevis.

Caractéristiques techniques

NV-U94T/U84

Appareil principal

Température de fonctionnement : 5 à 45 °C

(41 à 113 °F)

Alimentation requise : 5 V CC

à partir du câble USB fourni ou de l'adaptateur CA en option

Bornes de connexion :

Connecteur du support

Prise DC IN 5V

Prise USB

Prise d'antenne GPS externe

Prise de casque

Fente pour carte mémoire :

Fente pour Memory Stick Duo

Haut-parleur : haut-parleur ovale 20 × 40 mm

(0,8 × 1,6 po)

Puissance consommée : max. 1,5 A

Dimensions : environ 150 × 87 × 20 mm

(5,9 × 3,4 × 0,8 po)

(l × h × p, à l'exclusion des parties saillantes)

Poids : environ 250 g (8,8 oz)

Moniteur

Système : écran à cristaux liquides transmissif

Dimensions : 4,8 po (16:9)

environ 106 × 60, 122 mm

(4,2 × 2,4, 4,8 po) (h × v, d)

Segmentation : 391 680 (816 × 480) points

Communications sans fil

(NV-U94T uniquement)

Système de communication :

Norme Bluetooth version 2.0

Sortie : Norme Bluetooth Power Class 2

(Max. +4 dBm)

Portée de communication maximale :

En ligne directe environ 10 m (32,8 pi)*1

Bande de fréquence :

Bande de 2,4 GHz (2,4000 – 2,4835 GHz)

Méthode de modulation : FHSS

Profils Bluetooth compatibles*2 :

HFP (Hands-free Profile)

OPP (Object Push Profile)

A2DP (Advanced Audio Distribution Profile)

*1 La portée réelle varie en fonction de facteurs tels que les obstacles entre les appareils, les champs magnétiques autour d'un four à micro-ondes, l'électricité statique, la sensibilité de la réception, la performance de l'antenne, le système d'exploitation, l'application logicielle, etc.

*2 Les profils Bluetooth indiquent l'objectif de la communication Bluetooth entre les appareils.

Support

Température de fonctionnement : 5 à 45 °C

(41 à 113 °F)

Alimentation requise : 5,2 V CC

à partir de l'adaptateur pour batterie de voiture

12 V/24 V fourni (masse négative)

Bornes de connexion :

Connecteur de l'appareil

Prise DC IN 5.2 V

Prise d'antenne TMC (NV-U94T uniquement)

Fréquence de réception : 87,5 à 108,0 MHz

(NV-U94T uniquement)

Temps de charge/durée d'utilisation de la batterie intégrée

Temps de charge

Avec l'adaptateur pour batterie de voiture fourni/

l'adaptateur CA en option : environ 3 heures (avec l'appareil sous tension) ou 1,5 heures (en mode de veille)

Avec le câble USB fourni :

Environ 3 heures (en mode de veille)

Durée d'utilisation

Jusqu'à 2 heures (selon l'utilisation)

Accessoires en option

Adaptateur CA : XA-AC13

Adaptateur pour batterie de voiture : XA-DC3

Support avec fonction TMC pour la voiture :

NVA-CU5T

Antenne GPS externe : VCA-42

La conception et les caractéristiques techniques sont sujettes à modifications sans préavis.

suite à la page suivante →



- Aucun retardateur de flamme halogéné n'est utilisé dans certaines cartes à circuits imprimés.
- Aucun retardateur de flamme halogéné n'est utilisé dans la composition des coques.
- Utilisation des batteries au lithium-ion rechargeables.
- Les boîtiers et le support sont partiellement fabriqués en plastique recyclé.
- La prévention contre les chocs est assurée par une protection en carton ondulé.
- Imprimée avec de l'encre à base d'huile végétale sans COV (composés organiques volatils).

NV-U74T

Appareil principal

Température de fonctionnement : 5 à 45 °C
(41 à 113 °F)

Alimentation requise : 5 à 5,2 V CC
à partir du câble USB fourni, de l'adaptateur CA en option ou de l'adaptateur pour batterie de voiture 12 V/24 V fourni (masse négative)

Bornes de connexion :

- Prise DC IN 5-5,2V
- Prise USB
- Prise d'antenne GPS externe
- Prise d'antenne TMC

Fréquence de réception : 87,5 à 108,0 MHz

Fente pour carte mémoire :

Fente pour Memory Stick Duo

Haut-parleur : haut-parleur circulaire ø 30 mm
(1,2 po)

Puissance consommée : max. 1,5 A

Dimensions : environ 133 × 79 × 20 mm
(5,2 × 3,1 × 0,8 po)
(l × h × p, à l'exclusion des parties saillantes)

Poids : environ 210 g (7,4 oz)

Moniteur

Système : écran à cristaux liquides transmissif

Dimensions : 4,3 po (16:9)
environ 95 × 54, 109 mm
(3,7 × 2,1, 4,3 po) (h × v, d)

Segmentation : 391 680 (816 × 480) points

Communications sans fil

Système de communication :

Norme Bluetooth version 2.0

Sortie : Norme Bluetooth Power Class 2
(Max. +4 dBm)

Portée de communication maximale :

En ligne directe environ 10 m (32,8 pi)*1

Bande de fréquence :

Bande de 2,4 GHz (2,400 – 2,485 GHz)

Méthode de modulation :

 FHSS

Profils Bluetooth compatibles*2 :

HFP (Hands-free Profile)
OPP (Object Push Profile)

*1 *La portée réelle varie en fonction de facteurs tels que les obstacles entre les appareils, les champs magnétiques autour d'un tour à micro-ondes, l'électricité statique, la sensibilité de la réception, la performance de l'antenne, le système d'exploitation, l'application logicielle, etc.*

*2 *Les profils Bluetooth indiquent l'objectif de la communication Bluetooth entre les appareils.*

Temps de charge/durée d'utilisation de la batterie intégrée

Temps de charge

Avec l'adaptateur pour batterie de voiture fourni/ l'adaptateur CA en option : environ 2 heures (avec l'appareil sous tension) ou 1 heure (en mode de veille)

Avec le câble USB fourni :

Environ 2 heures (en mode de veille)

Durée d'utilisation

Jusqu'à 2 heures (selon l'utilisation)

Accessoires en option

Adaptateur CA : XA-AC13

Adaptateur pour batterie de voiture : XA-DC3

Support pour la voiture : NVA-CU6

Antenne GPS externe : VCA-42

La conception et les caractéristiques techniques sont sujettes à modifications sans préavis.



- Aucun retardateur de flamme halogéné n'est utilisé dans certaines cartes à circuits imprimés.
- Aucun retardateur de flamme halogéné n'est utilisé dans la composition des coques.
- Utilisation des batteries au lithium-ion rechargeables.
- Les boîtiers et le support sont partiellement fabriqués en plastique recyclé.
- La prévention contre les chocs est assurée par une protection en carton ondulé.
- Imprimée avec de l'encre à base d'huile végétale sans COV (composés organiques volatils).

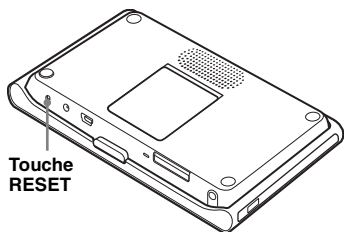
Dépannage

Réinitialisation de l'appareil

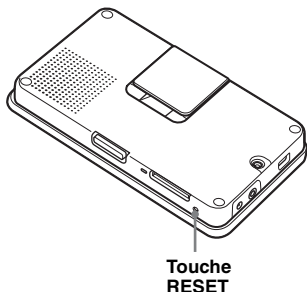
En cas de problème de fonctionnement avec le logiciel ou le matériel, essayez de réinitialiser l'appareil dans un premier temps.

Appuyez sur la touche RESET, puis mettez l'appareil sous tension.

NV-U94T/U84



NV-U74T



Remarque

Après avoir réinitialisé l'appareil, la réception des signaux GPS peut prendre quelques instants lorsque vous mettez l'appareil sous tension.

Liste de contrôles

La liste de contrôle suivante vous aidera à remédier aux problèmes que vous pourriez rencontrer avec cet appareil.

Avant de passer en revue la liste de contrôle ci-dessous, vérifiez les procédures de raccordement et d'utilisation.

Généralités

L'appareil ne démarre pas.

- Rechargez la batterie intégrée.
- Vérifiez que l'adaptateur pour batterie de voiture est correctement inséré dans la prise de l'allume-cigare.

L'appareil se met automatiquement sous tension (l'écran reste éteint), même s'il n'est pas utilisé.

(NV-U94T/U84 uniquement)

Si la température interne de l'appareil devient trop élevée, celui-ci passe en mode de décharge de la batterie et se met automatiquement sous tension afin de réduire sa capacité de charge pour protéger la batterie.

Le témoin CHG est éteint même si l'adaptateur est connecté. (NV-U94T/U84 uniquement)

Le témoin CHG se met automatiquement hors tension lorsque la batterie est en mode de décharge.

suite à la page suivante →

La batterie intégrée ne peut pas être rechargée.

- Mettez l'appareil sous tension, puis remettez-le hors tension.
- Si l'adaptateur pour batterie de voiture est utilisé, débranchez-le de la prise de l'allume-cigare, puis rebranchez-le.
- Mettez l'ordinateur sous tension pendant le chargement USB.
Notez que le témoin CHG peut s'allumer en vert en mode de veille de l'ordinateur, même si la batterie intégrée n'est pas entièrement chargée.
- La batterie ion lithium intégrée peut être chargée à des températures comprises entre 5 et 45 °C (41 à 113 °F). La batterie ne peut pas être chargée si la température à l'intérieur de l'appareil augmente en raison d'une exposition directe au soleil, etc. Il ne s'agit pas d'un problème de fonctionnement.
- Si la durée d'utilisation de la batterie intégrée décroît de façon excessive peu de temps après la charge, la batterie peut s'être détériorée.
(NV-U94T/U84 uniquement)
 - Contactez le Centre d'assistance à la clientèle :
États-Unis : 1-800-222-7669
Canada : 1-877-899-7669

L'affichage sur l'écran ACL est anormal.


À des températures élevées, l'écran ACL peut s'assombrir et les images peuvent ne pas être nettes. À basses températures, une image rémanente peut apparaître sur l'écran ACL. Il ne s'agit pas de problèmes de fonctionnement et l'écran ACL ne reviendra à son état normal que lorsque la température sera revenue dans les limites de la plage de fonctionnement spécifiée.

Le support se détache de la surface de fixation.

La fixation devient moins bonne si la surface de la ventouse ou la surface de fixation est sale.
→ Nettoyez la surface de la ventouse et la surface de fixation avec un chiffon doux non pelucheux (page 12).

Navigation

Impossible de recevoir un signal GPS.

- Lisez tout d'abord la présentation du GPS (page 7), puis vérifiez l'état du GPS en appuyant sur  dans le menu principal → « Général » → « État GPS ».
- Le système ne peut recevoir de signaux GPS à cause d'un obstacle.
 - Déplacez votre véhicule vers un endroit où les signaux peuvent être reçus plus clairement.
 - Il y a un obstacle devant l'antenne GPS.
 - Installez l'appareil à un endroit où le signal n'est pas interrompu par la carrosserie de la voiture, etc.
 - La réception des signaux GPS peut être médiocre selon le matériau du pare-brise de la voiture.
 - Utilisez l'antenne GPS externe VCA-42 en option.


La position du véhicule sur la carte ne correspond pas à la route sur laquelle se trouve actuellement le véhicule.

La marge d'erreur du signal émis par les satellites GPS est trop grande. Une marge d'erreur de quelques centaines de mètres maximum peut se produire.

Le guidage vocal est inaudible.

Le réglage du volume est trop faible.
→ Augmentez le volume.

Le mode de démonstration démarre automatiquement même si aucune opération n'est exécutée.

- Désactivez le mode de démonstration automatique en appuyant sur  dans le menu principal → « Général » → « Mode de la démonstration ».
Vérifiez ensuite que la « Démonstration automatique » est désactivée.
-

Fonction Bluetooth (NV-U94T/U74T uniquement)

Le périphérique en cours de connexion (téléphone cellulaire, etc.) ne parvient pas à détecter cet appareil.

- Réglez « Signal Bluetooth » à « ACTIVER ».
 - En cours de connexion au périphérique Bluetooth, cet appareil ne peut pas être détecté par un autre périphérique.
 - Interrompez la connexion en cours et recherchez cet appareil à partir d'un autre périphérique.
-

La connexion Bluetooth est impossible.

- Procédez à nouveau au pairage.
 - Vérifiez les procédures de pairage et de connexion dans le manuel de l'autre appareil, etc. et effectuez à nouveau l'opération.
 - Consultez le site Web de Sony pour vérifier que l'autre périphérique peut être connecté à cet appareil.
 - Selon l'autre périphérique, il est possible que vous ne puissiez pas effectuer de recherches à partir de cet appareil.
 - Recherchez cet appareil à partir de l'autre périphérique.
 - Selon le statut de l'autre périphérique, il est possible que vous ne puissiez pas effectuer de recherches à partir de cet appareil.
 - Recherchez cet appareil à partir de l'autre périphérique.
-

Le nom de l'appareil détecté n'apparaît pas.

- Procédez à nouveau au pairage.
 - Selon le statut de l'autre périphérique, il est possible que vous ne puissiez pas obtenir son nom.
-

Le volume de la voix de l'appelant est trop faible.

- Réglez le volume en appuyant sur +/- dans la fenêtre d'affichage.
-

Un écho ou des parasites se produisent lors de conversations téléphoniques.

- Baissez le volume.
 - Si le bruit ambiant autre que le son de l'appel téléphonique est fort, essayez de réduire ce bruit. Par exemple, si une fenêtre est ouverte et que le bruit de la route, etc. est fort, fermez la fenêtre. Si la climatisation est forte, diminuez-la.
-

La qualité du son de la voix de l'appelant est médiocre.

La qualité du son du téléphone dépend des conditions de réception du téléphone cellulaire.

- Déplacez votre voiture vers un endroit où vous pouvez augmenter le signal du téléphone cellulaire si la réception est médiocre.
-

Certaines fonctions sont inopérantes.

- Vérifiez que le périphérique en cours de connexion prend en charge les fonctions en question.
-

Le nom de l'interlocuteur n'apparaît pas lors de la réception d'un appel.

- L'interlocuteur n'est pas mémorisé dans le répertoire.
 - Mémorisez-le.
 - Le téléphone appelant n'est pas réglé pour transmettre le numéro de téléphone.
-

Le pairage a échoué en raison de la temporisation.

Selon le périphérique en cours de connexion, le délai autorisé pour le pairage peut être court. Essayez de réaliser le pairage dans le temps imparti.

Aucun son n'est émis par le haut-parleur de l'appareil pendant un appel en mains libres.

- Si le son est émis par le téléphone cellulaire, réglez ce dernier pour qu'il soit émis par le haut-parleur de l'appareil.
-

suite à la page suivante →

Lecture audio (NV-U94T uniquement)

La lecture audio est impossible.

- Aucun « Memory Stick Duo » contenant des fichiers audio n'est inséré dans l'appareil.
- L'appareil prend uniquement en charge les fichiers MP3 (MPEG-1 Audio Layer-3) avec une fréquence d'échantillonnage de 32/44,1/48 kHz et un débit binaire de 32 à 320 kbit/s (VBR).
- Les fichiers AAC (Advanced Audio Coding) protégés par des droits d'auteur ne peuvent pas être lus.
- L'appareil prend uniquement en charge les fichiers AAC-LC avec une fréquence d'échantillonnage de 8/11,025/12/16/22,05/24/32/44,1/48 kHz et un débit binaire de 16 à 320 kbit/s (VBR). Selon la fréquence d'échantillonnage, le débit binaire peut inclure des débits binaires non standards ou non garantis.

Lecture vidéo (NV-U94T uniquement)

La lecture vidéo est impossible.

- Aucun « Memory Stick Duo » contenant des fichiers vidéo n'est inséré dans l'appareil.
- L'appareil prend uniquement en charge les fichiers MP4 (MPEG-4 Simple Profile).
- L'appareil prend uniquement en charge les fichiers vidéo ayant une résolution QVGA (320 × 240).

Des scintillements se produisent pendant la lecture vidéo.

Si un fichier vidéo d'un débit d'image supérieur à 15 ips et d'un débit binaire supérieur à 384 kbit/s est lu, des scintillements risquent de se produire.

Lecture de photos

La lecture de photos est impossible.

- Aucun « Memory Stick Duo » contenant des fichiers de photos n'est inséré dans l'appareil.
- L'appareil prend uniquement en charge les fichiers JPEG.
- L'appareil prend uniquement en charge les photos comportant un nombre maximal de 12 mégapixels.

Uso de los manuales

La unidad viene con los manuales siguientes.

Antes de instalar o utilizar la unidad, lea los manuales con atención y consérvelos como referencia para el futuro.

- **Guía de inicio rápido**

Contiene instrucciones sobre las operaciones básicas, como la instalación, las operaciones de navegación, etc.

Después de leer este manual, debería estar preparado para comenzar a utilizar la unidad.

- **Información importante (este manual)**

Contiene avisos importantes que se deben leer antes de usar el producto, entre ellos, advertencias, especificaciones e instrucciones para solucionar problemas.

Para obtener más información acerca de las características y funciones

El "Manual de instrucciones" (PDF), que contiene las descripciones de todas las funciones, se encuentra disponible en línea.

Puede descargar el manual en la dirección: <http://esupport.sony.com/>

Notas sobre este manual

- Este manual contiene instrucciones para los modelos NV-U94T, U84 y U74T.

Las funciones disponibles varían en función del modelo.

La tabla siguiente muestra las principales diferencias entre los modelos.

	U94T	U84	U74T
POSITION plus	●		
Modo de descarga de batería	●	●	
TMC (Canal de mensajes de tráfico)	●		●
Bluetooth	●		●
Reproducción de audio/video	●		

Compruebe el nombre del modelo y consulte las indicaciones pertinentes en cada sección de este manual.

- Las ilustraciones de este manual pueden no coincidir con el dispositivo en sí.

Si desea realizar alguna consulta sobre este producto, puede ponerse en contacto con el Centro de información al cliente de Sony llamando al 1-800-222-7669 o a través de la página <http://www.sony.com/nav-u/support>



Tratamiento de los equipos eléctricos y electrónicos al final de su vida útil (aplicable en la Unión Europea y en países europeos con sistemas de recogida selectiva de residuos)

Este símbolo en el equipo o el embalaje indica que el presente producto no puede ser tratado como residuos domésticos normales, sino que debe entregarse en el correspondiente punto de recogida de equipos eléctricos y electrónicos. Al asegurarse de que este producto se desecha correctamente, Ud. ayuda a prevenir las consecuencias negativas para el medio ambiente y la salud humana que podrían derivarse de la incorrecta manipulación en el momento de deshacerse de este producto. El reciclaje de materiales ayuda a conservar los recursos naturales. Para recibir información detallada sobre el reciclaje de este producto, póngase en contacto con el ayuntamiento, el punto de recogida más cercano o el establecimiento donde ha adquirido el producto.

Accesorio aplicable: Adaptador para batería de automóvil

Atención

EN NINGÚN CASO SONY SERÁ RESPONSABLE DE LOS DAÑOS INDIRECTOS, IMPREVISTOS, DERIVADOS NI DE NINGÚN OTRO TIPO, INCLUIDOS, SIN LIMITARSE A LOS MISMOS, LOS DAÑOS POR PÉRDIDA DE BENEFICIOS O INGRESOS, LA PÉRDIDA DE DATOS, LA PÉRDIDA DE USO DEL PRODUCTO O DE EQUIPAMIENTO ASOCIADO, TIEMPO DE INACTIVIDAD Y PÉRDIDA DE TIEMPO DEL COMPRADOR RELACIONADOS O DERIVADOS DEL USO DE ESTE PRODUCTO O DEL HARDWARE Y SOFTWARE DEL MISMO.



Tabla de contenido

- Advertencia 6
- Precauciones 10
 - Comunicación por Bluetooth (solo el modelo NV-U94T/U74T) 10
- Acerca de “Memory Stick” 11
 - ¿Qué es un “Memory Stick”? 11
 - Tipos de “Memory Stick Duo” que se pueden utilizar con el sistema 11
- Nota sobre la pantalla de cristal líquido 12
- Mantenimiento. 12
 - Limpieza 12
 - Sustitución del fusible. 12
- Notas sobre cómo deshacerse de la unidad 12
- Especificaciones 14
- Solución de problemas 16
 - Restauración de la unidad 16
 - Lista de comprobación 17

Advertencia

LEA COMPLETAMENTE ESTE MANUAL Y EL DOCUMENTO “GUÍA DE INICIO RÁPIDO” SUMINISTRADO ANTES DE INSTALAR O UTILIZAR EL SISTEMA DE NAVEGACIÓN PERSONAL. LA INSTALACIÓN O UTILIZACIÓN INCORRECTA DEL DISPOSITIVO PUEDE PROVOCAR ACCIDENTES, LESIONES O LA MUERTE.

Asegúrese de usar un adaptador para batería de automóvil o adaptador de alimentación de ca suministrado u opcional, que sea compatible con la unidad o base. De lo contrario, es posible que la unidad o base reciba un exceso de voltaje y podría producir humo, o provocar un incendio o un accidente. Para obtener información detallada sobre los accesorios opcionales para su modelo, consulte “Especificaciones” en la página 14.

No conecte la batería del automóvil directamente a la toma de la unidad, ya que podría causar una falla de funcionamiento. Asegúrese de utilizar el adaptador para batería de automóvil suministrado para realizar la conexión.

Seguridad

- Asegúrese de:
 - instalar el sistema de navegación en un lugar seguro en el que no se obstaculice la visión del conductor.
 - no instalar la unidad sobre un airbag.
 - colocar los cables y la base donde no obstaculicen el manejo del automóvil.
 - colocar la unidad en la base correctamente ya que, de lo contrario, podría caerse.

– limpiar la superficie de la ventosa y la superficie de adherencia antes de su colocación. Si realiza la instalación en el tablero, limpie la superficie en la que colocará la ventosa. Asimismo, compruebe que la ventosa queda firmemente colocada después de la instalación. De lo contrario, la unidad o la base podrían caer.

En caso de no seguir estas recomendaciones, las condiciones de seguridad del manejo del automóvil pueden verse reducidas.

- No ejerza excesiva fuerza sobre la unidad ni la base, ya que podrían caerse.
- Respete la normativa y la legislación de tráfico local.
- No observe la unidad continuamente mientras maneja. Es peligroso y podría provocar un accidente.
- Si necesita manipular el sistema de navegación durante el manejo, asegúrese de detener el automóvil en un lugar seguro previamente.
- No modifique la unidad.
- No desmonte la unidad excepto en el momento de desecharla.

Instalación

- Antes de instalar la unidad, compruebe las leyes y normas de tráfico locales.
- Asegúrese de instalar la unidad correctamente con las herramientas proporcionadas únicamente y evite instalarla sobre componentes importantes del vehículo.
- Para obtener información acerca de la polaridad, el voltaje de la batería y la ubicación del airbag del automóvil, póngase en contacto con el concesionario.
- Procure evitar que los cables queden liados o enrollados en la parte móvil del raíl del asiento.
- Póngase en contacto con un técnico cualificado o con personal del servicio técnico si no puede fijar la base al automóvil firmemente.

ATENCIÓN

- No instale la base en lugares donde quede expuesta a altas temperaturas.
- En función del tamaño o de la forma de la toma del encendedor, es posible que no pueda realizar la conexión.
- Antes de instalar la antena TMC, limpie la superficie de la ventosa y las superficies de adhesión. Fije las ventosas y presione firmemente contra el parabrisas para expulsar el aire que quede dentro.

Manipulación

- No permita que ningún objeto extraño se introduzca en el conector de la unidad, ya que podría producirse una falla de funcionamiento.
- Cuando no use la unidad, deslice I/⏻ para apagarla. Retire la unidad de la base y, a continuación, desconecte el adaptador para batería de automóvil; de lo contrario, es posible que se agote la batería. Tenga en cuenta lo siguiente:

Si la toma del encendedor del automóvil no está conectada a la posición ACC del interruptor de encendido, se continúa suministrando energía a la fuente de alimentación incorporada aunque la llave de encendido se encuentre en la posición de apagado o la unidad no esté en uso.

- No conecte ningún accesorio diferente de los suministrados u opcionales.
- No exponga la unidad al fuego ni al agua, ya que podría producirse una falla de funcionamiento.
- Para desconectar un cable, tire del enchufe, nunca del cable.
- Cuando salga del automóvil, asegúrese de extraer la unidad para evitar robos, así como daños producidos por las altas temperaturas del interior.
- Si la base se deja instalada en el tablero durante un período de tiempo prolongado, la ventosa podría dejar una marca en el tablero. Asegúrese de retirar la base del tablero cuando no la utilice.
- Retire y vuelva a fijar la base periódicamente para mantener la fuerza de adherencia de la ventosa.

- Tenga en cuenta que puede resultar difícil retirar la base si la temperatura es baja.
- Tenga en cuenta que la batería incorporada no puede cargarse con temperaturas situadas fuera del rango de 5 a 45 °C.
- No deje la unidad en lugares con temperatura ambiente elevada, ya que la capacidad de la batería incorporada se deteriorará o ésta no podrá cargarse.

Ventosa

Es posible que existan pequeñas burbujas en la ventosa. No obstante, estas burbujas no afectan al rendimiento de la ventosa.

GPS

Puesto que la información del GPS se recibe de los satélites, podría resultar imposible o difícil obtener la información en los lugares siguientes:

- Túneles o pasos subterráneos
- Bajo autopistas
- Entre edificios altos
- Entre árboles altos con follaje denso

Nota

La recepción de la señal GPS puede ser débil según el material del parabrisas del automóvil.

Sistema de posicionamiento (POSITION plus) (solo el modelo NV-U94T)

El sistema dispone de una función que permite mostrar correctamente la posición actual del automóvil, incluso en ubicaciones donde la recepción de la señal GPS pueda interrumpirse temporalmente o sea débil, como sucede al pasar por un paso subterráneo. Para activar esta función, realice las siguientes acciones:

- Coloque la unidad en la base.
- Maneje durante un momento en un área donde la recepción de la señal GPS sea clara.

El sistema de posicionamiento estará listo para su utilización después de que haya manejado un tiempo con la unidad encendida.

continúa en la página siguiente →

Notas

- *La precisión de esta función puede reducirse si la unidad se instala cerca de un parabrisas templado o que refleje calor.*
- *Según las condiciones, es probable que la posición actual del automóvil o el movimiento no se muestre con exactitud. No obstante, este error se corregirá tan pronto se reanude la recepción de la señal GPS.*

Modo de descarga de batería (solo el modelo NV-U94T/U84)

Si la temperatura interna de la unidad sube demasiado, ésta entrará en modo de descarga de batería y la capacidad de carga se reducirá automáticamente para proteger la batería. En tal caso, la unidad se encenderá (la pantalla permanecerá apagada) aunque no se utilice.

AVISO IMPORTANTE sobre la función Bluetooth (solo el modelo NV-U94T/U74T)

Uso seguro y eficaz

Las modificaciones realizadas en esta unidad no aprobadas expresamente por Sony pueden anular la autoridad del usuario para usar el equipo. Consulte las excepciones, conforme a los requisitos o limitaciones nacionales, sobre el uso del equipo Bluetooth antes de usar este producto.

Manejo

Consulte las leyes y regulaciones sobre el uso de teléfonos celulares y equipos de manos libres en las áreas en las que maneja. Siempre preste mucha atención al manejo y apártese de la ruta y estacione el automóvil antes de realizar o contestar una llamada si las condiciones lo requieren.

Exposición a radiofrecuencia

Las señales de RF pueden afectar de manera incorrecta a los sistemas electrónicos instalados o con protección inadecuada en automóviles, como los sistemas electrónicos de inyección de combustible, sistemas electrónicos de frenos antideslizamiento (antibloqueo), sistemas electrónicos de control de velocidad o sistemas de airbag. Para obtener información sobre la instalación o el mantenimiento de este

dispositivo, consulte al fabricante del automóvil o a su representante. La instalación o el mantenimiento inadecuados pueden resultar peligrosos y podrían anular las garantías correspondientes a este dispositivo. Consulte al fabricante de su automóvil para garantizar que el uso de su teléfono celular en el automóvil no afecte a su sistema electrónico. Compruebe periódicamente que todos los equipos de dispositivos inalámbricos en su automóvil estén instalados y funcionen correctamente.

Conexión a otros dispositivos

Al realizar la conexión con cualquier otro dispositivo, lea la guía del usuario correspondiente para obtener instrucciones detalladas de seguridad.

Llamadas de emergencia

Este dispositivo de manos libres para automóvil Bluetooth y el dispositivo electrónico conectado a éste funcionan a través de señales de radio, redes de teléfonos celulares y terrestres, además de la función programada por el usuario, cuya conexión no puede garantizarse en todas las condiciones. Por lo tanto, no dependa únicamente de un dispositivo electrónico para las comunicaciones esenciales (como en el caso de emergencias médicas).

Recuerde que para poder realizar o recibir llamadas, el dispositivo de manos libres y el dispositivo electrónico conectado a éste deben activarse en un área de servicio con la potencia de la señal celular adecuada.

Es posible que no pueda realizar llamadas de emergencia en todas las redes de teléfonos celulares o cuando se estén utilizando determinados servicios de red o funciones del teléfono.

Consulte a su proveedor de servicios local.

Software

Lea detenidamente el acuerdo de licencia para el usuario final antes de utilizar la unidad.

Advertencia

- Este sistema de navegación no debe ser utilizado como sustituto de su propio criterio. Las sugerencias de ruta de este sistema de navegación no pueden nunca invalidar ni las normas de circulación locales, ni su propio criterio, ni el conocimiento de las prácticas de circulación segura. No haga caso de las sugerencias del sistema de navegación si las mismas pueden hacerle ejecutar una maniobra peligrosa o ilegal, colocarle en una situación peligrosa o dirigirle a una zona que Ud. considere poco segura.
- Las indicaciones facilitadas por el sistema de navegación han de ser considerados únicamente como sugerencias. Pueden existir situaciones en que el sistema de navegación muestre incorrectamente la localización del vehículo, no sugiera el trayecto más corto, y/o no le dirija al destino deseado por Ud. En tales situaciones, confíe en su propio criterio como conductor, teniendo en cuenta las condiciones de conducción del momento.
- No utilice el sistema de navegación para conocer el itinerario hacia servicios de urgencias. La base de datos no contiene un listado completo de la localización de servicios de emergencia tales como policía, bomberos, hospitales y clínicas. Por favor, haga servir su propio criterio y su habilidad para pedir información en estas situaciones.
- Como conductor, Ud. es el único responsable de su propia seguridad.
 - Con el fin de evitar accidentes de tráfico, no manipule el sistema mientras esté conduciendo.
 - Para evitar accidentes de tráfico, manipule el sistema únicamente cuando el vehículo esté parado en un lugar seguro, con el freno de mano puesto.
 - Para evitar un accidente o una infracción de tráfico, recuerde que las condiciones presentes de la carretera y las normas de circulación tienen preferencia sobre la información que contiene el sistema de navegación.
- El programa puede contener información inexacta o incompleta debido al transcurso del tiempo, a circunstancias cambiantes y al tipo de fuentes utilizadas. En todo momento de la conducción sírvase observar las circunstancias reales de tráfico y normas vigentes.
- Si en algún momento las condiciones viarias y las normas de circulación vigentes difieren de la información que contiene el sistema de navegación, atégase a las normas de circulación.
- El sistema de navegación no contiene ni dispone de información alguna concerniente a las normas de tráfico y de carreteras; límites de velocidad; condiciones viarias incluyendo en éstas las condiciones de pendiente y/o superficie; información sobre obstáculos incluyendo altura y anchura de puentes y túneles, y/u otras condiciones que afecten a la conducción y/o al estado de las vías. Confíe siempre en su propio criterio como conductor, teniendo en cuenta las condiciones de circulación existentes.
- Reduzca al mínimo el tiempo dedicado a mirar la pantalla mientras esté conduciendo.

Precauciones

Comunicación por Bluetooth (solo el modelo NV-U94T/U74T)

- La tecnología inalámbrica Bluetooth funciona dentro de un rango aproximado de 10 m. El rango máximo de comunicación puede variar en función de los obstáculos (persona, metal, pared, etc.) o el entorno electromagnético.
- Al usar la función de Bluetooth, instale la unidad a menos de 60 cm de distancia del conductor.
- Las siguientes condiciones pueden afectar a la sensibilidad de la comunicación por Bluetooth:
 - La presencia de un obstáculo como una persona, un objeto metálico o una pared entre esta unidad y el dispositivo Bluetooth (teléfono celular, etc.).
 - La utilización de un dispositivo con una frecuencia de 2,4 GHz, como un dispositivo de LAN inalámbrica, teléfono celular u horno microondas, cerca de esta unidad.
- Debido a que los dispositivos Bluetooth y las redes LAN inalámbricas (IEEE802.11b/g) usan la misma frecuencia, es probable que se produzcan interferencias de microondas y se reduzca la velocidad de la comunicación, se genere ruido o se anule la conexión si la unidad se usa cerca de un dispositivo de LAN inalámbrica. En este caso, realice lo siguiente:
 - Use esta unidad a 10 m de distancia como mínimo del dispositivo de LAN inalámbrica.
 - Si esta unidad se usa a menos de 10 m de un dispositivo de LAN inalámbrica, apague dicho dispositivo.
 - Instale esta unidad y el dispositivo Bluetooth lo más cerca posible entre sí.
- Las microondas emitidas por un dispositivo Bluetooth pueden afectar al funcionamiento de los dispositivos médicos electrónicos. A fin de evitar un accidente, apague la unidad y otros dispositivos Bluetooth en las siguientes ubicaciones:
 - Lugares donde haya gases inflamables, hospitales, trenes, aviones o estaciones de servicio

- Lugares cercanos a puertas automáticas o a una alarma de incendios
- Esta unidad admite funciones de seguridad que cumplen con el estándar Bluetooth para proporcionar una conexión segura en el caso de usar la tecnología inalámbrica Bluetooth. No obstante, es posible que no sea suficiente según el entorno. Tenga cuidado al comunicarse a través de la tecnología inalámbrica Bluetooth.
- Sony no asume ninguna responsabilidad por la pérdida de información durante las comunicaciones a través de Bluetooth.
- No puede garantizarse la conexión con todos los dispositivos Bluetooth.
 - Un dispositivo con la función Bluetooth debe cumplir con el estándar Bluetooth especificado por Bluetooth SIG y debe autenticarse.
 - Aunque el dispositivo conectado cumpla con el estándar Bluetooth mencionado anteriormente, es posible que algunos dispositivos no puedan conectarse ni funcionar correctamente, según su funciones o especificaciones.
 - Mientras habla con la función de manos libres del teléfono, es probable que se genere ruido, según el modelo de teléfono celular o el entorno de comunicación.
- Según el dispositivo que se conecte, es posible que se requiera cierto tiempo para iniciar la comunicación.

Otros

- Es posible que no pueda utilizar el dispositivo Bluetooth en teléfonos celulares, según las condiciones de las ondas de radio y la ubicación en la que utilice el equipo.
- Si experimenta molestias después de usar el dispositivo Bluetooth, deje de usarlo de inmediato. En el caso de que los problemas persistan, consulte a su distribuidor Sony más cercano.

Acerca de “Memory Stick”

¿Qué es un “Memory Stick”?

Un “Memory Stick” es un soporte de grabación IC de tamaño compacto con una gran capacidad. No sólo se ha diseñado para el intercambio o el uso compartido de datos digitales entre productos compatibles con “Memory Stick”, sino también para usarse como soporte de almacenamiento externo insertable o extraíble en el que se pueden guardar datos.

Tipos de “Memory Stick Duo” que se pueden utilizar con el sistema

Este sistema permite utilizar los siguientes tipos de “Memory Stick Duo”.*1

- “Memory Stick Duo” (no compatible con MagicGate)
- “MagicGate Memory Stick Duo”**2
- “Memory Stick PRO Duo”**2

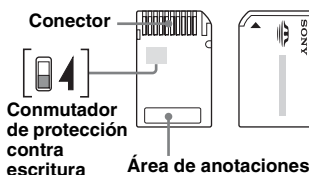
*1 Se ha demostrado que el sistema funciona con un “Memory Stick Duo” con una capacidad de 16 GB o inferior. No obstante, no se garantiza el funcionamiento de todos los soportes “Memory Stick Duo”.

*2 Los soportes “MagicGate Memory Stick Duo” y “Memory Stick PRO Duo” están equipados con funciones MagicGate. MagicGate cuenta con protección de derechos de autor mediante tecnología de codificación. Los datos con protección MagicGate no pueden reproducirse en esta unidad.

Notas

- Este sistema no admite la transferencia paralela de datos de alta velocidad.
- El “Memory Stick” de tamaño estándar no puede usarse en este sistema.
- Al usar un “Memory Stick Duo”, asegúrese de insertarlo en la dirección correcta. El uso incorrecto puede provocar problemas en el sistema.
- No inserte el “Memory Stick Micro” directamente en un producto compatible con “Memory Stick PRO” sin un adaptador para M2* suministrado con el soporte (o vendido por separado). Si intenta insertarlo sin colocarlo en el adaptador para M2*, es probable que no pueda extraerlo.
- No deje el “Memory Stick Duo”, “Memory Stick Micro” o adaptador para M2* al alcance de niños para evitar su ingestión accidental.

- Evite extraer el “Memory Stick Duo” del sistema mientras el sistema lee o escribe datos.
- Los datos pueden dañarse en las siguientes situaciones:
 - Si el “Memory Stick Duo” se extrae o el sistema se apaga durante las operaciones de lectura o escritura.
 - Si el “Memory Stick Duo” se usa en una ubicación sujeta a electricidad estática o ruidos eléctricos.
- Se recomienda que realice una copia de seguridad de los datos importantes.
- No doble, deje caer ni aplique presión excesiva al “Memory Stick Duo”.
- No desarme ni modifique el “Memory Stick Duo”.
- No permita que el “Memory Stick Duo” se moje.
- No use ni almacene el “Memory Stick Duo” en una ubicación sujeta a:
 - Temperatura extremadamente alta, como en un automóvil estacionado al sol
 - Luz solar directa
 - Mucha humedad o lugares con sustancias corrosivas



- No toque el conector del “Memory Stick Duo” con los dedos u objetos metálicos.
- No puede grabar, editar ni eliminar datos si desliza el conmutador de protección contra escritura hacia la posición LOCK.
- Utilice un objeto puntiagudo para deslizar el conmutador de protección contra escritura del “Memory Stick Duo”.
- Al usar un “Memory Stick Duo” sin el conmutador de protección contra escritura, tenga cuidado de no editar ni eliminar los datos accidentalmente.
- Cuando escriba en el área de anotaciones de la etiqueta adjunta, no ejerza demasiada presión.
- Cuando transporte o almacene el “Memory Stick Duo”, colóquelo en el estuche suministrado.

* Abreviatura de “Memory Stick Micro”.

Nota sobre la pantalla de cristal líquido

Es posible que aparezcan algunos puntos fijos azules, rojos o verdes en el monitor. Se conocen como “puntos brillantes” y pueden darse en cualquier pantalla de cristal líquido. Las pantallas de cristal líquido se fabrican con tecnología de precisión y más de un 99,99 % de sus segmentos son funcionales. No obstante, es posible que un pequeño porcentaje (normalmente el 0,01 %) de los segmentos no se encienda correctamente. Sin embargo, esto no interferirá en la visualización.

Mantenimiento

Limpeza

- Limpie la superficie de la ventosa con un paño suave, sin pelusas y humedecido si ésta se ensucia y se pierde la capacidad de adhesión. Asegúrese de secar la ventosa antes de volver a colocarla.
- Limpie el visualizador con un paño de limpieza disponible en el mercado.

Nota

Si la ventosa deja una marca en el parabrisas, frótelas con un paño humedecido con agua.

Sustitución del fusible

Al sustituir el fusible del adaptador para batería de automóvil, asegúrese de utilizar uno con el mismo amperaje que el indicado en el fusible original (**2,5 A**). Si el fusible se funde, verifique la conexión de alimentación y sustitúyalo. Si el fusible vuelve a fundirse después de sustituirlo, es posible que exista alguna falla de funcionamiento interno. En tal caso, consulte con el distribuidor Sony más cercano.

Advertencia

Nunca use un fusible cuyo amperaje supere el del suministrado con la unidad, ya que ésta podría dañarse.

Notas sobre cómo deshacerse de la unidad

Extraiga la batería de iones de litio incorporada cuando vaya a deshacerse de la unidad y entréguela en un punto de reciclaje. A continuación, se explica el procedimiento de extracción de la batería.

Nota

No desmonte la unidad excepto en el momento de desecharla.

Notas sobre la batería de iones de litio

- Mantenga la batería fuera del alcance de los niños.
- No sujete la batería con pinzas metálicas, ya que podría producirse un cortocircuito.

PRECAUCIÓN

La pila puede explotar si la trata mal.
No la recargue, desarme, ni la tire al fuego.

RECYCLADO DE BATERIAS DE IONES DE LITIO

Las baterías de iones de litio son reciclables. Usted podrá ayudar a conservar el medio ambiente devolviendo las baterías usadas al punto de reciclaje más cercano.

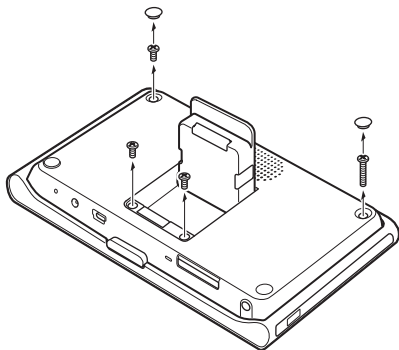
Para más información sobre el reciclado de baterías, llame al número gratuito 1-800-822-8837, o visite <http://www.rbrc.org/>.

Precaución: No utilice baterías de iones de litio dañadas o con fugas.

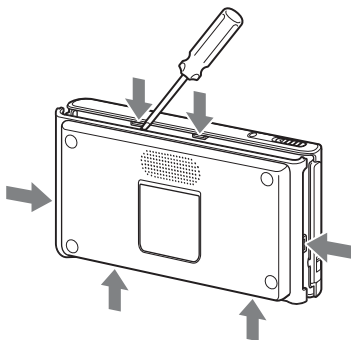


NV-U94T/U84

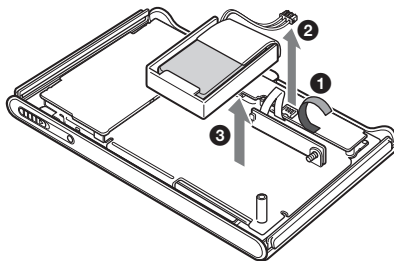
- 1 Presione el botón RESET para apagar la unidad.
- 2 Extraiga los 2 tapones de goma en la parte posterior de la unidad y, a continuación, los 4 tornillos mediante un destornillador.



- 3 Extraiga la cubierta posterior. Use un objeto puntiagudo, como un destornillador de cabeza plana, en las posiciones que se muestran en la ilustración para liberar los ganchos y abrir la cubierta posterior.



- 4 Extraiga la batería.



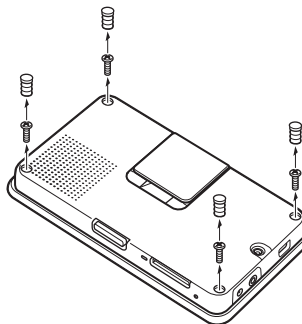
- 5 Envuelva con cinta el terminal del conector para aislarlo.

Notas

- Asegúrese de extraer la batería junto con el compartimento.
- Procure no dañar la batería con un objeto puntiagudo como un destornillador.

NV-U74T

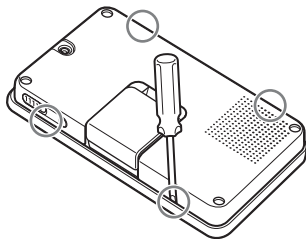
- 1 Presione el botón RESET para apagar la unidad.
- 2 Extraiga los 4 tapones de goma en la parte posterior de la unidad y, a continuación, los 4 tornillos mediante un destornillador.



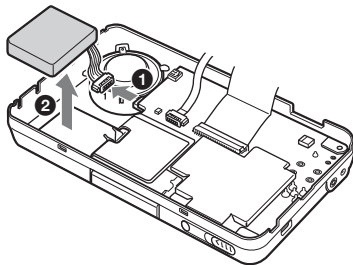
continúa en la página siguiente →

3 Extraiga la cubierta posterior.

Use un objeto puntiagudo, como un destornillador de cabeza plana, en las posiciones que se muestran en la ilustración para liberar los ganchos y abrir la cubierta posterior.



4 Extraiga la batería.



5 Envuelva con cinta el terminal del conector para aislarlo.

Nota

Procure no dañar la batería con un objeto puntiagudo como un destornillador.

Especificaciones

NV-U94T/U84

Unidad principal

Temperatura de funcionamiento: de 5 a 45 °C

Requisitos de alimentación: cc de 5 V del cable USB suministrado o el adaptador de alimentación de ca opcional

Terminales de conexión:

Conector de la base
Toma DC IN 5V
Toma USB
Toma de la antena GPS externa
Toma de auriculares

Ranura para tarjeta de memoria:

Ranura para Memory Stick Duo

Altavoz: altavoz ovalado de 20 × 40 mm

Corriente de consumo: máx. 1,5 A

Dimensiones: aprox. 150 × 87 × 20 mm

(an × al × prf, sin incluir las partes salientes)

Peso: aprox. 250 g

Monitor

Sistema: pantalla de cristal líquido transmisiva

Dimensiones: 4,8 pulgadas (16:9)

aprox. 106 × 60, 122 mm (an × al, prf)

Segmento: 391 680 (816 × 480) puntos

Comunicación inalámbrica (solo el modelo NV-U94T)

Sistema de comunicación:

Versión estándar Bluetooth 2.0

Salida: energía estándar Bluetooth Clase 2 (máx. +4 dBm)

Rango máximo de comunicación:

Línea de vista aprox. 10 m*1

Banda de frecuencia:

Banda de 2,4 GHz (2,4000 – 2,4835 GHz)

Método de modulación:

FHSS

Perfiles Bluetooth compatibles*2:

HFP (Hands-free Profile)
OPP (Object Push Profile)
A2DP (Advanced Audio Distribution Profile)

*1 El rango real variará en función de factores como obstáculos entre dispositivos, campos magnéticos cercanos a un horno microondas, electricidad estática, sensibilidad de la recepción, rendimiento de la antena, sistema operativo, aplicación de software, etc.

*2 Los perfiles estándar Bluetooth indican el objetivo de la comunicación Bluetooth entre los dispositivos.

Base

Temperatura de funcionamiento: de 5 a 45 °C

Requisitos de alimentación: cc de 5,2 V

del adaptador para batería de automóvil de 12 V/24 V suministrado (masa negativa)

Terminales de conexión:

Conector de la unidad

Toma DC IN 5.2V

Toma de antena TMC (solo el modelo NV-U94T)

Frecuencia de recepción: de 87,5 a 108,0 MHz

(solo el modelo NV-U94T)

Tiempo de carga/tiempo de uso de la batería incorporada

Tiempo de carga

Con el adaptador para batería de automóvil suministrado/adaptador de alimentación de ca opcional: aprox. 3 horas (con la unidad encendida) o 1,5 horas (en modo de espera)

Con el cable USB suministrado:

Aprox. 3 horas (en modo de espera)

Tiempo de uso

Hasta 2 horas (según el uso)

Accesorios opcionales

Adaptador de alimentación de ca: XA-AC13

Adaptador para batería de automóvil: XA-DC3

Base para automóvil TMC: NVA-CU5T

Antena GPS externa: VCA-42

El diseño y las especificaciones están sujetos a cambios sin previo aviso.



- Ciertas placas del circuito impreso no contienen retardantes de llama halogenados.
- Los chasis impresos no contienen retardantes de llama halogenados.
- Se utilizan pilas de ion de litio recargables.
- Las carcasas y la base están fabricadas parcialmente con plástico reciclado.
- Se ha utilizado cartón ondulado como material de relleno y de protección para este producto.
- Impreso con tinta de aceites vegetales, libre de COV (Compuestos Orgánicos Volátiles).

NV-U74T

Unidad principal

Temperatura de funcionamiento: de 5 a 45 °C

Requisitos de alimentación: cc de 5 a 5,2 V

del cable USB suministrado, el adaptador de alimentación de ca opcional o el adaptador para batería de automóvil de 12 V/24 V suministrado (masa negativa)

Terminales de conexión:

Toma DC IN 5-5.2V

Toma USB

Toma de la antena GPS externa

Toma de antena TMC

Frecuencia de recepción: de 87,5 a 108,0 MHz

Ranura para tarjeta de memoria:

Ranura para Memory Stick Duo

Altavoz: altavoz circular de 30 mm de diámetro

Corriente de consumo: máx. 1,5 A

Dimensiones: aprox. 133 x 79 x 20 mm

(an x al x prf, sin incluir las partes salientes)

Peso: aprox. 210 g

Monitor

Sistema: pantalla de cristal líquido transmissiva

Dimensiones: 4,3 pulgadas (16:9)

aprox. 95 x 54, 109 mm (an x al, prf)

Segmento: 391 680 (816 x 480) puntos

Comunicación inalámbrica

Sistema de comunicación:

Versión estándar Bluetooth 2.0

Salida: energía estándar Bluetooth Clase 2

(máx. +4 dBm)

Rango máximo de comunicación:

Línea de vista aprox. 10 m*1

Banda de frecuencia:

Banda de 2,4 GHz (2,4000 – 2,4835 GHz)

Método de modulación: FHSS

Perfiles Bluetooth compatibles*2:

HFP (Hands-free Profile)

OPP (Object Push Profile)

*1 *El rango real variará en función de factores como obstáculos entre dispositivos, campos magnéticos cercanos a un horno microondas, electricidad estática, sensibilidad de la recepción, rendimiento de la antena, sistema operativo, aplicación de software, etc.*

*2 *Los perfiles estándar Bluetooth indican el objetivo de la comunicación Bluetooth entre los dispositivos.*

continúa en la página siguiente →

Tiempo de carga/tiempo de uso de la batería incorporada

Tiempo de carga

Con el adaptador para batería de automóvil suministrado/adaptador de alimentación de ca opcional: aprox. 2 horas (con la unidad encendida) o 1 hora (en modo de espera)

Con el cable USB suministrado:

Aprox. 2 horas (en modo de espera)

Tiempo de uso

Hasta 2 horas (según el uso)

Accesorios opcionales

Adaptador de alimentación de ca: XA-AC13

Adaptador para batería de automóvil: XA-DC3

Base para automóvil: NVA-CU6

Antena GPS externa: VCA-42

El diseño y las especificaciones están sujetos a cambios sin previo aviso.



- Ciertas placas del circuito impreso no contienen retardantes de llama halogenados.
- Los chasis impresos no contienen retardantes de llama halogenados.
- Se utilizan pilas de ion de litio recargables.
- Las carcasas y la base están fabricadas parcialmente con plástico reciclado.
- Se ha utilizado cartón ondulado como material de relleno y de protección para este producto.
- Impreso con tinta de aceites vegetales, libre de COV (Compuestos Orgánicos Volátiles).

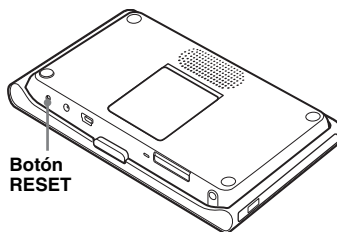
Solución de problemas

Restauración de la unidad

Si se produce alguna falla de funcionamiento del software o el hardware, intente reiniciar la unidad en primer lugar.

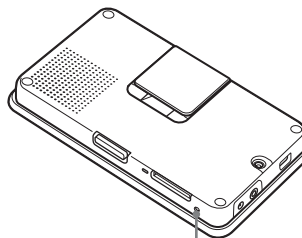
Presione el botón RESET y, a continuación, encienda la unidad.

NV-U94T/U84



Botón
RESET

NV-U74T



Botón
RESET

Nota

Después de restaurar la unidad, es probable que demore algún tiempo en recibir señales GPS cuando la encienda.

Lista de comprobación

La siguiente lista de comprobación le ayudará a solucionar los problemas que puedan producirse con la unidad.

Antes de consultarla, revise los procedimientos de conexión y de funcionamiento.

General

La unidad no se enciende.

- Cargue la batería incorporada.
- Compruebe que el adaptador para batería de automóvil esté insertado de forma segura en la toma del encendedor del automóvil.

La unidad se enciende de manera automática (la pantalla permanece desactivada) aunque no se esté usando. (solo el modelo NV-U94T/U84)

Si la temperatura interna de la unidad aumenta en exceso, se activa automáticamente el modo de descarga de batería y se reduce la capacidad de carga para proteger la batería.

El indicador CHG está apagado aunque el adaptador esté conectado. (solo el modelo NV-U94T/U84)

El indicador CHG se apaga durante el modo de descarga de batería.

No se puede cargar la batería incorporada.

- Encienda y apague la unidad.
- Si se está utilizando el adaptador para batería de automóvil, desconéctelo de la toma del encendedor del automóvil y, a continuación, vuelva a conectarlo.
- Encienda la computadora durante la carga USB. Tenga en cuenta que el indicador CHG posiblemente se ilumine en verde en el modo de espera de la computadora, aunque la batería no esté completamente cargada.
- La batería de iones de litio incorporada puede cargarse a una temperatura de entre 5 y 45 °C. Es posible que la batería no se cargue si la temperatura en el interior de la unidad aumenta debido a la exposición a la luz solar directa, etc. No se trata de una falla de funcionamiento.
- Si el tiempo de uso de la batería incorporada es demasiado corto tras la carga, es posible que la batería esté deteriorada.

(solo el modelo NV-U94T/U84)

→ Póngase en contacto con el Centro de atención al cliente:

Estados Unidos: 1-800-222-7669

Canadá: 1-877-899-7669

La pantalla de cristal líquido no se visualiza con normalidad.

A altas temperaturas, es posible que la pantalla de cristal líquido se oscurezca y no se visualice correctamente. A bajas temperaturas, es posible que se produzca una imagen residual en dicha pantalla. No se trata de fallas de funcionamiento, por lo que la pantalla de cristal líquido volverá a funcionar con normalidad cuando la temperatura vuelva a situarse dentro del rango de funcionamiento especificado.


La base se despegue de la superficie de adhesión.

La fuerza de adhesión se debilita si la superficie de adhesión o la ventosa se ensucian.

→ Limpie la superficie de la ventosa y la superficie de adhesión con un paño suave libre de pelusas y humedecido (página 12).

Navegación

No se recibe ninguna señal GPS.

Primero, lea la información general de GPS (página 7) y, a continuación, compruebe el estado del GPS mediante la opción  en el menú principal → “General” → “Estado del GPS”.

- El sistema no puede recibir señales GPS debido a una obstrucción.
 - Desplace el automóvil hasta una ubicación en la que puedan recibirse las señales con claridad.
- Hay un obstáculo frente a la antena GPS.
 - Instale la unidad donde la señal no se vea interrumpida por la carrocería del automóvil, etc.
- La recepción de la señal GPS puede ser débil según el material del parabrisas del automóvil.
 - Utilice la antena GPS externa opcional VCA-42.

La posición del vehículo en el mapa no coincide con la carretera por la que se circula.

El margen de error de la señal procedente de los satélites GPS es demasiado grande. Puede haber un margen de error máximo de unos pocos cientos de metros.


No se escuchan las instrucciones orales.

El volumen está demasiado bajo.

→ Suba el volumen.

continúa en la página siguiente →

El modo de demostración se inicia automáticamente aunque no se realice ninguna operación.

→ Para desactivar el modo de demostración automática, toque  en el menú principal → “General” → “Modo demostración”. A continuación, confirme que la opción “Demostración automática” está desactivada.

Función Bluetooth (solo el modelo NV-U94T/U74T)

El dispositivo de conexión (teléfono celular, etc.) no puede detectar esta unidad.

→ Establezca “Señal Bluetooth” en “Encendido”.

- Durante la conexión a un dispositivo Bluetooth, esta unidad no puede detectarse desde otro dispositivo.
→ Anule la conexión actual y busque esta unidad desde otro dispositivo.

No se puede establecer la conexión Bluetooth.

→ Realice de nuevo el emparejamiento.
→ Compruebe los procedimientos de emparejamiento y conexión en el manual del otro dispositivo, etc. y realice la operación nuevamente.
→ Consulte el sitio web de Sony para verificar que el otro dispositivo puede conectarse a esta unidad.

- Según el otro dispositivo, es posible que no pueda realizar búsquedas desde esta unidad.
→ Busque esta unidad desde el otro dispositivo.
- Según el estado del otro dispositivo, es posible que no pueda realizar búsquedas desde esta unidad.
→ Busque esta unidad desde el otro dispositivo.

El nombre del dispositivo detectado no aparece.

→ Realice de nuevo el emparejamiento.

- Según el estado del otro dispositivo, es probable que no pueda obtenerse el nombre.

El volumen de la voz de la persona que realiza la llamada es muy bajo.

→ Ajuste el volumen a través de los botones +/- de la pantalla.

Se escucha un eco o ruido en las conversaciones mediante el teléfono celular.

→ Baje el volumen.
→ Si el ruido ambiente ajeno al sonido de la llamada telefónica es alto, intente reducirlo. Por ejemplo, si hay una ventana abierta y el ruido de la calle, etc. es alto, cierre la ventana. Si el ruido producido por el aire acondicionado es alto, baje el aire acondicionado.

La calidad del sonido de la voz de la persona que realiza la llamada es mala.

La calidad del sonido del teléfono depende de las condiciones de recepción del teléfono celular.
→ Desplace el automóvil a un lugar en el que pueda mejorar la señal del teléfono celular si la recepción es débil.

Algunas funciones no están disponibles.

→ Compruebe que el dispositivo de conexión admite las funciones en cuestión.

El nombre de la persona que realiza la llamada no aparece al recibir una llamada.

- Los datos de la persona que realiza la llamada no están almacenados en la libreta de direcciones.
→ Guárdelos en la libreta de direcciones.
- El teléfono de la persona que llama no está configurado para enviar el número de teléfono.

Se produjo un error de emparejamiento debido a que se agotó el tiempo de espera.

Según el dispositivo de conexión, el límite de tiempo para el emparejamiento puede ser breve. Intente completar el emparejamiento en el tiempo establecido.

No se emite ningún sonido desde el altavoz de la unidad durante la llamada con manos libres.

→ Si el sonido se emite desde el teléfono celular, configure el teléfono para que emita el sonido desde el altavoz de la unidad.

Reproducción de audio (solo el modelo NV-U94T)

No es posible reproducir audio.

- No se insertó ningún “Memory Stick Duo” que contenga archivos de audio en la unidad.
- La unidad solo admite archivos MP3 (MPEG-1 Audio Layer-3) con una frecuencia de muestreo de 32/44,1/48 kHz y una velocidad de bits de 32 a 320 kbps (VBR).
- Los archivos AAC (Advanced Audio Coding) con protección de derechos de autor no se pueden reproducir.
- La unidad admite solamente archivos AAC-LC con una frecuencia de muestreo de 8/11,025/12/16/22,05/24/32/44,1/48 kHz y una velocidad de bits de 16 a 320 kbps (VBR). En función de la frecuencia de muestreo, la velocidad de bits puede incluir velocidades no estándar o no garantizadas.

Reproducción de video (solo el modelo NV-U94T)

No es posible reproducir video.

- No se insertó ningún "Memory Stick Duo" que contenga archivos de video en la unidad.
 - La unidad solo admite archivos MP4 (MPEG-4 Simple Profile).
 - La unidad solo admite archivos de video con una resolución QVGA (320 × 240).
-

La imagen es inestable durante la reproducción de video.

Si se reproduce un archivo de video con una velocidad de fotogramas superior a 15 fps y una velocidad de bits superior a 384 kbps, puede producirse inestabilidad en la imagen.

Reproducción de fotografías

No es posible reproducir fotografías.

- No se insertó ningún "Memory Stick Duo" que contenga archivos de fotografía en la unidad.
 - La unidad solo admite archivos JPEG.
 - La unidad solo admite fotografías de 12 megapíxeles como máximo.
-

On copyrights


The map and POI data may contain copyrighted material. Copyrighted data on a “Memory Stick Duo” should be used within the limits of the copyright law. Do not violate the provisions of the copyright law.

Copyright © 2008 ZENRIN CO., LTD. All Rights Reserved.

© 2007 NAVTEQ All Rights Reserved

The data for areas of Canada includes information taken with permission from Canadian authorities, including: © Her Majesty the Queen in Right of Canada, © Queen’s Printer for Ontario, © Canada Post Corporation, GeoBase®.

On trademarks

- Microsoft, Windows and Windows Vista are registered trademarks of Microsoft Corporation in the United States and other countries.
- “Memory Stick”, , “Memory Stick Duo”, **MEMORY STICK DUO**, “Memory Stick PRO Duo”, **MEMORY STICK PRO DUO**, “Memory Stick Micro” (“M2”), “MagicGate”, **MAGIC GATE**, “nav-u” and **nav-u** are trademarks of Sony Corporation.
“MagicGate” is a generic name of a copyright protection technology, developed by Sony Corporation.
- The Bluetooth word mark and logos are owned by the Bluetooth SIG, Inc. and any use of such marks by Sony Corporation is under license.

All other trademarks are trademarks of their respective owners.

On licenses

MP3

MPEG Layer-3 audio coding technology and patents licensed from Fraunhofer IIS and Thomson.

MPEG-4 Audio

[“Do Not Copy” Notice] Licensed Products may not be decompiled, reverse-engineered, or copied, except with regard to PC Software, End-Users may make single copies for archival purposes.

MPEG-4 Video

THIS PRODUCT IS LICENSED UNDER THE MPEG-4 VISUAL PATENT PORTFOLIO LICENSE FOR THE PERSONAL AND NON-COMMERCIAL USE OF A CONSUMER FOR

- ENCODING VIDEO IN COMPLIANCE WITH THE MPEG-4 VISUAL STANDARD (“MPEG-4 VIDEO”) AND/OR
- DECODING MPEG-4 VIDEO THAT WAS ENCODED BY A CONSUMER ENGAGED IN A PERSONAL AND NON-COMMERCIAL ACTIVITY AND/OR WAS OBTAINED FROM A VIDEO PROVIDER LICENSED BY MPEG LA TO PROVIDE MPEG-4 VIDEO.

NO LICENSE IS GRANTED OR SHALL BE IMPLIED FOR ANY OTHER USE. ADDITIONAL INFORMATION INCLUDING THAT RELATING TO PROMOTIONAL, INTERNAL AND COMMERCIAL USES AND LICENSING MAY BE OBTAINED FROM MPEG LA, LLC. SEE [HTTP://WWW.MPEGLA.COM](http://WWW.MPEGLA.COM)

<http://www.sony.net/>

Sony Corporation Printed in Thailand