

## RANGE COMPOSITION

Ideal for smaller sized catering establishments: bars, pubs, fast food outlets, pizzerias and small hotels; the Snack 600 range of modular cooking appliances consists of a series of appliances each with a depth of 600 mm - in gas and electric - featuring high power for fast service whether in table top situations, where space is a premium, or in a complete cooking installation, using the base units that can include doors, drawers or runners for gastronorm containers.



SGG 700

# SNACK 600

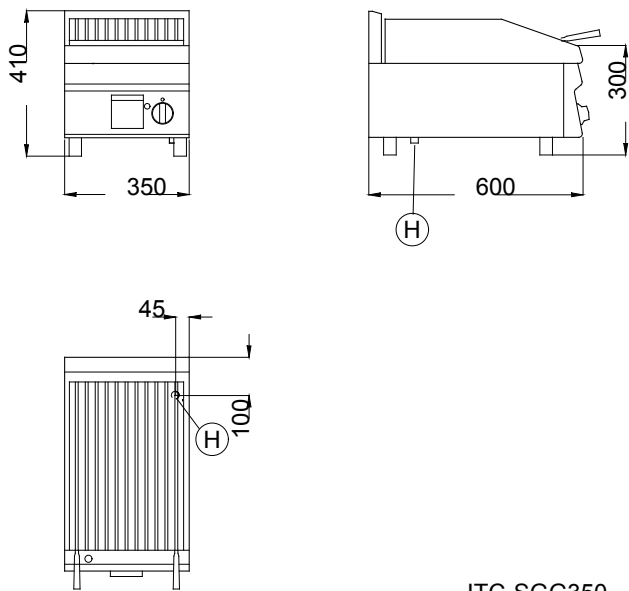
## GAS CHARCOAL GRILLS **ZANUSSI** PROFESSIONAL

### FUNCTIONAL AND CONSTRUCTION FEATURES

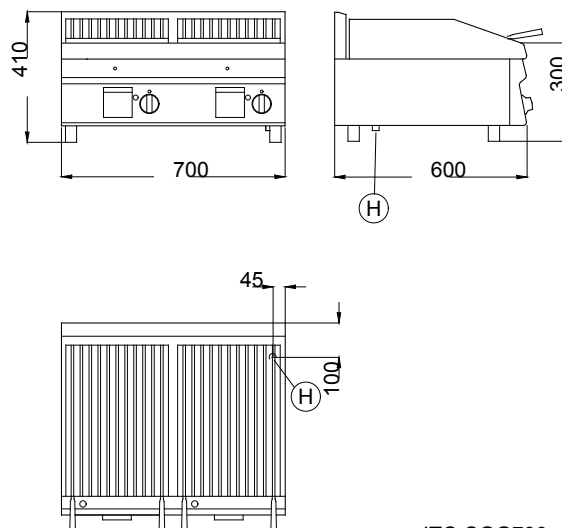
- ◆ Constructed completely in 18/10, 304 AISI stainless steel to guarantee a hard-wearing performance.
- ◆ Hygiene guaranteed by rounded edges, flush fit between units, side upstands and sealing joints, completely smooth and easy to clean surfaces.
- ◆ The full module version is equipped with separate controls for each cooking section.
- ◆ The cooking surface consists of height adjustable grids for excellent cooking.
- ◆ Splashback and side splashguards.
- ◆ Excess fats drained via a hole at the front into a pull-out drawer.
- ◆ The griddles and internal components are extractable for easy cleaning.
- ◆ The gas appliances are supplied for use with natural gas, with LPG conversion jets supplied as standard.

- ◆ Special grid with drainage channels and lava rock supplied as standard.
- ◆ The gas charcoal grill tops can be mounted on open base cupboards with hinged doors, a chest of drawers or runners for gastronorm containers available as accessories.
- ◆ All models comply with the standards required by the main international approval bodies and are CE marked.

TECHNICAL DATA		
CHARACTERISTICS	MODELS	
	SGG350 285773	SGG700 285774
Power supply	Gas	Gas
External dimensions - mm		
width	350	700
depth	600	600
height	300	300
Power - kW		
gas	6	12
Grid dimensions - mm	300X480	2-300X480
Net weight - kg.	23	45



ITC-SGG350



ITC-SGG700

**LEGEND**

	<b>SGG350</b> 285773	<b>SGG700</b> 285774
H - Gas connection	1/2"	1/2"



**OPTIONAL ACCESSORIES**

ACCESSORIES	MODELS	
	SGG350 285773	SGG700 285774
GRID FOR FISH COOKING	285803	285803
GULLEY WITH JOINING PANEL FOR 600 LINE	285798	285798



www.zanussiprofessional.com