

# Aussie<sup>TM</sup> by MECO<sup>®</sup> CORPORATION



## PORTABLE LP Gas Grill

### Assembly and Use Manual



**MODEL 2200**

For Customer Service, call  
1-800-251-7558  
[www.meco.net](http://www.meco.net)

© MECO CORPORATION<sup>®</sup> 2004



•READ AND FOLLOW INSTRUCTIONS CAREFULLY BEFORE ASSEMBLY OR USE. FAILURE TO FOLLOW THESE INSTRUCTIONS COULD RESULT IN DEATH, SERIOUS BODILY INJURY, AND/OR PROPERTY LOSS.  
•FOR OUTDOOR HOUSEHOLD USE ONLY. NOT FOR COMMERCIAL USE.  
•SOME PARTS MAY CONTAIN SHARP EDGES - ESPECIALLY WHERE NOTED IN THIS MANUAL! WEAR PROTECTIVE GLOVES IF NECESSARY.  
•THESE INSTRUCTIONS MUST BE KEPT WITH THE CONSUMER AND RETAINED FOR FUTURE USE.

#### FOR YOUR SAFETY

If you smell gas:

1. Shut off gas to the appliance.
2. Extinguish any open flame.
3. Open Hood.
4. If odor continues, immediately call your gas supplier or your fire department.

#### FOR YOUR SAFETY

1. Do not store or use gasoline or other flammable vapors and liquids in the within 25 feet (7.62m) of this or any other appliance.
2. An LP cylinder not connected for use shall not be stored within 10 feet (3.05m) in the vicinity of this or any other appliance.

# Contents

I. IMPORTANT SAFEGUARDS.....	2	3) Grill Cooking.....	10
II. Preparation and Grill Set-up.....	4	4) End of Cooking Session.....	10
III. Attaching the LP Gas Cylinder to the Regulator .....	6	5) Turning Off Your LP Gas Grill.....	10
IV. Before Using Your LP Gas Grill.....	6	D) Care and Maintenance.....	11
A) Selecting a Location.....	6	1) Burner Maintenance.....	11
B) Leak Testing.....	6	2) Cleaning the Grill.....	12
V. Operating Your LP Gas Grill.....	7	3) Grease Cup .....	12
A) Gas Cylinder and Regulator Information.....	7	4) LP Cylinder Storage.....	12
1) LP Cylinder.....	7	5) Precautions.....	12
2) Connecting/Disconnecting LP Gas Cylinder to Grill...8		6) Preventive Maintenance.....	12
B) Regulator Assembly.....	8	7) Grill Moving & Storage.....	13
C) Preparation Before Cooking.....	8	VI. Troubleshooting.....	13
1) Lighting the Grill Using the Igniter.....	9	VII. Replacement Parts .....	14
2) Manual Lighting of the Grill.....	9	VIII. Limited Warranty.....	16

## IMPORTANT SAFEGUARDS

### **⚠ DANGER!**

**FAILURE TO FOLLOW THESE SAFEGUARDS COULD RESULT IN DEATH, SERIOUS BODILY INJURY, AND/OR PROPERTY LOSS. READ AND FOLLOW ALL INSTRUCTIONS CAREFULLY BEFORE ASSEMBLY OR USE OF THE LP GAS GRILL.**

### SAVE THESE INSTRUCTIONS

- ⚠ WARNING!** Read and follow all instructions. This grill is fully assembled. Do not use grill if it is not COMPLETELY assembled, parts are not securely fastened, or parts are missing.
- For Household Outdoor Use Only - Do Not Use Indoors or on recreational vehicles or boats. Never use as a space heater. **Caution: Do not use this grill unless the legs are fully extended.** NOT FOR COMMERCIAL USE.
- ⚠ WARNING!** To reduce the risk of serious or fatal injury from breathing toxic fumes and from explosion and fire as a result of leaking gas, use only outdoors in an open area with good ventilation. As with all conventional fuels, the burning process consumes oxygen and produces toxic gases, including carbon monoxide. In addition, the combustion products of such fuels, including liquefied petroleum (LP), contain chemicals known to the state of California and other authorities to cause cancer, birth defects and other reproductive harm.
- Place your Liquefied Petroleum (LP) gas grill on a firm, level surface. Grill should be setup away from high traffic areas and combustible materials.
- Locate your LP gas grill at least 10 feet away from your house or any building. Do not use the grill in a garage, breezeway, carport, porch, or in any enclosed area or high traffic area. Do not locate this appliance under or near combustible structures, materials, gasoline, and other flammable liquids or vapors. The grill must be on a level, stable surface.
- Have a BC dry chemical fire extinguisher accessible. Never attempt to extinguish a grease fire with water or other liquids. Dirt, sand or baking soda may be used in an emergency.
- ⚠ WARNING! If your grill catches on fire:**
  - If the fire is in the grill portion and you can safely reach the Control Knob, then turn it "OFF" by turning knob clockwise. If you cannot safely reach the Control Knob, call the fire department.
  - If the fire involves the cylinder, leave it alone, evacuate the area and call the fire department.
  - If there is any type of fire that threatens either personal safety or endangers property, call the fire department.
- Check the bottom Bowl panel for grease buildup. Empty Grease Cup regularly. **Never use the grill without Grease Cup in place.**
- This installation must conform with local codes or, in the absence of local codes, with either the National Fuel Gas Code, *ANSI Z223.1/NFPA 54 Storage and handling of Liquefied Petroleum Gases ANSI/NFPA 58* or *CSA B149.1 Natural Gas and Propane Installation Code.*
- If an external electrical source is utilized, the outdoor cooking appliance, when installed, must be electrically grounded in accordance with local codes or, in the absence of local codes, with the *National Electrical Codes, ANSI/NFPA 70, or the Canadian Electrical Code. CSA C22.1.*

12. Keep any electrical supply cord away from any heated surfaces. Electric cords should be placed away from walkways to avoid a tripping hazard.
13. Combustible materials should never be within 36 in. of the back or sides of your LP gas grill.
14. **▲ WARNING! Always Store Lp Cylinders upright and where temperatures do not exceed 125 degrees Fahrenheit. Never store a spare or disconnected LP cylinder under or near this LP gas grill.**
15. Check the LP gas grill for gas leaks and burner obstructions before each use.  
**▲ WARNING! Do not use a flame to check for gas leaks.** See **Before Using Your LP Gas Grill** section of this manual for correct leak test procedures. A clogged burner tube can lead to a fire.
16. **▲ DANGER! If you see, smell, or hear the hiss of escaping gas from the LP cylinder:**  
**A. Get away from the cylinder.**  
**B. Do not attempt to correct the problem yourself.**  
**C. Call your local fire department.**
17. **▲ WARNING! Do not operate an LP gas grill if you have knowledge of or suspect a gas leak.**
18. Always inspect the Gas Hose Regulator Assembly before each use. Turn the LP Cylinder and Control Knobs to the "OFF" position before inspecting parts. If the Hose or Regulator is cut, damaged, or shows signs of excessive abrasion or wear, do not use the LP gas grill. Contact the manufacturer, as the Hose/Regulator Assembly must be replaced with an assembly specified by the manufacturer prior to further use of the LP gas grill.
19. **▲ WARNING!** Before lighting the LP gas grill, open the Hood to prevent an explosion from gas build-up. See Operation of Your LP Gas Grill section
20. If any burner does not light, turn off all Control Knobs. Wait five minutes before attempting to light.
21. If burners go out during operation, turn "OFF" Control Knobs. Wait five minutes before attempting to light.
22. Exercise reasonable care when using this LP gas grill. Never leave grill unattended during use or cleaning.
23. Never allow children to operate or play near an LP gas grill. Keep animals and bystanders out of the grill area.
24. Always turn off the Control Knobs when not in use. Allow grill to cool before handling parts or cleaning.
25. **▲ WARNING!** Do not move an LP gas grill when in use or hot. Allow to cool before moving, putting on or removing parts and before cleaning or storing the grill.
26. **▲ WARNING!** Never touch hot surfaces. Use heat resistant gloves, long-handled tongs, or cooking mitts at all times. The grill will become very hot. Be careful when cooking to avoid burns from the hot vapors and steam generated by the grill.
27. Use only the Regulator Assembly that is supplied with your LP gas grill and/or specified by the manufacturer.
28. Use of this LP gas grill other than for the intended use, or alteration of LP gas grill in any way may not be safe and will void any warranty.
29. Never attempt to repair the LP gas grill or cylinder. Properly discard the bad LP cylinder and replace it with a good one. Call local refuse utility or recycle center to discard. Contact the grill manufacturer regarding repairs to your grill.
30. LP gas is not natural gas. The conversion or attempted use of natural gas in an LP unit, or LP gas in a natural gas unit is dangerous and will void your warranty.
31. Do not use charcoal in this LP gas grill. Do not use aerosols or store flammable liquids or materials near this LP gas grill.
32. **▲ WARNING!** Do not wear loose clothing (for example: hanging shirt tails, clothing with frills, etc.) around an LP gas grill while in use or hot.
33. Never use an LP cylinder if it shows signs of: dents, gouges, bulges, fire damage, corrosion, leakage, excessive rust or other forms of visual external damage. Do not use an LP cylinder with a damaged valve.
34. Even though your LP cylinder may appear to be empty, gas may still be present and the cylinder should be transported and stored accordingly.
35. Never store an LP gas cylinder indoors (empty or filled). If storing your gas grill indoors, disconnect LP gas cylinder and store it outdoors out of the reach of children.
36. Never leave an LP cylinder inside a vehicle which may become overheated by the sun.
37. Never lean your body over the LP gas grill when lighting it or while it is in use or hot.
38. Do not attempt to disconnect, move or alter any gas fittings while your LP gas grill is in operation.

39. Your LP gas grill should be cleaned on a regular basis. Refer to Care and Maintenance section in this manual.
40. Never douse the grill with water when its surfaces are hot because it may cause grease to splatter causing a burn.
41. When not in use, the gas must be turned "OFF" at the Control Knobs and LP Cylinder. The 1 lb. disposable LP Cylinder must be disconnected.
42. Do not operate the grill after it malfunctions, or is dropped or damaged in any manner. Contact Consumer Service for advice and replacement of parts.
43. The use of accessory attachments not recommended by the grill manufacturer may cause injury and void warranty.
44. The use of alcohol, prescription or non-prescription drugs may impair the consumer's ability to properly assemble or operate the appliance.

## — NOTICE —

MECO CORPORATION STRIVES TO BE A QUALITY SUPPLIER OF CONSUMER PRODUCTS. IF WE INADVERTENTLY OMITTED ANY PARTS NEEDED FOR ASSEMBLY, OR YOU NEED TROUBLESHOOTING INFORMATION, PLEASE CONTACT US USING OUR TOLL FREE NUMBER. THANK YOU FOR PURCHASING A MECO CORPORATION PRODUCT.

1-(800)-251-7558  
 8 am - 6 pm E.S.T Mon. - Fri.  
 1-(423)-639-1171 (TELEPHONE)  
 1-(423)-639-1055 (FAX)

[www.meco.net](http://www.meco.net)

CONSUMER SERVICE DEPARTMENT  
 MECO CORPORATION  
 1500 INDUSTRIAL ROAD  
 GREENEVILLE, TN. 37745 USA

## PREPARATION AND GRILL SET-UP

**BEFORE FIRST USE:** Remove Grill and all the packaging from carton and place on floor. Make sure there are no loose parts. **Note: Before using your grill, read the instructions and your manual.**

Follow instructions of each step in the order they are written as you look at the diagrams. This will allow for easier assembly.

If you need replacement parts, look in the Parts List Section find the exact parts you need.

If you have any questions which require help, contact Customer Service and be sure to mention the model number of your grill, which can be viewed on the bottom of the right fold down side table.

**TOOLS NEEDED:** Phillips Head Screwdriver, Pliers and/or wrenches.

**STEP 1.** With the Grill on the floor or a level surface, pull the Right Handle Bar all the way out. (there are three positions) until it clicks into place. **(Fig. 1)**

**STEP 2.** Pull grill off the floor while tilting against your foot or lean it against a wall. Pull the leg shelf away from the Body snap locks at the top. **(Fig. 2)** Lift Leg Shelf out from the bottom Shelf hooks and set aside. **(Fig. 3).**

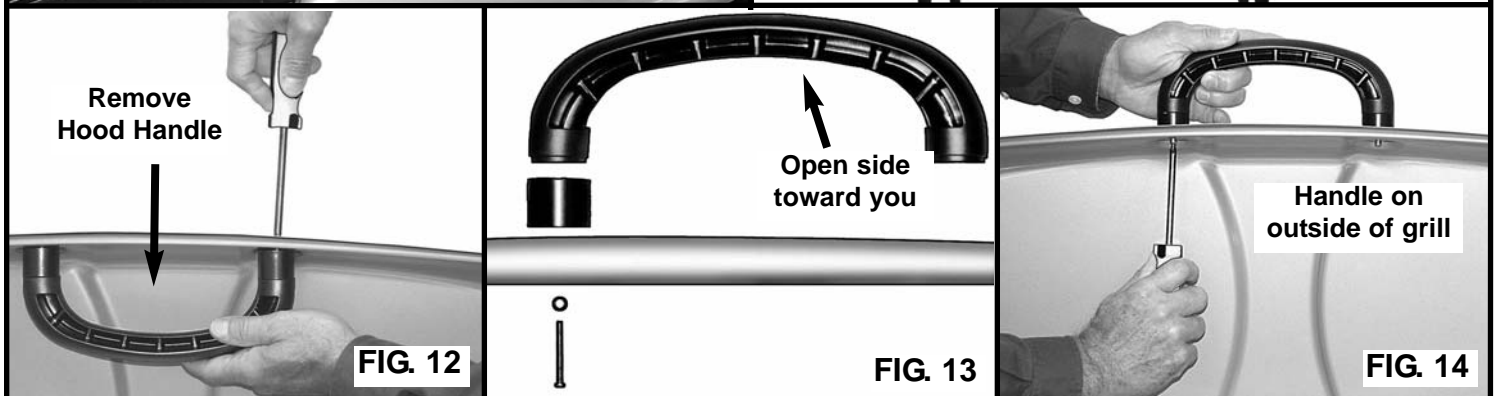
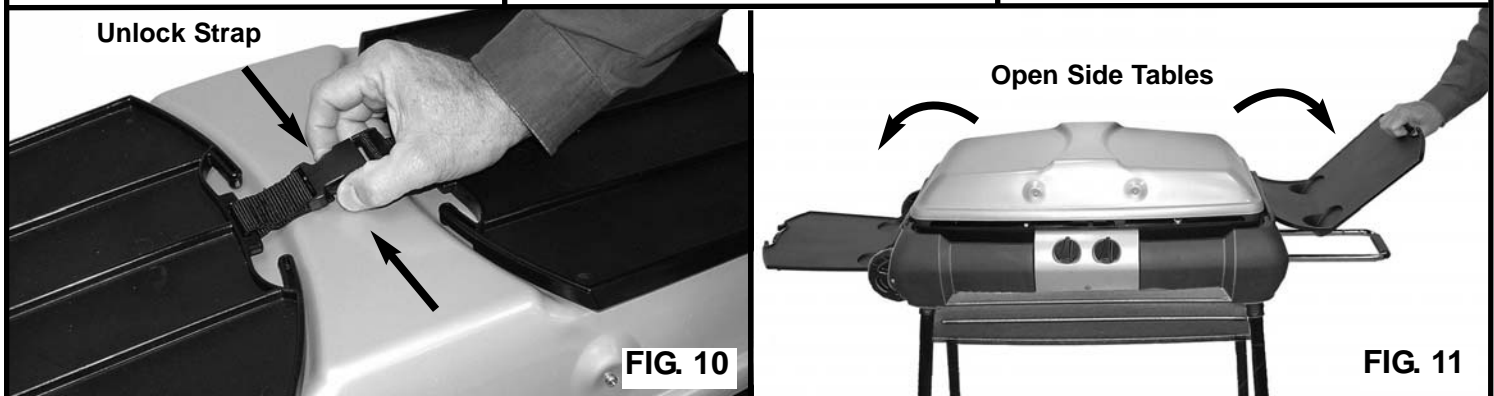
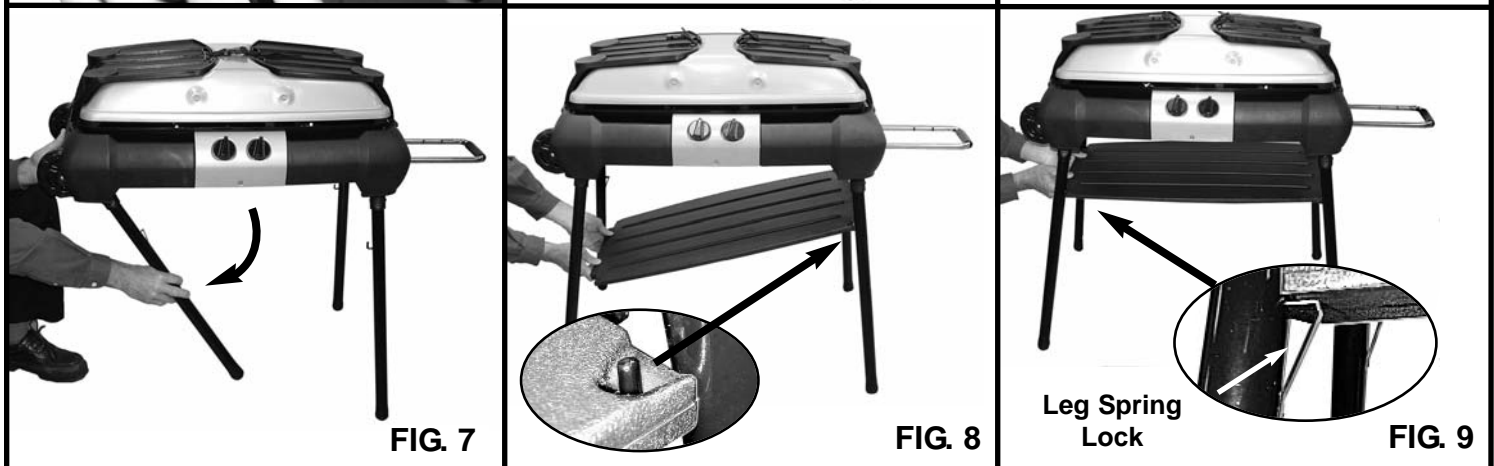
**STEP 3.** Pull downward on the spring loaded Locking Ring of the Right front and rear Legs. **(Fig. 4)** Swing the legs out and away from the grill until they lock into place. **(FIG. 5)**

**STEP 4.** Lean Grill on the right legs. **(Fig. 6)** Lift up other side of the Grill, pull Locking Ring toward end of leg and open the left side legs. **(FIG. 7)**

**STEP 5.** Pick up the leg shelf and hang the holes in the corners onto the Hooks on the Right Legs. **(Fig. 8)** Raise left end of Leg Shelf over locking springs until it snaps into place of both legs. **(FIG. 9)**

**STEP 6.** Squeeze the Strap on top of the Grill to unlock. **(Fig.10)** Pull out the Left handle bar and fold down the Side Tables. **(Fig. 11)**

**STEP 7.** Open the Hood. With a Phillips Head Screwdriver, remove the Hood Handle from the inside of the Hood. **(Fig. 12)** With the same screws, carefully align the Metal Spacers and Handle. **(Fig. 13)** Be sure the open side of the handle points toward you as you install it. Assemble the Handle on the outside of the Hood. **(Fig. 14)**



# ATTACHING THE LP GAS CYLINDER TO THE REGULATOR

**NOTE:** Your Gas Grill uses a 1 lb. Disposable LP Cylinder but a 20 lb. cylinder and 4 ft adaptor hose can be purchased separately.

**STEP 1.** Turn the Grill Control Knobs to the "OFF" position. (FIG. 15A)

**STEP 2.** Remove the protective cap from the cylinder gas nozzle. Keep it for re-capping.

**STEP 3A. (1 lb Cylinder)** Grasp the Regulator with one hand. Hold the LP cylinder upright with other hand, push the LP Cylinder nozzle into regulator nipple and turn counterclockwise. (FIG. 15B) Do not turn Cylinder upside down. Make sure the connection does not cross thread.

**STEP 4A.** Hand tighten to a snug connection. Do not use tools.

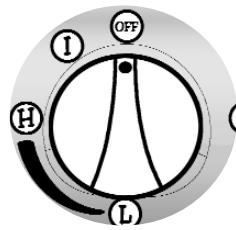


FIG. 15A



FIG. 15B

**STEP 3B. (20 lb Cylinder)** Hook the 20 lb. Cylinder upright to the hanger on the right side. Connect end of hose to Cylinder valve by turning counter-clockwise and hand tighten. (FIG.16A)

**STEP 4B.** Run the other end of the hose under the Leg shelf behind the leg. Grasp and hold the regulator with one hand. Push the hose end into the regulator nipple and turn the knurled knob clockwise. (FIG. 16B) Make sure the connection does not cross thread. Hand tighten to a snug connection. Do not use tools.

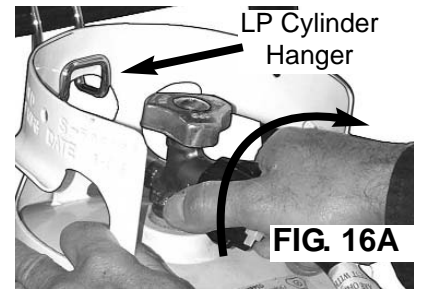


FIG. 16A

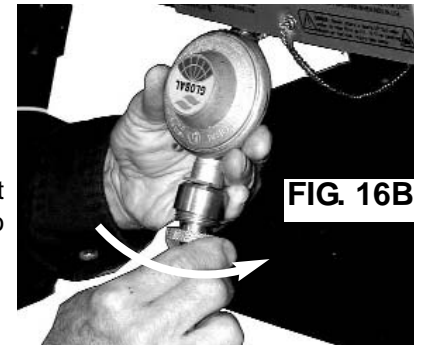


FIG. 16B

# BEFORE USING YOUR LP GAS GRILL

**STEP 1. Set up grill at the location where you will be using it.**

## Selecting a Location

### ⚠ WARNING!

• Do not use an LP gas grill indoors, on recreational vehicles, or on a boat.

- This LP gas grill is for outdoor use only and should be placed on firm, level surface. The grill should be placed in an open area with good ventilation, away from high traffic areas and combustible materials.
- Combustible or flammable materials should never be used or stored within 36 inches of the back or sides of your LP gas grill.
- Locate your LP gas grill at least 10 feet away from your house or any building. Do not use the grill in a garage, breezeway, carport, porch, or under a surface that can catch fire.

**STEP 2. Perform a leak test.**

## Leak Testing

### ⚠ WARNING!

- Always perform a leak test before each use.
- Leak test must be performed in a well ventilated area.
- Never perform a leak test on a grill while in use or hot.
- If you detect a gas leak that cannot be corrected by using the leak test procedures below, do not use the LP gas grill.
- Never smoke or have an open flame near the grill.

## Supplies Needed for a Leak Test

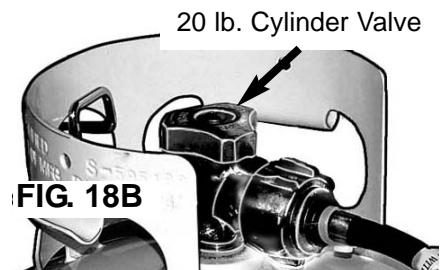
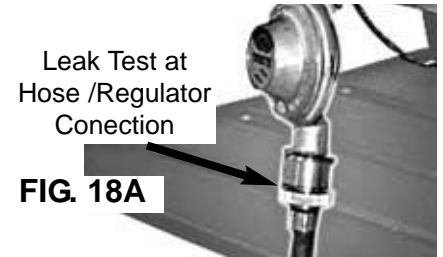
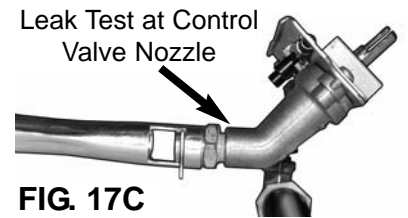
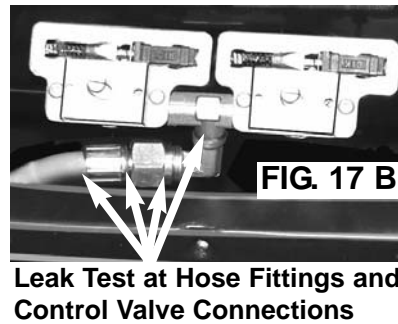
Clean paint brush, water, and dishwashing liquid.

**How to perform a leak test: See leak test diagrams next page.)**

**⚠ WARNING! Never use an open flame to test for gas leaks.**

- 1) Mix 1-cup of water with one cup of dishwashing liquid.
- 2) Make sure all Control Knobs are in the "Off" position.
- 3) Remove the two Cooking Surfaces.
- 4) Pull the Control Knobs off the valve stems. Remove the 5-screws securing the Grid Insert Guide, Control Panel and Chain and Match Holder. Lay parts aside. (See page 11 FIG. 22A)
- 5) If LP Cylinders are not already connected, attach them according to above instructions for Attaching LP Gas Cylinder to Regulator.
- 6) (For 1lb. Disposable Cylinders) Check for leaks by brushing the soap solution around the connections between the gas cylinder and the regulator (FIG. 17A), the hose connection to the control valve (FIG. 17B), and the Control valve nozzle. (FIG. 17C) Make sure you generously brush the locations with the soap solution, completely surrounding the connections and fittings. (For 20 lb. LP Cylinders) Open the cylinder valve by turning the LP gas cylinder handle counter-clock wise. Check for leaks by brushing the soap solution around the connection between the gas regulator and hose (FIG. 18A) and the hose connection to the LP cylinder valve (FIG. 18B)
- 7) If "growing" bubbles appear on any of the connection points, then you have detected a gas leak. Immediately disconnect the LP cylinder from the regulator.

- A) If a leak appears at the connection of the 1 lb. cylinder/regulator, unscrew the cylinder and retighten, but by hand only. Do not use tools.) Repeat Leak Test.
- B) If a leak appears at the hose/control valve, or nozzle connection, tighten the connection with a wrench.
- C) If a leak appears at either end of the 20 lb. cylinder/hose or hose /regulator connection, unscrew the hose and retighten by hand.
- D) If a leak appears around the 20 lb. LP cylinder valve or any other connection that can not be stopped, disconnect the LP Cylinder. Do not use the grill. Call Customer Service at 1-800-251-7558.
- 8) If no leaks appear, re-assemble the Grid Insert Guide, Control Panel, Chain and Match Holder and Control Knobs. (See page 11, FIG. 23A)



**STEP 3. If no leaks are found, the grill is ready to be operated.**

## OPERATING YOUR LP GAS GRILL

### ⚠ WARNING!

- Before proceeding, make certain you understand the Important Safeguards at the beginning of this manual.
- Before lighting the LP gas grill, you must open the hood to prevent an explosion from gas build-up.
- If your LP gas grill catches on fire:
  - If the fire is in the grill portion and you can safely reach the Control Knob, then turn it to the Off position.
  - If the fire involves the hose, regulator or the cylinder, leave it alone, evacuate the area and call the fire department.
  - If there is any type of fire that threatens either personal safety or endangers property, call the fire department.
- Do not operate an LP gas grill if you have knowledge of or suspect a gas leak.
- Never allow children to operate or play near an LP gas grill. Do not leave grill unattended.
- Always turn the grill off when not in use. Allow grill to cool before handling parts or cleaning.
- Do not move an LP gas grill when in use or hot.
- Never touch hot surfaces. Use heat resistant gloves, long-handled tongs, or cooking mitts at all times since the grill will become very hot. Open the hood carefully when cooking to avoid burns from the hot air and steam trapped inside.
- Do not wear loose clothing (example: hanging shirt tails, clothing with frills, etc. around a LP gas grill while in use or hot.
- Never lean your body over the LP gas grill when lighting it or while it is in use or hot.

- Always empty grease cup before it fills up to prevent any grease fires.

### GAS CYLINDER, AND REGULATOR INFORMATION

This LP gas grill was designed to use propane gas. Propane cylinders will supply gas all year round, even on cold winter days.

#### LP Cylinder

### ⚠ DANGER!

- Read and follow all warnings on LP gas cylinder.
- If you see, smell, or hear the hiss of LP gas escaping from the cylinder:
  - 1) Evacuate all people from the grilling area.
  - 2) Do not attempt to correct the problem yourself.
  - 3) Call the local fire department.
- The LP gas cylinder, for use with Aussie LP gas grills, must meet the following requirements:
  - 1) Only use cylinders marked "Propane Fuel"
  - 2) 1lb Disposable Cylinder size should be 4" diameter x 8" tall.
  - 3) 20 lb Refillable Cylinder size should be 12" Diameter x 18" tall. Overfill Protection Device (OPD) safety feature must be noted on the cylinder and must have a collar to protect the LP cylinder valve.
  - 4) Cylinder must be constructed and marked in accordance with the U.S. Department of Transportation (DOT) or the National Standard of Canada, CAN\CSA-B339. (See LP cylinder marking)
  - 5) Cylinder must have a cylinder cap to protect LP cylinder valve when not in use.

## ⚠ WARNING!

Use only 1 lb. propane cylinders or 20 lb. propane cylinders with proper adaptor hose as specified above. Use of other gas cylinders could cause gas leak or fire.

- Read manufacturer's instructions and warnings on LP cylinder.
- Never use an LP gas cylinder if it shows signs of: dents, gouges, bulges, fire damage, corrosion, leakage, excessive rust or other forms of visual external damage; it may be hazardous and should be checked by a liquid propane supplier.
- Keep children away from LP gas cylinder at all times.
- Do not use, store, or transport the LP gas cylinder where it would be exposed to heat, sparks or flame. The relief valve may open which will allow a large amount of flammable gas to escape. Never leave an LP gas cylinder inside a vehicle which may become overheated by the sun.
- **WARNING! Never store an LP cylinder indoors.** Storage of an outdoor cooking gas appliance indoors is permissible only if the cylinder is disconnected and removed from the outdoor cooking gas appliance. LP Cylinders must be stored outdoors out of the reach of children and must not be stored in a building, garage, or any other enclosed area.
- **WARNING! Never store a spare LP gas cylinder near the grill.** All spare and disconnected LP gas cylinders must have safety caps installed.
- LP gas is not natural gas. The conversion or attempted use of natural gas in an LP unit or LP gas in a natural gas unit is dangerous and will void your warranty.
- **WARNING! Never attempt to repair or refill a 1 lb LP gas cylinder valve.** Repairing or refilling could cause a hazard or explosion. Replace gas cylinder with a spare.
- Using a repaired or refilled 1lb. LP Gas Cylinder will void the warranty.
- When transporting an LP gas cylinder, keep it secured in an upright position with the protective cap on.

## Connecting/ Disconnecting LP Gas Cylinder to Grill

### ⚠ WARNING!

- Always check for gas leaks when you disconnect and reconnect the regulator to the LP gas cylinder, especially after a period of storage (for example, over winter).
- Check tubes leading into the burner for blockage from insects, spiders, or food grease before using.
- Check Regulator Hose or other supply hoses for cracking, brittleness, holes, or leaks. Make sure there are no sharp bends in the hose.
- Make sure Regulator Hose does not contact hot metal surfaces.

## REGULATOR ASSEMBLY

### ⚠ WARNING!

- Using a hose and regulator assembly that has not been supplied by the manufacturer of this LP gas grill, could result in serious bodily injury or property loss.
- Use only the hose and regulator assembly that has been furnished with this LP gas grill. If the hose and regulator assembly is not working properly and you need a replacement, contact the manufacturer (1-800-251-7558).
- Inspect the hose before each use. If the hose is cut or damaged or shows signs of excessive abrasion or wear, do not use the LP gas grill. Contact the manufacturer, as the hose must be replaced with an assembly specified by the manufacturer prior to the further use of the LP gas grill.

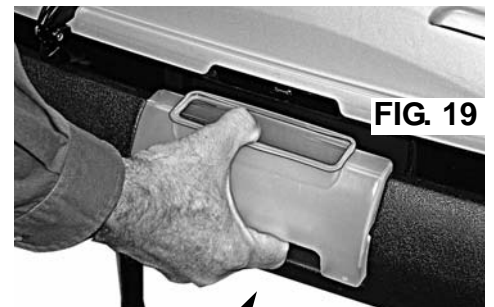
## Preparation Before Cooking

- Wash the Cooking Surfaces with a mixture of hot water and dish detergent. Do not use an abrasive scrubber. This product is non-stick coated and harsh cleansers will ruin the finish. **Be sure to re-install the Ribbed Cooking Surface with the grease drain toward the rear over the grease cup.**
- Empty the Grease Cup after each cooking session so excessive grease does not accumulate. **Do not jerk the grease cup out with grease in it. (See FIG. 19)** Wash Grease Cup same as Cooking Surfaces.
- Make sure Grease Cup is in place before each grilling session. (FIG. 19)

### ⚠ WARNING!

- Empty the Grease Cup after each cooking session so excessive grease does not accumulate. Failure to remove grease may result in a grease fire in the Cup or Bowl.
- Allow grill and grease in Grease cup to cool before emptying Grease Cup.
- Never light the LP gas grill without the Grease Cup in place.

Use Clean and Empty Grease Cup before each grill session.



Install and remove with steady pressure to snap into grill body. To avoid spillage, do not jerk grease cup with grease in the cup.



## Lighting the Grill Using the Igniter

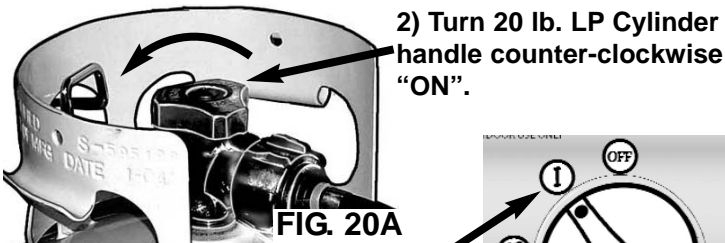
### ⚠ WARNING!

- Open Hood before lighting the grill to prevent an explosion from gas build-up.
- Always inspect the gas hose and regulator assembly before each use. If the hose is cut, damaged, or shows signs of excessive abrasion or wear, do not use the LP gas grill. Contact the manufacturer, as the hose and regulator assembly must be replaced with an assembly specified by the manufacturer prior to further use of the LP gas grill.

#### How to light your LP gas grill using the ignitor

- 1) Open the Hood. Make sure LP Cylinder is connected and Control Knobs are "Off".
- 2) If using a 20 lb. LP Cylinder instead of 1 lb LP Cylinder, open the LP gas cylinder valve by turning the valve handle counter-clockwise until it stops. **(FIG. 20A)**
- 3) From the "OFF" position, push in and turn the Control Knob counterclockwise to "I" when you feel resistance. **(FIG. 20B)**
- 4) Pause 4 seconds, then push in and turn the Control Knob until a click is heard and the burner is lit. Check through the grill body opening and the Cooking Surface to see if burner is lit. **(FIG. 20C)**
- 5) Repeat Step 3 until burner is lit.
- 6) If burner does not light or ignitor does not work, turn Control Knob to "OFF". Close the valve on the 20 lb. LP gas cylinder. Remove the Cooking Surfaces to dissipate the gas. Wait five minutes, then repeat Steps 2 thru 4.
- 7) If burner still fails to light, repeat step 5, wait five minutes and refer to the [Troubleshooting](#) page. If it fails to light, the burner can be lit manually, see [Manual Lighting of the Grill](#).
- 8) After ignition, preheat the Grill and Cooling Surface by turning the Control Knob to "High" for about 8 minutes.

**⚠ WARNING: If the burner goes out while cooking, turn the Control Knob to the "OFF" position. Wait five minutes before attempting to relight the grill.**



2) Turn 20 lb. LP Cylinder handle counter-clockwise "ON".

3) Push in Control Knob; turn counterclockwise to the "I" position until you feel resistance.

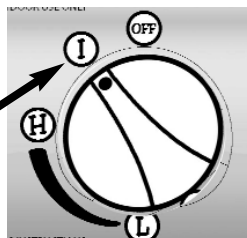


FIG. 20B



FIG. 20C

4) Check through the opening between grill body and the Cooking Surface to see if burner is lit.

## Manual Lighting of the Grill

### ⚠ WARNING!

- Open Hood before lighting the grill to prevent an explosion from gas build-up.
- Always inspect the gas hose and regulator assembly before each use. If the hose is cut, damaged, or shows signs of excessive abrasion or wear, do not use the LP gas grill. Contact the manufacturer, as the hose and regulator assembly must be replaced with an assembly specified by the manufacturer prior to further use of the LP gas

#### How to manually light your LP gas grill

- 1) Open the Hood. Make sure LP Cylinder is connected and Control Knobs are "Off".
  - 2) If using a 20 lb. LP Cylinder instead of 1 lb LP Cylinder, open the LP Cylinder valve by turning the valve handle counter-clockwise until it stops. **(SEE FIG. 20A)**
  - 3) From the "OFF" position, push in and turn the Control Knob counterclockwise to "H". **(FIG. 21A)**
  - 4) Match light the burner with the supplied match holder and a match near the burner. **(FIG. 21B & Fig. 21C)**
- ⚠ WARNING: Keep your face away from the opening.**
- 5) If burner does not light, turn Control Knob to "OFF". Close the valve on the 20 lb. LP gas cylinder. Remove the Cooking Surfaces to dissipate the gas. Wait five minutes then repeat Steps 2 and 3.
  - 6) If burner still fails to light, wait five minutes and refer to the [Troubleshooting](#) page.
  - 7) After ignition, preheat the Grill and Cooking Surface by turning the Control Knob to "High" for about 8 minutes.

**⚠ WARNING: If the burner goes out while cooking, turn the Control Knob to the "OFF" position. Wait five minutes before attempting to relight the grill.**

1) Turn 20 lb. LP Cylinder handle counter-clockwise "ON". (See FIG. 20A)

2) Push in Control Knob; turn counterclockwise to the "H" position.

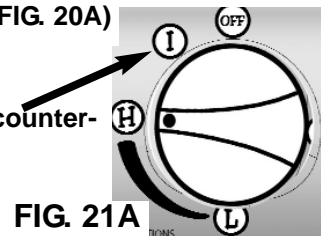


FIG. 21A

3) Match light the burner through the opening between Grill Body and the Cooking Surface.



FIG. 21B

Manual Lighting proximity with Cooking Surfaces removed.

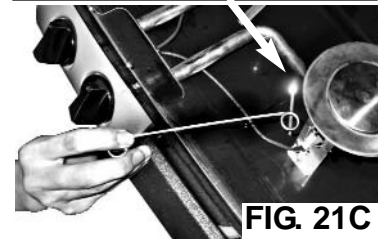


FIG. 21C

## Grill Cooking

1) Place the Ribbed Cooking Surface in the Grill to the left with grease drain over the grease cup. Place the Smooth Cooking surface to the right and hook it over the Ribbed Surface. (FIG. 22A)

2) If you wish to use pans or cookware, simply remove the Smooth Cooking Surface and place the Stove Grate over the Round Burner. (FIG. 22B) Be sure and do this before you heat the rest of the grill.

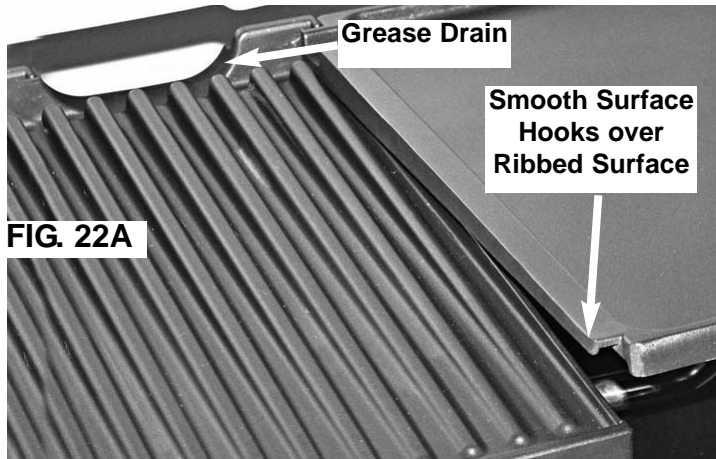


FIG. 22A

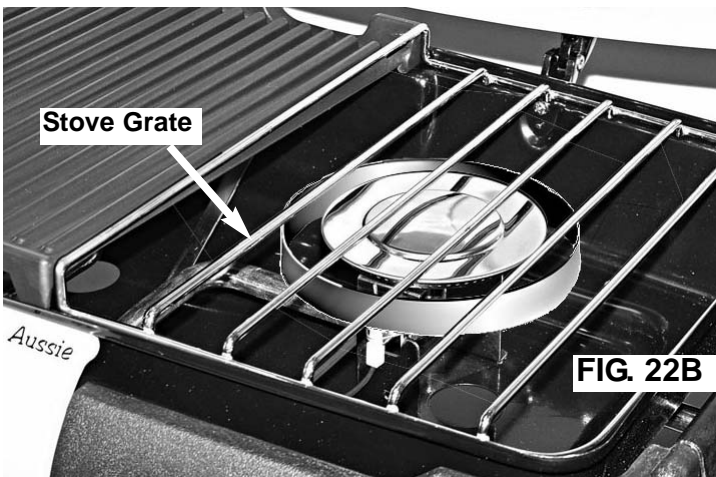
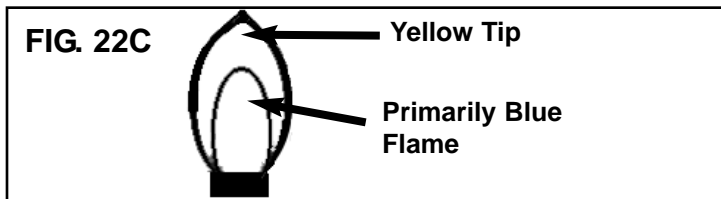


FIG. 22B

3) Light the Burner, turn the Control Knob from "High" to "Low" while checking through the opening between the Grill Body and the Cooking Surface to see if it is lit.

4) Check Your Flame. Your burner has been preset by the manufacturer for optimal flame performance. A blue flame, possibly with a small yellow tip, is the result of the optimal air and LP gas mixture. (FIG. 22C)



The flame should be checked before the each cooking session and periodically throughout the grilling season, especially after storing the grill over a long period of time. If the flame is significantly yellow in color, then you are not getting the appropriate amount of LP gas in the air /LP gas mixture.

This could be a result of a blocked burner from grease drippings or from insects building a nest inside the burner or burner opening. You should follow the Burner Maintenance section of this manual for cleaning the burners.

5) **To preheat:** With the Grill Hood closed, preheat on high for about 8 minutes. During the first use, you may notice a slight odor caused by the curing oil on paint or parts. **Do not pre-heat over 10 min or the cooking surface coatings may be destroyed.**

6) After 8 minutes of preheating, carefully place food on the Cooking Surface. Cook until done, turning food at least once halfway through the cooking time for most foods. Adjust flame as needed with the Control Knobs.

7) When food is cooked, remove food with long-handled heat resistant, plastic or wooden utensils so as not to scratch the non-stick surface. Never use metal tongs, forks or knives as these can damage the coating of the Cooking Surfaces. **Caution: Do not leave any utensils on the Cooking Surface while it is hot.**

## ⚠ WARNING!

- Never leave your LP gas grill unattended during use or cleaning.

## End of Cooking Session

## ⚠ WARNING!

- Always turn "OFF" the Control Knobs when not in use. Allow the grill to cool before handling parts or cleaning.
- Do not move an LP gas grill when in use or hot.
- Never touch hot surfaces. Use heat resistant gloves, long-handled tongs, or cooking mitts at all times since grill will become very hot.

## Turning Off Your LP Gas Grill

After each cooking:

- 1) Turn the Control Knobs clockwise to the "OFF" position.
- 2) Turn off the LP cylinder valve clockwise on a 20 lb. cylinder.
- 3) Wait until the grill is cool before cleaning the grill or closing the Hood.
- 3) After the grill is cool, disconnect the 1lb LP cylinder or the 20 lb. cylinder hose from the Regulator. Replace the protective cap and store LP cylinder in a safe place. (page 12)
- 4) Empty Grease cup, clean grill and store safely until next cooking session. (pages 12-13)

**⚠ WARNING! Never store an LP gas cylinder indoors (empty or filled). If storing the gas grill indoors, disconnect LP gas cylinder and store it outdoors out of the reach of children.**

## CARE AND MAINTENANCE

### Burner Maintenance

# ⚠ WARNING!

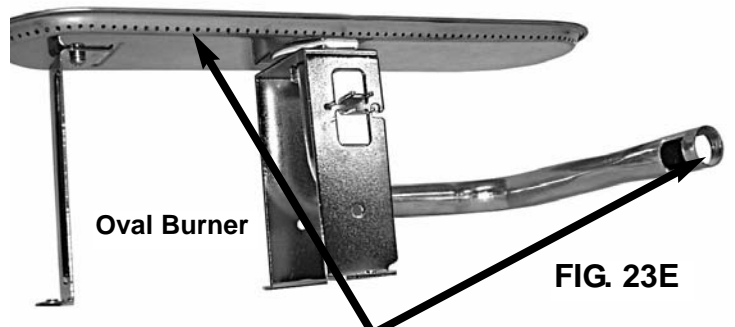
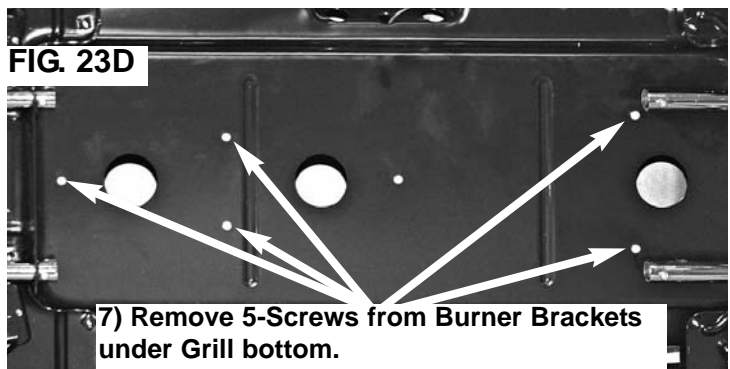
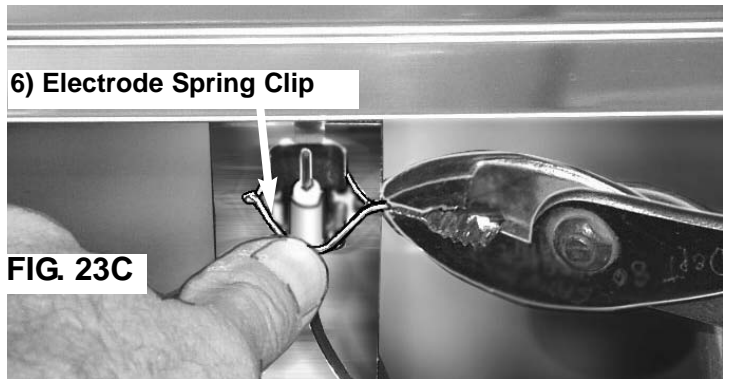
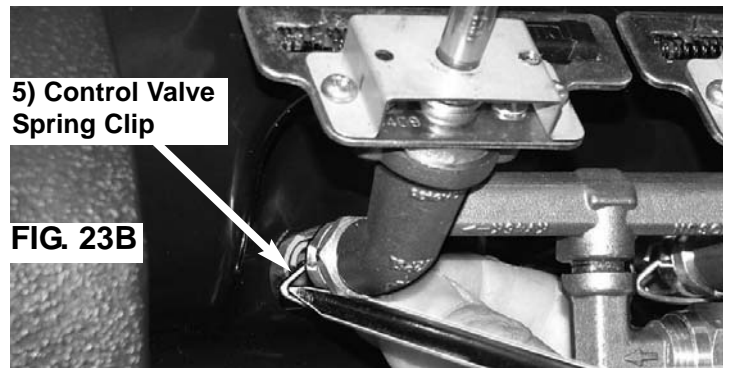
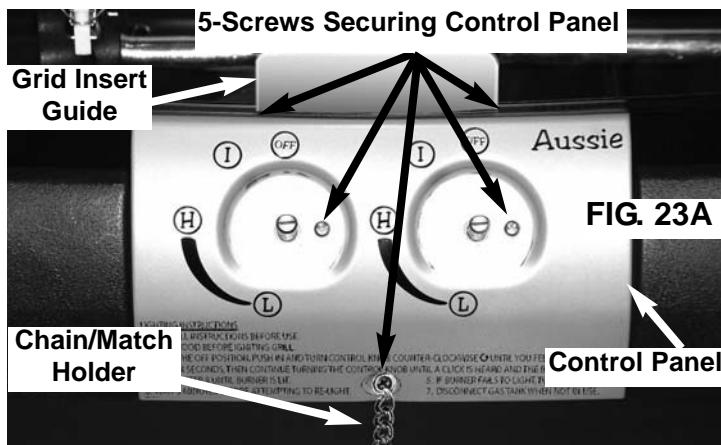
- Check the LP gas grill for gas leaks and Burner obstructions before each use.
- Always turn off the Control Knobs when not in use. Allow grill to cool before handling parts or cleaning.

Burners should be removed and cleaned annually, or whenever heavy build-up is found, to ensure that there are no signs of blockage (debris, insects) in either the burner portholes, the primary air inlet, or the neck of the burners. (See Burner cleaning instructions next page.)

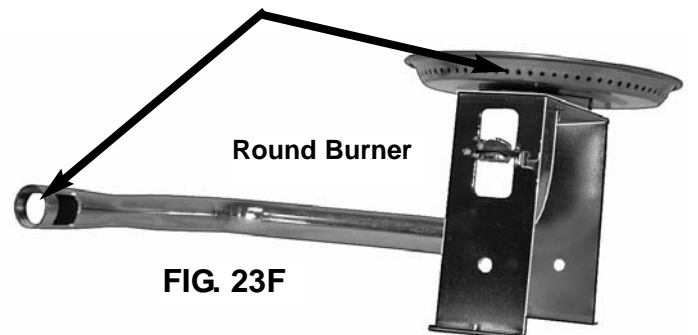
**CAUTION: SOME OF THE METAL EDGES MAY BE SHARP. BE CAREFUL IN HANDLING.**

#### How to Clean the Burners

- 1) Make sure the Grill Control Knobs are turned to the "OFF" position, and the grill has completely cooled.
- 2) Disconnect the LP cylinder.
- 3) Remove Grease Cup, Cooking Surfaces and Leg Shelf.
- 4) Pull the Control Knobs off the valve stems. Remove: 5-screws, Grid Insert Guide, Control Panel and the Chain/Match Holder. (FIG. 23A)
- 5) Remove 2-Control Valve Spring Clips with screwdriver. (FIG. 23B)
- 6) Remove Ignitor Wire Spring Clip by holding end of clip with pliers and pushing down away from the notch in burner bracket. (FIG. 23C) Hold spring with fingers so clip does not flip away.
- 7) Lay grill on the back side. Remove 5-screws holding the Burner Brackets to underside of Bowl. (FIG. 23D)
- 8) Remove both Burner Assemblies from the grill.
- 9) Use a pipe cleaner to clear obstructions from the Burner holes and inlet hole. (FIG. 23E & FIG. 23F) Verify that there are no insects or insect nests blocking the inlet hole. Normal wear and corrosion may enlarge some holes, however, if large cracks or holes are found the Burners should be replaced.
- 10) After cleaning, re-assemble Burner Assemblies and other parts in reverse order of previous Steps 2-9 disassembly. Note: When refitting the Burners, be sure the tubes are positioned correctly with the valves.
- 11) Check burner operation after reassembly or cleaning.



9) Use a pipe cleaner to clear obstructions from all burner holes and the Inlet hole. A brass wire brush can be used on the burner surfaces to remove corrosion.



## Cleaning the Grill

**CAUTION: SOME OF THE METAL EDGES MAY BE SHARP. BE CAREFUL IN HANDLING.**

Regularly clean your LP gas grill between use and after extended storage. To prolong the life and condition of your grill, the portable unit should be covered if stored outside for any length of time, especially during the winter months.

- Do not clean any grill part in a self-cleaning oven. The extreme heat will damage the finish.
- Do not put parts in dishwasher.
- Do not immerse the Burner in water. Make sure any water is removed from the Burner.
- Never use oven cleaner, steel wool or other abrasive cleaning product on the painted parts or the Cooking Surfaces. These will cause damage to the finish or parts.

### How to Clean the Grill

- 1) After grill has cooled, empty and clean the Grease Cup. Wipe the Cooking Surface with a paper towel or sponge. After completely cooled, the Cooking Surface can be washed with warm, soapy water.
- 2) Remove excess grease and/or fat from the grill Bowl with a soft plastic or wooden scraper. Rinse and dry thoroughly. If necessary, use a nylon bristle brush to loosen hardened food particles.
- 3) Wash exterior parts with a soft sponge and warm soapy water. Non-abrasive cleansers may be used.
- 4) Use a damp cloth to clean inside the Grill Hood and Bowl.
- 5) Snap the Grease Cup back into the rear Body.

## Grease Cup

### ⚠ WARNING!

- Always turn the Control Knobs "OFF" when not in use. Allow grill to cool before handling parts or cleaning.
- Empty the Grease Cup after each cooking session so excessive grease does not accumulate. Failure to remove grease may result in a grease fire in the Grease Cup.
- Never light the LP gas grill without the Grease Cup in place.

- Before each use, remove all grease from Grease Cup.
- Make sure Grease Cup is in place before each grilling session.
- Failure to remove grease from the Grease Cup may cause a fire hazard.

## LP Cylinder Storage

### ⚠ WARNING!

- Never store an LP gas cylinder indoors even if empty. If storing the gas grill indoors, disconnect the LP gas cylinder and store it outdoors out of the reach of children.
  - Never leave an LP gas cylinder inside a vehicle which may become overheated by the sun.
  - Never store a spare or disconnected LP gas cylinder under or near the LP gas grill.
  - Always turn off the Control Knobs when not in use. Allow grill to cool before transporting.
  - Even though your LP gas cylinder may appear to be empty, gas may still be present and the LP cylinder should be transported and stored accordingly.
- Store your LP gas grill in a cool dry place .
  - Disconnect LP gas cylinder from grill and store outside, in a dry, well-ventilated area, away from any sources of heat or ignition. Re-cap LP cylinder valve with the Safety Cap.
  - Wrap aluminum foil around the Burners to prevent insects from entering the burner holes.
  - Before next use, remove aluminum foil from Burners.
  - Check your LP gas grill for gas leaks, deterioration, proper assembly, and burner obstructions before using the grill after periods of storage and/or non-use (i.e. over winter).

## Precautions

### ⚠ WARNING!

- Carefully read the Important Safeguards section at the beginning of this manual. Make sure you understand and follow all instructions and warnings. If you have any questions regarding this section, call 1-800-251-7558 and ask for a Customer Service Representative.
- Always turn the Control Knobs to the "OFF" position when not in use.
- Allow grill to cool before handling parts or cleaning.
- Do not use aerosols or store flammable liquids or materials near this gas grill.

## Preventive Maintenance

Periodically check and tighten all nuts, bolts, and screws. Make sure the Grill operates mechanically and is cleaned after each use.

## GRILL MOVING AND STORAGE

### **⚠ WARNING!**

- Do not store the Grill unless it has cooled down and has been cleaned.
- Always Lock the Grill Hood with the Strap Lock before moving and storing this Grill.
- To avoid possible injury, be careful when rolling your grill so it does not roll up against you.

Your Gas Grill comes with convenient wheels and a slide out handle for roll-away transport. When the Grill has completely cooled, and the Grill and all the parts are clean:

- Disconnect the LP cylinder from the regulator.
- Fold and strap the Grill side tables over the closed Hood.
- Slide the Left Handle Bar back under the grill.
- Remove the leg shelf. Release the locking springs and lower the left end of the Leg Shelf. Lift the other end off the mounting Hooks on the right legs.
- Swing the Gas Regulator up into its storage position behind the front panel of the Grill and clip it into place. **(FIG. 24)**
- Fold Legs to locked position under Grill.

- Store Leg Shelf back in the bottom of the grill and snap into place.
- Grasp the Right side Handle Bar; lift Grill on wheels and roll the grill away to storage area. **(FIG. 25) DO NOT ATTEMPT TO CARRY THE GRILL BY GRASPING THE HOOD HANDLE**

Store Gas Regulator & Hose

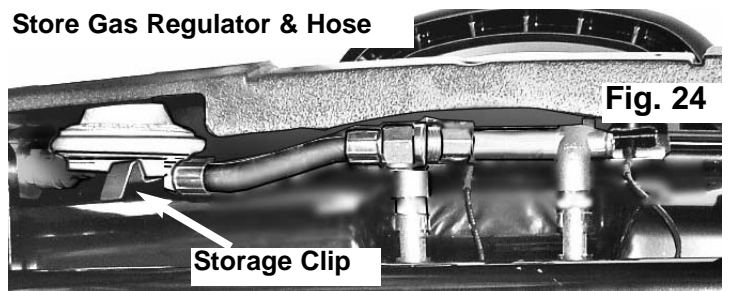


Fig. 24

Use Slide Handle Bar for Towing

Tow-away on Wheels For Convenient Storage

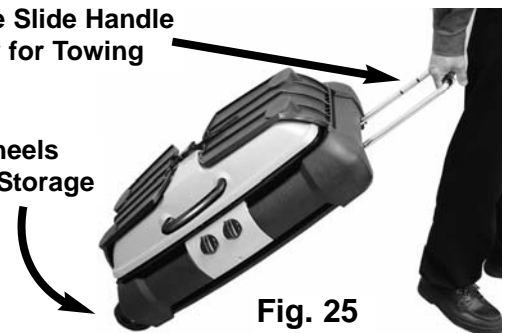


Fig. 25

## TROUBLESHOOTING

<b>Problem</b>	<b>Possible Cause</b>	<b>Solution</b>
<b>Burner will not light using the ignitor</b>	Not pausing long enough before clicking the Igniter	When lighting the Burner, push in and turn the Control Knob counterclockwise to "I" when you feel resistance. Pause 4 seconds, then push in and turn the Control Knob until a click is heard.
	No spark	The spacing between electrode and Burner ports should be approximately 3/16". Make sure wire connections are secure and burner is attached securely to brackets.
	LP gas cylinder is empty	Dispose of empty cylinder and replace with a full one.
	Excess flow valve tripped in Regulator	Turn Control Knob to "OFF" position. Wait five minutes. Relight LP gas grill. If flame remains to be low, turn off gas. Disconnect the Lp gas cylinder from the Regulator. Reconnect the LP gas cylinder to the Regulator. Perform a leak test. Relight grill. This will reset the excess flow valve.
	Obstructions in burner	Clean burner (See Burner Maintenance in Care and Maintenance section of this manual)
	Electrode and burner are wet	Dry electrode with clean cloth
	Wire is loose or disconnect-	Reconnect the wire
	Wire is shorting (sparking between ignitor wire and electrode)	Replace ignitor wire/electrode assembly (Call the Customer Service Department @ 1-800-251-7558)
Burner not assembled correctly	See <u>Assembly Instructions</u> for installing the Burner.	

# TROUBLESHOOTING

<u>Problem</u>	<u>Possible Cause</u>	<u>Solution</u>
<b>Burner will not light using a match</b>	LP gas cylinder is empty	Dispose of empty cylinder and replace with a full one.
	Excess flow valve tripped in Regulator	Turn Control Knob to "OFF" position. Wait five minutes. Relight LP gas grill. If flame remains to be low, turn off gas. Disconnect the Lp gas cylinder from the Regulator. Reconnect the LP gas cylinder to the Regulator. Perform a leak test. Relight grill. This will reset the excess flow valve.
	Obstructions in burner	Clean burner (See <u>Burner Maintenance</u> in <u>Care and Maintenance</u> section of this manual)
<b>Flames blow out</b>	High or gusting winds	Turn front of grill away from wind or increase flame height.
	Gas in LP cylinder is low	Check LP gas cylinder. Replace if necessary.
<b>Flare up</b>	Grease build up	Clean grill
	Excessive fat in meat	Trim fat from meat before grilling
<b>Persistent grease fire</b>	Grease trapped in Bowl and around burner system	Turn Control Knobs "OFF". Let fire burn out and remove Cooking Surfaces. After the grill cools, clean all parts.
<b>Humming or whistling from the regulator</b>	Outside temperature, humidity, barometric pressure, and the gas level within the tank may cause the rubber diaphragm inside the regulator to vibrate, making a humming or whistling sound.	Although this sound may be alarming, this is NOT dangerous as long as it is not accompanied by the smell of gas. Simply adjust the burner settings and usually the sound will subside. If the humming sound persists, a change in atmospheric conditions will eventually stop the vibration. Should you smell gas, do not use the grill and call Customer Service at 1-800-251-7558
<b>Low flame or low heat</b>	Gas in LP cylinder is low	Check LP gas cylinder. Replace if necessary.

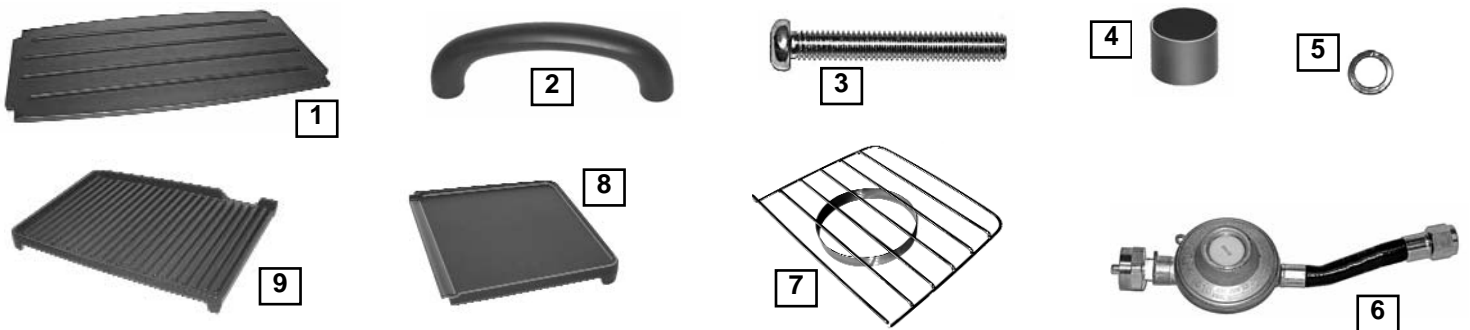
**If your problem is not resolved from the information provided above, please call Customer Service at 1-800-251-7558.**

## REPLACEMENT PARTS

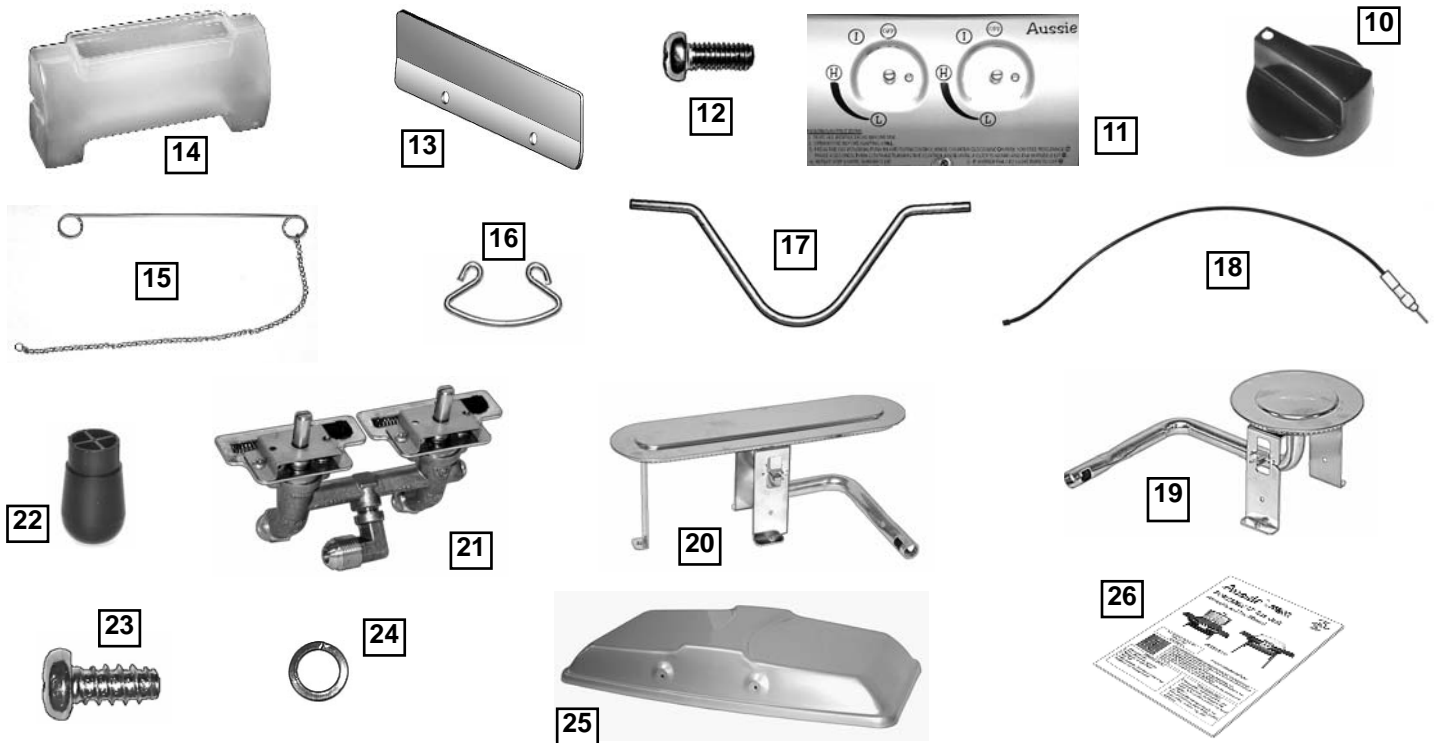
If you need replacement parts, refer to the Parts Diagram and the Parts List to find the exact parts you need.

If you have any questions which require help, contact Customer Service and be sure to mention the model number of your grill.

### Parts Diagrams



# REPLACEMENT PARTS



PARTS LIST			
ITEM	DESCRIPTION	PART #	QTY.
1	Leg Shelf	03.6360.00	1
2	Handle	03.6361.00	1
3	6mm x 1 1/8" Threaded Screw	03.6362.00	2
4	Handle Spacer	03.6363.00	2
5	# 6 Lockwasher	03.6338.00	11
6	Regulator Hose Assy	03.6364.00	1
7	Stove Grate	03.6365.00	1
8	Smooth Cooking Surface	03.6366.00	1
9	Ribbed Cooking Surface	03.6367.00	1
10	Control Knob	03.6368.00	2
11	Control Panel	03.6369.00	1
12	6mm x 3/8" Threaded Screw	03.6343.00	10
13	Grid Insert Guide	03.6370.00	1
14	Grease Cup	03.6371.00	1
15	Chain/Match Holder	03.6357.00	1
16	Control Valve Spring Clip	03.6372.00	2
17	Electrode Spring Clip	03.6349.00	2
18	Wire Electrode	03.6344.00	2
19	Round Burner Assembly (Right Side)	03.6373.00	1
20	Oval Burner Assembly (Left Side)	03.6374.00	1
21	Starter/Manifold Assembly	03.6375.00	1
22	Leg Cap	03.6376.00	4
23	# 10 x 3/8" Self-tapping Screw (Hood/Hinge Attachment)	03.6377.00	2
24	# 10 Lockwasher (Hood/Hinge Attachment)	03.6378.00	2
25	Hood	03.6379.00	1
26	Owners Manual	03.6380.00	1

MECO CORPORATION  
LIMITED WARRANTY

This product is warranted to the original consumer purchaser against defects in material and workmanship under normal outdoor household use and correct assembly (if assembled by the consumer-purchaser). The Grill and its components are warranted for a period of one (1) year from the date of purchase. Mecco Corporation DOES NOT warrant in any way the propane cylinder (see label on cylinder for cylinder manufacturer's warranty.) The LP cylinder manufacturer is responsible for the materials, workmanship and performance of the cylinder. If the cylinder has a defect, malfunctions, or you have a question regarding the cylinder, call the cylinder manufacturer's customer service center. The phone number is on the cylinder. If the cylinder manufacturer has not resolved the issue to your satisfaction, then call Mecco Corporation at the customer service number listed below.

Mecco Corporation may require reasonable proof of purchase and we suggest you keep your receipt. Damages caused by commercial or institutional use, accidental or intentional damage, repairs made or attempted by unauthorized persons, or misuse are not covered by this warranty. If defective, the part or product will be repaired or replaced at the option of Mecco Corporation without charge.

This warranty does not include the cost of any inconvenience or property damage due to failure of the product and does not cover damage due to misuse, abuse, accident, damage arising out of transportation of the product, damage incurred through commercial use, or failure to perform normal and routine maintenance. LIABILITY FOR CONSEQUENTIAL PROPERTY OR COMMERCIAL DAMAGES ARE EXPRESSLY EXCLUDED BY THIS WARRANTY. ANY APPLICABLE IMPLIED WARRANTIES OF MERCHANTABILITY AND FITNESS ARE LIMITED IN DURATION TO THE PERIOD COVERAGE OF THIS EXPRESS WRITTEN LIMITED WARRANTY. Some states do not allow limitation on how long an implied warranty lasts, so this limitation may not apply to you.

Deterioration or damage due to severe weather conditions such as hail, hurricanes, earthquakes or tornados, discoloration due to exposure to chemicals either directly or in the atmosphere, is not covered by this limited warranty.

No returns will be accepted without prior authorization from Mecco Corporation. Authorization for return may be obtained by calling 1-800-251-7558. Handling and transportation costs for returning the product are not covered by this warranty and will be paid for by the purchaser. Please send your correspondence to:

Mecco Corporation  
1500 Industrial Road  
Greeneville, TN 37745

For reference and correspondence,  
record your Serial number here.  
(See nameplate on side of grill.)

Serial No. \_\_\_\_\_  
Please use this number in registering  
your warranty and any correspondence  
with Mecco Corporation.

**P/N 03.6380.00**  
**REL. 9/2004**