

Technical data sheet for

# GAS CHARGRILL

## 300mm, 600mm, 900mm, 1200mm

CH8300G-B, CH8600G-LS, CH8900G-LS, CH8120G-LS



CH8120G-LS

- Heavy-duty construction
- Reversible heavy-duty top grates
- Interchangeable drop on griddle plates
- 33MJ/hr stainless steel burners per 300mm section
- Stainless steel exterior
- Easy clean
- Easy service
- Fully modular

### Overall Construction

#### CHARGRILL

- 2.5mm thick 304 stainless steel side splash guards
- Welded 1.5mm 304 stainless steel bull nose
- Welded splashback and side panels 1.2mm 304 stainless steel
- Front panels 0.9mm 304 stainless steel
- Front grease channel
- Welded 1.2mm 304 stainless steel grease trays
- 1.5mm aluminised steel burner box
- Insulated sides

#### LEG STAND

- Fully modular for matched suite finish
- Framed top for connection to Chargrill
- 63mm dia. heavy-duty 1.2mm 304 stainless steel legs with adjustable feet
- Fully modular framed stand shelf with 0.9mm 304 stainless steel finish
- Quick assembly design

#### GRATES AND RADIANTS AND BAFFLES

- 150mm wide x 550mm top grate sections
- Top grates reversible for level or inclined use
- Inclined position incorporates flare reducing grate fin design with grooves to run grease into front collection channel
- Heavy weight castings for high demand performance
- Heavy-duty high efficiency cast iron burner radiants improves heat retention and protects burners
- Baffles over grease trays to reduce grease collection flare ups

#### GRIDDLE PLATES

- Optional extra 300mm wide and 450mm wide x 550mm deep drop on cast iron griddle sections
- Machined smooth surface finish
- Interchangeable in any position with 2 or 3 sections of top grate
- Multiple griddle sections can be mixed in any position

#### BURNERS

- Full 304 stainless steel burners
- 1 x 33MJ/hr burner per 300mm section
- Removable for cleaning
- Full pilot and flame failure protection per burner

#### Controls

- Individual Hi-Lo gas control to each burner with flame failure and pilot
- Large easy use control knob - heat resistant reinforced
- Easy view control settings on knob
- Piezo ignition to pilot burner

#### Cleaning and Servicing

- Easy clean stainless steel external finish
- Lift out radiants, burners and grease tray baffles
- All burner box interior parts lift out for full cleaning access
- Deep stainless steel grease collection trays
- Access to all parts from front of unit

# Technical data sheet for GAS CHARGRILL 300mm, 600mm, 900mm, 1200mm

## Specifications

### Burner

33MJ/hr 304 stainless steel U-burner per 300mm section

### Gas power

CH8300G-B	33MJ/hr, 9.8kW
CH8600G-LS	66MJ/hr, 18.6kW
CH8900G-LS	100MJ/hr, 29.3kW
CH8120G-LS	133MJ/hr, 39.1kW

### Cooking surface area

CH8300G-B	292mm x 500mm, 1460cm <sup>2</sup>
CH8600G-LS	592mm x 500mm, 2960cm <sup>2</sup>
CH8900G-LS	892mm x 500mm, 4460cm <sup>2</sup>
CH8120G-LS	1192mm x 500mm, 5960cm <sup>2</sup>

### Gas connection

R 3/4 (BSP) male

All units supplied with Natural and LP gas regulator

### DIMENSIONS

#### Width

300mm CH8300G-B

Depth 805mm

Height 315mm

Incl. splashback 530mm

#### Width

600mm CH8600G-LS

900mm CH8900G-LS

1200mm CH8120G-LS

Depth 805mm

Height 915mm

Incl. splashback 1130mm

### NETT WEIGHT

300mm	63kg
600mm	128kg
900mm	178kg
1200mm	227kg

### PACKING DATA

#### 300mm

0.20m<sup>3</sup>, 86kg

Width 865mm

Depth 345mm

Height 665mm

#### 600mm

0.48m<sup>3</sup>, 171kg

Width 645mm

Depth 870mm

Height 855mm

#### 900mm

0.70m<sup>3</sup>, 232kg

Width 945mm

Depth 870mm

Height 855mm

#### 1200mm

0.93m<sup>3</sup>, 295kg

Width 1245mm

Depth 870mm

Height 855mm

### GAS TYPES

Available in Natural gas and LP gas, please specify when ordering

Units supplied complete with gas type conversion kits

Other gas types on request

### OPTIONS AT EXTRA COST

Griddle plates 300mm drop on

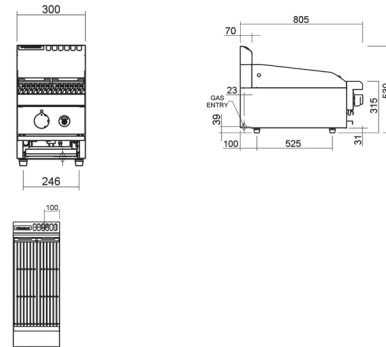
Griddle plates 450mm drop on

Joining caps

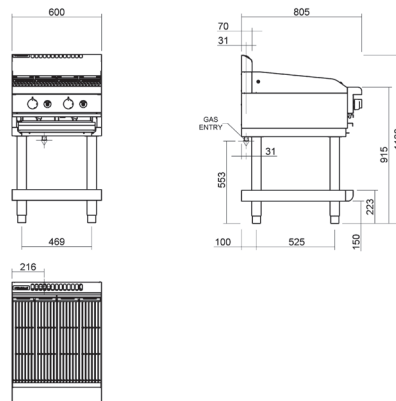
Castors

Plinth mounting

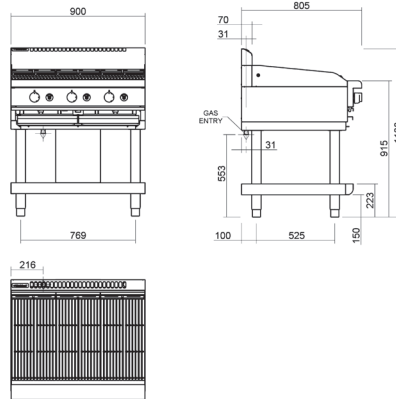
### CH8300G-LS



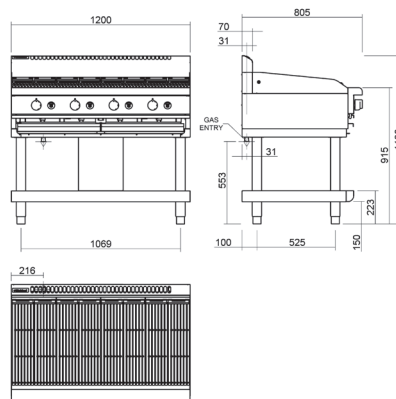
### CH8600G-LS



### CH8900G-LS



### CH8120G-LS



**Waldorf**  
800 SERIES

**MOFFAT**

Australia  
www.moffat.com.au  
New Zealand  
www.moffat.co.nz

Australia  
Moffat Pty Limited

Victoria/Tasmania  
740 Springvale Road  
Mulgrave, Victoria 3170  
Telephone 03-9518 3888  
Facsimile 03-9518 3833  
vsales@moffat.com.au

New South Wales  
Telephone 02-8833 4111  
nswsales@moffat.com.au

South Australia  
Telephone 03-9518 3888  
vsales@moffat.com.au

Queensland  
Telephone 07-3630 8600  
qldsales@moffat.com.au

Western Australia  
Telephone 08-9202 6820  
bgarcia@moffat.com.au

New Zealand  
Moffat Limited

Christchurch  
Telephone 03-389 1007  
sales@moffat.co.nz

Auckland  
Telephone 09-574 3150  
sales@moffat.co.nz



ISO9001  
Quality  
Management  
Standard

Designed and manufactured by

**MOFFAT**

ISO9001  
All Waldorf products are designed and manufactured by Moffat using the internationally recognised ISO9001 quality management system, covering design, manufacture and final inspection, ensuring consistent high quality at all times.



Australian  
Gas Association  
Approved

In line with policy to continually develop and improve its products, Moffat Limited reserves the right to change specifications and design without notice.

Printed in China  
© Copyright Moffat Limited  
Moffat/4854/BH/1M/12.06

