

# GEORGE FOREMAN®

THE LEAN MEAN FAT REDUCING GRILLING MACHINE®

Please Read and Save this Use and Care Book

Por favor lea este instructivo antes de usar el producto



For online customer service  
and to register your product, go to  
[www.prodprotect.com/applica](http://www.prodprotect.com/applica)  
Also view the details for our  
latest sweepstakes!

## Customer Care Line:

USA/Canada  
1-800-231-9786

Accessories/Parts (USA / Canada)  
Accesorios/Partes (EE.UU / Canadá)

1-800-738-0245



## Models Modelos

- GRP4EMB
- GRP4EW
- GRP5E
- GRP6E

# IMPORTANT SAFEGUARDS

When using electrical appliances, basic safety precautions should always be followed, including the following:

- Read all instructions.
- Do not touch hot surfaces. Use handles or knobs.
- To protect against electrical shock do not immerse cord, plugs or appliance in water or other liquid.
- Close supervision is necessary when any appliance is used by or near children.
- Unplug from outlet when not in use and before cleaning. Allow to cool before putting on or taking off parts.
- Do not operate any appliance with a damaged cord or plug, or after the appliance malfunctions or has been damaged in any manner. Return appliance to the nearest authorized service facility for examination, repair or adjustment. Or, call the appropriate toll-free number on the cover of this manual.
- The use of accessory attachments not recommended by the appliance manufacturer may cause injuries.
- Do not use outdoors.
- Do not let cord hang over edge of table or counter, or touch hot surfaces.
- Do not place on or near a hot gas or electric burner, or in a heated oven.
- Extreme caution must be used when moving an appliance containing hot oil or other hot liquids.
- To disconnect, turn any control to OFF, then remove plug from wall outlet.
- Do not use this appliance for other than intended use.
- Be sure that removable plates are assembled and fastened properly.
- The appliance is only to be operated in the closed position.

## SAVE THESE INSTRUCTIONS.

**This product is for household use only.**

### POLARIZED PLUG (120V Models Only)

This appliance has a polarized plug (one blade is wider than the other). To reduce the risk of electric shock, this plug is intended to fit into a polarized outlet only one way. If the plug does not fit fully into the outlet, reverse the plug. If it still does not fit, contact a qualified electrician. Do not attempt to modify the plug in any way.

### TAMPER-RESISTANT SCREW

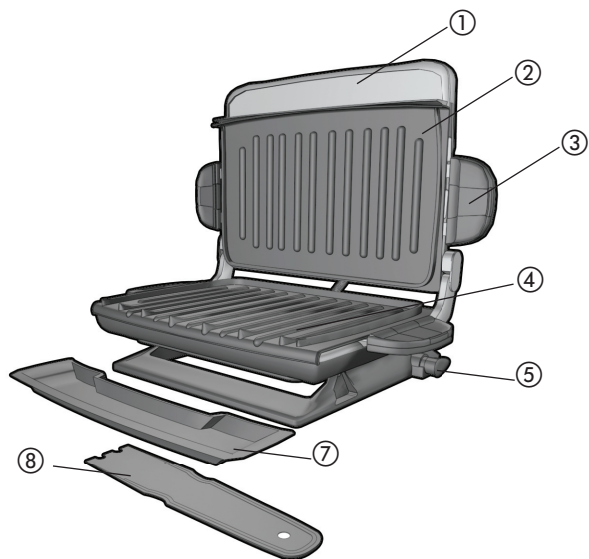
**Warning: This appliance is equipped with a tamper-resistant screw to prevent removal of the outer cover. To reduce the risk of fire or electric shock, do not attempt to remove the outer cover. There are no user-serviceable parts inside. Repair should be done only by authorized service personnel.**

### ELECTRICAL CORD

- a) A short power-supply cord (or detachable power-supply cord) is to be provided to reduce the risk resulting from becoming entangled in or tripping over a longer cord.
- b) Longer detachable power-supply cords or extension cords are available and may be used if care is exercised in their use.
- c) If a long detachable power-supply cord or extension cord is used,
  - 1) The marked electrical rating of the detachable power-supply cord or extension cord should be at least as great as the electrical rating of the appliance,
  - 2) If the appliance is of the grounded type, the extension cord should be a grounding-type 3-wire cord, and
  - 3) The longer cord should be arranged so that it will not drape over the countertop or tabletop where it can be pulled on by children or tripped over.

**Note:** If the power supply cord is damaged, it should be replaced by qualified personnel. In Latin America, by an authorized service center.

Product may vary slightly from what is illustrated.



A1

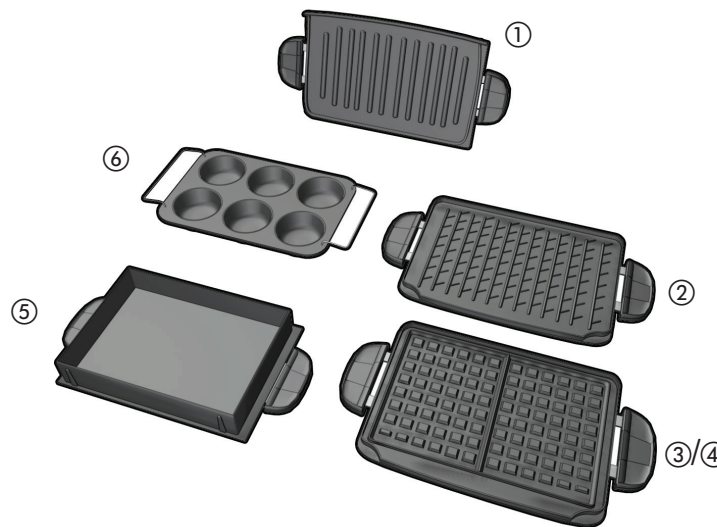
- 1. Integrated handle
- † 2. Grill plate (upper) (Part # GRP4-03)
- 3. Grill plate release handles (both sides)
- † 4. Grill plate (lower) (Part # GRP4-04)
- 5. Adjustable grill angle switch

- 6. Power cord (not shown)
  - † 7. Drip tray (Part # GRP4-01)
  - † 8. Spatula (Part # GRP4-02)
- Note:** † indicates consumer replaceable/removable parts

- 1. Time increase/decrease buttons
- 2. Power button (⏻)
- 3. Temperature increase/decrease buttons



A2



A3

Plate	Included	Part #	Models
1. Traditional grill plate	1	GRP4-03	All models
2. Cross-hatch grill plate	1	GRP4-04	All models
3. Waffle plate (upper)	1	GRP4-05	GRP6E, GRP5E, GRP4EW
4. Waffle plate (lower)	1	GRP4-06	GRP6E, GRP5E, GRP4EW
5. Deep dish bake plate	1	GRP4-07	GRP6E, GRP5E, GRP4EMB
6. Muffin pan insert	1	GRP4-08	GRP6E, GRP4EMB

**Note:** To order additional plates not included with your grill model, please visit us at [www.georgeforemancooking.com](http://www.georgeforemancooking.com).

# How to Use:

This product is for household use only.

## GETTING STARTED

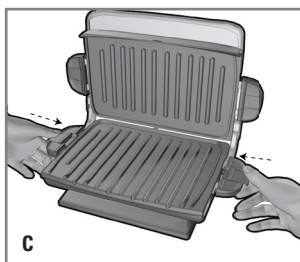
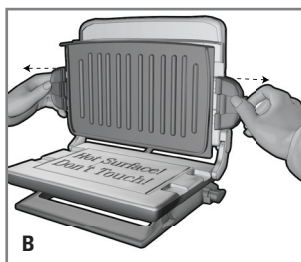
- Remove all packing material and any stickers.
- Remove and save literature.
- Please go to [www.prodprotect.com/applica](http://www.prodprotect.com/applica) to register your warranty.
- Wash removable plates and/or accessories as instructed in CARE AND CLEANING section of this manual.
- Wipe grill plates with a damp cloth or sponge to remove any dust. Wipe dry with a soft cloth or paper towels.
- Select location where unit is to be used, leaving enough space between back of unit and wall to allow heat to flow without damage to cabinets and walls.

## ATTACHING REMOVABLE PLATES

**Important:** This appliance should always be used with 2 grill plates securely attached.

### BASIC GRILL PLATES (See illustration A3)

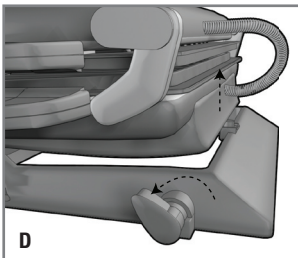
1. Securely attach top and bottom grill plates using release handles on sides of plates (**B and C**).



**Important:** When using grill plates, use switch at bottom right rear of grill to lift back of grill, so that drippings run into drip tray. (**D**)

**Caution:** This position should only be used when grilling.

2. Place drip tray under front sloped section of bottom plate on grill.



## WAFFLE PLATES:

(See illustration A3)

**Important:** When using these plates, make sure bottom grill plate is in a completely horizontal (flat) position.

1. When baking waffles, securely attach top and bottom waffle plates using release handles on sides of plates.
2. Set temperature at 425° F and allow grill to preheat for at least 5 minutes.
3. Waffles take about 8 minutes to cook to golden brown.

## DEEP DISH BAKE PLATE & MUFFIN PAN

(See illustration A3)

**Important:** When using these plates, make sure the grill is in a completely horizontal (flat) position (see illustration D).

1. If using deep dish bake plate, securely attach top grill plate to top of grill and securely attach filled deep dish bake plate to bottom of grill using release handles on sides of plates.
2. When finished baking in deep dish bake plate, use pot holders to remove bake plate to wire rack.
3. If using muffin pan, place filled muffin pan inside deep dish bake plate on bottom plate.

**Important:** When attaching the plates, be sure they are securely attached using release handles on sides of plates.

4. Fill muffin cups about half-full and bake according to package directions.
5. When muffins are finished baking, use pot holders to remove muffin pan from inside deep dish bake plate.
6. Place on wire rack to cool.

## Suggestions for using deep dish bake plate

- **Brownies:** set temperature at 350°F and bake for 25 minutes or until tests done
- **Cornbread:** set temperature at 350°F and bake 20 minutes.
- **Focaccia:** see recipe on page 15.
- **Lasagna:** see recipe on page 16.
- **Chicken or fish in cream sauce:** set temperature at 350°F and bake for 25 minutes or until tests done.
- **Beef with vegetables in gravy:** brown beef deep dish bake plate at 400° F; add remaining ingredients and reduce temperature to 300°F; cook until meat and vegetables are tender.

### Suggestions for using muffin pan:

- Follow package directions, filling muffin cups about half-full and bake until golden. Try:
  - **Corn muffins**
  - **Cranberry muffins**
  - **Banana nut**
  - **Blueberry**
- **Mini meatloaves:** see recipe on page 17.

### PREHEATING THE GRILL

1. Close lid on grill.
2. Unwind cord and plug it into standard electrical outlet. LCD display will show dashes where time and temperature will be displayed.
3. Press POWER (⏻) to turn grill on; 5 minutes will appear on timer display and 300°F will appear on temperature display.
4. To begin preheating, set desired cooking time, adding 5 minutes for grill to preheat by tapping ▲. Time changes in one-minute increments. (There is an audible signal each time button is pressed.) Display will show time selected.
5. Time can be changed at any time in one-minute increments by tapping ▲ or ▼ repeatedly. Minimum cooking time is 1 minute; maximum is 20 minutes. The LCD display will show ON.
6. Set desired temperature by tapping ▲ repeatedly to select desired temperature. Temperature changes in 25° increments. Temperature settings range from 300°F to 425°F.

### USING YOUR GRILL

**Important: When grilling meats, poultry and fish, use switch at bottom right rear of the grill to lift back of bottom grill plate and have drippings run into drip tray.** (See illustration D.)

**Important: When grilling sandwiches, making waffles or muffins and baking, tilt bottom grill plate to horizontal (flat) position.**

1. Select time and temperature desired, following directions in PREHEATING GRILL. Allow time for preheating.
2. Before first use, if desired, lightly oil grill plates.

**Note:** Aerosol cooking spray should not be used on nonstick surface. Chemicals that allow spray to come out of can build up on surface of grill plates and reduce their efficiency.

3. Carefully place foods to be cooked on bottom grill plate of preheated grill. This grill usually accommodates 2 to 4 servings.

**Note:** Do not overload grill plate.

4. Close lid, closing it directly onto food.

**Note:** Use suggested cooking times found in GRILLING CHART on pages 9–11.

5. Allow food to cook for selected time.

**Important: Do not leave the appliance unattended during use.**

6. During cooking, timer will count down. When selected time has elapsed, grill will give a ready signal. Grill will remain on until it is unplugged.
7. After selected time, food should be done. If you would prefer longer cooking, simply follow steps beginning at step 4.
8. Using pot holder, carefully open lid.
9. Remove cooked food using plastic spatula provided.

**Note:** Always use heatproof plastic, nylon or wood utensils to avoid scratching nonstick surface of grill plates. Never use metal skewers, tongs, forks or knives.

10. Press POWER (⏻) to turn off and unplug grill.

**Important: Heat continues to be ON until grill is unplugged.**

11. Allow drip tray to cool before removing from under grill. Wash and dry the drip tray after each use.

**Caution: Do not remove grill plates while grill is hot. Always allow them to cool to room temperature before removing or cleaning.**

## SUGGESTED GRILLING CHART FOR MEATS, POULTRY, FISH AND SANDWICHES

The following are meant to be used as a guideline only. Times reflect full grill of food. Cooking time will depend upon thickness and cut being used. Use cooking thermometer as test for doneness. If food needs longer cooking, check periodically to avoid overcooking food.

FOOD	COOKING TIME	COMMENTS
<b>MEAT</b>		
Hamburger (5 oz.)	4 – 6 minutes	¾-inch thick Cooked to medium (160°F)
Frozen hamburgers (5 oz.)	5 – 6 minutes	¾-inch thick Cooked to medium (160°F)
Flank steak (¾ lb.)	6 – 8 minutes	¾-inch thick Cooked to medium rare (145°F)
Skirt steak (½ lb.)	4 – 6 minutes	¾-inch thick Cooked to medium (160°F)
NY strip steak (shell steak) (6 oz.)	6 – 8 minutes	¾-inch thick Cooked to medium rare (145°F)
Beef tenderloin (5 oz.)	4 – 6 minutes	¾-inch thick Cooked to medium rare (145°F)
Beef kabobs	5 – 7 minutes	Cooked to medium (160°F)
Pork loin chops, boneless	4 – 6 minutes	¾-inch thick Cooked to 160°F
Pork loin chops, bone in	4 – 6 minutes	½ -inch thick Cooked to 160°F
Sausage, link or patty	4 – 6 minutes	Cooked to 160°F
Hot dogs	4 – 5 minutes	Cooked to 168°F
Bacon	6 – 8 minutes	Cook until just crisp
Smoked pork loin chops, boneless	4 – 6 minutes	Cooked to 160°F
Lamb chops, loin	5 – 7 minutes	¾-inch thick Cooked to medium (160°F)

FOOD	COOKING TIME	COMMENTS
<b>POULTRY</b>		
Chicken breast, boneless and skinless (8 oz.)	11 – 13 minutes	Cooked to 170°F
Chicken tenderloins (4 to 6 pieces)	4 – 6 minutes	Cooked to 170°F
Turkey tenderloin (¾ lb.)	9 – 11 minutes	Cooked to 170°F
Turkey burgers (5 oz.)	4 – 6 minutes	Cooked to 170°F
<b>FISH</b>		
Tilapia fillets (6 oz., ea.)	5 – 7 minutes	Cooked to 145°F
Trout fillet (6 oz.)	4 – 6 minutes	Cooked to 145°F
Salmon fillet (8 oz. piece)	5 – 7 minutes	Cooked to 145°F
Salmon steak (8 oz.)	7 – 9 minutes	Cooked to 145°F
Tuna steak (6 oz.)	4 – 6 minutes	Cooked to 145°F
Shrimp	3 – 4 minutes	Cooked to 145°F
<b>SANDWICHES</b>		
Grilled cheese and sandwich is golden	2 – 3 minutes	Cook until cheese is melted
Grilled cheese with tomato tuna, ham or bacon	3 – 4 minutes	Cook until cheese is melted and sandwich is golden
Quesadillas	2 – 3 minutes	Cook until cheese is melted and tortilla is lightly browned

**Please note:** To be sure your food is fully cooked the USDA recommends the following guidelines. Use a meat thermometer to test for doneness by inserting the meat thermometer into the center of the food being cooked and make sure the thermometer is not touching the bone or grill plates.

FOOD TO BE COOKED	MEDIUM	WELL DONE OR FULLY COOKED
Chicken Breast		170°F 77°C
Chicken Thigh		180°F 82°C
Beef / Lamb / Veal	160°F 71°C	170°F 77°C
Pork		160°F 71°C
Reheated cooked meats and poultry		165°F 74°C

## GRILLING FRUITS AND VEGETABLES

The following are meant to be used as a guideline only. The times reflect a full grill of food. Cooking time will depend upon thickness of food. Use a fork inserted into the center of the food to test for doneness. (Be careful not to touch the grill plate.) If the food needs longer cooking, check periodically to avoid overcooking the food.

FOOD	GRILLING TIME
Asparagus spears	4 – 6 minutes
Bell peppers, assorted colors cut into ½-inch rings	5 – 7 minutes
Mushrooms, thickly sliced	4 – 5 minutes
Onion slices, ½-inch	5 – 7 minutes
Potato slices, ½-inch	15 – 18 minutes
Portabella mushrooms, 3-inch diameter	4 – 6 minutes
Zucchini slices, ½-inch	3 – 4 minutes
Fresh pineapple slices, ½-inch	2 – 4 minutes

### GRILLING TIPS:

- To prevent heat loss and promote even cooking, do not open the grill cover frequently while cooking.
- Do not overfill grill; it will hold 2 to 4 servings comfortably.
- When first cooking a particular food, check for doneness several minutes before suggested time; if necessary, adjust timer using control button.
- If cooking more than one piece of food, try to have them similar in size and thickness.
- Remember that since grill is cooking from both sides, cooking time will typically be shorter than expected. Watch carefully to avoid overcooking.
- For added flavor, add dry seasonings before grilling or marinate foods before cooking.

## Care and Cleaning

### CLEANING

**Caution: To avoid accidental burns, allow grill to cool thoroughly before cleaning.**

1. Before cleaning, unplug grill from wall outlet and allow to cool.
- Important: Heating elements will continue to be ON until grill is unplugged.**
2. Place drip tray under front of grill. Use plastic spatula to scrape off any excess fat and food particles left on the grill plates; runoff will drip into the drip tray. Wipe plates dry with a paper towel or sponge to avoid grease dripping onto your counter when plates are removed.
3. Remove plates as instructed in HOW TO USE (see illustrations **B** and **C**). To clean grill plates, wash in warm, soapy water; dry thoroughly with a paper towel.
4. Empty drip tray and wash in warm, soapy water; dry thoroughly with a paper towel.
5. Reinstall grill plates (see illustrations **B** and **C**), making sure they are securely attached to grill body.

**Note:** Removable grill plates are also dishwasher-safe. If washing grill plates in a dishwasher, wipe uncoated side with a dry towel to prevent discoloration. Dishwasher detergent may cause oxidation on uncoated side of grill plate. This is not harmful and can be wiped off with a damp towel.

6. To remove stubborn buildup, use a nylon or nonmetallic scrubbing pad to clean the grill plates.

**Important: Do not use metallic scrubbing pads, steel wool or any abrasive cleaners to clean any part of your grill; use only nylon or nonmetallic scrubbing pads.**

7. To clean the grill cover, wipe with a warm, wet sponge and dry with a soft, dry cloth.

**Important: Do not immerse body of grill in water or any other liquid.**

8. Any servicing requiring disassembly other than the above cleaning must be preformed by a qualified electrician.

**Caution: Make sure to hold grill cover by the handle while cleaning to prevent accidental closing and injury.**

### STORAGE

Always make sure grill is clean and dry before storing.

## TROUBLESHOOTING

PROBLEM	POSSIBLE CAUSE	SOLUTION
Finish on grill plates has cut marks.	Metal utensils have been used.	Always use heatproof plastic, nylon or wood utensils to avoid scratching nonstick surface of grill plates. Never use metal skewers, tongs, forks or knives.
Grill marks on food are very light.	Grill was not fully preheated before use.	Always preheat grill at least 5 minutes before cooking any foods.
There is food buildup on grill plates.	Grill not properly cleaned after use.	Use nylon scrubbing pad and hot, soapy water to clean grill plates. Do not use steel wool scrubbing pads or abrasive cleaners to clean grill.
Food is dry and burnt.	Food is overcooked.	Because grill is cooking from both sides, food is cooked much faster than in a skillet or under a broiler. Use COOKING CHART as a guide and check food at lowest time stated on chart.
Grill does not turn on.	Grill is not plugged in.	Check to be sure appliance is plugged into working outlet and POWER (⏻) is on.
The grill plate has white spots on it.	The water from cleaning has dried on the surface of the grill plates.	Dry grill plate immediately after washing.



# RECIPES

## EASY FOCACCIA

1 pkg. (8 oz.) refrigerated garlic breadsticks

½ cup shredded Asiago cheese

½ cup chopped parsley

2 tbsp. chopped fresh rosemary

1 tbsp. olive oil

Unroll breadsticks (do not separate) and lay out in greased deep baking pan of grill. Sprinkle evenly with cheese. Top with parsley and rosemary. Drizzle oil over all. Attach top grill plate to grill.

Attach deep dish bake plate on bottom of grill. Close lid. Set baking time for 20 minutes and temperature at 400°F. Bake until bread is golden and fully baked.

Using pot holders, remove baking pan from grill and place on heat-resistant surface. Use nylon spatula to remove bread from baking pan. Serve warm.

Makes 6 to 8 servings.

## POTATO AND LEEK FRITTATA

6 oz. red skin potatoes, thinly sliced

1 tbsp. olive oil

1 leek (white and light green part) thinly sliced

4 eggs, lightly beaten

2 tbsp. half & half

½ tsp. herbs de Provence

½ tsp. salt

¼ tsp. garlic pepper

½ cup shredded Gruyère cheese

Chopped parsley

Attach top grill plate to grill.

Place deep dish bake plate on bottom of grill. Set baking time at 10 minutes and temperature at 400°F.

Add potatoes, oil and leeks. Close cover and cook, turning potatoes occasionally.

In bowl, combine eggs, half & half, herbs de Provence, salt and garlic pepper; whisk until well blended. Stir in cheese.

Add egg mixture to deep dish bake plate. Set baking time for 15 minutes and temperature at 350°F. Bake until eggs are fully baked and puffed.

Using pot holders, remove bake plate from grill and place on heat-resistant surface. Garnish with parsley. Use nylon spatula to serve.

Makes 6 to 8 servings.

## SPINACH LASAGNA

½ lb. part skim milk ricotta cheese

1 egg, slightly beaten

2¼ cups shredded mozzarella cheese

½ cup shredded Parmesan cheese

½ cup well drained defrosted frozen chopped spinach

2 tbsp. chopped parsley

¼ tsp. salt

2 cups marinara sauce

9 lasagna noodles cooked and drained

In medium bowl, combine ricotta cheese, egg, ½ cup mozzarella cheese, ¼ cup Parmesan cheese, spinach, parsley and salt; blend well.

Spread ½ cup marinara sauce in ungreased deep dish bake plate. Top with 3 noodles. Spread half of the spinach mixture over the noodles. Sprinkle with ½ cup mozzarella cheese and ½ cup marinara sauce. Repeat layering pasta, spinach mixture, cheese and sauce.

Place 3 noodles on top. Spread remaining sauce on noodles and top with remaining ¾ cup mozzarella and ¼ cup Parmesan cheese.

Place deep dish bake plate onto bottom of grill. Close lid.

Set baking time for 20 minutes and temperature for 375°F. Set timer for 20 minutes. Set temperature at 400°F. Bake until hot and cheese is melted and golden.

Using pot holders, remove bake plate from grill and place on heat-resistant surface. Let stand 5 minutes before serving.

Makes 6 to 8 servings.

## **MINI MEATLOAVES**

¾ lb. ground beef

1 egg, slightly beaten

1 slice bread, coarsely crumbled (½ cup)

2 tbsp. refrigerated salsa

¼ cup minced onion

2 tbsp. shredded Cheddar Jack cheese mix

1 tbsp. chopped cilantro

1 large clove garlic, minced

½ tsp. salt

⅛ tsp. pepper

In medium bowl, combine all ingredients and blend well.

Divide mixture evenly; shape into balls and place in muffin cups.

Place deep dish bake plate onto bottom of grill. Insert muffin pan into deep dish bake plate. Close lid.

Preheat grill for 5 minutes. Set baking time for 15 minutes and temperature for 350°F. Bake until meatloaves are brown and fully cooked. Meat should register 160°F on a meat thermometer.

Using pot holders, remove bake plate from grill and place on heat-resistant surface. Let stand 5 minutes before serving.

Makes 3 servings.

## **CHURRASCO**

1 tbsp. Adobo seasoning mix

1 tbsp. instant minced onion

½ tsp dried pepper flakes

½ tsp. garlic pepper

1½ lb. skirt steak

In small bowl, combine seasonings. Sprinkle evenly on both sides of steak. Refrigerate while preheating grill.

Grill 6 to 8 minutes at 425°F, to desired doneness.

Slice into strips to serve.

Makes 2 servings.

## **CROQUE MONSIEUR A LA GEORGE FOREMAN®**

¼ cup Egg Beaters

¼ cup milk

¼ tsp. salt

4 slices white bread

1 tbsp. honey mustard

4 oz. sliced ham

4 oz. sliced low-fat Swiss cheese

4 oz. sliced turkey

In glass pie plate or shallow dish, combine egg beaters, milk and salt; blend well.

Place 2 slices of bread on cutting board, spread honey mustard on bread. Top each slice of bread with ham, cheese and turkey. Cover with remaining slices of bread.

Dip sandwiches into egg mixture and turn to coat both sides.

Place on preheated grill set at at 325°F and close cover. Grill 3 minutes or until sandwich is golden and cheese is melted.

Makes 2 sandwiches.

## **HAM AND PINEAPPLE GRILLED SANDWICH**

¼ cup pineapple preserves

¼ cup chopped canned peaches

1 tbsp. finely diced candied ginger

4 slices sour dough bread

4 oz. thinly sliced ham

4 oz. brie, sliced

2 tbsp. melted butter

In small bowl, combine preserves, peaches and ginger; set aside. Spread melted butter on one side of each slice of bread.

Place 2 slices of bread buttered side down on cutting board, spread pineapple mixture on bread. Top each slice of bread with ham and cheese. Cover with remaining slices of bread with buttered side up.

Place on preheated grill set at 325°F and close cover. Grill 3 minutes or until sandwich is golden and cheese is softened.

Makes 2 sandwiches.

## TURKEY SALSA ROLL

¼ cup packaged salsa

1 tbsp. minced purple onion

1 tbsp. chopped cilantro

2 large tomato wraps

4 oz. sliced turkey

4 oz. shredded Monterey Jack cheese with jalapeno peppers

In small bowl, combine salsa, onion and cilantro; set aside.

Place wraps on cutting board, spread salsa down center of wrap. Top each with turkey and cheese. Fold in sides and roll-up. Place end side down on preheated grill and close cover. Grill 3 minutes at 325°F or until sandwich is golden and cheese is melted.

Makes 2 sandwiches.

# INSTRUCCIONES IMPORTANTES DE SEGURIDAD

Cuando se usan aparatos eléctricos, siempre se deben respetar las siguientes medidas básicas de seguridad:

- Por favor lea todas las instrucciones.
- No toque las superficies calientes. Use las asas o las perillas.
- A fin de protegerse contra un choque eléctrico y lesiones a las personas, no sumerja el cable, los enchufes ni el aparato en agua ni en ningún otro líquido.
- Todo aparato eléctrico usado en la presencia de los niños o por ellos mismos requiere la supervisión de un adulto.
- Desconecte el aparato del tomacorriente cuando no esté en uso y antes de limpiarlo. Espere que el aparato se enfríe antes de instalarle o retirarle piezas y antes de limpiarlo.
- No use ningún aparato eléctrico que tenga el cable o el enchufe averiado, que presente un problema de funcionamiento o que esté dañado. Acuda a un centro de servicio autorizado para que lo examinen, reparen o ajusten o llame gratis al número correspondiente en la cubierta de este manual.
- El uso de accesorios no recomendados por el fabricante del aparato puede ocasionar incendio, choque eléctrico o lesiones a las personas.
- No use este aparato a la intemperie.
- No permita que el cable cuelgue del borde de la mesa o del mostrador ni que entre en contacto con superficies calientes.
- No coloque el aparato sobre ni cerca de las hornillas de gas o eléctricas ni adentro de un horno caliente.
- Tome mucha precaución al mover de un lugar a otro un aparato que contenga aceite u otros líquidos calientes.
- Para desconectar, ajuste todo control a la posición de apagado (0) y después, retire el enchufe del tomacorriente.
- Este aparato se debe usar únicamente con el fin previsto.

❑ Asegurese de que las placas removibles esten colocadas y ajustadas correctamente.

❑ Este aparato solo debe dejarse funcionar en posición cerrada.

## CONSERVE ESTAS INSTRUCCIONES.

**Este aparato eléctrico es para uso doméstico únicamente.**

### ENCHUFE POLARIZADO (Solamente para los modelos de 120V)

Este aparato cuenta con un enchufe polarizado (un contacto es más ancho que el otro). A fin de reducir el riesgo de un choque eléctrico, este enchufe encaja en un tomacorriente polarizada en un solo sentido. Si el enchufe no entra en el tomacorriente, inviértalo y si aun así no encaja, consulte con un electricista. Por favor no trate de alterar esta medida de seguridad.

### TORNILLO DE SEGURIDAD

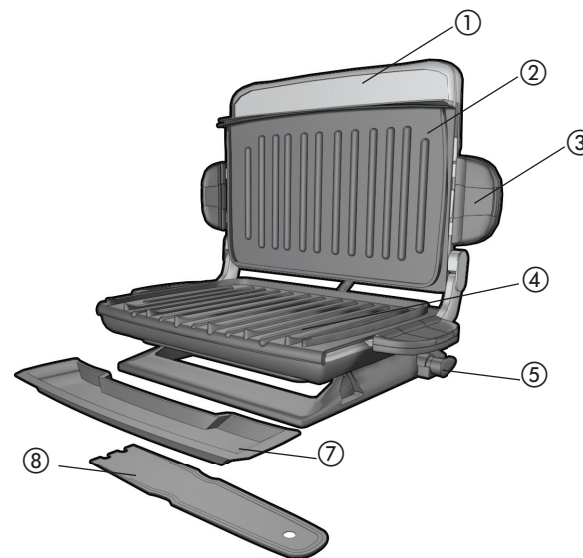
**Advertencia: Este aparato cuenta con un tornillo de seguridad para evitar la remoción de la cubierta exterior del mismo. A fin de reducir el riesgo de incendio o de choque eléctrico, por favor no trate de remover la cubierta exterior. Este producto no contiene piezas reparables por el consumidor. Toda reparación se debe llevar a cabo únicamente por personal de servicio autorizado.**

### CABLE ELÉCTRICO

- El producto debe proporcionarse con un cable corto (o uno desmontable) para reducir el riesgo de enredarse o de tropezar con un cable largo.
- Se encuentran disponibles cables desmontables o de extensión más largos, que es posible utilizar si se emplea el cuidado debido.
- Si se utiliza un cable desmontable o de extensión.
  - El voltaje eléctrico del cable desmontable o del cable de extensión debe ser, como mínimo, igual al del voltaje del aparato,
  - Si el aparato es del tipo que va conectado a tierra, el cable de extensión deberá ser un cable de tres alambres conectado a tierra.
  - El cable más largo debe acomodarse de modo que no cuelgue del mostrador o de la mesa, para evitar que un niño tire del mismo o que alguien se tropiece.

**Nota:** Si el cordón de alimentación esta dañado, en América Latina se debe sustituirse por un personal calificado o por el centro de servicio autorizado.

**El producto puede variar ligeramente del que aparece ilustrado aquí.**



A1

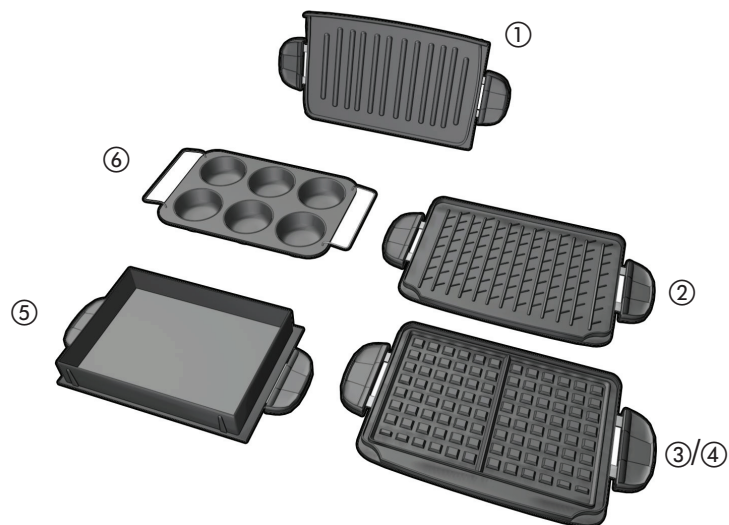
- Mango integrado
- † 2. Placa para asar (superior) (Pieza N° GRP4-03)
3. Manijas de lanzamiento de la placa de la parrilla (ambos lados)
- † 4. Placa para asar (inferior) (Pieza N° GRP4-04)
5. Ángulo de parrilla ajustable
6. Cable de alimentación (no mostrado)
- † 7. Bandeja de goteo (Pieza N° GRP4-01)
- † 8. Espátula (Pieza N° GRP4-02)

**Nota:** † indica piezas desmontables/reemplazables por el consumidor

1. Botones de aumento y reducción del tiempo
2. Botón de encendido (⏻)
3. Botones de aumento y reducción de temperatura



A2



A3

Placa	Incluida(s)	Pieza N°	Modelos
1. Placa para asar tradicional	1	GRP4-03	Todos los modelos
2. Placa para asar con superficie en forma de cruz	1	GRP4-04	Todos los modelos
3. Placa para waffles (superior)	2	GRP4-05	GRP6E, GRP5E, GRP4EW
4. Placa para waffles (inferior)	2	GRP4-06	GRP6E, GRP5E, GRP4EW
5. Placa para hornear alimentos de masa gruesa	1	GRP4-07	GRP6E, GRP5E, GRP4EMB
6. Accesorio para preparar bollitos	1	GRP4-08	GRP6E, GRP4EMB

**Nota:** Para encargar placas adicionales que no se incluyen con el modelo de su parrilla, visítenos en [www.georgeforemancooking.com](http://www.georgeforemancooking.com).

## Como usar

Este producto está diseñado únicamente para uso doméstico.

### PASOS PRELIMINARES

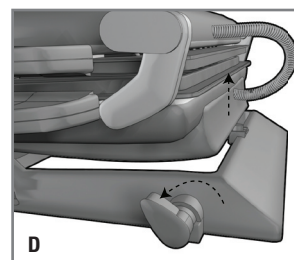
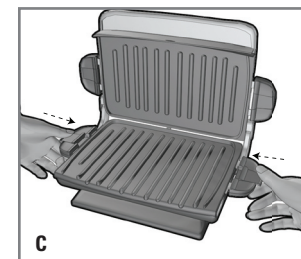
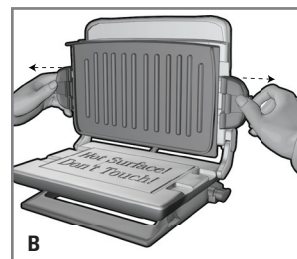
- Retire todas las etiquetas y el material de empaque.
- Retire y guarde la literatura.
- Vaya a [www.prodprotect.com/applica](http://www.prodprotect.com/applica) para registrar su garantía.
- Lave las piezas removibles y/o los accesorios según se describe en la sección CUIDADO Y LIMPIEZA de este manual.
- Limpie las placas para asar con un paño o una esponja humedecidos para eliminar el polvo. Séquelas con un paño suave o toallas de papel.
- Seleccione el lugar donde se utilizará el aparato, dejando espacio suficiente entre la parte posterior del mismo y la pared de modo que el calor fluya sin dañar los gabinetes o las paredes.

### COLOCACIÓN DE LAS PLACAS PARA ASAR

**Importante:** Este aparato debe utilizarse siempre con 2 placas para asar firmemente aseguradas.

#### PLACAS PARA ASAR BÁSICAS (Consulte la figura A3.)

1. Coloque la placa para asar superior e inferior usando las palancas de liberación que se encuentran a cada lado de las placas (**B** y **C**).



**Importante:** Al usar las placas para asar, use el interruptor que se encuentra en la parte inferior y posterior de la parrilla. De esta forma la parte posterior de la placa inferior quedará alzada y el goteo se dirigirá a la bandeja (D).

**Precaución:** Esta posición solo debe utilizarse para asar.

2. Coloque la bandeja de goteo debajo de la sección inclinada de la placa inferior.

## PLACA PARA HORNEAR ALIMENTOS DE MASA GRUESA Y ACCESORIO PARA BOLLITOS

(Consulte la figura A3.)

**Importante:** Al utilizar estas placas, asegúrese de que la placa inferior esté en posición completamente horizontal.

1. Al preparar waffles, coloque la placa superior e inferior para waffles usando las palancas de liberación que se encuentran a cada lado de las placas.
2. Configure la temperatura a 425° F y permita que la parrilla se caliente durante al menos 5 minutos.
3. Los waffles tardan aproximadamente 8 minutos en ponerse dorados.

## PLACA PARA HORNEAR ALIMENTOS DE MASA GRUESA Y ACCESORIO PARA BOLLITOS

(Consulte la figura A3.)

**Importante:** Al utilizar estas placas, asegúrese de que la parrilla esté en posición completamente horizontal (vea D).

1. Si se va a utilizar la placa para hornear alimentos de masa gruesa, coloque la placa superior en la sección superior de la parrilla y la placa para alimentos de masa gruesa, que contiene los alimentos que se van a preparar, en la sección inferior usando las palancas de liberación que se encuentran a cada lado de las placas.
2. Al terminar de hornear, retire la placa para hornear alimentos de masa gruesa con la ayuda de agarraderas y colóquela sobre una bandeja de alambre.
3. Si se va a utilizar el accesorio para bollitos, colóquelo dentro de la placa para hornear alimentos de masa gruesa y sobre la placa inferior.

**Importante:** Al colocar las placas para asar, asegúrese de que queden firmemente colocadas usando las palancas de liberación que se encuentran a cada lado de las placas.

4. Llene los moldes de los bollitos hasta la mitad y hornéelos según las instrucciones del paquete.
5. Cuando los bollitos estén listos, retire el accesorio para bollitos (con la ayuda de agarraderas) de la placa para alimentos de masa gruesa.
6. Coloque el accesorio sobre una bandeja de alambre para que se enfríe.

**Sugerencias para el uso de la placa para hornear alimentos de masa gruesa:**

- **Brownies:** Configure la temperatura a 350° F y hornee por 25 minutos o hasta que estén listos.
- **Pan de maíz:** Configure la temperatura a 350° F y hornee por 20 minutos.
- **Focaccia:** Vea la receta en la página 35.
- **Lasaña:** Vea la receta en la página 37.

- **Pollo o pescado en salsa cremosa:** Configure la temperatura a 350° F y hornee por 25 minutos o hasta que esté listo.
- **Carne con vegetales y salsa:** Cocine la carne en la placa para alimentos de masa gruesa a 400° F; agregue los ingredientes restantes y reduzca la temperatura a 300° F; cocine hasta que la carne y los vegetales estén tiernos.

**Sugerencias para el uso del accesorio para bollitos:**

- Siga las instrucciones del paquete y llene los moldes de los bollitos hasta la mitad. Hornéelos hasta que estén dorados. Pruebe:
  - **Bollitos de maíz**
  - **Bollitos de arándano (cranberry)**
  - **Bollitos de banana y nuez**
  - **Bollitos de arándano azul (blueberry)**
- **Panes de carne en miniatura:** Vea la receta en la página 38.

## PRECALENTAMIENTO DE LA PARRILLA:

1. Cierre la tapa de la parrilla.
2. Desenrolle el cable y conéctelo a una toma de corriente estándar. La pantalla digital mostrará guiones donde aparecerán el tiempo y la temperatura.
3. Presione el botón POWER (⏻) para encender la parrilla; en la pantalla del cronómetro aparecerán 5 minutos y la de temperatura indicará 300° F.
4. Para empezar a precalentar, seleccione el tiempo de cocción deseado y agregue 5 minutos tocando ▲. El tiempo cambia en incrementos de un minuto. (Se oirá una señal cada vez que se presione el botón de tiempo.) En la pantalla se indicará el tiempo seleccionado.
5. El tiempo se puede modificar en cualquier momento en incrementos de un minuto tocando ▲ o ▼ reiteradamente. El tiempo mínimo de cocción es de 1 minuto; el máximo es de 20 minutos. La pantalla digital mostrará ON (encendido).
6. Establezca la temperatura deseada tocando ▲ reiteradamente. La temperatura cambia en incrementos de 25°. La temperatura se puede establecer entre 300° F y 425° F.

## USAR DE SU PARRILLA

**Importante:** Al asar carnes, aves y pescado, use el interruptor que se encuentra en la parte inferior y posterior de la parrilla. De esta forma la parte posterior de la placa inferior quedará alzada y el goteo se dirigirá a la bandeja (Consulte la figura D.)

**Importante:** Al preparar sándwiches, waffles o bollitos y para hornear, incline la placa inferior hacia la posición horizontal.

1. Seleccione el tiempo y la temperatura deseados según las instrucciones de la sección PRECALENTAMIENTO DE LA PARRILLA. Agregue tiempo para que la parrilla se precaliente.
2. Antes del primer uso, si lo desea, unte las placas para asar ligeramente con aceite.

**Nota:** No utilice aceite para cocinar en aerosol sobre la superficie antiadherente. Los químicos que permiten que el aerosol salga pueden acumularse en la superficie de las placas y reducir su eficiencia.

3. Coloque cuidadosamente los alimentos que se van a cocinar sobre la placa inferior. Generalmente en la parrilla caben de 2 a 4 porciones.

**Nota:** No sobrecargue la placa para asar.

4. Cierre la tapa directamente sobre los alimentos.

**Nota:** Utilice los tiempos de cocción sugeridos en la TABLA PARA ASAR en las páginas 28 a 31.

5. Permita que los alimentos se cocinen durante el tiempo seleccionado.

**Importante:** Preste atención al aparato durante su uso.

6. Durante la cocción, el cronómetro contará de forma regresiva. Una vez transcurrido el tiempo seleccionado, la parrilla emitirá un sonido. La parrilla permanecerá encendida hasta que se desconecte.
7. Una vez transcurrido el tiempo seleccionado, los alimentos deberían estar listos. Si prefiere más tiempo de cocción, siga los pasos empezando por el paso 4.
8. Abra la tapa cuidadosamente con la ayuda de agarraderas.
9. Retire los alimentos con la espátula de plástico proporcionada.

**Nota:** Utilice siempre utensilios de plástico, nylon o madera que sean resistentes al calor para no rayar la superficie antiadherente de las placas. Nunca utilice pinchos de metal, pinzas, tenedores o cuchillos.

10. Presione POWER (⏻) para apagar y desconectar la parrilla.

**Importante:** La parrilla sigue generando calor hasta que se desconecta.

11. Permita que la bandeja de goteo se enfríe antes de alejarla de la parrilla. Lave y seque la bandeja de goteo después de cada uso.

**Precaución:** No retire las placas para asar mientras la parrilla aún esté caliente. Permita siempre que se enfríen a temperatura ambiente antes de retirarlas o limpiarlas.

## TABLA PARA ASAR A LA PLANCHA SUGERIDA PARA CARNES, AVES, PESCADOS Y SÁNDWICHES

Los siguientes valores se deben usar como guía únicamente. Los tiempos sugeridos corresponden a la capacidad completa de la plancha. El tiempo de cocción depende del grosor y del corte utilizados. Use un termómetro de cocción para comprobar si el alimento está listo. Si el alimento necesita una cocción más prolongada, verifique periódicamente para evitar cocinarlo en exceso.

ALIMENTO	TIEMPO DE COCCIÓN	COMENTARIOS
<b>CARNE</b>		
Hamburguesa 141,75 g (5 oz)	4 – 6 minutos	1,91 cm (¾ pulgada) de grosor Cocción a término medio 71 °C (160 °F)
Hamburguesas congeladas	5 – 6 minutos	1,91 cm (¾ pulgada) de grosor Cocción a término medio 71 °C (160 °F)
Bistec de vacío 340,19 g (¾ lb)	6 – 8 minutos	1,91 cm (¾ pulgada) de grosor Cocción a punto 63 °C (145 °F)
Bistec de falda 226,8 g (½ lb)	4 – 6 minutos	1,91 cm (¾ pulgada) de grosor Cocción a término medio 71 °C (160 °F)
Bistec tipo NY (del lomo corto) 170,1 g (6 oz)	6 – 8 minutos	1,91 cm (¾ pulgada) de grosor Cocción a punto 63 °C (145 °F)
Filete de carne de res 141,75 g (5 oz)	4 – 6 minutos	1,91 cm (¾ pulgada) de grosor Cocción a punto 63 °C (145 °F)
Pinchos de carne de res	5 – 7 minutos	Cocción a término medio 71 °C (160 °F)
Chuletas de lomo de puerco, deshuesadas	4 – 6 minutos	1,91 cm (¾ pulgada) de grosor Cocción a 71 °C (160 °F)
Chuletas de lomo de puerco, con hueso	4 – 6 minutos	1,27 cm (½ pulgada) de grosor Cocción a 71 °C (160 °F)
Embutido, salchichita o pati	4 – 6 minutos	Cocción a 71 °C (160 °F)
Hot dogs	4 – 5 minutos	Cocción a 75,5 °C (168 °F)

ALIMENTO	TIEMPO DE COCCIÓN	COMENTARIOS
Tocino	6 – 8 minutos	Cocinado hasta estar crujiente
Chuletas de lomo de puerco ahumadas, deshuesadas	4 – 6 minutos	Cocción a 71 °C (160 °F)
Chuletas de cordero, lomo	5 – 7 minutos	1,91 cm (¾ pulgada) de grosor Cocción a término medio 71 °C (160 °F)
<b>AVES</b>		
Pechuga de pollo, deshuesada y sin piel 226,8 g (8 oz)	11 – 13 minutos	Cocción a 77 °C (170 °F)
Lomitos de pollo (4 a 6 trozos)	4 – 6 minutos	Cocción a 77 °C (170 °F)
Lomo de pavo 340,19 g (¾ lb)	9 – 11 minutos	Cocción a 77 °C (170 °F)
Hamburguesas de pavo 141,75 g (5 oz)	4 – 6 minutos	Cocción a 77 °C (170 °F)
<b>PESCADO</b>		
Filetes de tilapia 170,1 g (6 oz) c/u	5 – 7 minutos	Cocción a 63 °C (145 °F)
Filete de trucha 170,1 g (6 oz)	4 – 6 minutos	Cocción a 63 °C (145 °F)
Filete de salmón 226,8 g (8 oz) por pieza	5 – 7 minutos	Cocción a 63 °C (145 °F)
Bistec de salmón 226,8 g (8 oz)	7 – 9 minutos	Cocción a 63 °C (145 °F)
Bistec de atún 170,1 g (6 oz)	4 – 6 minutos	Cocción a 63 °C (145 °F)
Langostinos	3 – 4 minutos	Cocción a 63 °C (145 °F)

ALIMENTO	TIEMPO DE COCCIÓN	COMENTARIOS
<b>SÁNDWICHES</b>		
Queso asado a la plancha	2 – 3 minutos	Cocine hasta que el queso se derrita y el sándwich se dore
Queso asado a la plancha con tomate, atún, jamón o tocino	3 – 4 minutos	Cocine hasta que el queso se derrita y el sándwich se dore
Quesadillas	2 – 3 minutos	Cocine hasta que el queso se derrita y la tortilla adquiera un color ligeramente dorado

**Tenga en cuenta:** Para asegurarse de que su alimento esté completamente cocinado, el Departamento de Agricultura de los Estados Unidos (United States Department of Agriculture, USDA) recomienda las siguientes pautas. Use un termómetro para carnes para comprobar si el alimento está listo insertando el termómetro para carnes en el centro del alimento que está cocinando y asegúrese de que el termómetro no toque el hueso.

ALIMENTO PARA COCINAR	TÉRMINO MEDIO	BIEN COCIDO O TOTALMENTE COCIDO
Pechuga de pollo		170 °F 77 °C
Muslo de pollo		180 °F 82 °C
Carne de res/Cordero/Ternera	160 °F 71 °C	170 °F 77 °C
Puerco		160 °F 71 °C
Carne de res y ave cocidas recalentadas		165 °F 74 °C



# ASAR A LA PLANCHA FRUTAS Y VERDURAS

Los siguientes valores se deben usar como guía únicamente. Los tiempos sugeridos corresponden a la capacidad completa de la plancha. El tiempo de cocción depende del grosor del alimento. Introduzca un tenedor en el centro del alimento para comprobar si está listo. (Tenga cuidado de no tocar la placa de la plancha). Si el alimento necesita una cocción más prolongada, verifique periódicamente para evitar cocinarlo en exceso.

ALIMENTO	TIEMPO PARA ASAR A LA PLANCHA
Racimos de espárragos	4 – 6 minutos
Pimientos, diversos colores cortados en aros de 1,27 cm (½ pulgada)	5 – 7 minutos
Hongos, en rebanadas gruesas	4 – 5 minutos
Rebanadas de cebolla, 1,27 cm (½ pulgada)	5 – 7 minutos
Rebanadas de papa, 1,27 cm (½ pulgada)	15 – 18 minutos
Hongos portobello, 7,62 cm (3 pulgadas) de diámetro	4 – 6 minutos
Rebanadas de zucchini, 1,27 cm (½ pulgada)	3 – 4 minutos
Rodajas de piña fresca, 1,27 cm (½ pulgada)	2 – 4 minutos

## CONSEJOS PARA ASAR A LA PLANCHA

- Para impedir la pérdida de calor y generar una cocción pareja, no abra la tapa de la plancha frecuentemente durante la cocción.
- No llene la plancha en exceso.
- Al cocinar por primera vez un alimento específico, compruebe si está listo varios minutos antes del tiempo sugerido; si es necesario, ajuste el temporizador con el botón de control.
- Si cocina más de un trozo de alimento, intente que tengan un tamaño y grosor similares.
- Recuerde que, dado que la plancha cocina de ambos lados, el tiempo de cocción será típicamente más corto que lo esperado. Preste atención para evitar cocinar en exceso.
- Para obtener un sabor más intenso, agregue los condimentos secos antes de asar a la plancha o marine los alimentos antes de cocinarlos.

# Cuidado y limpieza

## LIMPIEZA

**Precaución:** Para evitar quemaduras accidentales, espere hasta que la plancha se enfríe completamente antes de limpiarla.

1. Antes de limpiar, desenchufe la plancha del tomacorriente de la pared y deje que se enfríe.

**Importante:** Las resistencias seguirán estando encendidas hasta desenchufar el electrodoméstico.

2. Coloque una bandeja de goteo debajo del frente de la plancha. Use la espátula de plástico para raspar el exceso de grasa y las partículas de alimentos que queden en las placas de la plancha; el escurrimiento caerá en la bandeja de goteo. Seque las placas con una toalla de papel o esponja para evitar que la grasa gotee sobre la superficie de trabajo al retirar las placas.
3. Retire las placas según se indica en la sección COLOCACIÓN DE LAS PLACAS PARA ASAR (vea las ilustraciones **B** y **C**). Para limpiar las placas de la plancha, lávelas con agua templada en jabón; séquela bien con una toalla de papel.
4. Vacíe la bandeja de goteo y lávela con agua templada en jabón; séquela bien con una toalla de papel.
5. Vuelva a instalar las placas de la plancha (vea las ilustraciones **B** y **C**), y asegúrese de que estén firmemente sujetas a la estructura de la plancha.

**Nota:** Las placas removibles de la plancha se pueden lavar en la máquina lavaplatos. Si lava las placas de la plancha en la máquina lavaplatos, limpie el lado no recubierto con una toalla de papel para evitar que se decolore. El detergente de lavaplatos puede provocar oxidación del lado no recubierto de la placa de la plancha. Esto no es nocivo y puede retirarse con una toalla húmeda.

6. Para eliminar las acumulaciones difíciles, use una esponjilla de nailon o no metálica para limpiar las placas de la plancha.

**Importante:** No use esponjillas metálicas, lana de acero ni limpiadores abrasivos para limpiar ninguna parte de su plancha; use únicamente esponjillas de nailon o no metálicas.

7. Para limpiar la tapa de la plancha, limpie con una esponja húmeda templada y seque con un trapo seco suave.

**Importante:** No sumerja la estructura de la plancha en agua ni en ningún otro líquido.

8. Cualquier servicio técnico que requiera desarmar la plancha, además de la limpieza mencionada, debe ser realizado por un electricista calificado.

**Precaución:** Asegúrese de sujetar la tapa de la plancha por el tirador al limpiarla

para evitar que se cierre accidentalmente y provoque lesiones.

### ALMACENAMIENTO

Siempre asegúrese de que la plancha esté limpia y seca antes de almacenarla.

## DETECCIÓN DE FALLAS

PROBLEMA	CAUSA POSIBLE	SOLUCIÓN
Las terminaciones de las placas de la plancha tienen marcas de cortes.	Se han utilizado utensilios de metal.	Siempre use utensilios de plástico, nailon o madera antitérmicos para evitar rayar la superficie antiadherente de las placas de la plancha. Nunca use espetones, pinzas, tenedores ni cuchillos de metal.
Las marcas del asado a la plancha en los alimentos son muy leves.	No se precalentó la plancha completamente antes de usarla.	Siempre precaliente la plancha, por lo menos, 5 minutos antes de cocinar cualquier alimento.
Hay acumulación de comida en las placas de la plancha.	No se limpió la plancha correctamente después de usarla.	Use esponjillas de nailon y agua caliente en jabón para limpiar las placas de la plancha. No use esponjillas de lana de acero ni limpiadores abrasivos para limpiar la plancha.
El alimento está seco y quemado.	El alimento se ha cocinado en exceso.	Dado que la plancha cocina de ambos lados, los alimentos se cocinan mucho más rápidamente que en una sartén o en un asador. Use el cuadro de cocción como guía y controle el alimento cuando haya pasado el tiempo más bajo establecido en el cuadro.
La plancha no enciende.	La plancha no está enchufada.	Compruebe que el electrodoméstico esté enchufado en un tomacorriente que funcione y que el interruptor de encendido/apagado esté en la posición de encendido.
La parrilla tiene manchas blancas.	El agua de fregar se ha secado sobre la superficie de las placas de la parrilla.	Seque la placa inmediatamente después de lavarla.

# RECETAS

## PAN SENCILLO ESTILO FOCCACCIA

1 paquete (8 oz) de grisines de ajo refrigerados

½ taza queso Asiago rallado

½ taza perejil picado

2 cdas romero fresco picado

1 cda aceite de oliva

Desenrolle los grisines sin separarlos y colóquelos en la placa para alimentos de masa gruesa, previamente engrasada. Cúbralos con queso de forma pareja. Condimente con perejil y romero. Salpíquelos con aceite. Coloque la placa para asar superior.

Coloque la placa con los grisines en la sección inferior de la parrilla. Cierre la tapa. Configure el tiempo de cocción a 20 minutos y la temperatura a 400° F. Hornee hasta que el pan esté dorado y listo.

Con la ayuda de agarraderas, retire la placa con los grisines de la parrilla y colóquela sobre una superficie resistente al calor. Utilice una espátula de nylon para retirar el pan de la placa. Servir caliente.

Rinde 6 a 8 porciones.

## FRITTATA DE PAPA Y PUERRO

6 oz. papas de piel roja, cortadas en rebanadas finas

1 cda aceite de oliva

1 puerro (parte blanca y verde claro) cortado en rebanadas finas

4 huevos ligeramente batidos

2 cdas crema (half & half)

½ cda hierbas provenzales

½ cda sal

¼ cda pimienta de ajo

½ taza queso Gruyère rallado

Perejil picado

Coloque la placa para asar superior.

Coloque la placa para asar alimentos de masa gruesa en la sección inferior de la parrilla. Configure el tiempo de cocción a 10 minutos y la temperatura a 400° F.

Agregue las papas, el aceite y los puerros. Cierre la tapa y cocine, revolviendo las papas de vez en cuando.

En un recipiente, bata los huevos, la crema, las hierbas provenzales, la sal y la pimienta de ajo hasta que queden bien mezclados. Incorpore el queso.

Agregue la mezcla de huevo a la placa. Configure el tiempo de cocción a 15 minutos y la temperatura a 350° F. Hornee hasta que los huevos estén completamente cocidos e inflados.

Con la ayuda de agarraderas, retire la placa para hornear de la parrilla y colóquela sobre una superficie resistente al calor. Decore con perejil. Use una espátula de nylon para servir.

Rinde 6 a 8 porciones.

## **LASAÑA DE ESPINACA**

½ lb. queso ricotta semidescremado

1 huevo ligeramente batido

2¼ tazas queso mozzarella rallado

½ taza queso parmesano rallado

½ taza espinaca congelada, descongelada y bien escurrida

2 cdas perejil picado

¼ cda sal

2 tazas salsa marinara

9 fideos para lasaña, cocidos y colados

En un recipiente mediano, mezcle bien el queso ricotta, el huevo, ½ taza de queso mozzarella, ¼ taza de queso parmesano, la espinaca, el perejil y la sal.

Cubra la placa para hornear alimentos de masa gruesa con ½ taza de salsa marinara (no es necesario engrasar la placa). Coloque 3 fideos. Vierta la mitad de la mezcla de espinaca sobre los fideos. Cubra con ½ taza de queso mozzarella y ½ taza de salsa marinara. Repita la secuencia de pasta, mezcla de espinaca, queso y salsa.

Termine con 3 fideos. Vierta la salsa restante sobre los fideos y cubra con la ¾ taza de queso mozzarella y la ¼ taza de queso parmesano restantes.

Coloque la placa para hornear alimentos de masa gruesa en la sección inferior de la parrilla. Cierre la tapa.

Configure el tiempo de cocción a 20 minutos y la temperatura a 375° F. Configure el cronómetro en 20 minutos. Configure la temperatura a 400° F. Hornee hasta que la lasaña esté caliente y el queso esté derretido y dorado.

Con la ayuda de agarraderas, retire la placa para hornear de la parrilla y colóquela sobre una superficie resistente al calor. Permita descansar 5 minutos antes de servir.

Rinde 6 a 8 porciones.

## **PANES DE CARNE EN MINIATURA**

¾ lb. carne picada

1 huevo ligeramente batido

1 rebanada de pan, desmenuzada en trozos grandes (½ taza)

2 cdas salsa refrigerada

¼ taza cebolla finamente picada

2 cdas mezcla de queso Cheddar y Jack rallado

1 cda cilantro picado

1 diente de ajo grande, finamente picado

½ cda sal

⅛ cda pimienta

Mezcle bien todos los ingredientes en un recipiente mediano.

Divida la mezcla en trozos iguales; forme bolas y colóquelas en moldes para bollitos.

Coloque la placa para hornear alimentos de masa gruesa en la sección inferior de la parrilla. Coloque el accesorio para bollitos dentro de la placa. Cierre la tapa.

Precale la parrilla durante 5 minutos. Configure el tiempo de cocción a 15 minutos y la temperatura a 350° F. Hornee hasta que los panes de carne estén dorados y cocidos totalmente. La carne debería registrar 160° F en un termómetro de carne.

Con la ayuda de agarraderas, retire la placa para hornear de la parrilla y colóquela sobre una superficie resistente al calor. Permita descansar 5 minutos antes de servir.

Rinde 3 porciones.

## **CHURRASCO**

1 cda. mezcla de sazón Adobo

1 cda. cebolla seca finamente picada

½ cda. escamas de pimienta seca

½ cda. pimienta con ajo

1½ lb. bistec de falda de res

En un tazón pequeño, combine los condimentos. Rocíe uniformemente en ambos lados del bistec. Refrigérela mientras se precalienta la parrilla.

Ajuste la parrilla a 425° F. y cocine de 6 a 8 minutos al punto deseado.

Corte en tiras para servir.

Rinde 2 porciones.

## **CROQUE MONSIEUR A LA GEORGE FOREMAN®**

¼ taza sustituto de huevo " Egg Beaters "

¼ taza leche

¼ cda. sal

4 rebanadas de pan blanco

1 cda. mostaza con miel

4 oz. tajadas de jamón

4 oz. queso suizo en lascas

4 oz. tajadas de pavo

Combine el sustituto de huevo, la leche y la sal dentro de un molde de vidrio poco hondo para hornear; mezcle bien.

Coloque dos rebanadas de pan sobre la tabla de cortar, y unte la mostaza con miel. Cubra cada rebanada con jamón, queso y pavo. Cubra con el pan restante.

Sumerja los sándwiches en la mezcla de huevo y voltéelos para cubrir ambos lados.

Coloque sobre la parrilla precalentada (325° F) y cierre la tapa. Cocine durante 3 minutos o hasta que doren y el queso se haya derretido.

Rinde 2 sándwiches.

## **SÁNDWICH ASADO DE JAMÓN CON PIÑA**

¼ taza conserva de piña

¼ taza melocotones enlatados, picados

1 cda. jengibre caramelizado, picado finamente

4 rebanadas pan de masa agria

4 oz. jamón, en tajadas finas

4 oz. queso brie, tajado

2 cdas. mantequilla derretida

En un tazón pequeño, combine la conserva, el melocotón y jengibre; ponga aparte. Unte la mantequilla derretida en un lado de cada rebanada de pan.

Coloque 2 rebanadas de pan con el lado untado de mantequilla hacia abajo sobre la tabla de cortar, y úntelas con la mezcla de piña. Cubra cada rebanada con el jamón y el queso. Cubra con las rebanadas de pan restantes, con el lado untado de mantequilla hacia arriba.

Coloque sobre la parrilla precalentada (325° F) y cierre la tapa. Cocine durante 3 minutos o hasta que doren y el queso se haya ablandado.

Rinde 2 sándwiches.

## **ENROLLADO DE PAVO CON SALSA**

¼ taza salsa envasada

1 cda. cebolla morada, picada finamente

1 cda. cilantro picado

2 tortillas de harina con sabor a tomate

4 oz. pavo en tajadas

4 oz. queso tipo Monterey Jack con chile jalapeño

En un tazón pequeño, combine la salsa, la cebolla y el cilantro; ponga aparte.

Coloque las envolturas sobre la tabla de cortar y unte la mezcla de salsa en el centro. Cubra cada una con el pavo y el queso. Enróllelas y colóquelas con la orilla hacia abajo sobre la parrilla precalentada (325° F) y cierre la tapa. Cocine durante 3 minutos o hasta que el sándwich esté dorado y el queso se haya derretido.

Rinde 2 sándwiches.

## NEED HELP?

For service, repair or any questions regarding your appliance, call the appropriate 800 number on cover of this book. Please DO NOT return the product to the place of purchase. Also, please DO NOT mail product back to manufacturer, nor bring it to a service center. You may also want to consult the website listed on the cover of this manual.

### **Two-Year Limited Warranty (Applies only in the United States and Canada)**

#### **What does it cover?**

- Any defect in material or workmanship provided; however, Aplica's liability will not exceed the purchase price of product.

#### **For how long?**

- Two years after the date of original purchase.

#### **What will we do to help you?**

- Provide you with a reasonably similar replacement product that is either new or factory refurbished.

#### **How do you get service?**

- Save your receipt as proof of date of sale.
- Check our on-line service site at [www.prodprotect.com/applica](http://www.prodprotect.com/applica), or call our toll-free number, 1-800-231-9786, for general warranty service.
- If you need parts or accessories, please call 1-800-738-0245.

#### **What does your warranty not cover?**

- Damage from commercial use
- Damage from misuse, abuse or neglect
- Products that have been modified in any way
- Products used or serviced outside the country of purchase
- Glass parts and other accessory items that are packed with the unit
- Shipping and handling costs associated with the replacement of the unit
- Consequential or incidental damages (Please note, however, that some states do not allow the exclusion or limitation of consequential or incidental damages, so this limitation may not apply to you.)

#### **How does state law relate to this warranty?**

- This warranty gives you specific legal rights, and you may also have other rights that vary from state to state or province to province.

## ¿NECESITA AYUDA?

Para servicio, reparaciones o preguntas relacionadas al producto, por favor llame gratis al número "800" que aparece en la cubierta de este manual. No devuelva el producto al establecimiento de compra. No envíe el producto por correo al fabricante ni lo lleve a un centro de servicio. También puede consultar el sitio web que aparece en la cubierta de este manual.

### **Dos años de garantía limitada (Aplica solamente en Estados Unidos o Canadá)**

#### **¿Qué cubre la garantía?**

- La garantía cubre cualquier defecto de materiales o de mano de obra. Aplica no se responsabiliza por ningún costo que exceda el valor de compra del producto.

#### **¿Por cuánto tiempo es válida la garantía?**

- Por dos años a partir de la fecha original de compra.

#### **¿Qué clase de asistencia recibe el consumidor?**

- El consumidor recibe un producto de reemplazo nuevo o restaurado de fábrica, parecido al original.

#### **¿Cómo se obtiene el servicio necesario?**

- Conserve el recibo original como comprobante de la fecha de compra.
- Se puede visitar el sitio web de asistencia al consumidor [www.prodprotect.com/applica](http://www.prodprotect.com/applica), o se puede llamar gratis al número 1-800-231-9786, para obtener información relacionada al servicio de garantía.
- Si necesita piezas o accesorios, por favor llame gratis al 1-800-738-0245.

#### **¿Qué aspectos no cubre esta garantía?**

- Los daños al producto ocasionados por el uso comercial
- Los daños ocasionados por el mal uso, abuso o negligencia
- Los productos que han sido alterados de cualquier manera
- Los productos utilizados o reparados fuera del país original de compra
- Las piezas de vidrio y demás accesorios empacados con el aparato
- Los gastos de tramitación y embarque relacionados con el reemplazo del producto
- Los daños y perjuicios indirectos o incidentales (sin embargo, por favor observe que algunos estados no permiten la exclusión ni la limitación de los daños y perjuicios indirectos ni incidentales, de manera que esta restricción podría no aplicar a usted).

#### **¿Qué relación tiene la ley estatal con esta garantía?**

- Esta garantía le otorga derechos legales específicos y el consumidor podría tener otros derechos que varían de una región a otra.

Copyright © 2008 - 2009 Applica Consumer Products, Inc.

Made in People's Republic of China  
Printed in People's Republic of China

Fabricado en la República Popular de China  
Impreso en la República Popular de China



R12008/3-13-39E/S