

Jama Port – DVD-V7200

Overview

The Jama port is a simple and cost effective means of controlling the player with switch contacts. The Jama port consists of eight pins on the Interface Connector (figure 1) which allows control commands to be sent to the DVD-V7200. Some of many features available through Jama Port control are:

- Title, Menu
- Up, down, left, right and enter navigation
- Chapter play (chapters one through twenty)
- Command Stacks¹ (group one through twenty-seven)

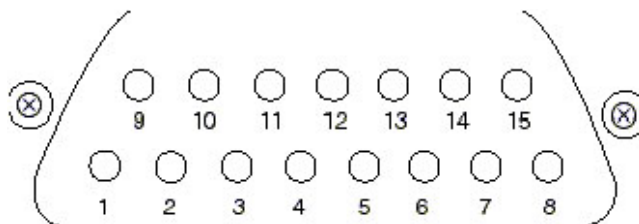


Figure 1

Pin No.	Terminal
1	Ground
6	SW 1
7	SW 2
8	SW 3
9	SW 4
10	SW 5
11	SW 6
12	SW 7
13	SW 8

¹ For more information on Command Stacks, please see the Advanced Features manual that's included with the DVD-V7000

There are two types of circuits that may be created. The first circuit style uses simple closures offering menu, up, down, left, right and enter navigation, (figure 2).

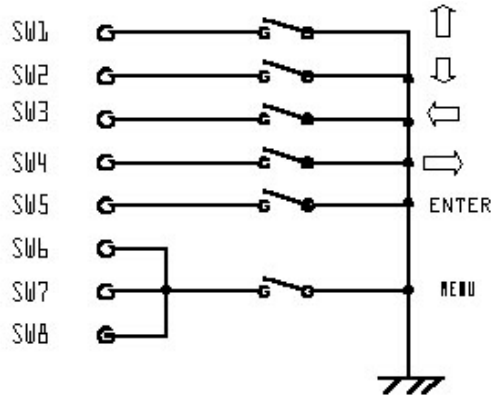


Figure 2

Note: Only one contact closure may be instituted at a time. If two buttons are pressed simultaneously, the player may lock up. Should this occur, cycle the power to restore player operation.

The second circuit uses a diode network (figure 3) and includes all functions listed on the Jama Port table.

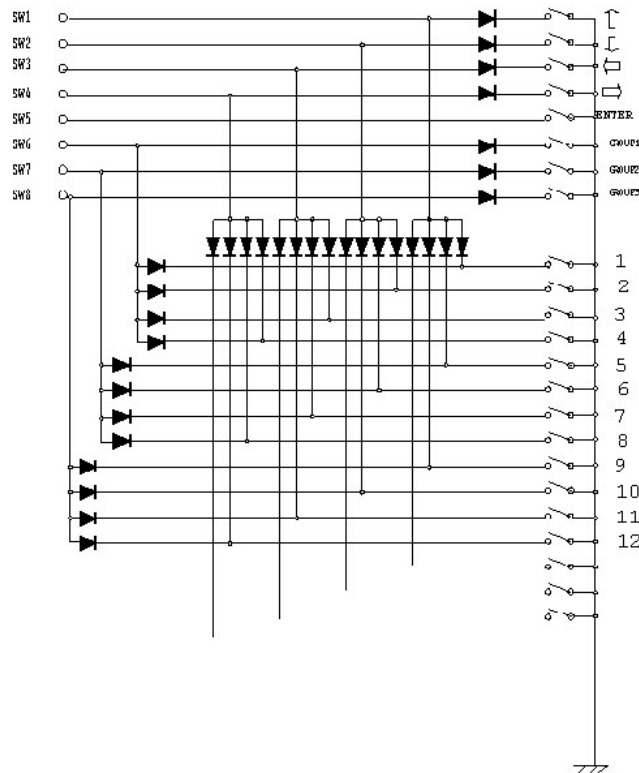


Figure 3

Note: Figure 3 is only an example of a circuit that can be created. Diodes used are 1N914 or the equivalent. With a diode matrix, it is possible to create a maximum of 72 functions.

The example demonstrates the following functions:

- up, down, left, right
- Barcode command stack 1, 2 and 3
- Chapter play 1 through 12

The following tables provide the necessary steps to create player commands.

SW1 ↑	SW2 ↓	SW3 ←	SW4 →	SW5 Enter	SW6 Group 1	SW7 Group 2	SW8 Group 3	Function
				1				Enter
						1	1	Title Menu
					1	1	1	Menu
				1	1			Play
				1		1		Stop
				1			1	Pause
				1	1	1		Step Forward
				1	1		1	Step Reverse
				1		1	1	Return
1	1							Open/Close Tray
		1	1					Display
1	1	1						Scan Forward
1	1		1					Scan Reverse
1		1	1					Skip Forward
	1	1	1					Skip Reverse
1								↑
	1							↓
		1						←
			1					→
1			1					↗
	1		1					↘
	1	1						↙
1		1						↖

SW1 ↑	SW2 ↓	SW3 ←	SW4 →	SW5 Enter	SW6 Group 1	SW7 Group 2	SW8 Group 3	Function
1					1			Chapter 1
	1				1			Chapter 2
		1			1			Chapter 3
			1		1			Chapter 4
1						1		Chapter 5
	1					1		Chapter 6
		1				1		Chapter 7
			1			1		Chapter 8
1							1	Chapter 9
	1						1	Chapter 10
		1					1	Chapter 11
			1				1	Chapter 12
1	1				1			Chapter 13
1		1			1			Chapter 14
1			1		1			Chapter 15
	1	1			1			Chapter 16
	1		1		1			Chapter 17
		1	1		1			Chapter 18
1					1	1		Chapter 19
	1				1	1		Chapter 20

SW1 ↑	SW2 ↓	SW3 ←	SW4 →	SW5 Enter	SW6 Group 1	SW7 Group 2	SW8 Group 3	Function
					1			Stack Group 1
						1		Stack Group 2
							1	Stack Group 3
		1			1	1		Stack Group 4
			1		1	1		Stack Group 5
1	1					1		Stack Group 6
1		1				1		Stack Group 7
1			1			1		Stack Group 8
	1	1				1		Stack Group 9
	1		1			1		Stack Group 10
		1	1			1		Stack Group 11
1						1	1	Stack Group 12
	1					1	1	Stack Group 13
		1				1	1	Stack Group 14
			1			1	1	Stack Group 15
1	1						1	Stack Group 16
1		1					1	Stack Group 17
1			1				1	Stack Group 18
	1	1					1	Stack Group 19
	1		1				1	Stack Group 20
		1	1				1	Stack Group 21
1					1		1	Stack Group 22
	1				1		1	Stack Group 23
		1			1		1	Stack Group 24
			1		1		1	Stack Group 25
					1	1		Stack Group 26
					1		1	Stack Group 27