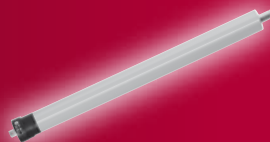
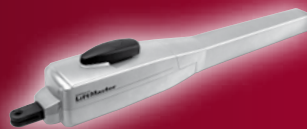


GARAGE DOOR OPENERS

LiftMaster



Visit our
Dealer Extranet
and benefit!

As the world's largest manufacturer of garage door openers, we supply **high quality products** with an enormous wealth of experience. We have a wide range of solutions for a variety of garages **all over the world**.

We place great emphasis on **quality, innovative technology and comprehensive service** not only to meet the expectations of our customers but to exceed them as well.

Garage door openers are equipped with automatic power detection, easy to program limit switches, rolling code technology, an energy-saving transformer, quick-connect wire terminals, control with diagnostics, 1 light 230V/40W with 2.5 minutes light delay (other settings available), antenna, connectors for door-in-door switch and indicator light.

These features guarantee easy installation.

LiftMaster™ Garage Door Openers for the specialist offer reliable solutions, security and long life.

The majority of LiftMaster garage door drives can be combined with different rails, so you choose the appropriate solution from a wide range, whether chain or belt, whether standard length or up to 5 m. All rails are made of steel in a C-profile and are 30 mm high.

Service & contact:

We'll be glad to answer your queries and consider your suggestions any time.

Call phone no. **+49 (0) 6838 90 71 72** or send an E-mail to **info@liftmaster.eu**

The service team in Saarwellingen looks forward to your call.

Chamberlain GmbH
Alfred-Nobel-Straße 4
D-66793 Saarwellingen
www.liftmaster.eu

LIFTMASTER™ OPERATOR GENERAL SPECIFICATIONS

Convenience/Safety

Emergency quick release, Automatic trolley reconnect, Trolley disconnect mode setting
Ventilation/pet opening, Safety stop and full reverse, Up: Safety stop, Automatic close (dependent on model),
Flashing light connection (dependent on model), Door-in-door switch (dependent on model)

General

Door Linkage: Adjustable door arm (dependent on model),
Logic Type: Solid-state microprocessor with built-in surge suppressor, Solid-state light delay (dependent on model)
Force Adjustment: Segmented - Automatic learn, Length of line cord: 1.2 m (dependent on model)
Temperature: -30 °C to +65 °C

Digital Radio controls

Logic boards feature the exclusive Smart Button for programming transmitter codes to receiver memory.
RF Module: 433.92 MHz – AM Superheterodyne
Rolling Code or Billion Code decoding
Battery (Remote Control): 2 x 3 V or 1 x 3 V (94335E)

Remote control may be programmed from operator or control panel.
Remote control may be programmed to control the opener light.
Remote control may be programmed to an open/close/stop function.
2.5 minutes light timing adjustable to 1.5, 2.5, 3.5, 4.5 minutes.
Operator light may be programmed to turn on when IR beam is broken.

In order to guarantee a smooth operation, we help you to diagnose in case of a failure.
Through simple flashing signals you will know what to do quickly.

Example: LM1000A-2, LM800A-2, LM60

1 Flash:	The Protector System™ open, misaligned or an object has broken IR beam for more than 4 seconds.
2 Flashes:	The Protector System™ wire shorted or connected backwards.
3 Flashes:	Door or wall control button wire shorted.
4 Flashes:	IR sensor slightly misaligned (dim or flashing sensor LED) or partially blocked.
5 Flashes:	No RPM in the first second of travel. Motor has stalled or the electronics did not see the RPM signal. The unit will stop or reverse in 1 second.
6 Flashes:	RPM caused a reversal (low force setting).
7 Flashes:	Bad logic board (Unplug and reconnect operator).
9 Flashes:	No passpoint detected during travel.
Rapid Flashing:	Transmitter code being received. (Operator not necessarily programmed to respond)

Install all operators to EN12453 and/or EN60335-95-2. **LiftMaster™ operators meet or exceed all applicable EU regulations.** All trolley operator impact forces, force sensing, door, weight, and size ratings have been tested and verified by TÜV-Rheinland. LiftMaster™ operators carry TÜV approval and CE marking.
All operators are HomeLink compatible.

LiftMaster

Chamberlain GmbH
Alfred-Nobel-Straße 4
D-66793 Saarwellingen
www.liftmaster.eu

©2012 Chamberlain GmbH



5-Year Motor warranty | 2-Year Full warranty
TÜV-tested to meet EN12453. For doors up to 130 kg/13.5 m²

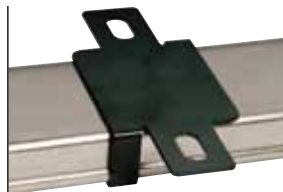
High quality accessories included in the carton



4-channel mini remote control



Wireless wall control



Low headroom bracket

Input Voltage 230–240 V AC, 50 Hz
Max. Pull Force 1,000 N
Watts 190 W
Stand-by power 3.0 W

MOTOR

Type 24 V DC gearmotor permanent lubrication

DRIVE MECHANISM

Drive Chain/belt with two-piece trolley on steel rail
Door height adjustable up to 2.3 m or up to 5 m with appropriate extension
Travel rate 127–178 mm per second
Lighting turns on when the drive is activated; turns off 2.5 minutes after closing
Door arm adjustable, trolley unlocking device

SAFETY

Automatic stop by pressing a button during forward or backward run and obstacle detection
Power recognition automatic
Overflow protection Transformer overload protection and low voltage cabling for accessories
Limit switch setting electronic, semi and fully automatic; optical detection of speed and door position

DIMENSIONS

Length (overall) 3.2 m
Headroom required 30 mm
Hanging weight 14.5 kg

RECEIVER

Memory Registers 64
Frequency 433.92 MHz

FURTHER FEATURES

Soft-start and soft-stop, automatic close

SPECIAL NOTE

Chamberlain strongly recommends to install the protector system on all garage door openers!





4-Year Motor warranty | 2-Year Full warranty
TÜV-tested to meet EN12453. For doors up to 110 kg/13.5 m²

High quality accessories included in the carton



3-channel mini remote control



Multi-function wall control



Low headroom bracket

Input Voltage 230–240 V AC, 50 Hz
Max. Pull Force 800 N
Watts 165 W
Stand-by power 2.7 W

MOTOR

Type 24 V DC gearmotor permanent lubrication

DRIVE MECHANISM

Drive Chain/belt with two-piece trolley on steel rail
Door height adjustable up to 2.3 m or up to 5 m with appropriate extension
Travel rate 127–178 mm per second
Lighting turns on when the drive is activated; turns off 2.5 minutes after closing
Door arm adjustable, trolley unlocking device

SAFETY

Automatic stop by pressing a button during forward or backward run and obstacle detection
Power recognition automatic
Overflow protection Transformer overload protection and low voltage cabling for accessories
Limit switch setting electronic, semi and fully automatic; optical detection of speed and door position

DIMENSIONS

Length (overall) 3.2 m
Headroom required 30 mm
Hanging weight 14.5 kg

RECEIVER

Memory Registers 32
Frequency 433.92 MHz

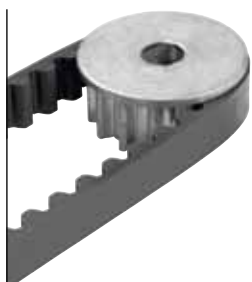
FURTHER FEATURES

Soft-start and soft-stop, automatic close

SPECIAL NOTE

Chamberlain strongly recommends to install the protector system on all garage door openers!





Belt

2-Year Full warranty
TÜV-tested to meet EN12453.
For doors up to 110 kg/13.5 m²

High quality accessories included in the carton



3-channel mini remote control



Wireless wall control

Input Voltage 230–240 V AC, 50 Hz
Max. Pull Force 800 N
Watts 125 W
Stand-by power 2.8 W

MOTOR

Type 24 V DC gearmotor permanent lubrication

DRIVE MECHANISM

Drive Belt with two-piece trolley on steel rail
Door height adjustable up to 2.3 m or up to 5 m with appropriate extension
Travel rate 127–178 mm per second
Lighting turns on when the drive is activated; turns off 2.5 minutes after closing
Door arm adjustable, trolley unlocking device

SAFETY

Automatic stop by pressing a button during forward or backward run and obstacle detection
Power recognition automatic
Overflow protection Transformer overload protection and low voltage cabling for accessories
Limit switch setting electronic, semi and fully automatic; optical detection of speed and door position

DIMENSIONS

Length (overall) 3.2 m
Headroom required 30 mm
Hanging weight 14.5 kg

RECEIVER

Memory Registers 12
Frequency 433.92 MHz

FURTHER FEATURES

Soft-start and soft-stop

SPECIAL NOTE

Chamberlain strongly recommends to install the protector system on all garage door openers!

NEW

In combination with the Multi-function control panel 78LM or 98LM the "PET & PED" function will be available for your convenience. With this function you can open your garage door as necessary – pet-function, pedestrian-function and automatic close.



Chain

2-Year Full warranty
TÜV-tested to meet EN12453.
For doors up to 90 kg/10.7 m²

High quality accessories included in the carton



3-channel mini remote control



Illuminated push button

Input Voltage 230–240 V AC, 50 Hz
Max. Pull Force 600 N
Watts 100 W
Stand-by power 2.6 W

MOTOR

Type 24 V DC gearmotor permanent lubrication

DRIVE MECHANISM

Drive Chain with two-piece trolley on steel rail
Door height adjustable up to 2.3 m or up to 5 m with appropriate extension
Travel rate 127–178 mm per second
Lighting turns on when the drive is activated; turns off 2.5 minutes after closing
Door arm adjustable, trolley unlocking device

SAFETY

Automatic stop by pressing a button during forward or backward run and obstacle detection
Power recognition automatic
Overflow protection Transformer overload protection and low voltage cabling for accessories
Limit switch setting electronic, semi and fully automatic; optical detection of speed and door position

DIMENSIONS

Length (overall) 3.2 m
Headroom required 30 mm
Hanging weight 14.5 kg

RECEIVER

Memory Registers 12
Frequency 433.92 MHz

FURTHER FEATURES

Soft-start and soft-stop

SPECIAL NOTE

Chamberlain strongly recommends to install the protector system on all garage door openers!

NEW

In combination with the Multi-function control panel 78LM or 98LM the "PET & PED" function will be available for your convenience. With this function you can open your garage door as necessary – pet-function, pedestrian-function and automatic close.



Chain

2-Year Full warranty
TÜV-tested to meet EN12453.
For doors up to 90 kg/10.7 m²

High quality accessories included in the carton



3-channel mini remote control



Illuminated push button



Rail

Input Voltage	230–240 V AC, 50 Hz
Max. Pull Force	600 N
Watts	100 W
Stand-by power	2.6 W
Torque	5 Nm

MOTOR

Type	24 V DC gearmotor permanent lubrication
-------------	---

DRIVE MECHANISM

Drive	Chain with two-piece trolley on steel rail
Door height	adjustable up to 2.3 m or up to 5 m with appropriate extension
Travel rate	127–178 mm per second
Lighting	turns on when the drive is activated; turns off 2.5 minutes after closing
Door arm	adjustable, trolley unlocking device

SAFETY

Automatic stop	by pressing a button during forward or backward run and obstacle detection
Power recognition	automatic
Overflow protection	Transformer overload protection and low voltage cabling for accessories
Limit switch setting	electronic, semi and fully automatic; optical detection of speed and door position

DIMENSIONS

Length (overall)	3.2 m
Headroom required	30 mm
Hanging weight	14.5 kg

RECEIVER

Memory Registers	12
Frequency	433.92 MHz

FURTHER FEATURES

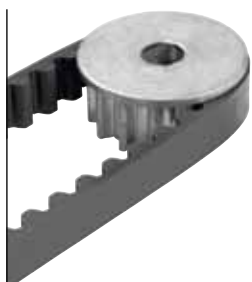
Soft-start and soft-stop

SPECIAL NOTE

Chamberlain strongly recommends to install the protector system on all garage door openers!

NEW

In combination with the Multi-function control panel 78LM or 98LM the "PET & PED" function will be available for your convenience. With this function you can open your garage door as necessary – pet-function, pedestrian-function and automatic close.



Belt

2-Year Full warranty
TÜV-tested to meet EN12453.
For doors up to 90 kg/10.7 m²

High quality accessories included in the carton



3-channel mini remote control



Wireless wall control



Rail

Input Voltage	230–240 V AC, 50 Hz
Max. Pull Force	600 N
Watts	100 W
Stand-by power	2.6 W
Torque	5 Nm

MOTOR

Type	24 V DC gearmotor permanent lubrication
-------------	---

DRIVE MECHANISM

Drive	Belt with two-piece trolley on steel rail
Door height	adjustable up to 2.3 m or up to 5 m with appropriate extension
Travel rate	127–178 mm per second
Lighting	turns on when the drive is activated; turns off 2.5 minutes after closing
Door arm	adjustable, trolley unlocking device

SAFETY

Automatic stop	by pressing a button during forward or backward run and obstacle detection
Power recognition	automatic
Overflow protection	Transformer overload protection and low voltage cabling for accessories
Limit switch setting	electronic, semi and fully automatic; optical detection of speed and door position

DIMENSIONS

Length (overall)	3.2 m
Headroom required	30 mm
Hanging weight	14.5 kg

RECEIVER

Memory Registers	12
Frequency	433.92 MHz

FURTHER FEATURES

Soft-start and soft-stop

SPECIAL NOTE

Chamberlain strongly recommends to install the protector system on all garage door openers!

NEW

In combination with the Multi-function control panel 78LM or 98LM the "PET & PED" function will be available for your convenience. With this function you can open your garage door as necessary – pet-function, pedestrian-function and automatic close.



Chain

2-Year Full warranty
TÜV-tested to meet EN12453.
For doors up to 110 kg/13.5 m²

High quality accessories included in the carton



3-channel mini remote control
(5580-2)
(5580K)



Illuminated push button
(5580-2)
(5580K)



Low headroom bracket
(5580-2)
(5580K)



Rail
(5580K)

Input Voltage 230–240 V AC, 50 Hz
Max. Pull Force 800 N
Watts 400 W
Stand-by power 2.6 W

MOTOR

Type Motor with capacitor for start and operation

DRIVE MECHANISM

Drive Chain with two-piece trolley on steel rail
Door height adjustable up to 2.3 m or up to 5 m with appropriate extension
Travel rate 100 mm per second
Lighting turns on when the drive is activated; turns off 2.5 minutes after closing
Door arm adjustable, trolley unlocking device

SAFETY

Automatic stop by pressing a button during forward or backward run and obstacle detection
Power recognition automatic
Overflow protection Transformer overload protection and low voltage cabling for accessories
Limit switch setting electronic, semi and fully automatic; optical detection of speed and door position

DIMENSIONS

Length (overall) 3.1 m
Headroom required 30 mm
Hanging weight 14.5 kg

RECEIVER

Memory Registers 8
Memory Registers 1 – keypad code memory
Frequency 433.92 MHz

SPECIAL NOTE

Chamberlain strongly recommends to install the protector system on all garage door openers!



9A5932



Battery operation possible

2-Year Full warranty
GS-tested and TÜV-tested to meet EN12453.
For doors up to 130 kg/13.5 m²

High quality accessories included in the carton



3-channel mini remote control



Collar



E-lock

Input voltage 230–240 V AC, 50 Hz
Nominal Pull Force 10 Nm
Max. Pull Force 40 Nm
Cable drum diameter min. 80 mm, max. 178 mm
Watts 145 W
Stand-by power 5.0 W
Opening speed 36 rpm
Closing speed 24 rpm

MOTOR

Type DC gearmotor

DRIVE MECHANISM

Drive Direct drive "Jackshaft"
Door height adjustable up to 4.5 m
Door arm Clutch, unlatch for manual operation

SAFETY

Automatic stop by pressing a button during forward or backward run and obstacle detection
Power recognition automatic
Overflow protection Transformer overload protection and low voltage cabling for accessories
Limit switch setting electronic, semi and fully automatic; optical detection of speed and door position

DIMENSIONS

Required lateral distance min. 230 mm
Max. door height 4.5 m

RECEIVER

Memory Registers 64
Frequency 433.92 MHz

FURTHER FEATURES

Soft-start and soft-stop, automatic close, door-in-door switch, flashing light

SPECIAL NOTE

Chamberlain strongly recommends to install the protector system on all garage door openers!





Battery operation possible

2-Year Full warranty

* No CE certification. Field of application outside of Europe

High quality accessories included in the carton



3-channel mini remote control



Illuminated push button



Power plug | South Africa

Input voltage 230–240 V AC, 50 Hz
Max. Pull Force 800 N
Watts 260 W
Stand-by power 2.9 W
Torque 8 Nm

MOTOR

Type DC gearmotor permanent lubrication

DRIVE MECHANISM

Drive Chain/belt with two-piece trolley on steel rail
Door height adjustable up to 2.3 m or up to 5 m with appropriate extension
Travel rate 127-178 mm per second
Lighting turns on when the drive is activated; turns off 2.5 minutes after closing
Door arm adjustable, trolley unlocking device

SAFETY

Automatic stop by pressing a button during forward or backward run and obstacle detection
Power recognition automatic
Overflow protection Transformer overload protection and low voltage cabling for accessories
Limit switch setting electronic, semi and fully automatic; optical detection of speed and door position

DIMENSIONS

Length (overall) 3.2 m
Headroom required 30 mm
Hanging weight 14.5 kg

RECEIVER

Memory Registers 32
Frequency 433.92 MHz

FURTHER FEATURES

Soft-start and soft-stop

SPECIAL NOTE

Chamberlain strongly recommends to install the protector system on all garage door openers!





Battery operation possible

2-Year Full warranty
TÜV-tested to meet EN12453.
For doors up to 100 kg/12.0 m²

High quality accessories included in the carton



3-channel mini remote control



Wireless wall control



Door weightbar

Input Voltage 230–240 V AC, 50 Hz
Max. Pull Force 550 N
Watts 90 W
Stand-by power 3.4 W
Torque 18 Nm
Automatic close Yes

MOTOR

Type DC gearmotor permanent lubrication

DRIVE MECHANISM

Drive gearless drive
Speed 13 rpm
Door height adjustable up to 4.5 m
Limit switch range max. 5 revolutions
Lighting turns on when the drive is activated; turns off 2.5 minutes after closing

SAFETY

Automatic stop by pressing a button during forward or backward run and obstacle detection
Power recognition automatic
Overflow protection Transformer overload protection and low voltage cabling for accessories
Limit switch setting electronic, semi and fully automatic; optical detection of speed and door position

DIMENSIONS

Required lateral distance 95 mm
Hanging weight 6 kg

RECEIVER

Memory Registers 64
Frequency 433.92 MHz

FURTHER FEATURES

Soft-start and soft-stop, automatic close

SPECIAL NOTE

Chamberlain strongly recommends to install the protector system on all garage door openers!





2-Year Full warranty

Nemko tested for EN12453
standard compliance with
contact strips on doors up to 14.0 m²

High quality accessories included in the carton



3-channel mini remote
control



Infrared sensor



Control

Input voltage	230 V, 50 Hz
Nominal power	250 W
Maximal power	400 W
Max. torque	350 Nm
Run capacitor	10 µF
Thermal protection	140 °C
Engine speed	1,400 rpm
Ambient temperature	-20/+55 °C
Operating frequency	
cycles/hour	20
Weight	approx. 9 kg
Protection type	IP44

DIMENSIONS

Max. door width – 1 motor	3 m
Max. door height – 1 motor	3 m
Max. door surface – 1 motor	8 m
Max. door width – 2 motors	5 m
Max. door height – 2 motors	3 m
Max. door surface – 2 motors	14 m

RAILS

For LM1000A-2, LM800A-2 and LM60A (chain only). Specify operator head and rail separately.
 All rails come with automatic chain or belt tensioner device. Required headroom clearance: C-rail – 30 mm.

CHAIN



Model	Description
7023CR3	1-piece C-rail, chain, for 2.3 m door
7025CR3	1-piece C-rail, chain, chain, for 2.5 m door
7030CR3	1-piece C-rail, chain, for 3.0 m door
7223CR3	2-piece C-rail, chain, for 2.3 m door
7423CR3	4-piece C-rail, chain, for 2.3 m door
7010CR3	1.0 m Extension kit, chain, master links, splice
7020CR3	2.0 m Extension kit, chain, master links, splice

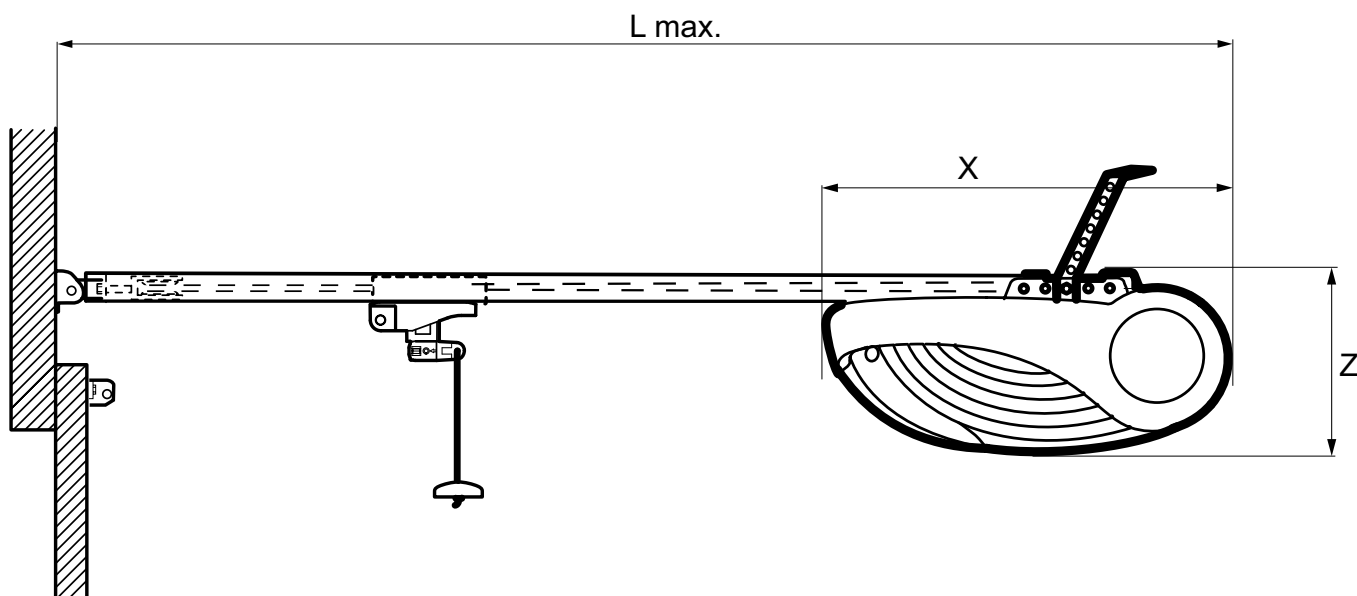
BELT



Model	Description
8023CR3	1-piece C-rail, belt, for 2.3 m door
8025CR3	1-piece C-rail, belt, for 2.5 m door
8030CR3	1-piece C-rail, belt, for 3.0 m door
8223CR3	2-piece C-rail, belt, for 2.3 m door
8423CR3	4-piece C-rail, belt, for 2.3 m door
8430CR3	4-piece C-rail, belt, for 3.0 m door
8010CR3	1.0 m Extension kit for C-rail 8030CR3, replacement belt for 4.0 m door, splice
8020CR3	2.0 m Extension kit fo 8030CR3 belt: belt for 5.0 m, rail

Rail / model chart recommendation

	LM1000A-2	LM800A-2	LM80AR-128	LM60A	LM60K	LM60R-128
7023CR3	X	X		X		
7025CR3	X	X		X		
7030CR3	X	X		X		
7223CR3	X	X		X		
7423CR3	X	X		X	included	
7010CR3	X	X		X		
7020CR3	X	X		X		
8023CR3	X	X	X			
8025CR3	X	X	X			
8030CR3	X	X	X			
8223CR3	X	X	X			
8423CR3	X	X	X			included
8430CR3	X	X	X			
8010CR3	X	X	X			
8020CR3	X	X	X			



	L max.	max. trolley movement	X	Z
LM60x LM80x	3,210 mm	2,570 mm	330 mm	140 mm

	L max.	max. trolley movement	X	Z
LM800Ax LM1000Ax				
7023CR3 7223CR3 7423CR3 8023CR3 8223CR3 8423CR3	3,210 mm	2,570 mm	400 mm	175 mm
7025CR3 8025CR3	3,410 mm	2,770 mm	400 mm	175 mm
7030CR3 8030CR3 8430CR3	4,400 mm	3,400 mm	400 mm	175 mm
7010CR3 8010CR3	1,000 mm	1,000 mm	x	x
7020CR3 8020CR3	2,000 mm	2,000 mm		

LiftMaster

Chamberlain GmbH
Alfred-Nobel-Straße 4
D-66793 Saarwellingen
www.liftmaster.eu