

Click SAVE to save this manual to your computer. Thank you for choosing Honda.

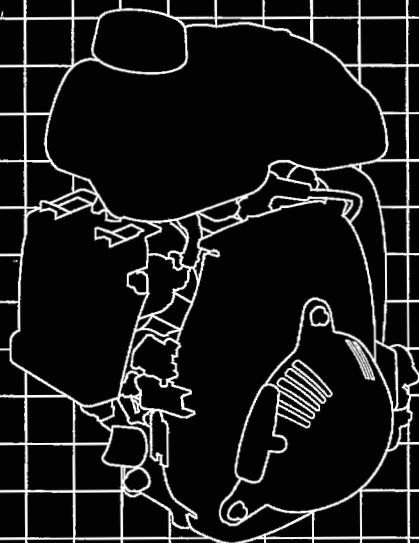
# **HONDA**

---

# **E N G I N E S**

## **Owner's Manual**

### **GXH50**





## **WARNING:**



The engine exhaust from this product contains chemicals known to the State of California to cause cancer, birth defects or other reproductive harm.

Keep this owner's manual handy, so you can refer to it at any time. This owner's manual is considered a permanent part of the engine and should remain with the engine if resold.

The information and specifications included in this publication were in effect at the time of approval for printing. Honda Motor Co., Ltd. reserves the right, however, to discontinue or change specifications or design at any time without notice and without incurring any obligation whatever. No part of this publication may be reproduced without written permission.

# INTRODUCTION

Congratulations on your selection of a Honda engine. We are certain you will be pleased with your purchase of one of the finest engines on the market.

We want to help you get the best results from your new engine and to operate it safely. This manual contains the information on how to do that; please read it carefully.

As you read this manual, you will find information preceded by a **NOTICE** symbol. That information is intended to help you avoid damage to your engine, other property, or the environment.

We suggest you read the warranty policy to fully understand its coverage and your responsibilities of ownership. The warranty policy is a separate document that should have been given to you by your dealer.

When your engine needs scheduled maintenance, keep in mind that your Honda servicing dealer is specially trained in servicing Honda engines. Your Honda servicing dealer is dedicated to your satisfaction and will be pleased to answer your questions and concerns.

Best Wishes,  
Honda Motor Co., Ltd.

# INTRODUCTION

---


## A FEW WORDS ABOUT SAFETY

Your safety and the safety of others are very important. And using this engine safely is an important responsibility.

To help you make informed decisions about safety, we have provided operating procedures and other information on labels and in this manual. This information alerts you to potential hazards that could hurt you or others.

Of course, it is not practical or possible to warn you about all the hazards associated with operating or maintaining an engine. You must use your own good judgment.

You will find important safety information in a variety of forms, including:

- **Safety Messages** — preceded by a safety alert symbol  and one of three signal words, DANGER, WARNING, or CAUTION.

These signal words mean:

 **DANGER**

You WILL be KILLED or SERIOUSLY HURT if you don't follow instructions.

 **WARNING**

You CAN be KILLED or SERIOUSLY HURT if you don't follow instructions.

 **CAUTION**

You CAN be HURT if you don't follow instructions.

- **Safety Headings** — such as *IMPORTANT SAFETY INFORMATION*.
- **Safety Section** — such as *ENGINE SAFETY*.
- **Instructions** — how to use this engine correctly and safely.

This entire book is filled with important safety information — please read it carefully.

# CONTENTS

ENGINE SAFETY .....	5
IMPORTANT SAFETY INFORMATION .....	5
CONTROLS & FEATURES .....	7
COMPONENT & CONTROL LOCATIONS .....	7
CONTROLS .....	8
Fuel Valve Lever .....	8
Ignition Switch .....	9
Choke Lever .....	10
Throttle Lever .....	11
Recoil Starter Grip .....	12
FEATURES .....	13
Oil Alert System (applicable engine types) .....	13
BEFORE OPERATION .....	14
IS YOUR ENGINE READY TO GO? .....	14
Check the General Condition of the Engine .....	14
Check the Engine .....	15
Check the Equipment Powered by This Engine .....	15
OPERATION .....	16
SAFE OPERATING PRECAUTIONS .....	16
STARTING THE ENGINE .....	16
STOPPING THE ENGINE .....	19
SETTING ENGINE SPEED .....	20
SERVICING YOUR HONDA ENGINE .....	21
THE IMPORTANCE OF MAINTENANCE .....	21
MAINTENANCE SAFETY .....	22
MAINTENANCE SCHEDULE .....	23
REFUELING .....	24
FUEL RECOMMENDATIONS .....	25
ENGINE OIL LEVEL CHECK .....	26
ENGINE OIL CHANGE .....	27
ENGINE OIL RECOMMENDATIONS .....	29

# CONTENTS

---

SERVICING YOUR HONDA ENGINE (continued)	
AIR FILTER INSPECTION .....	30
AIR FILTER CLEANING .....	31
SPARK PLUG SERVICE .....	32
SPARK ARRESTER SERVICE .....	34
HELPFUL TIPS & SUGGESTIONS .....	36
STORING YOUR ENGINE .....	36
Storage Preparation .....	36
Storage Precautions .....	40
Removal From Storage .....	40
TRANSPORTING .....	41
TAKING CARE OF UNEXPECTED PROBLEMS .....	42
ENGINE WILL NOT START .....	42
ENGINE LACKS POWER .....	42
TECHNICAL & CONSUMER INFORMATION .....	43
TECHNICAL INFORMATION .....	43
Serial Number Location .....	43
Carburetor Modification for High Altitude Operation .....	44
Oxygenated Fuels .....	45
Emission Control System Information .....	46
Air Index .....	48
Specifications .....	49
Wiring Diagram .....	50
CONSUMER INFORMATION .....	51
Honda Publications .....	51
Warranty Service Information .....	52
QUICK REFERENCE INFORMATION .....	Inside back cover

# ENGINE SAFETY

## IMPORTANT SAFETY INFORMATION

Most accidents with engines can be prevented if you follow all instructions in this manual and on the engine. Some of the most common hazards are discussed below, along with the best way to protect yourself and others.

### Owner Responsibilities

- Honda engines are designed to give safe and dependable service if operated according to instructions. Read and understand this owner's manual before operating the engine. Failure to do so could result in personal injury or equipment damage.
- Know how to stop the engine quickly, and understand the operation of all controls. Never permit anyone to operate the engine without proper instructions.
- Do not allow children to operate the engine. Keep children and pets away from the area of operation.

### Refuel With Care

Gasoline is extremely flammable, and gasoline vapor can explode. Refuel outdoors, in a well-ventilated area, with the engine stopped. Never smoke near gasoline, and keep other flames and sparks away. Always store gasoline in an approved container. If any fuel is spilled, make sure the area is dry before starting the engine.

### Hot Exhaust

- The muffler becomes very hot during operation and remains hot for a while after stopping the engine. Be careful not to touch the muffler while it is hot. Let the engine cool before storing it indoors.
- To prevent fire hazards and to provide adequate ventilation for stationary equipment applications, keep the engine at least 3 feet (1 meter) away from building walls and other equipment during operation. Do not place flammable objects close to the engine.



# **ENGINE SAFETY**

---

## **Carbon Monoxide Hazard**

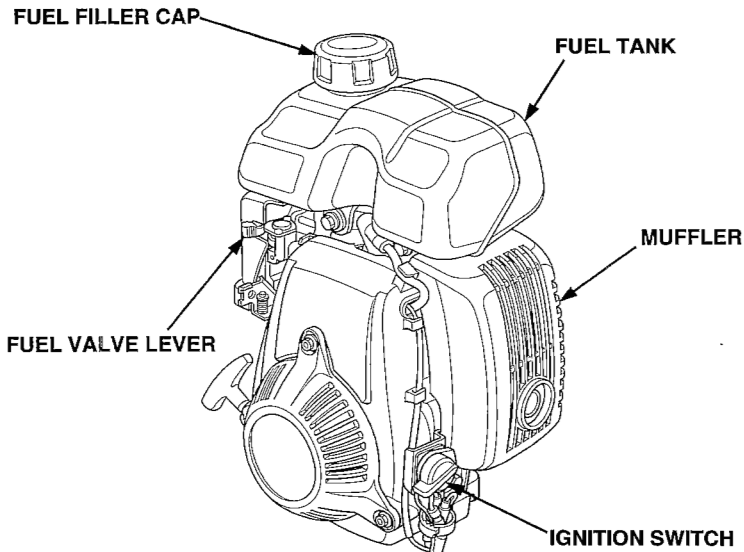
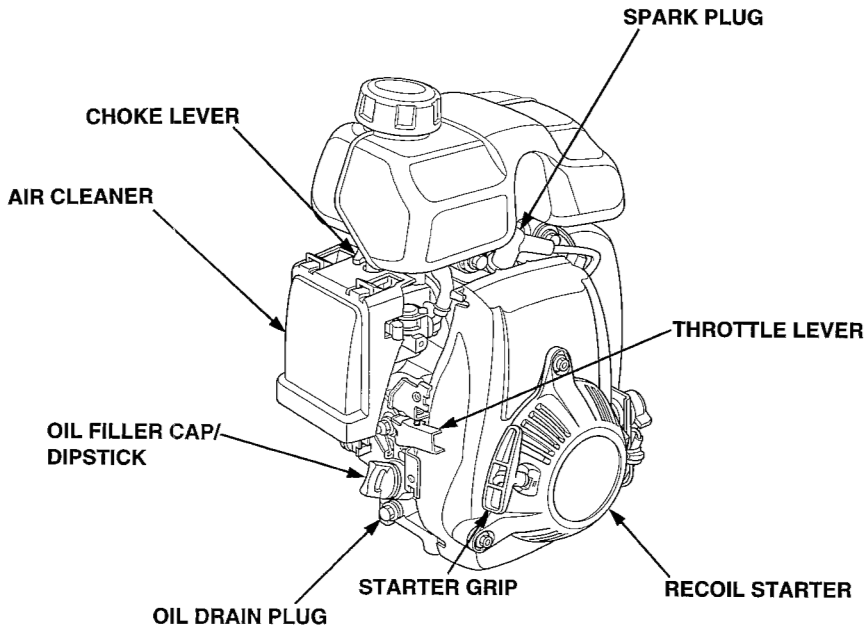
Exhaust gas contains poisonous carbon monoxide. Avoid inhalation of exhaust gas. Never run the engine in a closed garage or confined area.

## **Other Equipment**

Review the instructions provided with the equipment powered by this engine for any additional safety precautions that should be observed in conjunction with engine startup, shutdown, or operation, or protective apparel that may be needed to operate the equipment.

# CONTROLS & FEATURES

## COMPONENT & CONTROL LOCATIONS



# CONTROLS & FEATURES

---

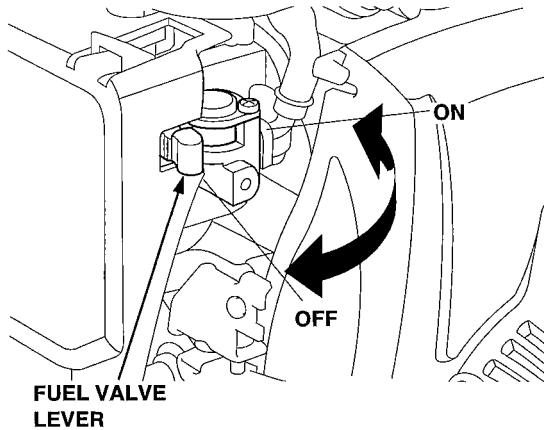
## CONTROLS

### Fuel Valve Lever

The fuel valve opens and closes the passage between the fuel tank and the carburetor.

The fuel valve lever must be in the ON position for the engine to run.

When the engine is not in use or being transported, leave the fuel valve lever in the OFF position to prevent carburetor flooding and to reduce the possibility of fuel leakage.



# CONTROLS & FEATURES

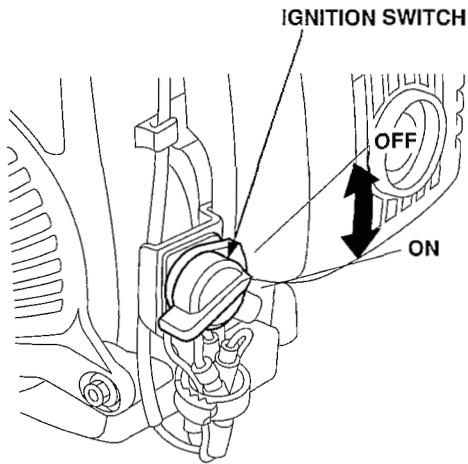
---

## Ignition Switch

The ignition switch enables and disables the ignition system.

The ignition switch must be in the ON position for the engine to run.

Turning the ignition switch to the OFF position stops the engine.



# CONTROLS & FEATURES

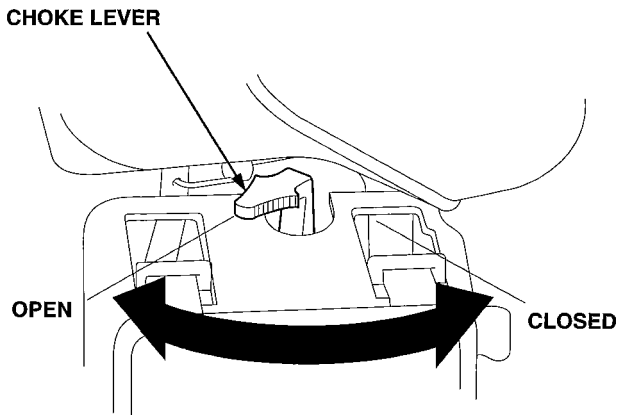
---

## Choke Lever

The choke lever opens and closes the choke valve in the carburetor.

The CLOSED position enriches the fuel mixture for starting a cold engine.

The OPEN position provides the correct fuel mixture for operation after starting, and for restarting a warm engine.



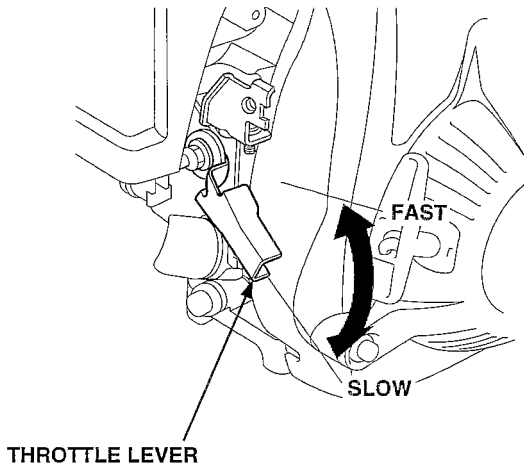
# CONTROLS & FEATURES

---

## Throttle Lever

The throttle lever controls engine speed.

Moving the throttle lever in the directions shown makes the engine run faster or slower.

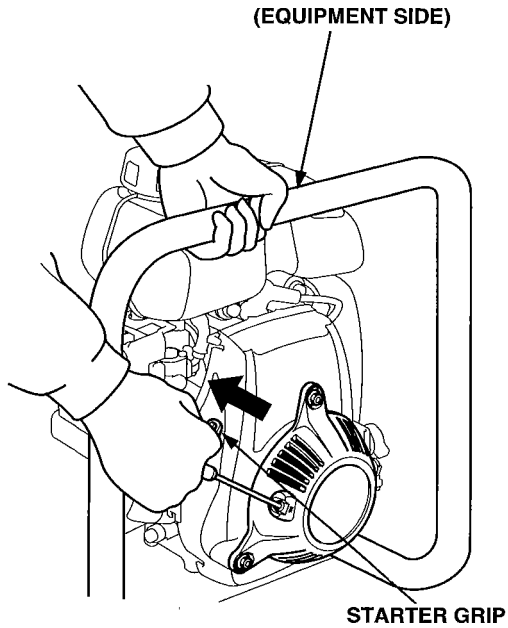


# CONTROLS & FEATURES

---

## Recoil Starter Grip

Pulling the starter grip operates the recoil starter to crank the engine.



## FEATURES

### **Oil Alert® System (applicable engine types)**

The Oil Alert® system is designed to prevent engine damage caused by an insufficient amount of oil in the crankcase. Before the oil level in the crankcase can fall below a safe limit, the Oil Alert® system will automatically stop the engine (the ignition switch will remain in the ON position).

If the engine stops and will not restart, check the engine oil level (page 26) before troubleshooting in other areas.



# BEFORE OPERATION

## IS YOUR ENGINE READY TO GO?

For your safety, and to maximize the service life of your equipment, it is very important to take a few moments before you operate the engine to check its condition. Be sure to take care of any problem you find, or have your servicing dealer correct it, before you operate the engine.

### **⚠ WARNING**

**Improperly maintaining this engine, or failing to correct a problem before operation, could cause a malfunction in which you could be seriously injured.**

**Always perform a preoperation inspection before each operation, and correct any problem.**

Before beginning your preoperation checks, be sure the engine is level and the ignition switch is in the OFF position.

### **Check the General Condition of the Engine**

- Look around and underneath the engine for signs of oil or gasoline leaks.
- Remove any accumulated dirt or debris, especially around the muffler and recoil starter.
- Look for signs of damage.
- Check that all shields and covers are in place, and all nuts, bolts, and screws are tightened.

## Check the Engine

- Check the engine oil level (see page 26). Running the engine with a low oil level can cause engine damage.

The Oil Alert system (applicable engine types) will automatically stop the engine before the oil level falls below safe limits. However, to avoid the inconvenience of an unexpected shutdown, always check the engine oil level before startup.

- Check the air filter (see page 30). A dirty air filter will restrict air flow to the carburetor, reducing engine performance.
- Check the fuel level. Starting with a full tank will help to eliminate or reduce operating interruptions for refueling.

## Check the Equipment Powered by This Engine

Review the instructions provided with the equipment powered by this engine for any precautions and procedures that should be followed before engine startup.

# OPERATION

## SAFE OPERATING PRECAUTIONS

Before operating the engine for the first time, please review the *IMPORTANT SAFETY INFORMATION* on page 5 and the chapter titled *BEFORE OPERATION*.

### **⚠ WARNING**

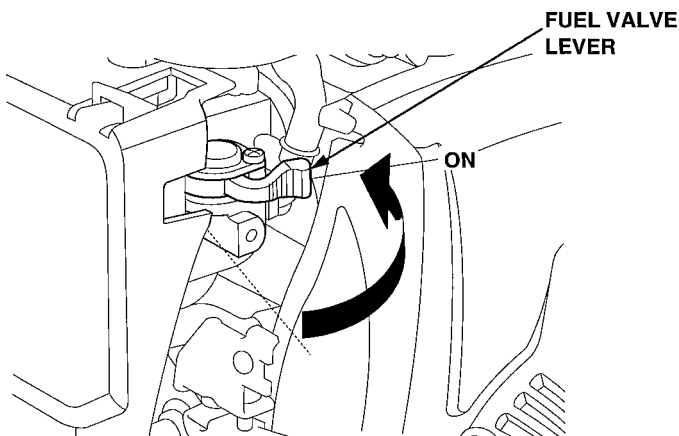
**Carbon monoxide gas is toxic. Breathing it can cause unconsciousness and even kill you.**

**Avoid any areas or actions that expose you to carbon monoxide.**

Review the instructions provided with the equipment powered by this engine for any safety precautions that should be observed in conjunction with engine startup, shutdown, or operation.

## STARTING THE ENGINE

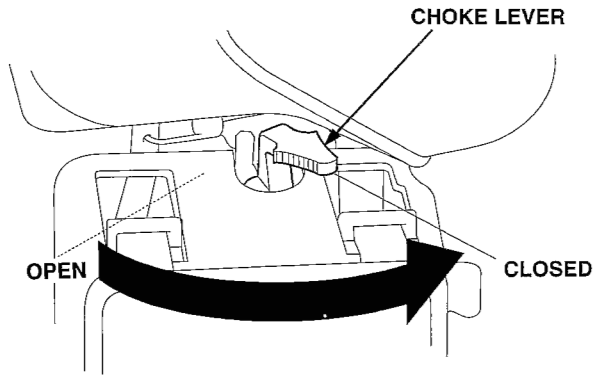
1. Move the fuel valve lever to the ON position.



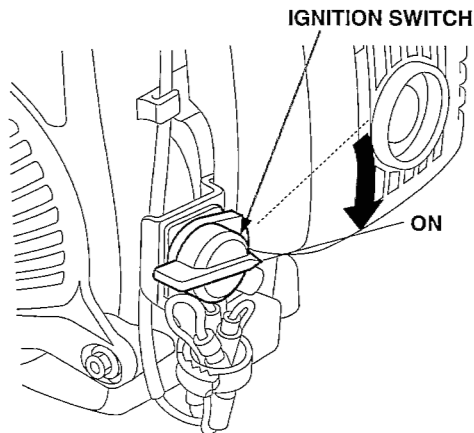
# OPERATION

2. To start a cold engine, move the choke lever to the CLOSED position.

To restart a warm engine, leave the choke lever in the OPEN position.



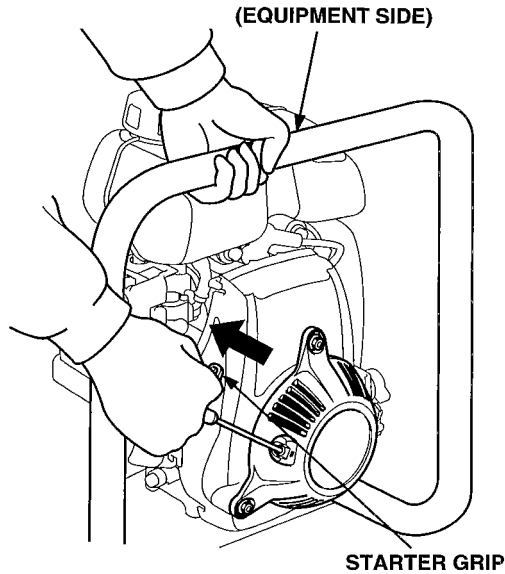
3. Turn the ignition switch to the ON position.



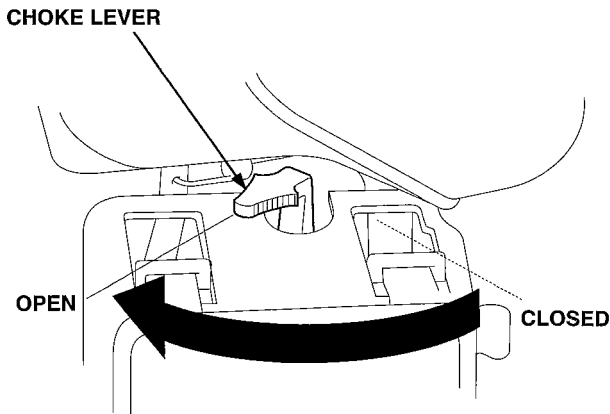
# OPERATION

---

4. Pull the starter grip lightly until you feel resistance, then pull briskly. Return the starter grip gently.



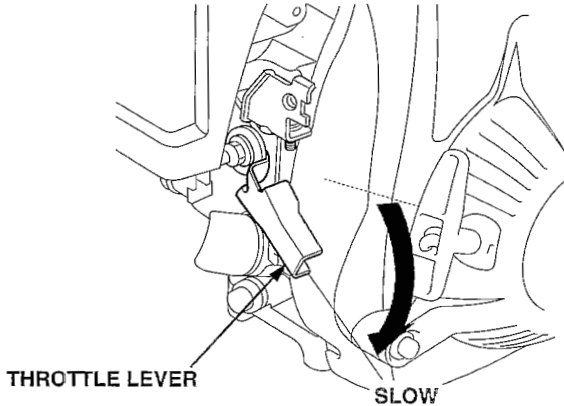
5. If the choke lever was moved to the CLOSED position to start the engine, gradually move it to the OPEN position as the engine warms up.



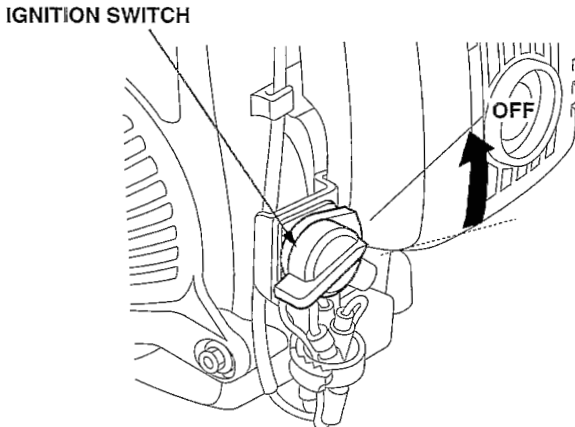
## STOPPING THE ENGINE

To stop the engine in an emergency, simply turn the ignition switch to the OFF position. Under normal conditions, use the following procedure.

1. Move the throttle lever to the SLOW position.



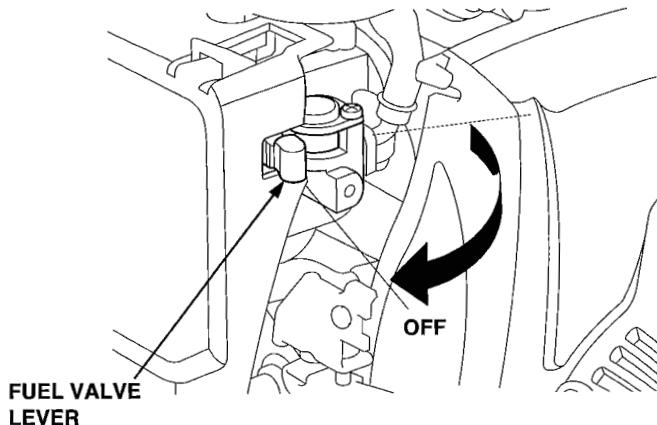
2. Turn the ignition switch to the OFF position.



# OPERATION

---

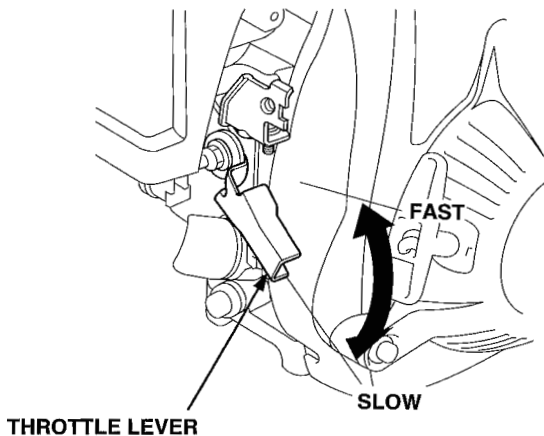
3. Move the fuel valve lever to the OFF position.



## SETTING ENGINE SPEED

Position the throttle lever for the desired engine speed.

For engine speed recommendations, refer to the instructions provided with the equipment powered by this engine.



# SERVICING YOUR HONDA ENGINE

## THE IMPORTANCE OF MAINTENANCE

Good maintenance is essential for safe, economical, and trouble-free operation. It will also help reduce air pollution.

### **WARNING**

**Improperly maintaining this engine, or failure to correct a problem before operation, can cause a malfunction in which you can be seriously hurt or killed.**

**Always follow the inspection and maintenance recommendations and schedules in this owner's manual.**

To help you properly care for your engine, the following pages include a maintenance schedule, routine inspection procedures, and simple maintenance procedures using basic hand tools. Other service tasks that are more difficult, or require special tools, are best handled by professionals and are normally performed by a Honda technician or other qualified mechanic.

The maintenance schedule applies to normal operating conditions. If you operate your engine under unusual conditions, such as sustained high-load or high-temperature operation, or use in unusually wet or dusty conditions, consult your servicing dealer for recommendations applicable to your individual needs and use.

**Maintenance, replacement, or repair of emission control devices and systems may be done by any engine repair establishment or individual, using parts that are “certified” to EPA standards.**



# SERVICING YOUR HONDA ENGINE

---

## MAINTENANCE SAFETY

Some of the most important safety precautions follow. However, we cannot warn you of every conceivable hazard that can arise in performing maintenance. Only you can decide whether or not you should perform a given task.

### **⚠ WARNING**

**Failure to properly follow maintenance instructions and precautions can cause you to be seriously hurt or killed.**

**Always follow the procedures and precautions in the owner's manual.**

## Safety Precautions

- Make sure the engine is off before you begin any maintenance or repairs. This will eliminate several potential hazards:
  - **Carbon monoxide poisoning from engine exhaust.**  
Be sure there is adequate ventilation whenever you operate the engine.
  - **Burns from hot parts.**  
Let the engine and exhaust system cool before touching.
  - **Injury from moving parts.**  
Do not run the engine unless instructed to do so.
- Read the instructions before you begin, and make sure you have the tools and skills required.
- To reduce the possibility of fire or explosion, be careful when working around gasoline. Use only a nonflammable solvent, not gasoline, to clean parts. Keep cigarettes, sparks, and flames away from all fuel-related parts.

Remember that your servicing dealer knows your engine best and is fully equipped to maintain and repair it.

To ensure the best quality and reliability, use only new, genuine Honda parts or their equivalents for repair and replacement.

# SERVICING YOUR HONDA ENGINE

## MAINTENANCE SCHEDULE

REGULAR SERVICE PERIOD (1)		ITEM	Before each use	First month or 10 Hrs.	Every 3 months or 25 Hrs.	Every 6 months or 50 Hrs.	Every 100 Hrs.	Every 2 years or After each 300 Hrs.	Refer to page	
Perform at every indicated month or operating hour interval, whichever comes first.										
•	Engine oil	Check	○						26	
		Change		○		○ (3)			27	
•	Air filter	Check	○						30	
		Clean			○ (2)				31	
•	Spark plug	Clean-Adjust					○		32	
		Replace						○		
	Spark arrester (Optional part)	Clean					○		34	
•	Fuel tank and filter	Clean					○ (4)		—	
•	Idle speed	Check-Adjust					○ (4)		—	
•	Valve clearance	Check-Adjust						○ (4)	—	
•	Combustion chamber	Clean						○ (4)	—	
•	Fuel tube	Check	Every 2 years (Replace if necessary) (4)							—

- Emission-related items.

- (1) For commercial use, log hours of operation to determine proper maintenance intervals.
- (2) Service more frequently when used in dusty areas.
- (3) Change engine oil every 25 hours when used under heavy load or in high ambient temperatures.
- (4) These items should be serviced by your servicing dealer, unless you have the proper tools and are mechanically proficient. Refer to the Honda shop manual for service procedures.

# SERVICING YOUR HONDA ENGINE

---

## REFUELING

**Fuel tank capacity**  
**0.32 US gal (1.2 ℓ)**

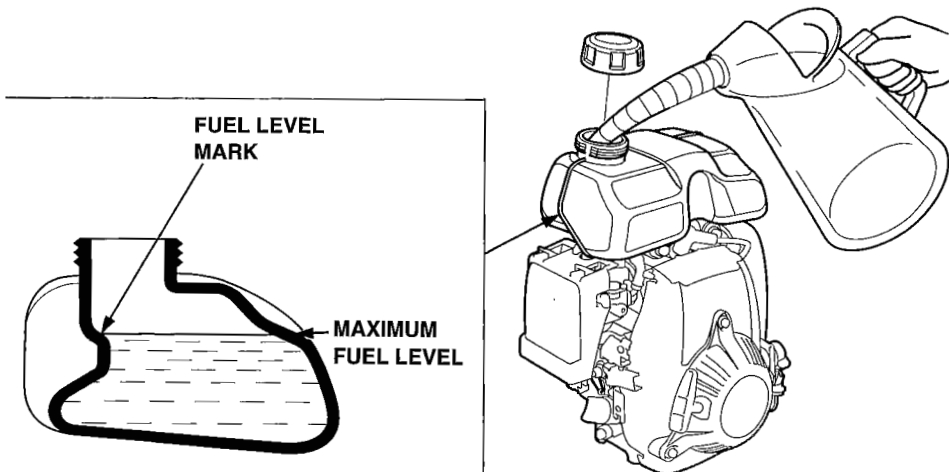
With the engine stopped, remove the fuel tank cap and check the fuel level. Refill the tank if the fuel level is low.

### **⚠ WARNING**

**Gasoline is highly flammable and explosive.**

**You can be burned or seriously injured when handling fuel.**

- **Stop the engine and keep heat, sparks, and flame away.**
- **Handle fuel only outdoors.**
- **Wipe up spills immediately.**



# SERVICING YOUR HONDA ENGINE

---

Refuel in a well-ventilated area before starting the engine. If the engine has been running, allow it to cool. Refuel carefully to avoid spilling fuel. Do not fill above the fuel level mark. After refueling, tighten the fuel tank cap securely.

Never refuel the engine inside a building where gasoline fumes may reach flames or sparks. Keep gasoline away from appliance pilot lights, barbecues, electric appliances, power tools, etc.

Spilled fuel is not only a fire hazard, it causes environmental damage. Wipe up spills immediately.

## NOTICE

Fuel can damage paint and plastic. Be careful not to spill fuel when filling your fuel tank. Damage caused by spilled fuel is not covered under warranty.

## FUEL RECOMMENDATIONS

**Use unleaded gasoline with a pump octane rating of 86 or higher.**

These engines are certified to operate on unleaded gasoline. Unleaded gasoline produces fewer engine and spark plug deposits and extends exhaust system life.

Never use stale or contaminated gasoline or an oil/gasoline mixture. Avoid getting dirt or water in the fuel tank.

Occasionally you may hear a light “spark knock” or “pinging” (metallic rapping noise) while operating under heavy loads. This is no cause for concern.

If spark knock or pinging occurs at a steady engine speed, under normal load, change brands of gasoline. If spark knock or pinging persists, see an authorized Honda servicing dealer.

## NOTICE

Running the engine with persistent spark knock or pinging can cause engine damage.

Running the engine with persistent spark knock or pinging is misuse, and the *Distributor's Limited Warranty* does not cover parts damaged by misuse.

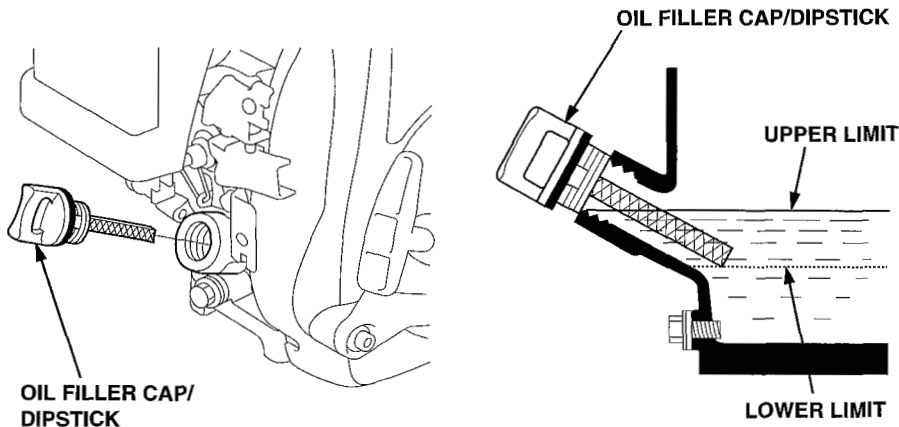
# SERVICING YOUR HONDA ENGINE

---

## ENGINE OIL LEVEL CHECK

Check the engine oil level with the engine stopped and in a level position.

1. Remove the oil filler cap/dipstick and wipe it clean.
2. Insert and remove the dipstick without screwing it into the filler neck. Check the oil level shown on the dipstick.
3. If the oil level is low, fill to the edge of the oil filler hole with the recommended oil (see page 29).
4. Reinstall the oil filler cap/dipstick.



### NOTICE

Running the engine with a low oil level can cause engine damage.

The Oil Alert system (applicable engine types) will automatically stop the engine before the oil level falls below safe limits. However, to avoid the inconvenience of an unexpected shutdown, always check the engine oil level before startup.

# SERVICING YOUR HONDA ENGINE

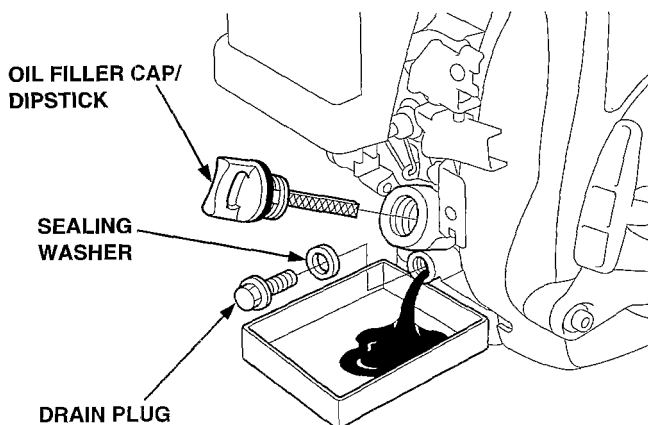
---

## ENGINE OIL CHANGE

Drain the used oil while the engine is warm. Warm oil drains quickly and completely.

1. Place a suitable container below the engine to catch the used oil, then remove the oil filler cap/dipstick and the drain plug.
2. Allow the used oil to drain completely, then reinstall the drain plug, sealing washer, and tighten it securely.

Please dispose of used motor oil in a manner that is compatible with the environment. We suggest you take used oil in a sealed container to your local recycling center or service station for reclamation. Do not throw it in the trash, pour it on the ground, or down a drain.



# SERVICING YOUR HONDA ENGINE

---

3. With the engine in a level position, fill to the outer edge of the oil filler hole with the recommended oil (see page 29).

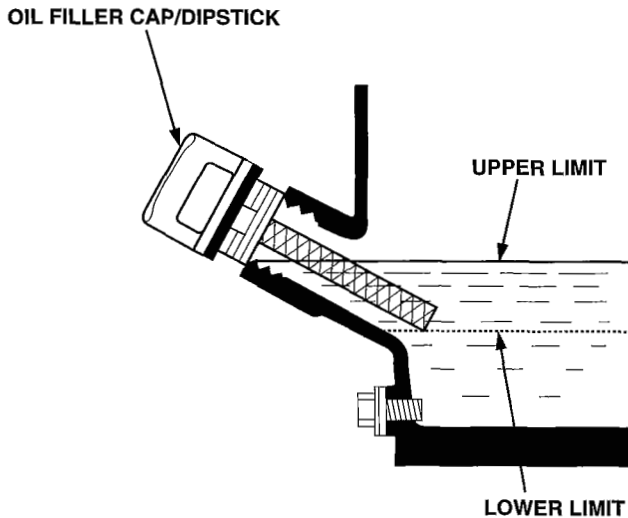
Engine oil capacity: 0.26 US qt (0.25 ℓ)

**NOTICE**

Running the engine with a low oil level can cause engine damage.

The Oil Alert system (applicable engine types) will automatically stop the engine before the oil level falls below the safe limit. However, to avoid the inconvenience of an unexpected shutdown, fill to the upper limit, and check the oil level regularly.

4. Screw in the oil filler cap/dipstick securely.

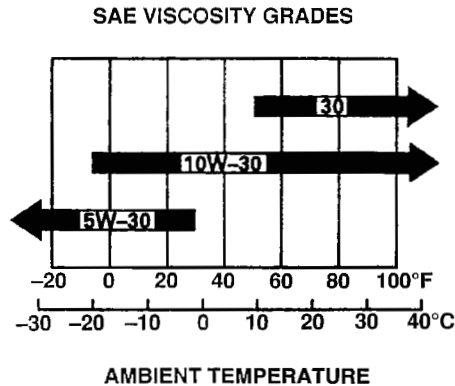


# SERVICING YOUR HONDA ENGINE

## ENGINE OIL RECOMMENDATIONS

Oil is a major factor affecting performance and service life. Use 4-stroke automotive detergent oil.

SAE 10W-30 is recommended for general use. Other viscosities shown in the chart may be used when the average temperature in your area is within the recommended range.



The SAE oil viscosity and service classification are in the API label on the oil container. Honda recommends that you use API SERVICE category SJ oil.

The recommended operating range of this engine is 5°F to 104°F (-15°C to 40°C).



# SERVICING YOUR HONDA ENGINE

---

## AIR FILTER INSPECTION

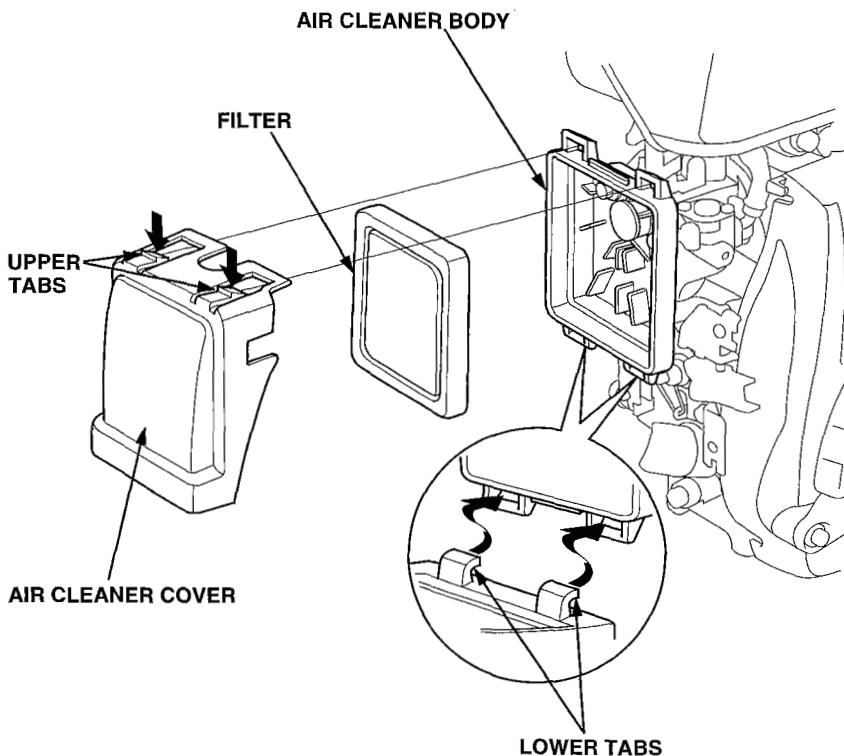
Press the latch tabs on the top of the air cleaner cover, and remove the cover. Check the filter to be sure it is clean and in good condition.

If the filter is dirty, clean it as described on page 31. Replace the filter if it is damaged.

Reinstall the filter and air cleaner cover.

### NOTICE

Operating the engine without an air filter, or with a damaged air filter, will allow dirt to enter the engine, causing rapid engine wear. This type of damage is not covered by the *Distributor's Limited Warranty*.

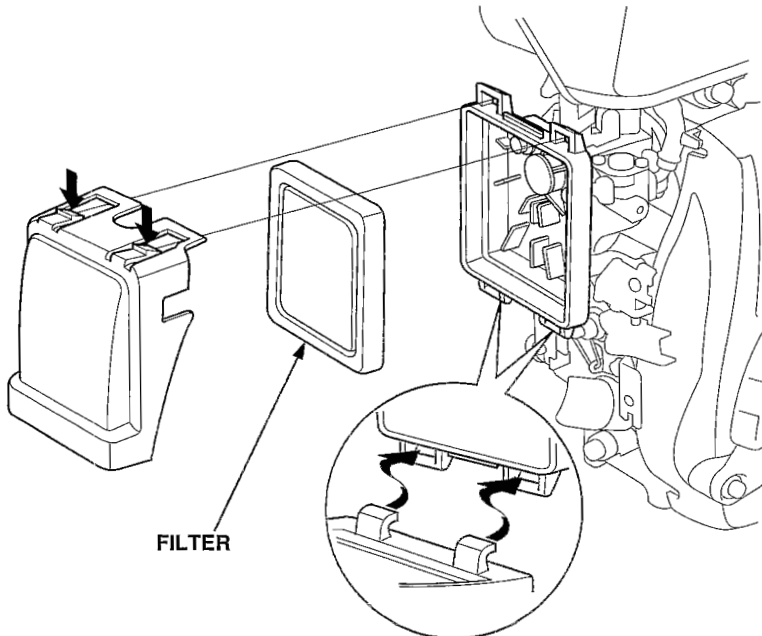


# SERVICING YOUR HONDA ENGINE

## AIR FILTER CLEANING

A dirty air filter will restrict air flow to the carburetor, reducing engine performance. If you operate the engine in very dusty areas, clean the air filter more than specified in the MAINTENANCE SCHEDULE.

1. Clean the air filter in warm soapy water, rinse, and allow to dry thoroughly. Or clean in nonflammable solvent and allow to dry.
2. Dip the air filter in clean engine oil, then squeeze out all excess oil. The engine will smoke when started if too much oil is left in the foam.
3. Wipe dirt from the air cleaner body and cover, using a moist rag. Be careful to prevent dirt from entering the carburetor.



# SERVICING YOUR HONDA ENGINE

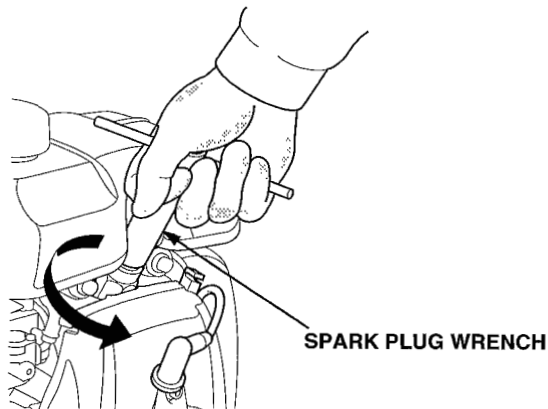
## SPARK PLUG SERVICE

Recommended spark plug: CR5HSB (NGK)  
U16FSR-UB (DENSO)

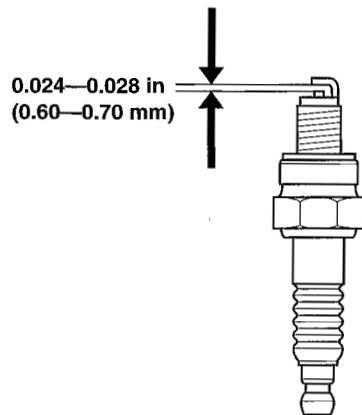
### NOTICE

An incorrect spark plug can cause engine damage.

1. Disconnect the spark plug cap, and remove any dirt from around the spark plug area.
2. Remove the spark plug with a 5/8-inch spark plug wrench.



3. Inspect the spark plug. Replace it if the electrodes are worn, or if the insulator is cracked or chipped. Clean the spark plug with a wire brush if you are going to reuse it.
4. Measure the spark plug electrode gap with a suitable gauge. The gap should be 0.024—0.028 in (0.60—0.70 mm). Correct the gap, if necessary, by carefully bending the side electrode.
5. Install the spark plug carefully, by hand, to avoid cross-threading.



## SERVICING YOUR HONDA ENGINE

---

6. After the spark plug seats, tighten with a 5/8-inch spark plug wrench to compress the washer.

If reinstalling the used spark plug, tighten 1/8—1/4 turn after the spark plug seats.

If installing a new spark plug, tighten 1/2 turn after the spark plug seats.

### **NOTICE**

A loose spark plug can overheat and damage the engine.

Overtightening the spark plug can damage the threads in the cylinder head.

7. Attach the spark plug cap.

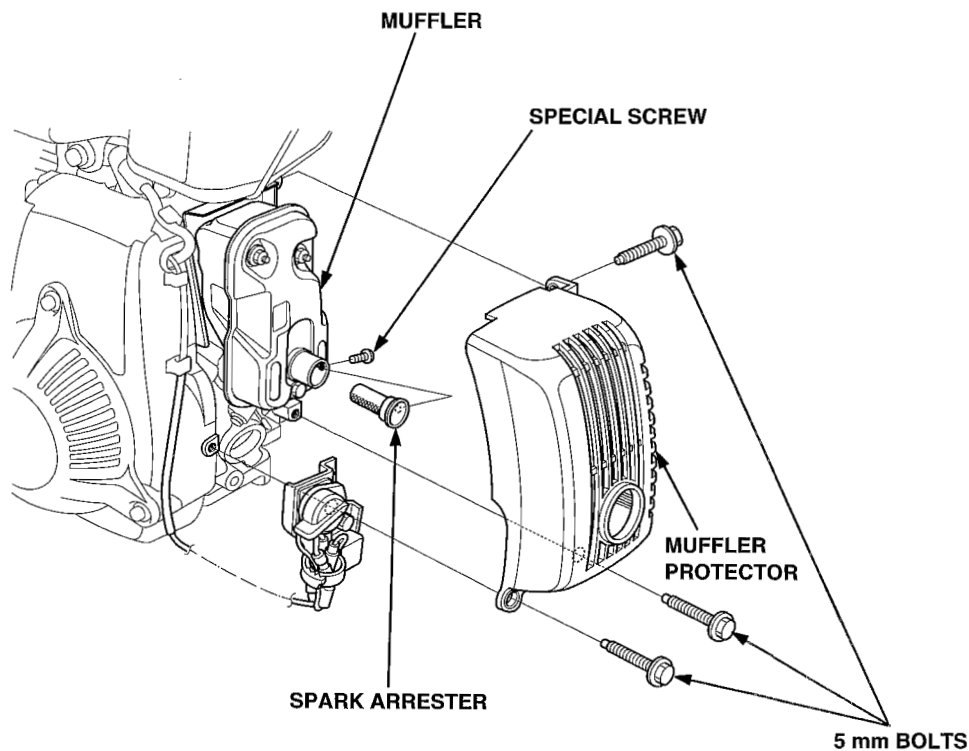
# SERVICING YOUR HONDA ENGINE

## SPARK ARRESTER SERVICE (optional equipment)

The spark arrester must be serviced every 100 hours to keep it functioning as designed.

If the engine has been running, the muffler will be very hot. Allow the muffler to cool before servicing the spark arrester.

1. Remove the three 5 mm bolts from the muffler protector, and remove the muffler protector.
2. Remove the special screw from the spark arrester, and remove the spark arrester from the muffler.

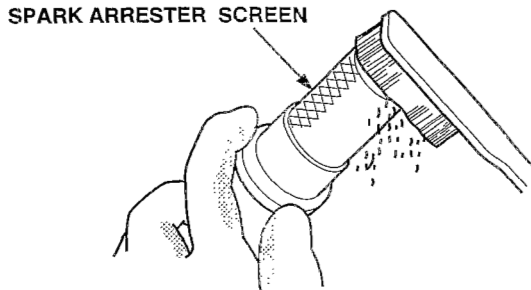


## SERVICING YOUR HONDA ENGINE

---

3. Use a brush to remove carbon deposits from the spark arrester screen. Be careful to avoid damaging the screen.

The spark arrester must be free of breaks and holes. Replace the spark arrester if it is damaged.



4. Install the spark arrester, and muffler protector in the reverse order of disassembly.

# HELPFUL TIPS & SUGGESTIONS

## STORING YOUR ENGINE

### Storage Preparation

Proper storage preparation is essential for keeping your engine troublefree and looking good. The following steps will help to keep rust and corrosion from impairing your engine's function and appearance, and will make the engine easier to start when you use it again.

#### *Cleaning*

If the engine has been running, allow it to cool for at least half an hour before cleaning. Clean all exterior surfaces, touch up any damaged paint, and coat other areas that may rust with a light film of oil.

#### **NOTICE**

- Using a garden hose or pressure washing equipment can force water into the air cleaner or muffler opening. Water in the air cleaner will soak the air filter, and water that passes through the air filter or muffler can enter the cylinder, causing damage.
- Water contacting a hot engine can cause damage. If the engine has been running, allow it to cool for at least half an hour before washing.

#### *Fuel*

Gasoline will oxidize and deteriorate in storage. Old gasoline will cause hard starting, and it leaves gum deposits that clog the fuel system. If the gasoline in your engine deteriorates during storage, you may need to have the carburetor and other fuel system components serviced or replaced.

The length of time that gasoline can be left in your fuel tank and carburetor without causing functional problems will vary with such factors as gasoline blend, your storage temperatures, and whether the fuel tank is partially or completely filled. The air in a partially filled fuel tank promotes fuel deterioration. Very warm storage/temperatures accelerate fuel deterioration. Fuel deterioration problems may occur within a few months, or even less if the gasoline was not fresh when you filled the fuel tank.

## **HELPFUL TIPS & SUGGESTIONS**

---

The Distributor's Limited Warranty does not cover fuel system damage or engine performance problems resulting from neglected storage preparation.

You can extend fuel storage life by adding a fuel stabilizer that is formulated for that purpose, or you can avoid fuel deterioration problems by draining the fuel tank and carburetor.

### **ADDING A FUEL STABILIZER TO EXTEND FUEL STORAGE LIFE**

When adding a fuel stabilizer, fill the fuel tank with fresh gasoline. If only partially filled, air in the tank will promote fuel deterioration during storage. If you keep a container of gasoline for refueling, be sure that it contains only fresh gasoline.

1. Add fuel stabilizer following the manufacturer's instructions.
2. After adding a fuel stabilizer, run the engine outdoors for 10 minutes to be sure that treated gasoline has replaced the untreated gasoline in the carburetor.
3. Stop the engine, and move the fuel valve lever to the OFF position.



# HELPFUL TIPS & SUGGESTIONS

## DRAINING THE FUEL TANK AND CARBURETOR

1. Move the fuel valve lever to the ON position.
2. **Carburetor equipped with a drain hose and screw:**  
Loosen the carburetor drain screw, and drain the carburetor into an approved gasoline container. After draining is completed, tighten the carburetor drain screw.

### **Carburetor equipped with a drain bolt:**

Remove the carburetor drain bolt, and drain the carburetor into an approved gasoline container. After draining is completed, install the carburetor drain bolt.

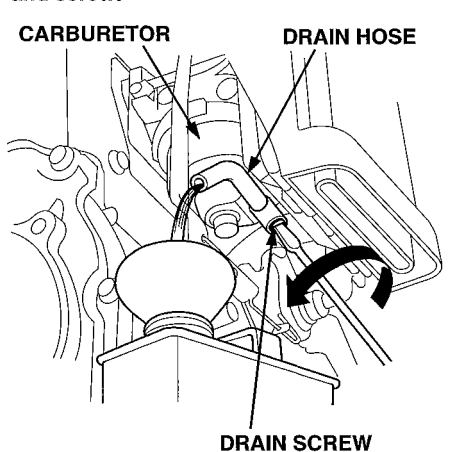
**⚠ WARNING**

**Gasoline is highly flammable and explosive.**

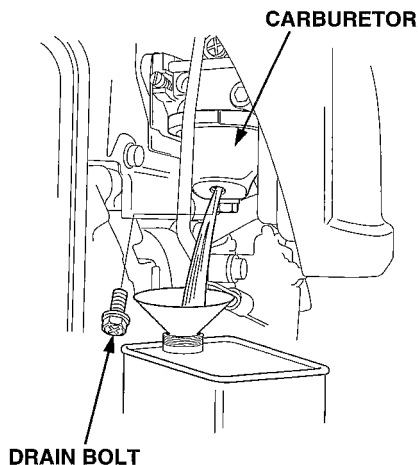
**You can be burned or seriously injured when handling fuel.**

- **Keep heat, sparks, and flame away.**
- **Handle fuel only outdoors.**
- **Wipe up spills immediately.**

Carburetor equipped with a drain hose and screw:



Carburetor equipped with a drain bolt:



## HELPFUL TIPS & SUGGESTIONS

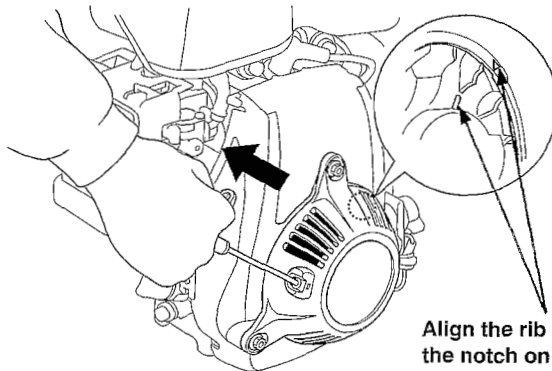
---

### *Engine Oil*

Change the engine oil (see page 27).

### *Engine Cylinder*

1. Remove the spark plug (see page 32).
2. Pour a tablespoon (5—10 cc) of clean engine oil into the cylinder.
3. Pull the starter rope several times to distribute the oil in the cylinder.
4. Reinstall the spark plug.
5. Pull the starter rope slowly until resistance is felt and the rib on the flywheel aligns with the notch on the fan cover. This will close the valves so moisture cannot enter the engine cylinder. Return the starter rope gently.



Align the rib on the flywheel with the notch on the fan cover.

## HELPFUL TIPS & SUGGESTIONS

---

### Storage Precautions

If your engine will be stored with gasoline in the fuel tank and carburetor, it is important to reduce the hazard of gasoline vapor ignition. Select a well-ventilated storage area away from any appliance that operates with a flame, such as a furnace, water heater, or clothes dryer. Also avoid any area with a spark-producing electric motor, or where power tools are operated.

If possible, avoid storage areas with high humidity, because that promotes rust and corrosion.

Position the equipment so the engine is level. Tilting can cause fuel or oil leakage.

With the engine and exhaust system cool, cover the engine to keep out dust. A hot engine and exhaust system can ignite or melt some materials. Do not use sheet plastic as a dust cover. A nonporous cover will trap moisture around the engine, promoting rust and corrosion.

### Removal From Storage

Check your engine as described in the *BEFORE OPERATION* chapter of this manual.

If the fuel was drained during storage preparation, fill the tank with fresh gasoline. If you keep a container of gasoline for refueling, be sure that it contains only fresh gasoline. Gasoline oxidizes and deteriorates over time, causing hard starting.

If the cylinder was coated with oil during storage preparation, the engine may smoke briefly at startup. This is normal.

# HELPFUL TIPS & SUGGESTIONS

---

## TRANSPORTING

If the engine has been running, allow it to cool for at least 15 minutes before loading the engine-powered equipment on the transport vehicle. A hot engine and exhaust system can burn you and can ignite some materials.

Keep the engine level when transporting to reduce the possibility of fuel leakage. Turn the fuel valve lever to the OFF position.

# TAKING CARE OF UNEXPECTED PROBLEMS

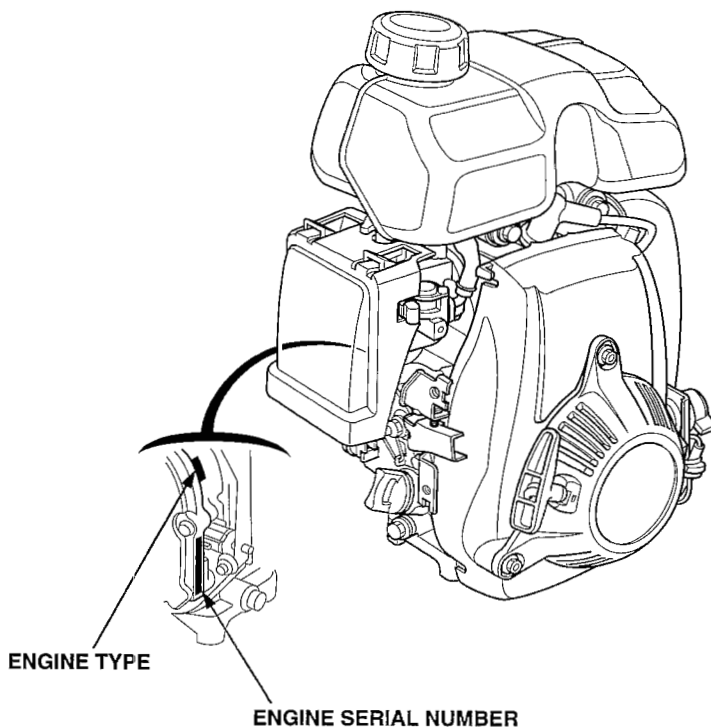
<b>ENGINE WILL NOT START</b>	<b>Possible Cause</b>	<b>Correction</b>
1. Check control positions.	Fuel valve OFF.	Move the fuel valve lever to ON position (p. 8).
	Choke open.	Move the choke lever to CLOSED unless engine is warm.
	Ignition switch OFF.	Turn the ignition switch to ON position (p. 9).
2. Check fuel.	Out of fuel.	Refuel.
	Bad fuel; engine stored without treating or draining gasoline, or refueled with bad gasoline.	Drain fuel tank and carburetor (p. 38). Refuel with fresh gasoline.
3. Remove and inspect spark plug.	Spark plug faulty, fouled, or improperly gapped.	Clean, gap, or replace spark plug (p. 32).
	Spark plug wet with fuel (flooded engine).	Dry and reinstall spark plug. Start engine with throttle lever in FAST position.
4. Take engine to an authorized Honda servicing dealer, or refer to shop manual.	Fuel filter clogged, carburetor malfunction, ignition malfunction, valves stuck, etc.	Replace or repair faulty components as necessary.

<b>ENGINE LACKS POWER</b>	<b>Possible Cause</b>	<b>Correction</b>
1. Check air filter.	Filter clogged.	Clean or replace filter (p. 31).
2. Check fuel.	Bad fuel; engine stored without treating or draining gasoline, or refueled with bad gasoline.	Drain fuel tank and carburetor (p. 38). Refuel with fresh gasoline.
3. Take engine to an authorized Honda servicing dealer, or refer to shop manual.	Fuel filter clogged, carburetor malfunction, ignition malfunction, valves stuck, etc.	Replace or repair faulty components as necessary.

# TECHNICAL & CONSUMER INFORMATION

## TECHNICAL INFORMATION

### Serial Number Location



Record the engine serial number in the space below. You will need this serial number when ordering parts, and when making technical or warranty inquiries (see page 52).

Engine serial number: \_\_\_\_\_

# TECHNICAL & CONSUMER INFORMATION

---

## Carburetor Modification for High Altitude Operation

At high altitude, the standard carburetor air-fuel mixture will be too rich. Performance will decrease, and fuel consumption will increase. A very rich mixture will also foul the spark plug and cause hard starting.

High altitude performance can be improved by specific modifications to the carburetor. If you always operate your engine at altitudes above 5,000 feet (1,500 meters), have your servicing dealer perform this carburetor modification.

Even with carburetor modification, engine horsepower will decrease about 3.5% for each 1,000-foot (300-meter) increase in altitude. The effect of altitude on horsepower will be greater than this if no carburetor modification is made.

### NOTICE

When the carburetor has been modified for high altitude operation, the air-fuel mixture will be too lean for low altitude use. Operation at altitudes below 5,000 feet (1,500 meters) with a modified carburetor may cause the engine to overheat and result in serious engine damage. For use at low altitudes, have your servicing dealer return the carburetor to original factory specifications.

# TECHNICAL & CONSUMER INFORMATION

---

## Oxygenated Fuels

Some conventional gasolines are being blended with alcohol or an ether compound. These gasolines are collectively referred to as oxygenated fuels. To meet clean air standards, some areas of the United States and Canada use oxygenated fuels to help reduce emissions.

If you use an oxygenated fuel, be sure it is unleaded and meets the minimum octane rating requirement.

Before using an oxygenated fuel, try to confirm the fuel's contents. Some states/provinces require this information to be posted on the pump.

The following are the EPA approved percentages of oxygenates:

**ETHANOL** — (ethyl or grain alcohol) 10% by volume  
You may use gasoline containing up to 10% ethanol by volume. Gasoline containing ethanol may be marketed under the name "Gasohol".

**MTBE** — (methyl tertiary butyl ether) 15% by volume  
You may use gasoline containing up to 15% MTBE by volume.

**METHANOL** — (methyl or wood alcohol) 5% by volume  
You may use gasoline containing up to 5% methanol by volume, as long as it also contains cosolvents and corrosion inhibitors to protect the fuel system. Gasoline containing more than 5% methanol by volume may cause starting and/or performance problems. It may also damage metal, rubber, and plastic parts of your fuel system.

If you notice any undesirable operating symptoms, try another service station, or switch to another brand of gasoline.

Fuel system damage or performance problems resulting from the use of an oxygenated fuel containing more than the percentages of oxygenates mentioned above are not covered under warranty.



# TECHNICAL & CONSUMER INFORMATION

---

## Emission Control System Information

### *Source of Emissions*

The combustion process produces carbon monoxide, oxides of nitrogen, and hydrocarbons. Control of hydrocarbons and oxides of nitrogen is very important because, under certain conditions, they react to form photochemical smog when subjected to sunlight. Carbon monoxide does not react in the same way, but it is toxic.

Honda utilizes lean carburetor settings and other systems to reduce the emissions of carbon monoxide, oxides of nitrogen, and hydrocarbons.

### *The U.S. and California Clean Air Acts*

EPA and California regulations require all manufacturers to furnish written instructions describing the operation and maintenance of emission control systems.

The following instructions and procedures must be followed in order to keep the emissions from your Honda engine within the emission standards.

### *Tampering and Altering*

Tampering with or altering the emission control system may increase emissions beyond the legal limit. Among those acts that constitute tampering are:

- Removal or alteration of any part of the intake, fuel, or exhaust systems.
- Altering or defeating the governor linkage or speed-adjusting mechanism to cause the engine to operate outside its design parameters.

# TECHNICAL & CONSUMER INFORMATION

---

## ***Problems That May Affect Emissions***

If you are aware of any of the following symptoms, have your engine inspected and repaired by your servicing dealer.

- Hard starting or stalling after starting.
- Rough idle.
- Misfiring or backfiring under load.
- Afterburning (backfiring).
- Black exhaust smoke or high fuel consumption.

## ***Replacement Parts***

The emission control systems on your Honda engine were designed, built, and certified to conform with EPA and California emission regulations. We recommend the use of genuine Honda parts whenever you have maintenance done. These original-design replacement parts are manufactured to the same standards as the original parts, so you can be confident of their performance. The use of replacement parts that are not of the original design and quality may impair the effectiveness of your emission control system.

A manufacturer of an aftermarket part assumes the responsibility that the part will not adversely affect emission performance. The manufacturer or rebuilder of the part must certify that use of the part will not result in a failure of the engine to comply with emission regulations.

## ***Maintenance***

Follow the maintenance schedule on page 23. Remember that this schedule is based on the assumption that your machine will be used for its designed purpose. Sustained high-load or high-temperature operation, or use in unusually wet or dusty conditions, will require more frequent service.

# TECHNICAL & CONSUMER INFORMATION

---

## Air Index

An Air Index Information hang tag/label was applied to this engine in accordance with the requirements of the California Air Resources Board.

The bar graph is intended to provide you, our customer, the ability to compare the emissions performance of available engines. The lower the Air Index, the less pollution.

The durability description is intended to provide you with information relating to the engine's emission durability period. The descriptive term indicates the useful-life period for the engine's emission control system. See your *Emission Control Warranty* for additional information.

Descriptive Term	Applicable to Emissions Durability Period
Moderate	50 hours (0—65 cc) 125 hours (greater than 65 cc)
Intermediate	125 hours (0—65 cc) 250 hours (greater than 65 cc)
Extended	300 hours (0—65 cc) 500 hours (greater than 65 cc)

The Air Index Information hang tag must remain on the engine until it is sold. Remove the hang tag before operating the engine.

# TECHNICAL & CONSUMER INFORMATION

## Specifications

### GXH50-SXA Type

Length × Width × Height	8.9 × 10.8 × 13.9 in (225 × 274 × 353 mm)
Dry weight	12.1 lb (5.5 kg)
Engine type	4-stroke, overhead valve, single cylinder
Displacement [Bore × Stroke]	3.0 cu-in (49 cm <sup>3</sup> ) [1.65 × 1.42 in (41.8 × 36.0 mm)]
Max. output	2.5 bhp (1.8 kW, 2.5 PS) at 7,000 rpm
Max. torque	2.2 ft-lb (3.04 N•m, 0.31 kg-m) at 4,500 rpm
Fuel consumption	0.55 lb/hph (340 g/kWh, 250 g/PSh)
Cooling system	Forced air
Ignition system	Transistorized magneto
PTO shaft rotation	Counterclockwise

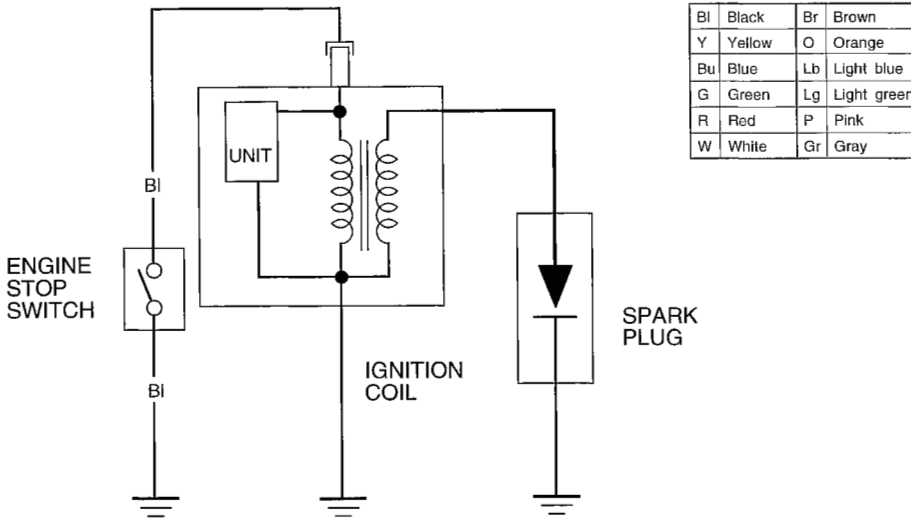
## Tuneup

ITEM	SPECIFICATION	MAINTENANCE
Spark plug gap	0.024—0.028 in (0.60—0.70 mm)	Refer to page: 32
Valve clearance (cold)	IN: 0.08 ± 0.02 mm EX: 0.11 ± 0.02 mm	See your authorized Honda dealer
Other specifications	No other adjustments needed.	

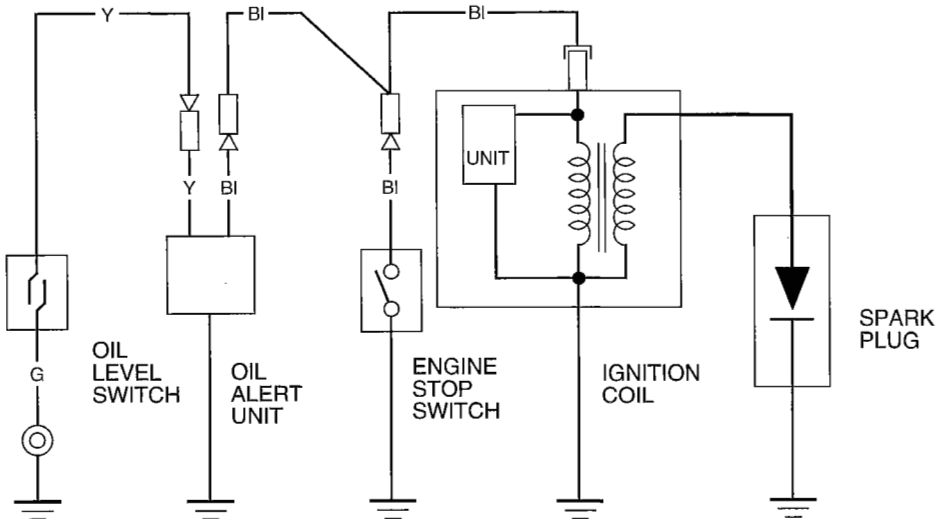
# TECHNICAL & CONSUMER INFORMATION

## Wiring Diagram

### Without Oil Alert



### With Oil Alert



# TECHNICAL & CONSUMER INFORMATION

---

## CONSUMER INFORMATION

### **Honda Publications**

These publications will give you additional information for maintaining and repairing your engine. You may order them from your Honda engine dealer.

#### ***Shop Manual***

This manual covers complete maintenance and overhaul procedures. It is intended to be used by a skilled technician.

#### ***Parts Catalog***

This manual provides complete, illustrated parts lists.

# TECHNICAL & CONSUMER INFORMATION

---

## Warranty Service Information

Servicing dealership personnel are trained professionals. They should be able to answer any question you may have. If you encounter a problem that your dealer does not solve to your satisfaction, please discuss it with the dealership's management. The Service Manager or General Manager can help. Almost all problems are solved in this way.

If you are dissatisfied with the decision made by the dealership's management, contact the Honda Power Equipment Customer Relations Office. You can write to:

American Honda Motor Co., Inc.  
Power Equipment Division  
Customer Relations Office  
4900 Marconi Drive  
Alpharetta, Georgia 30005-8847

Or telephone: (770) 497-6400

When you write or call, please give us this information:

- Model and serial number (see page 43)
- Name of dealer who sold the engine to you
- Name and address of dealer who services your engine
- Date of purchase
- Your name, address, and telephone number
- A detailed description of the problem

## QUICK REFERENCE INFORMATION

Fuel	Type	Unleaded gasoline with a pump octane rating of 86 or higher (page 25)
	Capacity	0.32 US gal (1.2 ℓ)
Engine Oil	Type	SAE 10W-30, API SJ, for general use (page 29)
	Capacity	0.26 US qt (0.25 ℓ)
Spark Plug	Type	NGK: CR5HSB, DENSO: U16FSR-UB
	Gap	0.024 – 0.028 in (0.60 – 0.70 mm) (page 32)
Carburetor	Idle speed	2,500 ± 200 rpm
Maintenance	Before each use	Check engine oil level. Check air filter.
	First 10 hours	Change engine oil.
	Subsequent	Refer to the maintenance schedule on page 23.



**HONDA**

**PROPERTY OF  
SERVICE  
COMMUNICATIONS**

31ZM7601  
00X31-ZM7-6010

**EM3**

AH 英 Y 4009907  
PRINTED IN JAPAN