

# SPIDER-MAN 3

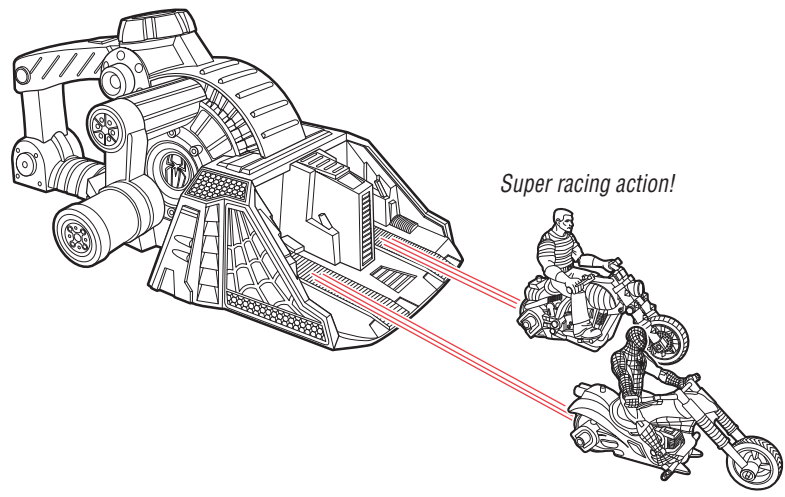
**AGES 4+**  
69196/69129 Asst.

Your WEBWORLD RACERS also work with:

## NEW GOBLIN™ Spider Slayer

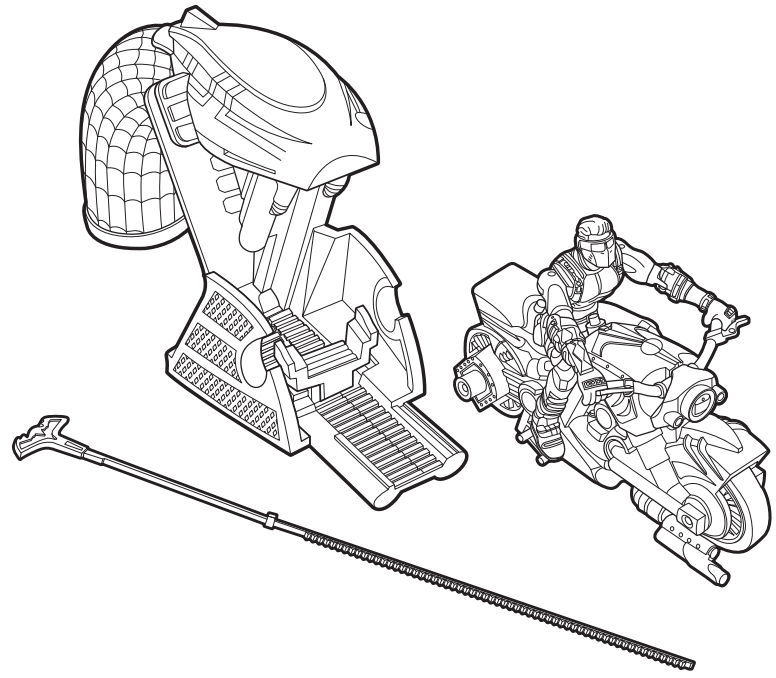
**CAUTION:**  
Hair entanglement may result if child's hair comes in contact with moving parts of toy. Adult supervision is required.

### WEBWORLD RACERS FACE-OFF



*Super racing action!*

Sold separately.



**P/N: 6666860000**



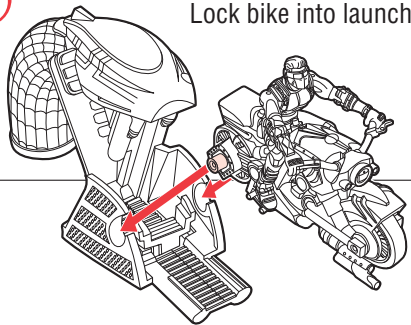
Not suitable for children under 3 years because of small parts — choking hazard.

Spider-Man and all related characters and the distinctive likeness thereof: TM & © 2007 Marvel Characters, Inc.  
Spider-Man 3, the Movie: TM & © 2007 Columbia Pictures Industries, Inc. All rights reserved.  
[www.marvel.com](http://www.marvel.com)  
®\* and/or TM\* & © 2007 Hasbro. All Rights Reserved.  
TM & ® denote U.S. Trademarks.



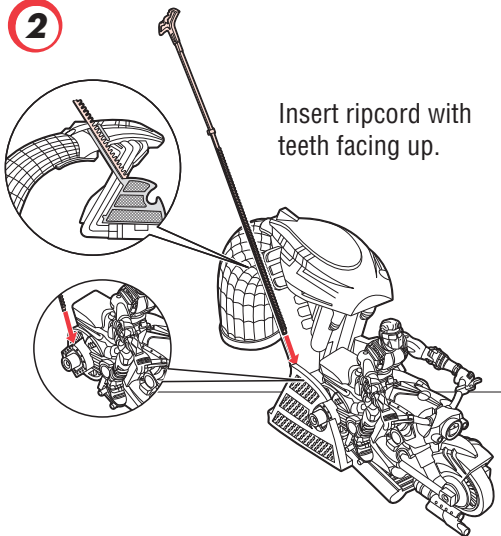
1

Lock bike into launcher.



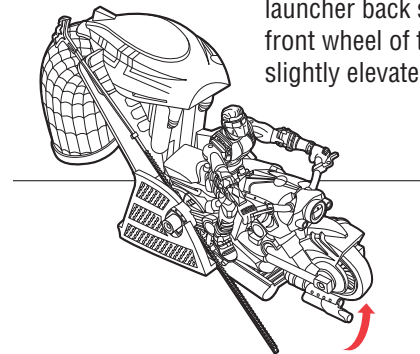
2

Insert ripcord with teeth facing up.



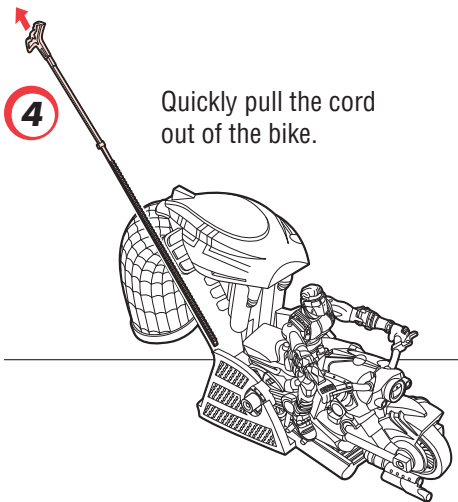
3

Holding the launcher and bike near the floor, tilt the launcher back so that the front wheel of the bike is slightly elevated.



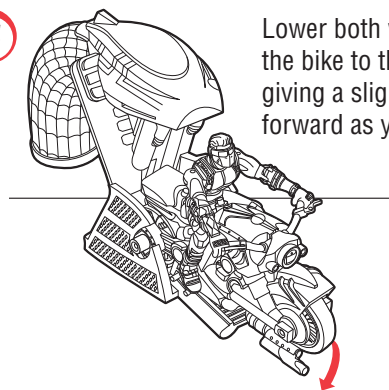
4

Quickly pull the cord out of the bike.



5

Lower both wheels of the bike to the floor, giving a slight push forward as you do so.



The bike will launch and race away!

