



# BOSCH

**WZ45N Integrated Day/Night IR Dome**

## INSTRUCTION MANUAL

Before installing and using the camera, please read this manual carefully. Be sure to keep it handy for later reference.

## Important Safety Instructions

1. Read these instructions.
2. Keep this instruction.
3. Heed all warnings.
4. Follow all instructions.
5. Do not use this apparatus near water.
6. Clean inside only with dry cloth.
7. Do not block any ventilation openings. Install in accordance with manufacturer instructions.
8. Do not install near any heat sources such as radiators, heat registers, stoves or other apparatus (including amplifiers) that produce heat.
9. Do not defeat the safety purpose of the polarized or grounding-type plug. A polarized plug has two blades with one wider than the other. A grounding type plug has two blades and a third grounding prong. The wide blade or the third prong is provided for your safety. If the provided plug does not fit into your outlet, consult an electrician for replacement of the obsolete outlet.
10. Protect the power cord from being walked on or pinched particularly at plugs, convenience receptacles, and the power where they exit from the apparatus.
11. Only use attachments/accessories specified by the manufacturer.
12. Use only with the cart, stand, tripod, bracket, or table specified by the manufacturer, or sold with the apparatus. When a cart is used, use caution when moving the cart/apparatus combination to avoid injury from tip-over.
13. Unplug this apparatus during lightning storms or when unused for long periods of time.
14. Refer all servicing to qualified service personnel. Servicing is required when the apparatus has been damaged in a way, such as power-supply cord or plug is damaged, liquid has been spilled or objects have fallen into the apparatus, the apparatus has been exposed to rain or moisture, does not operate normally, or has been dropped.

## **FCC Note**

NOTE: This equipment has been tested and found to comply with the limits for a Class B digital device, pursuant to part 15 of the FCC rules. These limits are designed to provide reasonable protection against harmful interference in a residential installation. As part of its' normal operation this device can generate radio frequency energy and if not installed and used in accordance with the installation manual may cause interference to radio communications. However, there is no guarantee that interference will not occur on a particular installation. If the device does cause interference to radio or television reception the user is encouraged to try to correct the interference by one or more of the following measures:

- 1) Fit Ferrite beads on all cable to and from the power supply box, within the box walls.
- 2) Route the composite cable between the camera and the power supply in steel conduit piping over the entire run of the cable up to and including connection to a deep conduit base fitted under the camera and a conduit fitting adaptor in the wall of the PSU box.
- 3) Contact a BOSCH Service Center for further advice.

## **CE Note**

NOTE: This equipment has been tested and found to comply with the limits for a Class A digital device, pursuant to EU Standard EN55022. In a domestic environment this product may cause radio interference in which case the user may be required to take adequate measures

## **Precautions**

- Do not modify
- Do not put objects inside the unit. Make sure that no metal objects or flammable substances enter the camera. This may cause fire, short-circuits and other damages.
- Be careful when handling the unit. To prevent damage, do not drop the camera or subject it to strong shock or vibration.
- Install the camera away from electric or magnetic fields.
- Protect the camera from humidity and dust.
- Do not subject the unit to high temperature. Be careful when installing close to ceilings, in a kitchen or a boiler room as heat rises and will affect the camera.
- Dirt can be removed from the exterior of the camera by wiping it with a clean soft moistened cloth and soft detergent solution.
- The mounting surface material must be strong enough to secure the camera.

# TROUBLESHOOTING

Before sending the camera out for repair, check the items below. If the problem persists after checking these items, contact your service center.

## ■ If no image appears.

- Is the coaxial cable attached securely?
- Are the power and voltage normal?
- Has the exposure/iris of the camera been adjusted correctly (within the OSD menu) ?
- Is there adequate illumination?

## ■ If the image is unclear

- Is the lens in focus?
- Is the lens dirty?  
Dirt of fingerprints on the lens can adversely affect the images. Gently wipe any dirt or fingerprints off the lens with a soft cloth or lens cleaning paper and cleaning fluid (commercially available).
- Is the monitor adjusted correctly?

## **WARNING:**

**TO PREVENT THE RISK OF FIRE OR ELECTRIC SHOCK,  
DO NOT EXPOSE THIS APPLIANCE TO RAIN OR  
MOISTURE.**

# Customer Support and Service

If this unit needs service, contact the nearest Bosch Security Systems Service Center for authorization to return and shipping instructions.

## Service Centers

### USA

- **Repair Center**
  - Telephone: 800-366-2283
  - Fax: 800-366-1329
  - E-mail: [repair@us.bosch.com](mailto:repair@us.bosch.com)
- **Customer Service**
  - Telephone: 888-289-0096
  - Fax: 585-223-9180
  - E-mail: [security.sales@us.bosch.com](mailto:security.sales@us.bosch.com)
- **Technical Support**
  - Telephone: 800-326-1450
  - Fax: 585-223-3508 or 717-735-6560
  - E-mail: [technical.support@us.bosch.com](mailto:technical.support@us.bosch.com)

### Canada

- Telephone: 514-738-2434
- Fax: 514-738-8480

### Europe, Middle East, Africa Region

- **Repair Center**
  - Telephone: 31 (0) 76-5721500
  - Fax: 31 (0) 76-5721413
  - E-mail: [RMADesk.STService@nl.bosch.com](mailto:RMADesk.STService@nl.bosch.com)

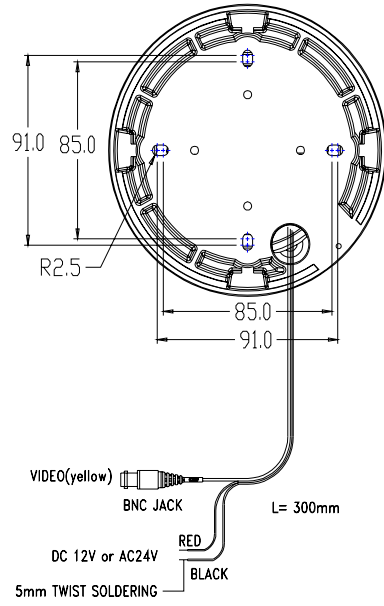
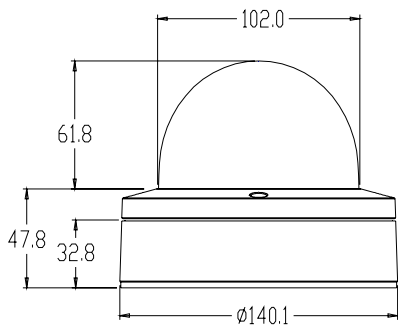
### Asia Region

- **Repair Center**
  - Telephone: 65 63522776
  - Fax: 65 63521776
  - E-mail: [rmahelpdesk@sg.bosch.com](mailto:rmahelpdesk@sg.bosch.com)
- **Customer Service**
  - Telephone: 86 (0) 756 7633117 or 86 (0) 756 7633121
  - Fax: 86 (0) 756 7631710
  - E-mail: [customer.service@cn.bosch.com](mailto:customer.service@cn.bosch.com)

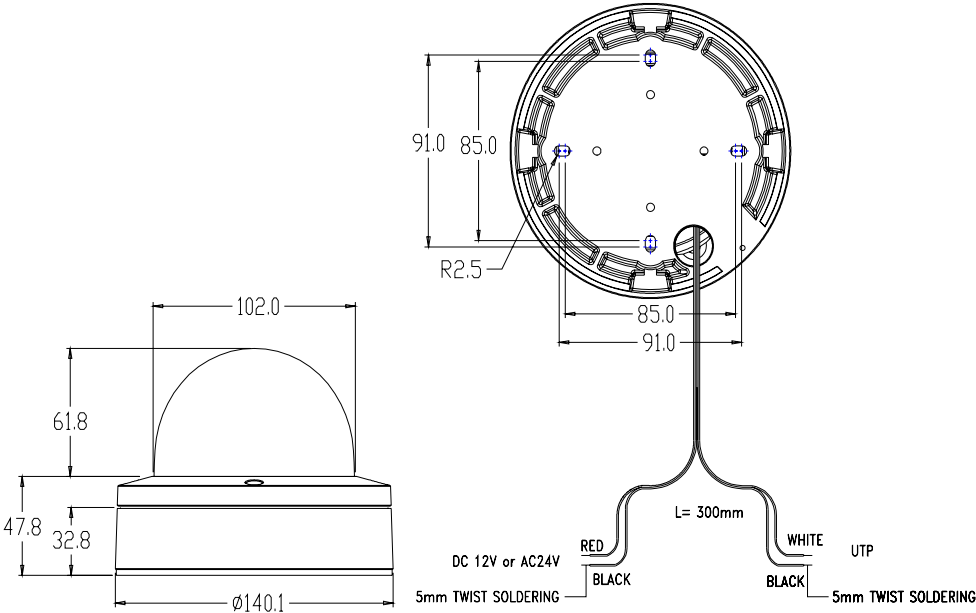
## Warranty and more information

For additional information and warranty queries, please contact your Bosch Security Systems representative or visit our Web site at [www.boschsecurity.com](http://www.boschsecurity.com).

# DIMENSIONS (mm)

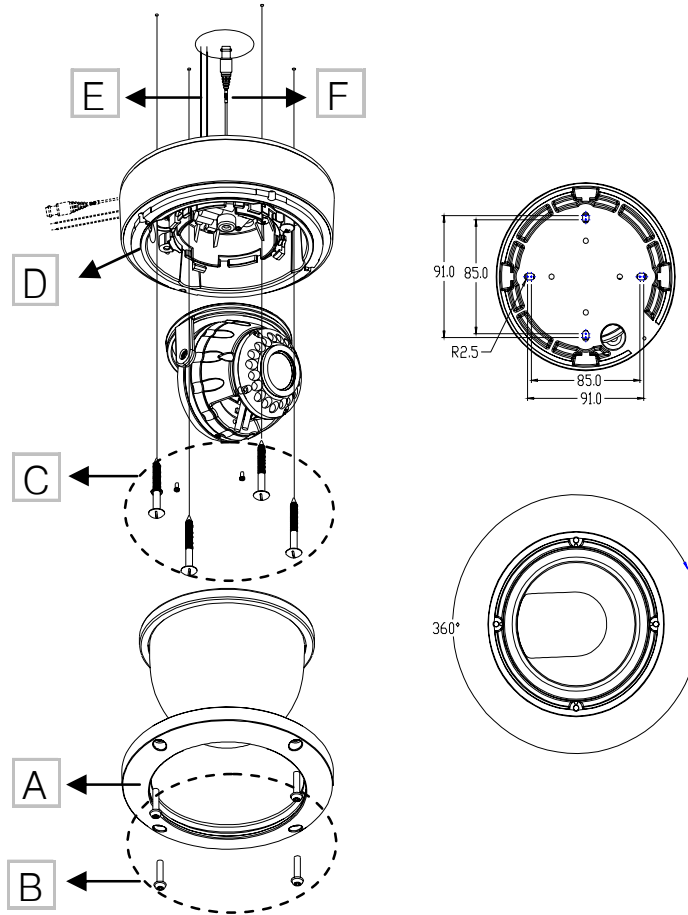


**\*UTP OUTPUT**

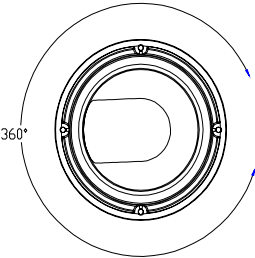
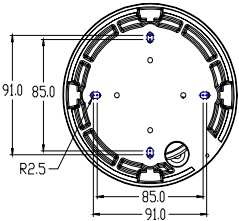
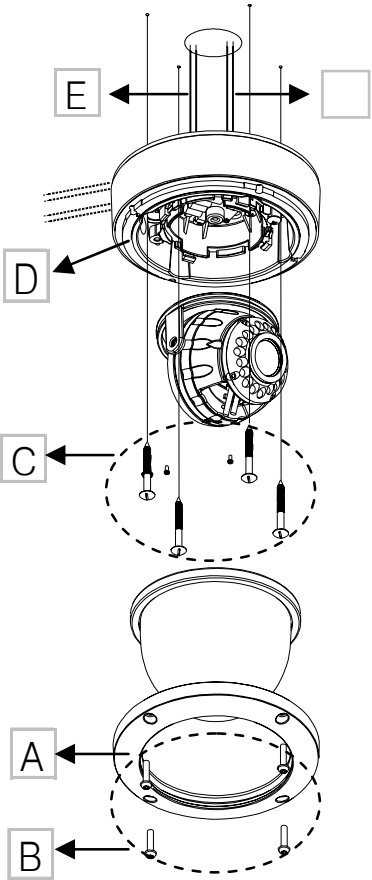




# INSTALLATION



**\*UTP OUTPUT**

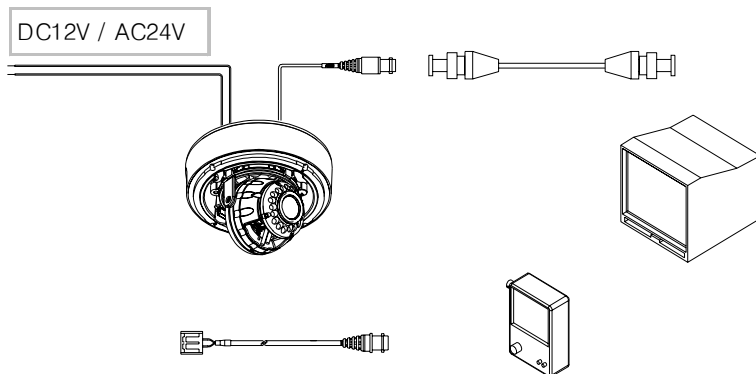


## INSTALLATION

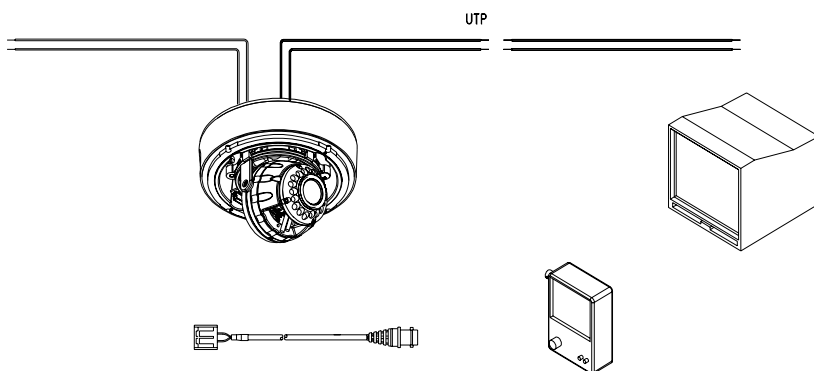
- 1 Use the supplied security tool to remove the four fixing screws (B) of dome ring (A).
- 2 Align the supplied mounting template with the surface to be mounted to, make marks on the surface in the places where the screw holes and cable hole are to be located.
- 3 Drill holes for the screws and cable hole in the surface 1inch (25mm) in diameter, for routing the cables. Alternatively the cables can pass through the side entry via the 1/2 inch NPT cable entry, ensure unit is appropriately sealed with any method used.
- 4 Pass the power cable (E) and video cable (F) or UTP cable (\*F) from the camera unit through the cable hole in the surface or out the side entry.
- 5 Align the four screw holes in the camera unit (D) with the screw holes on the mounting surface, and then secure the camera in place by fastening the four screws (C) through the camera unit into the surface.
- 6 Carry out the settings and adjustments for the camera as covered in the next sections.
- 7 Secure the dome ring (A) by tightening the screws (B) into the camera unit (D). Ensure the rubber ring between the lens and the dome cover is in place and forms a tight seal against the inside of the dome.

# CONNECTIONS AND CAMERA SETTINGS

## ■ CONNECTIONS



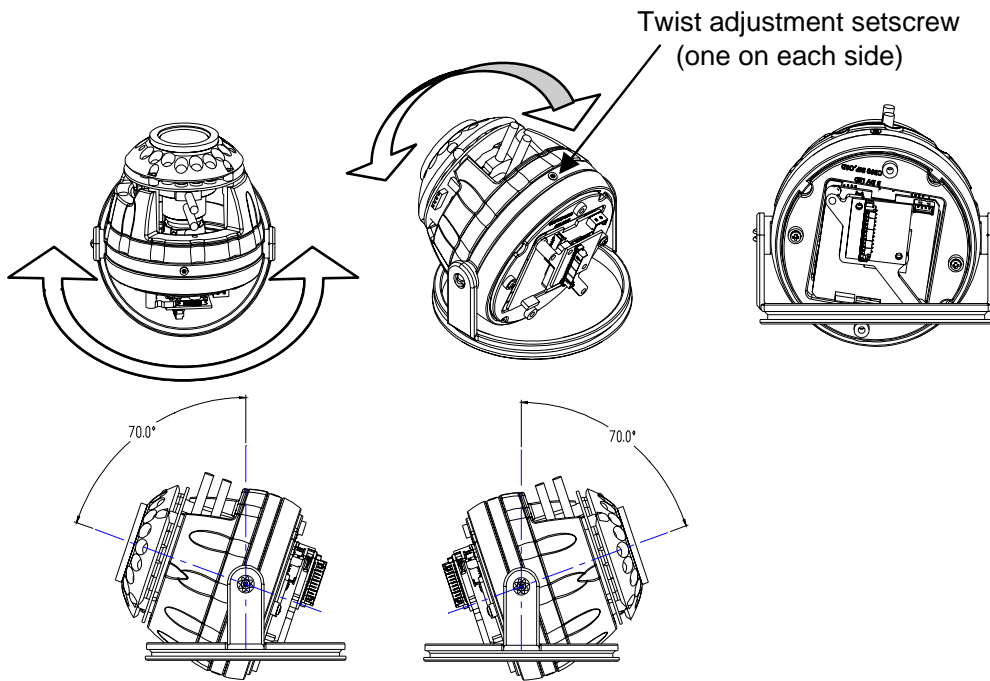
## \*UTP OUTPUT



## CAUTION :

Check for polarity when using a DC 12V power supply.









## ■ LENS ADJUSTMENTS



1. Adjust the pan ( $360^\circ$ ) and tilt ( $70^\circ$ ) position.
2. Adjust the twist position by loosening setscrews with supplied allen key and twist the camera module.
3. Set the zoom position by using the zoom thumb screw.
4. Set the focus by using the focus thumb screw.

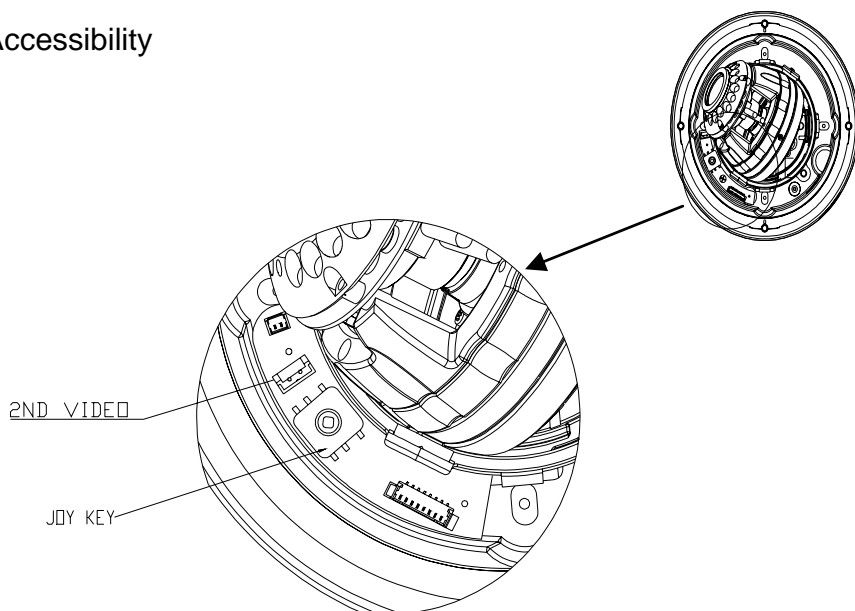
# ■ CAMERA OPERATION

## MENU

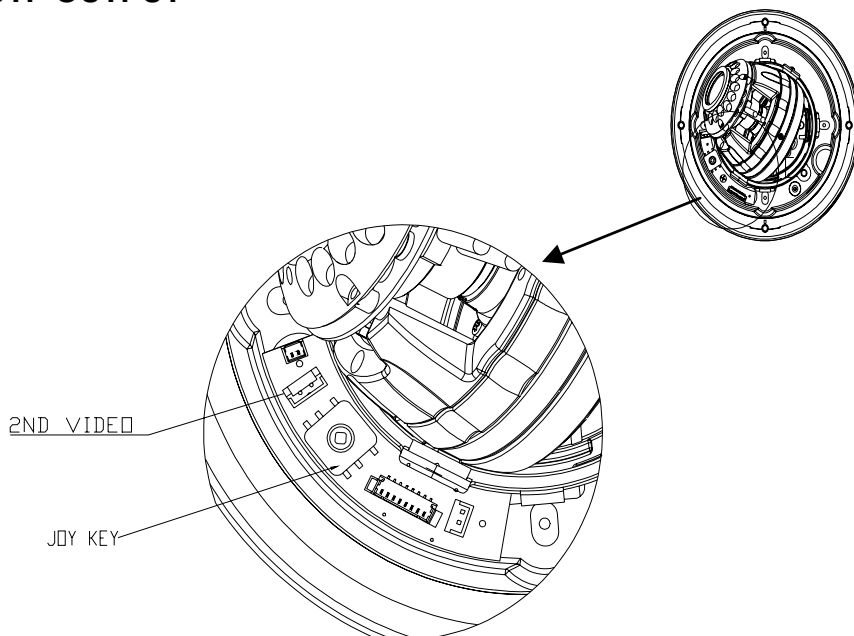
<p><b>1. EXPOSURE</b></p>  <p>LENS MANUAL/DC E. SHUTTER AUTO-1/100000 BLC AGC OFF-36dB</p>	<p><b>5. MOTION</b></p>  <p>ALRAM</p>
<p><b>2. COLOR</b></p>  <p>WB MODE AWC ATW MANUAL PUSH LOCK</p>	<p><b>6. PRIVACY</b></p>  <p>MASK 1 MASK 2 MASK 3 MASK 4 COLOR SET</p>
<p><b>3. DAY&amp;NIGHT</b></p>  <p>D&amp;N MODE AUTO COLOR B/W EX-CONT</p>	<p><b>7. SETUP</b></p>  <p>CAMERA ID TITLE EDIT TITLE RESET TITLE POSITION DPC SET LANGUAGE PC CONT.</p>
<p><b>4. FUNCTION</b></p>  <p>MIRROR SHARPNESS GAMMA SLC HME DRC</p>	<p><b>8. EXIT</b></p>  <p>EXIT SAVE &amp; EXIT FACTORY SET</p>

## ■ CAMERA OPERATION

Accessibility



## \*UTP OUTPUT



### Joystick (JOY KEY)

To access the OSD menu system press the joystick in, to navigate through the menus push the joystick to the appropriate side.

### Second video out connector (2ND VIDEO)

To verify correct view angle and change settings using a portable monitor, this connector can be utilized with the supplied adapter cable.

## ■ CAMERA OPERATION



### EXPOSURE - LENS

Select the type of lens ( MANUAL / DC)

MANUAL : Select for manual iris control. The brightness of the screen is adjustable by ELC level.



DC : Select for automatic iris control. The offset brightness of the screen is adjustable by DC level.





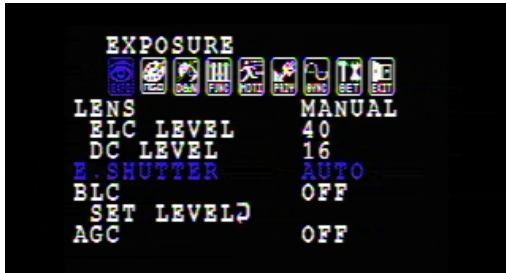
## ■ CAMERA OPERATION



### EXPOSURE - E.SHUTTER

This mode is selectable to either Auto or Fixed control for the electronic shutter.

AUTO : Set for complete automatic operation of the electronic shutter, only available when lens iris control is set to Manual.



FIXED : Set to desired minimum shutter speed, 10 levels available.  
1/50s(PAL),1/60s(NTSC),1/100s,1/250s,1/500s,1/1000s,  
1/2000s,1/4000s,1/10000s,1/100000s)



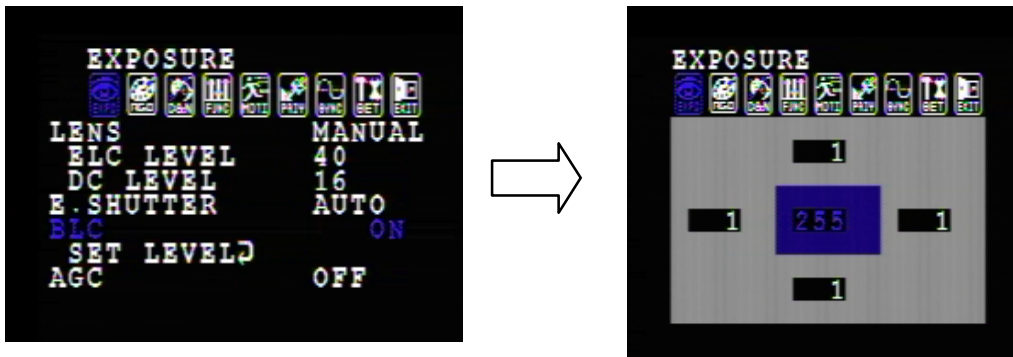
## ■ CAMERA OPERATION



### EXPOSURE - BLC (Back Light Compensation)

When there is a strong backlight in the scene, change BLC in order to get a uniform image.

By selecting "BLC ON", BLC activity area and level are adjustable in 5 sections (TOP / DOWN / CENTER / RIGHT / LEFT). Increase the level in areas desired to become brighter for compensation.



## ■ CAMERA OPERATION



### EXPOSURE - AGC (Auto Gain Control)

This function is designed to automatically adjust video gain to enhance the picture in darker scenes.

AGC is adjustable within OFF - 36dB.



## ■ CAMERA OPERATION



### COLOR - WHITE BALANCE CONTROL

Screen color is adjustable in accordance with the type of ambient light on scene.

AWC : Use this for color temperatures below 2500 °C and over 9500 °C (indoors)

ATW : Use this for color temperatures between 2500 °C and 9500 °C (outdoors)

Manual : The white balance is manually controlled.

PUSH LOCK : If PUSH LOCK is selected, the white balance adjusts automatically for the current light on scene.



## ■ CAMERA OPERATION

Manual : Adjust RED or BLUE in accordance with the type of ambient light on scene.



## ■ CAMERA OPERATION



### COLOR - GAIN CONTROL

Select the desired gain value. The higher the gain level, the more the scene displays that color.

R-Y GAIN : Adjustment of RED color

B-Y GAIN : Adjustment of Blue color



## ■ CAMERA OPERATION



### DAY & NIGHT (AUTO / COLOR / B/W)

This function determines how day and night modes are handled.

AUTO : The camera automatically switches between day and night mode depending on the light level.

COLOR : The camera stays in day mode.

B/W : The camera stays in night mode.



BURST SIGNAL : If ON, the screen shows a color burst while switching to day mode from night mode.

SET LEVEL : Not adjustable.

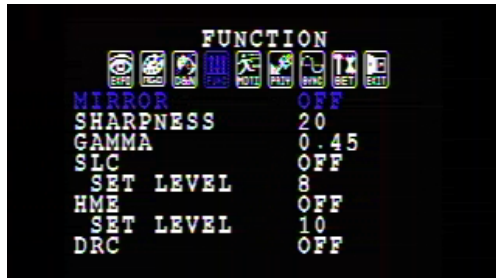
READ TIME : The switching time delay in AUTO mode for when the scene suddenly gets darker or brighter, adjustable from 3 secs to 12 secs.

## ■ CAMERA OPERATION



### FUNCTION - MIRROR

If ON is selected, the horizontal image on the screen is reversed.



### FUNCTION - SHARPNESS

The image sharpness is adjustable.



## ■ CAMERA OPERATION



### FUNCTION - GAMMA

GAMMA LEVEL is selectable in 3 levels. 0.45, 0.6, 1.0.



### FUNCTION - SLC (SIDE LIGHT COMPENSATION)

Select this mode when the corner of the screen is darker than the center.

As the level increases, the image becomes brighter



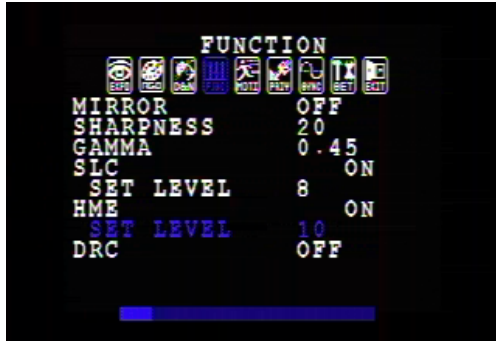
## ■ CAMERA OPERATION



FUNCTION - HME (High Light Masking Exposure)  
This function masks the bright areas on the screen.

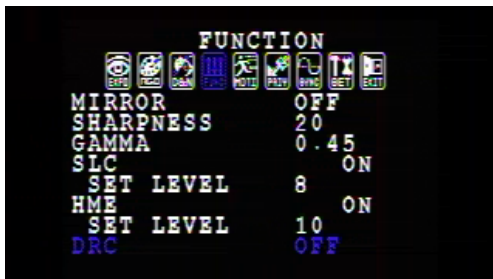
The brightness of HME is adjustable.

As the level of HME is increased, the masking area increases.



FUNCTION - DRC (Dynamic Range Compensation)

This function is to compensate darker images when different exposures are in one scene.



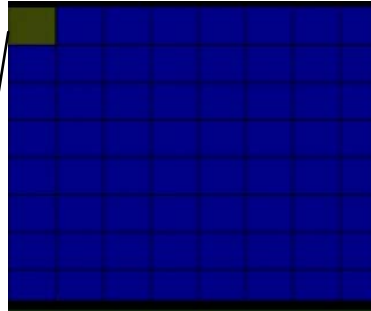
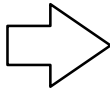
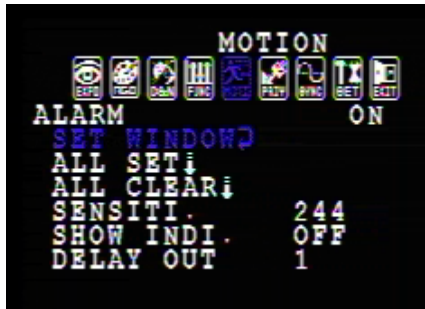


## ■ CAMERA OPERATION



### MOTION DETECTION

This camera feature allows you to detect the movement of an object in 64 different areas of the screen, and display an alarm on the screen.



Select or deselect blue areas with the joystick, only the blue areas are monitored for movement.

ALL SET : Set entire screen for movement detection.

ALL CLEAR : Clear entire screen for movement detection.



ALL SET



ALL CLEAR

## ■ CAMERA OPERATION

Sensitivity level : As the sensitivity level increases, smaller movements are detected.

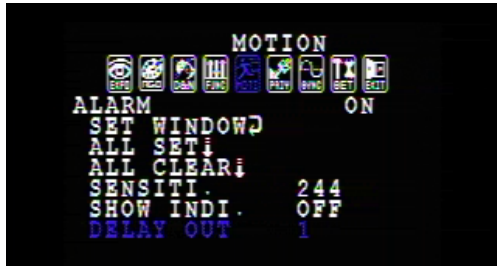


SHOW INDI : The motion detected indicator can be selected as icon, trace or off.



## ■ CAMERA OPERATION

DELAY OUT : The alarm signal display on the screen is delayed from 1sec to 15 sec.



## ■ CAMERA OPERATION



### PRIVACY (PRIVACY MASKING ZONE)

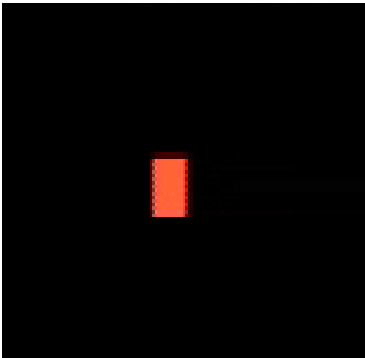
This function sets certain areas of the screen to be hidden. 4 masking zones are available.

MASK 1 : Adjust the masking area by using the joystick.

MASK 2 : Adjust the masking area by using the joystick.

MASK 3 : Adjust the masking area by using the joystick.

MASK 4 : Adjust the masking area by using the joystick.



If "set window" is selected, the cell is displayed on the screen and then adjusted by moving the joystick UP / DOWN / RIGHT / LEFT. Once desired area is covered press the joystick in until mask area is black then move the joystick any direction to return to the previous screen.

## ■ CAMERA OPERATION



### PRIVACY - COLOR SET

This function is to select the color of the masking cells.



## ■ CAMERA OPERATION



### SET UP - CAMERA ID

Enter a camera ID as a unique identifier.



## ■ CAMERA OPERATION



### SET UP - TITLE DISPLAY

Camera title is displayed on the screen when a value is entered.

TITLE EDIT : Select the value

TITLE RESET : Clears the title.

TITLE POSITION SELECTION : Set area to display title.



If editing the title, this image is displayed, select desired characters by using the joystick.

## ■ CAMERA OPERATION

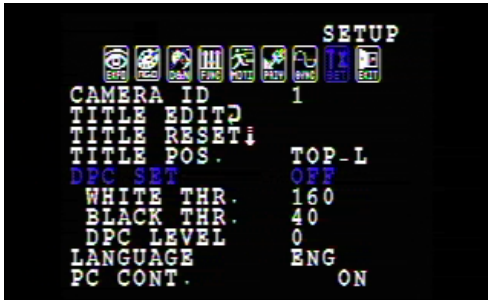


SET UP - DPC SET (Defect Pixel Cancellation)

This function automatically removes dead pixels in real time.

WHITE THR. : For cancelling the white defective pixels.

BLACK THR. : For cancelling the black defective pixels.



The cancellation sensitivity of defect pixels is adjustable.

For adjusting white defective pixel sensitivity, set WHITE THR. and DPC LEVEL at the same time.

For adjusting black defect pixel, set BLACK THR and DPC LEVEL at the same time.



## ■ CAMERA OPERATION



### SET UP - LANGUAGE

The language of the OSD menu is selectable to either English or Chinese.



## ■ CAMERA OPERATION



### SET UP - PC CONT.

PC communication is available by setting PC CONT. "ON" (not supported)





## ■ CAMERA OPERATION



EXIT

EXIT : Exit the OSD menu.

SAVE & EXIT : Exit the OSD menu after saving the current setting.

FACTORY SET : Change setting to the factory default. (make sure to SAVE & EXIT after)



NOTE : Lens, Day & Night and ID/Title settings stay the same even after a FACTORY SET.

# SPECIFICATIONS

MODEL	WZ45N (all models)	
<b>General Spec</b>	<b>NTSC</b>	<b>PAL</b>
<b>CCD Type</b>	1/3" 410K Pixels Color	1/3" 470k Pixels Color
<b>Total number of pixels</b>	811(H) X 508 (V)	795(H) X 596(V)
<b>Min illumination</b>	0.1Lux [(F1.2, 30IRE), (at COLOR)] 0.001Lux [(F1.2, 30IRE), (at TDN(B/W))]	
<b>Resolution</b>	520 TV Lines [at COLOR] 580 TV Lines [at TDN(B/W)]	
<b>Electric Spec</b>		
<b>Voltage</b>	DC 12V (10V ~ 16V) AC 24V (20V ~ 28V)	
<b>Power Consumption</b>	LED ON = DC : Max 4.3 [W] AC : Max 4.3 [W]	
<b>COMMON</b>		
<b>General Spec</b>	<b>NTSC</b>	<b>PAL</b>
<b>Shutter speed</b>	1/60s - 1/100,000s	1/50s - 1/100,000s
<b>S/N Ratio</b>	50dB or more(AGC off)	
<b>Gamma</b>	0.45	
<b>Sync System</b>	Internal / External	
<b>Mechanical Spec</b>		
<b>Operation temp</b>	-30℃ ~ +55℃	
<b>In storage temp</b>	-30℃ ~ +70℃	
<b>Operation humidity</b>	Under 90% (Non-condensing)	

Americas

Bosch Security Systems, Inc.  
850 Greenfield Road  
Lancaster, Pennsylvania 17601  
USA  
Telephone+1 888-289-0096  
Fax +1 585-223-9180  
Email: [security.sales@us.bosch.com](mailto:security.sales@us.bosch.com)  
[www.boschsecurity.us](http://www.boschsecurity.us)

Europe, Middle East, Africa:

Bosch Security Systems B.V.  
P.O. Box 80002  
5600 JB Eindhoven,  
The Netherlands  
Phone: + 31 40 2577 284  
Fax: +31 40 2577 330  
[emea.securitysystems@bosch.com](mailto:emea.securitysystems@bosch.com)  
[www.boschsecurity.com](http://www.boschsecurity.com)

Asia-Pacific:

Bosch Security Systems Pte Ltd  
38C Jalan Pemimpin  
Singapore 577180  
Phone: +65 6319 3450  
Fax: +65 6319 3499  
[apr.securitysystems@bosch.com](mailto:apr.securitysystems@bosch.com)  
[www.boschsecurity.com](http://www.boschsecurity.com)

© Bosch Security Systems, Inc. 2009; Data subject to change  
without notice.