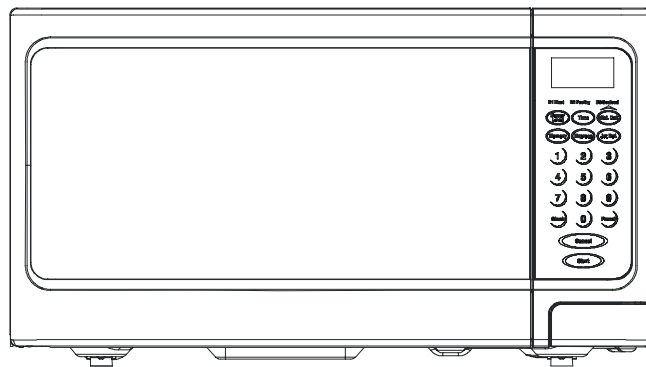


Microwave Oven

Model: HGN-36100EB

Owner's Manual



***Please read this booklet carefully before fixing and using and
Save it for future reference.***

PRECAUTIONS TO AVOID POSSIBLE EXPOSURE TO EXCESSIVE MICROWAVE ENERGY

1. Do not attempt to operate this oven with the door open since open door operation can result in harmful exposure to microwave energy. It is important not to defeat or tamper with the safety interlocks.
2. Do not place any object between the oven front face and the door or allow soil or cleaner residue to accumulate on sealing surfaces.
3. Do not operate the oven if it is damaged. It is particularly important that the oven door close properly and that there is no damage to the
 - a. Door (bent),
 - b. Hinges and latches (broken or loosened),
 - c. Door seals and sealing surfaces.
4. The oven should not be adjusted or repaired by anyone except properly qualified service personnel.

CONTENTS

PRECAUTIONS TO AVOID POSSIBLE EXPOSURE TO EXCESSIVE MICROWAVE ENERGY	1
SPECIFICATIONS*	2
BEFORE YOU CALL FOR SERVICE	2
INSTALLATION	2
GROUNDING INSTRUCTIONS	3
RADIO INTERFERENCE	3
IMPORTANT SAFETY INSTRUCTIONS	4
UTENSILS GUIDE	5
MICROWAVE COOKING PRINCIPLES	6
PART NAMES	6
CONTROL PANEL	7
HOW TO SET THE OVEN CONTROLS	8
Setting the clock	8
Setting cooking time and power	8
Multi-stage cooking	9
Preset	9
Express cooking	9
Weight defrost	10
Jet defrost	10
Child lock	10
Stop the oven during operating	11
CLEANING AND CARE	11

SPECIFICATIONS*

Power Consumption	230V~/50Hz, 1500W(Microwave)
Rated microwave power output:	1000W
Operation Frequency:	2450MHz
Outside Dimensions:	300mm(H)×539mm(W)×455mm(D)
Oven Cavity Dimensions:	240mm(H)×376mm(W)×404mm(D)
Oven Capacity:	36Litres
Cooking Uniformity:	Turntable System
Net Weight:	Approx.17.3kg

BEFORE YOU CALL FOR SERVICE

If the oven fails to operate:

1. Check to ensure that the oven is plugged in securely. If it is not, remove the plug from the outlet, wait 10 seconds, and plug it in again securely.
2. Check for a blown circuit fuse or a tripped main circuit breaker. If these seem to be operating properly, test the outlet with another appliance.
3. Check to ensure that the control panel is programmed correctly and the timer is set.
4. Check to ensure that the door is securely closed engaging the door safety lock system. Otherwise, the microwave energy will not flow into the oven.

IF NONE OF THE ABOVE RECTIFY THE SITUATION, THEN CONTACT A QUALIFIED TECHNICIAN. DO NOT TRY TO ADJUST OR REPAIR THE OVEN YOURSELF.

INSTALLATION

1. Make sure that all the packing materials are removed from the inside of the door.
2. **WARNIGN:** Check the oven for any damage, such as misaligned or bent door, damaged door seals and sealing surface, broken or loose door hinges and latches and dents inside the cavity or on the door. If there is any damage, do not operate the oven and contact qualified service personnel.
3. This microwave oven must be placed on a flat, stable surface to hold its weight and the heaviest food likely to be cooked in the oven.
4. Do not place the oven where heat, moisture, or high humidity are generated, or near combustible materials.
5. For correct operation, the oven must have sufficient airflow. Allow 20cm of space above the oven, 10cm at back and 5cm at both sides. Do not cover or block any openings on the appliance. Do not remove feet.

6. Do not operate the oven without glass tray, roller support, and shaft in their proper positions.
7. Make sure that the power supply cord is undamaged and does not run under the oven or over any hot or sharp surface.
8. The socket must be readily accessible so that it can be easily unplugged in an emergency.
9. Do not use the oven outdoors.

GROUNDING INSTRUCTIONS

This appliance must be grounded. This oven is equipped with a cord having a grounding wire with a grounding plug. It must be plugged into a wall receptacle that is properly installed and grounded. In the event of an electrical short circuit, grounding reduces risk of electric shock by providing an escape wire for the electric current. It is recommended that a separate circuit serving only the oven be provided. Using a high voltage is dangerous and may result in a fire or other accident causing oven damage.

WARNING Improper use of the grounding plug can result in a risk of electric shock.

Note:

1. If you have any questions about the grounding or electrical instructions, consult a qualified electrician or service person.
2. Neither the manufacturer nor the dealer can accept any liability for damage to the oven or personal injury resulting from failure to observe the electrical connection procedures.

The wires in this cable main are colored in accordance with the following code:

Green and Yellow = EARTH

Blue = NEUTRAL

Brown = LIVE

RADIO INTERFERENCE

Operation of the microwave oven can cause interference to your radio, TV, or similar equipment. When there is interference, it may be reduced or eliminated by taking the following measures:

1. Clean door and sealing surface of the oven.
2. Reorient the receiving antenna of radio or television.
3. Relocate the microwave oven with respect to the receiver.
4. Move the microwave oven away from the receiver.
5. Plug the microwave oven into a different outlet so that microwave oven and receiver are on different branch circuits.

IMPORTANT SAFETY INSTRUCTIONS

When using electrical appliance, basic safety precautions should be followed to reduce the risk of burns, electric shock, fire, injury to persons or exposure to excessive microwave energy. These precautions are as follows:

1. Read all instructions before using the appliance.
2. Use this appliance only for its intended use as described in this manual. Do not use corrosive chemicals or vapors in this appliance. This type of oven is specifically designed to heat, cook or dry food. It is not designed for industrial or laboratory use.
3. Do not operate the oven when empty.
4. Do not operate this appliance if it has a damaged cord or plug, if it is not working properly or if it has been damaged or dropped. If the supply cord is damaged, it must be replaced by the manufacturer or its service agent or a similarly qualified person in order to avoid a hazard.
5. **WARNING:** Only allow children to use the oven without supervision when adequate instructions have been given so that the child is able to use the oven in a safe way and understands the hazards of improper use.
6. To reduce the risk of fire in the oven cavity:
 - a. When heating food in plastic or paper container, keep an eye on the oven due to the possibility of ignition.
 - b. Remove wire twist-ties from paper or plastic bags before placing bag in oven.
 - c. If smoke is observed, switch off or unplug the appliance and keep the door closed in order to stifle any flames.
 - d. Do not use the cavity for storage purposes. Do not leave paper products, cooking utensils or food in the cavity when not in use.
7. **WARNING:** Liquid or other food must not be heated in sealed containers since they are liable to explode.
8. Microwave heating of beverage can result in delayed eruptive boiling, therefore care has to be taken when handle the container.
9. Do not fry food in the oven. Hot oil can damage oven parts and utensils and even result in skin burns.
10. Eggs in their shell and whole hard-boiled eggs should not be heated in microwave ovens since they may explode even after microwave heating has ended.
11. Pierce foods with heavy skins such as potatoes, whole squashes, apples and chestnuts before cooking.
12. The contents of feeding bottles and baby jars should be stirred or shaken and the temperature should be checked before serving in order to avoid burns.
13. Cooking utensils may become hot because of heat transferred from the heated food. Potholders may be needed to handle the utensil.
14. Utensils should be checked to ensure that they are suitable for use in microwave oven. Utensil Test: Place the empty utensil in the oven, microwave at high power for 60 seconds. A utensil which becomes very hot should not be used.
15. **WARNING:** It is hazardous for anyone other than a trained person to carry out any service or repair operation which involves the removal of any cover which gives protection against exposure to microwave energy.
16. This product is a Group 2 Class B ISM equipment. The definition of Group 2 which contains all

ISM (Industrial, Scientific and Medical) equipment in which radio-frequency energy is intentionally generated and/or used in the form of electromagnetic radiation for the treatment of material, and spark erosion equipment. For Class B equipment is equipment suitable for use in domestic establishments and in establishments directly connected to a low voltage power supply network which supplies buildings used for domestic purpose.

17. This appliance is not intended for use by persons (including children) with reduced physical, sensory or mental capabilities, or lack of experience and knowledge, unless they have been given supervision or instruction concerning use of the appliance by a person responsible for their safety.
18. Children should be supervised to ensure that they do not play with the appliance.

UTENSILS GUIDE

1. The ideal material for a microwave utensil is transparent to microwave, it allows energy to pass through the container and heat the food.
2. Microwave can not penetrate metal, so metal utensils or dishes with metallic trim should not be used.
3. Do not use recycled paper products when microwave cooking, as they may contain small metal fragments which may cause sparks and/or fires.
4. Round /oval dishes rather than square/oblong ones are recommend, as food in corners tends to overcook.
5. Narrow strips of aluminum foil may be used to prevent overcooking of exposed areas. But be careful don't use too much and keep a distance of 2.54cm between foil and cavity.

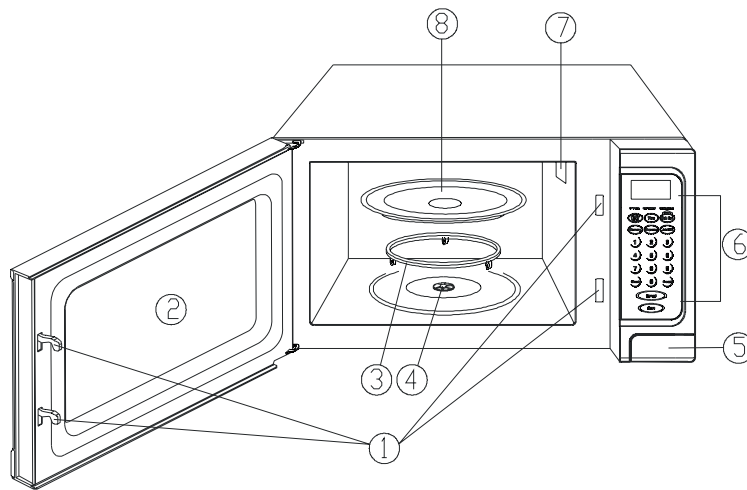
Please use the list below as a general guide to select correct microwaveable utensils:

COOKWARE	MICROWAVE
Heat-Resistant Glass	Yes
Non Heat-Resistant Glass	No
Heat-Resistant Ceramics	Yes
Microwave-Safe Plastic Dish	Yes
Kitchen Paper	Yes
Metal Tray	No
Metal Rack	No
Aluminum Foil & Foil Containers	No

MICROWAVE COOKING PRINCIPLES

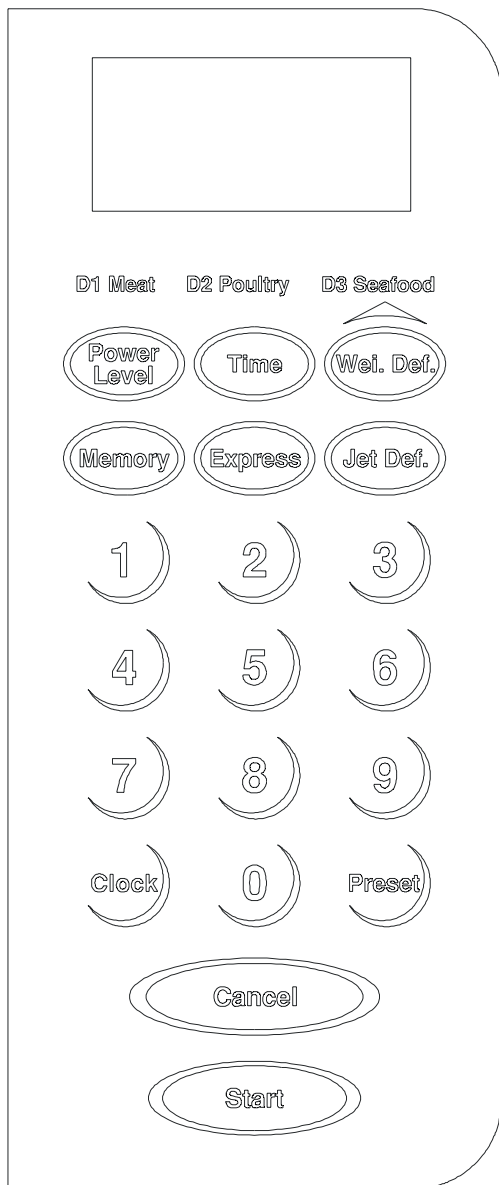
1. Arrange food carefully. Place thickest areas towards outside of dish.
2. Watch cooking time. Cook for the shortest amount of time indicated and add more as needed. Food severely overcooked can smoke or ignite.
3. Cover foods while cooking. Covers prevent spattering and help foods to cook evenly.
4. Turn foods over once during microwaving to speed cooking of such foods as chicken and hamburgers. Large items like roasts must be turned over at least once.
5. Rearrange foods such as meatballs halfway through cooking both from top to bottom and from the center of the dish to the outside.

PART NAMES



1. Door Safety Lock System
2. Oven Window
3. Roller Ring
4. Shaft
5. Door Release Button
6. Control Panel
7. Wave Guide (Please do not remove the mica plate covering the wave guide)
8. Glass Tray

CONTROL PANEL



MENU ACTION SCREEN

Cooking time, power, action indicators and clock time are displayed.

JET DEF. (JET DEFROST)

Touch to defrost food according to time entered.

WEI. DEF. (WEIGHT DEFROST)

Touch to defrost food according to weight entered.

POWER LEVEL

Touch this pad to set cooking power level.

PRESET

Touch to set a preset feature.

MEMORY

Touch to set a multi-stage cooking program.

NUMBER PADS

Touch to enter the clock time, cooking time, power level, food weight, etc.

TIME

Touch this pad once and then use the number pads to set cooking time.

CLOCK

Touch to set clock time.

EXPRESS

Touch to start the oven instantly at full power.

CANCEL

Touch to clear the selected power level, cook or defrost times that previously programmed.

It can also be used to activate the child lock.

START

Touch to start a cooking program.

(Please also see the following pages for more details.)

HOW TO SET THE OVEN CONTROLS

Each time a pad is touched, a beep will sound to acknowledge the touch.

SETTING THE CLOCK

1. Touch **CLOCK** pad once.
2. Touch **CANCEL** pad once.
3. Use the number pads to enter your desired time.
4. Touch **CLOCK** pad again to confirm.

Note: This is a 12-hour clock. Display screen will show 1:01 when the oven is plugged in. You can check the clock time when cooking is in progress by touching the **CLOCK** pad.

SETTING COOKING TIME AND POWER

1. Touch **TIME** pad once.
2. Use the number pads to enter a cooking time.
3. If you want to set a power level other than 100% power, touch **POWER LEVEL** pad, then use the number pads to enter the power level. You can set the power level from 10% to 90%. (Please check the following table).
4. Touch **START** pad to start cooking.

If you want to cook with 100% power level, just touch **POWER LEVEL** pad once without touch any number pad.

Touch the number pads as indicated to set power level in the table below:

Press Number pad	Power Level
1,0	100%
9	90%
8	80%
7	70%
6	60%
5	50%
4	40%
3	30%
2	20%
1	10%
0	0%

MULTI-STAGE COOKING

Your oven can be programmed for up to 3 automatic cooking sequences. Some recipes may require setting a multi-stage program involving defrosting and microwave cooking at different power levels. The following example shows the steps in setting up such a program.

1. Touch CANCEL pad to reset the system.
2. Input a jet defrost program.
3. Touch MEMORY pad.
4. Input microwave cooking program.
5. Touch MEMORY pad again
6. Input another microwave cooking program with probably lower power level settings.
7. Touch START pad.

Note:

JET DEFROST or WEIGHT DEFROST must be set as the first stage in a multistage cooking program while EXPRESS COOKING is unavailable.

After cooking, the oven's signal will sound and END will be displayed.

PRESET

This function allows you to set the oven to start a cooking program in a later time within the oven's clock cycle (12 hours).

For example: suppose it is 11:10, and you want to set the oven to start a cooking program at 11:30, you could:

1. Place food in the oven
2. Touch PRESET pad.
3. Touch number pads to enter 11:30.
4. Set your desired cooking program.
5. Touch START pad.

EXPRESS COOKING

With express cooking, you can touch the EXPRESS pad once or a number of times to enter your desired cooking time and the oven will work at full power level. The maximum cooking time is 2 minutes.

Suppose you want to set the oven to microwave for 1 minute at 100% power level.

1. Touch the EXPRESS pad 3 times, "1:00" will appear in the display.
2. Touch START pad.

Note:

Touch Once	15 seconds
Touch Twice	30 seconds
Touch 3 Times	1 minute
Touch 4 Times	2 minutes

WEIGHT DEFROST

This function automatically sets proper defrosting cycle once you have entered the weight of the food to be thawed. Maximum allowable weight for each category is shown below.

Food category	Maximum weight	Display
Meat	2300g	d1
Poultry	4000g	d2
Seafood	900g	d3

For example, if you would like to defrost 600g of shrimp.

1. Touch WEI. DEF. pad several times until "d3" appear in the display screen.
2. Touch number pads to enter your desired food weight.
3. Touch START pad.

Note:

You'd better to turn food over during defrosting process to get ideal defrost effect.

The oven will not start if you happen to enter weight in excess of the maximum recommended, when you can use the JET DEFROST function.

JET DEFROST

JET DEFROST enables you to thaw food according to a set time. The longest defrosting time allowed for is 99 minutes and 99 seconds.

Suppose you want to set the oven to JET DEFROST for 5 minutes and 30 seconds.

1. Touch JET DEF. pad.
2. Touch number pads to enter your desired defrost time.
3. Touch START pad.

Note:

You'd better turn food over during defrosting process to get ideal defrost effect.

CHILD LOCK

Use the convenient CHILD LOCK to prevent little ones from injuring themselves or damaging the oven. Once the CHILD LOCK is activated, LOCK will display on the screen, and the oven will not operate.

1. Activate the CHILD LOCK: Press and hold the CANCEL pad for 3 seconds, a beep sounds and LOCK indicator light up.
2. Deactivate the CHILD LOCK: Press and hold the CANCEL pad for 3 seconds until LOCK indicator will disappear from the display screen.

STOP THE OVEN DURING OPERATING

Open the oven door.

You can restart the oven by closing the oven door and touching START pad.

NOTE:

Oven stops operating the moment when door is opened.

CLEANING AND CARE

1. Turn off the oven and remove the power plug from the wall socket before cleaning.
2. Keep the inside of the oven clean. When food splatters or spilled liquids adhere to oven walls, wipe with a damp cloth. Mild detergent may be used if the oven gets very dirty. Avoid the use of spray and other harsh cleaners as they may stain, streak or dull the door surface.
3. The outside surfaces should be cleaned with a damp cloth. To prevent damage to the operating parts inside the oven, water should not be allowed to seep into the ventilation openings.
4. Wipe the door and window on both sides, as well as the door seals and adjacent parts frequently with a damp cloth to remove any spills or spatters. Do not use abrasive cleaner.
5. Do not allow the control panel to become wet. Clean with a soft, damp cloth. When cleaning the control panel, leave oven door opened to prevent oven from accidentally turning on.
6. If steam accumulates inside or around the outside of the oven door, wipe with a soft cloth. This may occur when the microwave oven is operated under high humidity condition.
7. It is occasionally necessary to remove the glass tray for cleaning. Wash the tray in warm sudsy water or in a dishwasher.
8. The roller ring and oven floor should be cleaned regularly to avoid excessive noise. Simply wipe the bottom surface of the oven with mild detergent. The roller ring may be washed in mild sudsy water or dishwasher. When removing the roller ring from cavity floor for cleaning, be sure to replace in the proper position.
9. Remove odors from your oven by combining a cup of water with the juice and skin of one lemon in a deep microwaveable bowl, microwaving for 5 minutes. Wipe thoroughly and dry with a soft cloth.
10. When it becomes necessary to replace the oven light, please consult a dealer with regards to having it replaced.
11. The oven should be cleaned regularly and any food deposits removed. Failure to maintain the oven in a clean condition could lead to deterioration of the surface that could adversely affect the life of the appliance and possibly result in a hazardous situation.
12. Please do not dispose of this appliance into the domestic rubbish bin. Rather consult your municipality on the correct method of disposing of it.