



# Model H8098 3½ Ton SUV Garage Jack

## **⚠️ WARNING**

Failure to follow these instructions could result in serious personal injury or death:

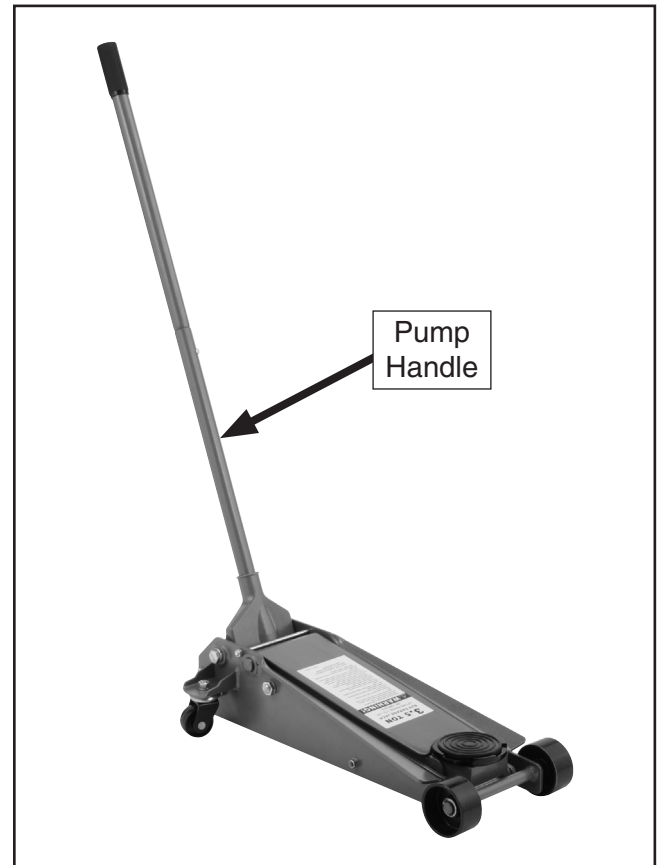
1. **DO NOT** overload this jack beyond its rated capacity. Overloading can cause the jack to collapse and drop the load.
2. **ALWAYS** support the vehicle with appropriately rated support stands before working under it.
3. **DO NOT** attempt to move the vehicle while the jack is in use.
4. Use only on hard level surfaces like concrete or asphalt. Other surfaces are potentially unstable.
5. Center the load on the jack to maintain proper balance and stability.
6. **DO NOT** use jack if it begins leaking fluid or if it sinks when placed under load. These are indications that the jack needs to be immediately serviced.

## Specifications

Maximum Lifting Capacity ..... 7000 Lbs.  
Lifting Range ..... 4"–25¼"  
Weight ..... 93 Lbs.

## Operation

**Pump Handle (Figure 1):** To raise the jack, rotate the pump handle clockwise completely, then move the pump handle up and down. To lower the jack, slowly rotate the pump handle counterclockwise.



**Figure 1.** Jack controls.

*If you need help with the Model H8098, call our Technical Support line at: (570) 546-9663.*

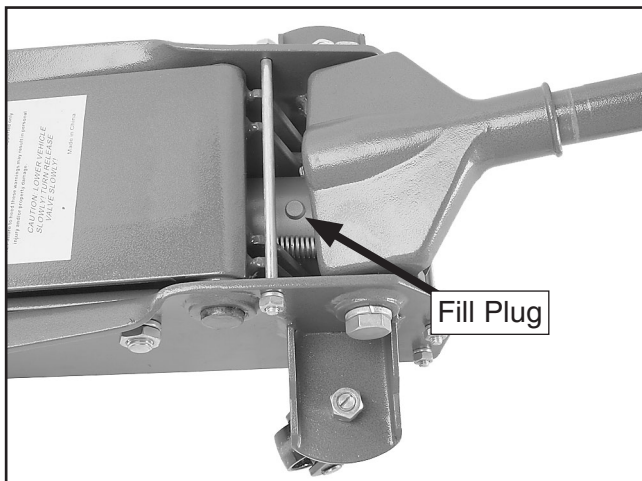
## Maintenance

Keep the hydraulic rams clean and free of any dust, dirt, or foreign debris. Abrasive material stuck to the ram can damage the hydraulic seal when the ram is retracted back into the jack. Regularly wipe the hydraulic rams clean with a lightly oiled rag.

The Model H8098 will require hydraulic fluid after long-term use. This will be noticeable if the jack will not reach its maximum height when pumped. Only use a high quality hydraulic fluid.

### To add hydraulic fluid:

1. Completely lower the jack.
2. Remove the fill plug shown in **Figure 2**.



**Figure 2.** Fill plug.

3. Add fluid until it reaches the top of the fill plug hole.
4. Replace the fill plug.
5. Test the operation of the jack by pumping it up to the maximum height and applying a load. The jack should hold the weight of the load without a sinking or spongy feeling.

—If the jack did not perform properly, then air may need to be bled from the pump system.

## Bleeding the Air

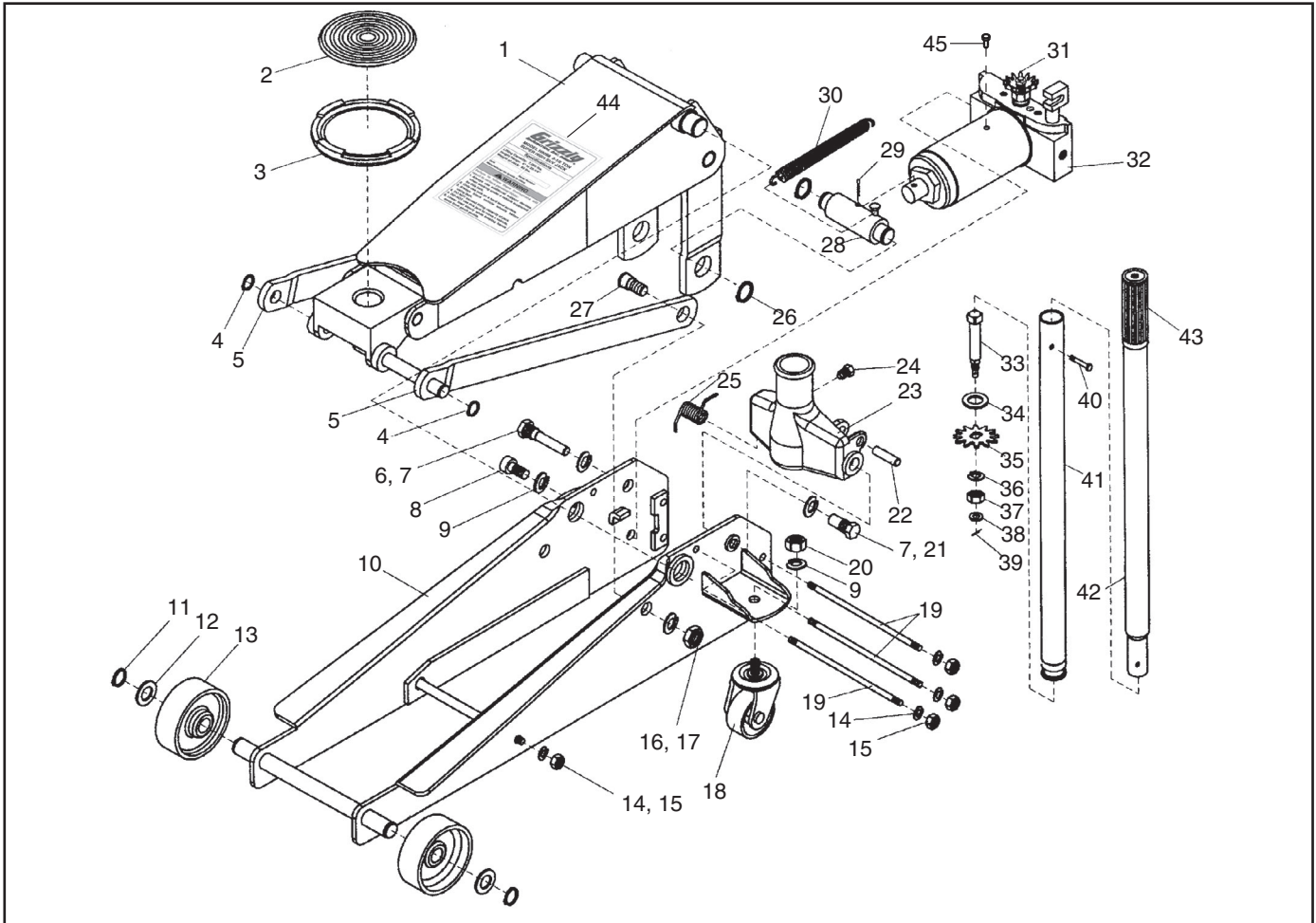
If the jack becomes spongy or will not rise when pumped, then air bubbles may be in the hydraulic system.

### To remove the air bubbles:

1. Remove the fill plug.
2. Rotate the pump handle counterclockwise one full turn.
3. Pump the handle quickly ten times to purge the air from the system.
4. Replace the fill plug and test the operation of the jack.

—If the jack did not perform properly, then air may need to be bled from the pump system again.

# H8098 Parts Breakdown and List



REF	PART #	DESCRIPTION
1	PH8098001	LIFTING ARM ASSEMBLY
2	PH8098002	RUBBER PAD
3	PH8098003	SADDLE
4	PR06M	EXT RETAINING RING 16MM
5	PH8098005	LONG CONNECTING ROD
6	PH8098006	RIGHT LINKAGE BOLT
7	PLW12M	LOCK WASHER 18MM
8	PB25M	HEX BOLT M12-1.75 X 25
9	PLW05M	LOCK WASHER 12MM
10	PH8098010	FRAME
11	PH8098011	EXT RETAINING RING 20MM
12	PH8098012	FRONT WHEEL WASHER
13	PH8098013	FRONT WHEEL
14	PLW04M	LOCK WASHER 8MM
15	PN03M	HEX NUT M8-1.25
16	PLW10M	LOCK WASHER 16MM
17	PN13M	HEX NUT M16-2
18	PH8098018	REAR WHEEL
19	PH8098019	PULL ROD
20	PN09M	HEX NUT M12-1.75
21	PH8098021	LEFT LINKAGE BOLT
22	PH8098022	SMALL PISTON
23	PH8098023	HANDLE SOCKET

REF	PART #	DESCRIPTION
24	PB49M	HEX BOLT M12-1.75 X 20
25	PH8098025	TORSION SPRING
26	PR11M	EXT RETAINING RING 25MM
27	PH8098027	LINKAGE BOLT
28	PH8098028	CONNECTING ROD ASSEMBLY
29	PH8098029	COTTER PIN 4 X 50MM
30	PH8098030	EXTENSION SPRING
31	PH8098031	CONCAVE GEAR
32	PH8098032	PUMP ASSEMBLY
33	PH8098033	GEAR AXIS
34	PW08M	FLAT WASHER 16MM
35	PH8098035	FLAT GEAR
36	PLW06M	LOCK WASHER 10MM
37	PN02M	HEX NUT M10-1.5
38	PW01M	FLAT WASHER 8MM
39	PH8098039	COTTER PIN 2 X 12MM
40	PH8098040	HEX BOLT M16-2 X 35
41	PH8098041	LOWER HANDLE
42	PH8098042	UPPER HANDLE
43	PH8098043	HANDLE SLEEVE
44	PH8098044	MACHINE ID LABEL
45	PH8098045	FILL PLUG

## ⚠ WARNING

The machine ID label warns about hazards and ways to prevent injury. The owner of the jack **MUST** maintain the original location and readability of the label. If the label is removed or becomes unreadable, contact Grizzly at (800) 523-4777 or [www.grizzly.com](http://www.grizzly.com) to order a new label.

# *grizzly.com*

**TOOL WEBSITE**

Buy Direct and Save with Grizzly® – Trusted, Proven and a Great Value!

*Visit Our Website Today And Discover  
Why Grizzly® Is The Industry Leader!*

- SECURE ORDERING
- ORDERS SHIPPED WITHIN 24 HOURS
- E-MAIL RESPONSE WITHIN ONE HOUR

-OR-

Call Today For A **FREE**  
Full Color Catalog

**1-800-523-4777**

