

# Total Air Purification

HEPA

Air Purifier

Owner's Manual



English

Models  
**30836**

Form# 44029-01  
20091215  
©2009 Hunter Fan Co.

*SINCE 1886*  
**Hunter**<sup>®</sup>

# TABLE OF CONTENTS

|                                    |    |
|------------------------------------|----|
| Introduction .....                 | 3  |
| Safety Instructions.....           | 3  |
| Setting Up Your Air Purifier ..... | 5  |
| How The System Works .....         | 6  |
| Operating Your Air Purifier .....  | 7  |
| Air Purifier Maintenance.....      | 7  |
| Check or Clean Your Pre-Filter     | 7  |
| Check or Replace Your Filter       | 8  |
| Replace The UVC Bulb               | 8  |
| Clean the Unit                     | 9  |
| Troubleshooting.....               | 10 |
| Technical Support.....             | 10 |
| Filter Ordering .....              | 11 |
| Warranty.....                      | 11 |
| Products .....                     | 11 |
| Filter and UVC Calendar .....      | 14 |
| Notes .....                        | 14 |



## INTRODUCTION

Thank you for purchasing the Total Air Purification System from Hunter Fan Company. You have purchased our latest development in Portable Air Purification Systems. This system has been developed to improve the quality of the air you breathe.

Our HEPA Air Purification System out performs other air purification systems by quickly and effectively removing dust, smoke, and pollen particles as small as .3 microns in size. The following innovative features are included in your Hunter Air Purifier.

- ✓ **High Particulate Efficiency:** The HEPA filter will remove up to 99.9% of particles as small as 0.3 micron particles from the air that passes through the filter.
- ✓ **Washable Pre-Filter:** The washable pre-filter is permanent and can be cleaned and reused.
- ✓ **UVC Lamp:** This Hunter Air Purifier is equipped with a UVC germicidal lamp. UVC technology is a proven germicide that is accepted by the FDA and EPA as having the ability to kill pathogens in air that are exposed to UVC light.
- ✓ **Photocatalytic Oxidation:** Reduces the amount of toxic VOCs in the air caused by household cleaners and products.
- ✓ **Oxygenating Catalyst:** Converts ozone and smog into oxygen for cleaner air and peace of mind.

## SAFETY INSTRUCTIONS

### IMPORTANT!

#### READ ALL INSTRUCTIONS BEFORE USING THIS AIR PURIFIER.

1. **WARNING:** This Air Purifier emits UVC radiation that may cause eye and/or skin irritation. RG-3. Avoid exposing eyes and skin to unshielded UVC Lamp.
2. **CAUTION:** The UVC Lamp may shatter and cause injury if it is dropped or sustains impact. Wear safety glasses and gloves when handling the UVC Lamp. Do not use excessive force when handling the UVC Lamp. Dispose of the UVC bulb in accordance with local or State guidelines as trace amounts of Mercury are present.

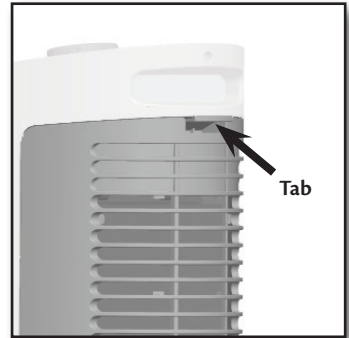


3. This Air Purifier is designed for use on a level floor and may not work properly on an uneven floor. ALWAYS place the Air Purifier on a firm, level floor. ALWAYS place the Air Purifier at least six (6) inches away from walls and heat sources such as stoves, radiators, or heaters.
4. Place the Air Purifier in an area that is out of the reach of children.
5. Before using the Air Purifier, extend the cord and inspect for any signs of damage. DO NOT use the product if the cord has been damaged.
6. To reduce the risk of electric shock, this product has a polarized plug (one blade is wider than the other) as a safety feature. This plug will fit into a polarized outlet only one way. If the plug does not fit fully into the outlet, reverse the plug. If it still does not fit, contact a qualified electrician. DO NOT attempt to defeat or override this safety feature.
7. ALWAYS UNPLUG the Air Purifier while it is being cleaned.
8. DO NOT move or tilt the Air Purifier while it is in operation. Turn off and unplug before moving.
9. DO NOT immerse the Air Purifier in water at any time because permanent damage will occur. To properly clean your Air Purifier, follow the instructions in the Maintenance section of this manual "Air Purifier Maintenance" on page 7.
10. This equipment should be inspected frequently and collected dirt removed from it regularly to prevent excessive accumulation that could result in flashover or risk of fire.



## SETTING UP YOUR AIR PURIFIER

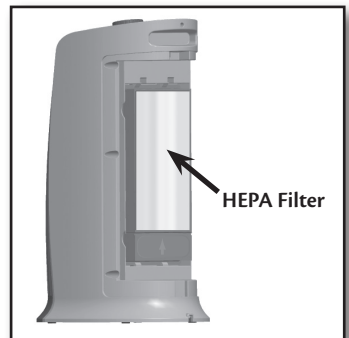
1. Take the Air Purifier out of the box and remove the clear plastic protective bag and place the unit on a firm, level surface.
2. Before turning on the Air Purifier, you need to confirm that the filters are firmly in place and have not become loose during shipping. To check the filters, push down on the tab under the handle. Figure 1.
3. Gently pull the rear grill away from the unit and lift away. Figure 2.
4. The washable Pre-Filter is mounted inside the back grill of the unit. Confirm that it properly covers the grill vents. Figure 3.
5. The HEPA Filter will be resting inside the unit. If present, remove the plastic bag surrounding the filter and place the filter back into the Air Purifier. The filter should have arrows on the side to indicate air flow and the direction the filter should be placed back into the unit. Figure 3.
6. Set the tab on the bottom of the rear grill into the slot in the base of the unit and rock the grill up until the top tab snaps into place. Figure 4.
7. Plug the unit into a 120V electrical outlet.



**Figure 1.**



**Figure 2.**



**Figure 3.**



**Figure 4.**

## HOW THE SYSTEM WORKS

Dust and other irritants are pulled into the Air Purifier by the fan. The Washable Pre-Filter attracts larger particles like pet dander, hair and traps them on the Pre-Filter. Smaller particles such as dust, mold, and pollen pass through the Pre-Filter and are captured by the HEPA filter. Up to 99.9% of particles can be captured.

The UVC Light helps kill particles not trapped on the HEPA Filter and the Photocatalytic Oxidation screen removes harmful VOC's. Clean, purified air is then released into the room through the front grill as the Oxygenating Catalyst converts smog and ozone back into oxygen. Figure 5.

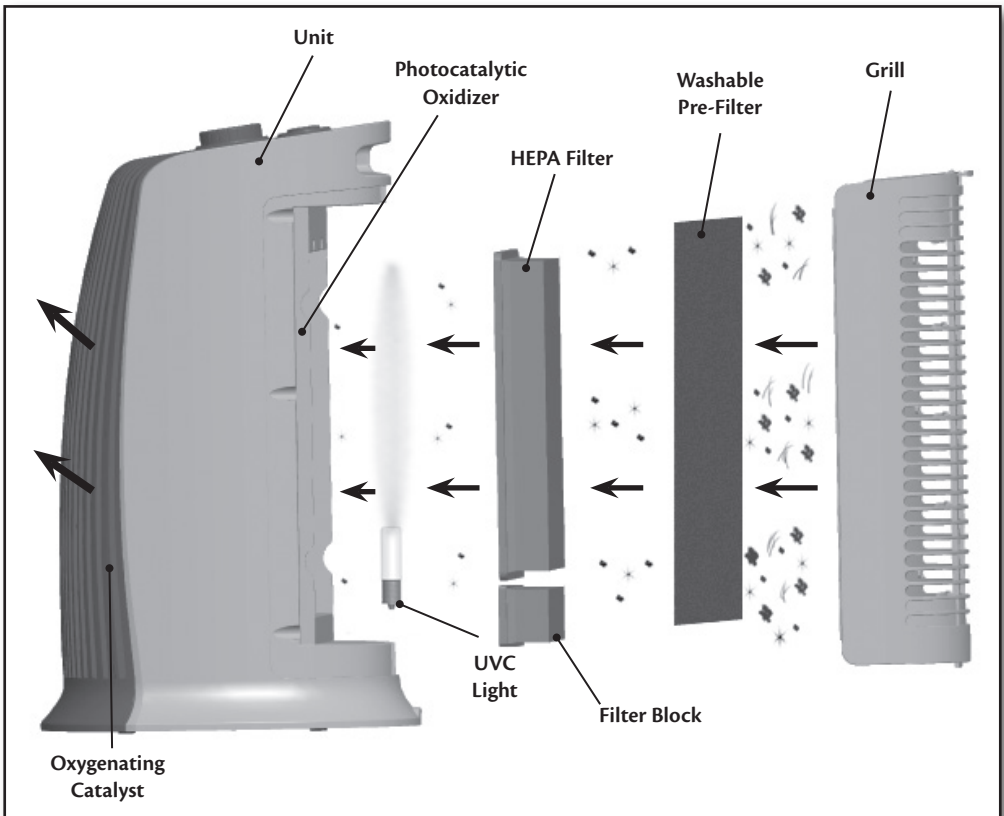


Figure 5.

## OPERATING YOUR AIR PURIFIER

- OFF Unit off
- Low speed - Recommended for use when soft background noise is unwanted.
- Medium speed - Typical usage setting. Soft background noise is not an issue.
- High speed - Use when quick, efficient results to a room's air quality are desired.

The fan speed can be adjusted at any time by rotating the dial so the indicator light aligns with the desired speed.

Press the UVC Light Button to turn on and off the UVC function of your Air Purifier.

**NOTE:** The ON/OFF Indicator and the UVC Indicator will stay lit while the fan and/or UVC is running.

## AIR PURIFIER MAINTENANCE

It is necessary to periodically check your Air Purifier for performance. If the Pre-Filter and/or HEPA Filter are covered in dust and other captured particles, it will be necessary to clean or replace one and or both. The Pre-Filter and Filter should be checked at least every 6 months. The UVC Light should be replaced every year.

**NOTE:** Some environments may require more frequent cleaning of each filter. In these situations, adjust the time you check your filters to ensure the filters stay clog free to optimize performance.

### Check or Clean Your Pre-Filter

1. Turn the Air Purifier off and disconnect from the wall.
2. Remove the rear grill on the back of the unit by pressing the tab at the top of the unit, under the handle and pull the rear grill outward. Figure 7.
3. Turn the Rear grill over and gently remove the Pre-Filter from the grill.
4. Check the Pre-Filter side facing the grill for particle coverage.

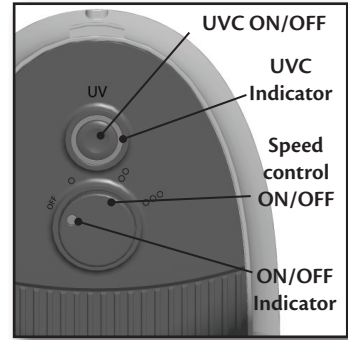


Figure 6.

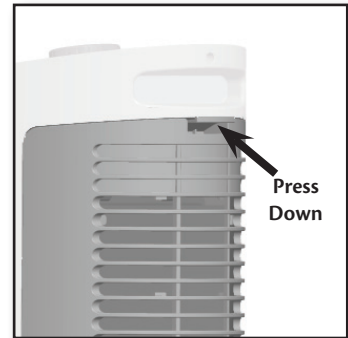


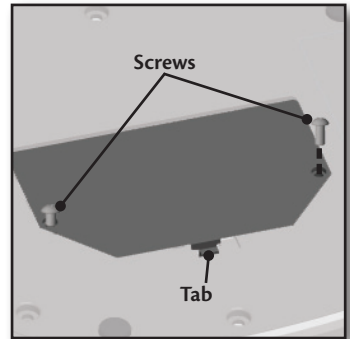
Figure 7.

- If the Pre-Filter needs to be cleaned, It may be submerged in warm soapy water to clean. Gently lift and submerge the filter several times to clean.
- When complete, rinse the filter with warm water and allow to dry completely.

Note: Wet parts placed into the unit can cause damage to the filters and or the motor of the Air Purifier.

### **Check or Replace Your Filter**

- Turn the Air Purifier off and disconnect from the wall.
- Remove the rear grill on the back of the unit by pressing the tab at the top of the unit, under the handle and pull the rear grill outward. Figure 7.
- Remove the HEPA Filter from the unit.
- Check the Filter for particle build-up.
- The HEPA filter should be removed every 12 months of use and matched to the color indicator on the inside of the filter compartment. When the filter matches the dark, charcoal gray indicator, it should be replaced.

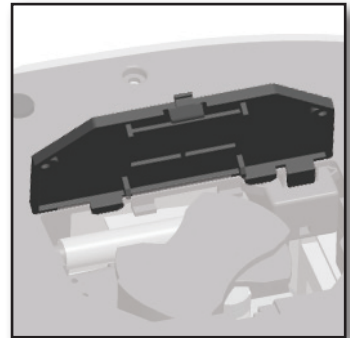


**Figure 9.**

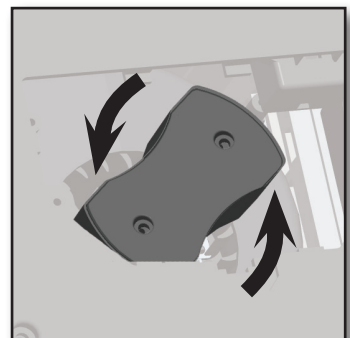
### **Replace The UVC Bulb**

The UVC light should be replaced once yearly. Follow these instructions to remove and replace the UVC bulb.

- Unplug the unit from the wall outlet and turn it over, so the bottom of the unit is visible.
- Using a small phillips screwdriver remove the 2 screws holding the UVC Cover in place. Figure 9.
- Gently push the tab on the UVC Cover and lift it away. Figures 9. and 10.
- Locate the UVC Bulb Carrier and turn it 45° counter-clockwise. Figure 11.



**Figure 10.**



**Figure 11.**



5. Lift the UVC Bulb Carrier out of the unit. Figure 12.
6. Unscrew the UVC Bulb From the carrier and dispose of the UVC bulb in accordance with local or State guidelines as trace amounts of Mercury are present.
7. Partially remove the new UVC Bulb from it's packaging being careful not to let the bulb come in contact with your skin.

**Note:** Oils from your skin can cause damage to the bulb and will prevent it from working.

8. Using the bag the bulb came in to prevent skin contact with the bulb, screw the bulb into the Carrier socket. Figure 13. Do not over tighten. Discard the bag.
9. Reinsert the Bulb carrier into the unit at a 45° angle and turn clockwise to lock into the Air Purifier.

**Note:** If the UVC Bulb door is not re-installed correctly, the unit will not run.

10. Reattach the UVC cover by inserting the back tabs into the Air Purifier and snapping the tab back into place. Figure 14.
11. Reinsert the 2 screws securing the UVC Cover into place. Refer to Figure 9.

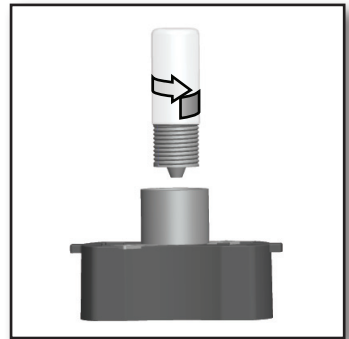
### Clean the Unit

Clean the outside of the unit with a soft, damp cloth. The rear grill can be cleaned in soapy water after it has been removed from the unit and the pre-filter has been removed.

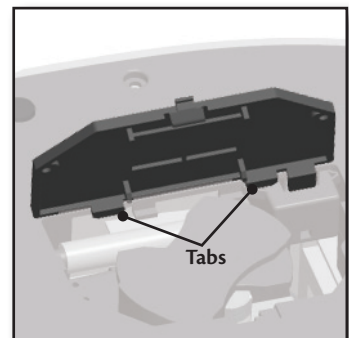
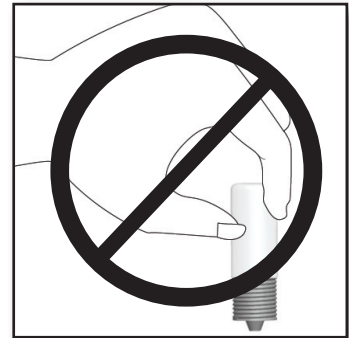
**NOTE:** Ensure the grill is completely dry before reinstalling it on the unit. Failure to do so could cause damage to the filters or motor.



**Figure 12.**



**Figure 13.**



**Figure 14.**

## TROUBLESHOOTING

Problem:

No Operation.

Solution:

- ✓ Confirm that the unit is plugged in.
- ✓ Check the installation of the Rear grill.
- ✓ Check the installation of the UVC Lamp Cover.

Problem:

Unit has reduced air flow or increased noise.

Solution:

- ✓ The filter may be clogged and needs to be cleaned. See "Check or Replace Your Filter" on page 10.

Problem:

The UVC Lamp is not operating.

Solution:

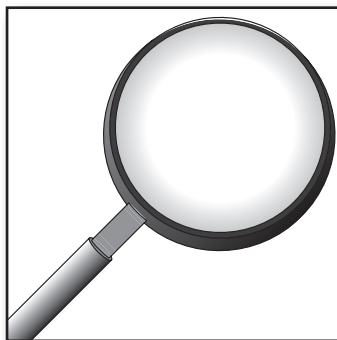
- ✓ Check the installation of the UVC Bulb.
- ✓ Replace the UVC Bulb. See "Replace The UVC Bulb" on page 8.

## TECHNICAL SUPPORT

If you have any additional questions or problems with your Hunter Air Purifier, please call:

USA: 1-888-830-1326  
Canada: 1-866-268-1936

Hours of operation are from 7:00 am to 7:00 pm Monday - Friday and 8:00 am to 5:00 pm on Saturday, Central Time. You may also contact us over the Internet at [www.hunterfan.com](http://www.hunterfan.com).



## FILTER ORDERING

Depending on usage and the environment, your Hepa filter should be replaced once a year.

Replacement filters are available at most retailers that carry Hunter Air Purifiers. You may also purchase directly from Hunter Fan Company by:

Phone: 1-888-354-8375

Website: [www.hunterfan.com](http://www.hunterfan.com)

\* Applicable state and local taxes may apply.

\* Prices are subject to change without notice.

\* All orders will be shipped USPS or UPS Ground, allow 12-15 working days for delivery.

| Part#        | Type               | Price                     |
|--------------|--------------------|---------------------------|
| <b>30904</b> | <b>Hepa Filter</b> | <b>\$25.<sup>00</sup></b> |
| <b>30850</b> | <b>UVC Bulb</b>    | <b>\$9.<sup>99</sup></b>  |

## WARRANTY

### Hunter Fan Company Total Air Purification System 5 YEAR LIMITED WARRANTY

The Hunter Fan Company makes the following limited warranty to the original residential user or consumer purchaser of the Total Air Purification System:

If any part of your Total Air Purification System ("Air Purifier") motor fails during the first five (5) years from the date of installation due to a defect in material or workmanship, we will provide a replacement Air Purifier free of charge. Installation is deemed to occur at the date of purchase.

If the Air Purifier cord, ionizer, or rear grill fails any time within one (1) year after installation due to a defect in material or workmanship, we will replace or, at our option, repair the unit free of charge at our nearest service center or at our Service Department in Memphis, Tennessee. You will be responsible for all parts and labor costs after this one-year period.

## PRODUCTS

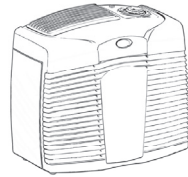
### Ceiling Fans



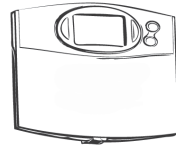
### Humidifiers



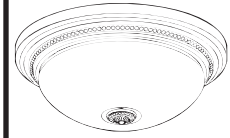
### Air Purifiers



### Thermostats



### Bath Fans



### Oscillating Fans



IF THE ORIGINAL RESIDENTIAL USER OR CONSUMER PURCHASER CEASES TO OWN THE AIR PURIFIER, THIS WARRANTY AND ANY IMPLIED WARRANTY WHICH THEN REMAINS IN EFFECT, INCLUDING BUT NOT LIMITED TO ANY IMPLIED WARRANTY OF MERCHANTABILITY OR FITNESS FOR A PARTICULAR PURPOSE, ARE VOIDED. NO WARRANTY, EXPRESSED OR IMPLIED, INCLUDING ANY WARRANTY OF MERCHANTABILITY OR FITNESS FOR A PARTICULAR PURPOSE, IS MADE IN RESPECT TO THE FILTER MATERIAL OR Washable FILTER. THIS WARRANTY IS IN LIEU OF ALL OTHER EXPRESS WARRANTIES. THE DURATION OF ANY IMPLIED WARRANTY, INCLUDING BUT NOT LIMITED TO ANY IMPLIED WARRANTY OF MERCHANTABILITY OR FITNESS FOR A PARTICULAR PURPOSE, IN RESPECT TO THE MOTOR IS EXPRESSLY LIMITED TO THE PERIOD OF THE EXPRESS WARRANTY SET FORTH ABOVE.

This warranty is voided if the air purifier is not purchased and used in the USA or Canada.

This warranty excludes and does not cover defects, malfunctions or failures of the Air Purifier which were caused by repairs by persons not authorized by us, use of parts or accessories not authorized by us, mishandling, modifications, or damage to the Air Purifier while in your possession, or unreasonable use, including failure to provide reasonable and necessary maintenance. This warranty does not cover Air Purifiers used in commercial applications. There are no express or implied warranties as to commercial purchasers or users.

To obtain service, contact the nearest Hunter authorized service center or the Hunter Fan Company Service Department, 7130 Goodlett Farms Pkwy., Suite 400, Memphis, TN 38016, 1-888-830-1326. For the name of our nearest authorized Hunter Fan Company Service Center, write to the Hunter Fan Company at the preceding address. You will be responsible for insurance and freight or other transportation to our factory service center. We will return the Air Purifier freight prepaid. The Air Purifier should be properly packaged to avoid damage in transit since we will not be responsible for any such damage. Proof of purchase is required when requesting warranty service. The purchaser must present sales receipt or other document that establishes proof of purchase.



IN NO EVENT SHALL HUNTER FAN COMPANY BE LIABLE FOR DIRECT, INDIRECT, SPECIAL CONSEQUENTIAL OR INCIDENTAL DAMAGES IN EXCESS OF THE PURCHASE PRICE OF THE AIR PURIFIER. YOUR SOLE REMEDY WILL BE REPAIR OR REPLACEMENT AS PROVIDED ABOVE. SOME AMERICAN STATES AND CANADIAN PROVINCES DO NOT ALLOW LIMITATIONS ON HOW LONG AN IMPLIED WARRANTY LASTS, SO THE ABOVE LIMITATION MAY NOT APPLY TO YOU.

SOME AMERICAN STATES AND CANADIAN PROVINCES DO NOT ALLOW THE EXCLUSION OR LIMITATION OF DIRECT, INDIRECT SPECIAL, INCIDENTAL OR CONSEQUENTIAL DAMAGES, SO THE ABOVE LIMITATION MAY NOT APPLY TO YOU. SOME AMERICAN STATES AND CANADIAN PROVINCES DO NOT ALLOW THE EXCLUSION OR INVALIDITY OF EXPRESS OR IMPLIED WARRANTIES IF THE USER CEASES TO OWN THE AIR PURIFIER, SO THE ABOVE LIMITATION MAY NOT APPLY TO YOU.

THIS WARRANTY GIVES YOU SPECIFIC LEGAL RIGHTS, AND YOU MAY ALSO HAVE OTHER RIGHTS WHICH VARY FROM STATE TO STATE OR PROVINCE TO PROVINCE.



*Hunter* Company  
7130 Goodlett Farms Pkwy., Suite 400  
Memphis, Tennessee 38016

To learn more about Hunter Fan Company products, please see our Web page at:

[www.hunterfan.com](http://www.hunterfan.com)

