

GENERAC'S OHVI® ENGINES

GTV-760

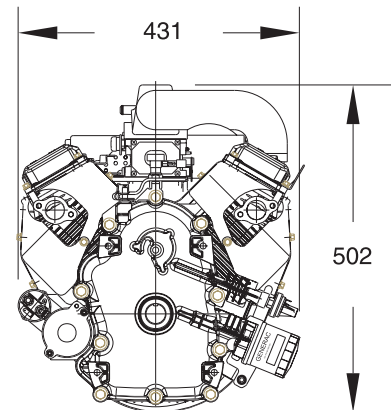
Vertical Shaft
 V-Twin Cylinder
 Air Cooled
 OHVI Industrial Design
 EPA and CARB Certified



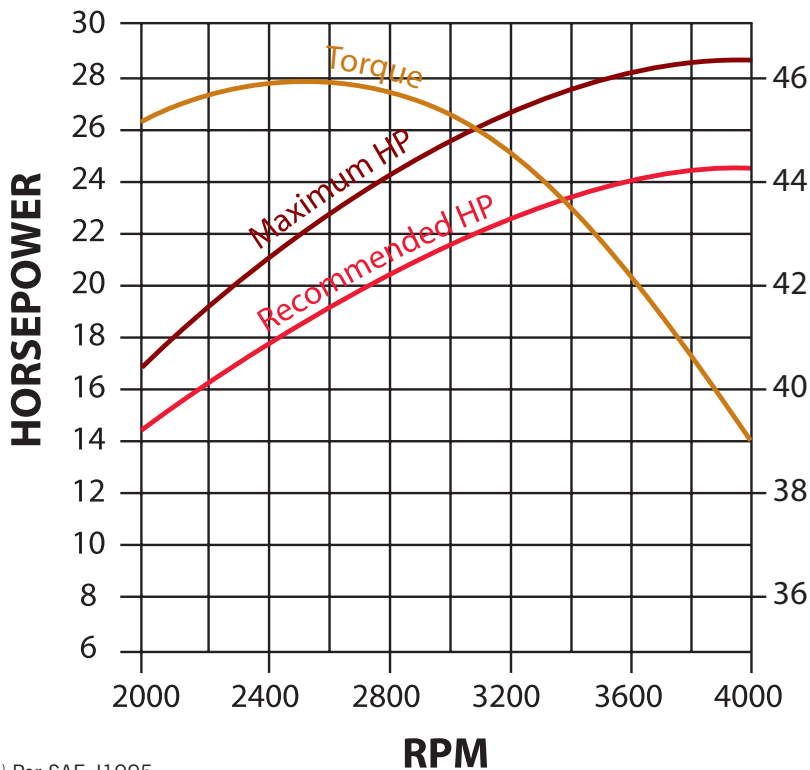
SPECIFICATIONS

Model	GTV760
Displacement	763cc
Bore	90mm
Stroke	60mm
Max. Power ⁽¹⁾	29.2 HP @ 4000 RPM
Recommended Power ⁽¹⁾	24.8 HP @ 3800 RPM
Compression Ratio	7.5:1
Lubrication	Full Pressure
Starting System	12V Electric
Oil Capacity (liters)	2.2

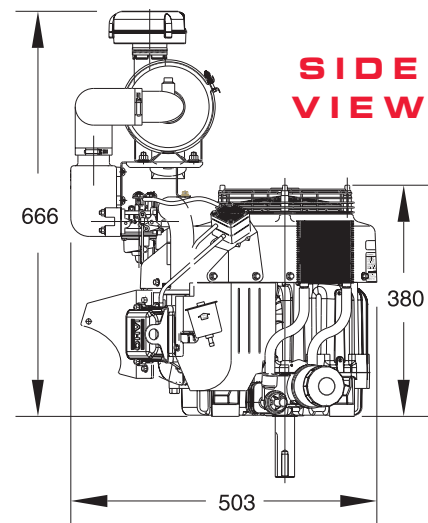
TOP VIEW



PERFORMANCE CURVE



SIDE VIEW



All measurements are in mm.

⁽¹⁾ Per SAE J1995

GENERAC®
 POWER SYSTEMS, INC.

generac.com