

## 40" Commercial Grade 1080p LCD Television

### LC40VF5HTL

#### FEATURES

- 40" Wide TFT LCD Screen
- 1920 x 1080 native resolution for Full HD (1080p) performance
- Integrated ATSC Tuner for HDTV Broadcast reception
- High Brightness (550cd/m<sup>2</sup>) provide a vivid and brilliant picture
- Deep Black and Bright White with high contrast (1200:1)
- Wide Viewing Angle 176°/176°
- Dual HDMI inputs for true digital connections
- HDMI and component inputs provide HDTV support
- VGA port for connection to PC
- Multi Language OSD (English/Spanish/French)
- On Screen Program Guide
- On/Off Timer
- Sleep Timer
- VESA Wall Mountable
- Comply with FCC, ETL, RoHS Standard
- [Special Feature Package for Hotel Application](#)

#### Special Feature Package for Hotel Application

1. Special programmable OSD
2. Cloning Support - Master TV settings can be easily transferred to multiple guest room TVs using the Cloning Tool (Optional).
3. Swivel Stand for optimum viewing angle
4. Base is built with stronger material
5. Lockable Base for theft protection
6. Firmware upgradeable through USB port
7. Metal Cover for Jack-Pack to secure and protect the connectors and to manage cables
8. High reliability power supply design to insure stable operation
9. ENERGY STAR qualified design for energy efficiency



#### Connectivity

HDMI x 2  
Composite Video x 1  
Component Video YPbPr x 1  
VGA Port x 1  
S Video x 1  
Audio Input x 1  
PC Audio Input x 1

#### Accessories

Instruction Manual  
Remote Control with Battery

#### Specifications

Power Supply: AC 100-240V, 50/60Hz  
Power Consumption: 280W  
Unit Dimension: 39.0" x 13.0" x 28.0"  
Carton Dimension: 43.9" x 15.7" x 31.7"  
Carton Weight (with unit): 67.1 lbs  
UPC Code: 792885223468  
Stuffing Quantity: 180 pcs (40"HQ)

\*Features and specifications are subject to change without notice.

## Special programmable OSD

By enabling the HOTEL MODE, "maximum Volume Level", "Power on Channel", "Input Source", etc. can be controlled.

Hotel Mode Setting		
Hotel Mode Enable	◀	off ▶
Channel Menu Display	▶	off ▶
Channel Change	▶	off ▶
Input Source Change	▶	off ▶
Fixed Volume	▶	off ▶
Fixed Volume Value	▶	0 ▶
Max Volume Value	▶	0 ▶
On Channel	▶	off ▶
On Channel Number	▶	0 ▶
Enable Main Menu	▶	off ▶
Enable Keypad Func	▶	off ▶

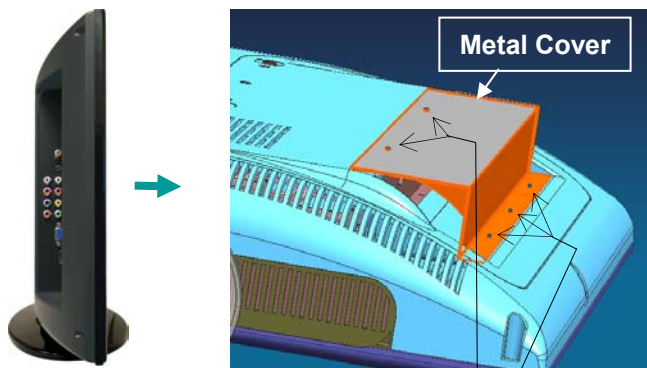
## Swivel Stand

Optimum viewing angle for your guest.



## Metal Cover for protecting connections

The metal cover restricts access to connectors and improves cable management. It is secured by security screws, and a special tool is required to remove it.



Tool for Security Screws is supplied.

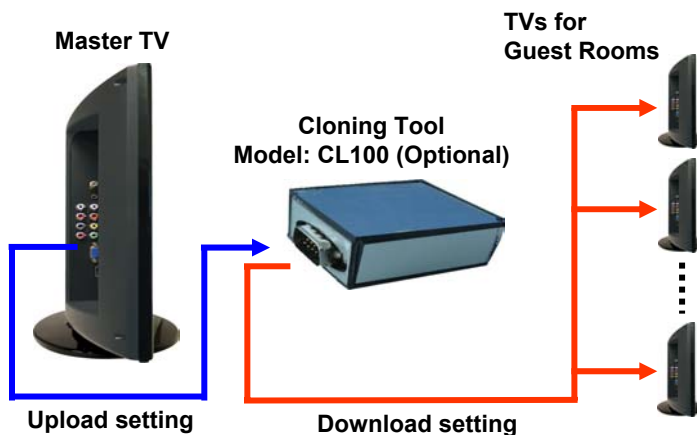


Security Screws are used.



## Cloning Support

Master TV settings can be easily transferred to multiple guest room TVs using the optional Cloning Tool.



## Lockable Base

The Security Lock will secure the TV Base to the top of cabinet or the counter top for preventing theft.

