



**EDELBROCK VICTOR SERIES DRAG RACE HEADERS**  
**for 1998-2002 LS1 Camaro and Firebird**  
**Catalog #6570**  
**KIT CONTENTS**

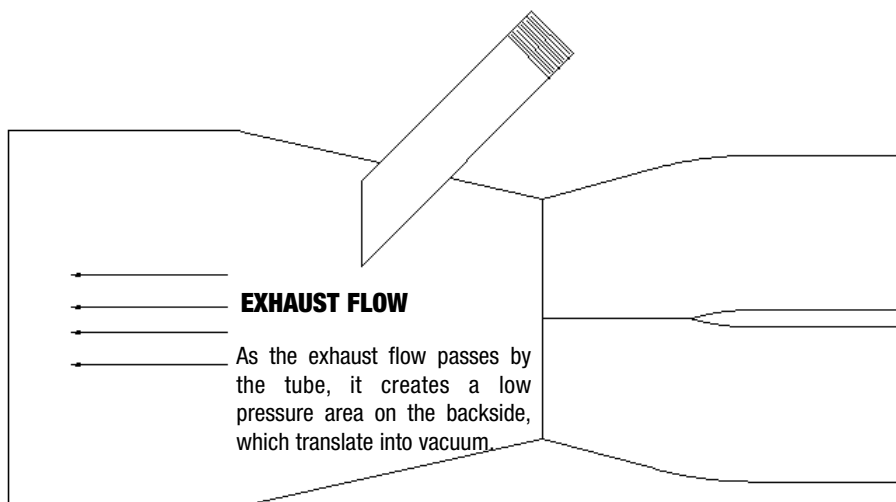
Qty.	Part No.	Description	Qty.	Part No.	Description
1	25-9217	Left Side Header	12	68-0350	8mm x 1.25 x 30mm Hex Bolts (Header Flange)
1	25-9218	Right Side Header	4	68-6550	5/16" - 18 x 1-1/2" Grade 8 Hex Bolt (Collector)
2	25-9222	Slip-on Merge Collector	2	79-9749	Evacuation Tubes
2	37-6570	O2 Sensor Wire Extensions	8	79-9750	Collector Mounting Tabs
2	52-9710	O2 Sensor Bungs	1	79-9916	EGR Provision (Sub-assembly)
1	54-0408	EGR Flange Gaskets	1	79-9934	EGR Provision (Sub-assembly)
2	54-6600	Header Port Flange Gaskets	2	79-9922	A.I.R. Provision (Sub-assembly)
2	54-6622	Air Flange Gaskets	8	82-3600	5/16" AN Washers (Collector)
4	60-8541	5/16" - 18 x 1-1/2" Grade 8 Hex Bolt (Collector)	12	82-4620	5/16" Split Lock Washers (Header Flange)

**Note:** Your Edelbrock Victor Series Race Headers include evacuation tubes, O2 sensor bungs, collector mounting tabs, E.G.R., and A.I.R. sub-assemblies, to be installed, if needed or required. This allows you to custom-tailor the header for a better fit and finish for your particular needs and class requirements.

1. Evacuation tubes (if used) can be positioned in the collector where desired for best fit and routing of the hoses (route hoses away from hot engine components). See diagram for recommended positioning of evacuation tube.
2. Collector mounting tabs should be installed after primary tube tuning has been completed (if applicable).
3. O2 sensor bungs (if used) can be positioned on the header collector where the sensor wires can be routed away from hot engine components (O2 sensor wire extensions are provided). Drill 3/4" hole and weld bung to collector.
4. EGR sub-assembly provisions (if needed) can be installed by attaching the vehicles EGR flange to the sub-assembly provided (Two sub-assemblies have been provided. Choose the one that fits your car best). Trim the provided sub-assembly tube. Mark and drill the header primary tube with a 1/2" drill. Weld sub-assembly to header tube.
5. A.I.R. sub-assemblies provisions (if needed) can be installed by attaching the vehicle's A.I.R. flange to the provided A.I.R. sub-assembly. Trim the tubes, mark and drill 1/2" diameter holes and weld to primary tube.

**Special Components that may be needed, if applicable:**

**Note:** Oxygen Sensor Simulators may be purchased from the following: SLP PT #31036; Phone (732) 349-2109; Mid America Designs, Inc. PT #609132, Phone (217) 347-5591; RPM Outlet, Phone (713) 858-8095.



**Edelbrock Corporation, 2700 California St., Torrance, CA 90503**  
**Tech Line: 1-800-416-8628; Office: 310-781-2222**