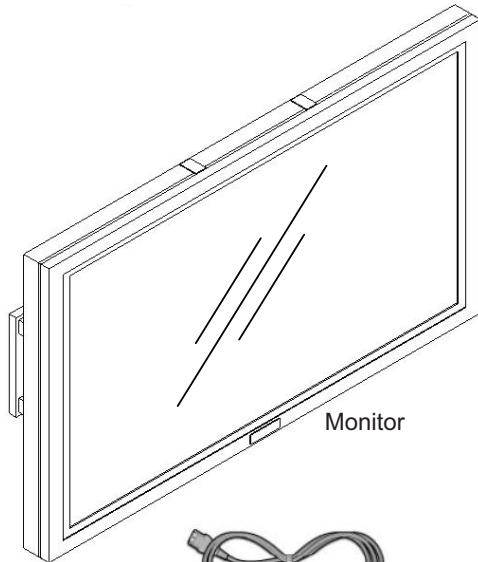


# Installation

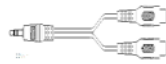
# TANDBERG

## 43" Flatscreen Set-top Kit

### Unpacking



Monitor



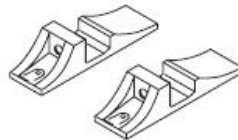
Audio Cable



Remote Control/  
Batteries (AA x 2)



Power Cord



2 pcs Temporary Stand

### Speaker Set:



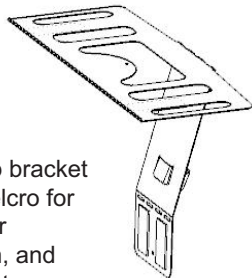
2 pcs Speaker  
Cables



Speakers



DVI-D to DVI-D cable

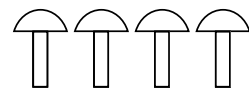


Set top bracket  
with velcro for  
monitor  
fixation, and  
cable strap

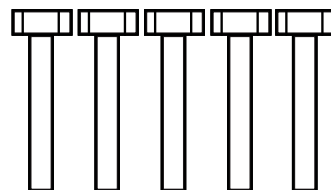
### Screw kit:



Unbrako key

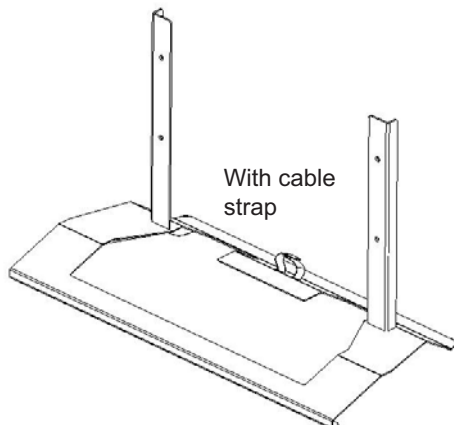


4 x Type A



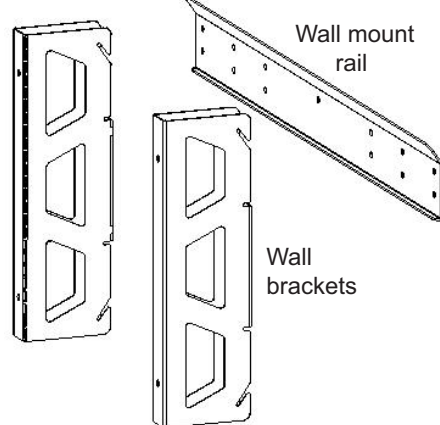
5 x Type B (with plugs for  
brick/concrete wall)

### Table stand kit:



With cable  
strap

### Wall mount kit:



Wall mount  
rail

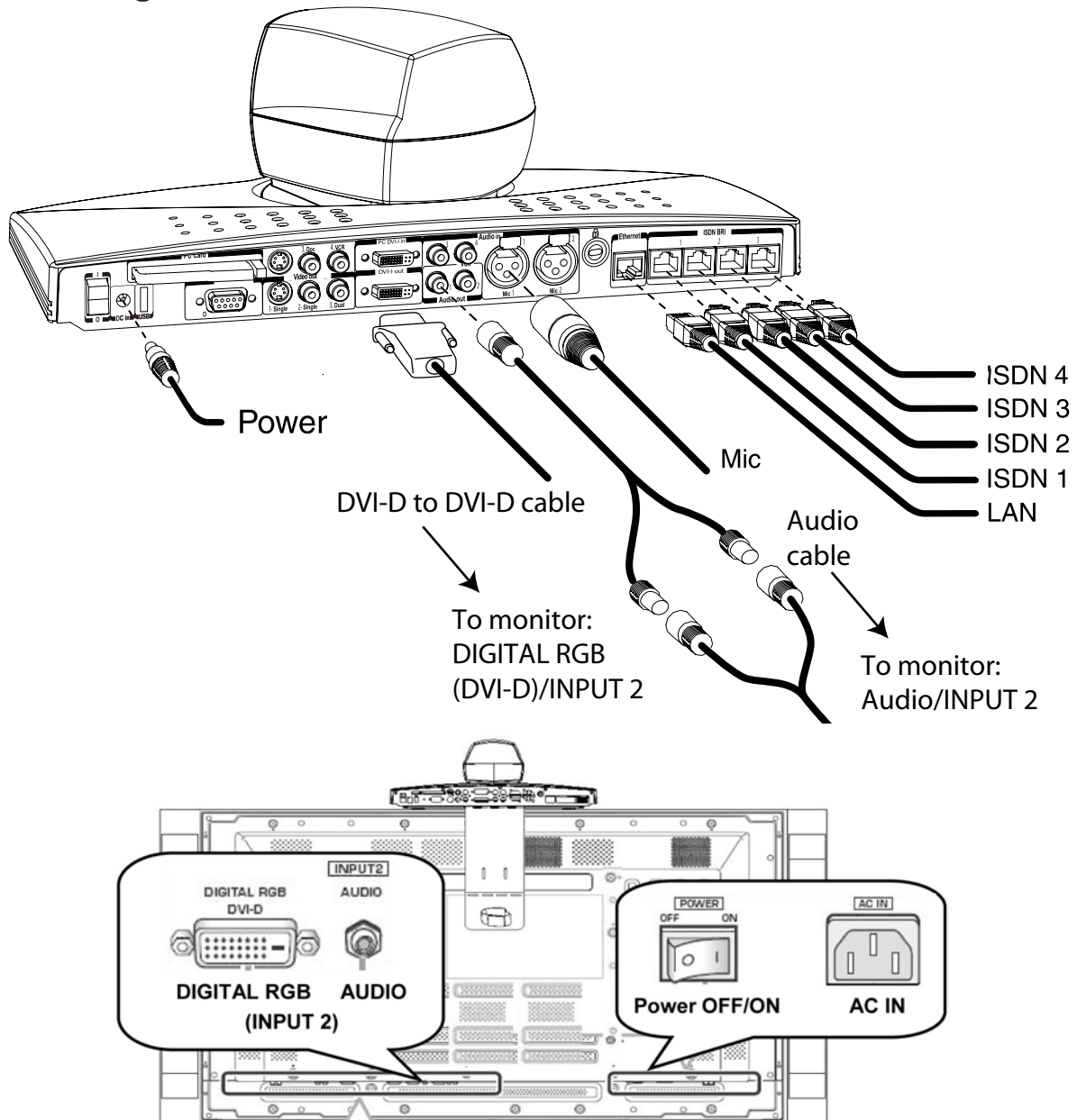
Wall  
brackets

# Installation

# TANDBERG

43" Flatscreen Set-top Kit

## Connecting Cables



## Monitor Configuration (use monitor Remote Control)

Screen size: 'FULL'. Source input: 'DIGITAL RGB' (INPUT 2).

From Menu, choose 'Option'. For Orbiter: Choose 'ON'. For Mask Control: Choose 'ON'.

From Menu, choose 'Set Up'. For Power Management: Choose 'ON'.

Recommended maximum volume on the monitor is 32 out of 45

Please read the Monitor Operator Instructions for further details.

## Set Top wide screen configuration

From 'Main Menu', choose 'Control Panel' - 'Administrator Settings' - 'General' - 'Screen settings'.

For Picture Layout: Choose 'Picture outside Picture'.

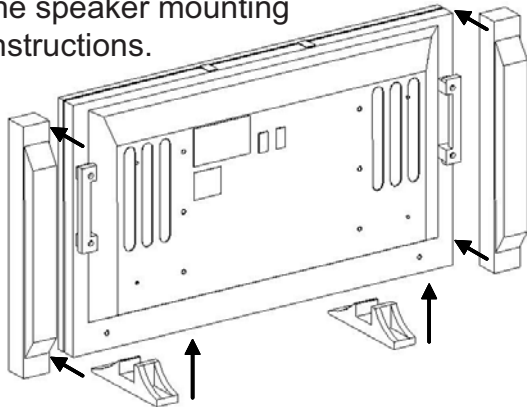
For VGA Monitor Format: Choose 'Wide'.

Press 'Save'.

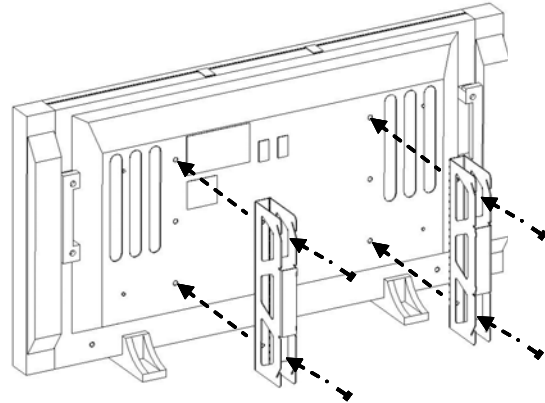
# Wall mount

**TANDBERG**  
43" Flatscreen Set-top Kit

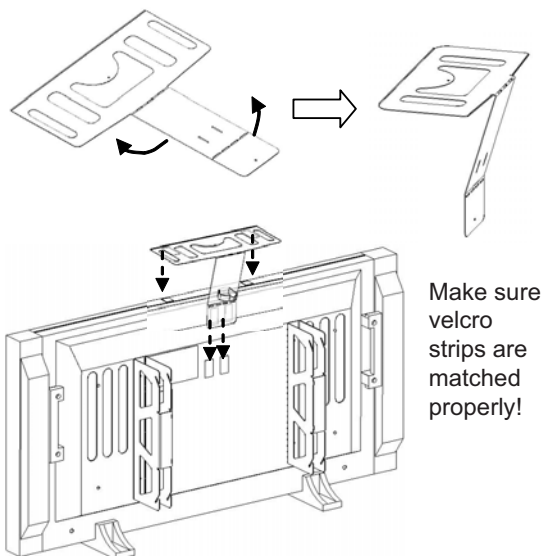
1. Put monitor onto temporary stands and mount the speakers according to the speaker mounting instructions.



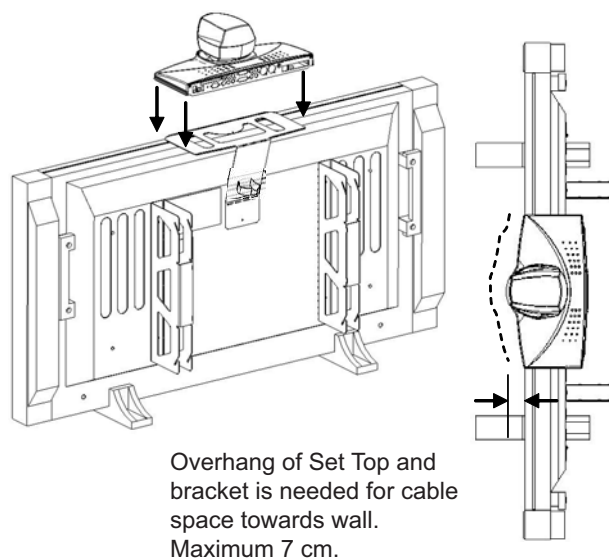
2. Mount the Wall brackets with 4 x screws Type A.



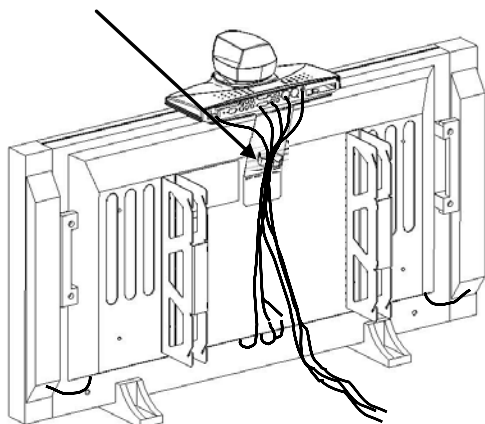
3. Bend the bracket into correct shape and fix onto the monitor.



4. Place Set Top onto bracket.



5. Connect cables (see page 2) and fixate in cable strap.



6. Wall mounting:

Make sure to follow instructions on next page according to wall type, using 4 or 5 x Type B screws and plugs when specified:

- A - Wooden pillars (gypsum wall)  
60 cm center - center
- B - Wooden pillars (gypsum wall)  
16 in (41 cm center - center)
- C - Brick/concrete wall

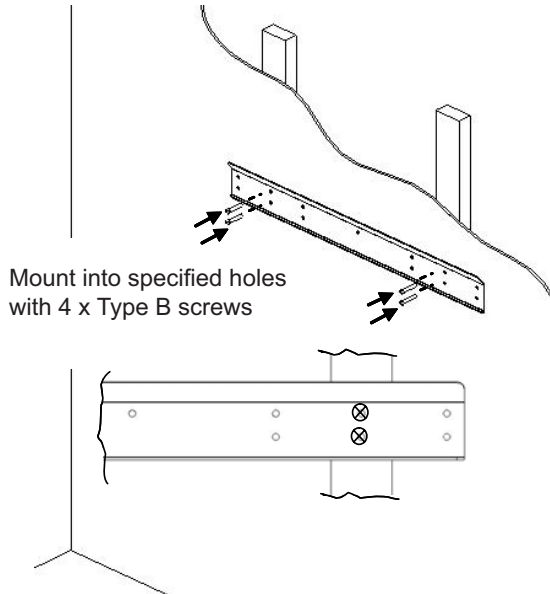
## Warning!

Due to the size and mass of this equipment, it is very important that the wall mount unit is safely installed according to the installation instructions. It is highly recommended that the installation is provided by persons with appropriate technical training.

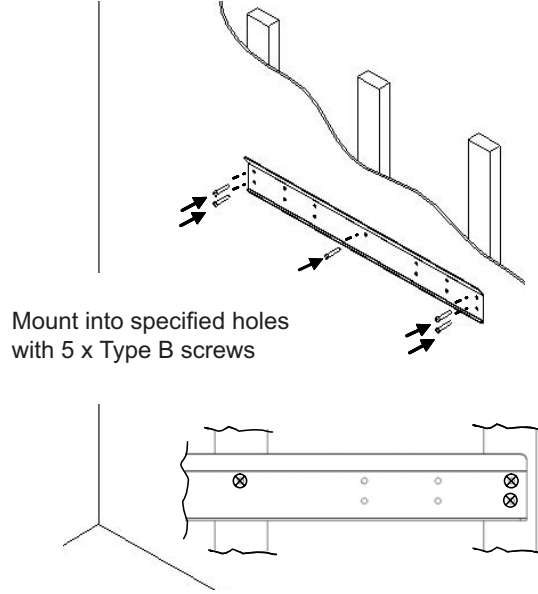
# Wall mount

**TANDBERG**  
43" Flatscreen Set-top Kit

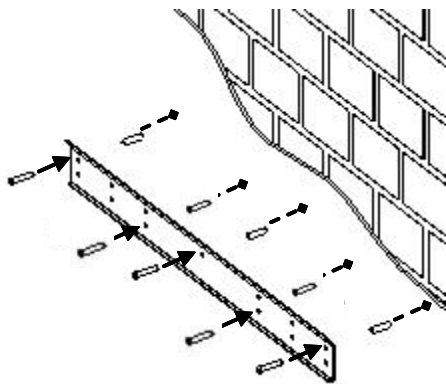
6 A) Wooden pillars (w/gypsum)  
60 cm center-center.



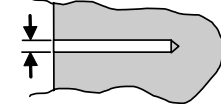
6 B) Wooden pillars (w/gypsum)  
16 inch (41 cm) center-center.



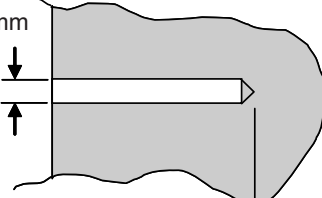
6 C) Brick/Concrete wall.



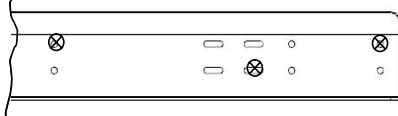
Ø 3,0 mm  
(0,1")



Ø 10 mm  
(0,4")

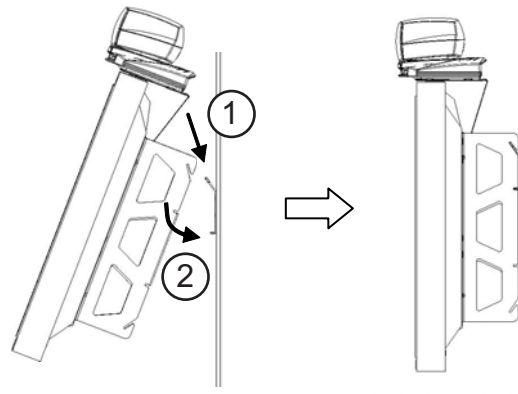


75 mm (3,0")

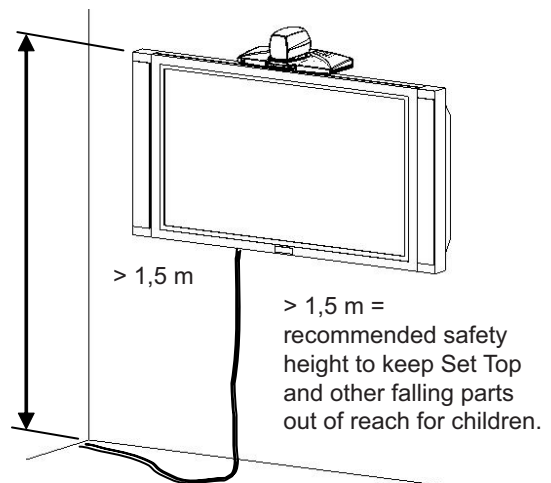


1. Drill a small initial hole
2. Drill a larger hole for plugs
3. Mount into specified holes with 5 x Type B plugs and screws.

7 Hook the system onto the wall mount rail.



8 Fixate cables along the wall.

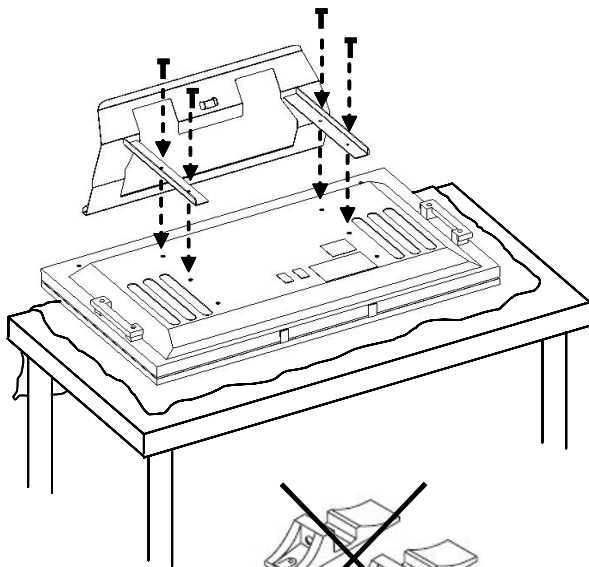


# Table stand

## TANDBERG

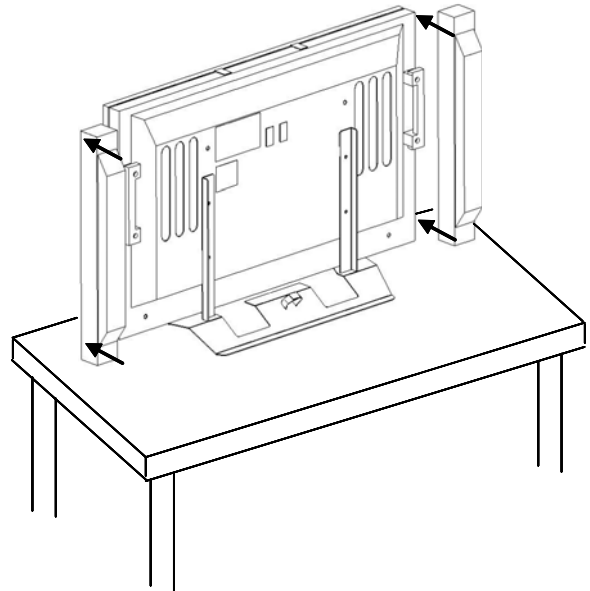
43" Flatscreen Set-top Kit

1. With the monitor lying flat on a table onto the protective cloth from the box, mount the Table stand with 4 x screws Type A.

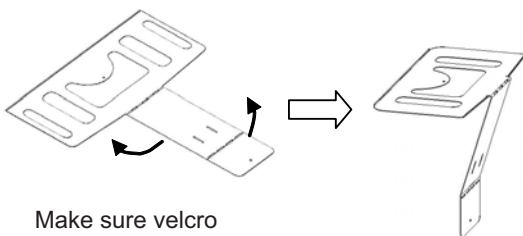


Never use temporary stands as table stand. For help during wall mount purpose only!

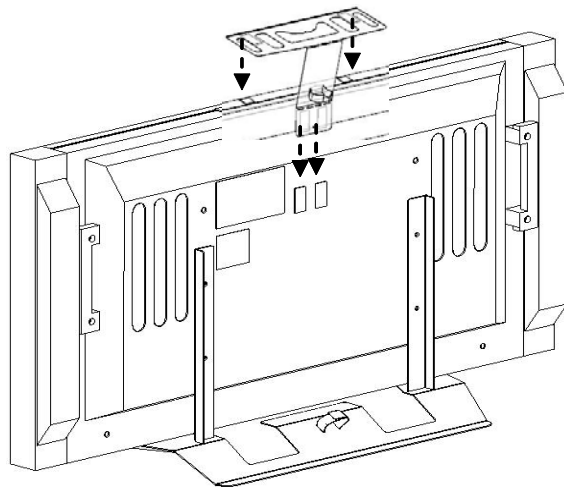
2. Mount the speakers according to the speaker mounting instructions.



3. Bend the bracket into correct shape and fix onto the monitor.



Make sure velcro strips are matched properly!

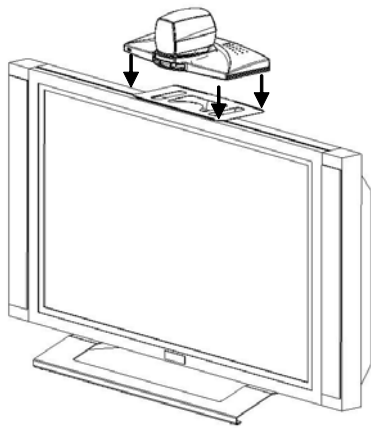


# Table stand

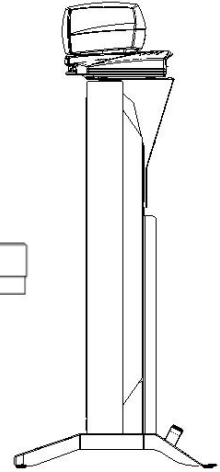
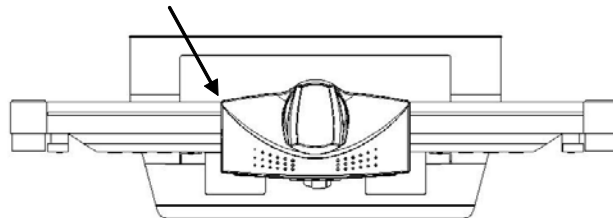
# TANDBERG

43" Flatscreen Set-top Kit

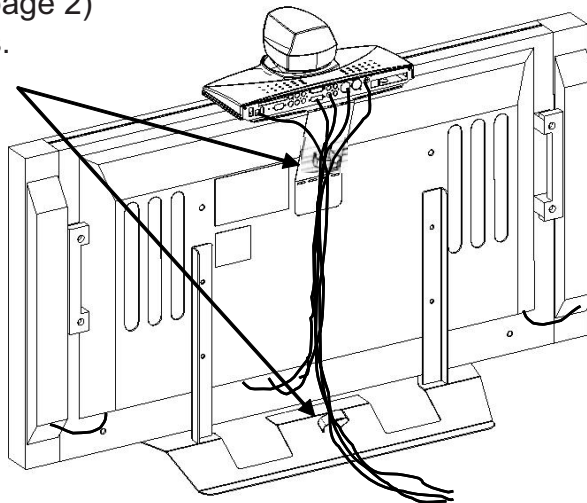
4. Place Set Top onto bracketed.



Place bracket and Set Top along edge of monitor



5. Connect cables (see page 2) and fixate in cable straps.



6. This is NOT a floor-standing system!  
Place the system on a flat and rigid surface or table.

