



EDELBROCK HEADERS
CATALOG #65932 (Ceramic-Coated) & 65933 (Ti-Tech Coated)
for 2000-2006 Jeep Wrangler, 2000-2001 Cherokee
& 1999-2001 Grand Cherokee
INSTALLATION INSTRUCTIONS

PLEASE study these instructions carefully before installing your Headers. If you have any questions, please call our **Technical Hotline at: 1-800-416-8628** from 7:00 am - 5:00 pm, Monday-Friday, Pacific Standard Time or e-mail us at **Edelbrock@Edelbrock.com**.

IMPORTANT NOTE:

Proper installation is the responsibility of the installer. Improper installation will void warranty and may result in poor performance and engine or vehicle damage.

SUGGESTED TOOLS FOR INSTALLATION:

- 1/4" & 3/8" Drive SAE & Metric Sockets, Ratchets & Extensions
- SAE & Metric Combination Wrenches
- Pliers, Screwdrivers, Penetrating Oil & Anti-seize
- Torque wrench

SPECIAL NOTICE: This Edelbrock part has received an Executive Order (E.O. #) from the California Air Resources Board (C.A.R.B.) making it legal for street use on pollution-controlled motor vehicles in all 50 states. To assist you with emissions equipment certification, we have included a silver fan shroud decal to help testing personnel verify that this part is a legal replacement part on the vehicle for which it is cataloged. The adhesive-backed decal should be affixed to your fan shroud next to the existing emission and engine specification decal. Do not cover your original equipment specification decal with the Edelbrock fan shroud decal.

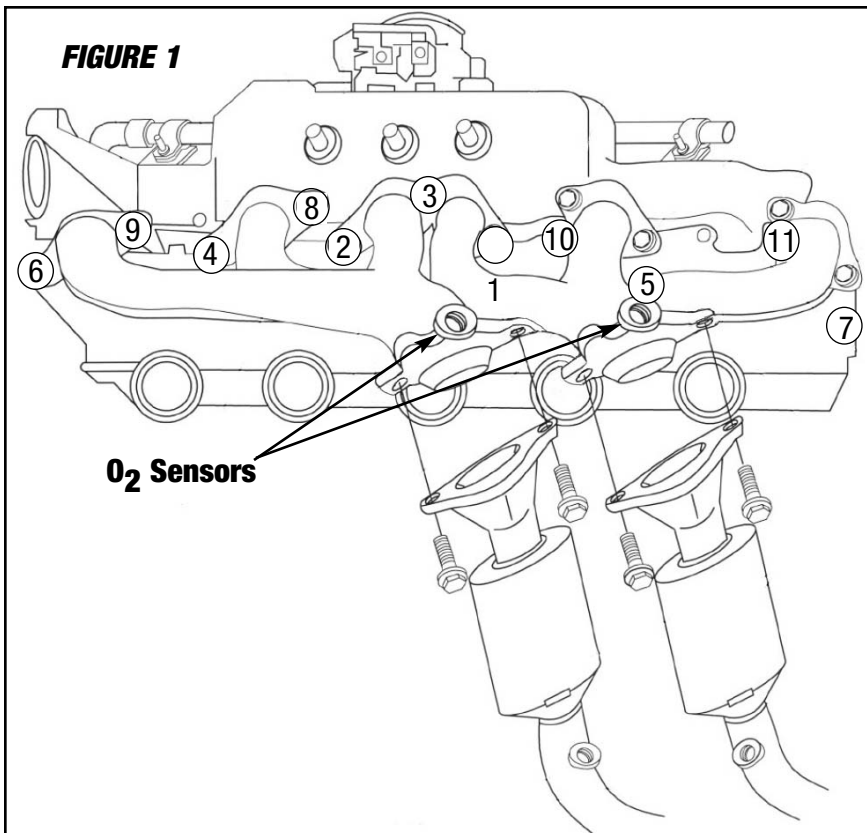
WARNING: The use of "Thermal Wrap" or any aftermarket coating process will void the warranty on your headers. Those products can cause excessive heat and moisture buildup resulting in corrosion and early failure of the system.

DISASSEMBLY

1. Remove the air inlet tube from the throttle body and move it aside. On some models, the air box assembly may need to be removed in order to relocate the air inlet tube.
2. On the intake manifold assembly, remove the throttle cable, transmission pressure cable and cruise control cable (if equipped).
3. Disconnect any electrical connectors and vacuum lines on the intake manifold and throttle body. Be sure to label the lines to ensure correct re-installation.
4. Remove the fuel line. Some models may require a special tool; if necessary, refer to service manual for more information.
5. Disconnect the O2 sensors and remove them from exhaust manifold.
6. Loosen the power steering set screws located on the pump. Loosen belt tensioner and remove the power steering belt. Next, disconnect the power-steering pump and bracket from the intake manifold.
7. Remove the hardware from head pipe and disconnect the head pipe from the exhaust manifold.
8. Loosen intake/exhaust bolts 3,6, and 7, but **DO NOT remove (see Figure 1)**. These bolts act as supports for the exhaust manifold. Remove all remaining intake/exhaust manifold bolts and set aside hardware for re-assembly (a 9/16" swivel socket may save time).
9. Remove the intake manifold from the engine block. Remove the remaining bolts (bolts 3, 6, and 7) and remove the exhaust manifold.
10. Inspect the exhaust and intake mounting surfaces of the cylinder head and remove any rust or carbon that might prevent the header or intake manifold from sealing. Be careful debris does not enter the engine ports.

ASSEMBLY

1. Install the supplied gasket onto the cylinder head dowels. Place a small amount of anti-seize on the threads of each of the eleven (11) factory intake and exhaust bolts.
2. Install the header onto the cylinder head and support with loosely installed bolts in locations 3, 6, and 7.
3. Install bolts 1, 2, 4, and 5 about three turns into engine block. Guide the intake manifold onto the cylinder head dowels. Loosely install all remaining intake/exhaust factory bolts. Be sure the header and intake manifold seats flush as bolts are tightened.
4. Torque all exhaust and intake manifold bolts to 25 ft. lbs. in the sequence shown in **Figure 1**. Insert the supplied conical gasket onto the headpipe. Re-connect headpipe to the header with the supplied 3/8" hardware.
5. Re-install the power steering pump and mount bracket to the intake manifold. Re-install the belt and adjust the belt tensioner to the vehicle specification.
6. Re-connect all vacuum and electrical connections on the intake manifold. Re-install the throttle cable, transmission pressure line cable and cruise control (if applicable).
7. Re-install the fuel line. Install and re-connect the exhaust O2 sensors.
8. Re-install the air inlet hose onto throttle body. Re-install the air cleaner assembly, if removed.
9. Re-connect the battery. Start the engine and listen for exhaust leaks. Check the fuel line for any leaks. Once normal operating temperatures have been reached, drive the vehicle and listen for any leaks or rattles. Correct as necessary.



KIT CONTENTS

Qty. Description

- 1 Header assembly (#25-9379)
(Ceramic-Coated)
- 1 Header assembly (#25-9377)
(Ti-Tech-Coated)
- 1 Port Flange Gasket
- 2 3/8 Hex Bolts
- 2 3/8 Hex Nuts
- 2 3/8 Flat Washers
- 2 3/8 Lock Washers
- 1 Donut Gasket

Edelbrock

Edelbrock Corporation, 2700 California Street, Torrance, CA 90503

Toll-Free Tech Line: 1-800-416-8628

Office: 310-781-2222

Tech E-Mail: edelbrock@edelbrock.com