



# Illustrated Parts List

## Model Series

# 12V800

TYPE NUMBERS  
0109 through 3118.

### TABLE OF CONTENTS

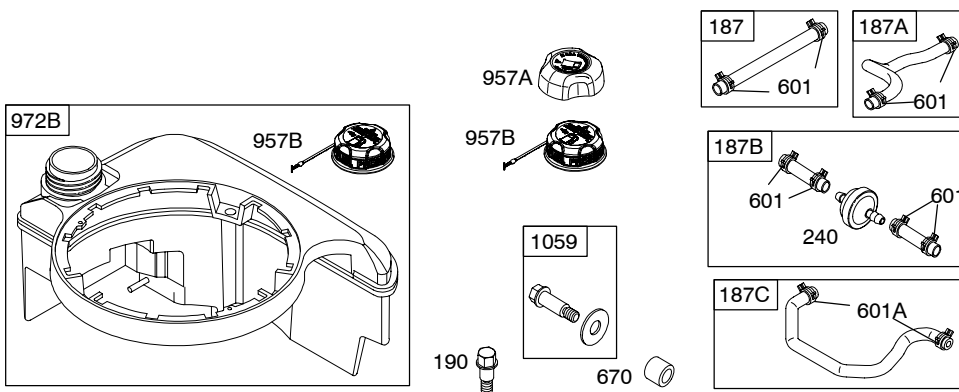
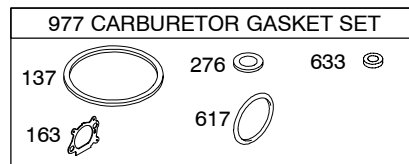
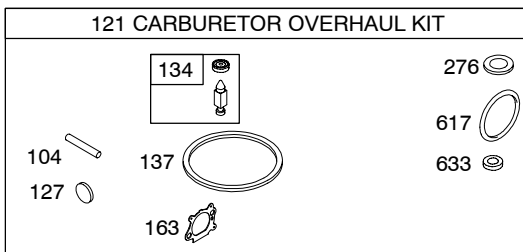
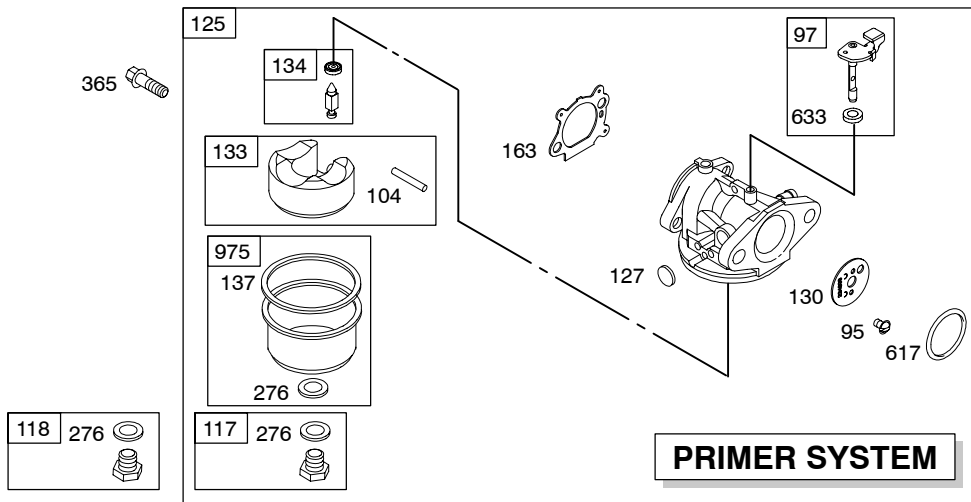
Alternator .....	6
Air Cleaner .....	4
Blower Housing/Shrouds .....	5
Camshaft .....	2
Carburetor .....	3
Controls .....	4
Crankshaft .....	2
Cylinder .....	2
Electric Starter .....	6
Electrical .....	6
Engine Sump .....	2
Exhaust System .....	4
Flywheel .....	5
Flywheel Brake .....	6
Fuel Supply .....	3
Governor Spring .....	4
Ignition .....	6
Kits/Gaskets .....	2 & 3
Lubrication .....	2
Piston Group .....	2
Rewind Starter .....	5
Valves .....	2

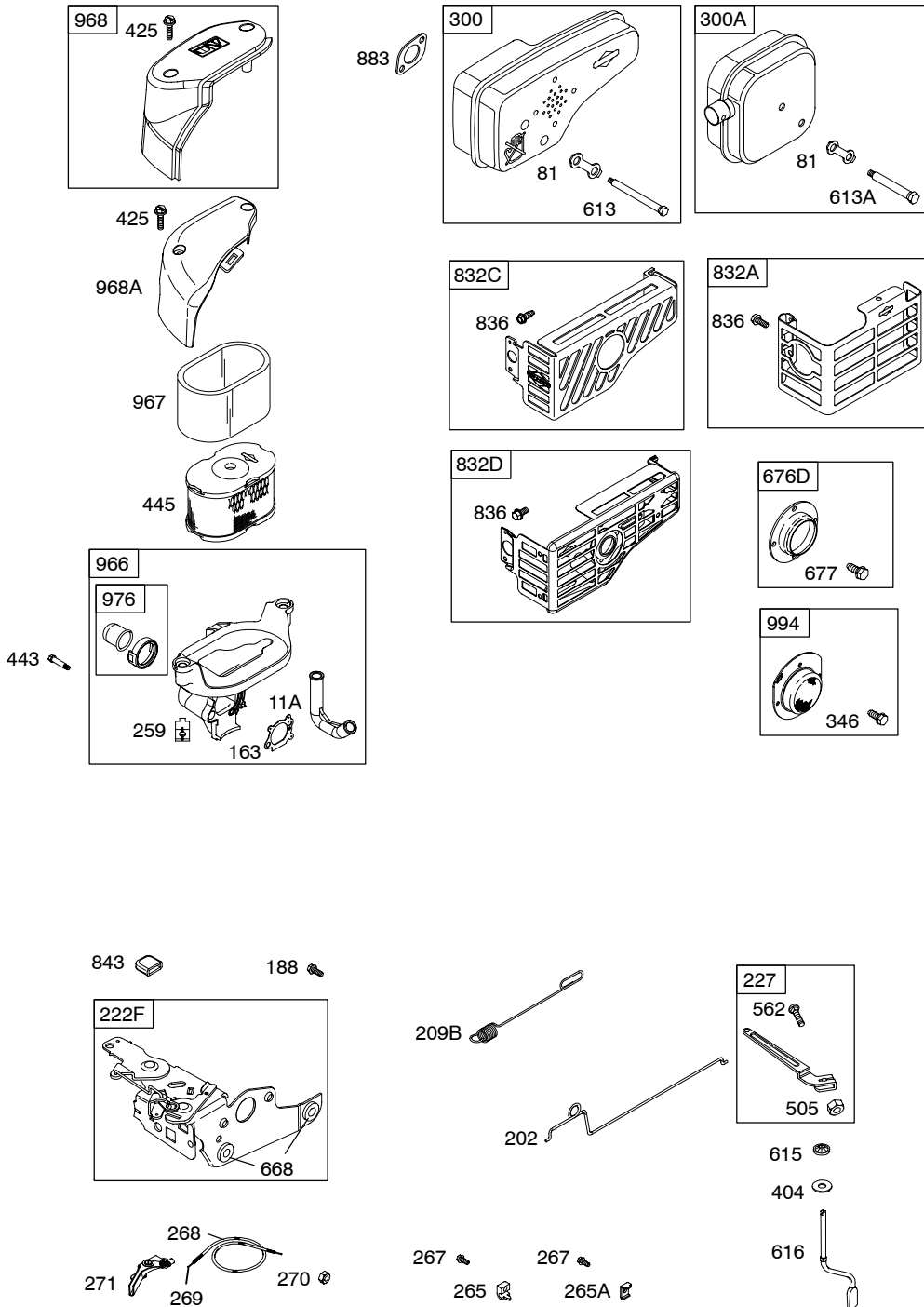
PRINTED IN U.S.A.



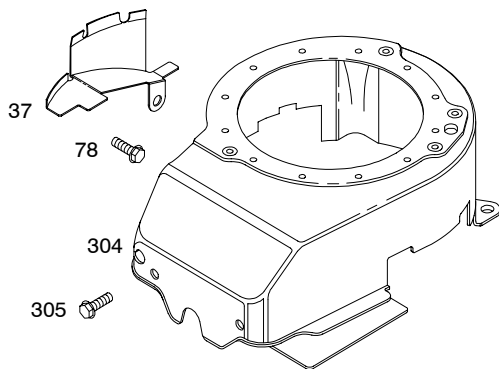
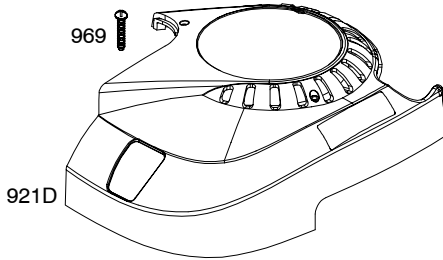
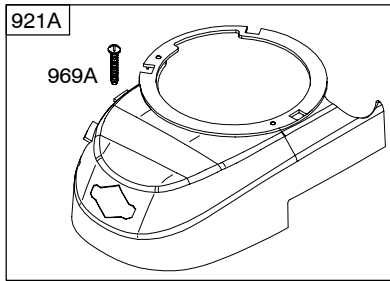
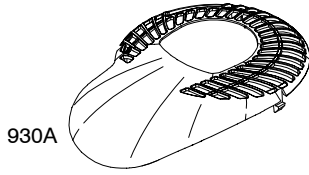
COPYRIGHT by BRIGGS & STRATTON CORPORATION  
All rights reserved. No part of this material may be reproduced or transmitted, in any form or by any means, electronic or mechanical, including photocopying, recording or by any information storage and retrieval system, without permission in writing from Briggs & Stratton Corporation.



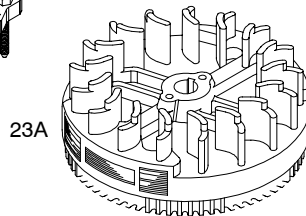
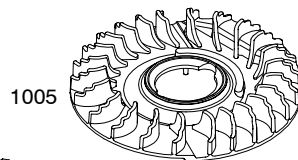
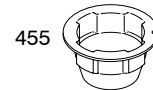
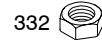
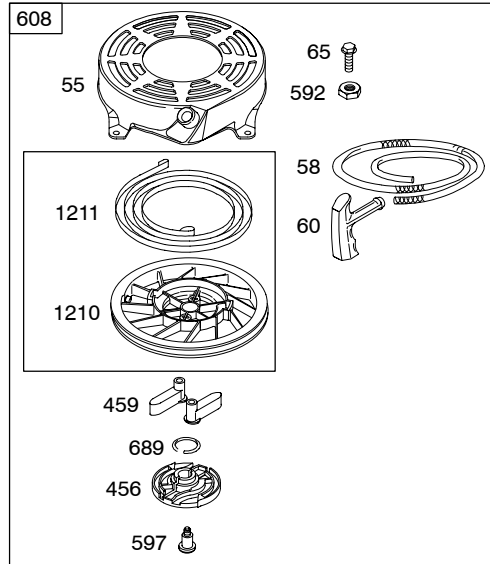


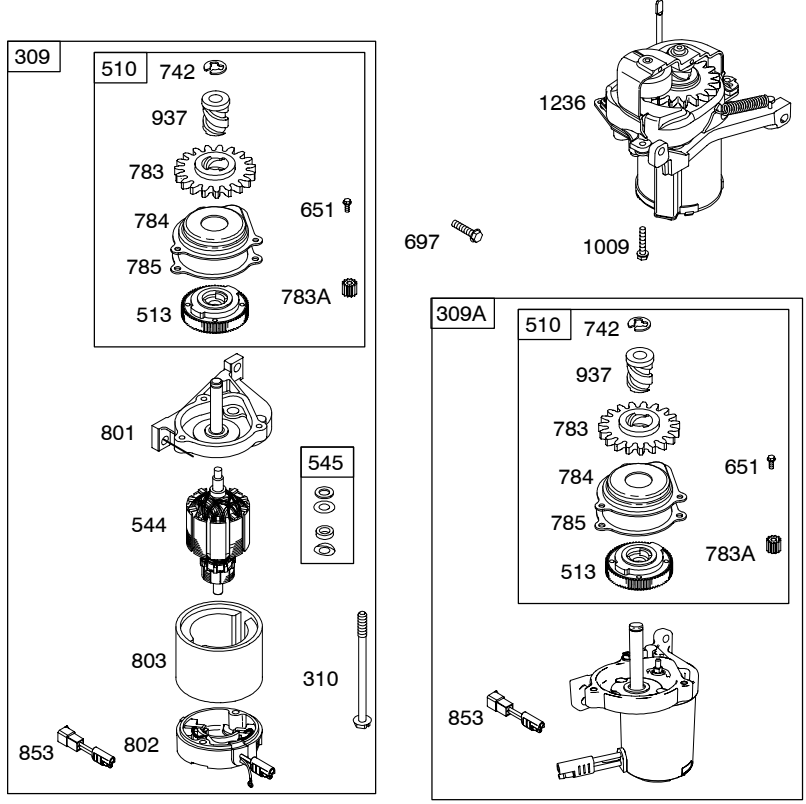
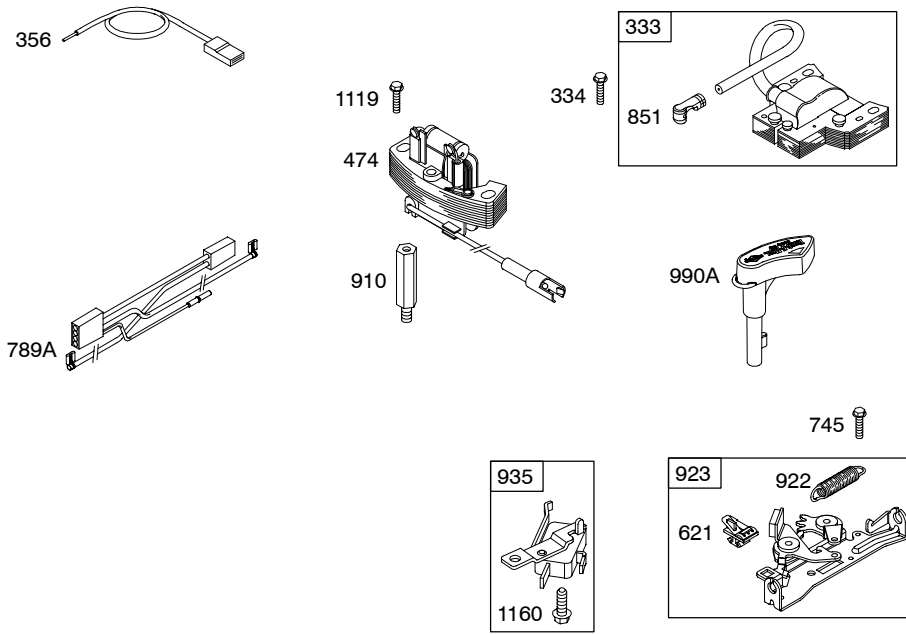


**Illustrations cover a range of engines. Parts shown without corresponding text may not be used on your specific engine.**  
**0875-4** Assemblies include all parts shown in frames. **12/05/2007**



1036 EMISSIONS LABEL





**Illustrations cover a range of engines. Parts shown without corresponding text may not be used on your specific engine.**  
**0875-6** Assemblies include all parts shown in frames. **12/05/2007**

REF. NO.	PART NO.	DESCRIPTION	REF. NO.	PART NO.	DESCRIPTION	REF. NO.	PART NO.	DESCRIPTION
1	697322	Cylinder Assembly	16	691451	Crankshaft (Used After Code Date 97011200).	20	★399781S	Seal–Oil (PTO Side)
2	399269	Kit–Bushing/Seal (Magneto Side)			----- <b>Note</b> -----	20A	★691952	Seal–Oil (PTO Side) (Auxiliary PTO)
3	★299819S	Seal–Oil (Magneto Side)			694442 Crankshaft (Used Before Code Date 97011300).	22	691092	Screw (Crankcase Cover/Sump)
4	493279	Sump–Engine ----- <b>Note</b> ----- 696294 Sump–Engine Used on Type No(s). 1783.			691452 Crankshaft (Used After Code Date 97011200). Used on Type No(s). 0630,0631,0666,0668, 1085,1766,1767,1777, 1778,1779,1780.	23A	691987	Flywheel ----- <b>Note</b> ----- 691992 Flywheel Used on Type No(s). 0667, 0668, 1731, 1734, 1767.
4A	493365	Sump–Engine (Auxiliary PTO)			694059 Crankshaft (Used Before Code Date 97011300). Used on Type No(s). 0630,0631,0666,0668.			696291 Flywheel Used on Type No(s). 1783.
5	691160	Head–Cylinder			691450 Crankshaft (Used After Code Date 97011200). Used on Type No(s). 0109,0180,0181,0183, 0191,1081,1091.	24	222698S	Key–Flywheel
7	★∅692249	Gasket–Cylinder Head			694440 Crankshaft (Used Before Code Date 97011300). Used on Type No(s). 0109,0180,0181,0183.			
8	695250	Breather Assembly			691454 Crankshaft (Used After Code Date 97011200). Used on Type No(s). 0182.			
9	★∅699833	Gasket–Breather			692000 Crankshaft (Used Before Code Date 97011300). Used on Type No(s). 0182.			
10	691125	Screw (Breather Assembly)			692994 Crankshaft (Used After Code Date 97011200). Used on Type No(s). 0625,1741,3118.			
11	691781	Tube–Breather			498878 Crankshaft (Used Before Code Date 97011300). Used on Type No(s). 1741.			
11A	691934	Tube–Breather			691455 Crankshaft Used on Type No(s). 1092.			
12	★692232	Gasket–Crankcase						
13	690912	Screw (Cylinder Head)						
15	691680	Plug–Oil Drain (Square Socket)						
15A	691093	Plug–Oil Drain (Hex Socket)						

★ Included in Engine Gasket Set–Ref. No.358.

● Included in Carburetor Overhaul Kit–Ref. No. 121.

◆ Included in Carburetor Gasket Set–Ref. No. 977.

∅ Included in Valve Gasket Set–Ref. No 1095.

**Illustrations cover a range of engines. Parts shown without corresponding text may not be used on your specific engine.**

# 12V800

REF. NO.	PART NO.	DESCRIPTION	REF. NO.	PART NO.	DESCRIPTION	REF. NO.	PART NO.	DESCRIPTION
<b>25</b>	<b>795429</b>	Piston Assembly (Standard) (Used After Code Date 07090300). ----- <b>Note</b> ----- <b>791097</b> Piston Assembly (Standard) (Used After Code Date 04031400 and Before Code Date 07090400). <b>493262</b> Piston Assembly (Standard) (Used Before Code Date 97011300). <b>795430</b> Piston Assembly (.020" Oversize) (Used After Code Date 07090300). <b>791326</b> Piston Assembly (.020" Oversize) (Used After Code Date 04102100 and Before Code Date 07040400). <b>499431</b> Piston Assembly (.020" Oversize) (Used After Code Date 97011200 and Before Code Date 04102200). <b>493386</b> Piston Assembly (.020" Oversize) (Used Before Code Date 97011300). <b>493387</b> Piston Assembly (.030" Oversize) (Used Before Code Date 97011300).	<b>26</b>	<b>795431</b>	Ring Set (Standard) (Used After Code Date 07090300). ----- <b>Note</b> ----- <b>791098</b> Ring Set (Standard) (Used After Code Date 04031400 and Before Code Date 07090400). <b>499425</b> Ring Set (Standard) (Used After Code Date 97011200 and Before Code Date 04031500). <b>493261</b> Ring Set (Standard) (Used Before Code Date 97011300). <b>795432</b> Ring Set (.020" Oversize) (Used After Code Date 07090300). <b>791324</b> Ring Set (.020" Oversize) (Used After Code Date 04102100 and Before Code Date 07090400). <b>499427</b> Ring Set (.020" Oversize) (Used After Code Date 97011200 and Before Code Date 04102200). <b>493389</b> Ring Set (.020" Oversize) (Used Before Code Date 97011300). <b>493390</b> Ring Set (.030" Oversize) (Used Before Code Date 97011300).	<b>27</b>	<b>691866</b>	Lock-Piston Pin (Used After Code Date 97011200). ----- <b>Note</b> ----- <b>691588</b> Lock-Piston Pin (Used Before Code Date 97011300).
						<b>28</b>	<b>499423</b>	Pin-Piston (Standard) (Used After Code Date 97011200). ----- <b>Note</b> ----- <b>298909</b> Pin-Piston (Standard) (Used Before Code Date 97011300). <b>298908</b> Pin-Piston (.005" Oversize) (Used Before Code Date 97011300).
						<b>29</b>	<b>499424</b>	Rod-Connecting (Standard) (Used After Code Date 97011200). ----- <b>Note</b> ----- <b>490566</b> Rod-Connecting (Standard) (Used Before Code Date 97011300).
						<b>32</b>	<b>691664</b>	Screw (Connecting Rod)
						<b>32A</b>	<b>695759</b>	Screw (Connecting Rod) (Used After Code Date 00042200).
						<b>33</b>	<b>262651S</b>	Valve-Exhaust
						<b>34</b>	<b>262652S</b>	Valve-Intake
						<b>35</b>	<b>691270</b>	Spring-Valve (Intake)

★ Included in Engine Gasket Set-Ref. No.358.

● Included in Carburetor Overhaul Kit-Ref. No. 121.

◆ Included in Carburetor Gasket Set-Ref. No. 977.

⊘ Included in Valve Gasket Set-Ref. No 1095.

**Illustrations cover a range of engines. Parts shown without corresponding text may not be used on your specific engine.**



REF. NO.	PART NO.	DESCRIPTION	REF. NO.	PART NO.	DESCRIPTION	REF. NO.	PART NO.	DESCRIPTION
36	691270	Spring-Valve (Exhaust)	101	691623	Pin-Shaft	125	698444	Carburetor (Used After Code Date 96060200).
37	694086	Guard-Flywheel	104	●691242	Pin-Float Hinge			----- <b>Note</b> -----
40	692194	Retainer-Valve	117	494870	Jet-Main (Standard)			<b>498254</b> Carburetor (Used Before Code Date 96060300).
43	691997	Slinger-Governor/Oil			(Used After Code Date 02092900).			
45	690548	Tappet-Valve			----- <b>Note</b> -----			
46	691449	Camshaft (Used After Code Date 96060200).			<b>498975</b> Jet-Main (Standard)	127	●694468	Plug-Welch
		----- <b>Note</b> -----			(Used After Code Date 96060200 and Before Code Date 02093000).	130	691203	Valve-Throttle ----- <b>Note</b> -----
		<b>492830</b> Camshaft (Used Before Code Date 96060300).			<b>497466</b> Jet-Main (Standard)			<b>696564</b> Valve-Throttle (Used With Plastic Throttle Shaft)
46A	691459	Camshaft (Counterclockwise) (Used After Code Date 96060200).			(Used After Code Date 95102900 and Before Code Date 96060300).	133	398187	Float-Carburetor
					<b>494870</b> Jet-Main (Standard)	134	●398188	Kit-Needle/Seat
50	497465	Manifold-Intake			(Used Before Code Date 95103000).	137	●693981	Gasket-Float Bowl
51	★272199S	Gasket-Intake				146	690979	Key-Timing
54	691650	Screw (Intake Manifold)				163★●	272653	Gasket-Air Cleaner
55	691421	Housing-Rewind Starter	118	497315	Jet-Main (High Altitude)	187	791766	Line-Fuel (Cut to Required Length)
58	697316	Rope-Starter (Cut To Required Length)			(Used After Code Date 02092900).	187A	791873	Line-Fuel (Molded)
60	281434S	Grip-Starter Rope			----- <b>Note</b> -----	187B	791891	Line-Fuel (Includes Filter) (Used After Code Date 05063000).
65	690837	Screw (Rewind Starter)			<b>497348</b> Jet-Main (High Altitude)			----- <b>Note</b> -----
78	691108	Screw (Flywheel Guard)			(Used After Code Date 96060200 and Before Code Date 02093000).			<b>692042</b> Line-Fuel (Includes Filter) (Used Before Code Date 05070100).
81	691740	Lock-Muffler Screw			<b>497315</b> Jet-Main (High Altitude)	187C	791875	Line-Fuel (Molded)
83	691778	Shaft-Auxiliary Drive			(Used Before Code Date 95103000).	188	690877	Screw (Control Bracket)
95	691636	Screw (Throttle Valve)				190	690940	Screw (Fuel Tank)
97	493267	Shaft-Throttle (Metal)	121	498260	Kit-Carburetor Overhaul	202	691829	Link-Mechanical Governor
		----- <b>Note</b> -----						
		<b>696565</b> Shaft-Throttle (Plastic)						

★ Included in Engine Gasket Set-Ref. No.358.

● Included in Carburetor Overhaul Kit-Ref. No. 121.

◆ Included in Carburetor Gasket Set-Ref. No. 977.

⊘ Included in Valve Gasket Set-Ref. No 1095.

**Illustrations cover a range of engines. Parts shown without corresponding text may not be used on your specific engine.**

# 12V800

REF. NO.	PART NO.	DESCRIPTION	REF. NO.	PART NO.	DESCRIPTION	REF. NO.	PART NO.	DESCRIPTION
<b>209B</b>	<b>699056</b>	Spring-Governor ----- <b>Note</b> ----- <b>691851</b> Spring-Governor Used on Type No(s). 0180, 0181, 0183, 0191, 0668, 1081, 1091, 1092. <b>691292</b> Spring-Governor Used on Type No(s). 0182, 0630, 0631, 0666, 0667, 1085, 1731, 1733, 1766, 1767, 1777. <b>691852</b> Spring-Governor Used on Type No(s). 1734.	<b>304</b>	<b>493293</b>	Housing-Blower ----- <b>Note</b> ----- <b>493294</b> Housing-Blower Used on Type No(s). 0181, 0183, 0191, 0667, 0668, 1092, 1731, 1734. <b>695892</b> Housing-Blower Used on Type No(s). 1787, 1788. <b>696298</b> Housing-Blower Used on Type No(s). 1783.	<b>425</b>	<b>691135</b>	Screw (Air Cleaner Cover)
						<b>443</b>	<b>690349</b>	Screw (Air Cleaner Primer Base)
						<b>445</b>	<b>497725S</b>	Filter-Air Cleaner Cartridge
						<b>455</b>	<b>791960</b>	Cup-Flywheel
						<b>456</b>	<b>692299</b>	Plate-Pawl Friction
						<b>459</b>	<b>281505S</b>	Pawl-Ratchet
						<b>474</b>	<b>691991</b>	Alternator
						<b>505</b>	<b>691251</b>	Nut (Governor Control Lever)
						<b>510</b>	<b>795093</b>	Drive-Starter
						<b>513</b>	<b>692358</b>	Clutch-Drive
			<b>305</b>	<b>691108</b>	Screw (Blower Housing)	<b>523</b>	<b>499621</b>	Dipstick
			<b>306</b>	<b>690450</b>	Shield-Cylinder	<b>524</b>	<b>★692296</b>	Seal-Dipstick Tube
			<b>307</b>	<b>690345</b>	Screw	<b>525</b>	<b>495265</b>	Tube-Dipstick
<b>222F</b>	<b>691436</b>	Bracket-Control (Remote/Manual Friction) (Compliance)	<b>309</b>	<b>695550</b>	Motor-Starter (Used Before Code Date 07052900).	<b>544</b>	<b>690786</b>	Armature-Starter
						<b>545</b>	<b>492919</b>	Washer Set (Starter Motor)
			<b>309A</b>	<b>795092</b>	Motor-Starter (Used After Code Date 07052800). (Cylinder Shield)	<b>562</b>	<b>92613</b>	Bolt (Governor Control Lever)
<b>240</b>	<b>298090S</b>	Filter-Fuel				<b>584</b>	<b>697734</b>	Cover-Breather Passage
<b>259</b>	<b>691189</b>	Bracket-Casing Clamp				<b>585</b>	<b>★691879</b>	Gasket-Breather Passage
<b>265</b>	<b>690798</b>	Clamp-Casing				<b>592</b>	<b>690800</b>	Nut (Rewind Starter)
<b>265A</b>	<b>691024</b>	Clamp-Casing				<b>597</b>	<b>691696</b>	Screw (Pawl Friction Plate)
<b>267</b>	<b>691044</b>	Screw (Casing Clamp)	<b>310</b>	<b>692327</b>	Bolt (Starter Motor)	<b>601</b>	<b>791850</b>	Clamp-Hose
<b>268</b>	<b>691025</b>	Casing-Control Wire (Cut To Required Length)	<b>332</b>	<b>690662</b>	Nut (Flywheel)	<b>601A</b>	<b>691038</b>	Clamp-Hose
<b>269</b>	<b>691026</b>	Wire-Control (Cut To Required Length)	<b>333</b>	<b>802574</b>	Armature-Magneto	<b>608</b>	<b>497680</b>	Starter-Rewind
			<b>334</b>	<b>691061</b>	Screw (Magneto Armature)	<b>613</b>	<b>691340</b>	Screw (Muffler)
<b>270</b>	<b>691027</b>	Nut (Control Wire Casing)	<b>337</b>	<b>802592S</b>	Plug-Spark	<b>613A</b>	<b>691653</b>	Screw (Muffler)
<b>271</b>	<b>691028</b>	Lever-Control	<b>346</b>	<b>690661</b>	Screw (Spark Arrestor)	<b>615</b>	<b>690340</b>	Retainer-Governor Shaft
<b>276</b>	<b>◆271716</b>	Washer-Sealing	<b>356</b>	<b>692390</b>	Wire-Stop	<b>616</b>	<b>698801</b>	Crank-Governor
<b>287</b>	<b>690940</b>	Screw (Dipstick Tube)	<b>358</b>	<b>497316</b>	Gasket Set-Engine	<b>617</b>	<b>◆270344S</b>	Seal-O Ring (Intake Manifold)
<b>300</b>	<b>692038</b>	Muffler (Tuned)	<b>363</b>	<b>19069</b>	Puller-Flywheel			
<b>300A</b>	<b>494343S</b>	Muffler (Square Lo Tone)	<b>365</b>	<b>691688</b>	Screw (Carburetor)			
			<b>383</b>	<b>89838S</b>	Wrench-Spark Plug			
			<b>404</b>	<b>690272</b>	Washer (Governor Crank)			

★ Included in Engine Gasket Set-Ref. No.358.

● Included in Carburetor Overhaul Kit-Ref. No. 121.

◆ Included in Carburetor Gasket Set-Ref. No. 977.

⊘ Included in Valve Gasket Set-Ref. No 1095.

**Illustrations cover a range of engines. Parts shown without corresponding text may not be used on your specific engine.**

REF. NO.	PART NO.	DESCRIPTION	REF. NO.	PART NO.	DESCRIPTION	REF. NO.	PART NO.	DESCRIPTION
621	692310	Switch-Stop	783	691918	Gear-Pinion (Starter) (19 Teeth)	847	692047	Dipstick/Tube Assembly
633	◆691321	Seal-Choke/Throttle Shaft (Throttle Shaft)	783A	691269	Gear-Pinion (12 Teeth)	851	493880S	Terminal-Spark Plug
635	66538S	Boot-Spark Plug	784	795095	Cover-Starter Gear	853	695268	Adapter-Wire
651	691660	Screw (Starter Gear Cover)	785	692352	Gasket-Starter Cover	868	697338	Seal-Valve
668	★493823	Spacer	789A	696547	Harness-Wiring (Used After Code Date 00040600).	869	691155	Seat-Valve (Intake)
670	692294	Spacer-Fuel Tank			----- <b>Note</b> -----	870	690380	Seat-Valve (Exhaust)
676D	497682	Deflector-Muffler (Side Out) (Extended)			691372 Harness-Wiring (Used Before Code Date 00040700).	910	691094	Stud (Alternator)
677	690661	Screw (Muffler Deflector)	801	690782	Cap-Drive	921A	695886	Cover-Blower Housing
684	690345	Screw (Breather Passage Cover)	802	695267	Cap-End (Used After Code Date 00040600).	921D	691339	Cover-Blower Housing
689	691855	Spring-Friction			----- <b>Note</b> -----	957A	692046	Cap-Fuel Tank (Plastic)
697	691127	Screw (Drive Cap)			695975 Cap-End (Used Before Code Date 00040700).	957B	699985	Cap-Fuel Tank (Plastic)
715	691147	Screw (Stop Shaft)	803	695266	Housing-Starter (Used After Code Date 00040600).	966	691439	Base-Air Cleaner Primer
718	690959	Pin-Locking			----- <b>Note</b> -----	967	273185S	Filter-Pre-Cleaner
721	690449	Stop-Shaft			695975 Housing-Starter (Used Before Code Date 00040700).	968	498997	Cover-Air Cleaner
741	794388	Gear-Timing (Use Without Woodruff Key) (Used After Code Date 07093000).	832A	691424	Guard-Muffler (Square Lo Tone)	968A	693198	Cover-Air Cleaner Used on Type No(s). 3118.
		----- <b>Note</b> -----	832C	691442	Guard-Muffler (Yardman Guard)	969	690700	Screw (Blower Housing Cover)
		790345 Gear-Timing (Use Without Woodruff Key) (Used Before Code Date 07100100).	832D	499034	Guard-Muffler (Used with Super Lo Tone Muffler Tuned)	969A	691138	Screw (Blower Housing Cover)
		691830 Gear-Timing (Uses Woodruff Key)			----- <b>Note</b> -----	972B	699374	Tank-Fuel (Plastic)
742	93941	Retainer-E Ring	836	690664	Screw (Muffler Guard)			699387 Tank-Fuel (Plastic) Used on Type No(s). 1783.
743	691772	Gear-Drive	842	★691031	Seal-O Ring (Dipstick Tube)	975	493640	Bowl-Float
745	691648	Screw (Brake)	843	691884	Lever-Sleeve (Speed Control)	976	694395	Primer-Carburetor
						977	498261	Gasket Set-Carburetor
						990A	695951	Key Set (Touch N Mow)
						994	398067	Arrestor-Spark
						1005	691346	Fan-Flywheel
						1009	696255	Screw (Starter Motor)

★ Included in Engine Gasket Set-Ref. No.358.

● Included in Carburetor Overhaul Kit-Ref. No. 121.

◆ Included in Carburetor Gasket Set-Ref. No. 977.

⊘ Included in Valve Gasket Set-Ref. No 1095.

**Illustrations cover a range of engines. Parts shown without corresponding text may not be used on your specific engine.**

# 12V800

REF. NO.	PART NO.	DESCRIPTION	REF. NO.	PART NO.	DESCRIPTION	REF. NO.	PART NO.	DESCRIPTION
1019	494256	Kit-Label ----- <b>Note</b> ----- 790231 Kit-Label (Touch N Mow)	1059	692311	Kit-Screw/Washer ----- <b>Note</b> ----- 696293 Kit-Screw/ Washer (Touch N Mow)	1211	498144	Pulley/Spring Assembly (Spring)
1036		Label-Emissions (Available From A Briggs & Statton Authorized Dealer)	1095	498528	Gasket Set-Valve	1236	695959	Starter-Mechanical (Touch N Mow) (Do Not Service Individual Parts, Only As A Whole)
1058	277039	Operator's Manual ----- <b>Note</b> ----- 277101 Operator's Manual (Touch N Mow)	1119	691648	Screw (Alternator)	1319	794467	Label-Warning
			1160	690345	Screw (Interlock Switch)	1330	270962	Manual-Repair
			1210	498144	Pulley/Spring Assembly (Pulley)			

★ Included in Engine Gasket Set-Ref. No.358.

● Included in Carburetor Overhaul Kit-Ref. No. 121.

◆ Included in Carburetor Gasket Set-Ref. No. 977.

∅ Included in Valve Gasket Set-Ref. No 1095.

**Illustrations cover a range of engines. Parts shown without corresponding text may not be used on your specific engine.**

0875-12

Assemblies include all parts shown in frames.

12/05/2007