

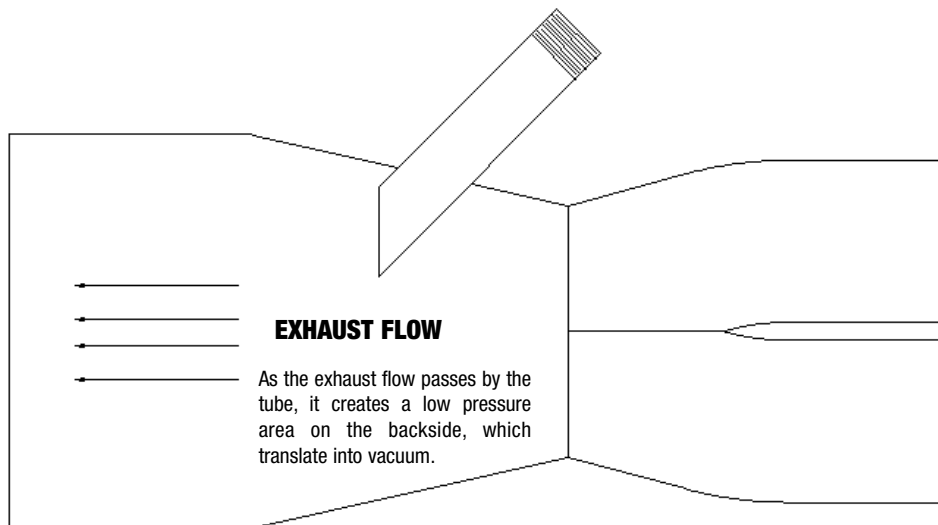


EDELBROCK VICTOR SERIES DRAG RACE HEADERS

Catalog #6551

KIT CONTENTS

Qty.	Part #	Description
☐ 1	25-9492	Left Side Header
☐ 1	25-9493	Right Side Header
☐ 2	25-9494	Slip-on Merge Collector
☐ 16	36-0710	3/8" - 16 x 1" Header Bolts (Header Flange)
☐ 2	52-9711	O2 Sensor Bungs (SS)
☐ 2	54-6550	Header Port Flange Gaskets (Fel-Pro)
☐ 4	60-8541	5/16"-18 Grade C Lock Nuts (Collector)
☐ 4	68-6550	5/16"-18 x 1-1/2" Grade 8 Hex Bolt (Collector)
☐ 2	79-9719	Evacuation Tubes (SS)
☐ 8	79-9720	Collector Mounting Tabs (SS)
☐ 8	82-3600	5/16" AN Washers (Collector)
☐ 16	82-5590	3/8" Split Lock Washers (Header Flange)



Note: Your Edelbrock Victor Series Race Headers include stainless steel evacuation tubes, O2 sensor bungs and collector mounting tabs to be installed, if needed. Collector mounting tabs should be installed after primary tube tuning has been completed. Evacuation tubes can be positioned on the collector where desired for best fit and hose routing. See the above diagram for recommended installation.

Edelbrock Corporation, 2700 California Street, Torrance, CA 90503

Toll-Free Tech Line: 1-800-416-8628

Office: 310-781-2222

Tech E-Mail: Edelbrock@Edelbrock.com