



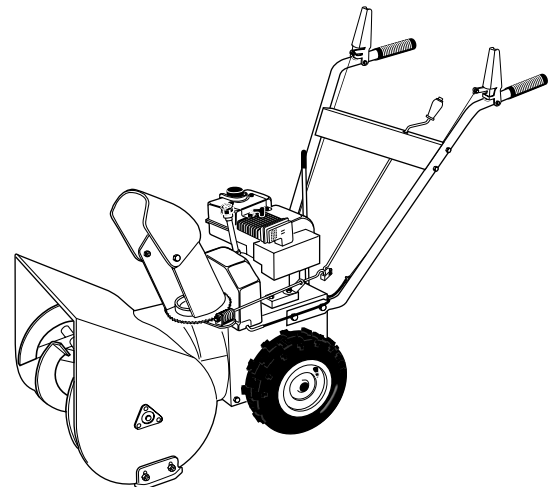
Parts Catalog

Snowthrower

Model

42027 — 21", 6 HP

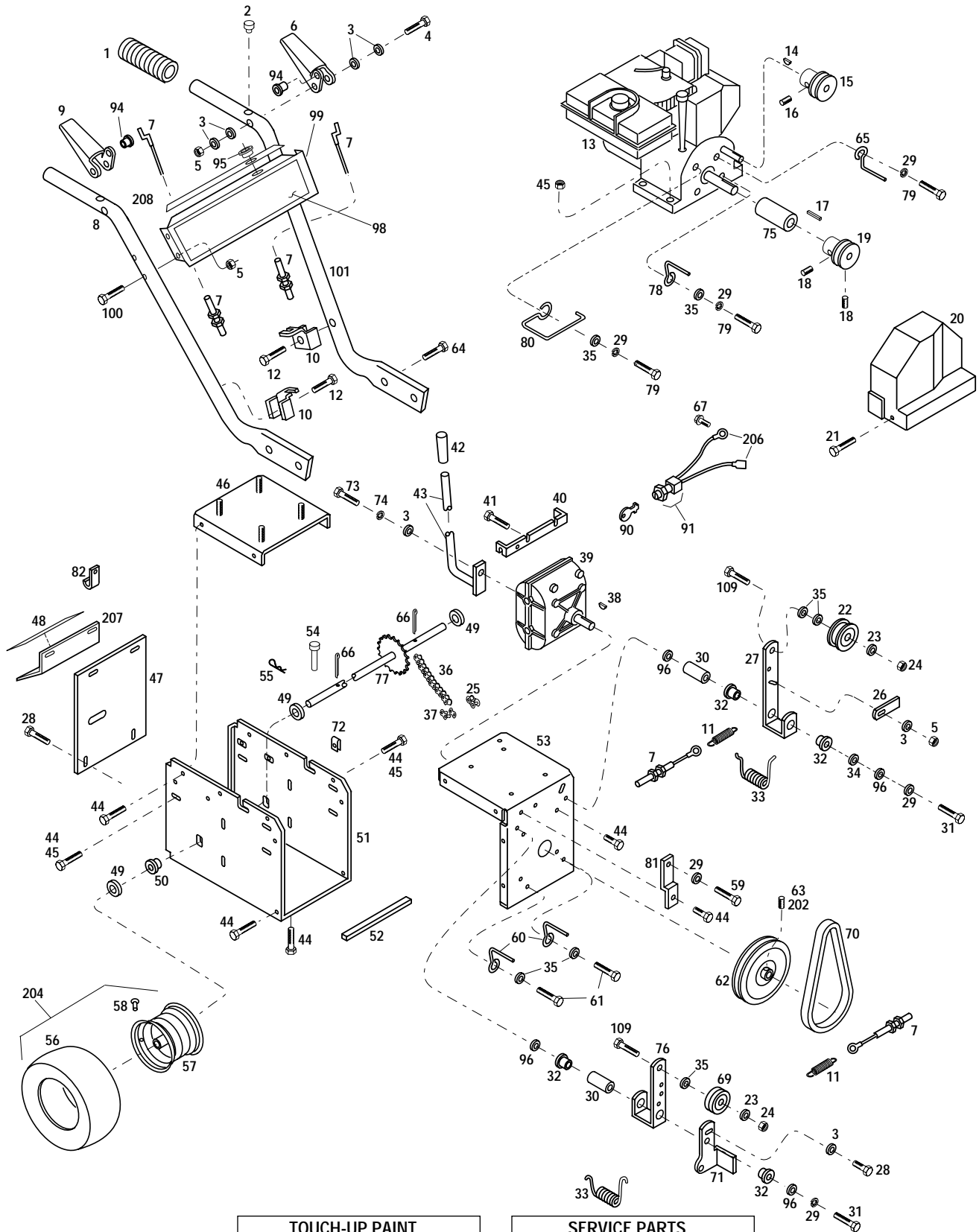
Serial Number:
420270100101 - 420271199999



21", 6 H.P. Snowthrower

TRACTOR ASSEMBLY

S/N: 420270100101- 420271199999



TOUCH-UP PAINT	
200	Black Spray Paint
201	Red Spray Paint

SERVICE PARTS	
202	Loctite 242
203	Tire Chains

Model 42027

Ref. #	Part #	Description	Qty.	Ref. #	Part #	Description	Qty.
1	1703539	Handle Grip	2	52	1750799	Rubber Pad	1
2	1750796	Bumper	2	53	1749299010	Frame Cover	1
3	1107381	Flat Washer, 1/4	11	54	1724760	Clevis Pin	2
4	1111601	Hex Bolt, 1/4-20 x 1-3/4	2	55	1717897	Hair Pin	2
5	1734398	Locknut, 1/4-20	7	56	1755827	Tire, 4.10/3.50 x 6.00	2
6	1745672001	Control Lever	1	57	1760189	Wheel Rim	2
7	1771727	Drive Cable	2	58	1718086	Valve Stem	2
8	1754177010	Handlebar - right hand	1	59	1100029	Hex Bolt 5/16-24 x 5/8	1
9	1745673001	Control Lever	1	60	1750704	Belt Guide	2
10	1749977001	Cable Bracket	2	61	1100044	Hex Bolt, 5/16-18 x 3/4	2
11	1752500	Extension Spring	2	62	1740127	Transmission Sheave	1
12	1754128	Thread Forming Screw, 1/4-20 x 3/4	2	63	1733185	Set Screw, 5/16-18 x 5/8	2
13	*	Tecumseh Engine, Model HSK60	1	64	1186328	Flange Screw, 5/16-18 x 5/8	4
14	1104435	Woodruff Key, 1/8 x 5/8	1	65	1759447	Belt Guide	1
15	1759446	PTO Sheave	1	66	1100351	Cotter Pin, 1/8 x 1-1/4	2
16	1103441	Set Screw, 1/4-20 x 3/8	2	67	1186299	Flange Screw, #10-32 x 3/8	1
17	1108852	Square Key, 3/16 x 3/4	1	69	1710566	Flat Idler	1
18	1185596	Set Screw, 5/16-18 x 5/16	2	70	1746379	V-Belt	1
19	1771238	Engine Sheave	1	71	1771750	Brake Arm	1
20	1754175	Belt Cover	1	72	1185986	Speed Nut, #10	2
21	1115815	Truss Screw, #10-24 x 5/8	2	73	1100002	Hex Bolt, 1/4-28 x 3/4	1
22	1729440	Idler Pulley	1	74	1100241	Lockwasher, 1/4	1
23	1100243	Lockwasher, 3/8	2	75	1740124	Spacer	1
24	1186231	Hex Nut, 3/8-16	2	76	1748443	Idler Arm	1
25	182087	Link - Offset	1	77	1758184	Axle	1
26	1751017	Idler Arm Stop	1	78	1720717	Belt Guide	1
27	1759444	Idler Arm	1	79	1100004	Hex Bolt, 5/16-24 x 3/4	3
28	1724492	Thread Forming Screw, 1/4-20 x 1/2	5	80	1758259	Belt Guide	1
29	1100242	Lockwasher, 5/16	5	81	1754158	Bracket	1
30	1748659	Spacer	2	82	1754159	Cable Clamp	2
31	1111608	Hex Bolt, 5/16-18 x 2-1/2	2	90	1753986	Key	2
32	1715538	Bearing - Nylon	4	91	1727321	Ignition Switch Assembly (Incl. Ref. 90) ..	1
33	1740102	Torsion Spring	2	94	1771728	Nylon Bearing	2
34	1100257	Flat Washer, 1/2	1	95	1185585	Grommet	1
35	1100255	Flat Washer, 5/16	7	96	1100254	Flat Washer, 1/4	4
36	1774473	Drive Chain #41	1	98	1774112	Decal, Logo	1
37	1185013	Connector Link	1	99	1774209	Console (Incl. Ref. 208)	1
38	1200033	Hi-Pro Key, 3/16 x 3/4	1	100	1100811	Hex Screw, 1/4-20 x 1-1/2	4
39	1740100	Transmission (See breakdown, page 6) ..	1	101	1754176010	Handlebar - left hand	1
40	1740139010	Reinforcement Bracket	1	109	1748393	Carriage Bolt, 3/8-16 x 1-3/4	2
41	1766984	Thread Forming Screw, 5/16-18 x 3/4 ..	2	200	1900706	Red Spray Paint, 13 oz. can	NI
42	1737041	Handle Grip	1	201	1735222	Black Spray Paint, 13 oz. can	NI
43	1774124010	Shift Handle	1	202	1757032	Loctite #242, .02 oz.	A/R
44	1186327	Flange Lock Bolt, 5/16-18 x 1/2	18	203	1725381	Tire Chains	NI
45	1186391	Flange Locknut, 5/16-18	6	204	1760190	Wheel and Tire Assembly, (Incl. Refs. 56, 57 & 58)	2
46	1758264010	Doubler Plate Assembly	1	205	1774199	Service Kit	1
47	1749291010	Rear Cover	1	206	1771748	Lead Assembly	1
48	1757862	Shift Decal	1	207	1774122	Bracket, Shift Decal	1
49	1739463	Flat Washer	4	208	1773817	Decal, Instructions	1
50	1739470	Bearing	2				
51	1773892010	Frame	1				

* Order parts from your local Tecumseh Power Products dealer. Refer to engine for model number, type number and code.

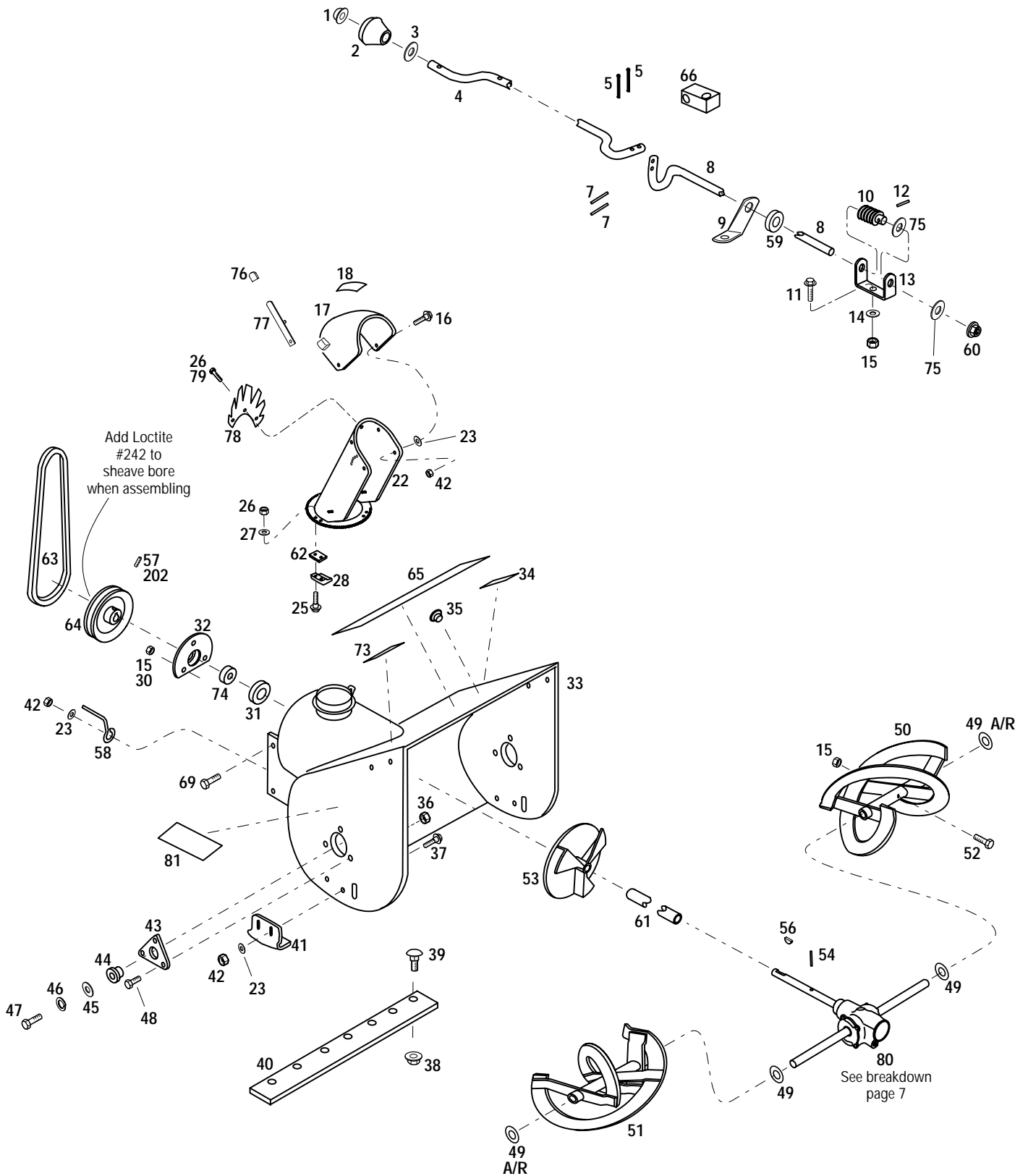
NI Item not included with unit. Order separately.

A/R As required.

21", 6 H.P. Snowthrower

AUGER ASSEMBLY

S/N: 420270100101- 420271199999



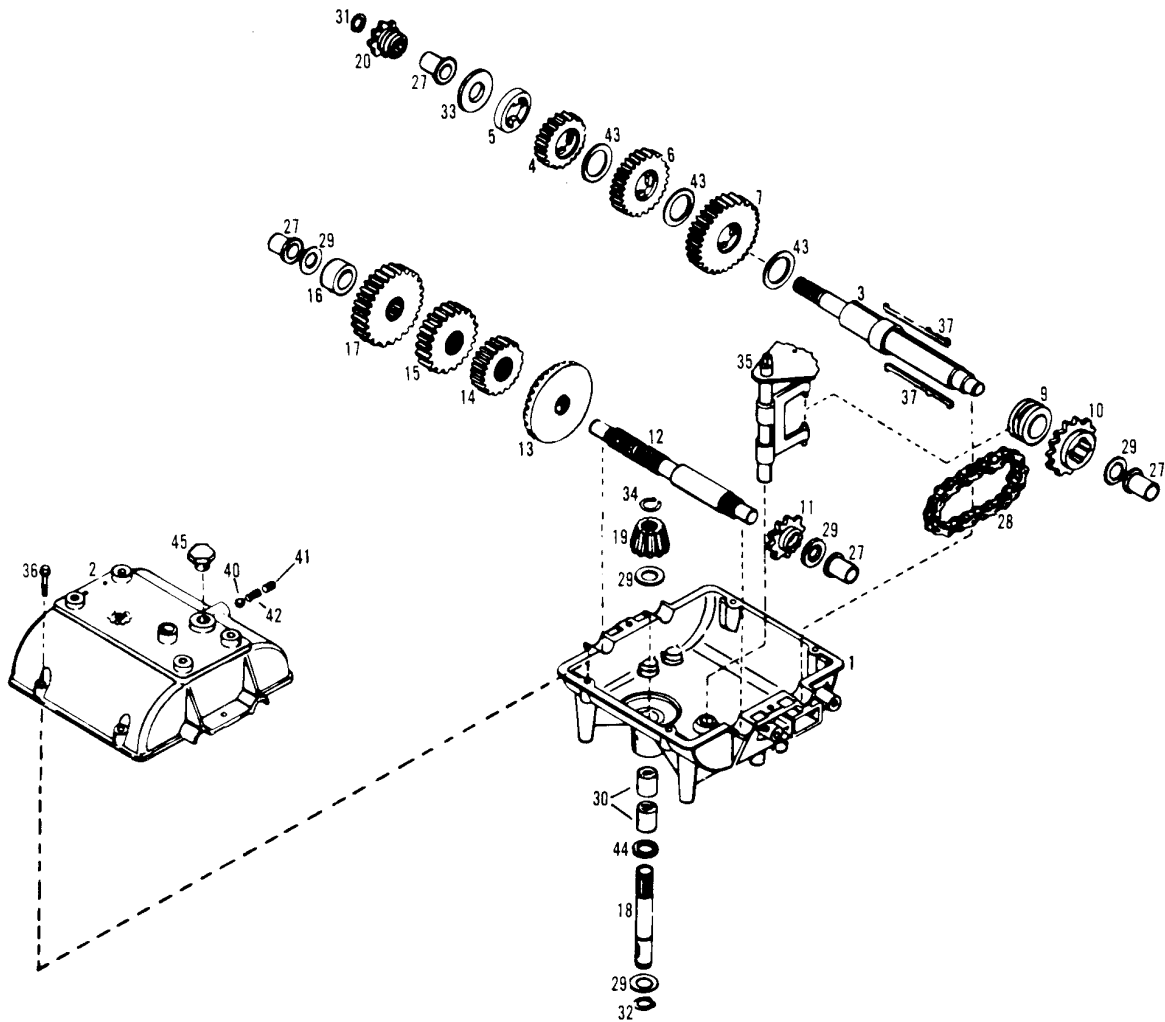
Ref. #	Part #	Description	Qty.	Ref. #	Part #	Description	Qty.
1	1724791	Push-On Cap	1	43	1720922	Support Bearing	2
2	1735868	Knob.....	1	44	1185846	Flange Bushing.....	2
3	1890945	Flat Washer, 3/8	1	45	1100257	Flat Washer, 1/2	2
4	1749283	Chute Control Crank	1	46	1100245	Lockwasher, 1/2.....	2
5	1185147	Cotter Pin, 3/32 x 5/8.....	2	47	1100053	Hex Bolt, 1/2-13 x 3/4.....	2
7	1177625	Roll Pin, 1/8 x 3/4	2	48	1111599	Hex Bolt, 1/4-20 x 5/8.....	6
8	1773919	Chute Control Shaft	1	49	1185816	Special Washer.....	8
9	1774114	Crank Support	1	50	1740491001	Left Auger Blade.....	1
10	1724870	Worm Gear.....	1	51	1740490001	Right Auger Blade	1
11	1186329	Flange Bolt, 5/16 -18 x 3/4	1	52	1750515	Shear Bolt, 5/16-18	2
12	1724885	Drive Pin, 3/32 x 3/4.....	1	53	1740462001	Impeller	1
13	1735869	Gear Support.....	1	54	1185348	Roll Pin, 1/4 x 1-1/4	1
14	1100255	Flat Washer, 5/16	1	56	1200033	Key, 3/16 x 3/4	1
15	1732499	Locknut, 5/16-18	8	57	1733185	Square Set Screw, 5/16-18 x 5/8.....	2
16	1100068	Hex Bolt, 3/8-16 x 3/4.....	2	58	1750703	Belt Guide.....	2
17	1759142	Cap Assembly (Incl. Ref. 18).....	1	59	1714243	Nylon Bushing.....	1
18	1750692	Warning Decal.....	1	60	1185984	Flange Nut	1
22	1771723010	Chute	1	61	1753356	Sleeve.....	1
23	1107383	Flat Washer, 3/8	8	62	1752460	Shim.....	3
25	1752461	Sems Screw , #10-24 x 7/8	6	63	1766808	V-Belt- 36"	1
26	1772333	Locknut, #10-24	9	64	1725282	Caster Sheave.....	1
27	1103959	Flat Washer, #10	6	65	1757859	Logo Decal	1
28	1724869	Hold Down Clip	3	66	1714782	Swivel Block	1
30	1103195	Hex Bolt, 5/16-18 x 5/8.....	3	69	1724491	Flange Bolt, 5/16-18 x 3/4	4
31	1185809	Ball Bearing	1	73	---	Not used.....	
32	1739488	Bearing Retainer	1	74	1719271	Shim Washer.....	1
33	1774210	Housing Assembly (Incl. Ref. 34).....	1	75	1737957	Nylon Washer.....	2
34	1750691	Warning Decal.....	1	76	1737499	Grip	1
35	1750969	Plug.....	2	77	1723643	Adjusting Lever	1
36	1734398	Locknut, 1/4-20	6	78	1771274	Chute Deflector	1
37	1186126	Carriage Bolt, 3/8-16 x 3/4.....	4	79	1737940	Truss Head Bolt. 10-24	3
38	1186391	Flange Locknut, 5/16-18.....	5	80	1740471001	Gear Case Assembly (See Breakdown page 7)	1
39	1712059	Carriage Bolt, 5/16-18 x 1/2.....	5	81	1757861	Logo Decal	2
40	1749281010	Scraper Blade.....	1	202	1757032	Loctite #242, .02 oz.	NI
41	1728567010	Runner	2				
42	1733398	Locknut, 3/8-16	8				

NI Item not included with unit. Order separately.

A/R As Required

21", 6 H.P. Snowthrower

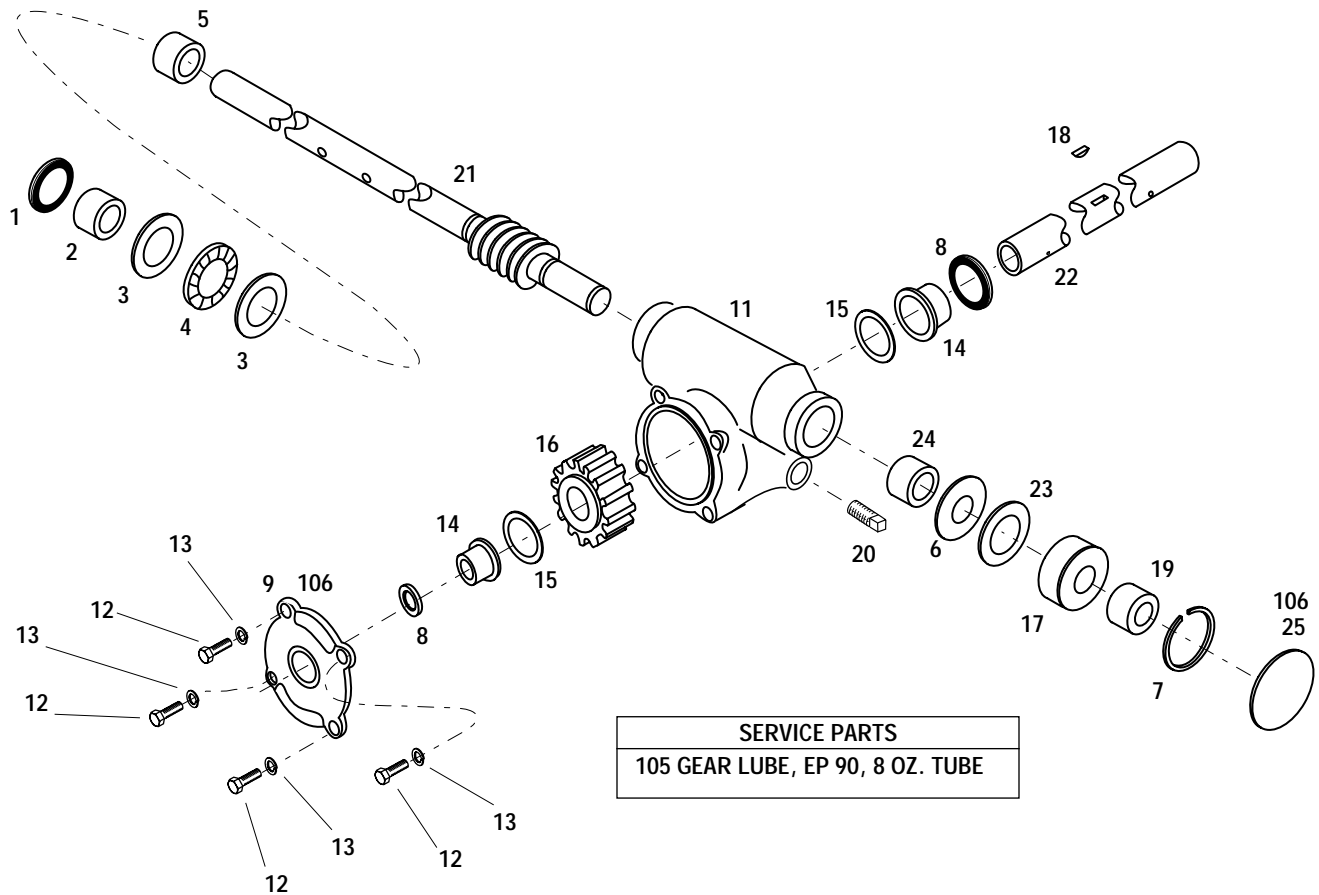
TRANSMISSION ASSEMBLY — PEERLESS MODEL 700—005



Order parts from your local factory-authorized Peerless/Tecumseh dealer.

Ref. #	Part #	Description	Qty.	Ref. #	Part #	Description	Qty.
1	776061	Case, Transmission	1	27	780105A	Bushing, Flanged	4
2	772083	Cover, Transmission	1	28	786062	Chain, Roller (No. 41 Chain, 22 Links)	1
3	776171	Shaft, Output	1	29	780072	Washer, Thrust	5
4	778121 A	Gear, Spur (20 Teeth)	1	30	780086	Bearing, Needle	2
5	786072	Spacer, Keyed	1	31	792072	Ring, Retaining	1
6	778124A	Gear, Spur (30 Teeth)	1	32	792035	Ring, Retaining	1
7	778125	Gear, Spur (35 Teeth)	1	33	780109	Washer	1
9	784266	Collar, Shift	1	34	788040	Ring, Retaining	1
10	786060	Sprocket (14 Teeth)	1	35	784270	Rod & Fork Assembly, Shift	1
11	786061	Sprocket (10 Teeth)	1	36	792073	Screw, Flanged Hex Head Thread-Forming, 1/4- 20 x 1-1/4	4
12	776134	Shaft, Counter	1	37	792089A	Key	2
13	778137A	Gear, Bevel (42 Teeth)	1	40	792077	Ball, Steel, 5/16"	1
14	778136	Gear, Spur (15 Teeth)	1	41	792078	Screw, Set, 3/8-16 x 3/8	1
15	778126A	Gear, Spur (20 Teeth)	1	42	792079	Spring	1
16	786071	Spacer	1	43	780108	Washer, Thrust	3
17	778129A	Gear, Spur (30 Teeth)	1	44	792001	"O" Ring	1
18	776135	Shaft, Input	1	45	792074	Plug	1
19	778113A	Bevel Pinion, Input	1				
20	786047	Sprocket (8 Teeth)	1				

GEAR CASE ASSEMBLY



Ref. #	Part #	Description	Qty.	Ref. #	Part #	Description	Qty.
1	1185224	Oil Seal	1	15	1185815	Thrust Race	2
2	1185374	Needle Bearing	1	16	1720933	Worm Gear, 20T	1
3	1185841	Thrust Race	2	17	1720763	Spacer	1
4	1185431	Thrust Bearing	1	18	1100276	Woodruff Key, 1/4 x 7/8	1
5	1741774	Spacer	1	19	1185568	Needle Bearing	1
6	1185842	Washer	1	20	1105620	Pipe Plug, 1/4-18	1
7	1118726	Internal Retaining Ring	1	21	1740468	Impeller Shaft	1
8	1773207	Oil Seal	2	22	1740472	Auger Shaft	1
9	1773170001	Gear Case Cover	1	23	1185840	Thrust Race	1
11	1735894001	Gear Case (case only)	1	24	1741775	Spacer	1
12	1741832	Bolt, 1/4-20 x 5/8	4	25	1112634	Welsh Plug	1
13	1100241	Lockwasher, 1/4	4	105	1700182	Gear Lube, EP 90, 8 Oz. Tube	NI
14	1185728	Flange Bearing	2	106	†	Sealant	A/R

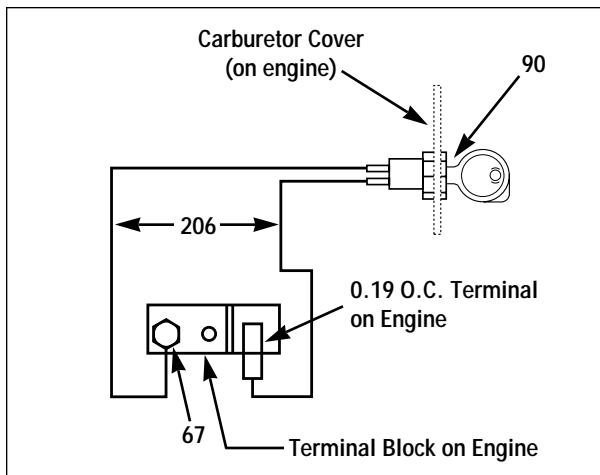
NI Item not included with unit. Order separately.

† Use General Electric SILMATE #RTV 1473 or equivalent.

A/R As required.

Wiring Diagram

Identification Numbers



See pages 3 & 4 for reference and part numbers and wiring component locations.

Record the model and serial numbers:

When ordering parts from us or your local servicing dealer, provide the information on the model/serial number decal. For convenience and ready reference, record this information in the spaces below:

Model Number: _____

Serial Number: _____

Date of Delivery: _____

Parts Ordering Information

For service or parts:

For service assistance or to order parts, contact your local authorized dealer or the factory (see below).

The local dealer or factory service department will need to know the identification numbers of the unit to provide the most efficient service. See below for information on how to identify and record the identification numbers for the unit.

For engine service or parts:

For engine service or parts, contact your local authorized engine dealer. Look in the yellow pages of the phone book under "Engines-Gasoline" for the name of your nearest authorized engine dealer. An authorized engine dealer can handle all parts, repairs, and warranty service concerning the engine.

Note:

All TROY-BILT® replacement parts must conform to our rigid quality specifications. Although some replacement parts we provide may vary slightly in shape, color or texture from the original parts, any variations will not affect the fit or performance of these parts on the unit.

WARNING

WE URGE USING ONLY GENUINE REPLACEMENT PARTS, WHICH MEET ALL THE LATEST REQUIREMENTS. REPLACEMENT PARTS MANUFACTURED BY OTHERS COULD PRESENT SAFETY HAZARDS, EVEN THOUGH THEY MAY FIT ON THIS UNIT!

IMPORTANT:

Left and right sides of the unit are determined by standing behind the unit, in the operator's position, and facing the direction of forward travel.

NOTICE:

We reserve the right to change specifications, add improvements or discontinue the manufacture of any of our equipment without notice or obligation to purchasers of our equipment.

For customer assistance, contact your nearest authorized dealer or:

GARDEN WAY INCORPORATED • 1 Garden Way • Troy, New York U.S.A. 12180
Customer Service: 1-800-437-8686 • Technical Service: 1-800-520-5520 • Parts Service: 1-800-648-6776 • FAX: (518) 391-7332

Outside the U.S.A. and Canada:
Customer Service: (518) 391-7007 • Technical Service: (518) 391-7008 • Parts Service: (518) 391-7006 • FAX: (518) 391-7332