



Edelbrock 65mm Throttle Body
For 1996-2001 Honda Acura Integra Type R

Catalog #4789

INSTALLATION INSTRUCTIONS

Please study these instructions carefully before installing your new throttle body. If you have any questions or problems, please call our Technical Hotline at: 1-800-416-8628, 7:00 am - 5:00 pm, Pacific Standard Time, Monday through Friday or e-mail us at edelbrock@edelbrock.com. Please fill out and mail your warranty card.

This part is street legal in all 50 states for use on 1996-2001 Honda Acura Integra Type R vehicles.

INSTALLATION INSTRUCTIONS

1. Please read through the entire instruction sheet to familiarize yourself with the installation before you begin.
2. Start the engine and check for loose connections or coolant/vacuum leaks, etc.
3. Disconnect the negative battery terminal.
4. Remove the air filter duct, all vacuum hoses, water (coolant) hoses and electrical connectors from the stock throttle body. Mark all hoses and wires to ensure that they are installed correctly on the new throttle body.
Note: Engine coolant may run from the hoses once disconnected. Plug the end of the hose temporarily.
5. Disconnect the throttle linkage by opening the throttle manually and slipping the cable from the cam groove on the linkage.
6. Remove the four nuts securing the throttle body to the intake manifold and remove it.
7. Remove the MAP (see Figure 1 for MAP sensor location) sensor from the factory throttle body. Use the new O-ring with the blue stripe from the kit contents to seal the MAP sensor to the new Edelbrock throttle body. Attach the MAP sensor to the new throttle body using the factory screws.
Note: To achieve the maximum benefits when re-using the factory intake manifold, you should match the opening on the intake manifold to the size of the new throttle body bore. The manifold should be port-matched OFF the engine and thoroughly cleaned prior to re-installation. If using Edelbrock Victor X PN 4764 or 4765, no grinding is needed. These manifolds are already bore-matched to this throttle body. Refer to the OEM owner's manual for removal/installation procedure of the intake manifold. Use the gasket as a template to mark the manifold for grinding.
8. Be certain the throttle body flange surface on the intake manifold is clean and free of debris. Using the factory nuts and bolts and the new gasket supplied in the kit, attach the throttle body to the intake manifold. Torque nuts and bolts down to 20 N·m or 14 ft. lbs.
9. Slip the throttle cable on the linkage arm.
10. Observe the throttle body while an assistant presses and releases the gas pedal to ensure that the throttle blade opens and closes completely as well as smoothly. Adjust the cable nut as necessary to achieve W.O.T.
11. Re-attach the air filter duct, all vacuum hoses, coolant hoses and electrical connectors to the new throttle body.
12. Re-connect the negative battery terminal.
13. Add coolant as necessary.
14. Start the engine and check for loose connections or coolant/vacuum leaks, etc.
15. After the engine is warmed up, check the idle speed (refer to owner's manual).

THROTTLE BODY KIT CONTENTS	
1	- Throttle Body to manifold gasket
1	- MAP sensor o-ring with blue stripe
1	- E.O. # fan shroud decal

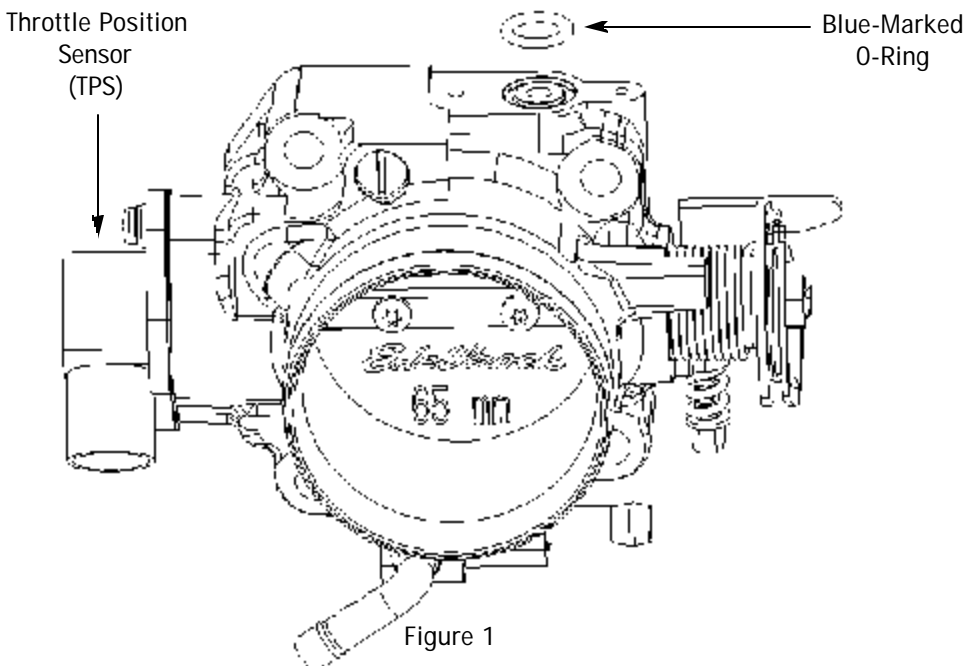
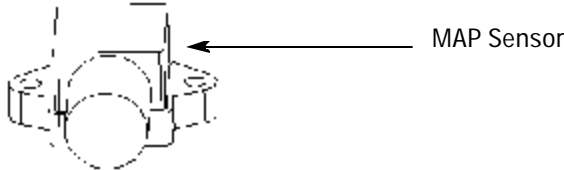


Figure 1

SPECIAL INSTRUCTIONS FOR E.O. NUMBER DECAL

SPECIAL NOTE: This Edelbrock part has received and Executive Order number (E.O. #) from the California Air Resource Board (C.A.R.B.) making it legal for street use on pollution-controlled motor vehicles in all 50 states. To assist you with emissions equipment certification, we have included a silver E.O. Number decal to help testing personnel verify that this part is a legal replacement part on the vehicle for which it is cataloged. The adhesive-backed decal should be affixed to your hood underside next to the existing emission and engine specification decal. Do not cover your original equipment specification decal with the Edelbrock E.O. Number decal.

Edelbrock Corporation
 2700 California Street
 Torrance, CA 90503
 Toll-Free Tech Line: 1-800-416-8628
 Office: 310-781-2222
 Tech E-Mail: edelbrock@edelbrock.com