



## TABLE OF CONTENTS

### Part #3530 and #3531

Introduction.....	1
Components.....	2
Preliminaries .....	3-5
Fuel System .....	6-9
Induction System.....	10-12
Sensors .....	13-15
O <sub>2</sub> Sensor Installation.....	15
Main System Harness.....	16-21
Ignition System.....	22-23
Other Applications.....	24
System Start-Up .....	24-27
Electronic Engine Management.....	28
Pro-Flo Quick Tuning Guide .....	29
Calibration Module Flowchart.....	30
Parts and Part Numbers.....	31-32
Service & Warranty .....	33

## INTRODUCTION

Thank you for selecting the Edelbrock Pro-Flo Fuel Injection System. These Multi-Point Fuel Injection Systems have been designed for 1967-1969 290-390 cid (#3530), and 1970-1991 304-401cid (#3531) AMC V8 engines, and are designed to provide excellent performance, fuel economy, and maintenance-free operation. Installation of the Edelbrock/ Pro-Flo Fuel Injection System involves modifications to the fuel system, ignition system, induction system, and possibly the valve train. Although there are steps that must take place before others, the modifications do not necessarily have to be performed in a particular order. Each modification is described in a separate section in this manual. Please study these instructions carefully before beginning installation of any part of the Pro-Flo system.

### Calibration Chips:

**Important Notice:** The Edelbrock Pro-Flo Fuel Injection System is shipped without the computer chip. The chip is necessary to operate the ECU. If the cam is any brand other than Edelbrock, check with manufacturer for compatibility with EFI. Complete the Chip Information Card and return to Edelbrock. We will send the computer chip within the continental U.S., free of charge via UPS second day air. Orders outside of the continental U.S. will be shipped via the best method at the same costs as continental UPS second day air. If requested, customers may pay for expedited shipping by providing a current Visa or Master Card. The chip installs into the System Computer in minutes. Additional chips are available for a nominal charge if you decide to change your cam. Edelbrock has chips for assorted cam profiles.

**If you have any questions, do not hesitate to call our  
EFI Technical Hotline at (800) 416-8628, 7am-5pm PST, Monday-Friday  
E-mail: [EFItech@edelbrock.com](mailto:EFItech@edelbrock.com)**



## COMPONENTS

- |  |   |
|--|---|
| <input type="checkbox"/> Electronic Control Unit/System ECU                        | <input type="checkbox"/> High Pressure Fuel Pump                                    |
| <input type="checkbox"/> Calibration Module  | <input type="checkbox"/> Fuel Filter  |
| <input type="checkbox"/> Distributor   | <input type="checkbox"/> Fuel Rail Assembly   |
| <input type="checkbox"/> Ignition Amplifier  | <input type="checkbox"/> Fuel Pressure Regulator                                    |
| <input type="checkbox"/> ECU Power Relay/Fuel Pump Relay                           | <input type="checkbox"/> Fuel Injectors   |
| <input type="checkbox"/> Manifold Absolute Pressure (MAP) Sensor                   | <input type="checkbox"/> Intake Manifold  |
| <input type="checkbox"/> Manifold Air Temperature (MAT) Sensor                     | <input type="checkbox"/> Four-Barrel Air Valve                                      |
| <input type="checkbox"/> Coolant Temperature Sensor (CTS)                          | <input type="checkbox"/> Idle Air Control (IAC) Solenoid, integrated with air valve |
| <input type="checkbox"/> Throttle Position Sensor (TPS), integrated with air valve | <input type="checkbox"/> Main System Harness  |
| <input type="checkbox"/> Oxygen (O <sub>2</sub> ) sensor                           | <input type="checkbox"/> Fuel Pump Harness  |
|  | <input type="checkbox"/> Installation Package                                       |

Many Pro-Flo components, including the Manifold Absolute Pressure sensor, fuel pressure regulator, Coolant Temperature sensor, and the fuel filter are standard OEM pieces. In the event that one of these parts needs to be replaced, you are likely to find a replacement at your local parts supplier, in addition to your local Edelbrock dealer or directly from Edelbrock. For a list of part numbers, refer to the **PART NUMBERS** section at the back of this manual.

## TOOLS AND EQUIPMENT

Use the following checklist for items needed.

- Box and open end wrenches
- Socket set
- Distributor wrench
- Pliers (channel locks and hose clamp)
- Screwdrivers (regular and Phillips)
- Torque wrench
- Hammer
- Gasket scraper or putty knife
- Timing light
- Vacuum gauge
- Rags
- Water bucket
- Harmonic balancer puller
- Dial indicator
- Drill and bits
- Hole saw (1 1/4-inch or 1 3/4-inch)
- Tubing wrenches
- Tubing cutter

## HARDWARE AND PARTS RECOMMENDED

- Intake gasket - Fel-Pro #MS96011 or OEM steel gasket ONLY
- Pipe plugs, if needed
- 5/16-inch steel tubing (approximate equal length to fuel pickup line in tank)
- Loctite 598 OEM High Temperature Silicone Gasket (O<sub>2</sub> Sensor Compatible)
- Radiator coolant
- Teflon tape
- Wiring diagram for your vehicle
- Intake Manifold Bolt kit #8534
- Spark plug wire set that will accept male towers on the distributor, unlike factory female plug wire towers.
- 195° Thermostat
- Resistor type spark plugs (Use the correct heat range for your particular application)

## PRELIMINARY CHECKLIST

### 1. CAREFULLY STUDY AND UNDERSTAND ALL INSTRUCTIONS, BEFORE BEGINNING THIS INSTALLATION.

**NOTE:** This installation can be accomplished using common tools and procedures. However, you should have a basic knowledge of automotive repair and modification and be familiar with and comfortable working on your vehicle. If you do not feel comfortable working on your vehicle, it is recommended to have the installation completed by a professional mechanic.

### 2. Examine the Pro-Flo system for possible shipping damage. If damaged, contact your dealer immediately.

### 3. The 3530 & 3531 kits are designed for use with a standard AMC V8 firing order.

### 4. Check all threaded manifold holes.

### 5. Check all internal manifold passages with a light and wire, making sure they are clean and unobstructed.

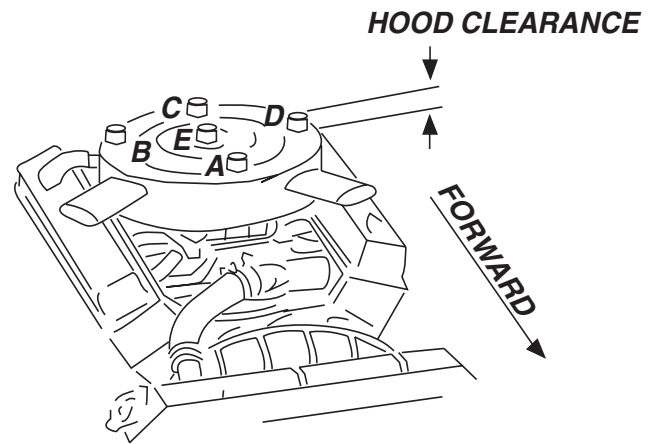
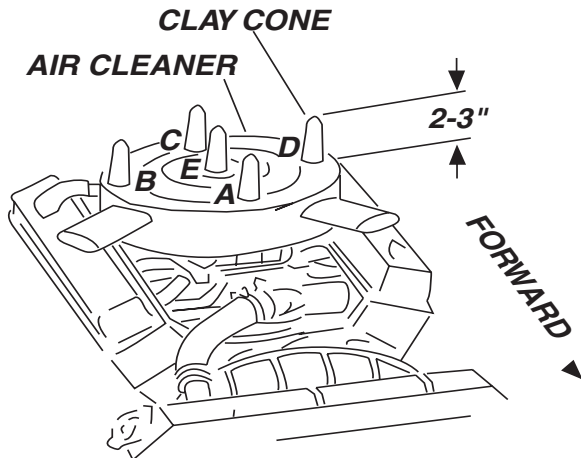
### 6. Check automatic transmission shift points before removal of your stock manifold and adjust linkage after Edelbrock manifold installation for same shift points (if needed).

**NOTE:** We recommend that you refer to this checklist again after installation to be sure that you have completed all steps.

## DETERMINING HOOD CLEARANCE

**NOTE:** Check hood clearance before removing stock manifold.

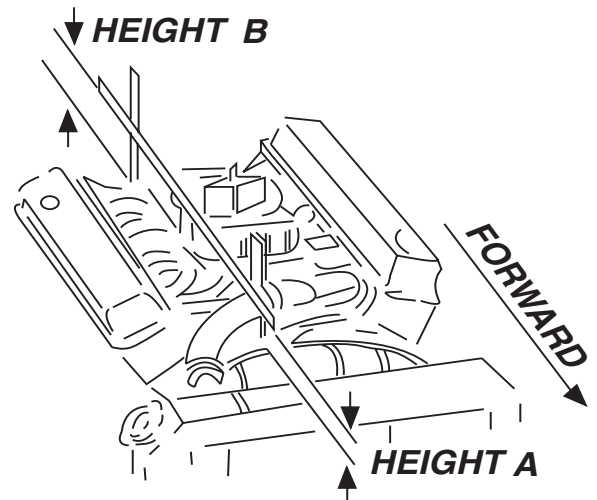
1. Use modeling clay or putty to make five small cones, two or three inches high.
2. Position cones on air cleaner at front, rear, each side, and on center stud.
3. Close hood to locked position and re-open.
4. The height of the cones indicate the amount of clearance between the hood and the air cleaner. Record these measurements.



## MANIFOLD & CARBURETOR HEIGHT VS. PRO-FLO HEIGHT

1. Remove air cleaner.
2. Lay a straightedge (such as a yardstick) across the top of the carburetor from front to back.
3. Measure from block and manifold end seal surfaces to straightedge.
4. Record these measurements (height A and height B).
5. Add height A and height B and divide by two to get the average height.
6. The Pro-Flo manifold (#3530 & 3531) measures: A = 5.40" by B = 6.65". The air valve measures 2.25".
9. Compare the two measurements. If the Pro-Flo unit is taller, subtract this amount from the hood clearance figure to determine new hood clearance.

**CAUTION:** You must maintain at least 1/2-inch clearance between the hood and air cleaner because of engine torque. If you have insufficient clearance, a low profile air cleaner may solve the problem.



## FUEL REQUIREMENTS

Because the Pro-Flo system uses an Oxygen sensor, you must use unleaded fuel only. Leaded fuels will damage the O<sub>2</sub> sensor. If you do use leaded fuel in your vehicle, do not install the O<sub>2</sub> sensor and do not operate the vehicle in the closed loop fuel mode.

## EMISSION CONTROLS

The Edelbrock Pro-Flo system will not accept stock emissions control systems. Check local laws for requirements before installing the Pro-Flo system. Not legal on pollution-controlled motor vehicles.

## **AUTOMATIC TRANSMISSION CHECK**

For best performance, economy, and emissions, the shift point must be checked before and after the manifold change.

**NOTE:** This check should be performed **ONLY** at a sanctioned drag strip or test track.

With the shifter in Drive, accelerate to wide open throttle from a standing start. Hold in this position, noting speedometer MPH when the transmission makes the first 1-2 shift. After the Pro-Flo system has been installed, make the same test, again noting MPH of this first shift.

The transmissions on certain vehicles require precise adjustments. We recommend that you consult a reputable transmission shop for final adjustments once the Pro-Flo system has been installed. Incorrect shift points can result in transmission damage.

## **ENGINE CLEANING**

Edelbrock recommends that the Pro-Flo system be installed on a clean engine in order to prevent dirt from falling into the engine lifter valley or intake ports.

1. Cover ignition. Use engine de-greaser and a brush to thoroughly clean the manifold and the area between the manifold and valve covers.
2. Rinse with water and blow dry.

## **EXHAUST MANIFOLD HEAT RISER VALVE & AIR INJECTION TUBES**

If your vehicle is equipped with an exhaust manifold heat riser valve (typically located on the passenger side of the vehicle below the exhaust manifold), remove the valve for proper operation. If applicable, any air injection tubes must be removed and holes in the exhaust manifold plugged for proper operation.

## **HEADERS**

For best performance, headers are highly recommended. The remainder of the exhaust system should be free flowing, preferably a dual exhaust system using low back pressure mufflers.

## **COOLING SYSTEM**

The minimum requirements for the thermostat are 180° but the ideal thermostat is 195°. When the vehicle is at 175 or below, system will stay in cold start mode and not perform properly.

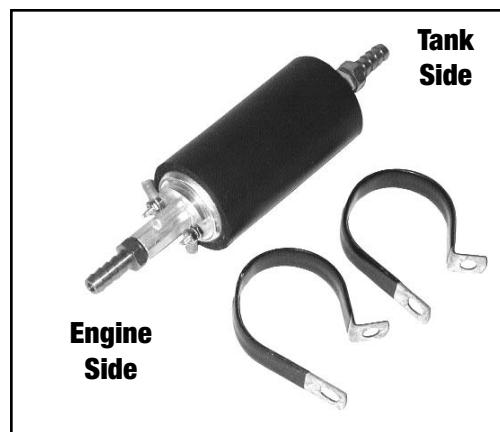
## **FUEL SYSTEM**

Because your Edelbrock Pro-Flo system controls fuel delivery very differently than a carburetor, some conversions to your fuel system are necessary. Pro-Flo electronic fuel injection requires high and constant fuel volume and fuel pressure. For this reason, a good primary fuel line is critical. The Pro-Flo system includes a 3/8-inch high pressure fuel line which must be used as the primary fuel line. The fuel that bypasses the injectors must be returned to the fuel tank via a return fuel line. If your vehicle is already equipped with a fuel pump bypass line, this line can be used as the return fuel line. If not, the original primary line may be used as the return line. If desired, an 8 foot length of 5/16 ID rubber hose is supplied for use as the return line.

Many late-model cars are equipped with an additional fuel line which runs to a charcoal canister mounted on the driver side of the vehicle. This line **MUST** be re-installed after the fuel system conversion and **MUST NOT** be used as the return fuel line.

### **FUEL PUMP AND FILTER**

The Pro-Flo system uses a single Edelbrock high-pressure electric fuel pump which is capable of pumping 50 psi. The pump relay will shut down the pump if it does not receive an engine-run signal from the ECU, as in the case of a stall. This safety precaution is necessary when using a high-pressure fuel line. The provided fuel filter should be mounted between the engine compartment and the fuel pump to allow fuel to be pushed through the filter rather than drawn through. Electrical connectors should face the front of vehicle.



### **FUEL PRESSURE REGULATOR**

Fuel pressure is as important as fuel volume, particularly in fuel injection. The Pro-Flo fuel pressure regulator maintains a constant pressure at the injectors with a spring loaded by-pass to the return fuel line. Manifold pressure references the regulator diaphragm to maintain constant pressure across all 8 injectors, regardless of fluctuating manifold pressure (vacuum) level. The fuel that is not injected is returned to the fuel tank via the return fuel line.



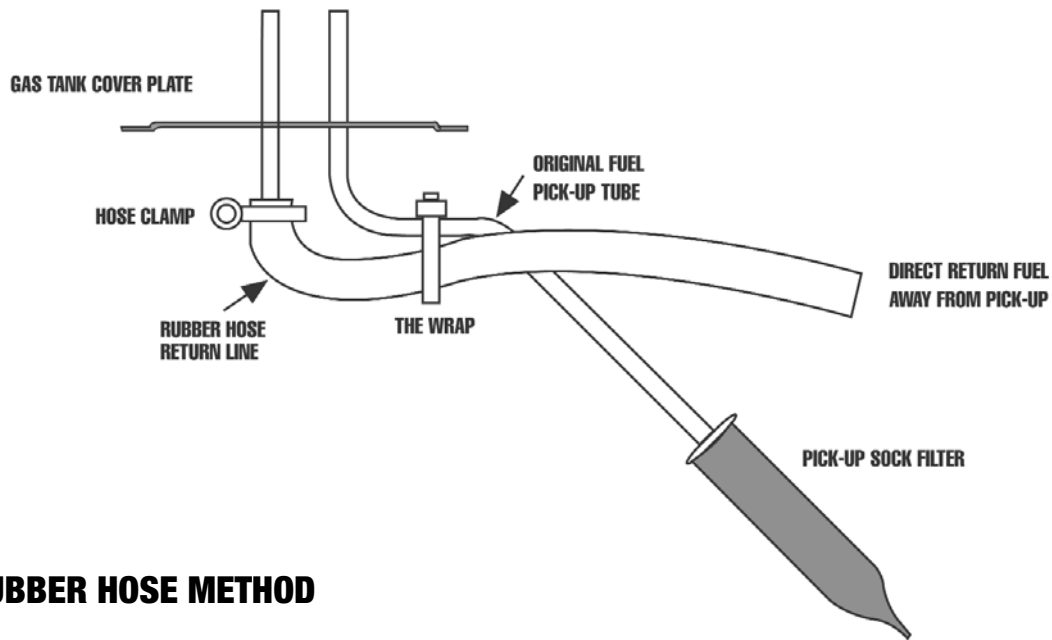
### **RETURN FUEL LINE**

Due to the high fuel pressure used by the Pro-Flo system, **the supplied 3/8-inch high pressure fuel line MUST be used as the primary fuel line**, and a bypass fuel return line must be installed. There are three options for installing a bypass return line.

1. Use the 5/16 rubber fuel line provided with the system as the fuel return line.
2. Use the vehicle's existing primary line as the fuel return line with modification to the pick up as described below.
3. Use the vehicle's existing return line (if so equipped) as the fuel return line. This option applies only to vehicles previously equipped with fuel injection. If the vehicle is not already equipped with a return line, some fuel tank modifications are required for routing the return line through the sending unit plate back into the tank. The first two methods listed below require some welding and should be done by a professional radiator or fuel system repair shop.

## RUBBER RETURN LINE METHOD

Drill a 5/16-inch hole in the sending unit plate adjacent to where the main line enters the tank. This will be the hole for your return line. Insert a short length of 5/16-inch hard line (available at most radiator shops) into the hole and weld it to the sending unit plate. The hard line should extend through the hole 1 to 2 inches on each side of the plate. Connect a length (at least 4 inches) of 5/16-inch rubber return line hose to the hard line that will extend into the tank. Connect the rubber line to the fuel pickup line using tie wraps.

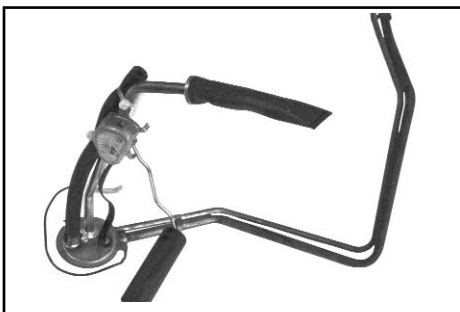


## RUBBER HOSE METHOD

## BULKHEAD FITTING METHOD

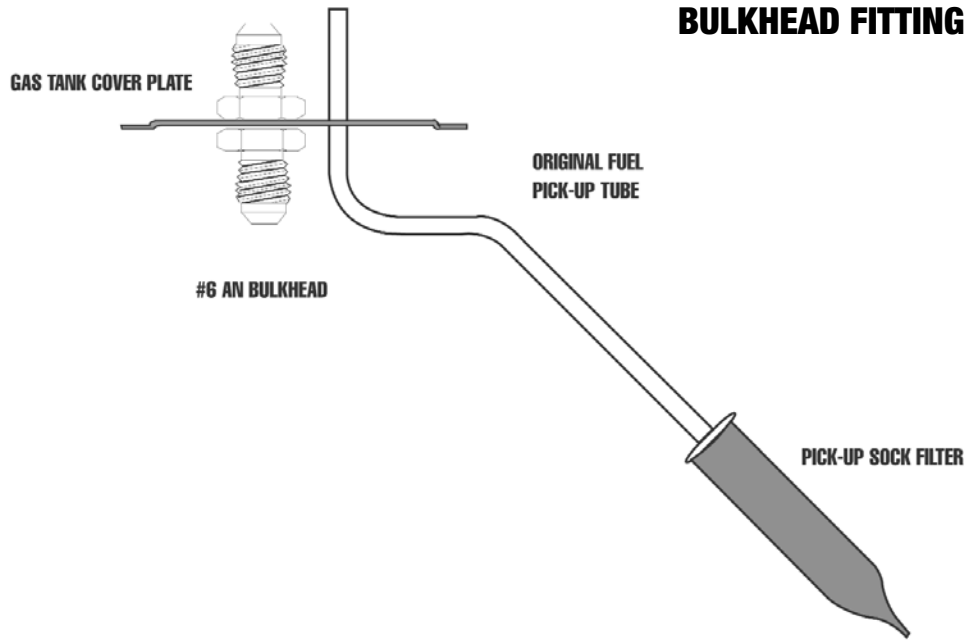
Drill a 9/16-inch hole in the sending unit plate adjacent to where the main line enters the tank. This will be the hole for your return line. Insert a #6 AN bulkhead fitting (available at most speed shops) into the hole, the narrow end of the fitting on the inside of the plate. Apply a metal washer with inter O-ring for seal. Connect a length (at least 4 inches) of flexible return line (rubber or braided hose) to the fitting end. Connect the return line to the fuel pickup line using tie wraps.

**NOTE: THIS METHOD REQUIRES NO WELDING OF THE FUEL SYSTEM.**



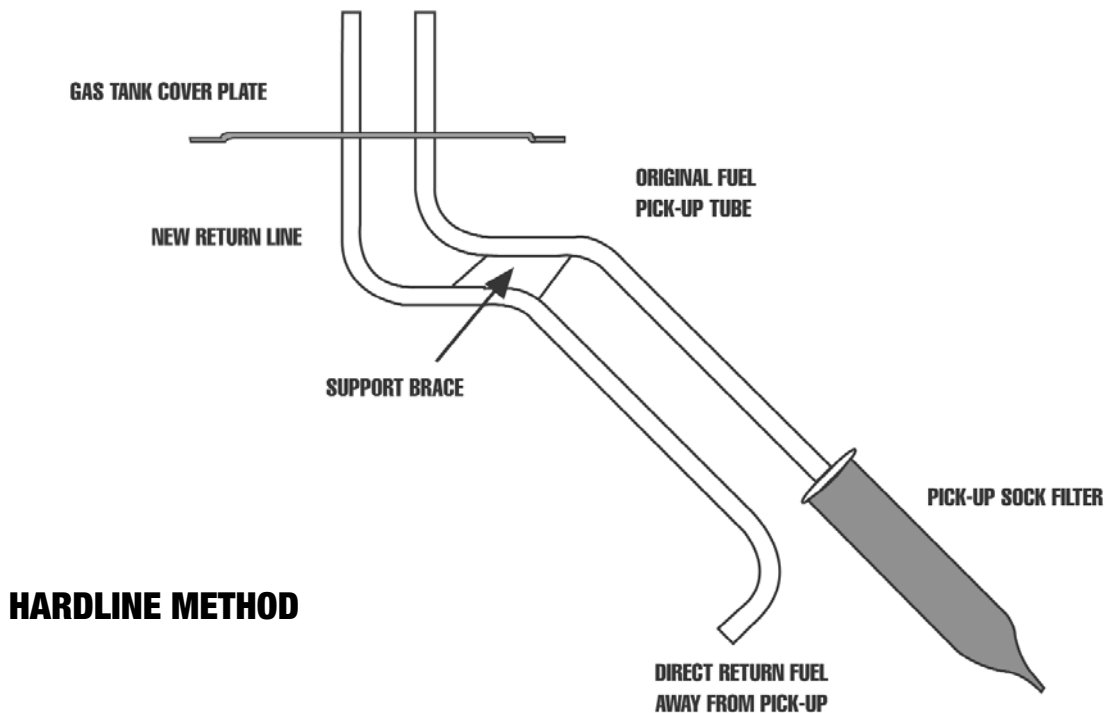
**NOTE:** Whichever method you use to install the return fuel line, be careful to keep the end of the line away from the fuel pickup, as shown. Otherwise, aerated return fuel can be drawn into the pickup.

## BULKHEAD FITTING METHOD



## HARD RETURN LINE METHOD

Drill a 5/16-inch hole in the sending unit plate adjacent to where the main line enters the tank. This will be the hole for your return line. Insert a length of 5/16-inch hard line (available at most radiator shops) into the hole and weld it to the sending unit plate. The hard line should extend through the hole 1 to 2 inches on the outside of the plate. On the inside of the plate, the hard line should follow the contours of the fuel pickup line. Bend the end of the return line away from the sock on the end of the fuel pickup line. Solder or weld the return hard line to the fuel pickup line.



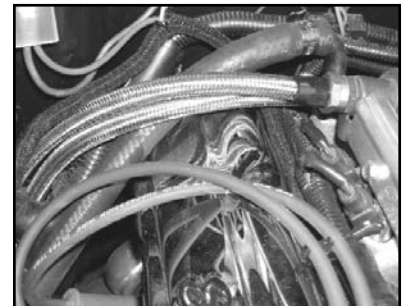
## HARDLINE METHOD



**NOTE: ALL WELDING AND SOLDERING OF THE FUEL SYSTEM MUST BE PERFORMED BY A PROFESSIONAL RADIATOR OR FUEL SYSTEM REPAIR SHOP.**

## FUEL SYSTEM INSTALLATION

1. Drain the fuel tank.
2. Remove all fuel lines from the tank and from the carburetor.
3. Remove the fuel tank.  
**NOTE:** While the fuel tank is removed from the car, it is recommended that it be professionally cleaned in order to remove any rust or dirt that may have accumulated inside and which could damage the injectors.
4. Remove the sending unit from the fuel tank. Refer to the RETURN FUEL LINE methods above for installing the bypass fuel return line.
5. Install the provided 3/8-inch primary fuel line directly above the original line, which may now serve as a return line. Use large radius bends. Avoid the exhaust pipe and any sharp edges.  
**NOTE:** The 3/8-inch high pressure fuel line supplied with the Pro-Flo system must be used as the primary fuel line.
6. If you do not use the original fuel as the return line, route the return line directly alongside the provided 3/8-inch primary fuel line.  
**NOTE:** In the application shown to the right, we routed our fuel supply and return lines down the passenger side of the engine and along the passenger side frame rail.
7. Mount the fuel pump between the tank and the fuel filter as low and as close to the fuel tank as possible. The pump is directional. Electrical connectors should face the front of vehicle. The fuel pump needs to be at or **below** the level of fuel in the tank.
8. Mount the fuel filter between the fuel pump and the engine.
9. Re-install the modified sending unit plate to the clean fuel tank.
10. Re-install the fuel tank.
11. Attach the primary line and return line to the sending unit plate on the tank.
12. Re-attach all other fuel lines at the tank (vapor purge lines, etc., if so equipped).
13. Secure the primary and return fuel lines with the provided tie-wraps, or with Adel clamps if available.
14. Re-attach all fuel lines to the induction system once it has been installed.
15. Use the 10-foot wiring harness to connect the fuel pump to the Main System Harness. Route the harness away from the exhaust pipe and any sharp edges. This harness may be cut to length. Replacement terminals are provided with the Pro-Flo system. Cover the connection to the positive terminal with the sleeve and tie wrap provided. Refer to the MAIN SYSTEM HARNESS section of this manual for details.
16. Before starting the engine, turn the ignition key to the "ON" position 4 or 5 times to prime the electric fuel pump, fuel lines, and fuel rails. You should hear the pump run for approximately 2 seconds each time. Check the entire fuel system for leaks. Refer to the SYSTEM START-UP section of this manual for details.

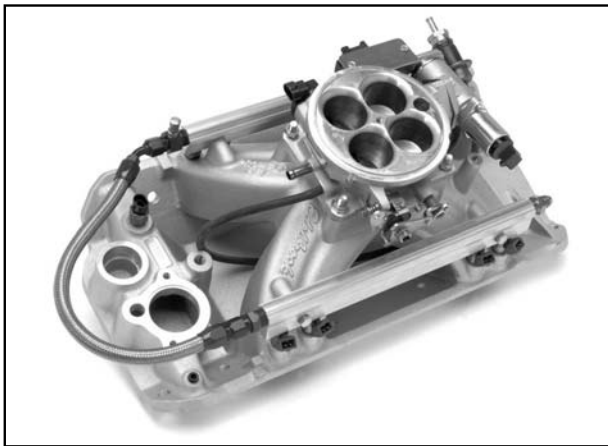


## **INDUCTION SYSTEM**

The Edelbrock Pro-Flo system delivers fuel and air to the engine via the induction system consisting primarily of a manifold, 4-barrel air valve, fuel rails, and fuel injectors. The induction system is fully assembled, tested, seal checked, and flowed at the factory and is as easy to install as a manifold. **DO NOT DISASSEMBLE** any of these components during installation, unless instructed.

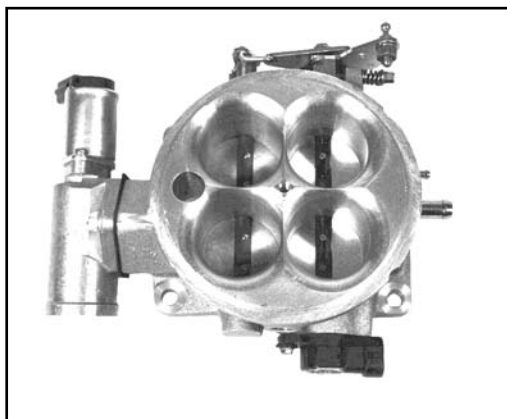
### **FUEL RAILS**

The extruded aluminum rail assembly routes the high pressure fuel to the injectors. Aluminum rails have an advantage over soft rails both in terms of style and safety.



### **INTAKE MANIFOLD**

The new Edelbrock manifold used with the Pro-Flo system is very similar to the successful Victor Jr. style of high-performance single-plane manifold, but has been designed specifically for electronic fuel injection applications.



### **4-BARREL AIR VALVE**

The Pro-Flo system uses a progressive linkage valve body with four throttles arranged in a conventional 4-barrel pattern, with staged secondaries. The air valve can flow up to 1000 cfm at 1.5" of mercury when wide open.



### **FUEL INJECTORS**

The Pro-Flo system uses high impedance Pico-type fuel injectors. These injectors are capable of flowing 29 lbs./hr. at 45 psi. The injectors mount directly onto the manifold, one at each port, for fuel delivery that is precisely controlled and instantaneously injected.

## PRE-INSTALLATION

Before installing the induction system, take the following steps to ensure successful installation and performance:

1. Check all components thoroughly for damage.
2. Make sure all throttle linkages open entirely and close freely.
3. Make sure all fuel inlet and vacuum ports are free from packing material.
4. Check the installation kit for proper parts.

## REMOVING THE STOCK CARBURETOR AND MANIFOLD

1. Disconnect battery.
2. For ease of installation, keep all parts in order.  
**CAUTION:** Do not remove manifold if engine is hot.
3. Drain the radiator coolant.
4. Remove gas cap to relieve pressure. Disconnect fuel line and plug. Replace gas cap.
5. Disconnect all linkage from carburetor such as throttle, throttle springs, transmission, cruise control and automatic choke.
6. Tag and remove coil wires and sensor wires.
7. Remove previously marked vacuum lines.
8. Remove radiator hose, thermostat housing and thermostat, if mounted on manifold.
9. Remove all brackets from the manifold.
10. Loosen or remove valve cover bolts for manifold removal and replacement. It may be necessary to replace valve cover gaskets, if broken, to prevent oil leakage.

## PORT SURFACE CLEANING

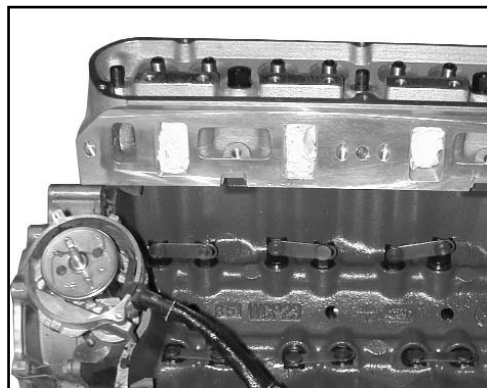
When cleaning old gaskets from head surfaces, lay rags in the lifter valley and stuff paper into the ports, to prevent pieces of the old gasket from falling into ports and combustion chambers. When clean, remove paper, making sure that all particles fall on the rags in the lifter valley. Remove rags, and wipe surfaces clean with rags soaked in lacquer thinner in order to remove oil or grease.

**NOTE:** This procedure is necessary to ensure proper sealing.

## INSTALLING FITTINGS, PIPE PLUGS, AND STUDS

Do not over-tighten or cross-thread fittings, pipe plugs, studs, or bolts in your aluminum manifold. Damage to threads or a cracked mounting boss may result unless caution is used when installing accessories.

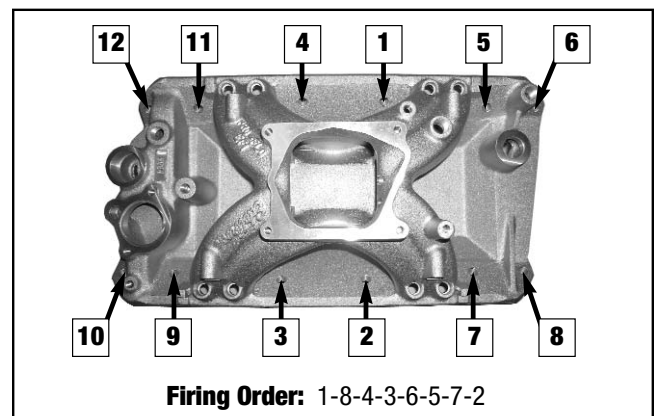
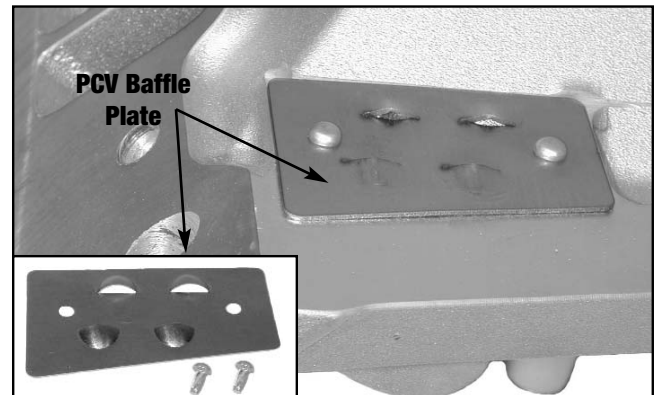
Use high quality pipe thread sealant on all threads. Install fittings from your stock manifold.



## GASKET SURFACE PREPARATION

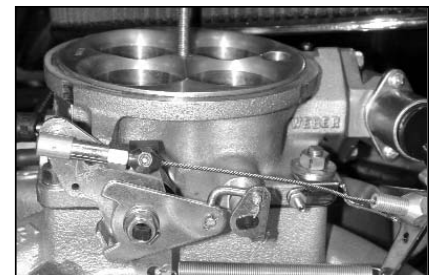
**CAUTION:** Replace all gaskets as recommended. We recommend using an OEM style metal pan intake gasket ONLY. Failure to use a valley pan will result in excessive oil consumption and improper manifold fit. DO NOT use competition type cork or rubber gaskets, or those that do not include a metal valley pan. Oil and/or coolant leaks may occur with the use of other style gaskets.

1. **Remove Fuel rails and Injectors:** Fuel injectors and fuel rails are assembled on the manifold and pressure tested. Installing the intake requires the removal of both fuel rails. Remove the two 1/4" bolts per fuel rail and flat washers. Carefully remove one fuel rail at a time and any remaining injectors from intake manifold.
2. Check gaskets on head surface and manifold to make sure they fit correctly.
3. Install the supplied PCV baffle plate with the supplied #8 x 3/8" drive screws. Tap them in gently until flush with the baffle plate.
4. Apply Loctite 598 OEM High Temperature Silicone Gasket around water passages on head surface.
5. Carefully place the pan gasket on head surface, aligning ports and bolt holes.
6. Edelbrock recommends the use of Loctite 598 OEM High Temperature Silicone Gasket instead of end seal gaskets. Apply a 1/4-inch thick bead of sealant across each end seal surface, overlapping the intake gasket at the four corners.  
**NOTE:** Use the recommended silicon sealer. Others may damage the O2 sensor. This method eliminates end seal slippage and deterioration.
7. Apply RTV gasket sealer around water passages on the manifold.
8. Surfaces will become tacky to the touch within a few minutes.



## INDUCTION SYSTEM INSTALLATION

1. Carefully position manifold and air valve on engine, centering bolt holes with the bolt holes in the head.
2. Apply thread sealer or Teflon tape to bolt threads where exposed to water or oil.
3. Hand tighten all bolts.
4. Torque all manifold bolts to 25 ft/lbs. Torque in the sequence as shown.
5. **Install Fuel rails and Injectors:** Lubricate injector O-rings (top and bottom) with O-ring type lubricant before sliding them into fuel rails. Push injectors into rails, making sure that the electrical connectors on injector bodies face up. Place fuel rail with pressure regulator on passenger's side with regulator toward rear of engine. Push down with enough force to seat lubricated O-rings in manifold, making sure not to damage O-rings. Once installed, secure rails with 1/4" bolts and flat washers to 8 ft-lbs( 96 In-lbs). When properly installed, the injectors should rotate freely by hand.
6. Re-connect throttle linkage and springs, transmission, cruise control, and fuel lines. Check all linkage for smooth throttle operation from idle to Wide Open Throttle.  
**Note: Do not install with a throttle rod, use a cable actuated throttle. Throttle rods will cause engine surge as the engine moves in its mounts.**
7. Re-tighten the valve cover bolts.



## **SENSORS**

The Edelbrock Pro-Flo system interprets overall engine operating conditions and fuel/spark requirements based on readings from sensors that measure specific engine conditions.

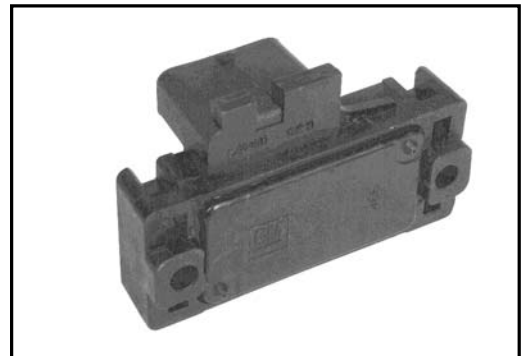
The Pro-Flo system includes five sensors:

- 1) Manifold Absolute Pressure
- 2) Manifold Air Temperature
- 3) Coolant Temperature
- 4) Throttle Position
- 5) Exhaust Oxygen (O<sub>2</sub>)

These sensors, with the exception of the O<sub>2</sub> and MAT (Manifold Air Temperature) sensors are designed as an integral part of the induction system and require no installation. The O<sub>2</sub> sensor must be installed on the exhaust pipe near the engine with a welded fitting, and the MAT sensor must be installed into the air cleaner base.

### **MANIFOLD ABSOLUTE PRESSURE SENSOR**

The Manifold Absolute Pressure sensor, mounted on the air valve with a bracket, converts air pressure (load) in the manifold, to an analog signal sent to the ECU. For more information on Manifold Absolute Pressure, refer to the section on Speed Density Electronic Engine Management. This sensor is connected to the Main System Harness.



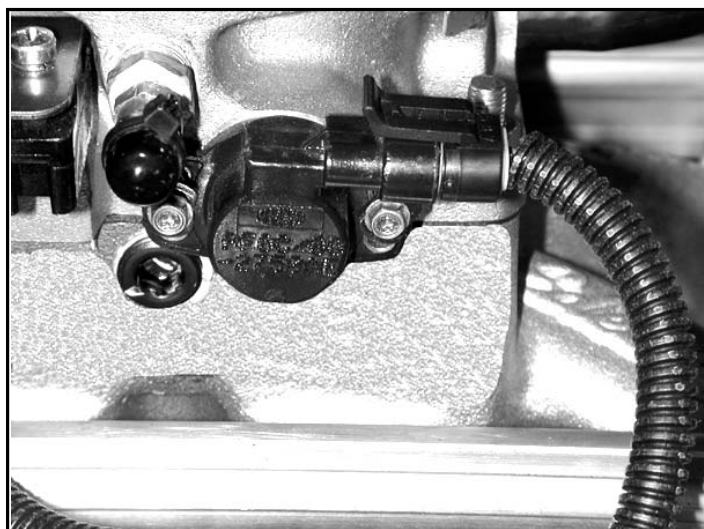
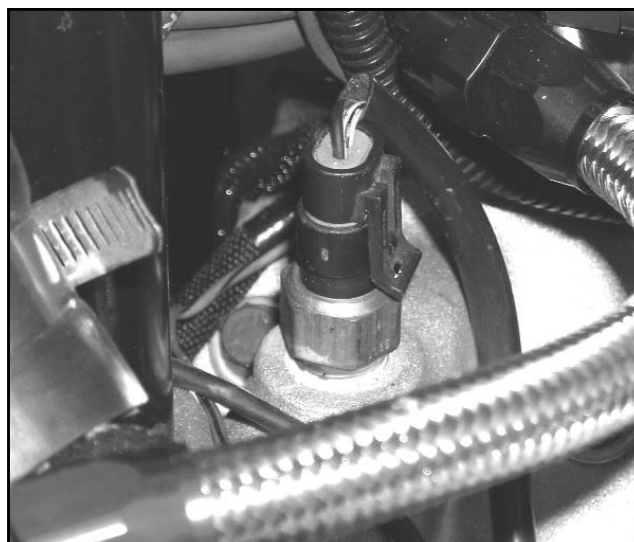
### **MANIFOLD AIR TEMPERATURE SENSOR**

The Manifold Air Temperature sensor, is a thermistor device which measures air temperature. This sensor must be installed into the air cleaner base. Punch a 3/4" hole in air cleaner base, debur any sharp edges, install MAT sensor grommet, then slide sensor into grommet. This sensor is connected to the Main System Harness.



## COOLANT TEMPERATURE SENSOR

The Coolant Temperature Sensor is a thermistor device like the Manifold Air Temperature sensor. Resistance varies as coolant temperature rises and lowers. The Coolant Temperature Sensor is located at the front of the manifold on the passenger side, and is connected to the Main System Harness.



## THROTTLE POSITION SENSOR

The Throttle Position Sensor, an integral part of the Pro-Flo throttle body, measures throttle angle. This sensor requires adjustment as described in the SYSTEM START-UP section of this manual. It is connected to the Main System Harness.

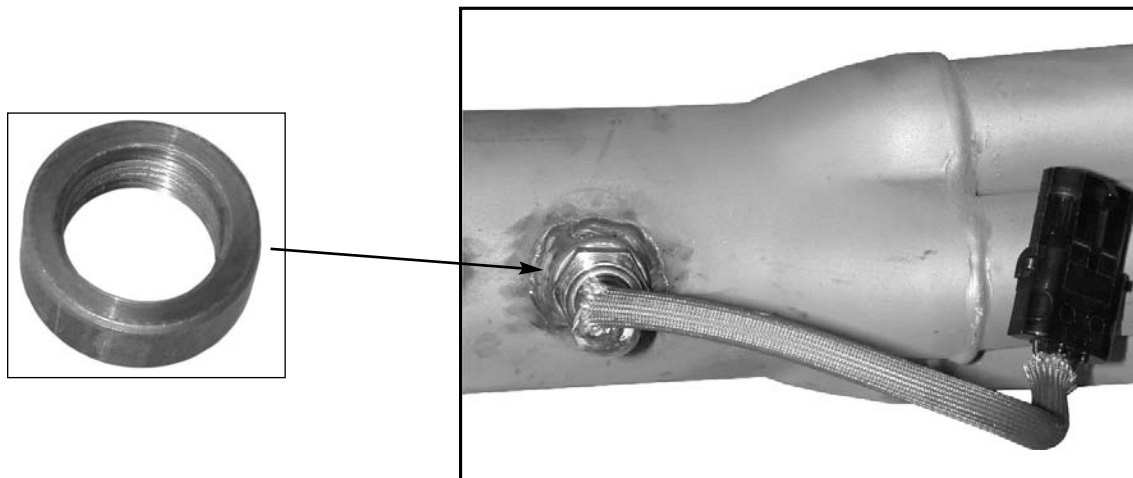
## OXYGEN (O<sub>2</sub>) SENSOR

An oxygen sensor, installed on the header collector pipe, measures exhaust gas oxygen content and is used by the ECU to manage fuel delivery under closed loop control. Installing the sensor requires drilling a 1/2-inch hole in the passenger-side header collector. The sensor threads into the provided fitting which must be professionally welded into place. The red-lean/green-rich light on the Calibration Module is also controlled by the O<sub>2</sub> sensor. The O<sub>2</sub> sensor is connected to the Main System Harness. For installation details, refer to the FUEL SYSTEM section of this manual.

**NOTE:** Prior to installing your O<sub>2</sub> sensor, check the wires leading into the weather pack plug and make sure the odd colored wire is in the middle.



## **O<sub>2</sub> SENSOR INSTALLATION**



The exhaust gas oxygen content is determined by the oxygen sensor. The sensor signals the ECU, which compensates when the air/fuel mixture is either rich or lean.

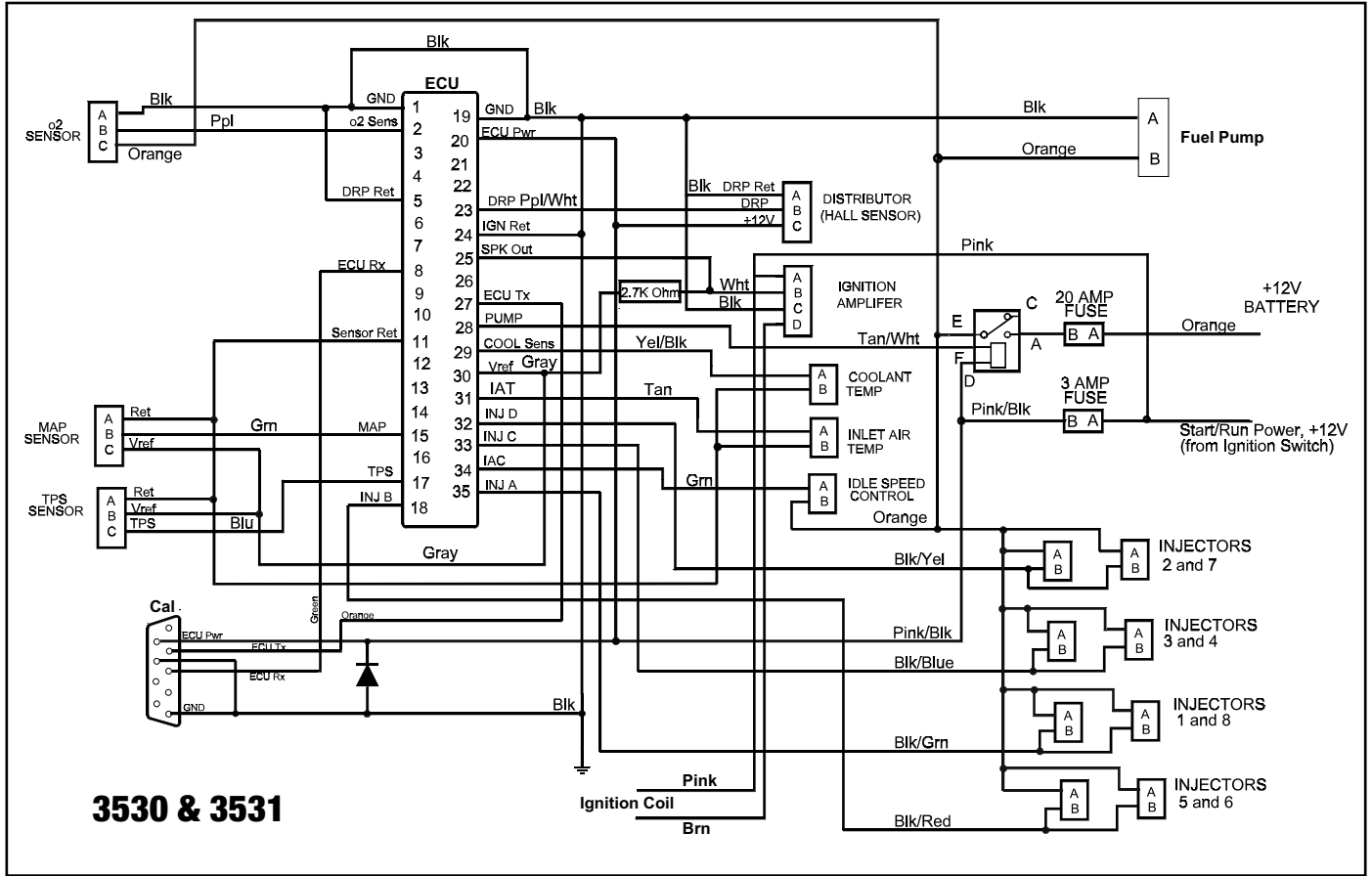
**NOTE:** It is recommended that the O<sub>2</sub> sensor installation be performed by a professional muffler shop.

1. Double check header gaskets, replacing if necessary.
2. Drill a 1/2-inch to 9/16-inch hole in the passenger-side header collector reducer, as close to the header collector flange as possible (1" to 3" away).  
**NOTE:** Before drilling, make sure the O<sub>2</sub> sensor will be mounted horizontally and within reach of the harness connector. Check to ensure adequate clearance for the sensor, taking into consideration engine movement.
3. Fit the provided fitting into the hole in the exhaust pipe and weld into place.
4. Once it has been welded into place, clean the threads in the center of the fitting. It is important that the threads are clean and free of paint or ceramic coating, in order to provide a good ground for the O<sub>2</sub> sensor.
5. Thread the O<sub>2</sub> sensor into the fitting. Apply the supplied high-heat anti-seize compound to the sensor threads before installing the O<sub>2</sub> sensor into the fitting.  
**NOTE:** The O<sub>2</sub> sensor has 18mm x 1.25 spark plug threads.
6. Attach the O<sub>2</sub> sensor to the main system harness. Refer to the MAIN SYSTEM HARNESS section of this manual.  
**NOTE: UNLEADED FUEL MUST BE USED ONCE THE O<sub>2</sub> SENSOR HAS BEEN INSTALLED.**  
**COATED HEADERS:** Use a digital OHM meter to measure the resistance between cylinder head bolt and the nut of the installed O<sub>2</sub> sensor. The reading should be less than 2 OHMS. If it is more, you need to provide a ground to the O<sub>2</sub> sensor mount.

# MAIN SYSTEM HARNESS

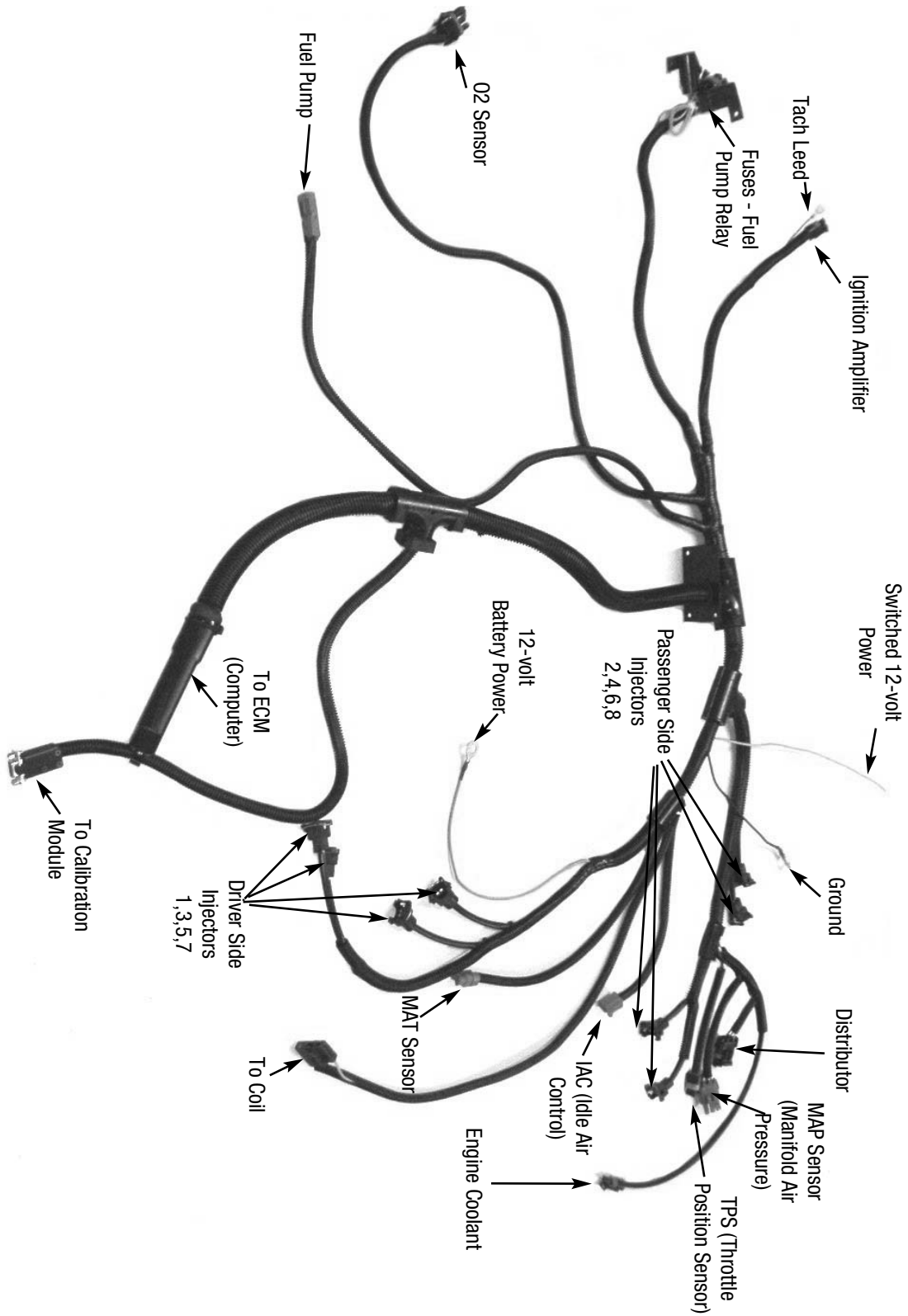
If the ECU is the brain of the Edelbrock Pro-Flo system, the Main System Harness is the central nervous system. The harness is constructed with SAE grade wires and the most up-to-date Weatherpak connectors.

This diagram illustrates the entire Pro-Flo Main System Harness.



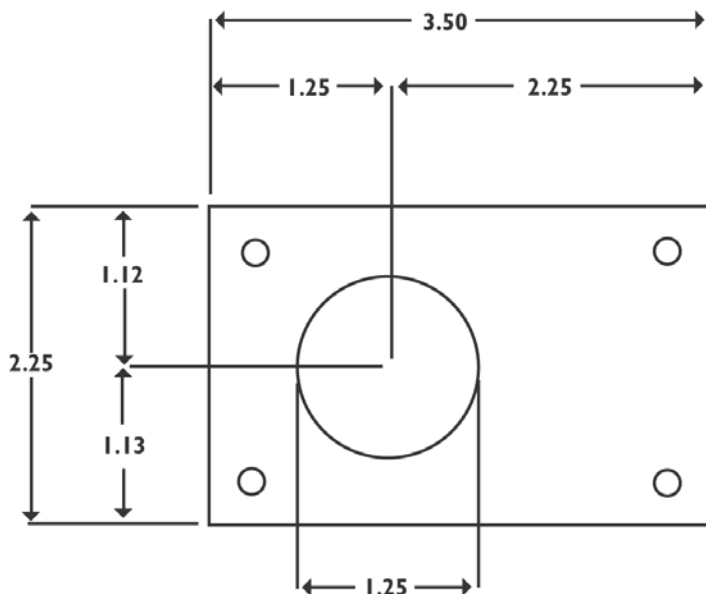


# MOPAR AND AMC WIRING HARNESS

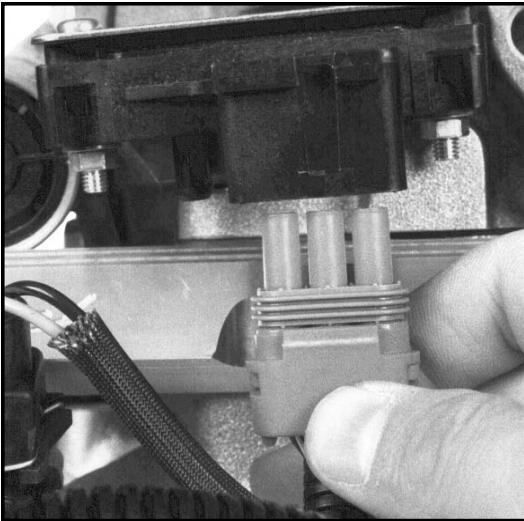


## INSTALLATION

1. Inspect the Main System Harness, making sure that all connectors and grounds are properly in place.
2. Because the harness extends from the engine compartment into the passenger compartment, a hole must be drilled in the firewall on the passenger side. Cut two overlapping 1 1/4-inch holes on a 1-inch center in the firewall. Saw the pointed edges to create an oval-shaped hole.  
**NOTE:** An alternative to this method is to cut a single 1 3/4 inch hole.
3. Extend the fuel pump relay, ECU connector, and Calibration Module relay through the firewall hole into the passenger compartment.  
**NOTE:** The T-connectors at the joints of the Main System Harness are closed by snap fasteners which can be opened by hand or with a flathead screwdriver. Once open, the T-connectors can be rotated for ease of installation, if necessary.
4. The 3 1/2 x 2 1/4-inch aluminum plate included on the harness mounts over the firewall hole using four hex head sheet metal screws.  
**NOTE:** Start the screw holes with a pointed punch or small drill.
5. The wire harness is assembled with the aluminum plate flush against a T-connector. The black plastic casing on the wire harness can be cut to allow the plate to slide up the harness to the correct location. Once the harness is in place, the casing should be reattached on both sides of the firewall.  
**CAUTION:** When feeding the wire harness through the firewall, be careful to not damage the wires against the cut sheet metal.
6. A rubber grommet is provided to protect the wires in the aluminum plate. Use RTV to seal the plate to the firewall.
7. Install all connectors according to the list and diagrams. The harness has been designed so that each connector is unique and will fit only to its correct match. There is only one possible installation combination; it cannot be installed incorrectly.



The Throttle Position sensor attaches to the main harness .



The Manifold Absolute Pressure sensor attaches to the main harness.



The Coolant Temperature sensor attaches to the main harness.



The Manifold Air Temperature sensor attaches to the main harness.

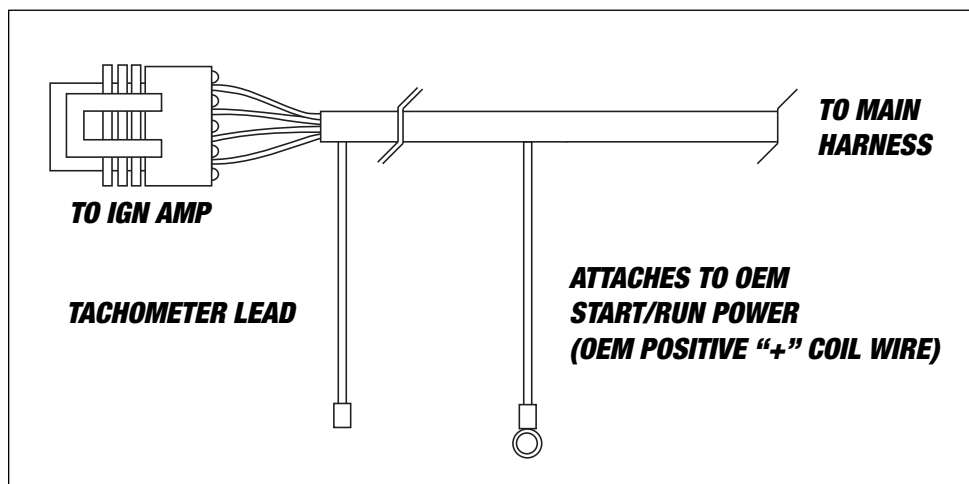


Only the fuel injector connectors are identical, but they are placed in logical sequence. Refer to the diagram when installing the harness connectors to the fuel injectors.

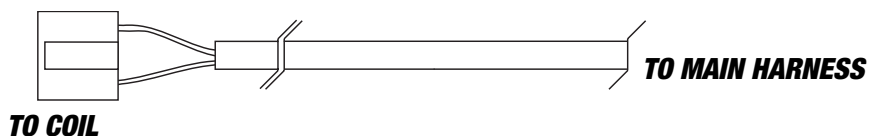
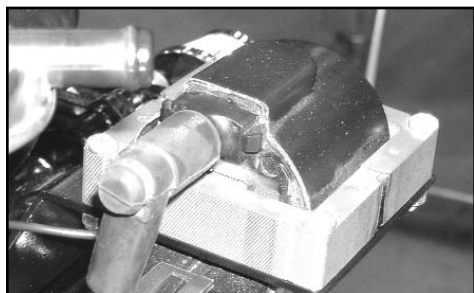
The IAC is attached to the main wiring harness.

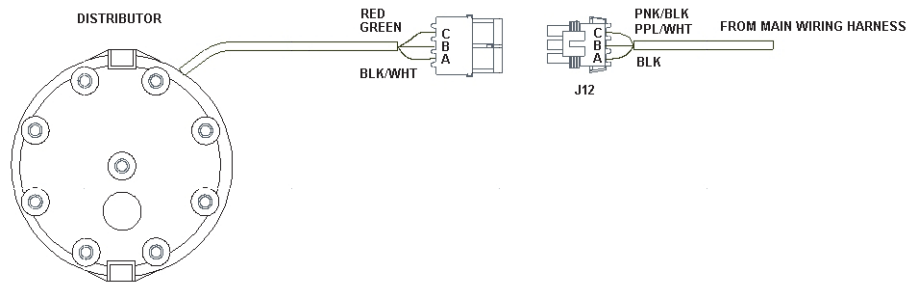


The ignition amplifier is attached to the main harness with the connector at left side of lower diagram. The ignition amplifier should be mounted on the firewall, or on the passenger fender well. The KEY ON (Start/Run power) wire (pink) should be connected to the factory positive (+) coil wire. If you have a ballast resistor in your factory coil wiring, you should remove the ballast resistor and connect the KEY ON wire to the wire coming into the positive (+) side of the ballast resistor. **REFER TO VEHICLE REPAIR MANUAL FOR WIRING DIAGRAM, IF NECESSARY.**



The coil is attached to the main harness. We strongly recommend using an E-Core type (non-ballast resistor) coil as shown below. These are available through most performance ignition parts suppliers. The coil attaches via the connector shown below. If using a standard style coil, cut the connector off and use ring type connectors.





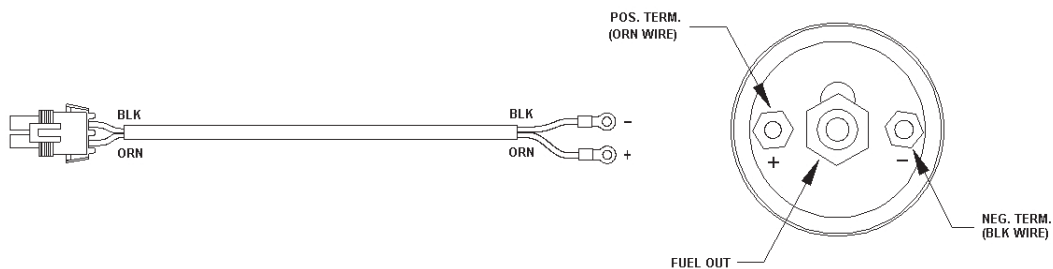
Attach the distributor to the main harness as shown above.

## ELECTRONIC CONTROL UNIT /SYSTEM ECU

The Electronic Control Unit (**ECU**) must be mounted away from moisture, excessive heat, or vibration. Underneath the dashboard on the passenger side, or behind the glove box are recommended locations.



The connector on left end (as drawn) of this 10-foot fuel pump wiring harness attaches to connector on the Main System Harness. The two connectors on the right connect to the positive (+) and negative (-) terminals on the fuel pump. A sleeve and tie-wrap are provided to fit over the positive terminal once the connector is installed. This sleeve prevents the clamp from shorting the fuel pump terminals.



## **IGNITION SYSTEM**

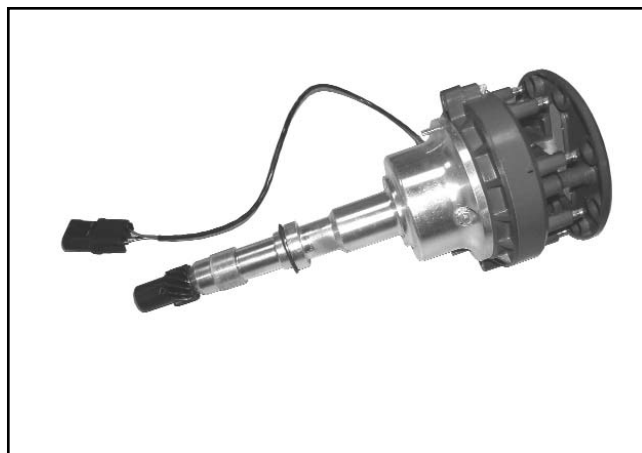
### **IGNITION AMPLIFIER**

The Pro-Flo system uses the Edelbrock #3518 Ignition Amplifier, which must be mounted on a flat surface in the engine compartment away from exhaust headers or other areas that generate heat. The wheel well panel and firewall are ideal locations. The Ignition Amplifier is to be connected to the Main System Harness.



### **DISTRIBUTOR TESTING**

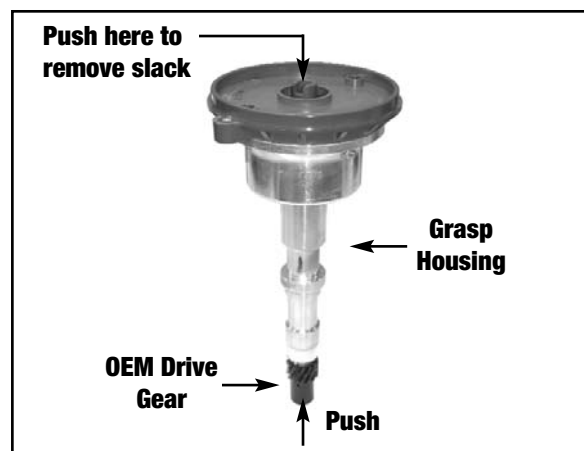
1. Install the ECU and wiring harness and make all connections except the distributor.
2. Disconnect electrical connections at the fuel pump. Unplug the 10-foot fuel pump harness from the Main System Harness. Refer to the MAIN SYSTEM HARNESS section of this manual for details.
3. Turn the key to the ON position without starting the engine. Check the Idle Air Control (IAC) solenoid clicks on and off for approximately 2 seconds.
4. The Pro-Flo Calibration Module will receive power and display an RPM: 0 reading, among other parameters.
5. Connect the distributor to the wiring harness and spin the distributor gear by hand. If the distributor sensor is operating properly, the Calibration Module will display an RPM reading greater than 0. When the distributor stops spinning, the Calibration Module may display NO COMMUNICATION for approximately 2 seconds. This is normal and indicates that the ECU is waiting for the next distributor signal before the allowed time expires.
6. If an RPM greater than zero is indicated in step 5, install the distributor.



### **INSTALLING THE DISTRIBUTOR**

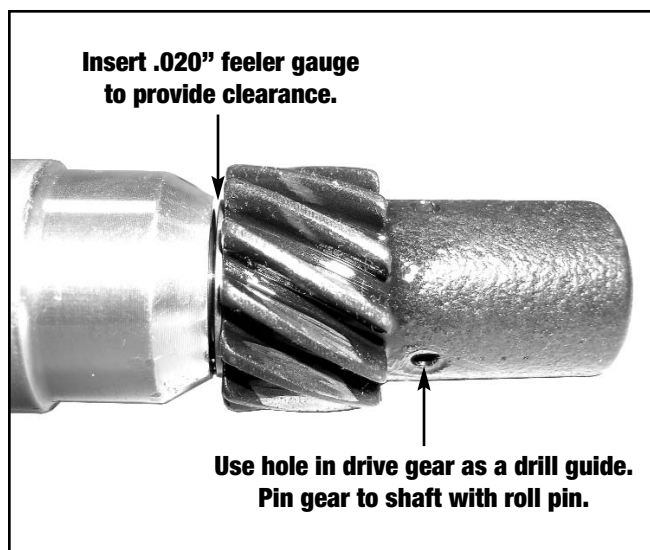
1. **Note:** The distributor drive gear is not included and the OEM gear, or a new replacement must be installed onto the base of the supplied Mallory distributor before installing the distributor (**Use a new gear only if installing a new camshaft at this time. Use of a new gear on a used camshaft may result in drive gear or camshaft failure**). Begin by removing the OEM gear from the stock distributor by pressing or punching out the roll pin. Remove the distributor cap and rotor on the Mallory distributor before beginning the gear installation.
2. Grasp the Mallory distributor base at the housing and push on the shaft from above to remove all the slack.

3. Install the supplied .030" thrust washer and the OEM gear onto the new distributor by sliding them onto the shaft. Push on the shaft from above while holding the thrust washer and gear against the housing to remove any slack.
4. Pull the gear away from the housing enough to insert a .020" feeler gauge between the thrust washer and the gear. After inserting the gauge, press on the shaft from above while holding the gear against the gauge to remove any slack.
5. Using the hole in the OEM gear as a guide, drill a hole through the Mallory shaft using a drill bit the exact size as the hole in the OEM distributor shaft. **(Note: Ensure that all slack is removed, and the feeler gauge remains in place while drilling. We strongly recommend using a drill press for this procedure.)**



6. Press a new roll pin into the gear/shaft. Remove the feeler gauge. The gear should be pinned to the shaft, and the gear should move .010" to .030" relative to the housing.
7. Rotate the crankshaft until the #1 cylinder is coming up on the compression stroke. Stop turning when the crank is at 10 degrees before TDC.
8. Apply assembly lubricant to the drive gear and thrust washer and insert the distributor into the engine. Install the distributor so that #1 on the cap is positioned where cylinder #1 was on your previous distributor, or to the position you will be using for the #1 cylinder spark plug wire. Regardless of the position used, remember to install your spark plug wires according to the factory firing order listed in the "INDUCTION SYSTEM INSTALLATION" section of this manual.
9. Make sure that the distributor seats down completely and has fully engaged the oil pump drive.
 

**NOTE:** You may need to repeat step 8 to make sure the oil pump drive is engaged.
10. Lift the rotor by hand to make sure that there is adequate endplay. Lack of endplay indicates that the rotor shaft is bottomed out on the oil pump shaft.
10. Lightly tighten the hold down clamp so that the distributor can still be turned to determine final setting when checking the timing.
11. Re-attach the distributor cap, with the rotor pointing to #1, and connect start-run power to the ignition coil.
12. The distributor is connected to the MAIN SYSTEM HARNESS.



## **OTHER APPLICATIONS**

The Pro-Flo system has been designed and calibrated using a 304 AMC V8 engine with an Edelbrock Performer-Plus camshaft and tubular headers as a baseline. A calibration is also available for the 401 AMC V8 using Edelbrock AMC cylinder heads and a Performer RPM camshaft.

It is unlikely that every engine on which the Pro-Flo system is installed will match these particular combinations. The system can be used with similar applications, as long as the correct chip matching your cam profile is installed in the computer and necessary fuel calibration adjustments are made. If your AMC engine does not match the above specifications, it may require more tuning adjustments. For further information refer to the SYSTEM SET-UP SECTION of the Owner's Manual.

If you are running a stock camshaft and/or you are not using tubular headers, it may be necessary to reduce fuel at WOT from 4000 rpm and up. Refer also to the SYSTEM SET-UP section in the Owner's Manual. Use the FUEL @ WOT screens (located under FUEL MODIFIERS) to adjust the fuel at each available RPM.

**WARNING:** Watch the Rich/Lean light on the Calibration Module. If the light indicates a lean condition (red) for more than a fraction of a second at 0-6" vacuum or at WOT you are too lean for safe engine operation at full load.

## **SYSTEM START-UP**

Once the Edelbrock Pro-Flo system has been installed, there are a few procedures you must follow to break-in the system. Carefully performing these break-in procedures will ensure best results and optimal performance.

Use this checklist to double-check the following areas **BEFORE** starting the car:

- Has the battery been reconnected?
- Has the radiator been refilled with coolant?
- Has the gas tank been refilled?
- Has the oil been replaced?
- Have all linkages been reconnected?
- Have all wiring harness connectors been connected?
- Have all fuel lines been reconnected?
- Has the exhaust system been completely re-installed?
- Has the O<sub>2</sub> sensor been installed and connected?
- Have resistor type spark plugs been installed?

## **Distributor Test**

Refer to the "IGNITION SYSTEM" section of this manual, under "DISTRIBUTOR TESTING" for the proper procedure.



## Priming The Fuel Pump

Before the engine is started, the fuel pump must be primed to pressurize the system and purge the fuel line of all air.

1. Turn ignition key to the "ON" position. You should hear the fuel pump go on. It will pump for 2 or 3 seconds and disengage.
2. Turn the key to the "OFF" position for 1 second.
3. Turn the key to the "ON" position again. The pump will go on for another 2 or 3 seconds.
4. Repeat this procedure until the pump has been cycled three or four times, and is primed. The tone of the fuel pump will change when all air is out of the fuel system.
5. If there is no tone, or no change in tone, the system is not priming. **Check the entire fuel system for leaks, from the fuel tank to the injectors.**

## Testing The Sensors

Before starting the engine, test all sensors.

1. Turn the key to the ON position with the Calibration Module connected. The display will read:

<b>RPM: 0 FUEL: 0.0 mS</b>
<b>VAC: 0.0" Hg SPK: 10°</b>

**NOTE:** A vacuum reading of other than 0.0" Hg may be displayed depending upon barometric pressure and air temperature. At extreme altitude, the vacuum reading may be as high as 5.0" Hg.

2. Push the UP ARROW key once to display:

<b>TH20: 76°F</b>	<b>TPS: 13°</b>
<b>TAIR: 77°F</b>	<b>Volt: 12.0</b>

**NOTE:** The water and air temperatures displayed will vary depending on ambient conditions. The system voltage will vary depending on the condition of the battery.

3. Move the throttle to test the Throttle Position Sensor (TPS). The TPS reading should vary depending on throttle angle.
4. If the Calibration Module displays any error messages, refer to the TROUBLESHOOTING section of this manual and the User's Manual.

**NOTE :** If the calibration module goes blank while cranking, the system is losing power. Check the Pink/Black wire attached to the 3 Amp fuse for +12V power with the ignition in the crank position and the run position for proper operation.

## Timing Adjustment

Use a timing light to re-time your engine. The following steps must be performed after the induction system has been installed and the distributor has been re-installed. Refer to the INDUCTION SYSTEM and IGNITION SYSTEM sections of this manual.

1. Remove spark plug from Number One cylinder.
2. Remove coil wire from distributor and ground it.



3. THIS STEP REQUIRES TWO PEOPLE OR USE OF A REMOTE STARTER SWITCH. While one person rotates the engine by slowly bumping the starter, the other holds his finger over the Number One plug hole until compression is felt.
4. Continue to bump starter until timing mark on the crankshaft pulley shows approximately 10 degrees Before Top Dead Center.
5. Position rotor to approximately align with the Number One cylinder plug wire terminal in distributor cap. Check that the leading edge of the narrow tooth on the shutter wheel (as the shutter wheel rotates clockwise) is centered in the sensor. Refer to the IGNITION SYSTEM section in this manual for details.

### Setting Base Spark Advance

After start up, the base timing of the engine should be re-set. Use a timing light and the Pro-Flo Calibration Module to accurately set timing.

1. Start the engine.

2. The Calibration Module screen will display this screen:

**RPM: 0 FUEL: 0.0 ms  
VAC: 0.0"Hg SPK: 10°**

3. Press the DOWN ARROW key once to reach this screen:

**<MISC.MODIFIERS>  
ENTER to select**

4. Press the ENTER key to display this screen:

**Target Idle RPM:xxxx  
EXIT ↓↑ = SCROLL ENTER**

5. Press the UP ARROW key six (6) times until the module displays this screen:

**Base Tim'g set: OFF  
EXIT ↓↑ = SCROLL ENTER**

6. Press the ENTER key. Press either ARROW key and the screen will display Base Tim'g set: ON.
7. Set the base timing using a timing light and engine running at 1500rpm. Turn the distributor until 10° advance is set.
8. Press the UP ARROW or DOWN ARROW key to turn Base Tim'g set to OFF.

**WARNING: DO NOT DRIVE THE VEHICLE WITH THE BASE TIM'G SET ON. SERIOUS ENGINE DAMAGE MAY RESULT.**

**NOTE:** If you use an advance-type timing light, the degrees advance shown on the Calibration Module (SPRK:) should always agree with the actual reading at the crank with the timing light.

9. Press the EXIT key. You can now leave this screen using the UP ARROW or DOWN ARROW keys.

### IDLE ADJUSTMENT

This procedure is a general recommendation, intended to help you tune up your Pro-Flo® system.

**NOTE:** In manual transmission cars, this procedure must be followed with the car in Neutral and with the clutch pedal pressed. In automatic transmission cars, this procedure must be followed with the car in Drive and with the brake pedal pressed.

## Idle Calibration Procedure

- Prior to idle calibration, you need to have completed the "System Start-Up" procedure
- Warm up engine to at least 175°F.

## Idle Control

- Using the calibration module, Select MISC. MODIFIERS and, Set Idle Control OFF.

## Set Idle Mechanical Stop

- Set the mechanical stop screw so that idle speed in park/neutral is 50-100 RPM higher than you want the engine to actually idle in gear with the idle control turned on. Typically 600 - 1000 RPM depending on the installed cam shaft.
- We find 650 RPM a good idle for our #3531 (with Performer-Plus camshaft) calibration.

## Set Throttle Position Sensor

- Loosen the two Throttle Position Sensor (TPS), mounting screws, and rotate the TPS sensor to a setting of **13 degrees** as observed on the Calibration Module. This setting must be at 13 degrees after the idle adjustment is completed.

## Set Idle Fuel Modifier and Idle Spark Modifier

- Using the calibration module, Select MISC. MODIFIERS and adjust Idle Spark and fuel Modifiers to obtain best idle quality. Idle quality will vary with engine design. Fuel and Spark setting will interact, particularly when you approach best settings.
- You must establish a smooth idle prior to using Idle Control. Otherwise, the RPM will surge when Idle Control is turned on.

## Save Calibration

- Re-check that the TPS setting is 13 Degrees.
- Using the calibration module, Select MISC. MODIFIERS
- Set IDLE CONTROL ON. Set TARGET IDLE to the same RPM established by the idle stop screw.
- Save calibration settings to "A"

## Idle Speed Activity

- Displayed on the calibration module, (Second Data Screen). The displayed value represents the amount of air that is bypassing the throttle blades of the air valve, Normal values range from 5% to 75%. This ensures that the computer can increase or decrease the idle air flow to control idle speed.
- If you have established a "good" idle set up, the RPM will remain nearly constant between in-gear and out-of-gear. The Idle Speed Activity will change 10- 30% as it adjusts the idle speed.
- The value of Idle Activity is 20% when Idle Speed Control is off.

## Idle Speed Activity Modifier

- This function is locked out when Idle Control is off as indicated by "XXXX" in the Target idle display on the Calibration Module Display.
- The Idle Speed Activity Modifier biases the Idle Activity duty cycle, +/-50%, this has the effect of changing RPM control loop response time.
- We recommend that this value be set to zero modification except in extreme cases.

## **ELECTRONIC ENGINE MANAGEMENT**

The Edelbrock Pro-Flo system uses the Speed-Density method of electronic engine management, in which fuel and spark requirements are based on engine speed (RPM) and engine load (manifold pressure and temperature).

The Electronic Control Unit (ECU) receives signals regarding engine speed (from the distributor), and the three load factors consisting of coolant temperature (ECT), Manifold Absolute Pressure (MAP) and air temperature (MAT). Once the ECU has determined the engine operating point (RPM and Load factor), it uses tables programmed into it to instantly calculate correct spark advance and injector pulse width.

A more detailed description of electronic engine management can be found in the Owner's Manual for your Pro-Flo system. One possible point of confusion does need to be clarified. The Pro-Flo system displays vacuum rather than the less-familiar manifold pressure. This vacuum reading is based on the following SAE standard atmosphere:

- Barometer - 29.5 in Hg
- Temperature - 77°F

Because of this, the vacuum figures displayed on the Calibration Module may differ from the vacuum indicated by a true vacuum gauge, particularly at extreme high or low altitudes.

### **FUEL MODIFIER TABLE**

		<b>RPM</b>					
		1000	2000	3000	4000	5000	7000
<b>LOAD</b>	WOT						
	6"						
	12"						
	18"						

### **SPARK MODIFIER TABLE**

		<b>RPM</b>					
		1000	1750	2500	3500	4500	6000
<b>LOAD</b>	WOT						
	9"						
	18"						

The Pro-Flo tables come pre-set from factory for the engine combination that you specified when you ordered your computer chip. This factory calibration must be altered with the Calibration Module to optimize performance. The Calibration Module allows you to modify the fuel and spark tables at various engine speeds and levels of vacuum. These tables may be used for recording your modifications to the base table with your own fuel pulse width and spark advance figures. For information on using the Calibration Module to enter your figures into the Pro-Flo ECU, refer to the CALIBRATION MODULE section in the Owner's Manual.

## **PRO-FLO QUICK TUNING GUIDE**

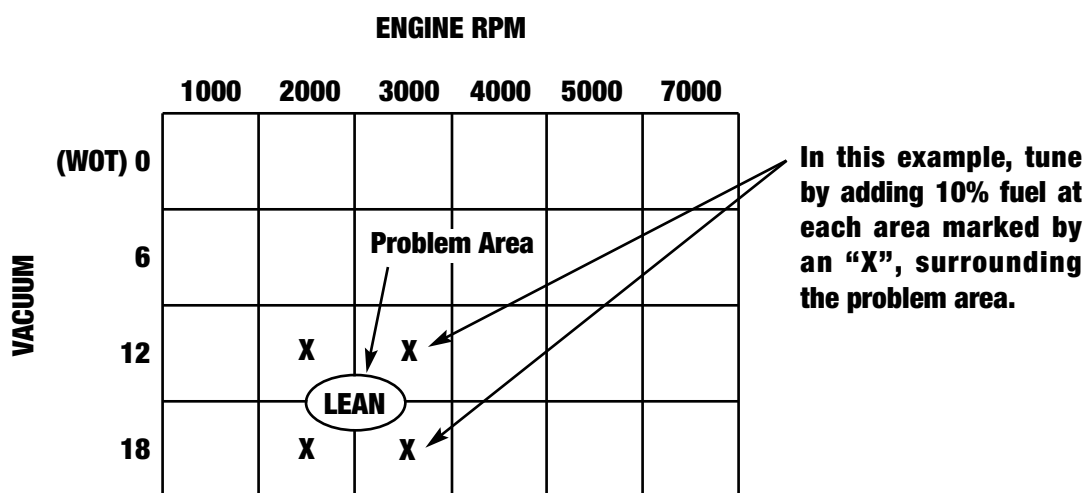
These are basic instructions to help in understanding the tuning of your Pro-Flo fuel injection system. For detailed technical information on tuning your Pro-Flo, see the Pro-Flo Owner's Manual. This guide has been developed after talking with end users that are not familiar with the technical information provided in the Owner's Manual.

This guide is based on our simple graph that shows the 24 fuel cells that you can tune in to result in a clean and powerful engine. We recommend when you have your Pro-Flo installed, you have the idle tune up completed and then drive the vehicle to determine what amount of tuning is needed for general driving. If the unit is drivable, this is the method to use for ease of tuning. On page 6 of this installation manual, there is a fuel grid that can be used as the map on which to locate and then tune any drivability problems. Simply drive the vehicle and note any areas that have problems. Circle those areas as a baseline.

When circling the area where a problem exists, you are circling the RPM and Vacuum reading that is present when the problem occurs. Note whether it is running rich (green light) or lean (red light) at each problem area. Once any problem areas have been located and noted rich or lean, go into the Miscellaneous Modifiers menu and turn off the Closed Loop Fuel, exit, go to Fuel Modifiers, and then into Global Fuel. Now drive the vehicle and drive back to each problem area. When driving in a problem area, add or subtract fuel to obtain the smoothest operation at that driving point. Write down the quantity (plus or minus) of fuel required to achieve a smooth operation. When all the problem areas have been noted, and the amount of fuel required to achieve smooth operation has been noted at each problem area, you may now do each adjustment one at a time to achieve a complete tune up.

To input this information, you will need to make sure the Closed Loop Fuel is in the OFF position. Go to each area and enter the information. If you have found a problem that is not exactly in the center of one of the fuel cells, you will still be able to tune the area by using the Surround and Conquer method for properly managing the fuel curve. Listed below is an example of this method:

Assume that you have found a problem area at 2500 RPM and 15 inches of Vacuum. This is not an area where you can address the problem directly. In this scenario, we will say the unit is showing a lean condition (red light). In which case, fuel will need to be added. We will also say that when driving and using the Global Modifier to find the exact amount of fuel required, it was determined that the amount needed was plus ten percent (+10%). In the Surround and Conquer method, you will add fuel at the four locations surrounding the problem area. This is shown in the figure below:



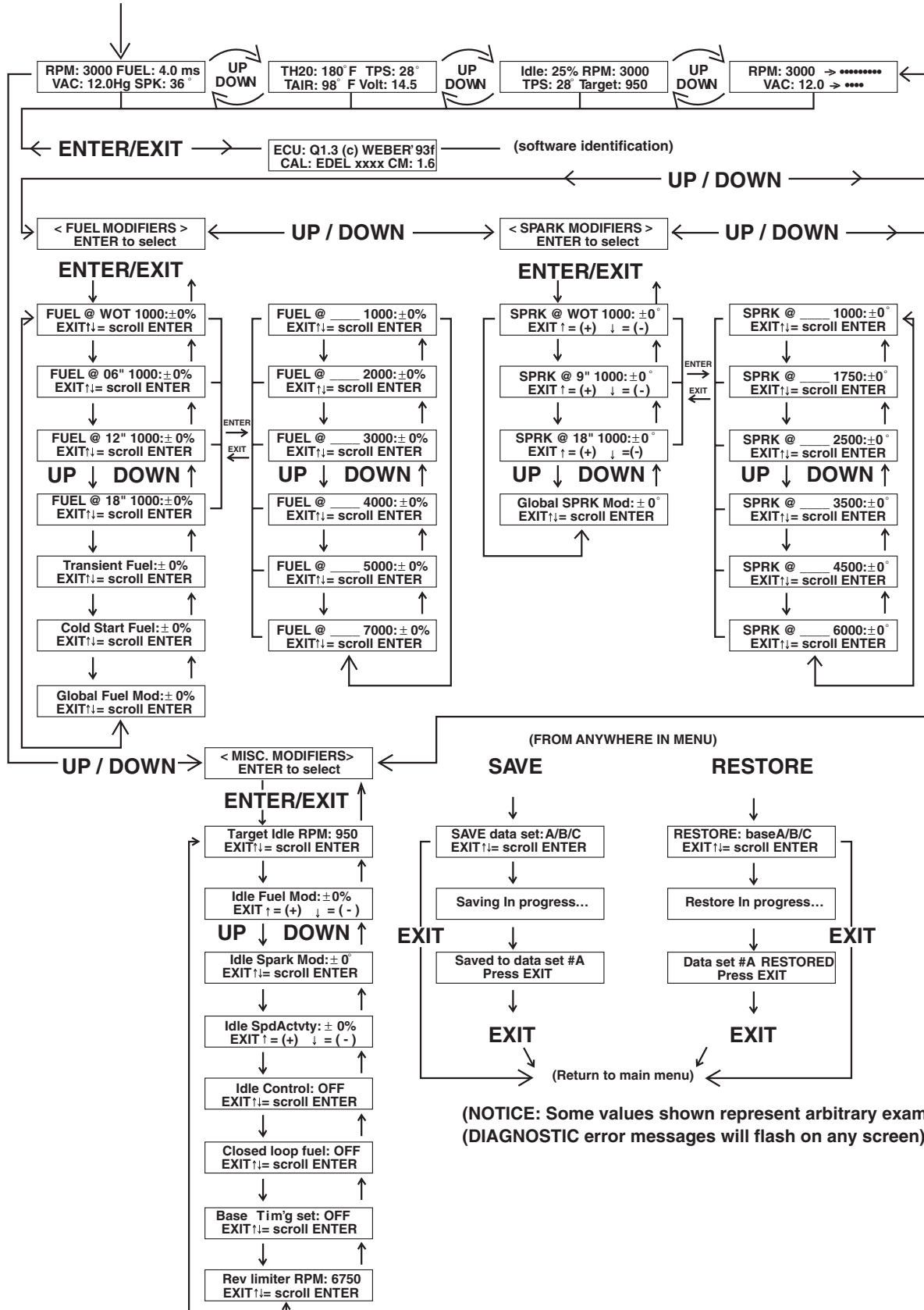
When the required amount of fuel has been added at each surrounding fuel cell, complete the operation by returning to the Miscellaneous Modifiers menus, and turning the Closed Loop Fuel ON. Press the SAVE key, then the ENTER key. The hand-held unit will show SAVING IN PROGRESS. Repeat this procedure at each problem area to complete the tune up.

**POWER ON**

WEBER/ EDELBROCK  
Pro-Flo EFI System

(1-2 second commercial)

**CALIBRATION MODULE DIAGRAM**



# Edelbrock Pro-Flo Fuel Injection System

## #3530/3531

### PART NUMBERS

Many of the components of the Pro-Flo system are available separately. Many are standard OEM parts. In the event that one of these parts need to be replaced, you are likely to find a replacement at your local parts supplier, in addition to your local Edelbrock dealer or directly from Edelbrock.

Ignition Amplifier	.....	Edelbrock #3518
ECU Power Relay/Fuel Pump Relay	.....GM 14089736	.....Edelbrock #3586
Manifold Absolute Pressure Sensor	.....GM 16006835	.....Edelbrock #3587
Manifold Air Temperature Sensor (Screw-in)	.....GM 25036751	.....Edelbrock #3588
Manifold Air Temperature Sensor (Push-in)	.....A/C 12160244	.....Edelbrock #3579
Coolant Temperature Sensor	.....GM 25036979	.....Edelbrock #3589
Throttle Position Sensor	.....	Edelbrock #3590
Oxygen (O2) Sensor	.....	Edelbrock #3591
High Pressure Fuel Pump	.....	Edelbrock #3594
Fuel Filter	.....A/C DELCO GF-482	.....Edelbrock #3596
Fuel Pressure Regulator	.....GM 17107010	.....Edelbrock #3584
Fuel Injectors (one)	.....	Edelbrock #3583
Calibration Module	.....	Edelbrock #3519
Calibration Module Cord/Plug	.....	Edelbrock #3571
Idle Air Control Solenoid	.....Ford FOAE-9F715 B1A	.....Edelbrock #3599

## PRO-FLO MULTI-POINT EFI

### #3530 & #3531

### KIT CONTENTS

Check	Qty.	Description
	1	Manifold Assembly ( as seen below)
	1	Installation Instructions
	1	EFI Owner's Manual
	1	Basic ECU
	1	Fuel Filter
	1	Manifold Air Temperature Sensor and Grommet
	1	Fuel Pump
	1	Cal. Module
	1	Cal. Module Cord
	1	Cord Adapter
	1	Distributor
	1	Ignition Amplifier
	1	Main Wire Harness
	1	Fuel Pump Harness
	1	Fuel Pump Relay
	1	20 Amp Fuse (installed in Harness)

Check	Qty.	Description
	2	5/16" Fuel Line Hose Clamps HP
	5	3/8" Fuel Line Hose Clamps
	1	AN #6 45 Deg. Elbow Push Lock
	1	1/4" In X 1/4" Out X 5/32" Vacuum Tee
	15'	3/8" Push Lock Fuel Line
	15"	11/32" PCV Hose
	15'	5/16" Rubber Return line Hose (fuel Safe)
	1	Fuel Filter Adel Mounting Clamp
	12	Tek screws 10-16 x 3/4"
	3	Tek screws 1/4-14 x 3/4"
	1	PCV Valve
	14	11" Tie Wraps
	1	O/2 Sensor
	1	O/2 Sensor Weld In Bung
	1	Coolant Temp. Sensor (3509 only)
	1	Fuel Pump Block Off Plate
	1	3 Amp Fuse (installed in Harness)

## MANIFOLD ASSEMBLY CONTENTS

### (SHIPPED ASSEMBLED)

Check	Qty.	Description
	1	Intake Manifold
	1	7/32" Vacuum Hose
	1	Coolant Temp. Sensor (3526 only)
	1	MAP Sensor Assembly
	8	Electronic Fuel Injectors – Pico
	1	5/32" Vacuum Hose 6"
	1	7/32" Vacuum Hose 8"
	1	Passenger Side Fuel Rail
	1	Driver Side Fuel Rail
	1	Fuel Pressure Regulator
	1	Assembled 4 Barrel Throttle Body
	4	1/4" Star Washer
	4	5/16" Internal Start Washer
	1	Viton O-Ring
	1	3/8" Pipe Plug

Check	Qty.	Description
	1	Fuel Inlet Fitting (3/8" NPT Male To #6 AN Male)
	1	1/4" In To 1/4" Out X 5/32" Bottom Out Vacuum "T" Fitting
	1	1/4" NPT To 1/4" Hose Barb, Brass
	1	Throttle Body Gasket
	1	Fuel Crossover line With 45-Deg. End (Includes Schrader Valve & Cap)
	1	1/4"-20 X 1/2" Hex Head Cap Screw
	4	1/4" -20 X 1.25" Long Hex Head Cap Screw"
	1	Fuel Regulator Nut
	4	1/4" ID. SAE Flat Washer
	1	1/4" ID. Split Lock Washer
	4	5/16" Hex Nut
	4	5/16 X 1-3/8" Carb Studs



## **SERVICE**

In the event that your Edelbrock Pro-Flo System should need servicing, return the unit (freight pre-paid) to the Edelbrock Service and Repair facility at 2700 California Street, Torrance, CA 90503. Do not attempt to disassemble or service the components of the Pro-Flo system yourself. Doing so may void the warranty.

## **WARRANTY**

It is the constant endeavor of the Edelbrock Corp. to provide our customers with the highest quality performance products. Edelbrock warrants the Edelbrock Pro-Flo System to be free from defects in both workmanship and materials for a period of one year from date of purchase, provided that the product is properly installed and subjected to normal use and service, is not used for racing or competition purposes and that the product is not modified or altered in any way unless specified by our instructions. Our warranty service and repair facility is located at 2700 California Street, Torrance, CA 90503. Customers requiring warranty assistance should contact the dealer from whom they purchased the product. In turn, the dealer will contact Edelbrock, and we will determine the method of satisfying the warranty. Should Edelbrock determine that the product be returned to the factory, it should be accompanied by proof of purchase and a clear description of the exact problem. The product must be returned freight pre-paid. If a thorough inspection of the product by the factory indicates defects in workmanship or material, our sole obligation shall be to repair or replace the product. This warranty covers only the product itself and not the cost of installation or removal.

**EDELBRUCK CORPORATION SHALL NOT BE LIABLE FOR ANY AND ALL CONSEQUENTIAL DAMAGES OCCASIONED BY THE BREACH OF ANY WRITTEN OR IMPLIED WARRANTY PERTAINING TO THIS SALE, IN EXCESS OF THE PURCHASE PRICE OF THE PRODUCT SOLD.**

If you have any questions regarding this product or installation, please contact our Technical Department from 8:00am-12:30; 1:30-5:00pm, Pacific Standard Time, Monday through Friday at:



**Edelbrock Corporation • 2700 California Street • Torrance, CA 90503**  
**Tech Line: (800) 416-8628 • EFI Tech Fax: (310) 320-3964**  
**E-Mail: [edelbrock@edelbrock.com](mailto:edelbrock@edelbrock.com)**