



## INSTALLATION INSTRUCTIONS FOR PART 95-7330

### APPLICATIONS

## KIA Spectra/Spectra 5 2007

# 95-7330

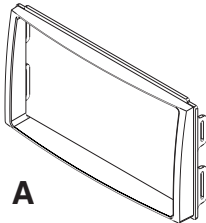
### KIT FEATURES

- Double DIN Radio Provision
- Stacked ISO Mount Units Provision

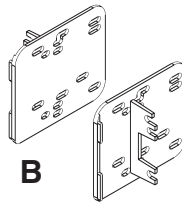


### KIT COMPONENTS

A) Double DIN Trim Plate B) Double DIN Brackets



**A**



**B**

### TOOLS REQUIRED:

- Small Flat Blade Screwdriver/ Panel Removal Tool
- Phillips Screwdriver



1-800-221-0932



[www.metraonline.com](http://www.metraonline.com)

© COPYRIGHT 2004-2007 METRA ELECTRONICS CORPORATION



**TABLE OF CONTENTS**

**Dash Disassembly**

**- KIA Spectra/Spectra 5 2007 ..... 1**

**Kit Assembly**

**- Double DIN/Stacked ISO Mount Units Provision ..... 2**

**Final Assembly ..... 3**

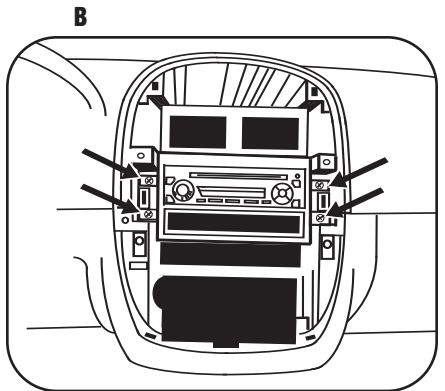
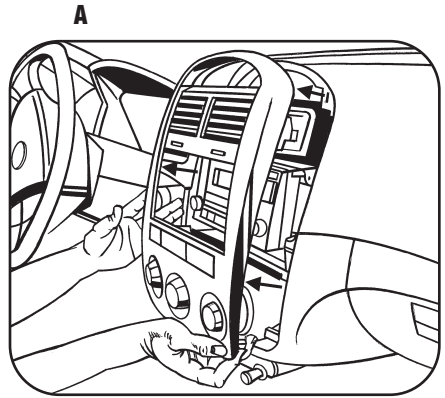
**\*Note:**

**Refer also to the instructions included with the aftermarket radio.**

**KIA SPECTRA/SPECTRA 5 2007**

- 1** Disconnect the negative battery terminal to prevent an accidental short circuit.
- 2** Unclip and remove the trim panel surrounding the radio and including the a/c vents. (Figure A)
- 3** Remove (4) Phillips screws securing the radio. Unplug and remove radio. (Figure B)

*Continue to kit assembly.*

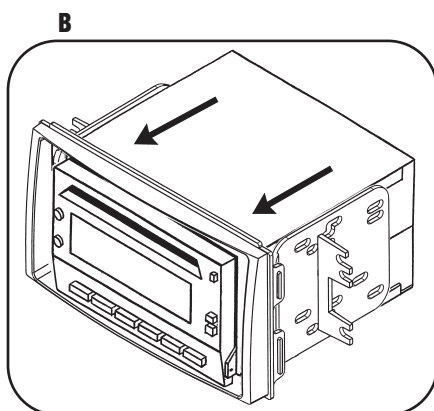
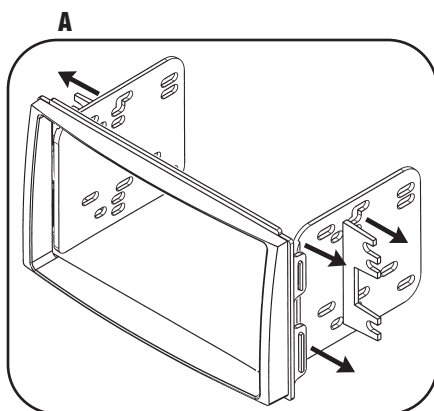


## DOUBLE DIN RADIO PROVISION STACKED ISO MOUNT UNITS PROVISION

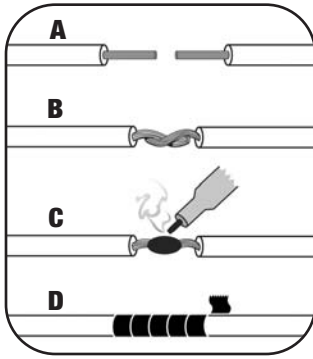
*\*Note: Refer also to the instructions included with the aftermarket radio.*

- 1 Snap the Double DIN brackets to the inside edge of the Double DIN trim plate. (Figure A)
- 2 Slide the Double DIN radio or the stacked ISO mount units into the bracket/trim plate assembly and secure the radio or ISO mount units to the assembly using the screws supplied with the radio or ISO mount units. (Figure B)

*Continue to final assembly.*



# FINAL ASSEMBLY



- (A) Strip wire ends back 1/2"**
- B) Twist ends together**
- C) Solder**
- D) Tape**

- 1** Locate the factory wiring harness in the dash. Metra recommends using the proper mating adapter and making connections as shown. (Isolate and individually tape off the ends of any unused wires to prevent electrical short circuit.)
- 2** Re-connect the negative battery terminal and test the unit for proper operation.
- 3** Reassemble radio and dash assemblies in reverse order of disassembly.

## FINAL WIRING CONNECTIONS

Make wiring connections using the EIA color code chart shown below and the instructions included with the head unit. Metra recommends making connections as shown below; Strip, Splice, Solder, Tape. Isolate and individually tape off ends of any unused wires to prevent electrical short circuit.

### METRA / EIA WIRING CODE

|                             |                |                           |                |
|-----------------------------|----------------|---------------------------|----------------|
| 12V Ignition / Acc. . . . . | Red            | Right Front (+) . . . . . | Gray           |
| 12V Batt / Memory . . . . . | Yellow         | Right Front (-) . . . . . | Gray/ Black    |
| Ground . . . . .            | Black*         | Left Front (+) . . . . .  | White          |
| Power Antenna . . . . .     | Blue           | Left Front (-) . . . . .  | White / Black  |
| Amp Turn-On . . . . .       | Blue / White   | Right Rear (+) . . . . .  | Violet         |
| Amp Ground . . . . .        | Black / White  | Right Rear (-) . . . . .  | Violet / Black |
| Illumination . . . . .      | Orange         | Left Rear (+) . . . . .   | Green          |
| Dimmer . . . . .            | Orange / White | Left Rear (-) . . . . .   | Green / Black  |

**\*NOTE:** When a Black wire is not present, ground radio to vehicle chassis.  
All colors may not be present on all leads due to manufacturer's specifications.





# 95-7330 INSTRUCTIONS



**1-800-221-0932**



**[www.metraonline.com](http://www.metraonline.com)**

REV. 09/11/07 © COPYRIGHT 2004-2007 METRA ELECTRONICS CORPORATION INST95-7330