

Impreso en Japón
TINS-7526CEZZ
Impresso no Japão

Impresso em papel reciclado.
Impresso em papel reciclado pós utilização.

LC-15M4U

SHARP®



ENGLISH

FRANÇAIS

MANUAL DE MANEJO
MANUAL DE OPERAÇÃO

LCD AV MONITOR
MONITEUR AV À CRISTAUX
LIQUIDES

MONITOR AV LCD
DE CRISTAL LÍQUIDO

OPERATION MANUAL
MODE D'EMPLOI



SHARP®

Printed on post-consumer recycled paper.
Imprimé sur du papier recyclé.

Printed in Japan
Imprimé au Japon
TINS-7526CEZZ



PORTUGUÊS

ESPAÑOL

SHARP®



LC-15M4U

ENGLISH

LCD AV MONITOR



ENGLISH

OPERATION MANUAL



IMPORTANT INFORMATION

WARNING: TO REDUCE THE RISK OF FIRE OR ELECTRIC SHOCK, DO NOT EXPOSE THIS PRODUCT TO RAIN OR MOISTURE.

	CAUTION RISK OF ELECTRIC SHOCK. DO NOT OPEN.	
CAUTION: TO REDUCE THE RISK OF ELECTRIC SHOCK, DO NOT REMOVE COVER (OR BACK). NO USER-SERVICEABLE PARTS INSIDE. REFER SERVICING TO QUALIFIED SERVICE PERSONNEL.		



The lightning flash with arrow-head symbol, within an equilateral triangle, is intended to alert the user to the presence of uninsulated "dangerous voltage" within the product's enclosure that may be of sufficient magnitude to constitute a risk of electric shock to persons.



The exclamation point within a triangle is intended to alert the user to the presence of important operating and maintenance (servicing) instructions in the literature accompanying the product.

Declaration of Conformity

SHARP LCD AV MONITOR MODEL LC-15M4U

This device complies with part 15 of the FCC rules. Operation is subject to the following conditions: (1) This device may not cause harmful interference, and (2) this device must accept any interference received, including interference that may cause undesired operation.

Responsible Party:

SHARP ELECTRONICS CORPORATION
Sharp Plaza, Mahwah, New Jersey 07430
TEL : 1-800-BE-SHARP (1-800-237-4277)

U.S.A. ONLY

WARNING: FCC Regulations state that any unauthorized changes or modifications to this equipment not expressly approved by the manufacturer could void the user's authority to operate this equipment.

U.S.A. ONLY

CAUTION: Use the supplied AC cord as it is.
Do not remove the core part from the AC cord, and do not change the way of winding cables around the core part.

INFORMATION

This equipment has been tested and found to comply with the limits for a Class B digital device, pursuant to Part 15 of the FCC Rules. These limits are designed to provide reasonable protection against harmful interference in a residential installation. This equipment generates, uses, and can radiate radio frequency energy and, if not installed and used in accordance with instructions, may cause harmful interference to radio communications. However, there is no guarantee that interference will not occur in a particular installation. If this equipment does cause harmful interference to radio or television reception, which can be determined by turning the equipment off and on, the user is encouraged to try to correct the interference by one or more of the following measures:

- Relocate or adjust the receiving antenna.
- Increase the separation between the equipment and receiver.
- Connect the equipment into an outlet on a circuit different from that to which the receiver is connected.
- Consult the dealer or an experienced radio/TV technician for help.

U.S.A. ONLY



IMPORTANT INFORMATION (Continued)

CAUTION: TO PREVENT ELECTRIC SHOCK, MATCH WIDE BLADE OF PLUG TO WIDE SLOT, FULLY INSERT.

This product utilizes tin-lead solder, and fluorescent lamp containing a small amount of mercury. Disposal of these materials may be regulated due to environmental considerations. For disposal or recycling information, please contact your local authorities or the Electronic Industries Alliance: www.eia.org





DEAR SHARP CUSTOMER

Thank you for your purchase of the Sharp LCD product. To ensure safety and many years of trouble-free operation of your product, please read the Safety Precautions carefully before using this product.

IMPORTANT SAFETY PRECAUTIONS

Electricity is used to perform many useful functions, but it can also cause personal injuries and property damage if improperly handled. This product has been engineered and manufactured with the highest priority on safety. However, improper use can result in electric shock and/or fire. In order to prevent potential danger, please observe the following instructions when installing, operating and cleaning the product. To ensure your safety and prolong the service life of your LCD product, please read the following precautions carefully before using the product.

1. Read instructions—All operating instructions must be read and understood before the product is operated.
2. Keep this manual in a safe place—These safety and operating instructions must be kept in a safe place for future reference.
3. Observe warnings—All warnings on the product and in the instructions must be observed closely.
4. Follow instructions—All operating instructions must be followed.
5. Cleaning—Unplug the power cord from the AC outlet before cleaning the product. Use a damp cloth to clean the product. Do not use liquid cleaners or aerosol cleaners.
6. Attachments—Do not use attachments not recommended by the manufacturer. Use of inadequate attachments can result in accidents.
7. Water and moisture—Do not use the product near water, such as bathtub, washbasin, kitchen sink and laundry tub, swimming pool and in a wet basement.
8. Stand—Do not place the product on an unstable cart, stand, tripod or table. Placing the product on an unstable base can cause the product to fall, resulting in serious personal injuries as well as damage to the product. Use only a cart, stand, tripod, bracket or table recommended by the manufacturer or sold with the product. When mounting the product on a wall, be sure to follow the manufacturer's instructions. Use only the mounting hardware recommended by the manufacturer.
9. When relocating the product placed on a cart, it must be moved with utmost care. Sudden stops, excessive force and uneven floor surface can cause the product to fall from the cart.
10. Ventilation—The vents and other openings in the cabinet are designed for ventilation. Do not cover or block these vents and openings since insufficient ventilation can cause overheating and/or shorten the life of the product. Do not place the product on a bed, sofa, rug or other similar surface, since they can block ventilation openings. This product is not designed for built-in installation; do not place the product in an enclosed place such as a bookcase or rack, unless proper ventilation is provided or the manufacturer's instructions are followed.
11. Power source—This product must operate on a power source specified on the specification label. If you are not sure of the type of power supply used in your home, consult your dealer or local power company. For units designed to operate on batteries or another power source, refer to the operating instructions.
12. Power cord protection—The power cords must be routed properly to prevent people from stepping on them or objects from resting on them. Check the cords at the plugs and product.
13. If the AC adapter is misplaced or needs to be replaced, obtain the same type of adapter from a SHARP service center or your dealer.
14. If you plan to use a 12-VDC power supply unit other than the AC adapter supplied with the product, make sure the power supply unit provides stable voltage with minimum fluctuations. Unstable power supply can cause problems in the product.
15. The LCD panel used in this product is made of glass. Therefore, it can break when the product is dropped or applied with impact. Be careful not to be injured by broken glass pieces in case the LCD panel breaks.
16. Overloading—Do not overload AC outlets or extension cords. Overloading can cause fire or electric shock.
17. Entering of objects and liquids—Never insert an object into the product through vents or openings. High voltage flows in the product, and inserting an object can cause electric shock and/or short internal parts. For the same reason, do not spill water or liquid on the product.





18. Servicing—Do not attempt to service the product yourself. Removing covers can expose you to high voltage and other dangerous conditions. Request a qualified service person to perform servicing.
19. Repair—If any of the following conditions occurs, unplug the power cord from the AC outlet, and request a qualified service person to perform repairs.
 - a. When the power cord or plug is damaged.
 - b. When a liquid was spilled on the product or when objects have fallen into the product.
 - c. When the product has been exposed to rain or water.
 - d. When the product does not operate properly as described in the operating instructions.

Do not touch the controls other than those described in the operating instructions. Improper adjustment of controls not described in the instructions can cause damage, which often requires extensive adjustment work by a qualified technician.
 - e. When the product has been dropped or damaged.
 - f. When the product displays an abnormal condition. Any noticeable abnormality in the product indicates that the product needs servicing.
20. Replacement parts—In case the product needs replacement parts, make sure that the service person uses replacement parts specified by the manufacturer, or those with the same characteristics and performance as the original parts. Use of unauthorized parts can result in fire, electric shock and/or other danger.
21. Safety checks—Upon completion of service or repair work, request the service technician to perform safety checks to ensure that the product is in proper operating condition.
22. Wall or ceiling mounting—When mounting the product on a wall or ceiling, be sure to install the product according to the method recommended by the manufacturer.
23. Heat sources—Keep the product away from heat sources such as radiators, heaters, stoves and other heat-generating products (including amplifiers).
24. Polarization—This AC adapter may be equipped with a polarized alternating current line plug (a plug having one blade wider than the other). This plug will fit into the power outlet only one way. This is a safety feature. If you are unable to insert the plug fully into the outlet, try reversing the plug. If the plug should still fail to fit, contact your electrician to replace your obsolete outlet. Do not defeat the safety purpose of the polarized plug.

The LCD panel is a very high technology product with 921,600 thin film transistors, giving you fine picture details. Occasionally, a few non-active pixels may appear on the screen as a fixed point of blue, green or red. Please note that this does not affect the performance of your product.

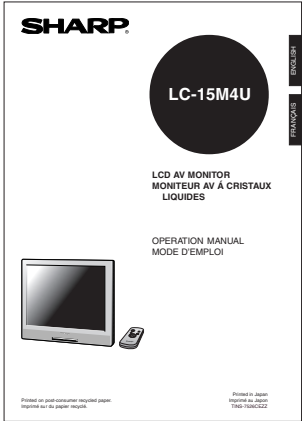

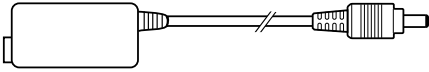
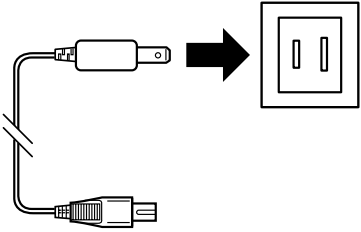
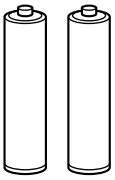
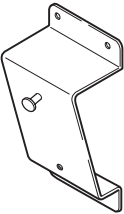
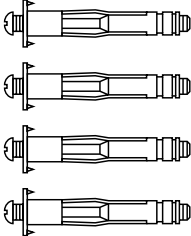
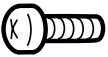


CONTENTS

	Page
DEAR SHARP CUSTOMER	4
IMPORTANT SAFETY PRECAUTIONS	4
SUPPLIED ACCESSORIES	7
PREPARATION	8
Power Connection	8
Batteries for Remote Control	8
NAMES OF PARTS (Main Unit)	9
(Remote Control)	11
BASIC OPERATION	12
Turning on MAIN POWER	12
Switching the AV INPUT [AV1/AV2] Mode	12
Sound Volume	13
ON/OFF Standby	13
SELECTING THE MENU ITEMS	14
ADJUSTMENT	15
Adjusting the LANGUAGE Settings	15
Adjusting the PICTURE Settings	16
Adjusting the SET UP Settings	18
Adjusting the SLEEP TIMER Settings	19
CONNECTING TO EXTERNAL DEVICES	20
Connecting to a VCR, a DVD player etc. (AV 1/2 IN)	20
Connecting to a DVD player (COMPONENT terminal)	21
Outputting video and audio (video output)	22
Listening with Headphones	22
Watching TV	23
EXAMPLE OF APPLICATION	24
Mounting the LCD monitor on a wall	24
TROUBLESHOOTING	25
SPECIFICATIONS	26
DIMENSIONAL DRAWINGS	27

SUPPLIED ACCESSORIES

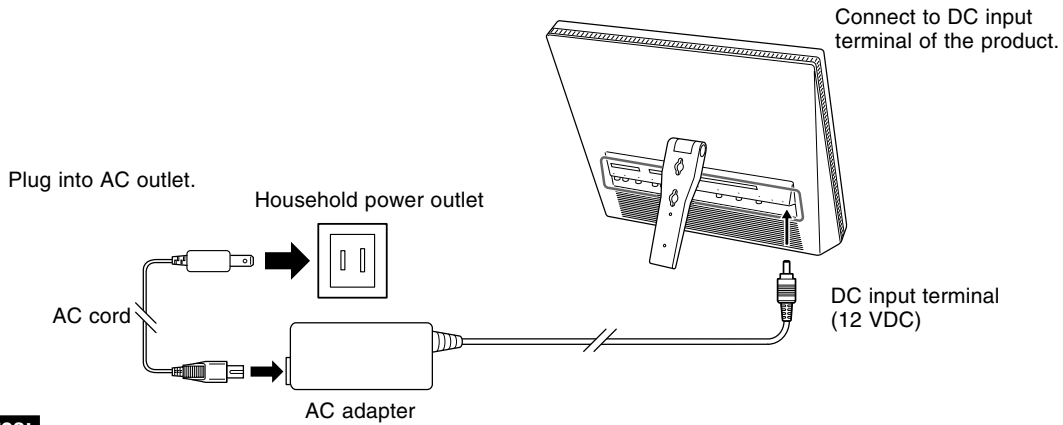
Make sure the following accessories are provided with the product.

<p>Operation Manual (×1)</p>  <p>TINS-7526CEZZ</p>		<p>Wireless Remote Control (×1)</p>  <p>RRMCG1459CESA</p>	
<p>AC Adapter (×1)</p>  <p>UADP-0228CEPZ</p>		<p>AC Cord (×1)</p>  <p>QACCD3097CEPZ</p> <p>* Product shape varies in some countries</p>	
<p>"AAA" size (UM/SUM-4) Dry Battery (×2)</p>  <p>UBATU0026GEZZ</p>	<p>Wall Mount Bracket (×1)</p> 	<p>Wall Mount Anchor and Screw (×4)</p>  <p>LANGU9041CESA</p>	<p>Fixed Screw for Set Stand (×1)</p> 



PREPARATION

Power Connection



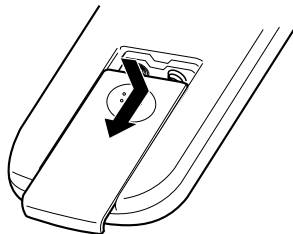
Notes:

- Always turn the main power switch of the LCD monitor to OFF when connecting the AC adapter.
- Always unplug the AC adapter from the product and power outlet when not being used for a long period of time.

Batteries for Remote Control

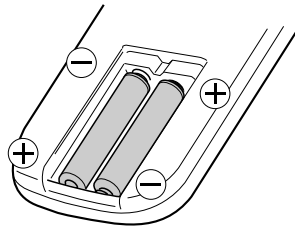
If the remote control fails to operate monitor functions, replace the batteries in the remote control.

- 1** Open the battery cover.



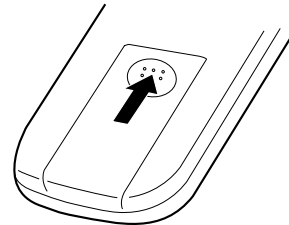
- Slide the cover while pressing down.

- 2** Insert batteries (two "AAA" size (UM/SUM-4) batteries, supplied with product).



- Place batteries with their terminals corresponding to the (+) and (-) indications in the battery compartment.

- 3** Close the battery cover.



⚠ Caution!

Cautions regarding batteries

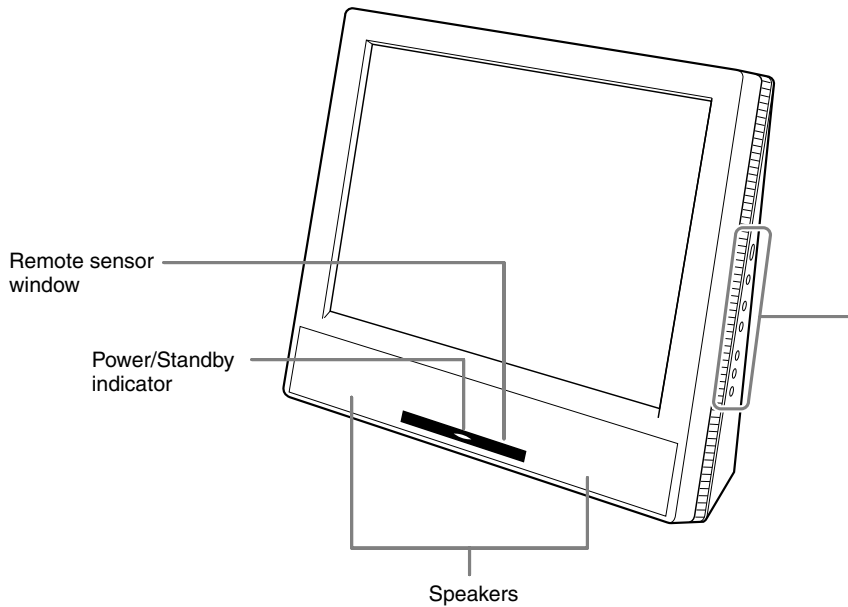
Improper use of batteries can result in a leakage of chemicals and/or explosion. Be sure to follow the instructions below.

- Place batteries with their terminals corresponding to the (+) and (-) indications.
- Different types of batteries have different characteristics. Do not mix batteries of different types.
- Do not mix old and new batteries. Mixing old and new batteries can shorten the life of new batteries and/or cause old batteries to leak chemicals.
- Remove batteries as soon as they are non-operable.
- Chemicals that leak from batteries can cause a rash. If chemical leakage is found, wipe with a cloth.
- The batteries supplied with the product may have a shorter life expectancy due to storage conditions.
- If the remote control is not used for an extended period of time, remove batteries from the remote control.

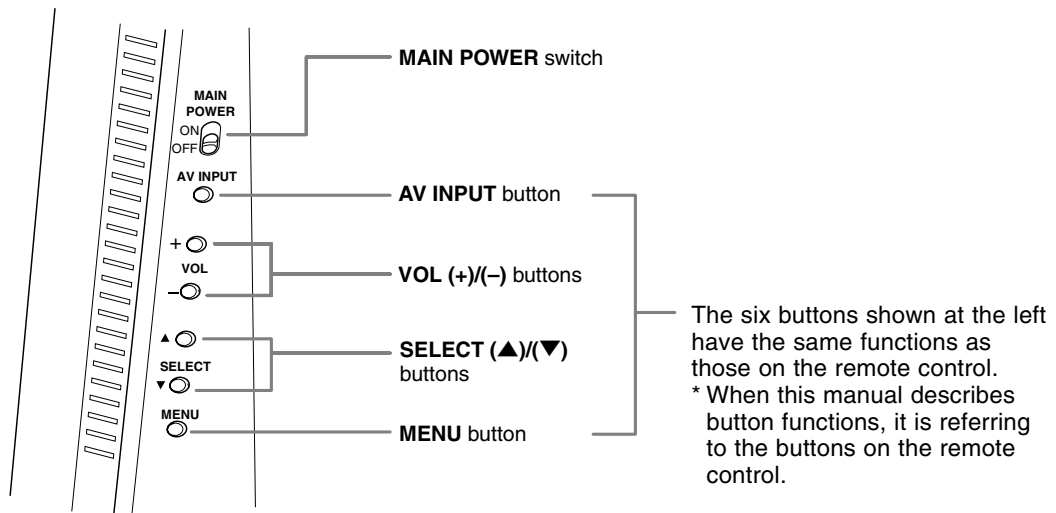


NAMES OF PARTS (Main Unit)

Main unit (front view)

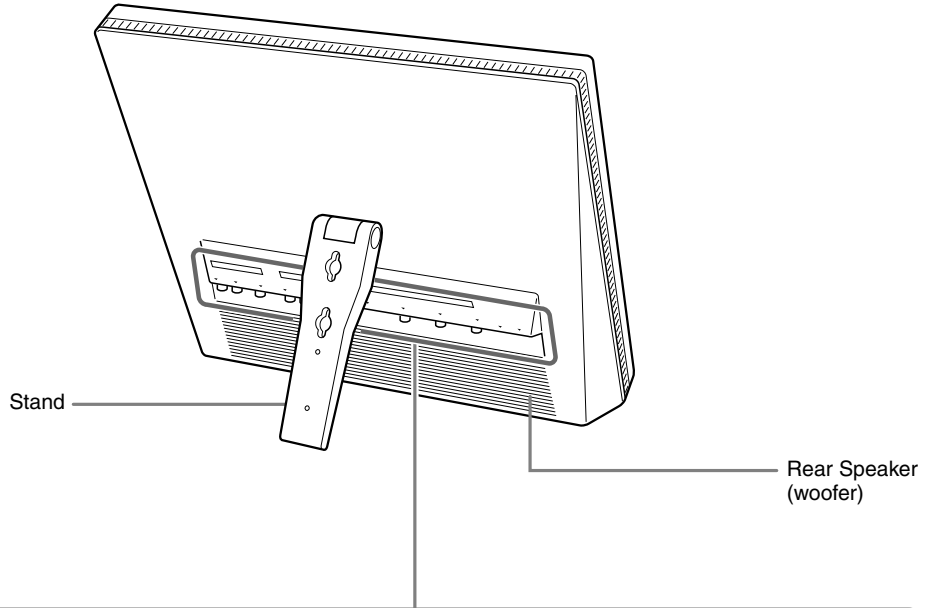


Side control section

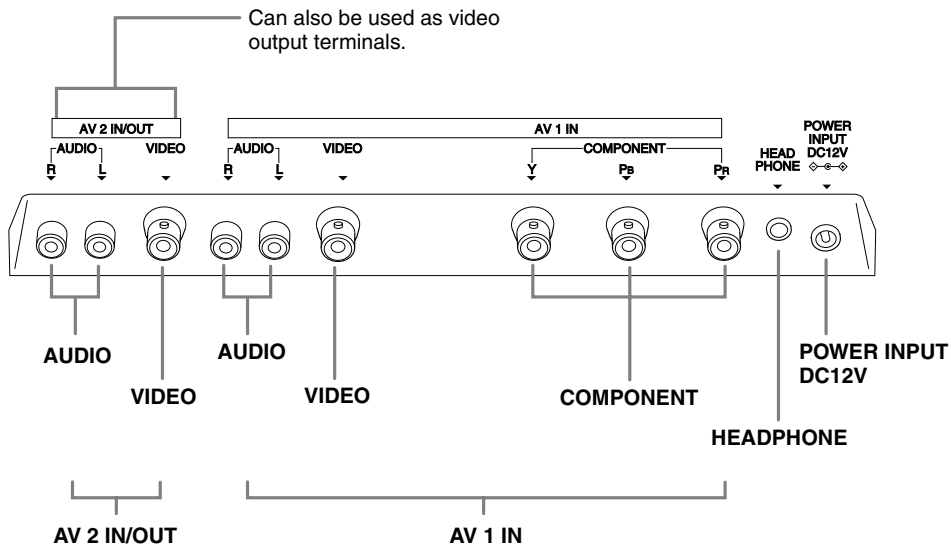


NAMES OF PARTS (Main Unit) (Continued)

Main unit (rear view)

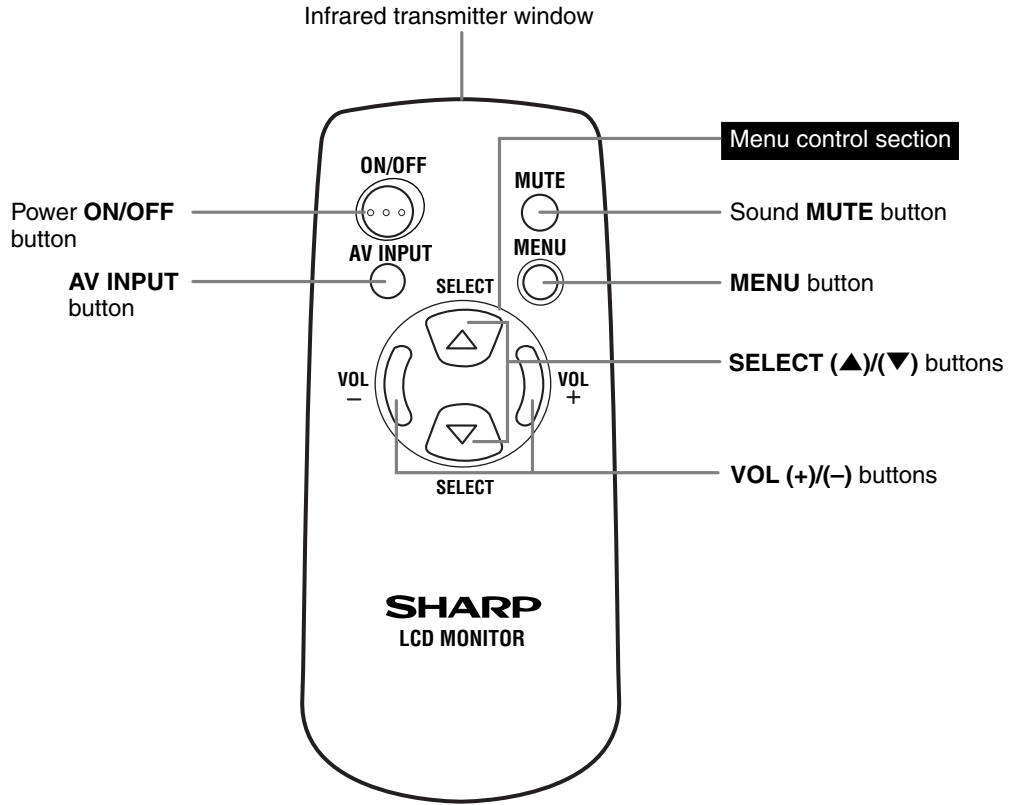


Rear terminal section



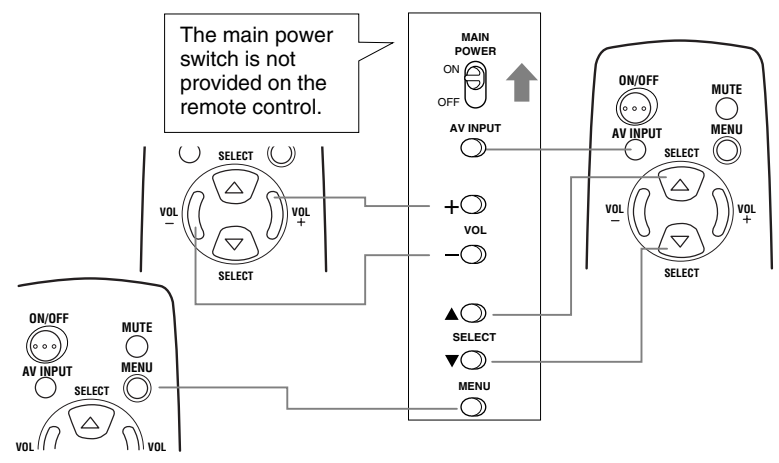
■ NAMES OF PARTS (Remote Control)

Remote control



■ The side control section of the main unit is also provided with the **AV INPUT**, **SELECT (▲)/(▼)**, **VOL (+)/(-)** and **MENU** buttons.
 * When this manual describes button functions, it is referring to the buttons on the remote control.

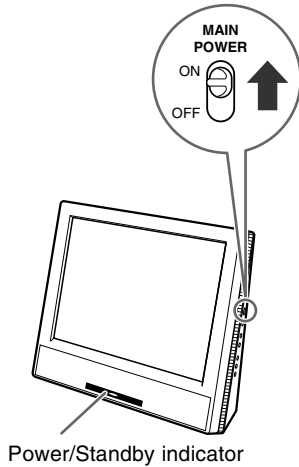
Side control section of main unit



BASIC OPERATION

Turning on MAIN POWER

Control section of main unit

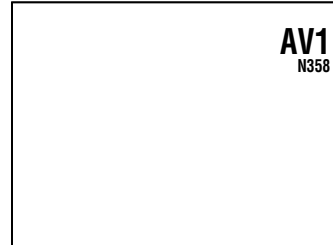


- 1 Slide **MAIN POWER**, located on the right side of the main unit, to **ON**.
- 2 The power indicator instantaneously changes from red to green and the main unit is turned on.

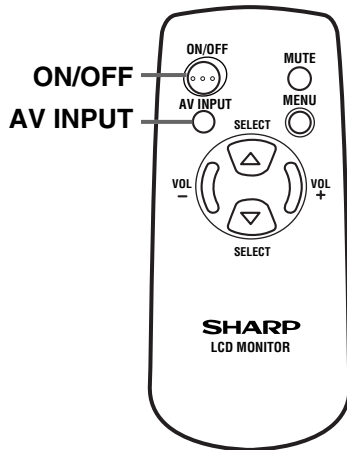
Notes:

- When the Power indicator is red, press **ON/OFF** on the remote control to turn on the monitor. The Power indicator changes from red to green.
- The input mode indication disappears after five seconds.

▼ On-screen display



Switching the AV INPUT [AV1/AV2] Mode

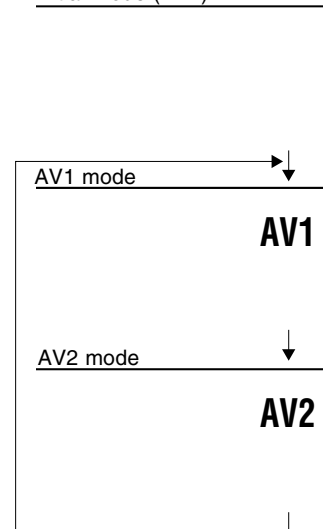


- 1 Turn on the power of the connected video equipment.
- 2 Press **AV INPUT** and select the applicable input source. The screen displays AV1 or AV2 mode at the upper right corner each time **AV INPUT** is pressed.

Note:

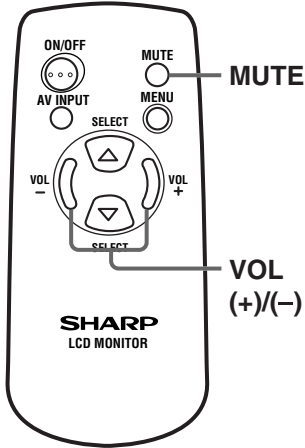
- The AV input mode indication remains for five seconds.
- AV1: Video equipment connected to the AV1 input terminals. The display of the AV1 mode indicates either AV1 or COMPONENT depending on the adjustment of the SET UP settings. AV1 is displayed when AV1 is set to NORMAL in the SET UP settings, and COMPONENT is displayed when AV1 is set to COMPONENT. (see page 18)
- AV2: The AV2 mode can be set to either IN or OUT in the SET UP settings. (see page 18) AV2 indication is not displayed when the mode is selected to OUT.

Initial mode (AV1)



BASIC OPERATION (Continued)

Sound Volume


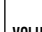


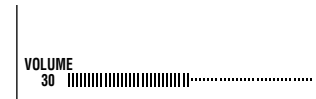
To adjust the volume

- Press **VOL (+)** to increase the sound volume. The indicator segment increases.
- Press **VOL (-)** to decrease the sound volume. The indicator segment decreases.



To mute the sound

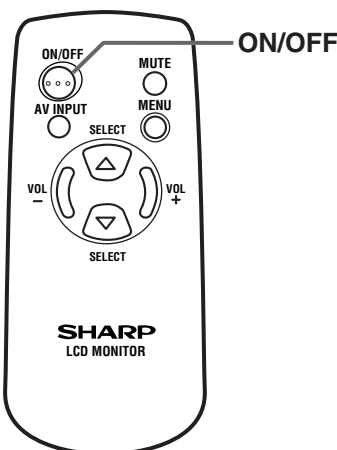
- Press **MUTE** to temporarily turn off the sound. The MUTE mark  is displayed.
- Press **MUTE** or **VOL (+)/(-)** to turn the sound back to the previous level. The MUTE mark  disappears.



Note:

- MUTE is automatically cleared when the following button is pressed: **ON/OFF**, **VOL (+)/(-)** or **MUTE**.

ON/OFF Standby



To turn off the LCD monitor

Press **ON/OFF**.
The power indicator turns red.

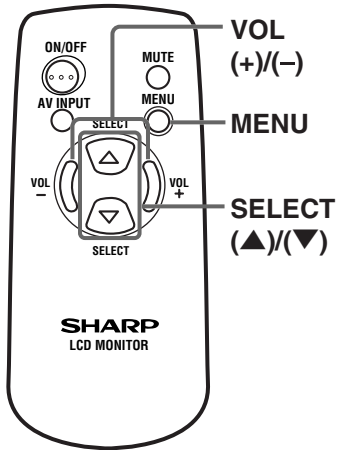
To turn the LCD monitor back on

Press **ON/OFF** again.
The power indicator turns green.

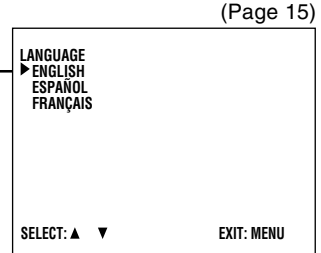
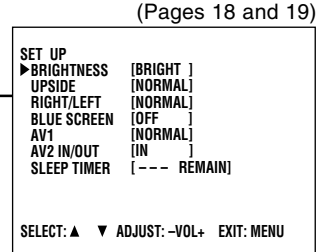
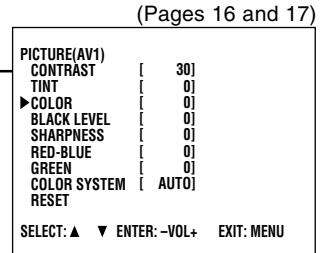
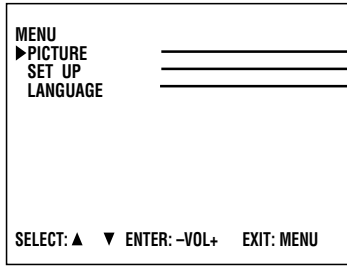
SELECTING THE MENU ITEMS

Selecting the Menu Items

- This LCD monitor set allows you to adjust the picture, sound, and other features using the On-screen Display. Select the desired menu item by following the steps below and then refer to the indicated page for details.



- Press **MENU** to display the MENU screen.
- Press **SELECT (▲)/(▼)** to select the desired menu item.
 - The cursor moves up or down.
 - The cursor indicates the selected menu item.
- Press **VOL (+)/(-)** to enter.
- Press **MENU** again to exit.



Notes:

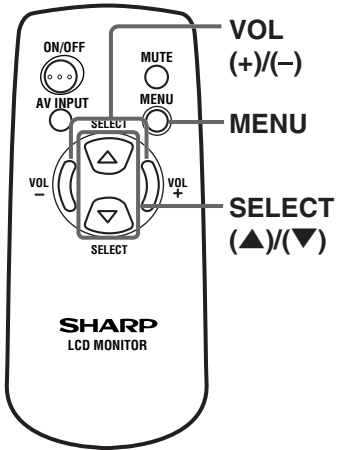
- The displayed items differ depending on the setting conditions.
- The selected item is highlighted in yellow.
- Items in purple cannot be selected.
- The original screen is restored by pressing **MENU** on the menu screen or any of the adjustment screens. The original screen is also restored when no buttons have been pressed for about a period of 30 seconds. The adjustment values and settings that were changed before the screen is restored are saved as is in the memory.

* The screen indications shown above are larger than actual size for easy reading.

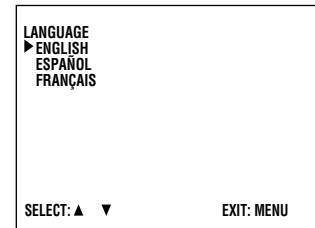
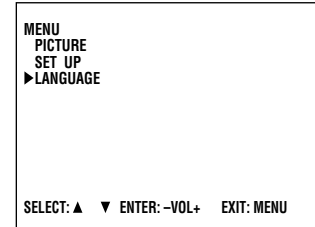
ADJUSTMENT

Adjusting the LANGUAGE Settings

MENU on the LCD monitor set can also be used to select the language.

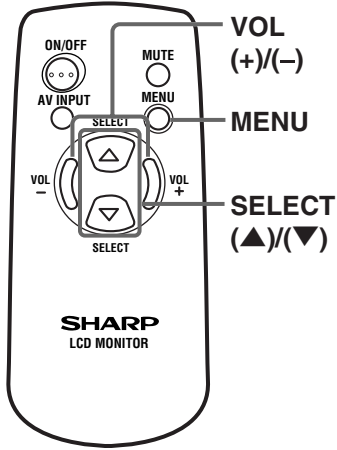


- 1 Press **MENU** to display the MENU screen.
- 2 Press **SELECT (▲)/(▼)** to move the cursor to LANGUAGE, and then press **VOL (+)/(-)** to display the LANGUAGE screen.
- 3 Press **SELECT (▲)/(▼)** to select the language you want to display.
- 4 Press **MENU** again to exit.

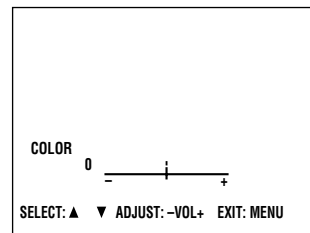
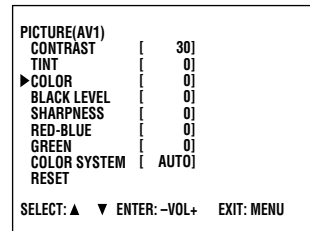
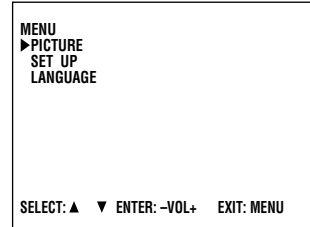


ADJUSTMENT (Continued)

Adjusting the PICTURE Settings



- 1** Press **MENU** to display the MENU screen.
- 2** Press **SELECT (▲)/(▼)** to move the cursor to PICTURE, and then press **VOL (+)/(-)** to display the PICTURE screen.
- 3** Press **SELECT (▲)/(▼)** to move the cursor and select the desired adjustment item.
All items that can be adjusted are shown in the table on the next page.
- 4** Press **VOL (+)/(-)** to display the screen for the selected adjustment item.
- 5** Press **VOL (+)/(-)** to make the adjustment.
- 6** Press **MENU** again to exit.





ADJUSTMENT (Continued)

Adjusting the PICTURE Settings (Continued)

Selected item	Press VOL (-) .	Press VOL (+) .
CONTRAST	Decrease contrast	Increase contrast
TINT	Toward purple	Toward green
COLOR	Lower color intensity	Higher color intensity
BLACK LEVEL	Decrease brightness	Increase brightness
SHARPNESS	Soft picture	Sharp picture
RED-BLUE	More red	More blue
GREEN	Less green	More green
COLOR SYSTEM	Press VOL (+)/(-) to select COLOR SYSTEM. → AUTO ↔ N358 ↔ N443 ↔ PAL ↔ PAL-M ↔ PAL-N ↔ SECAM ↔ PAL60 ←	

Note:

■ TINT is displayed only when N358 or N443 is selected.

Switching the COLOR SYSTEM

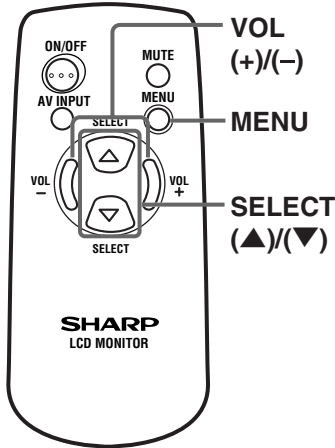
Set the system to AUTO for normal reception. The AUTO mode automatically detects the receiving signal system and changes the reception system of the set.

When the picture or sound is not stable, switching to an appropriate system may improve the picture or sound quality.

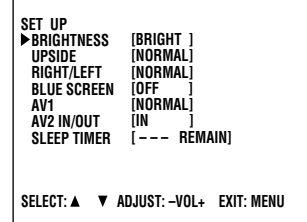
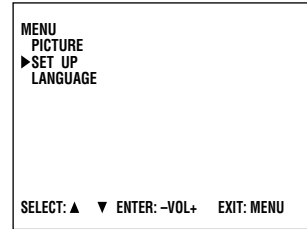
ADJUSTMENT (Continued)



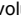
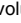
Adjusting the SET UP Settings

The SET UP items can be set by the user.



- 1 Press **MENU** to display the MENU screen.
- 2 Press **SELECT (▲)/(▼)** to move the cursor to SET UP.
- 3 Press **VOL (+)/(-)** to display the SET UP screen.
- 4 Check the factory setting of each item on the SET UP screen.
The user can change the settings with **SELECT (▲)/(▼)** and **VOL (+)/(-)**.
- 5 Press **MENU** again to exit.



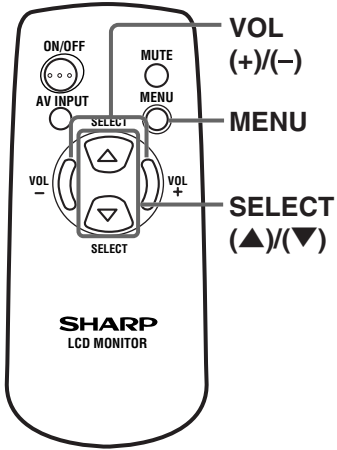
Selected item	Factory setting	Setting change
BRIGHTNESS	[BRIGHT] Maximum brightness	[NORMAL] Brightness 60% → Suitable for viewing in well-lit areas. Saves energy. [DARK] Brightness 20% → Sufficiently bright when viewing in dim areas.
UPSIDE	[NORMAL] Normal vertical image orientation	[DOWN] Inverted image → To display images upside down for special uses. 
RIGHT/LEFT	[NORMAL] Normal horizontal image orientation	[MIRROR] Mirror image → To display mirror images for special uses. 
BLUE SCREEN	[OFF] This feature is inactivated.	[ON] The screen is turned blue when there is no signal.
AV1	[NORMAL]	[COMPONENT]
AV2 IN/OUT	[IN]	[OUT  [OUT 
SLEEP TIMER	[--- REMAIN]	The setting can be specified in increments of 30 minutes and in a range between 30 and 120 minutes. (see page 19)

Note:

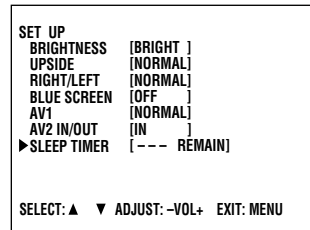
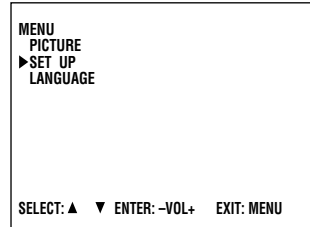
■ In BLUE SCREEN, PICTURE setting displayed in purple cannot be selected.

ADJUSTMENT (Continued)

Adjusting the SLEEP TIMER Settings



- 1** Press **MENU** to display the MENU screen.
- 2** Press **SELECT (▲)/(▼)** to move the cursor to SET UP, and then press **VOL (+)/(-)** to display the SET UP screen.
- 3** Press **SELECT (▲)/(▼)** to move the cursor to SLEEP TIMER, and then press **VOL (+)/(-)** to set SLEEP TIMER (in minutes).
The setting can be specified in increments of 30 minutes and in a range between 30 and 120 minutes. The setting is turned off when --- is displayed.
- 4** Press **MENU** again to exit.



Note:

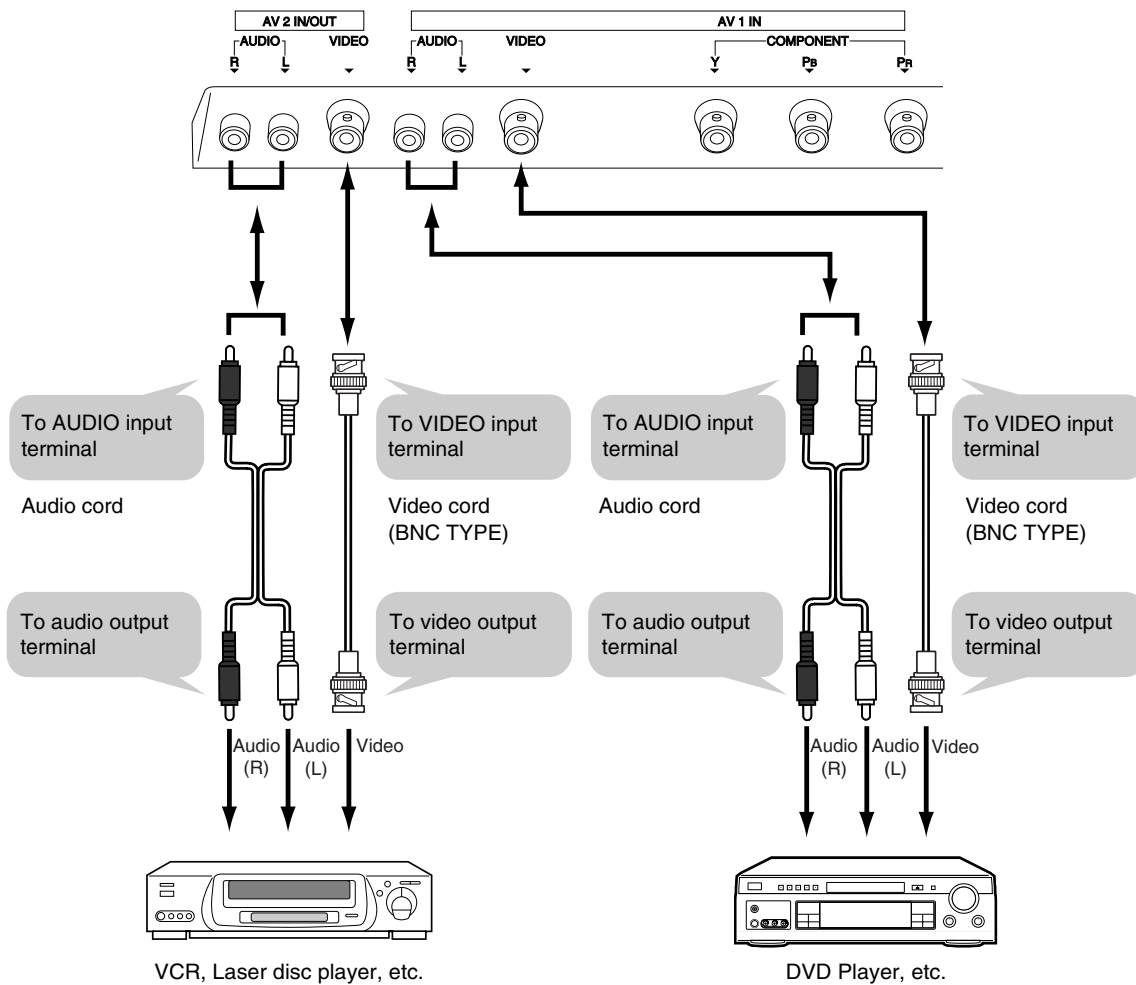
- If the monitor's power is turned off and then turned back on again after the SLEEP TIMER has been set, the setting will be canceled.



CONNECTING TO EXTERNAL DEVICES

Connecting to a VCR, a DVD Player, etc. (AV 1/2 IN)

This LCD monitor can be connected to most external devices as shown below. When connecting to an external device, turn off the power of the main unit and then connect to the device to prevent any possible damage.



* For improved picture quality from video sources with COMPONENT output, use the connection diagram on page 21.

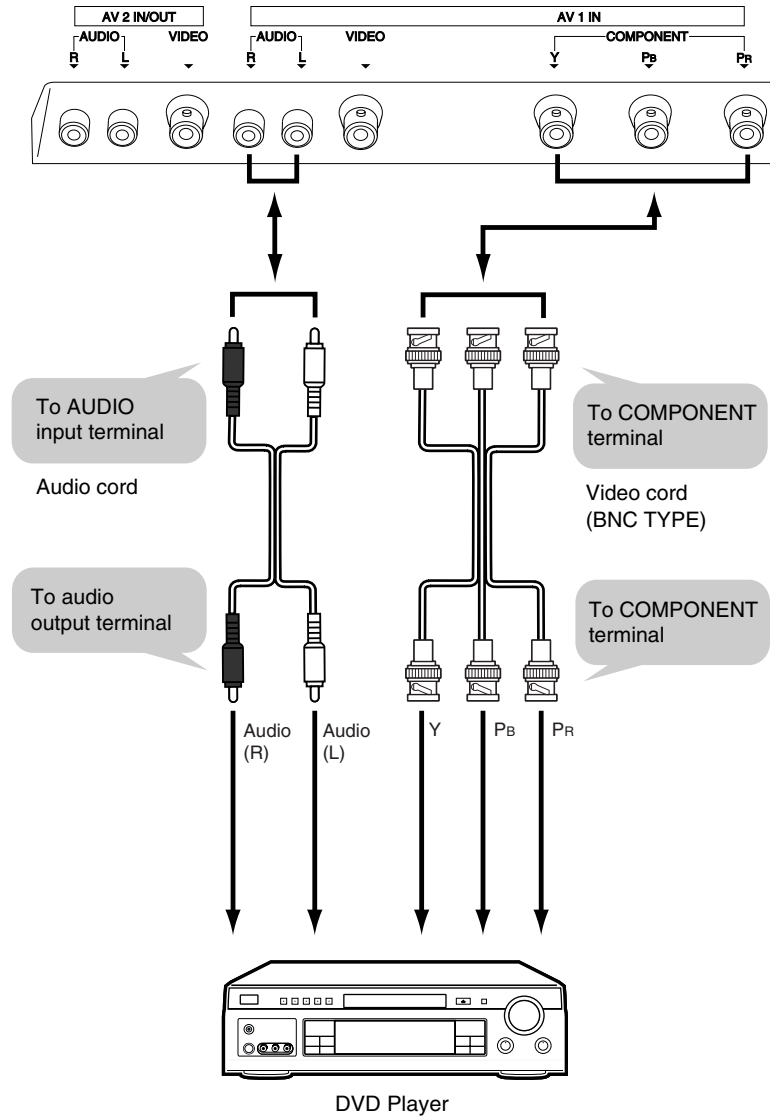
Notes:

- PC connection is not possible.
- Use a commercially available audio/video cord for the cable.
- When connecting or disconnecting the video cord (BNC TYPE) to or from the VIDEO input terminal, disconnect the audio cable.
- Only connect audio/video signals to AV 1/2 IN terminals. Connecting other signals may result in a malfunction.
- Do not connect headphones to AV 2 IN.
- For details concerning the usage and connection of external devices, see their respective instruction manuals.



CONNECTING TO EXTERNAL DEVICES (Continued)

Connecting to a DVD player (COMPONENT terminal)



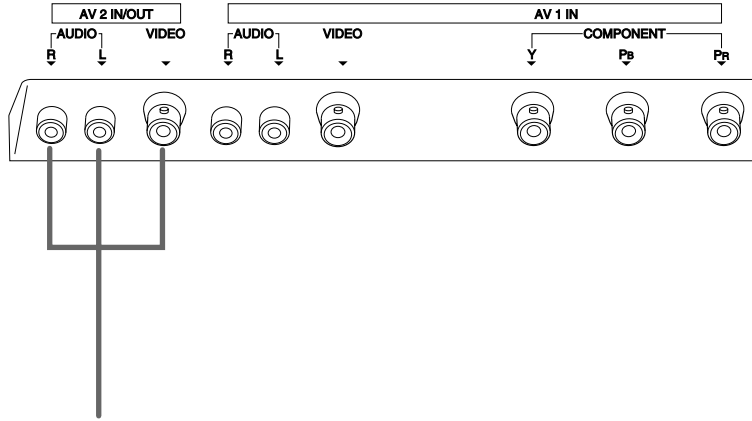
Note:

- To view the image from the component connected to the terminals for AV 1 IN, set AV1 to COMPONENT with the SET UP setting (see page 18).

CONNECTING TO EXTERNAL DEVICES (Continued)

Outputting video and audio (video output)

It is possible to output video and audio from the set through the AV output terminals (AV-OUT).



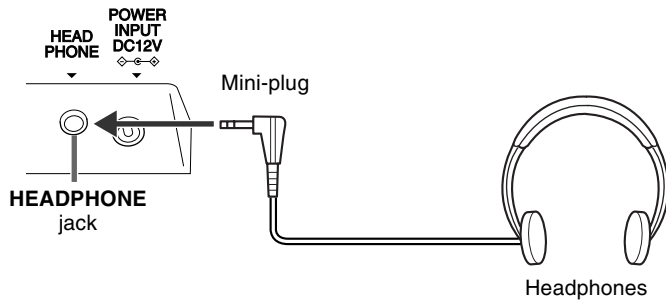
Connect a VCR, Audio amplifiers, etc

Notes:

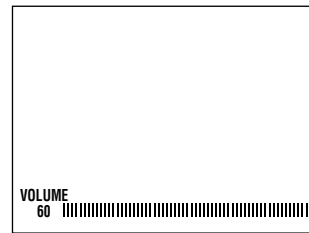
- AV2 can be set to input or output. When set to input, output is not possible and vice versa.
- When using COMPONENT, there is no video output can be made to the AV output terminal, but there is audio output for connecting to external audio systems.

Listening with Headphones

- Plug the headphone mini-plug into the headphone jack located on the rear side of the set.



▼ On-screen display



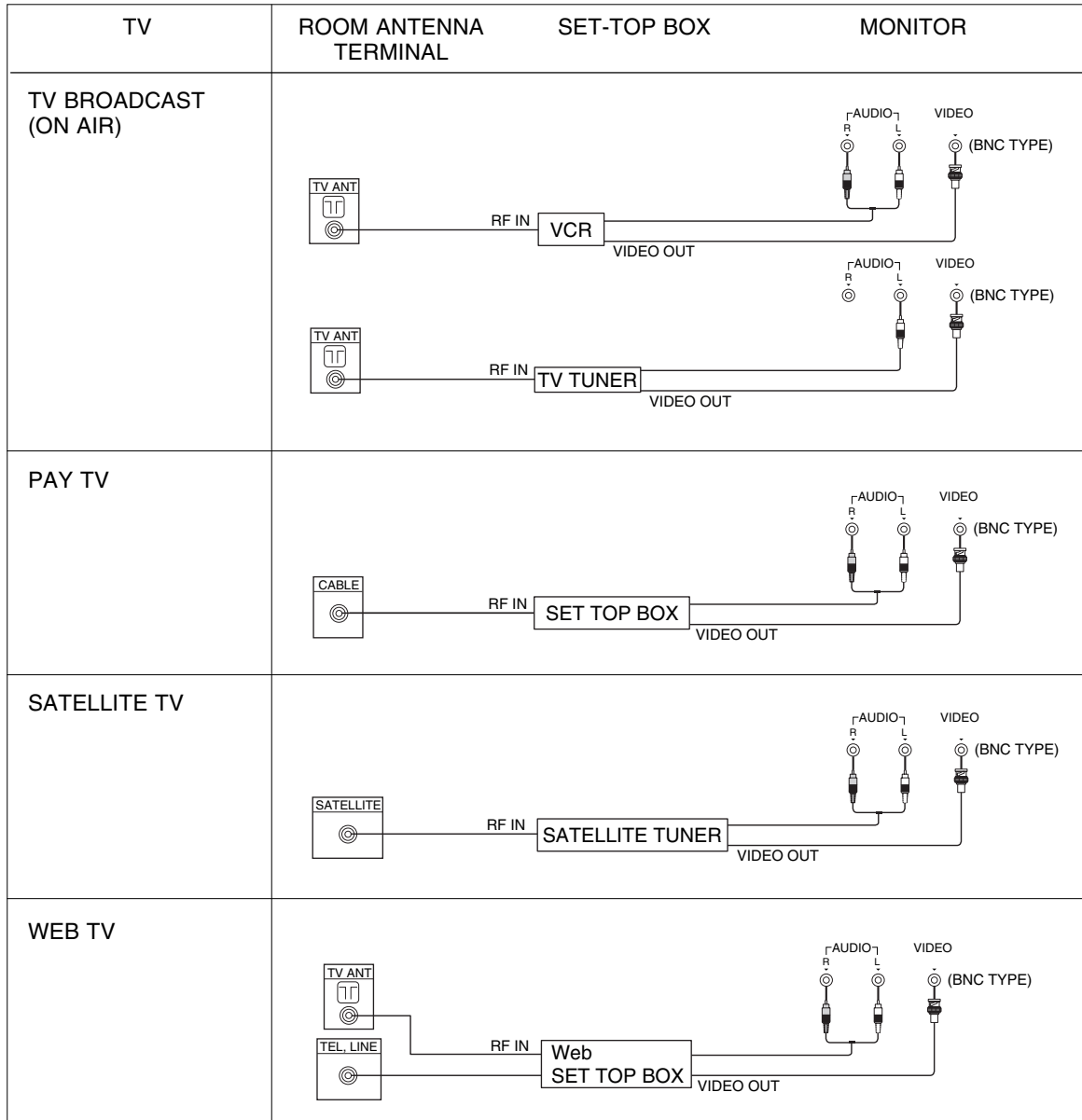
Notes:

- The headphones are not included in the supplied accessories.
- No sound will be heard from the main unit speakers when the headphones are connected.

CONNECTING TO EXTERNAL DEVICES (Continued)

Watching TV

To view a TV broadcast on the LCD monitor, the set-top box must be used with a TV tuner, satellite tuner or VCR. Refer to the diagram below for wiring.



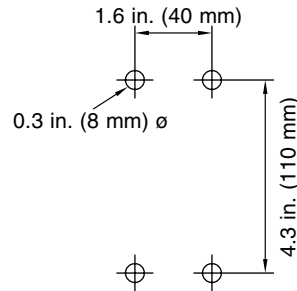
EXAMPLE OF APPLICATION

Mounting the LCD monitor on a wall

Note:

■ Consult with your dealer and authorized shop before installation. (Various materials are used for wall. Some materials may not be strong enough or thick enough to hold the mounting screws in place or support the weight of the set.)

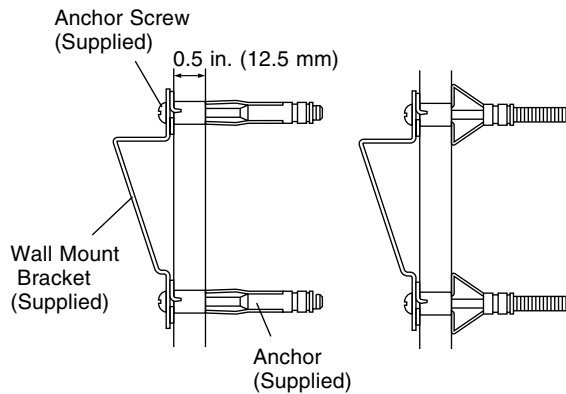
- 1 Drill holes measuring 0.3 in. (8 mm) in diameter on the wall (hollow wall, plaster board).
- 2 Insert the supplied anchors into the holes, and strike the heads of the anchors with a hammer until the anchors are securely installed in the wall.



Note:

■ The supplied anchor screws are inserted in anchors. Remove the screws from the anchors before installation.

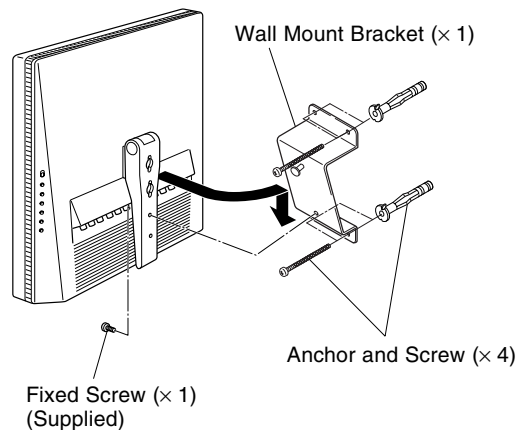
- 3 Position the supplied wall mount bracket in place using the anchor screws. Tighten the anchor screws securely.



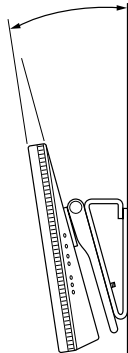
CAUTION: • The wall mount bracket must be installed with four anchor screws. Be sure to tighten so that it will not fall down under a pulling force of at least 44 lbs (20 Kg).

- The anchors are designed for plaster boards with a thickness of 0.5 in. (12.5 mm). For a 0.4-in. (9.5 mm) thickness board or a wooden wall, find similar anchors or screws at a hardware store.

- 4 Mount the back stand of the main unit on the wall mount bracket with the supplied fixed screw.



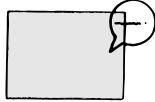
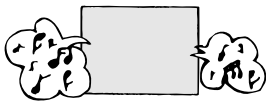




Approx. 8° Max.



* To change the vertical angle of the monitor, tilt the screen up to 8° downward. Adjust the angle of the monitor for the most comfortable viewing.



TROUBLESHOOTING

Problem	Check item	Pages
 <p>No image on screen, and no sound from speakers.</p>	<ul style="list-style-type: none"> • Make sure that the AC power cord plug is securely inserted in AC power outlet and AC adapter. • Make sure that the AC adapter's DC output is securely connected to main unit's DC input terminal. • Make sure that the main power switch of the main unit is on. • Make sure that the AV input is properly set. • Make sure that the cables are correctly connected to rear terminal section of LCD monitor. • Check to see if the batteries in the remote control have sufficient power. • Make sure that the unit is not in the standby mode (power indicator is red). 	<p>8</p> <p>12</p> <p>12</p> <p>8</p> <p>13</p>
 <p>Speakers produce sound, but no image on screen.</p>	<ul style="list-style-type: none"> • Make sure that the cables are correctly connected. 	20, 21
 <p>Image is too light or improperly tinted.</p>	<ul style="list-style-type: none"> • Check COLOR and TINT adjustments. (NTSC ONLY) • Check CONTRAST and BLACK LEVEL adjustments. • Check RED-BLUE adjustments. • Make sure that the VCR connection cord is correctly connected to the COMPONENT terminal. 	<p>17</p> <p>17</p>
 <p>Image is displayed, but no sound from speakers.</p>	<ul style="list-style-type: none"> • Make sure that the cables are properly connected to rear terminal section of LCD monitor. • Check the volume adjustment. • Make sure that the sound is not muted. • Make sure that the headphones are not connected. 	<p>13</p> <p>13</p> <p>22</p>
 <p>Image is too dark.</p>	<ul style="list-style-type: none"> • Check to see if BRIGHTNESS is set to DARK. • Check CONTRAST and BLACK LEVEL adjustments. • Lamp may have reached the end of its life. (Contact a Sharp service shop for a lamp replacement.) 	<p>18</p> <p>17</p>
 <p>No colors on image.</p>	<ul style="list-style-type: none"> • Check COLOR adjustment. • Check the color system setting. • Make sure that the VCR connection cord is correctly connected to P_B and P_R of the COMPONENT terminal. 	<p>17</p> <p>17</p>
<p>Remote control does not work.</p>	<ul style="list-style-type: none"> • Check to see if the batteries in the remote control have sufficient power. • Make sure that (+) and (-) side of batteries are properly positioned in remote control. • Make sure that the remote sensor window is not under strong fluorescent lighting. 	<p>8</p> <p>8</p>

SPECIFICATIONS

ITEMS		LC-15M4U
LCD	Panel	15" Black TFT LCD
	Number of dots	921,600 (640 × 3 × 480) dots
	Low reflection	Non-glare
	Brightness	430 cd/m ²
	Viewing angles	Left to right 160°
		Upper to lower 160°
	Lamp Life	60,000 hours (at normal mode)
COLOR SYSTEM	System	N358/N443/PAL/PAL-M/PAL-N/PAL-60/SECAM
AUDIO	Output	3.4 W (0.7 W × 2 + 2.0 W)
	Speaker	Full range 1.2 × 1.6 in. (3 × 4 cm) Oval, 2 pcs.
		Woofers 2.6 in. (6.5 cm) Round, 1 pc.
TERMINALS	AV 1 IN	Video Composite (BNC TYPE), Audio R/L Component input, Y/Pb/Pr (BNC TYPE)
	AV 2 IN/OUT	Video Composite (BNC TYPE), Audio R/L
	Headphone jack	0.1 in. (3.5 mm) ø jack
POWER SUPPLY	DC operation	DC 12 V, Typical: 1.9 A, Max: 3.2 A
	AC operation	AC 110~240 V, 50/60 Hz with AC adapter
	Power consumption	AC 120 V, Typical: 28 W, Standby: 0.5 W
APPEARANCE	Exterior color	Silver
	Outside dimensions	14.1 (W) × 12.2 (H) × *2.5 (D) in. (357.0 (W) × 309.2 (H) × *62.5 (D) mm)
	Net weight	7.5 lbs (3.4 kg), incl. stand, excl. accessories
ACCESSORIES	Operation manual	Language: English/French/Spanish/Portuguese
	Remote control	Infrared wireless type
	Wall mount parts	Wallmount Bracket × 1 pc. Fixed Screw × 1 pc. Wallmount Anchor and Screw × 4 pc.
	AC adapter	Auto-wide type, 1 pc. DC cable: 6.5 ft (2 m) DC power converter: 2.5 (W) × 1.5 (H) × 4.7 (D) in. (65 (W) × 37 (H) × 120 (D) mm)
	AC cord	6.1 ft (1.85 m), 1 pc.
	Batteries	"AAA" size (UM/SUM-4) Dry Battery × 2 pc.
OSD LANGUAGE	Language	English/French/Spanish

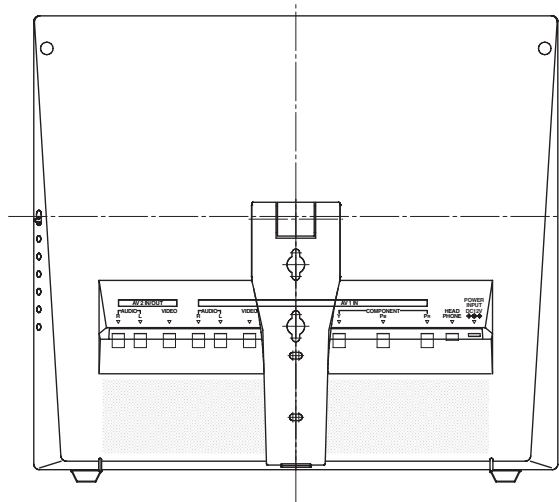
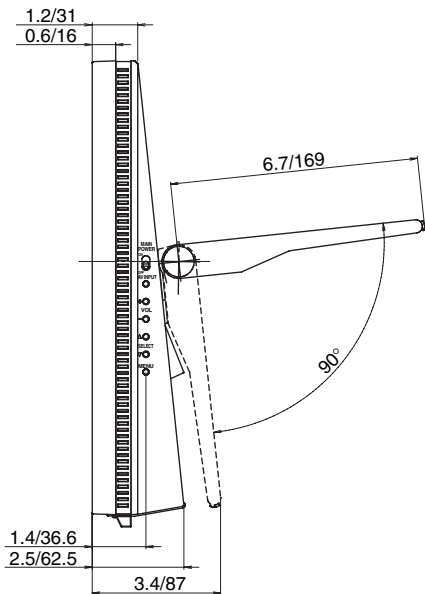
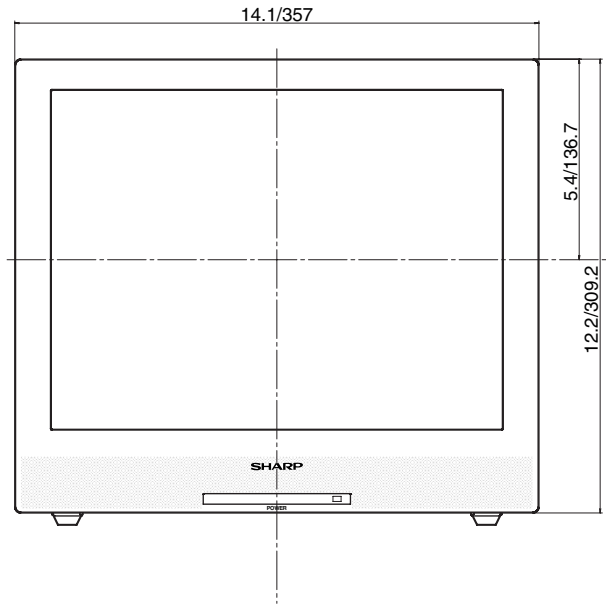
As a part of policy of continuous improvement, SHARP reserves the right to make design and specification changes for product improvement without prior notice. The performance specification figures indicated are nominal values of production units. There may be some deviations from these values in individual units.

* Excluding stand.



DIMENSIONAL DRAWINGS

Unit: inch/mm



Calling for Service

For location of the nearest Sharp Authorized Service, or to obtain product literature, accessories, supplies, or customer assistance, please call 1-800-BE-SHARP.

LIMITED WARRANTY

END-USER LIMITED WARRANTY

SHARP ELECTRONICS CORPORATION warrants to the first end user purchaser that this Sharp brand product (the "Product"), when shipped in its original container, will be free from defective workmanship and materials, and agrees that it will, at its option, either repair the defect or replace the defective Product or part thereof with a new or remanufactured equivalent at no charge to the purchaser for parts or labor for the period(s) set forth below.

This warranty does not apply to any appearance items of the Product nor to the additional excluded item(s) set forth below nor to any Product the exterior of which has been damaged or defaced, which has been subjected to improper voltage or other misuse, abnormal service or handling, or which has been altered or modified in design or construction.

In order to enforce the rights under this limited warranty, the purchaser should follow the steps set forth below and provide proof of purchase to the servicer.

To the extent permitted by applicable state law, the warranties set forth herein are in lieu of, and exclusive of, all other warranties, express or implied. Specifically, ALL OTHER WARRANTIES OTHER THAN THOSE SET FORTH ABOVE ARE EXCLUDED. ALL EXPRESS AND IMPLIED WARRANTIES INCLUDING THE WARRANTIES OF MERCHANTABILITY, FITNESS FOR USE, AND FITNESS FOR A PARTICULAR PURPOSE ARE SPECIFICALLY EXCLUDED. If, under applicable state law, implied warranties may not validly be disclaimed or excluded, the duration of such implied warranties is limited to the period(s) from the date of purchase set forth below.

Neither the sales personnel of the seller nor any other person is authorized to make any warranties other than those described herein, or to extend the duration of any warranties beyond the time period described herein on behalf of Sharp.

The warranties described herein shall be the sole and exclusive warranties granted by Sharp and shall be the sole and exclusive remedy available to the purchaser. Correction of defects, in the manner and for the period of time described herein, shall constitute complete fulfillment of all liabilities and responsibilities of Sharp to the purchaser with respect to the Product, and shall constitute full satisfaction of all claims, whether based on contract, negligence, strict liability or otherwise. In no event shall Sharp be liable, or in any way responsible, for any damages or defects in the Product which were caused by repairs or attempted repairs performed by anyone other than an authorized servicer. Nor shall Sharp be liable or in any way responsible for any incidental or consequential economic or property damage. Some states do not allow limits on warranties or on remedies for breach in certain transactions; in such states, the limits herein may not apply.

Model Specific Section

Your Product Model Number & Description:	LC-15M4U LCD AV MONITOR (Be sure to have this information available when you need service for your Product.)
Warranty Period for this Product:	One (1) year parts and labor from the date of purchase.
Additional Item(s) Excluded from Warranty Coverage (if any):	None
Where to Obtain Service:	From a Sharp Authorized Servicer located in the United States. To find the location of the nearest Sharp Authorized Servicer, call Sharp toll free at 1-800-BE-SHARP.
What to do to Obtain Service:	Ship prepaid or carry in your Product to a Sharp Authorized Servicer. Be sure to have Proof of Purchase available. If you ship the Product, be sure it is insured and packaged securely.

TO OBTAIN PRODUCT INFORMATION, CALL 1-888-LCD-SHARP.

SHARP®

SHARP ELECTRONICS CORPORATION

Sharp Plaza, Mahwah, New Jersey 07430-2135