

Operator's Manual

CRAFTSMAN®

3 Ton Floor Jack

Model 50139

CRAFTSMAN®

FOR AFTER SALE PARTS AND SERVICE:
Call 8 AM - 5 PM PST., Monday - Friday
1-888-448-6746

PARA VENTA DE PARTES Y SERVICIO:
Llame 8 AM - 5 PM Tiempo Pacifico., Lunes - Viernes
1-888-448-6746



WARNING : Before using this appliance, read this Operator's Manual and follow all its Safety Rules and Operating Instructions.

- Safety
- Operation
- Maintenance

Sears, Roebuck and Co., Hoffman Estates, IL 60179 U.S.A.
www.sears.com

Printed in China

SAFETY INSTRUCTIONS

Read Operating Instructions

Study, understand and follow all instructions in this manual before operating the jack. Failure to heed these warnings may result in loss of load, damage to the jack and/or jack failure resulting in personal injury or property damage.

Position the Jack

Position the jack to only lift on the areas of the vehicle specified by the vehicle manufacturer.

Use Support Stands

After lifting the vehicle always support the load with appropriately rated vehicle supports stands before working on the vehicle.

Do Not Overload Jack

Do not overload this jack beyond its rated capacity. Overloading this jack beyond its rated capacity can cause damage to or failure of the jack.

Use on Hard Level Surface

This jack is designed only for use on hard level surfaces capable of sustaining the load. Use on other than hard level surfaces can result in jack instability and possible loss of load.

Center Load on Jack Saddle

Center load on jack saddle before lifting vehicle. Off-center loads and loads lifted when the jack is not level can cause loss of load or damage to the jack.

KEEP HANDS AND FEET CLEAR OF THE JACK HINGE MECHANISM AND GROUND CONTACT AREA WHEN LOWERING THE LOAD !

THIS JACK IS A LIFTING DEVICE ONLY!



THIS JACK IS DESIGNED ONLY FOR LIFTING PART OF THE TOTAL VEHICLE. DO NOT MOVE OR DOLLY THE VEHICLE WHILE IT IS ON THE JACK.

WARRANTY

CRAFTSMAN ONE YEAR FULL WARRANTY

If this Craftsman product fails due to a defect in material or workmanship within one year from the date of purchase, return it to any Sears store or other Craftsman outlet in the United States for free replacement.

This warranty applies for only 90 days from the date of purchase if this product is ever used for commercial or rental purposes.

This warranty gives you specific legal rights, and you may also have other rights which vary from state to state. Sears, Roebuck and Co., Hoffman Estates, IL 60179

DESCRIPTION

Craftsman model 50139 features an 6,000 lbs. maximum capacity. Lifting range for this jack is 5-15/16 inches to 19-1/4 inches. Jack features an overload valve which helps prevent equipment failure. Bypass system provides safe operation.

Specifications

Compact design allows use in confined spaces

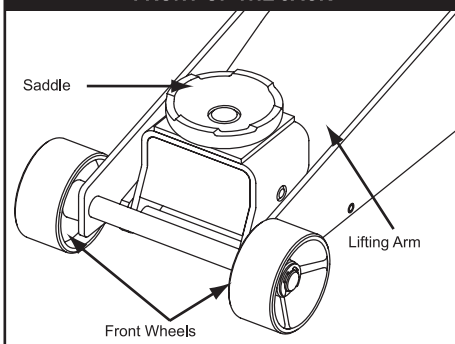
Maximum load capacity.....3 tons (6000 lbs.)

Lift range..... 5-15/16 to 19-1/4 inches

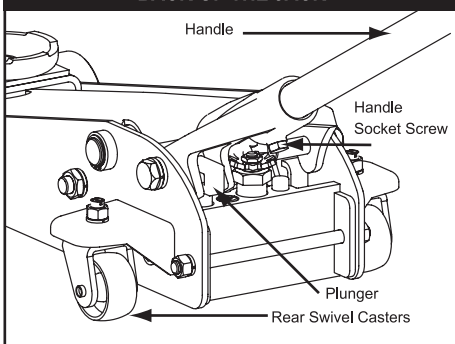
Size (LxWxH).....24.6"x13.46"x7.08"

Weight w/handle.....73.3 lbs.

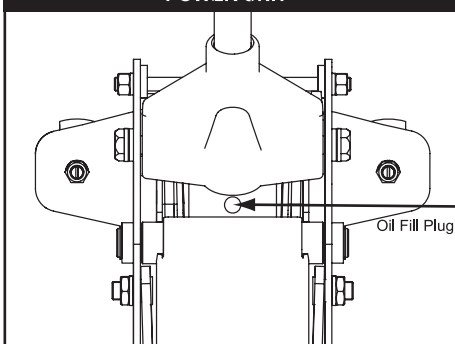
FRONT OF THE JACK



BACK OF THE JACK



POWER UNIT



ASSEMBLY

Assembly

Handle Assembly

- Prior to assembly please remove the BLOCK as show in picture 1.
- Refer to picture 2 when performing this step. Take off the screw located on handle piece 1. Attach handle piece 1 and 2 making sure to align the holes on both pieces. Reinsert the screw and tighten it.
- Fully unfasten the screw located in the Handle Socket to insert the assembled handle (picture 3).
- Line up the square hole located at the bottom of the handle over the square bolt inside the Handle Socket.
- Secure the handle in place by tightening the screw in the Handle Socket.

NOTE
