

Quick Setup Guide

SERIES 5
5000

Congratulations on the purchase of your new Samsung TV. Read this setup guide to get your TV up and running quickly.



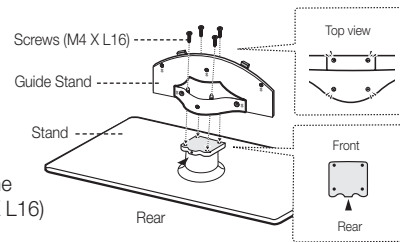
1-800-SAMSUNG (1-800-726-7864)
Samsung Electronics America, Inc.
85 Challenger Road Ridgefield Park, NJ 07660-2112
Samsung Electronics Canada Inc.
55 Standish Court Mississauga, Ontario L5R 4B2
Call Center hours of operation: Mon-Sun, 9:00 AM -12 AM EST.
To register this product, visit: www.samsung.com/register.

Step 1: Install the Stand

Follow the steps below to connect the TV to the stand.

NOTE

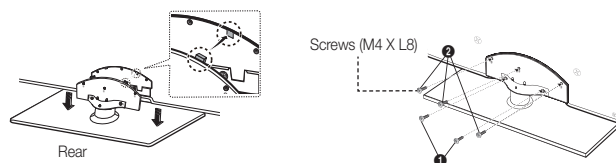
- Make sure to distinguish between the front and back of the Stand and Guide Stand when assembling them.
- Make sure that at least two persons lift and move the LED TV.
- Stand the product up fasten the screws. If you fasten the screws with the LED TV placed down, it may lean to one side.



1 Connect the Guide Stand to the Stand using four screws (M4 X L16) as shown.

2 With your TV upright, connect the TV to the Stand as shown.

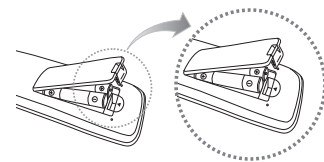
3 Fasten two screws (M4 X L8) at position 1, and then fasten three screws (M4 X L8) at position 2.



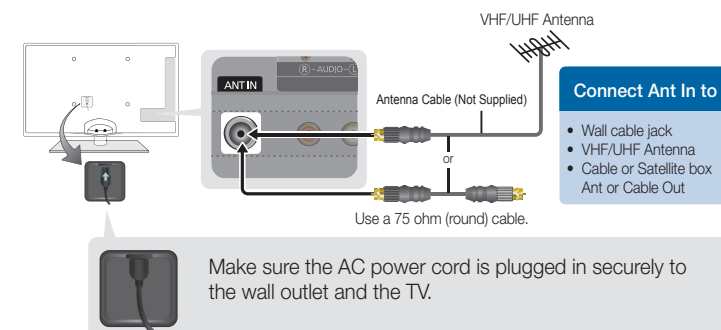
Step 2: Install the Batteries into the Remote

To install batteries into your remote control, follow these steps:

- Lift the cover on the back of the remote upward as shown in the figure to the right.
- Install two AAA batteries.
 - Make sure to match the + and - ends of the batteries to the diagram in the battery compartment.
- Replace the cover.



Step 3: Connect Power and Antenna or Cable



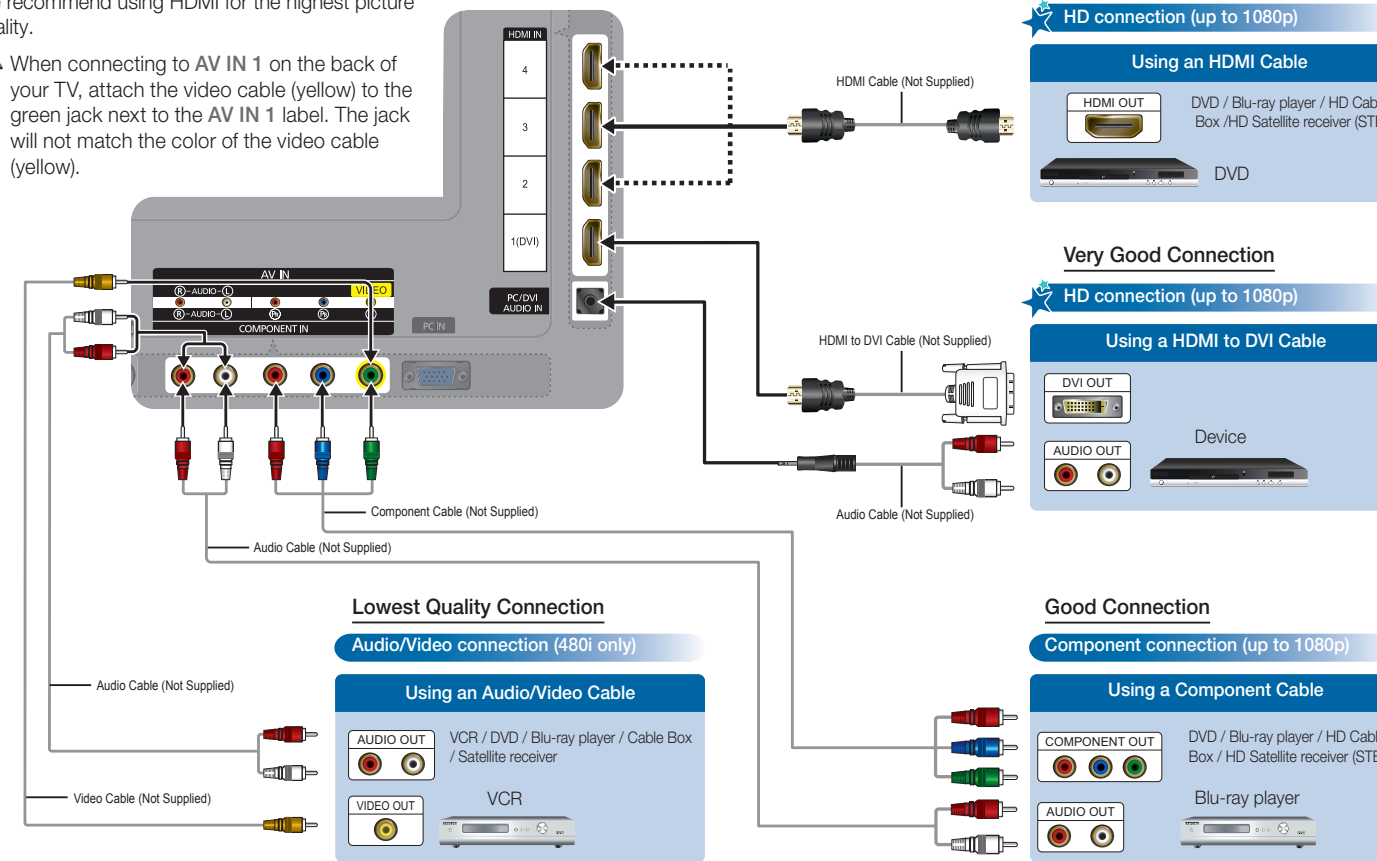
Step 4: Connect External Devices

Connecting an AV device (DVD/Blu-ray player, cable/satellite box, etc.)

Use one of the connections below to connect your TV to an external AV device.

We recommend using HDMI for the highest picture quality.

When connecting to AV IN 1 on the back of your TV, attach the video cable (yellow) to the green jack next to the AV IN 1 label. The jack will not match the color of the video cable (yellow).



Step 5: Run Plug & Play

When you turn on your TV for the first time, it automatically launches the Plug & Play function. With Plug & Play, you can select the On Screen Display language, set the clock mode, and launch the TV's channel memorizing process.

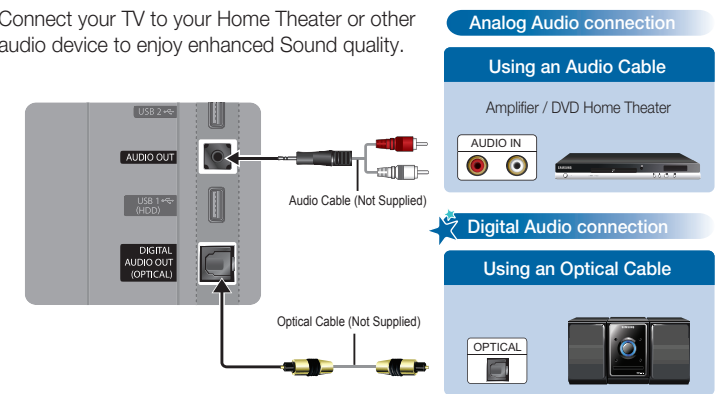
To navigate while Plug & Play is running, press the Up, Down, Left or Right arrow buttons on your remote. To make a selection, press the ENTER button.

To skip a screen, press the MENU button. To turn on your TV, press the POWER button on the remote or on the TV. To run Plug & Play, follow these steps:

- Using your remote control, select the language for the On Screen Display (OSD), and then press the ENTER button.
- Select **Home Use**, and then press the ENTER button. If you select **Store Demo**, the TV will reset your picture and audio settings every 30 minutes.
- Select **Antenna Source** and **Channel Source**. If **Antenna Source** is **Cable** or **Auto**, you must select **Channel Source** to same type as your cable system type. After selecting source, select **Search**; then press the ENTER button on your remote.
 - Most cable systems are Standard(STD) systems, If you are not sure about what kind of cable system you have, contact your cable company.
 - If your TV is attached to a cable or satellite box, skip Steps 3 through 5. After Plug & Play is complete, set your TV to Channel 3 or 4, according to the directions for your cable or satellite box.
- The TV memorizes the available channels. This process can take up to 45 minutes.
- After the TV has memorized the channels, choose the **Clock Mode**. Select **Auto** if you have a digital channel in your area. Select **Manual** if you don't, or if you have a cable or satellite box. When done, press the ENTER button.
 - If you select **Manual**, the clock setting screen appears.

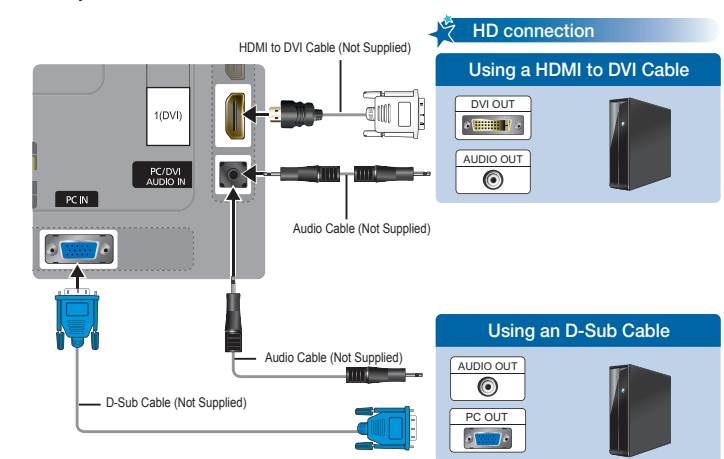
Connecting an audio device (Home Theater, etc.)

Connect your TV to your Home Theater or other audio device to enjoy enhanced Sound quality.



Connecting a PC

Connect your TV to a PC to use it as a Monitor.



Changing the Picture Mode

Your TV has four preset **Picture Modes** with factory adjusted settings, each designed to give you an excellent picture under specific conditions.

The **Picture Modes** are listed and described in the table below:

Mode	Description
Dynamic	Brightens picture. For a vibrant, enhanced image in brightly lit or sunny room.
Standard	For a bright, detailed picture in a normally lit room.
Natural	For a comfortable, easy-on-the-eyes picture in a normally lit room.
Movie	For a studio quality cinema picture in a dimly lit or dark room.

To change the **Picture Mode**, follow these steps:

- Turn on your TV, press the **TOOLS** button on your remote. The **Tools** menu appears.
- Using the **▲** or **▼** on your remote, select **Picture Mode**.
- On the **Picture Mode** menu, use the **◀** or **▶** on your remote to select the **Picture Mode** you want.
- Press the **EXIT** button to exit the menu.

Setting the Clock

Before you can use your TV's On/Off Timer, you must set the clock. To set the clock, follow these steps:

- Turn on your TV, press the **MENU** button on your remote, then select **Setup** → **Time**.
- Select **Clock Mode**, and then press the ENTER button.
- Choose **Auto** or **Manual**.
 - If you select **Auto**, the current time will be set automatically using the time from a digital channel.
 - If you select **Manual**, you can set the **Month, Day, Year, Hour, Minute** and **am/pm** directly by pressing up, down, left and right arrow button on your remote.
- Press the **RETURN** button on your remote when done.

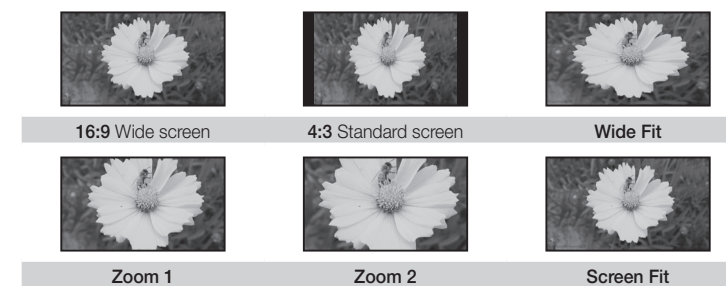
- Select the daylight savings time setting: **Off** or **On**, and then press the ENTER button.
- Select the time zone in which you live, and then press the ENTER button.
- After the time zone screen, The connection method for best HD screen quality is displayed. Press Right arrow button on your remote to view each screen in succession. Press the Blue button to skip this section.
- The **Enjoy your TV.** screen appears. Then press the ENTER button.

Changing the Screen Size

Your TV has several screen size options, each designed to work best with specific types of video input. If you have a cable box or satellite receiver, it may have its own set of screen sizes as well.

To change the screen size, press the **P.SIZE** button on your remote. The first time you press it, your TV displays the current setting. Thereafter, each time you press the **P.SIZE** button, you change the size of the picture on the screen.

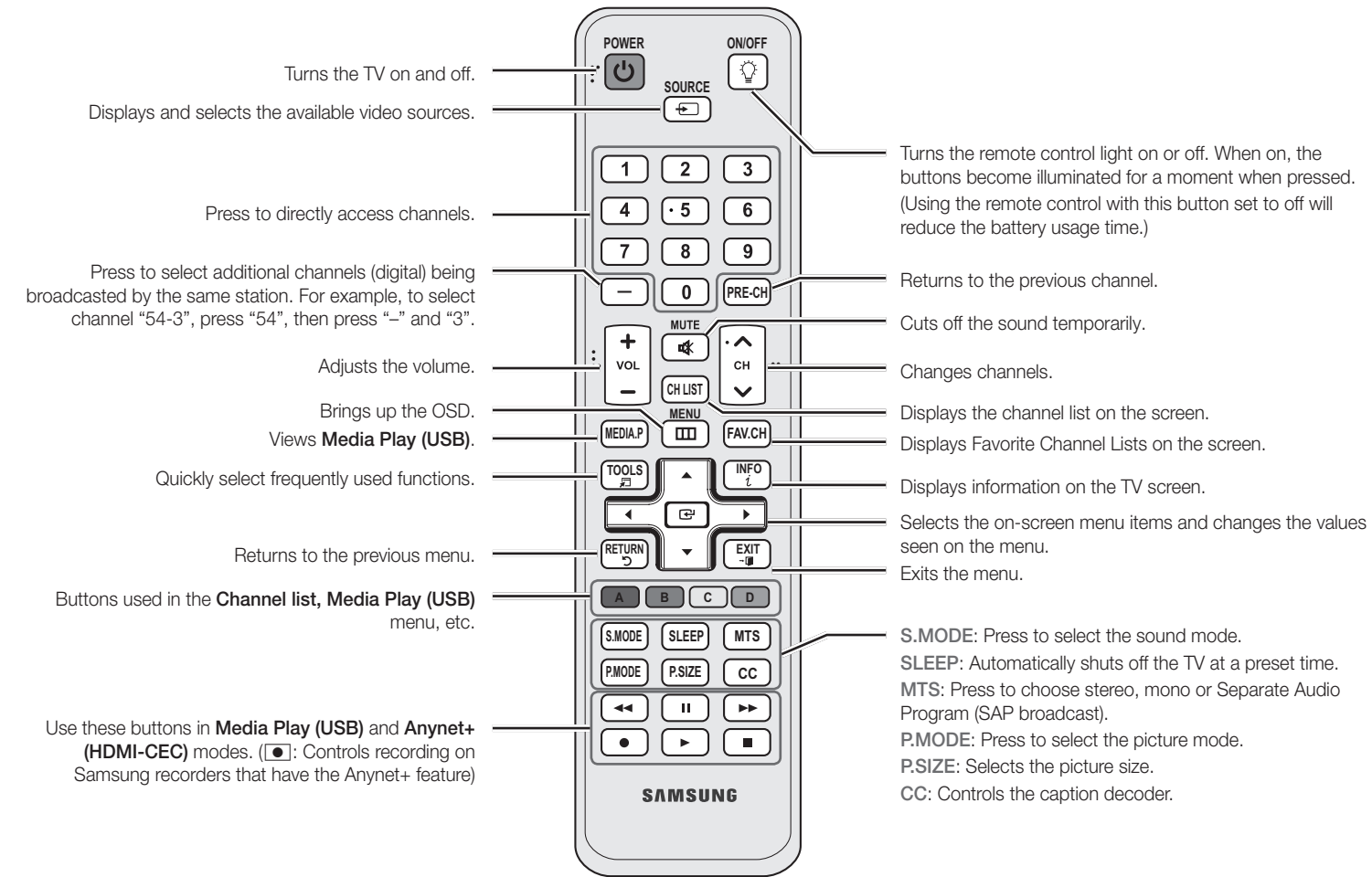
The following sizes are available:



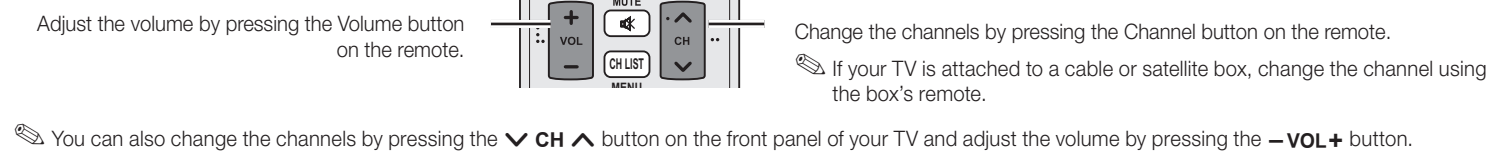
Screen Fit displays the full image without any cut-off when HDMI (720p / 1080i / 1080p) or Component (1080i / 1080p) signals are inputted.

Remote Control Buttons and Functions

This is a special remote control for the visually impaired and has Braille points on the Power, Channel and Volume buttons.



Changing Channels and Adjusting the Volume



Viewing the On Screen Menus

To view the On Screen Menus, follow these steps:

- Turn on your TV, press the MENU button on your remote. The main menu appears. The menu's left side has the following menu options: **Picture, Sound, Channel, Setup, Input, Application, and Support**.
- Press the **▲** or **▼** button on your remote to select a menu option, and then press the ENTER button.
- When done using the menu, press the EXIT button on your remote to exit.

Selecting a Source

To watch a movie on your Blu-ray player or watch your favorite TV show, you must select the correct source. A source is a device, such as a Blu-ray/DVD player, a cable/satellite box, antenna or a cable TV input. Sources can be connected to your TV through the HDMI, DVI, Component, Composite, or D-sub connections, or through the Antenna or Cable In connections.

To view the signal from a source connected to the HDMI, DVI, Component, Composite, or D-sub jack, press the SOURCE button on your remote. Each time you press the SOURCE button, you change to a different source.

Using Auto Motion Plus

Auto Motion Plus 120Hz™ technology virtually eliminates any blur in video that include fast motion such as sports and action movies. To activate Auto Motion Plus, follow these steps:

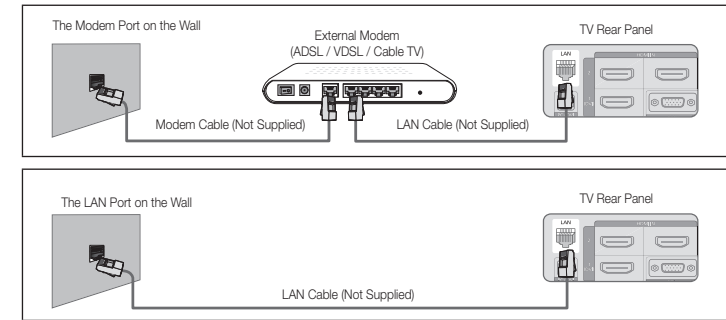
- Turn on your TV, press the MENU button on your remote, then select **Picture Options** → **Auto Motion Plus 120Hz**.
- Select the **Auto Motion Plus 120Hz** setting you want.
 - If noise occurs on the screen, please set up the **Auto Motion Plus 120Hz** to **Off**. If **Auto Motion Plus 120Hz** is **Custom**, you can set up the **Blur Reduction, Judder Reduction** or **Reset** manually.
 - If **Auto Motion Plus 120Hz** is **Demo**, you can compare the difference of on and off modes.
- Press the RETURN button on your remote when done.

Step 6: The Internet@TV and Media Play Features

Your TV's Internet@TV feature lets you connect to an ever-expanding portal of your favorite on-line digital content. Customizable widgets give you access to Blockbuster, Facebook, YouTube, Flickr, Netflix* and more - all on your HDTV. The Media Play feature lets you connect to your PC through your home network and stream PC audio and video files to your HDTV using your remote. To use IPTV or Samsung PC Share Manager, you must connect your TV to your network. You can attach the TV to your network in two ways, by cable, using CAT 5 cable, or wirelessly, using a Samsung Wireless LAN Adapter. Instructions for both connection methods are below.

Network Connection - Wired

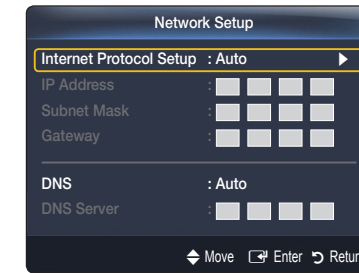
There are two main ways to connect your TV to your network using cable, depending on your network setup. They are illustrated below:



Configuring the Network Connection - Wired

Most home networks use the Dynamic Host Configuration Protocol (DHCP) to configure network connections. Home networks that support DHCP automatically provide the IP address, subnet mask, gateway, and DNS values your TV needs to access the Internet so you don't have to enter them manually. To configure your network connection for a network that uses DHCP, follow these steps:

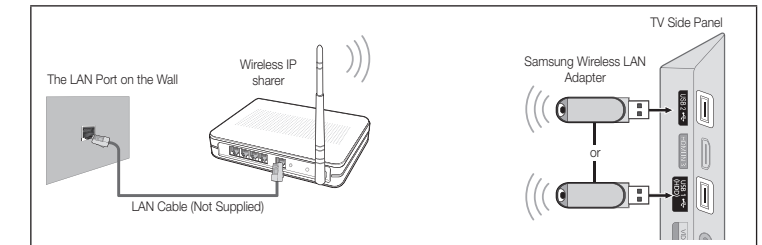
- Connect your TV to your network as shown in one of the illustrations above.
- Turn on your TV, press the MENU button on your remote, and then select **Setup** → **Network**.
- Set the **Network Type** to **Wired** if it is not already set to **Wired**.
- Select **Network Setup**. The **Network Setup** screen appears.
- On the **Network Setup** menu, set **Internet Protocol Setup** and **DNS** to **Auto**. **Auto** acquires and enters the necessary internet values automatically.
- Select **Network Test** to check Internet connectivity.



Some networks are Static IP networks. If your network is a Static IP network, you can not use DHCP to configure the network connection. Instead, you must enter the **IP Address, Subnet Mask, Gateway, and DNS Server** manually. For instructions explaining how to configure a Static IP network, see your user's manual.

Network Connection - Wireless

You can connect your TV to your LAN through a standard wireless router or modem. To connect wirelessly, you must first attach a "Samsung Wireless LAN Adapter" (WIS09ABGN - sold separately) to either the USB1 (HDD) or USB2 port on the back of your TV. See the illustration below.



Samsung's Wireless LAN adapter supports the IEEE 802.11A, IEEE 802.11B, IEEE 802.11G, and IEEE 802.11N wireless communication protocols. For your TV to connect to your network, the wireless router or modem you use must also support one of these protocols. The fastest of these protocols is IEEE 802.11N.

Most wireless network systems incorporate a security system that requires devices that access the network through an access point or AP (typically a wireless modem or router) to transmit an encrypted security code called an access key.

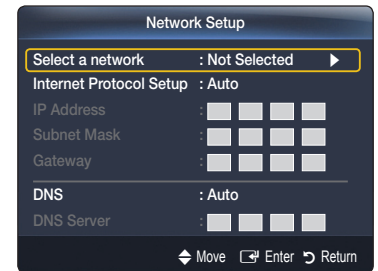
When connecting Samsung Wireless LAN Adapter to TV in 802.11N mode, WEP/TKIP/TKIP-AES is not supported.

Configuring the Network Connection - Wireless

The instructions below are for networks that use the Dynamic Host Configuration Protocol (DHCP) to configure network connections automatically. If you have a Static IP network, see your user's manual for configuration instructions.

To configure your network connection for a network that uses DHCP, follow these steps:

- Connect your TV to your network as shown in the illustrations above.
- Turn on your TV, press the MENU button on your remote, and the select **Setup** → **Network**.
- Set the **Network Type** to **Wireless** if it is not already set to **Wireless**.
- Select **Network Setup**. The **Network Setup** screen appears.
- On the **Network Setup** menu, select an AP(Access Point) and ad hoc network. if you have selected network with a security key, the **Security Key** screen appears.
- Enter the security key using the numbers on the remote, and then press the Blue button on your remote.
 - If your network uses WEP security encryption, 0-9 and A-F will be available on the **Security Key** screen. Use the Direction button on your remote to move to the characters and the enter key to select them.
- On the **Network Setup** menu, set **Internet Protocol Setup** and **DNS Setup** to **Auto**. The **Auto** acquires and enters the necessary internet values automatically.
- Select **Network Test** to check internet connectivity.



For more information, see your user's manual.

Connecting a USB Device for Media Play

You can enjoy photo, music, and movie files stored on a USB device by connecting it to the TV and using the Media Play feature. For **Media Play** operating instructions, please see your Owner's Manual.

