

Bose® Home Theater Speakers

**Model V-100 video speaker
V-300™ home theater speaker set**

Owner's Guide

Brugervejledning

Bedienungsanleitung

Guía del usuario

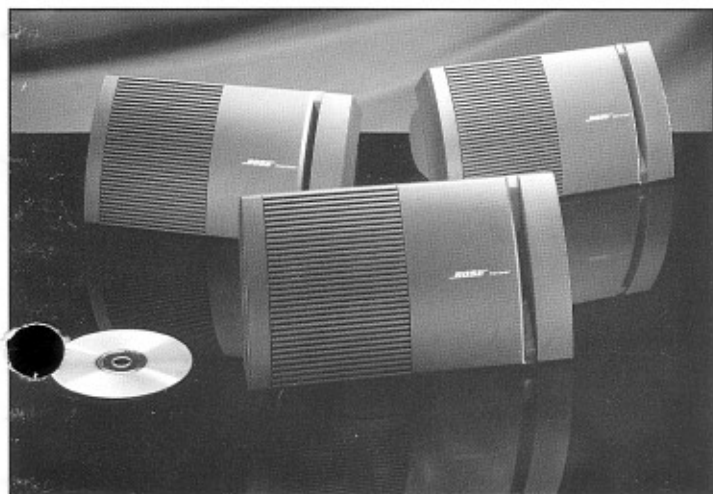
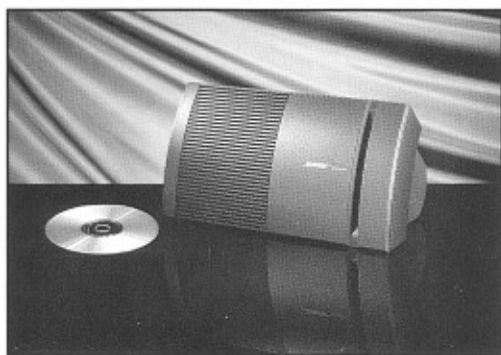
Notice d'utilisation

Manuale di istruzioni

Gebruiksaanwijzing

Bruksanvisningen

BOSE



Where to find...

Setting Up

Before you begin 3
 Unpack the carton 4
 Center the video speaker 5
 Position your surround speakers 6
 Connect the speakers 7
 For the Model V-100 speaker, choose cord 7
 For V-300™ speakers, use the supplied cord 7
 Be sure to use the cord properly 7
 Make the connections 8
 Check the connections 9

Completing Your Surround Sound Setup

Use your receiver to vary the sound 10
 Test each speaker 10
 Expand your home theater system 11

Maintaining Your Home Theater Speakers

Cleaning speakers 12
 Troubleshooting 12
 Customer service 12
 Warranty period 13

Product Information

Technical information 13
 Declaration of conformity 13

Appendix ii – vi

Bose® Corporation inside back cover

For your records

A serial number and a date of manufacture (DOM) are located on the back of your video speaker. A DOM is also located on the back of each surround speaker.

Video speaker serial number: _____

Video speaker DOM: _____

Surround speaker DOM: _____

Dealer name: _____

Dealer phone: _____

Purchase date: _____

We suggest you keep your sales slip and warranty card together with this owner's guide.

Before you begin

Thank you for choosing Bose® home theater speakers. Both Model V-100 video speaker and the V-300™ home theater speaker set are engineered specifically for use with video sound tracks. They are designed to make the most of audio for video (A/V) surround sound receivers or amplifiers with five amplified speaker outputs.

The StarDriver™ full-range driver in each speaker makes these Bose home theater products well-suited for movie dialogue or surround sound effects.

In either package you purchased, there is a single video speaker. Its magnetic shielding allows you to put this speaker close to your video screen without causing interference. There it will deliver clear, crisp soundtrack reproduction from the center channel. Other speakers at the front of your room provide the left and right video sound.

In addition to one video speaker, the V-300 set contains two unshielded surround speakers. They are designed for use at the rear of your room. Advanced design brackets included in this package make the surround speakers simple to mount on a wall or ceiling.

Please read and follow the instructions in this guide. They will help you set up and use your new home theater speakers for the fullest listening, and viewing, enjoyment.

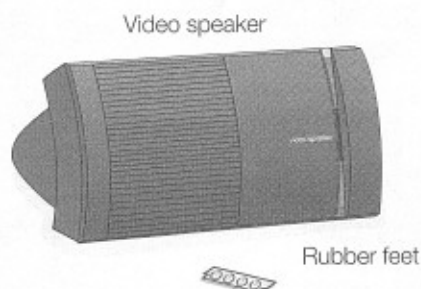
Unpack the carton

Carefully unpack the carton and save all packing materials for possible future use. Inspect the contents (Figure 1a or 1b).

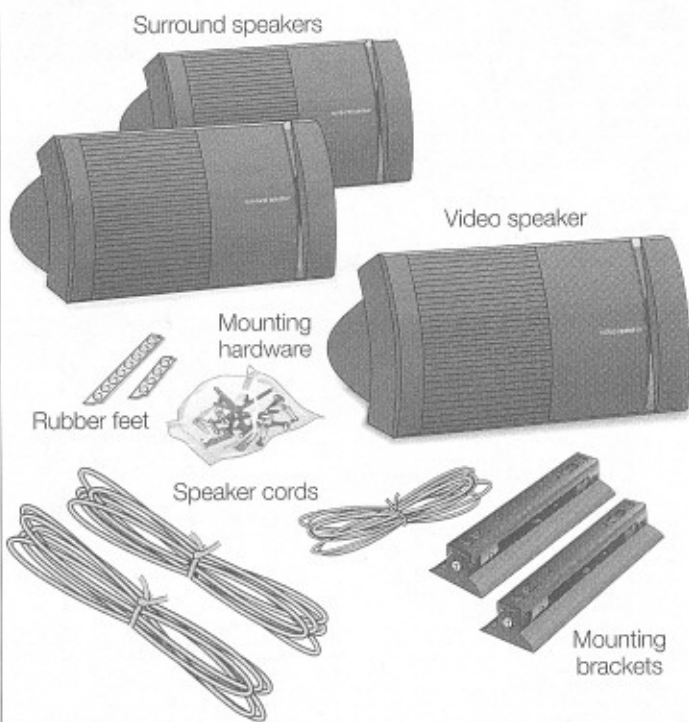
If any speaker appears damaged, do not use it. Instead, repack all parts in the original carton and notify Bose® or your authorized Bose dealer immediately.

Note: Now is a good time to record the numbers found on the back of each speaker. Write them on your warranty card and on page 2 of this owner's guide.

Model V-100 speaker carton



V-300 speaker carton



CAUTION:

To avoid danger of suffocation, keep the plastic bags that wrap these speakers out of the reach of children.

Figure 1a

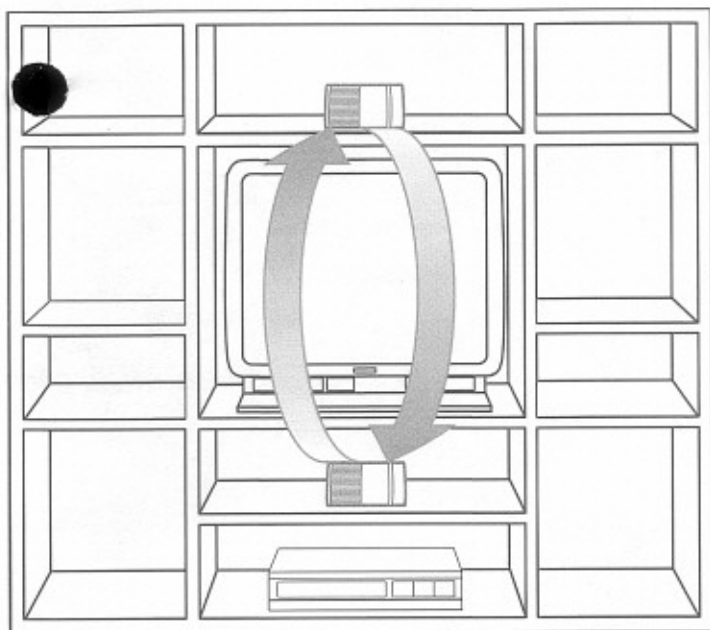
The Model V-100 speaker carton contains:

- Video speaker
- 4 self-adhesive rubber feet

Figure 1b

The V-300™ speaker carton contains:

- Video speaker
- 2 surround speakers
- 12 self-adhesive rubber feet
- 2 mounting brackets (assembled)
- Mounting hardware kit
- 3 speaker cords:
 - 1 20-foot cord for video speaker
 - 2 50-foot cords for surround speakers

**Figure 2**

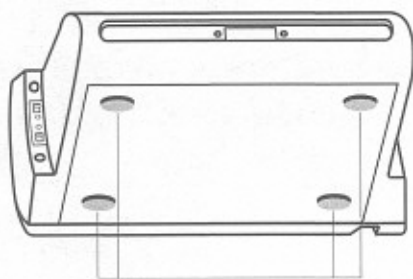
Alternate choices for placing the center channel video speaker

Center the video speaker

The video speaker provides center channel surround sound performance while taking up very little space. In its horizontal position, it fits easily on a shelf or table. You can also set the speaker directly above or below your television (Figure 2) for realistic dialogue. Magnetic shielding prevents video interference.

For full enjoyment, follow these placement guidelines:

- Place the speaker very close to your television set.
- Be sure to set it on a level surface.
- Apply the supplied rubber feet to the bottom surface of the speaker (Figure 3).



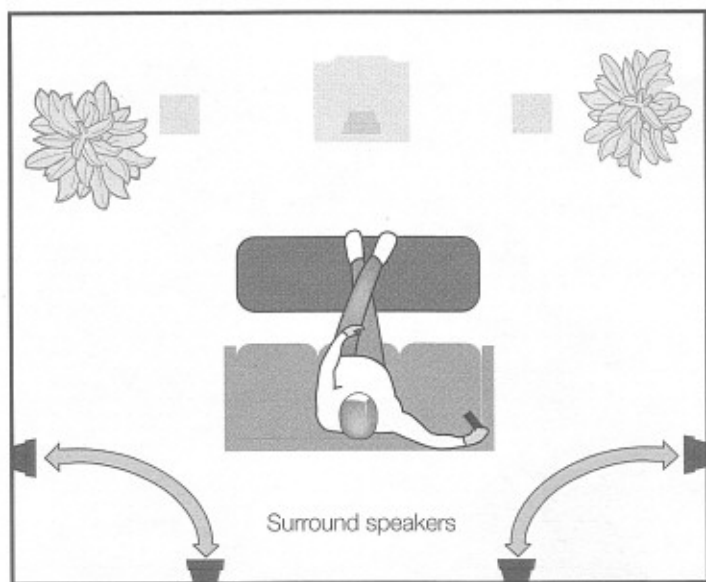
Self-adhesive feet

CAUTION:

Check for the Video Speaker label on the front of your speaker. That indicates the speaker is magnetically shielded, and can be placed close to your video screen.

Figure 3

Self-adhesive feet on the bottom of the video speaker

**Figure 4**

Alternate choices for placing the surround speakers

Position your surround speakers

Surround speakers in the V-300™ speaker set provide surround sound effects from the rear of your viewing area (Figure 4).

Brackets that come with these speakers allow you to mount them on the wall or ceiling. If you use the supplied brackets, refer to the bracket instructions in the Appendix. Do not connect the speakers before reading those instructions.

If you prefer, set the speakers on a table or shelf in a horizontal or vertical position.

For accurate surround sound:

- Place these speakers behind the general viewing area, along the rear wall or to the rear of side walls.
- Make sure they are at least 2 feet (.6 m) from your video screen.
- Place both speakers at the same height.
- Place the speakers as far apart as your room allows.
- To mount the speakers on brackets, be sure to leave room to tighten the bracket screw.
- To stand the speakers horizontally or vertically, apply the rubber feet to their bottom surface (Figure 5).

CAUTION:

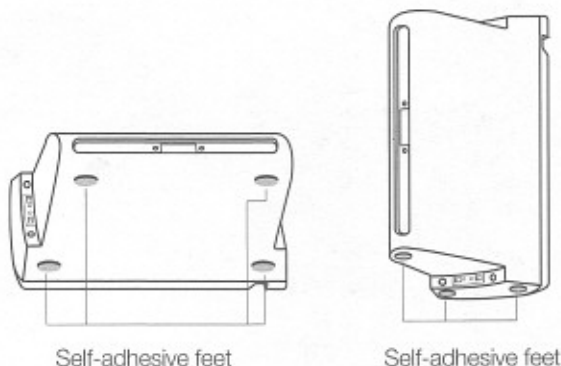
Do not place the surround speakers within two feet of your video screen. They are not magnetically shielded and will cause serious video interference if placed too close to the screen.

CAUTION:

The bracket screw must be inserted from the bottom on a vertically mounted bracket.

Figure 5

Self-adhesive feet on the bottom of a surround speaker in horizontal or vertical position



Connect the speakers

If your receiver's center channel is not amplified, you must connect an amplifier to the receiver. Use an RCA cable to connect the center channel RCA-type output on the receiver to the RCA-type input on the amplifier. The speaker will then connect directly to the amplifier instead of to the receiver.

Note: Before running speaker cord through a wall or under a floor, check your local building code requirements and safety regulations. You may want to contact an electrical installer for this information.

For the Model V-100 speaker, choose cord

It is important to use the proper gauge (thickness) of speaker cord. Standard zip cord (2-conductor, 18-gauge wire) works for most applications. You can find this wire at electrical and hardware stores.

At the ends of each cord, strip approximately 1/2 inch (12 mm) of insulation from both wires. Twist the bare end of each wire, so loose strands will not touch across terminals.

For V-300™ speakers, use the supplied cord

Use the supplied 20-foot cord to connect the video speaker that is close to your television. Use the two 50-foot cords to connect the surround speakers placed at the rear of your room.

Note: To place the surround speakers more than 50 feet from the receiver or amplifier, splice in 18-gauge (0.75 mm²) or thicker wire. Make sure to attach the wires positive to positive and negative to negative.

Be sure to use the cord properly

Speaker cord consists of two insulated wires. The insulation around one wire is marked (striped, collared, or ribbed). This marked wire is always positive (+). The plain wire is always negative (-). These wires correspond to the red (+) and black (-) terminals on the speaker and the receiver or amplifier.

Note: It is sometimes difficult to distinguish wire markings. Inspect both wires carefully.

CAUTION:

Before making any connections, turn off your receiver or amplifier and unplug it from the AC power (mains) outlet. Not doing so may result in damage to your system.

CAUTION:

Never use broken or frayed wiring, which can result in damage to your components.

Make the connections

At the connection end of the speaker, slide one terminal lever aside and insert the appropriate wire (Figure 6).

1. Connect one end of the speaker cord to your speaker.
 - a. Attach the marked wire to the red (+) terminal.
 - b. Attach the plain wire to the black (-) terminal.
2. Connect the other end of the same cord to your receiver or amplifier (Figure 7).
 - a. Attach the marked wire to the red (+) terminal.
 - b. Attach the plain wire to the black (-) terminal.
 - The video speaker connects to the CENTER SPEAKER outputs. Some surround sound receivers have two sets of center channel speaker outputs. Use either set.
 - The left surround speaker connects to the LEFT SURROUND SPEAKER outputs.
 - The right surround speaker connects to the RIGHT SURROUND SPEAKER outputs.

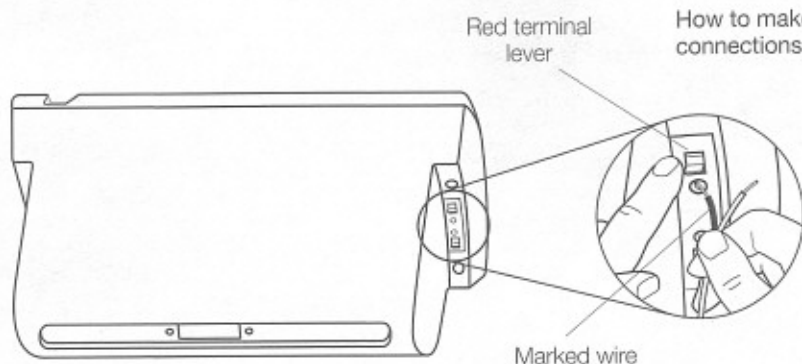
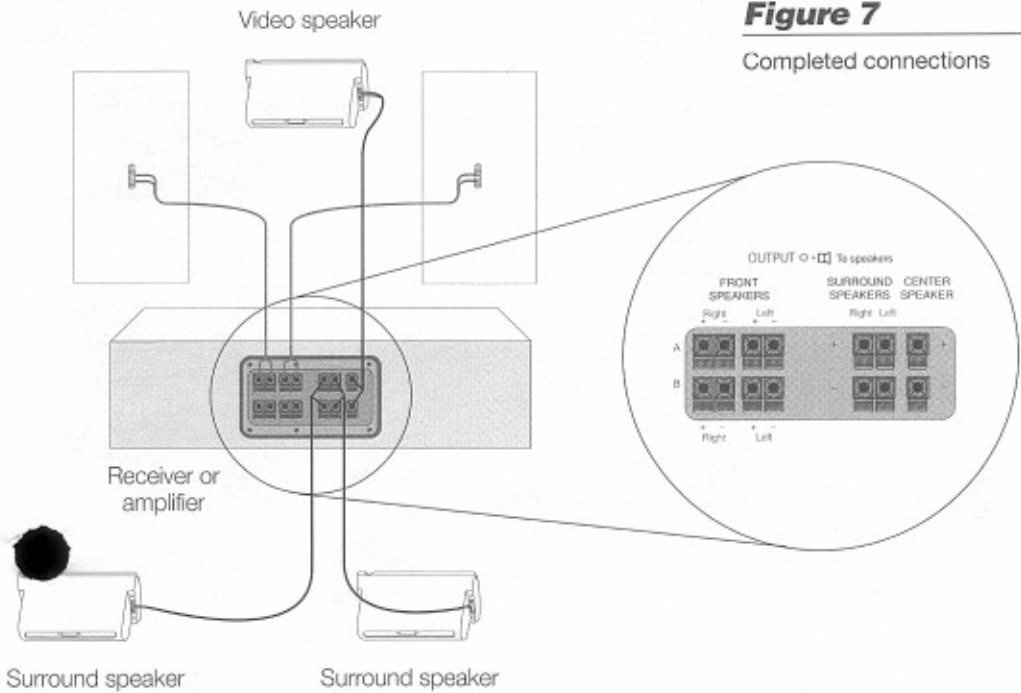


Figure 6

How to make terminal connections

Check the connections

Make sure each connection is made positive to positive (+ to +) and negative to negative (- to -). Check to be sure that no loose strands of wire touch across terminals. Bridged wires can short circuit and damage the electrical components. Tighten any loose connections before you plug in the receiver or amplifier and turn it on.



Use your receiver to vary the sound

To use the video speaker in surround sound mode, be sure to set your receiver to NORMAL (Figure 8). That is important, no matter what brand or model of receiver you own.

Different surround sound receivers select the various speakers and adjust their volume in different ways. Some direct sound to all channels during CD or tape operation, as well as in the video mode. Others allow you to use the center and surround (rear) channels only for video sound.

The owner's guide that came with your specific receiver will explain how to adjust sound coming from the center and surround speakers.



Figure 8

The receiver or amplifier set for NORMAL surround sound mode

Test each speaker

Before testing for proper operation, plug your receiver or amplifier into the AC power (mains) outlet and turn it on.

1. Set your receiver to NORMAL surround sound mode.
2. Refer to your receiver or amplifier owner's guide and follow the test procedure as described for that product.

If there is a problem with the speaker performance, check the connections once more. Review "Connect the speakers" on page 7.

Expand your home theater system

For effective home theater sound, you will place other speakers to the left and right of your video speaker (Figure 9). They connect to the LEFT and RIGHT FRONT SPEAKER channels of your receiver or amplifier. Together with your video speaker, these front speakers deliver the main audio for video performance.

The surround speakers, placed near the rear of your viewing room, deliver special sound effects that bring you the full impact of movies. If you need to add them, they will connect to the LEFT and RIGHT SURROUND SPEAKER channels on your receiver or amplifier.

Bose® offers a selection of speakers well-suited to completing your surround sound setup. These include the Bose Acoustimass®-5, Acoustimass-3, and Model 100 speakers, as well as Bose 201®, 301®, 2.2®, or 4.2® Direct/Reflecting® speakers. See your Bose dealer or contact Bose directly for more information.

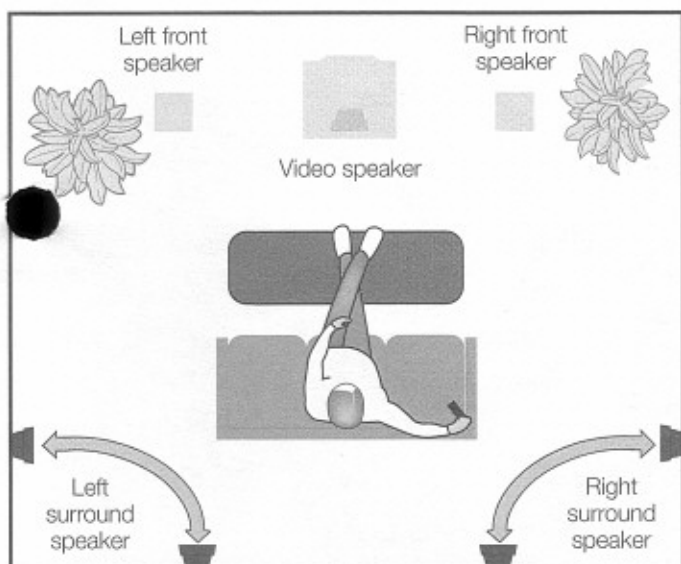


Figure 9

Where to place speakers in a complete surround sound setup

Cleaning speakers

Clean the outside of your Model V-100 or V-300™ speakers by wiping the speaker with a damp cloth. If necessary, use a mild detergent, like dish soap, being careful not to allow any liquid to spill through the grille into the speaker. No other maintenance is required.

Troubleshooting

Problem	What to do
----------------	-------------------

No sound	<ul style="list-style-type: none">• Make sure the amplifier or receiver is plugged in and turned on.• Check the volume control.• Check the mute button. It should not be selected.• Make sure headphones are not connected to the receiver or amplifier.
Video speaker does not work	<ul style="list-style-type: none">• Make sure your receiver or amplifier has an amplified center channel.• Be sure your receiver or amplifier is set properly (refer to page 10).• Check the audio source material to be sure it is encoded for surround sound.• Check the speaker connections. Refer to "Make the connections" on page 8.
Surround speakers do not work	<ul style="list-style-type: none">• Be sure your receiver or amplifier is set properly (refer to page 10).• Check the audio source material to be sure it is encoded for surround sound.• Check the speaker connections. Refer to "Make the connections" on page 8.
Sound is distorted	<ul style="list-style-type: none">• Make sure the speaker cord is not damaged.• Reduce the output level from your TV or other components connected to the receiver or amplifier.

Customer service

If the troubleshooting guidelines above do not solve your problem, contact your authorized Bose® dealer to arrange for service. To obtain information or service directly from Bose, refer to the listing at the end of this guide. Bose Corporation will make every effort to correct any problem within the terms of your warranty.

Warranty period

Bose® Model V-100 and V-300™ speakers are covered by a limited 5-year transferable warranty. Details of the coverage are provided on the warranty card that came with your

speakers. Please fill out the information section on that card, detach, and mail it to Bose®.

Technical information

Features

Syncom® computer quality control
Magnetically shielded video speaker

Driver complement per speaker

One (1) StarDriver™ 4.5" (11.4 cm) full-range driver

Compatibility

Compatible with amplifiers or receivers rated 10-80 watts per channel; rated 4-8 ohm

Enclosure

Gray, molded polymer with a tuned port

Size/Weight

Each speaker: 5 3/4"H x 11"W x 6 1/2"D
(14.6 x 28.0 x 16.5 cm)

Video speaker, unpacked: 3.9 lb (1.77 kg)

Surround speaker, unpacked: 3.2 lb (1.47 kg)

Model V-100 speaker, packed in carton: 4.7 lb (2.13 kg)

V-300 speaker set, packed in carton: 12.5 lb (5.7 kg)

Declaration of Conformity



We, the offerer:

Bose® Corporation, The Mountain
Framingham, MA 01701-9168 USA

acknowledge our sole responsibility, that the product:

Kind of equipment: **Loudspeakers**
Type designation: **Model V-100, V-300**

in accordance with EMC Directive 89/336/EEC and Article 10(1) of the Directive, is in compliance with the following norm(s) or document(s):

Technical regulations: **EN50081-1, EN50082-1**

Accredited by Bose Corporation

August 1995

Bose B.V., Nijverheidstraat 8
1135 GE Edam, The Netherlands

Paul Olean
Paul Olean, General Manager,
Bose B.V., Manufacturer's
authorized EU representative

USA

Bose Corporation, The Mountain
Framingham, MA 01701-9168
1-800-367-4008
Weekdays 9 a.m. to 8 p.m.
Saturdays 9 a.m. to 3 p.m.
ET (eastern time)

Canada

Bose Ltd.
8-35 East Beaver Creek Road
Richmond Hill, Ontario L4B 1B3
1-800-444-BOSE (444-2673)
Weekdays 9 a.m. to 5 p.m.
ET (eastern time)

European Office

Bose B.V., Nijverheidstraat 8
1135 GE Edam, Nederland
TEL 0299-371055
FAX 0299-368163

Australia

Bose Australia, Inc., 1 Sorrell Street
Parramatta, N.S.W. 2150
TEL 02 204-6111
FAX 02 204-6122

Belgique/België

Bose N.V., Limesweg 2, B-3700 Tongeren
TEL 012-390800
FAX 012-390840

Danmark

Bose A/S, Industrivej 7, 2605 Brøndby
TEL 43437777
FAX 43437818

Deutschland

Bose GmbH, Max-Planck-Straße 36d
D-61381 Friedrichsdorf
TEL 06172-71040
FAX 06172-710419

France

Bose S.A., 6, rue Saint Vincent
78100 Saint Germain en Laye
TEL 01 30616363
FAX 01 30614105

India

Bose Corporation India Private Limited
W-16, Greater Kailash-II
New Delhi 110 048
TEL (011) 648 4462
FAX (011) 648 4463

Ireland

Bose Corporation
Carrickmacross, Co Monaghan
TEL 042-61988
FAX 042-61998

Italia

Bose S.p.A., Via Luigi Capucci, 12
00147 Roma
TEL 06-5127641
FAX 06-5115438

Japan

Bose K.K., Shibuya YT Building
28-3 Maruyama-cho
Shibuya-ku, Tokyo 150
TEL 3-5489-1052
FAX 3-5489-0591

Nederland

Bose B.V., Nijverheidstraat 8
1135 GE Edam
TEL 0299-366661
FAX 0299-368166

Norge

Bose A/S, Solheimsgate 11
N-2001, Lillestrøm
TEL 63-817380
FAX 63-810819

Österreich

Bose Ges.m.b.H.
Vienna Business Park
Wienerbergstrasse 7 (10.OG)
A-1100 Vienna
TEL 01-60404340
FAX 01-604043423

Schweiz

Bose A.G., Rünenbergerstrasse 13
4460-Gelterkinden
TEL 061-9815544
FAX 061-9815502

Sverige

Bose A/S, Blandsädsgatan 2D
S-43146 Mölndal
TEL 031-878850
FAX 031-274891

United Kingdom

Bose Limited, Unit G2
Trinity Trading Estate
Sittingbourne, Kent ME10 2PD
TEL 01795-475341
FAX 01795-427227

Other Locations

Bose Service, 1 New York Avenue
Framingham, MA 01701-9168 USA
TEL (508) 229-8484
FAX (508) 229-3891

BOSE
Better sound through research

©1996 Bose Corporation
The Mountain, Framingham, MA
01701-9168 USA JN95447
PN184207-Rev. 01
AM184207-Rev. 01