



---

***Blackhawk***  
***Automotive***™

---

Blackhawk Automotive is a Licensed Trade Mark

Made by ©SFA Companies, Kansas City MO

# Long Chassis Hydraulic Service Jacks

## Operating Instructions & Parts Manual

Model Number	Capacity
BH6010	10 Ton
BH6011 ( <i>Air/Lever Actuated Model</i> )	10 Ton

SFA Companies ©2004  
10939 N. Pomona Ave. Kansas City, MO 64153  
816-891-6390  
sales@blackhawk-automotive.com

-Before using this product, read this manual and follow all its Safety Rules and Operating Instructions

Made in Taiwan

# TABLE OF CONTENTS

Warranty	P2
Save These Instructions	P3
Product Description	P3
Specifications & Safety Instructions	P3
Assembly	P4
Operation	P5
Maintenance	P5
Troubleshooting	P6
Replacement Parts	P6



## ONE YEAR LIMITED WARRANTY

For a period of one (1) year from date of purchase, SFA Companies will repair or replace, at its option, without charge, any of its products which fails due to a defect in material or workmanship, or which fails to conform to any implied warranty not excluded hereby.

Performance of any obligation under this warranty may be obtained by returning the warranted product, freight prepaid, to SFA Companies Warranty Service Department, 10939 N. Pomona Ave., Kansas City, MO 64153.

Except where such limitations and exclusions are specifically prohibited by applicable law.

(1) THE CONSUMER'S SOLE AND EXCLUSIVE REMEDY SHALL BE THE REPAIR OR REPLACEMENT OF DEFECTIVE PRODUCTS AS DESCRIBED ABOVE

(2) SFA COMPANIES SHALL NOT BE LIABLE FOR ANY CONSEQUENTIAL OR INCIDENTAL DAMAGE OR LOSS WHATSOEVER.

(3) THE DURATION OF ANY AND ALL EXPRESSED AND IMPLIED WARRANTIES, INCLUDING WITHOUT LIMITATION, ANY WARRANTIES OF MERCHANTABILITY AND FITNESS FOR A PARTICULAR PURPOSE, IS LIMITED TO A PERIOD OF ONE (1) YEAR FROM DATE OF PURCHASE.

Some states do not allow limitation on how long an implied warranty lasts, so the above limitations may not apply to you. Some states do not allow the exclusion or limitation of incidental or consequential damages, so the above limitation or exclusion may not apply to you. This warranty gives you specific legal rights, and you may also have other rights which vary from state to state.

## SAVE THESE INSTRUCTIONS

For your safety, *read, understand, and follow* the information provided with and on this jack. The owner and operator of this equipment shall have an understanding of this jack and safe operating procedures before attempting to use. The owner and operator shall be aware that use and repair of this product may require special skills and knowledge. Instructions and safety information shall be conveyed in the operator's native language before use of this jack is authorized. If any doubt exists as to the safe and proper use of this jack, remove from service immediately.

**Inspect before each use.** Do not use if there are broken, bent, cracked, or damaged parts (including labels). Any jack that appears damaged in any way, operates abnormally or is missing parts, shall be removed from service immediately. If the jack has been or suspected to have been subjected to a shock load (a load dropped suddenly, unexpectedly upon it), immediately discontinue to use until jack has been inspected by a Blackhawk authorized service center. It is recommended that an annual inspection be done by qualified personnel. Labels and Operator's Manual are available from manufacturer.

## PRODUCT DESCRIPTION

Blackhawk Long Chassis Hydraulic Service Jacks are designed to lift, but not sustaining, up to rated capacity loads. They are designed to be used in conjunction with jack stands. **Intended use:** To lift one wheel or one axle of a vehicle for the purpose of service and/or repair of vehicle components. After lifting, loads must be immediately supported by appropriately rated jack stands. Check with vehicle owner's manual for proper lift points. The air actuated unit requires at least 7.8 CFM @ 90 - 175 PSI.

**DO NOT USE TO DOLLY OR MOVE VEHICLE.**

**DO NOT USE FOR ANY PURPOSE OTHER THAN THOSE USES OUTLINED ABOVE !**

## SPECIFICATIONS

Model	Capacity	Jack Size (L x W x H)	Min. Height	Max. Height
BH6010	10 Ton	54 3/4" x 20" x 12 3/4"	7"	27"
BH6011 (Air)	10 Ton	54 3/4" x 20" x 12 3/4"	7"	27"

## SAFETY INSTRUCTIONS

### BEFORE USE

1. Verify that the product and the application are compatible, if in doubt call Blackhawk Automotive Technical Service (816)891-6390.
2. Read the operator's manual completely and familiarize yourself thoroughly with the product, its components and recognize the potential hazards associated with its use **before** using this product.
3. Secure the handle into the handle sleeve by means of the bolt and lock washer provided. Tighten securely to prevent accidental removal of handle while in use.
4. Locate and turn the handle knob counterclockwise to open the release valve (no more than 2 full turns).
5. With saddle fully lowered, locate and remove the oil filler plug. This will help release any pressurized air which may be trapped within the reservoir. Ensure the oil level is just below the oil filler plug hole.
6. Pump 6 to 8 full strokes. Ensure the oil level is within ~ 3/16" from the inner cylinder as viewed from the oil filler hole.
7. Ensure the jack rolls freely, that the pump and release valve operates smoothly, raises and lowers the unloaded saddle throughout the lift range before putting into service.
8. Replace worn or damaged parts and assemblies with Blackhawk Replacement Parts only. (See Replacement Parts Section). Lubricate as instructed in Maintenance Section.
9. Model BH6011 is fitted to accept the popular 1/4" PT air nipple. When installing 1/4" PT nipple of your choice, ensure that thread tape or compound is used when servicing connections. To help ensure trouble free operation, an inline air dryer and oiler is recommended.

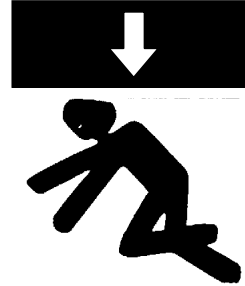
## ⚠ WARNING

- Study, understand, and follow all instructions provided with and on this device before operating this device.
- Do not exceed rated capacity.
- This is a lifting device only.
- After lifting, immediately transfer the load to appropriately rated vehicle stands.
- Never work on, under, or around a load supported by this device.
- Use only on hard, level surfaces capable of sustaining rated capacity loads.
- Do not move or dolly loads with this device.
- Do not modify this device.
- Do not use adapters or accessories that are not provided initially.
- Lift only on areas of the vehicle as specified by the vehicle manufacturer.
- Failure to heed these markings may result in personal injury and/or property damage.

## ⚠ ADVERTENCIA

- Leer, comprender, y seguir las instrucciones antes de utilizar el aparato.
- El manual de instrucciones y la información de seguridad deben estar comunicado en lengua del operador antes del uso.
- No seguir estas indicaciones puede causar daños personales o materiales.

## ⚠ WARNING



To avoid crushing and related injuries: NEVER work on, under or around a load supported only by a jack. ALWAYS use adequately rated jack stands. Immediately transfer the load to appropriate jack stands.

## ASSEMBLY

Little, if any, assembly is required of these jacks. Always secure the handle into the handle sleeve by means of the bolt and lock washer provided. Tighten securely to prevent accidental removal of handle while in use. Familiarize yourself with the illustrations in the operator's manual. Know your jack and how it operates before attempting to use.

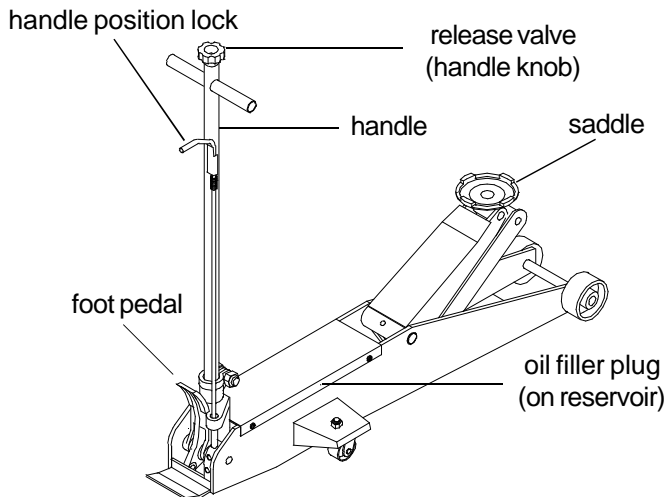


Figure 1 - Model BH6010 Components

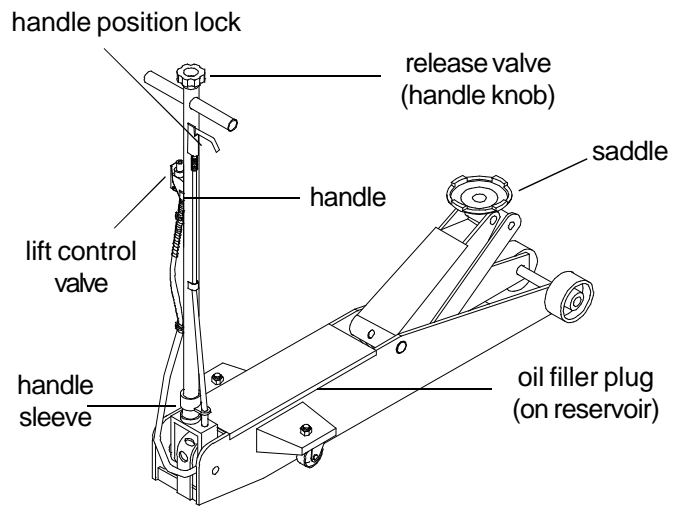


Figure 2 - Model BH6011 Components

## OPERATION

### Lifting

1. Place vehicle in park, with emergency brake on and wheels securely chocked to prevent inadvertent vehicle movement.
2. Locate and close release valve by turning handle knob clockwise firmly. Center jack saddle under lift point.
3. Verify lift point, then use handle pump or foot pedal to contact lift point. To lift, pump handle or squeeze lift control valve until load reaches desired height.

**Note:** Never use foot pedal to raise load.

4. Transfer the load immediately to appropriately rated jack stands.

**Note:** All models are equipped with a handle position lock. To release lock device pull lever up, then back until lever is locked into place. This will allow full range of handle movement.

### Lowering

1. Raise load high enough to clear the jack stands, then carefully remove jack stands (**always** used in pairs).
2. Slowly turn the handle knob counterclockwise, but no more than 1/2 turn. If the load fails to lower:
  - a. Use another jack to raise the vehicle high enough to reinstall jack stands.
  - b. Remove the affected jack and then the stands.
  - c. Using the other jack, lower the load by turning the operating handle counterclockwise, but no more than 1/2 turn.
3. After removing jack from under the load, push saddle down to reduce ram exposure to rust and contamination.

## MAINTENANCE

**Important:** Use only a good grade hydraulic jack oil. Avoid mixing different types of fluid and **Never** use brake fluid, turbine oil, transmission fluid, motor oil or glycerin. Improper fluid can cause failure of the jack and the potential for sudden and immediate loss of load. We recommend Hein-Werner hydraulic jack oil HW 93291 or equivalent.

### Adding oil

1. With saddle fully lowered, set jack in its upright, level position. Locate and remove oil filler plug.
2. Fill with oil until ~3/16" above the inner cylinder as seen from the oil filler plug hole. Reinstall the oil filler plug.

### Changing oil

For best performance, replace the complete fluid supply at least once per year.

1. With saddle fully lowered, remove the oil filler plug.
2. Lay the jack on its side and drain the fluid into a suitable container.

**Note:** Dispose of hydraulic fluid in accordance with local regulations.

3. Fill with oil until ~3/16" above the inner cylinder as seen from the oil filler plug hole. Reinstall the oil filler plug.

### Lubrication

A periodic coating of light lubricating oil to pivot points, axles and hinges will help to prevent rust and assure that wheels, casters and pump assemblies move freely. To help ensure trouble free operation, an inline air dryer and oiler is recommended.

### Cleaning

Periodically check the pump piston and ram for signs of rust or corrosion. Clean as needed and wipe with an oily cloth.

**Note:** Never use sandpaper or abrasive material on these surfaces !

### Storage

When not in use, store the jack with saddle fully lowered.

## TROUBLESHOOTING

Symptom	Possible Causes	Corrective Action
Jack will not lift load	<ul style="list-style-type: none"> <li>• Release valve not tightly closed</li> <li>• Overload condition</li> <li>• Air supply inadequate (Apply to Model BH6011)</li> </ul>	<ul style="list-style-type: none"> <li>• Ensure release valve tightly closed</li> <li>• Remedy overload condition</li> <li>• Ensure adequate air supply</li> </ul>
Jack will lift, but not maintain pressure	<ul style="list-style-type: none"> <li>• Release valve not tightly closed</li> <li>• Overload condition</li> <li>• Hydraulic unit malfunction</li> </ul>	<ul style="list-style-type: none"> <li>• Ensure release valve tightly closed</li> <li>• Remedy overload condition</li> <li>• Contact Blackhawk Tech. Service</li> </ul>
Jack will not lower after unloading	<ul style="list-style-type: none"> <li>• Reservoir overfilled</li> </ul>	<ul style="list-style-type: none"> <li>• Ensure load is removed, then drain fluid to proper level</li> </ul>
Poor lift performance	<ul style="list-style-type: none"> <li>• Fluid level low</li> <li>• Air trapped in system</li> </ul>	<ul style="list-style-type: none"> <li>• Ensure proper fluid level</li> <li>• With ram fully retracted, remove oil filler plug to let pressurized air escape, then reinstall oil filler plug</li> </ul>
Will not lift to full extension	<ul style="list-style-type: none"> <li>• Fluid level low</li> </ul>	<ul style="list-style-type: none"> <li>• Ensure proper fluid level</li> </ul>

## REPLACEMENT PARTS

**Available Parts:** Please refer to the Parts drawing when ordering parts. Not all components of the jack are replacement items, but are illustrated as a convenient reference of location and position in the assembly sequence. When ordering parts, give Model number, serial number and description on page 7. Call or write for current pricing: SFA Companies 10939 N. Pomona Ave. Kansas City, MO 64153, U.S.A. Tel:(816)891-6390 Fax:(816)891-6599 E-Mail: sales@blackhawk-automotive.com

Models BH 6010 and BH6011

Item #	Part #	Description	Qty.
1	324-4-1900-208	Oil Filler Screw	1
2	G10-3-1309-106	Piston Link	1
3	G24-3-1700-100	Flex Joint Assembly	1
4*	A2706-00	Air Motor Kit (includes item 5, 6, and 7)	1
5*	A27-3-2000-104	Air Motor	1
6*	507-9-0064-013	Air Hose	1
7*	A27-3-2050-109	Lift Control Valve	1
8	500-1-1500-309	Front Wheel	2
9	G10-6-4201-109	Saddle	1
10	521-2-0370-104	Return Spring	1
11	G10-1-2000-109	Power Unit (without Air Motor)	1
11A*	G10-1-1000-104	Power Unit (with Air Motor)	1
12	473-4-5000-103	Rear Caster Assembly	2
13	521-2-0220-077	Foot Pedal Return Spring	1
14	G10-3-2000-101	Handle Assembly	1
15	421-3-9004-101	Foot Pedal	1
-	BH6010-L0, BH6011-L0	Label(s) (not shown)	1
-	BH6010-M0	Operator's Manual (not shown)	1

\*AVAILABLE FOR MODEL BH6011 ONLY

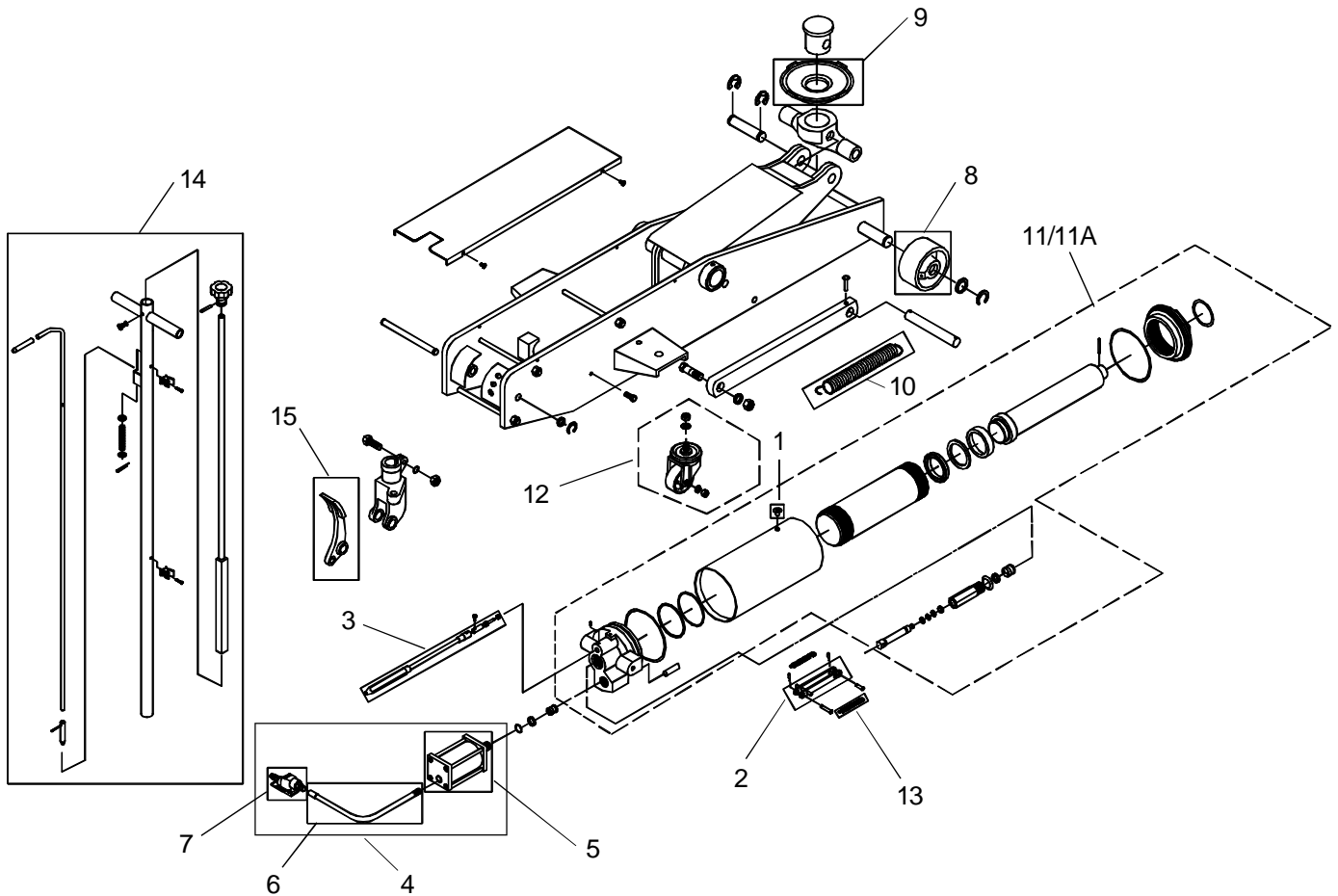


Figure 3 - Replacement Parts Illustration for Model BH6010 and BH6011

