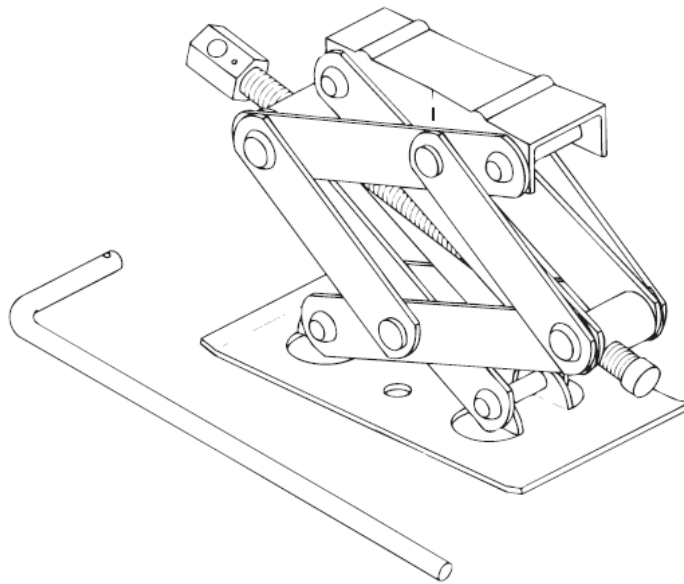




**ATD-7462**  
**2 Ton (4,000 Lbs.)**  
**Scissors Jack**



**Instruction Manual**

**CAUTION:** Before using this product, read this manual and follow all Safety Rules and Operational Instructions.

## **Owner and/or Operator Responsibility**

The owner and/or operator shall study the product instructions and retain them for future reference.

## **Operation**

The owner and/or operator shall have an understanding of the product, its operating characteristics, and safety operating instructions before operating the ATD-7462 jack. Safety information shall be emphasized and understood. If the operator is not fluent in English, the product and safety instructions shall be read to and discussed with the operator in the operator's native language by the purchaser/owner or his designee, making sure that the operator comprehends their contents.

## **Maintenance**

The ATD-7462 jack shall be maintained in accordance with the product instruction.

1. When jack is not in use, lifting arm should be in full down position.
2. Always keep jack clean and keep the screw and bearings well lubricated.
3. Keep moving parts clean; lubricate moving parts every 3 months.

## **Inspection**

(a) Visual inspection shall be made before each use of the ATD-7462 jack by checking for abnormal conditions, such as cracked welds, and/or damaged, loose, or missing parts.

(b) Other inspections shall be made per product operating instructions.

(c) Each ATD-7462 jack shall be inspected immediately if the device is believed to have been subjected to an abnormal load or shock. It is recommended that this inspection be made by a qualified technician.

(d) Owners and/or operators should be aware that repair of the ATD-7462 jack is not possible. It is recommended that an annual inspection of the ATD-7462 jack be made by a qualified technician and that in the case of any defective parts, decals, or safety labels or signs, the ATD-7462 be replaced.

## **Damaged Equipment**

Any ATD-7462 jack that appears to be damaged in any way, is found to be worn or operates abnormally SHALL BE REMOVED FROM SERVICE AND REPLACED.

## **Alterations**

Because of potential hazards associated with this type of equipment, no alterations shall be made to the ATD-7462 jack.

## **Attachments and Adaptors**

Do not use attachments and/or adaptors. None are supplied by the manufacturer. Use of any attachments or adaptors with the ATD-7462 jack is extremely dangerous and could result in personal injury or death.



## **Safety Markings**

- (a) Study, understand, and follow all instructions before operating this device.
- (b) Do not exceed rated capacity.
- (c) Use only on hard level surface.
- (d) Use only for emergency tire changing or mounting tire chains.
- (e) Never get beneath the vehicle when it is supported by the jack.
- (f) If vehicle is pushed off of jack, discard jack. Do not reuse.
- (g) Failure to heed these markings may result in personal injury and / or property damage.

## **Safety Messages**

- (a) Activate the hazard warning flasher, turn off ignition, set parking brake, move automatic shift selector to park position. In case of a manual transmission, move gear selector into reverse position. In addition, the wheel diagonally opposite from the wheel that is being lifted shall be chocked in both directions.
- (b) Place jack only at points of the vehicle as specified by the vehicle manufacturer.
- (c) Follow tire changing procedure or tire chain mounting procedure as specified in the vehicle manufacturer's owner's manual.
- (d) No alterations shall be made to this product.

## **Instructions For Use**

1. Insert the jack handle into the hole of the handle socket.
2. Make sure that the saddle is correctly positioned. To prevent damage to the jack, do not move the jack while the handle is intact in the socket.
3. To raise load, use one hand to hold the front part of the handle, and use the other hand to turn slowly at the rear end of the handle clockwise.
4. To lower load, use one hand to hold the front part of the handle, and use the other hand to turn slowly at the rear end of the handle counterclockwise.

## One Year Limited Warranty

The ATD-7465 jack has a one year warranty on it limited to replacement at the point of sale for a period of one (1) year from date of purchase, without charge, any unit that fails due to a defect in material or workmanship under normal usage. This limited warranty is a consumer's exclusive remedy. Except where such limitations and exclusions are specifically prohibited by applicable law.

(1) THE CONSUMER'S SOLE AND EXCLUSIVE REMEDY SHALL BE THE REPLACEMENT OF DEFECTIVE PRODUCTS AS DESCRIBED ABOVE.

(2) ATD Tools Inc. SHALL NOT BE LIABLE FOR ANY CONSEQUENTIAL OR INCIDENTAL DAMAGE OR LOSS WHATSOEVER.

(3) ANY IMPLIED WARRANTIES, INCLUDING WITHOUT LIMITATION THE IMPLIED WARRANTIES OF MERCHANTABILITY AND FITNESS FOR A PARTICULAR PURPOSE, SHALL BE LIMITED TO ONE YEAR. OTHERWISE THE REPLACEMENT OR REFUND AS PROVIDED UNDER THIS EXPRESS LIMITED WARRANTY IS THE EXCLUSIVE REMEDY OF THE CONSUMER, AND IS PROVIDED IN LIEU OF ALL OTHER WARRANTIES, EXPRESSED OR IMPLIED.

(4) ANY MODIFICATION, ALTERATION, ABUSE, UNAUTHORIZED SERVICE OR ORNAMENTAL DESIGN VOIDS THIS WARRANTY AND IS NOT COVERED BY THIS WARRANTY.

Some states do not allow limitations on how long an implied warranty lasts, so the above limitation may not apply to you. Some states do not allow the exclusion or limitation of incidental or consequential damages, so the above limitation or exclusion may not apply to you. This warranty gives you specific legal rights, and you may also have other rights which vary from state to state.