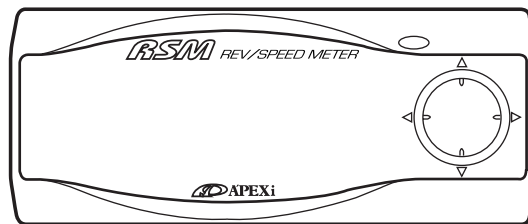


# **RSM** *REV/SPEED METER*

## **REV/SPEED METER** *Vehicle Specific Wiring Diagram*



**This wiring diagram booklet is designed for use with the REV SPEED METER 405-A912/405-A916.**

**Please be sure to read the instruction manual for the REV SPEED METER before performing installation.**

**The REV SPEED METER requires both the Instruction Manual and the Wiring Diagram for proper**

**Even though a vehicle is listed in this manual, there is a possibility that the unit will not operate properly due to modifications on the vehicle, special model differences, model changes, or other factors.**

**This manual is accurate up until Mar. 2008.**

**Please contact an Apex dealer for newer applications.**

---

** APEXi®**



## Table of Contents

To begin	4
Installation Precautions	5
ECU Location Diagram	6
How to View the ECU Diagrams	7
Installation Diagram Selection Tak	8
Connection Diagram (1)(2)	10
Connection Diagram (3)(4)	11
Connection Diagram (5)(6)	12
<b>TOYOTA</b>	
Application Chart	13
ECU Diagram	20
<b>NISSAN</b>	
Application Chart	24
ECU Diagram	28
<b>HONDA</b>	
Application Chart	30
ECU Diagram	33
<b>MITSUBISHI</b>	
Application Chart	35
ECU Diagram	37
<b>MAZDA</b>	
Application Chart	38
ECU Diagram	40
<b>SUBARU</b>	
Application Chart	42
ECU Diagram	44
<b>SUZUKI</b>	
Application Chart	46
ECU Diagram	47
<b>ISUZU</b>	
Application Chart	48
ECU Diagram	49
Manual Information	
Contact Information	

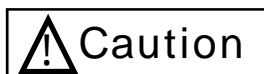
---

## *To Begin*

Please read the safety precautions in the Instruction Manual before proceeding with installation.

Glossary of Safety Terms are outlined in the Instruction Manual

In this manual, the Electronic Control Unit is called the ECU.



*Installation of this unit should ONLY be performed by a trained professional.*

Please hand this Wiring Manual and Instruction Manual to the Installer.

*Never pull hard on any vehicle or product harnesses.*

Failure to do so may lead to electrical shorts and faulty connections.

*Be sure that all connectors have been securely locked into place.*

*Also, be sure to loosen any bolts that secure the connector when removing.*

Failure to do so may cause damage to the connector.

*Keep the vehicle and product harnesses away from high temperatures and moving parts. Also, keep the harness away from water.*

Failure to do so may result in electrical shorts and faulty operation.

*Keep all harnesses away from sharp objects. Do not put excessive strain on the harness.*

Failure to do so may lead to electrical shorts.

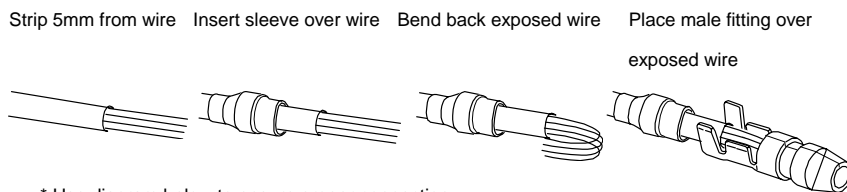


## Installation Precautions

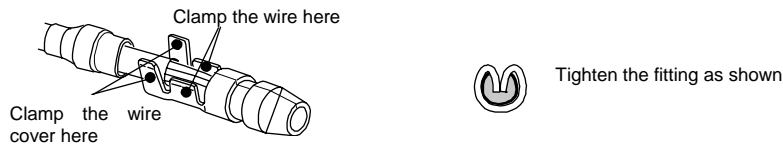
Do not use electro taps in the installation of this product.  
Electro taps can become loose over time causing the unit to malfunction. This can also lead to vehicle and product damage.  
Be sure to use wire crimpers and the included splices for a secure connection.

Be sure that the harness is not exposed to metal.  
Always wrap all connections with electrical tape.

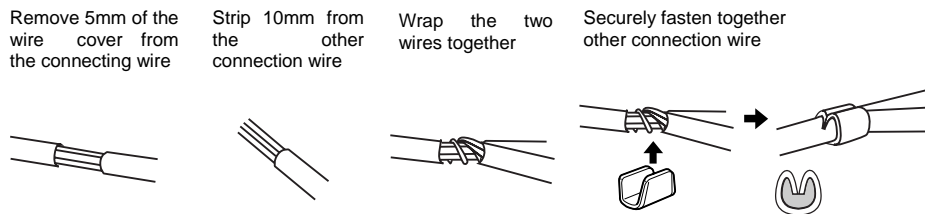
### How to use the Fittings



\* Use diagram below to ensure proper connection

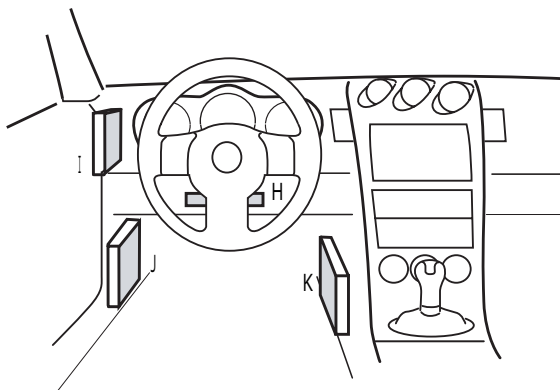
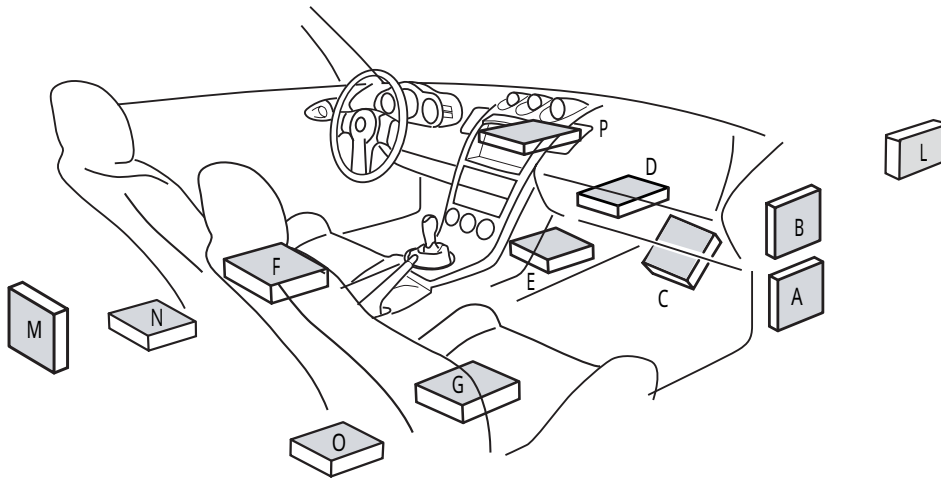


### How to use the Splices



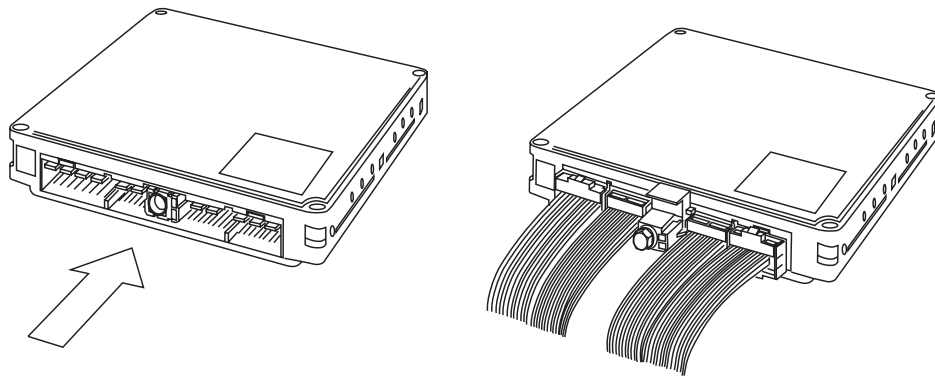
## ECU Arrangement Diagram

Perform installation by referring to the symbols in the corresponding columns of the tables of applicable models on and after page 10



- A : Lower part of the passenger seat dash side
- B : Right side of the glove box
- C : Foot position of the passenger seat
- D : Inner part of the glove box
- E : Inner part of the center console
- F : Under the driver's seat
- G : Under the passenger seat
- H : Near the steering column
- I : Left side of the meter panel
- J : Lower part of the driver's seat dash side
- K : Left side of the center console
- L : Engine room
- M : Before the rear trunk
- N : Behind after the driver's seat
- O : Behind the passenger seat
- P : Upper inner part of the center console

## How to Refer to the ECU Terminal Arrangement Diagram



This ECU terminal arrangement diagram is viewed from the direction of the arrow.

The direction of the ECU varies depending upon the vehicle. Perform the installation work after confirming the connector shape and the number of pins.

### Warning

If any abnormal noise or abnormal smell is sensed during the installation work of this product, stop the work immediately and contact the distributor or your nearest A PEX business office

Continuing the installation under such conditions may cause an electric shock or fire causing damage to electric devices.

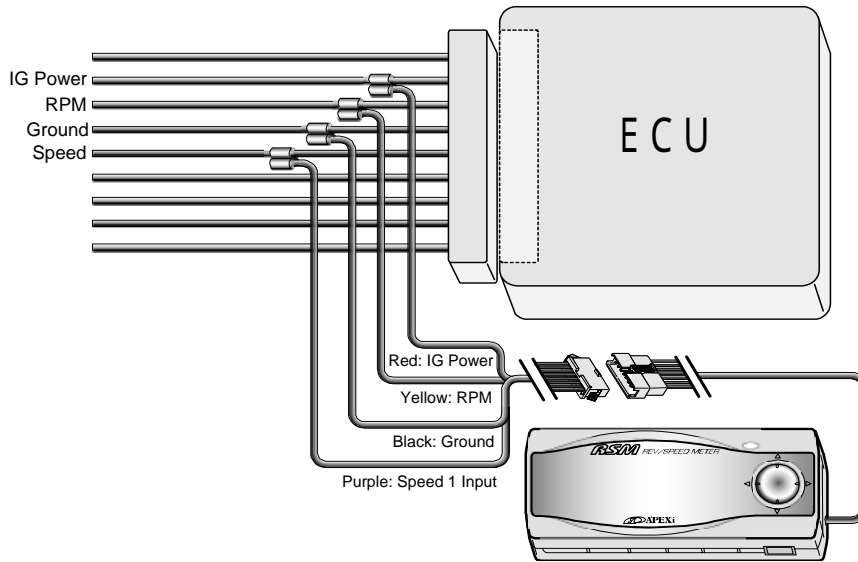
## *Installation Diagram Selection Table*

**Vehicles not listed below will use Connection Diagram (1) or (2).**

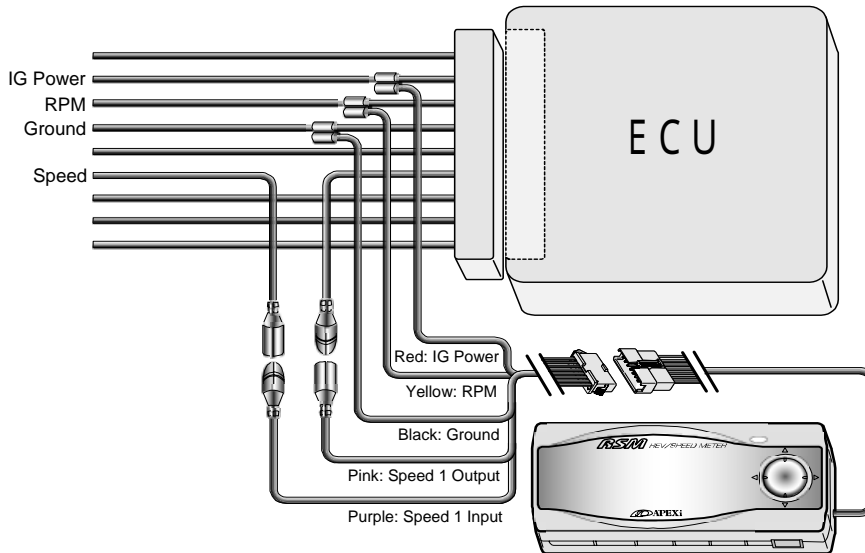
HONDA					Speed Limiter	
Name	Type	Engine	Year	Notes	CUT	RETAIN
S2000	AP1	F20C	'99.4~'05.10		3	1
Torneo	CF4	F20B	'97.9~'00.5	A / T	4	1
	CF3	F18B				
Accord	CF4	F20B	'97.9~'00.5	A / T	4	1
	CF3	F18B				
Accord Wagon	CF7 CF6	F23A	'97.10~'02.10		4	1
Odyssey	RA7 RA6	F23A	'99.12~'03.9		4	1
	RA4 RA3		'97.10~'99.11			
Fit	GD4 GD3	L15A	'02.9~'07.9		4	1
	GD2	L13A	'01.7~'07.9			
	GD1		'01.6~'07.9			
Fit Aria	GD9 GD8	L15A	'02.12~		4	1
	GD7 GD6	L13A	02.12~'05.9			

**When connecting the IG Power, Engine RPM, Ground, Vehicle Speed signal wires to the ECU, be sure to check the Connection Diagram (1)-(4) for proper connection. Also check P16 for vehicle specific information.**

*Connection Diagram (1) When NOT Cutting Speed Limiter*

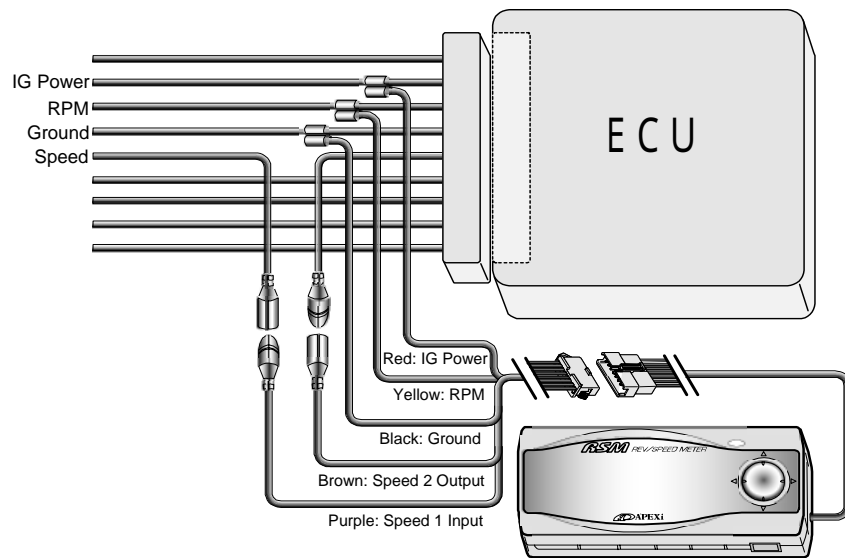


*Connection Diagram (2) When Cutting Speed Limiter*

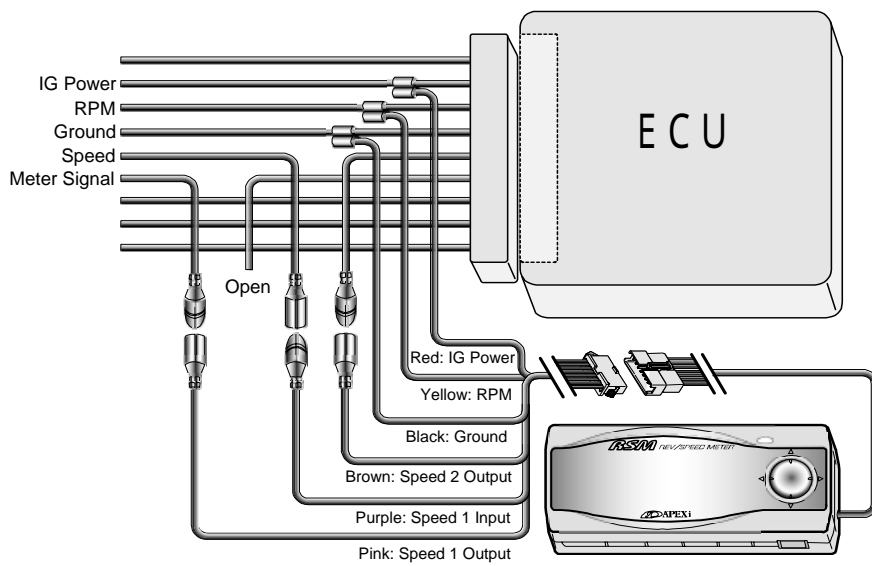




### Connection Diagram (3)



### Connection Diagram (4)



### Application Chart (TOYOTA)

Name	Type	Engine	Year	ECU	Notes	Diagram	
Soarer	JZZ30	1JZ - GTE	'96.8 ~ '01.3	C	M / T	T8 - c	
			'91.5 ~ '96.7		M / T	T8 - a	
	MZ20	7M - GTE	'89.1 ~ '91.4	D		T5 - a	
			'86.1 ~ '88.12			T2 - a	
	GZ20	1G - GTE 1G - GE	'89.1 ~ '91.4			T5 - a	
			'86.1 ~ '88.12			T2 - a	
Mark II/ Chaser/ Cresta	JZX100 ( 5 )	1JZ - GTE	'96.9 ~ '01.7		E	M / T	T8 - c
	JZX90	1JZ - GTE	'94.9 ~ '96.8			M / T	T8 - b
		1JZ - GTE	'92.10 ~ '94.8	M / T			
		1JZ - GE	'92.10 ~ '96.8	M / T		T6 - a	
	JZX81	1JZ - GTE 1JZ - GE	'90.8 ~ '92.9	D	M / T	T6 - a	
	GX81	1G - GTE 1G - GE	'88.8 ~ '92.9		M / T	T5 - a	

5: JZX 100 : For Mark ,incompatible up to model year 00.9

Name	Type	Engine	Year	ECU	Notes	Diagram
Supra	JZA80	2JZ - GTE	'97.8 ~ '02.8	C	M / T	T10 - a
			'93.5 ~ '97.7		M / T	T7 - a
		2JZ - GE	'93.5 ~ '97.7		M / T	
	JZA70	1JZ - GTE	'90.8 ~ '93.4	D		T6 - a
	MA70	7M - GTE	'88.9 ~ '90.7			T5 - a
			'86.2 ~ '88.8			T2 - a
			'88.8		Turbo A	
	GA70	1G - GTE 1G - GE	'88.9 ~ '93.4			
'86.2 ~ '88.8				T2 - a		
Altezza	SXE10	3S - GE	'98.10 ~ '05.7	L	M / T	T9 - b
MR-S	ZZW30	1ZZ - FE	'99.10 ~ '07.1	O	Includes Sequential	T9 - a
MR2	SW20	3S - GTE	'93.10 ~ '99.10	M		T5 - a
			'97.12 ~ '99.10		M / T	T9 - a
		3S - GE	'93.10 ~ '97.11			T6 - a
			'89.10 ~ '93.9			T5 - a
	AW11	4A - GZE	'86.8 ~ '89.9			T2 - a
			'84.6 ~ '89.9			T1 - a
Celica	ZZT230	1ZZ - FE	'99.9 ~ '06.4	E		T9 - a
	ST205	3S - GTE	'94.2 ~ '99.8			T5 - a
	ST203 ST202	3S - GE	'97.12 ~ '99.8			T9 - a
			'93.10 ~ '97.11			T6 - a
		3S - FE	'96.6 ~ '99.8		M / T	T4 - b
			'95.8 ~ '96.5		A / T	T5 - d
			'93.10 ~ '95.7		M / T	T4 - a
	ST185	3S - GTE	'89.10 ~ '93.9			T5 - a
	ST182	3S - GE				
	ST165	3S - GTE	'85.8 ~ '89.9			T2 - a
	ST162	3S - GE				

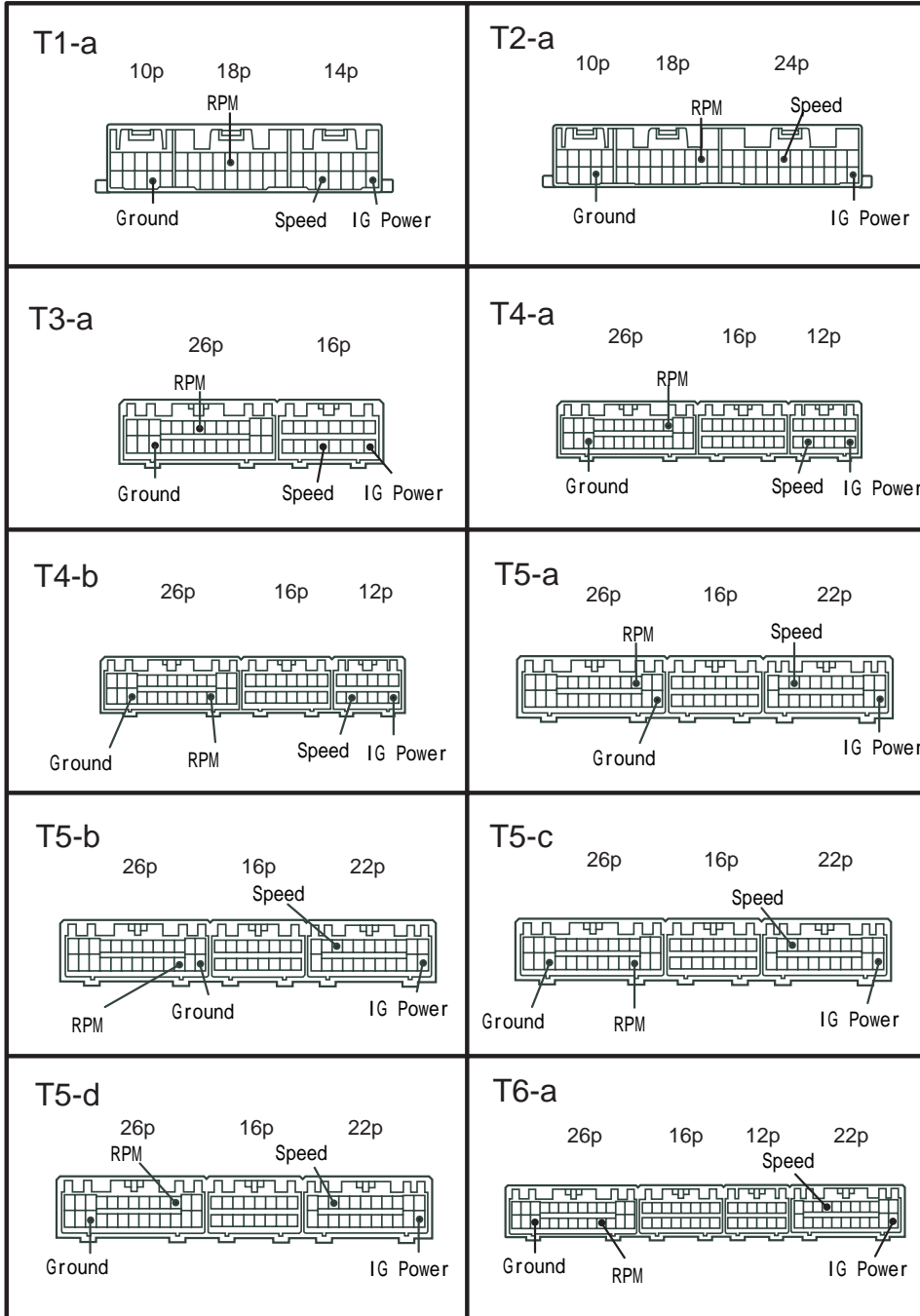
Name	Type	Engine	Year	ECU	Notes	Diagram
Curren	ST207 ST206	3S - GE	'94.1 ~ '98.7	E		T6 - a
		3S - FE	'96.6 ~ '98.7		M / T	T4 - b
			'95.10 ~ '96.5		A / T	T5 - c
			'94.1 ~ '95.9		M / T	T4 - a
			A/T•w/ TRC		T6 - a	
			A/T•w/o TRC		T5 - a	
		w/TRC	T6 - a			
w/o TRC	T5 - a					
Carina ED Corona EXIV	ST203 ST202	3S - GE	'93.10 ~ '98.12	E		T6 - a
		3S - FE	'96.6 ~ '98.12		M / T	T4 - b
			'95.8 ~ '96.5		A / T	T5 - c
			'93.10 ~ '95.7		M / T	T4 - a
			A/T•w/ TRC		T6 - a	
			A/T•w/o TRC		T5 - a	
		w/ TRC	T6 - a			
w/o TRC	T5 - a					
Caldina	ST215W	3S - GTE	'97.8 ~ '02.8	D		T9 - a
	ST215G	3S - GE				
	ST21#G	3S - FE				
	ST195G	3S - GE	'95.2 ~ '97.7			T5 - b
	ST195G ST191G	3S - FE	'96.1 ~ '97.7			T6 - a
			'94.2 ~ '95.12		M / T	T4 - b
			'92.11 ~ '94.1		2WD • A / T	T5 - d
					4WD • A / T	T5 - c
					2WD • w/ TRC	T6 - a
					2WD • w/o TRC	T5 - a
					4WD • M / T	T4 - a
	ST190G	4S - FE	'92.11 ~ '95.12		4WD • A / T	T5 - a
					2WD • A / T	T6 - a
					4WD • M / T	T4 - a
4WD • A / T				T5 - a		
			M / T	T4 - a		
			A / T	T5 - a		

Name	Type	Engine	Year	ECU	Notes	Diagram
Corolla FX	AE101	4A - GE	'92.5 ~ '95.4	E	M / T	T4 - a
		4A - FE			A / T	T5 - a
	AE92	4A - GE	'89.5 ~ '92.4			T4 - a
			'87.5 ~ '89.4			T1 - a
Corolla Sprinter	AE111	4A - GE	'97.4 ~ '00.9	E		T5 - a
		4A - FE	'95.5 ~ '97.3			T4 - a
	AE110	5A - FE	'95.5 ~ '00.9			
	AE101	4A - GE	'91.6 ~ '95.4		M / T	
		4A - FE			A / T	T5 - a
	AE92	4A - GE	'89.5 ~ '91.5			T4 - a
'87.5 ~ '89.4				T1 - a		
Corolla Levin Sprinter Trueno	AE111	4A - GE	'95.5 ~ '00.9	E		T5 - a
		4A - FE				T4 - a
	AE110	5A - FE				T4 - a
	AE101	4A - GZE	'91.6 ~ '95.4			T5 - a
		4A - GE			M / T	T4 - a
	4A - FE		A / T		T5 - a	
		AE92	4A - GZE		'89.5 ~ '91.5	
	'87.5 ~ '89.4					
	4A - GE		'89.5 ~ '91.5			T4 - a
		'87.5 ~ '89.4			T1 - a	
AE86	4A - GEU	'83.5 ~ '87.4	A			
Corolla Celes Sprinter Marino	AE101	4A - GE	'92.5 ~ '95.4	E	M / T	T4 - a
		4A - FE			A / T	T5 - a
Starlet	EP91	4E - FTE	'96.1 ~ '99.7	D		T4 - a
		4E - FE	'96.1 ~ '97.12			T3 - a
	EP82	4E - FTE	'89.12 ~ '95.12	E	M / T	
			'92.1 ~ '95.12		A / T	T4 - a
	4E - FE	'89.12 ~ '95.12			T3 - a	
		EP71	2E - TE		'86.1 ~ '89.11	
2E - E						

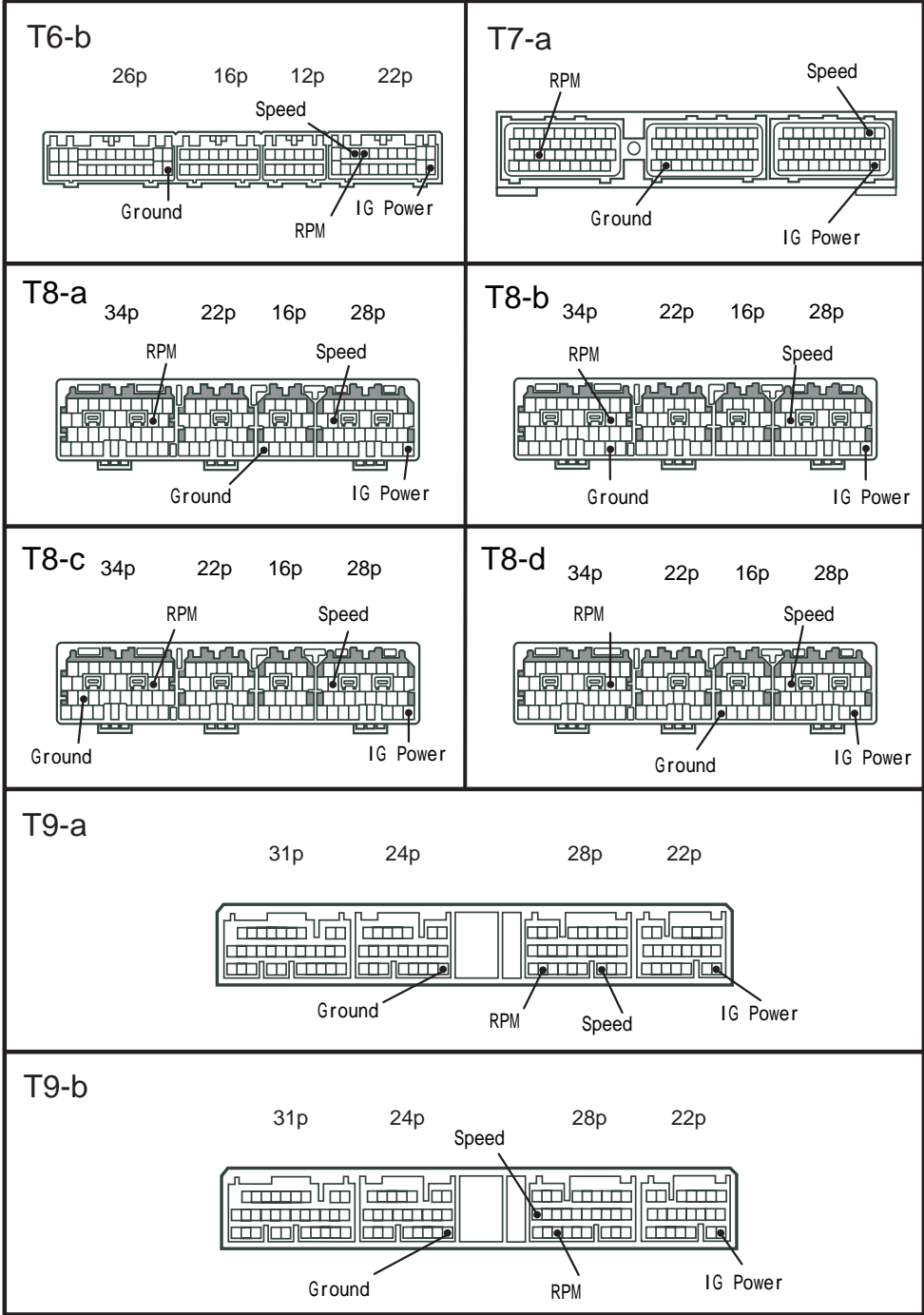
Name	Type	Engine	Year	ECU	Notes	Diagram
RAV4	ACA2#W	1AZ - FSE	'00.5 ~ '05.10	D		T10 - b
	ZCA26W ZCA25W	1ZZ - FE				T9 - a
	SXA1#G	3S - FE	'97.9 ~ '00.4	E	M / T	T4 - b
	SXA11W	3S - GE			A / T	T5 - c
	SXA10W		'96.8 ~ '00.4			T5 - a
	SXA11G	3S - FE	'95.4 ~ '97.8		M / T	T4 - a
	SXA10G		'94.5 ~ '97.8		A / T	T5 - a
					M / T	T4 - a
					A / T	T5 - a
Vitz	NCP13	1NZ - FE	'02.12 ~ '05.2	D		T11 - a
	NCP15 NCP10	2NZ - FE				
	SCP10	1SZ - FE				
	NCP13	1NZ - FE	'99.8 ~ '02.11			T6 - b
	NCP15 NCP10	2NZ - FE				
	SCP10	1SZ - FE			'99.1 ~ '02.11	
Fun Cargo	NCP25 NCP21	1NZ - FE	'99.8 ~ '05.9	P	Not Including models installed with Steermatic	T6 - b
	NCP20	2NZ - FE				
bB	NCP30	2NZ - FE	'02.8 ~ '05.11	D		T11 - a
	NCP35 NCP31	1NZ - FE				
	NCP34		'02.8 ~ '03.3			T6 - b
	NCP30	2NZ - FE				
	NCP35 NCP31	1NZ - FE	'00.2 ~ '02.7			
	NCP34		'01.6 ~ '02.7			
OPA	ZCT1#	1ZZ - FE	'00.8 ~ '02.5	D		T9 - a
Estima	MCR#0W	1MZ - FE	'00.1 ~ '03.4	D		T10 - c
Mark II Qualis	MCV20W	1MZ - FE	'97.5 ~ '99.7	E		T8 - d

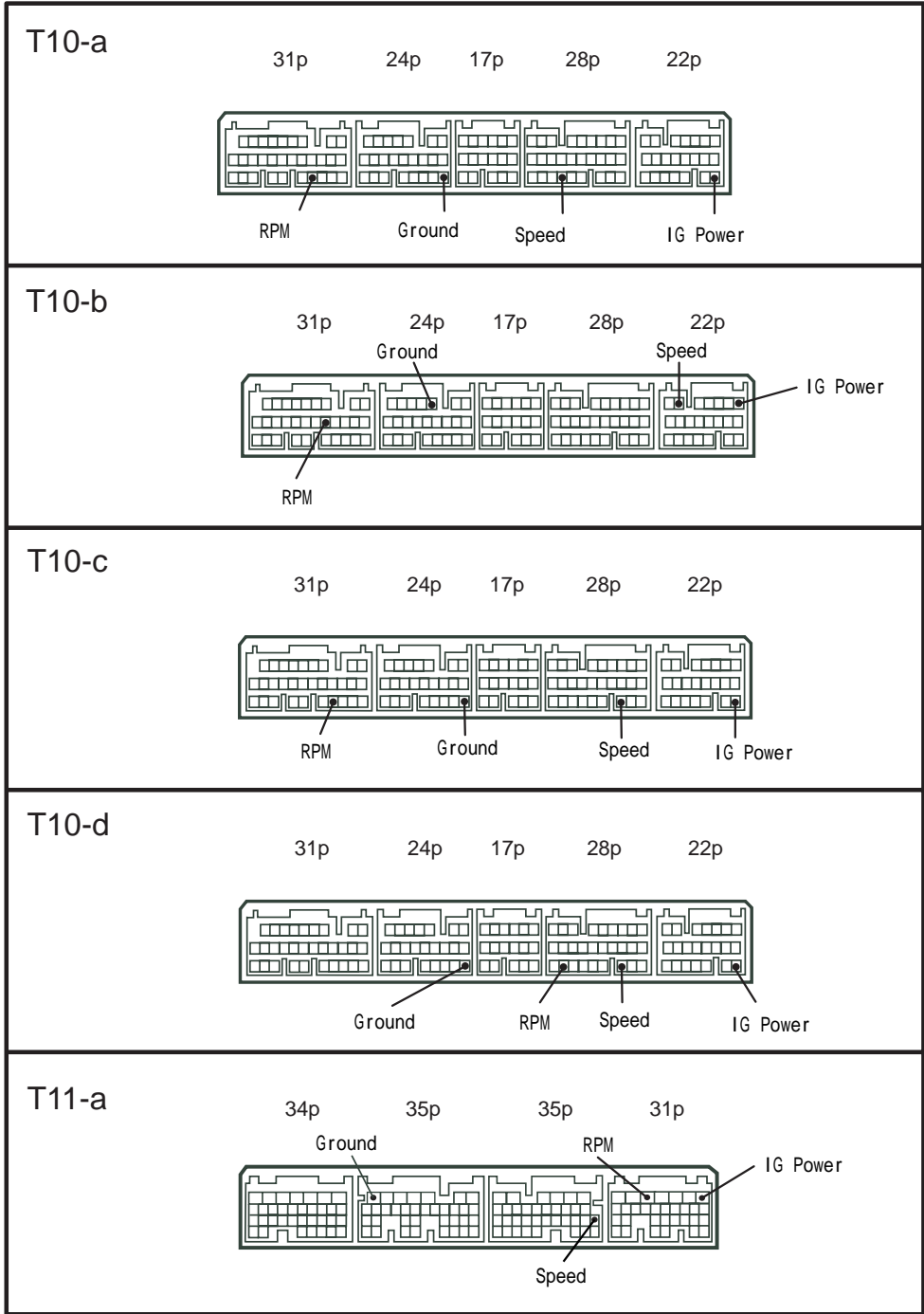
Name	Type	Engine	Year	ECU	Notes	Diagram
Platz	NCP16	2NZ - FE	'02.8 ~ '05.10	E		T11 - a
	NCP12	1NZ - FE				
	SCP11	1SZ - FE				
	NCP16	2NZ - FE	'99.8 ~ '02.7			T6 - b
	NCP12	1NZ - FE				
	SCP11	1SZ - FE				
Corolla	ZZE12#	1ZZ - FE	'02.9 ~ '06.10	D		T11 - a
	NZE124 NZE121	1NZ - FE				
	ZZE12#	1ZZ - FE	'00.8 ~ '02.8			T9 - a
	NZE124 NZE121	1NZ - FE				T6 - b
Corolla Felder	ZZE123G	2ZZ - GE	'02.9 ~ '06.10	D		T10 - d
	ZZE122G	1ZZ - FE			M / T	T9 - a
	NZE124G NZE121G	1NZ - FE			A / T	T11 - a
	ZZE123G	2ZZ - GE	'00.8 ~ '02.8			T10 - d
	ZZE122G	1ZZ - FE				T9 - a
	NZE124G NZE121G	1NZ - FE				T6 - b
ist	NCP61	1NZ - FE	'02.5 ~ '07.6	D		T11 - a
	NCP60	2NZ - FE				

*ECU Diagram (TOYOTA)*









## Application Chart (NISSAN)

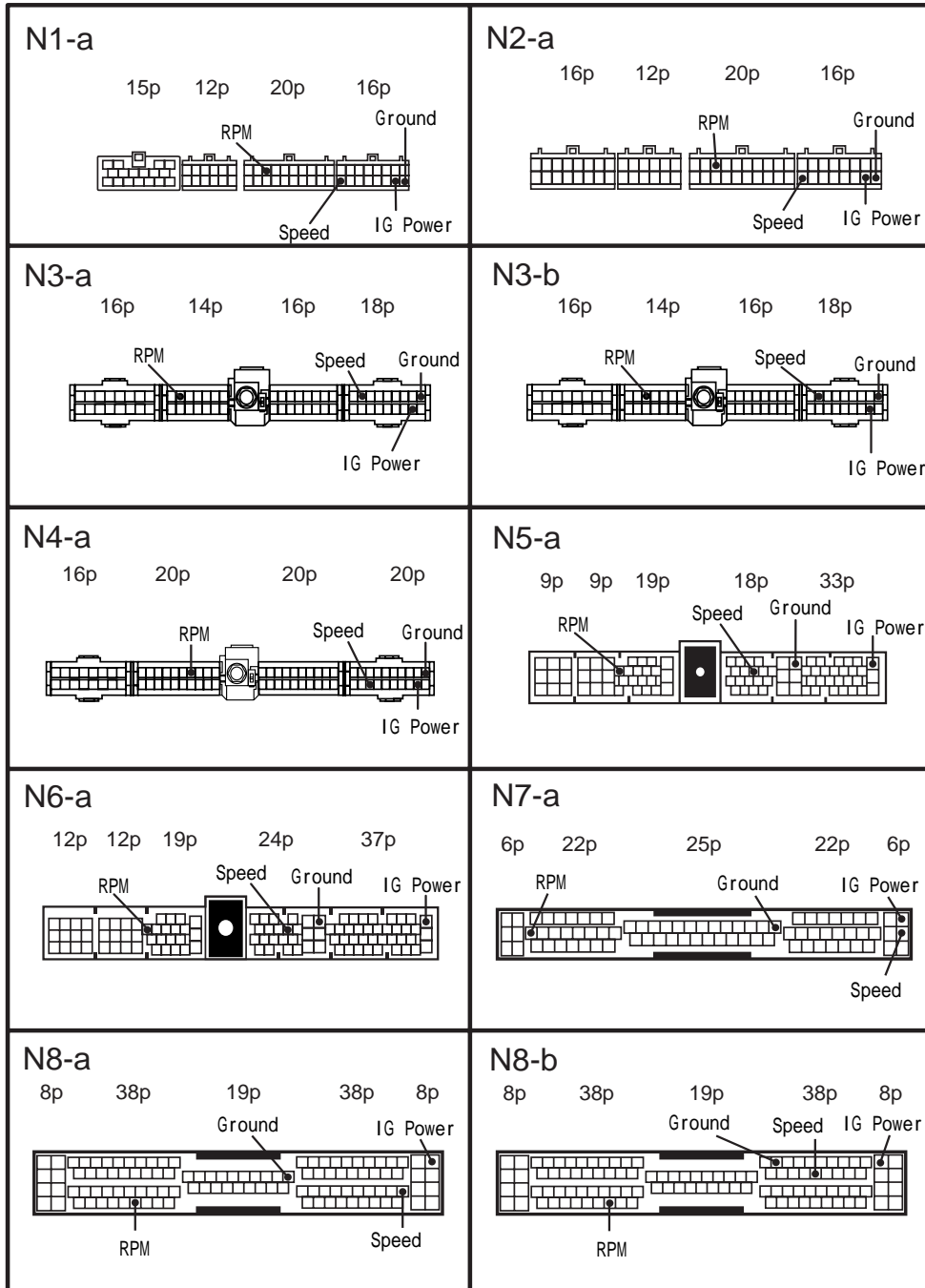
Name	Type	Engine	Year	ECU	Notes	Diagram
President	G50	VH45DE	'90.10 ~ '02.12	A		N4 - a
Infiniti Q45	G50	VH45DE	'89.11 ~ '97.9	A		N4 - a
Cima	FGY33	VH41DE	'96.6 ~ '98.9	A		N6 - a
	FHY33	VQ30DET				N5 - a
Cima	FGY32	VH41DE	'91.8 ~ '96.5	A		N4 - a
	FPY32	VG30DET	'93.9 ~ '96.5			
Cima	FPY31	VG30DET	'89.8 ~ '91.7	A		N4 - a
		VG30DE	'88.1 ~ '89.7			N2 - a
Fairlady Z	Z32	VG30DETT VG30DE	'89.7 ~ '00.8	C		N4 - a
	Z31	VG30DET VG30DE RB20DET	'86.10 ~ '89.6	A		N1 - a
Leopard	Y33	VQ30DET VQ30DE	'96.3 ~ '99.6	A		N5 - a
	UF31	VG30DET VG30DE	'88.8 ~ '92.5			N4 - a
	GF31	VG20DET				N2 - a
Leopard J Feri	JGBY32	VH41DE	'92.6 ~ '96.2	A		N4 - a
	JPY32	VG30DE				
Cedric/Gloria	Y34	VQ30DET	'99.6 ~ '04.10	D		N8 - d
		VQ30DD VQ25DD				N9 - a
	Y33	VQ30DET VQ30DE	'95.6 ~ '99.5	A		N5 - a
	Y32	VG30DET VG30DE	'91.6 ~ '95.5			N4 - a
Y31	VG20DET VG20E	'89.6 ~ '91.5	Excluding 5AT cars			
Cefiro Wagon	W#A32	VQ30DE	'97.1 ~ '99.7	E		N6 - a
		VQ25DE VQ20DE	'97.1 ~ '00.8			
Terrano	YD21	VG30E	'89.10 ~ '95.8	F		N3 - a

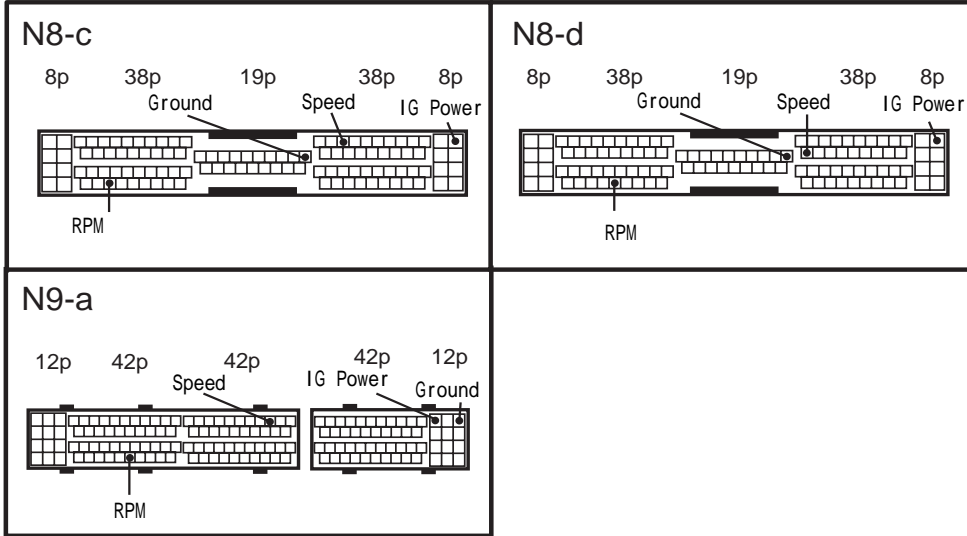
Name	Type	Engine	Year	ECU	Notes	Diagram
Cefiro	A33	VQ25DD	'98.12 ~ '00.12	E		N9 - a
		VQ20DE			N8 - a	
	A32	VQ30DE VQ25DE	'97.1 ~ '98.11			N6 - a
		VQ20DE			M / T	N4 - a
		VQ30DE VQ25DE VQ20DE	'94.8 ~ '96.12			N6 - a
	A31	RB20DET RB20DE RB25DE	'88.9 ~ '94.7		A	Excluding 5AT cars
Laurel	C35	RB25DET RB25DE RB20DE	'97.6 ~ '02.12	A		N6 - a
	C34	RB25DET	'94.1 ~ '97.5		Excluding 5AT cars	N4 - a
		RB25DE RB20DE	'93.1 ~ '97.5			
C33	RB20DET RB20DE	'89.1 ~ '92.12				
Skyline	R34	RB26DETT	'99.1 ~ '02.8	A		N4 - a
		RB25DET	'98.5 ~ '01.5		N6 - a	
	R33	RB26DETT	'95.1 ~ '98.12		Excluding 5AT cars	N4 - a
		RB25DET RB25DE	'93.8 ~ '98.4			
	R32	RB26DETT	'89.8 ~ '94.12		Excluding 5AT cars	N4 - a
		RB25DE	'91.8 ~ '93.7			
		RB20DET RB20DE	'89.5 ~ '93.7			
R31	RB20ET RB20E	'87.8 ~ '89.4		N1 - a		
Stagea	W#C34	RB25DET RB25DE	'96.8 ~ '01.9	A		N6 - a
Stagea Autech Ver.260RS	WGNC34	RB26DETT	'97.10 ~ '01.9	A		N4 - a

Name	Type	Engine	Year	ECU	Notes	Diagram	
Blue Bird Sylphy	G10	QR20DD	'00.8 ~ '05.11	L		N8 - b	
		QG18DE			2WD	N8 - c	
		QG15DE			4WD	N7 - a	
Blue Bird	U14	SR20VE	'97.9 ~ '01.7	E		N3 - a	
		SR20DE	'96.1 ~ '01.7				
		SR18DE	'96.1 ~ '98.8				
	U13	SR20DET SR20DE SR18DE	'91.9 ~ '95.12				
		U12	SR20DET SR20DE		'89.10 ~ '91.8		
	CA18DET CA18DE		'87.9 ~ '89.9		N4 - a		
Silvia	S15	SR20DET SR20DE	'99.1 ~ '02.7	A		N3 - a	
	S14	SR20DET	'96.6 ~ '98.12				
			'93.10 ~ '96.5			N4 - a	
		SR20DE	'93.10 ~ '98.12			N3 - a	
	PS13	SR20DET	SR20DE		'91.1 ~ '93.9		N3 - b
							N3 - a
S13	CA18DET CA18DE	'88.5 ~ '90.12		N4 - a			
180SX	RPS13	SR20DET SR20DE	'96.8 ~ '98.12	A		N3 - a	
		SR20DET	'91.1 ~ '96.7			N3 - b	
	RS13	CA18DET	'89.3 ~ '90.12			N4 - a	
Pulsar	N15	SR16VE	'97.9 ~ '00.8	E	Not Including N1	N3 - a	
		SR18DE GA16DE	'95.1 ~ '00.8				
	N14	SR20DET SR18DE	'90.8 ~ '94.12				
Primera Wagon	W# P11	SR20VE SR20DE	'97.9 ~ '00.12	E		N3 - a	
		SR18DE	'97.9 ~ '99.3				

Name	Type	Engine	Year	ECU	Notes	Diagram
Primera	P11	SR20VE	'97.9 ~ '01.1	E		N3 - a
		SR20DE	'95.9 ~ '00.12			
		SR18DE	'95.9 ~ '98.8			
	P10	SR20DE	'90.2 ~ '95.8			
		SR18DE	'92.9 ~ '95.8			
Wing Road	Y11	SR20VE	'99.5 ~ '01.9	E		N3 - a
		QG18DE QG15DE	'99.5 ~ '05.10			N7 - a
Avenir	W11	SR20DET SR20DE	'98.8 ~ '00.4	E		N3 - a
	W10	SR20DET	'95.8 ~ '98.7			
		SR20DE	'90.5 ~ '98.7			
		SR18DE	'93.1 ~ '98.7			
Sunny	B15	SR16VE	'98.10 ~ '99.8	E		N3 - a
	B14	SR18DE	'94.1 ~ '98.9			
	B13		'90.1 ~ '93.12			
NX Coupe	B13	SR18DE	'90.1 ~ '93.12	E		N3 - a
March	K11	CG13DE	'92.1 ~ '02.2	E	Including CGA3DE	N3 - a
		CG10DE				
Cube	Z10	CG13DE	'98.2 ~ '02.9	C	Including CGA3DE	N3 - a

## ECU Diagram (NISSAN)







## Application Chart (HONDA)

Name	Type	Engine	Year	ECU	Adj Setting	Notes	Diagram
NSX	NA2	C32B	'97.2 ~ '05.12	N			H3 - a
	NA1	C30A	'90.9 ~ '05.12				
S2000	AP1	F20C	'99.4 ~ '05.10	A	106		H8 - a
Legend	KA9	C35A	'96.2 ~ '04.9	C			H3 - b
	KA8 KA7	C32A	'90.10 ~ '96.1				H3 - a
Inspire	UA2	G25A	'95.2 ~ '98.9	C			H3 - c
	UA1	G20A					
	CC2	G25A	'92.1 ~ '95.1				
	CB5	G20A	'89.10 ~ '91.12				
Prelude	BB8 BB6	H22A	'96.12 ~ '00.9	C			H6 - a
	BB4		'91.9 ~ '96.11			w/o TCS	H2 - a
	BB1					w/ TCS	H3 - c
Torneo	CF4	F20B	'97.9 ~ '00.5	E		M / T	H7 - a
					80	A / T	H7 - b
	CF3	F18B					M / T
Accord	CF4	F20B	'97.9 ~ '00.5	E		M / T	H7 - a
					80	A / T	H7 - b
	CF3	F18B	'93.9 ~ '97.8	C		M / T	H7 - a
					91	A / T	H7 - b
Accord Wagon	CF7	F23A	'97.10 ~ '02.10	E	96		H7 - b
	CF6				93		
	CE1	F22B	'94.3 ~ '97.9	C			H2 - a
	CB9	F22A	'91.3 ~ '94.2				

**Adj: Speed Pulse Adjust Setting**  
Please refer to the instruction manual for setting procedures

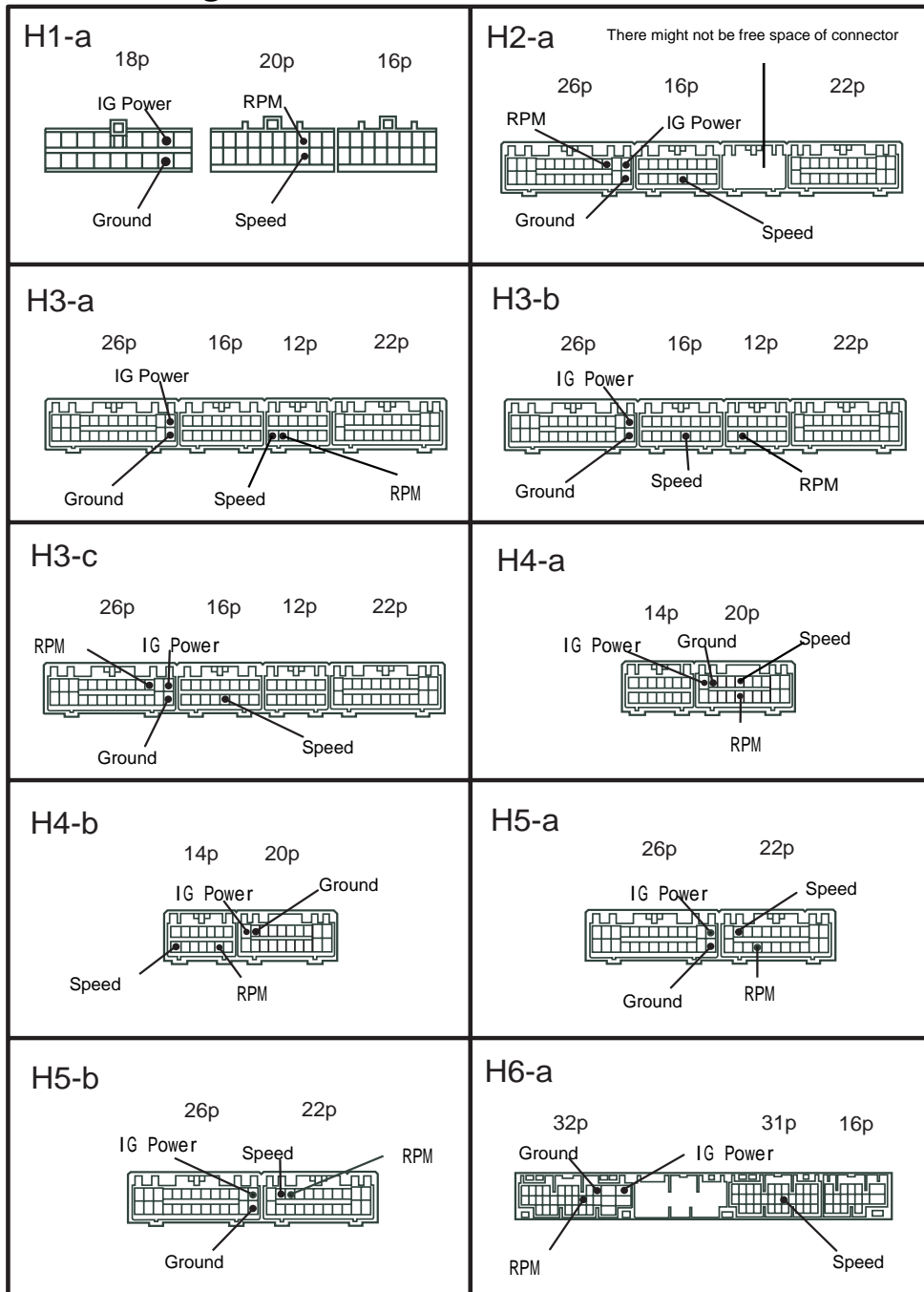
Name	Type	Engine	Year	ECU	Adj Setting	Notes	Diagram	
Integra (including the '98 specification)	DC5	K20A	'01.7 ~ '06.6	D		M / T	H9 - a	
	DC2 DB8	B18C	'95.9 ~ '01.6	A		M / T	H6 - a	
						A / T	H3 - c	
			'93.5 ~ '95.8			M / T	H2 - a	
						A / T	H3 - a	
DA6	B16A	'89.4 ~ '93.5	C			H1 - a		
Civic	EP3	K20A	'01.12 ~ '05.9	D			H9 - a	
	EK9	B16B	'00.8 ~ '00.9	A			H8 - b	
			'98.9 ~ '00.7				H7 - a	
			'97.6 ~ '98.8				H6 - a	
	EK4	B16A	'98.9 ~ '00.7				H7 - a	
			'95.9 ~ '98.8				H6 - a	
	EK3	D15B	'98.9 ~ '00.7				w/ VTEC	H7 - a
			'95.9 ~ '98.8					H6 - a
	EG6	B16A	'91.9 ~ '95.8					H2 - a
	EG4	D15B					Excluding carburetor cars	
EF9	B16A	'89.9 ~ '91.8	C				H1 - a	
Odyssey	RA7	F23A	'99.12 ~ '03.9	E	86		H7 - b	
	RA6				89			
	RA4 RA3		'97.10 ~ '99.11	C	87			
	RA2 RA1	F22B	'94.10 ~ '97.9				H2 - a	

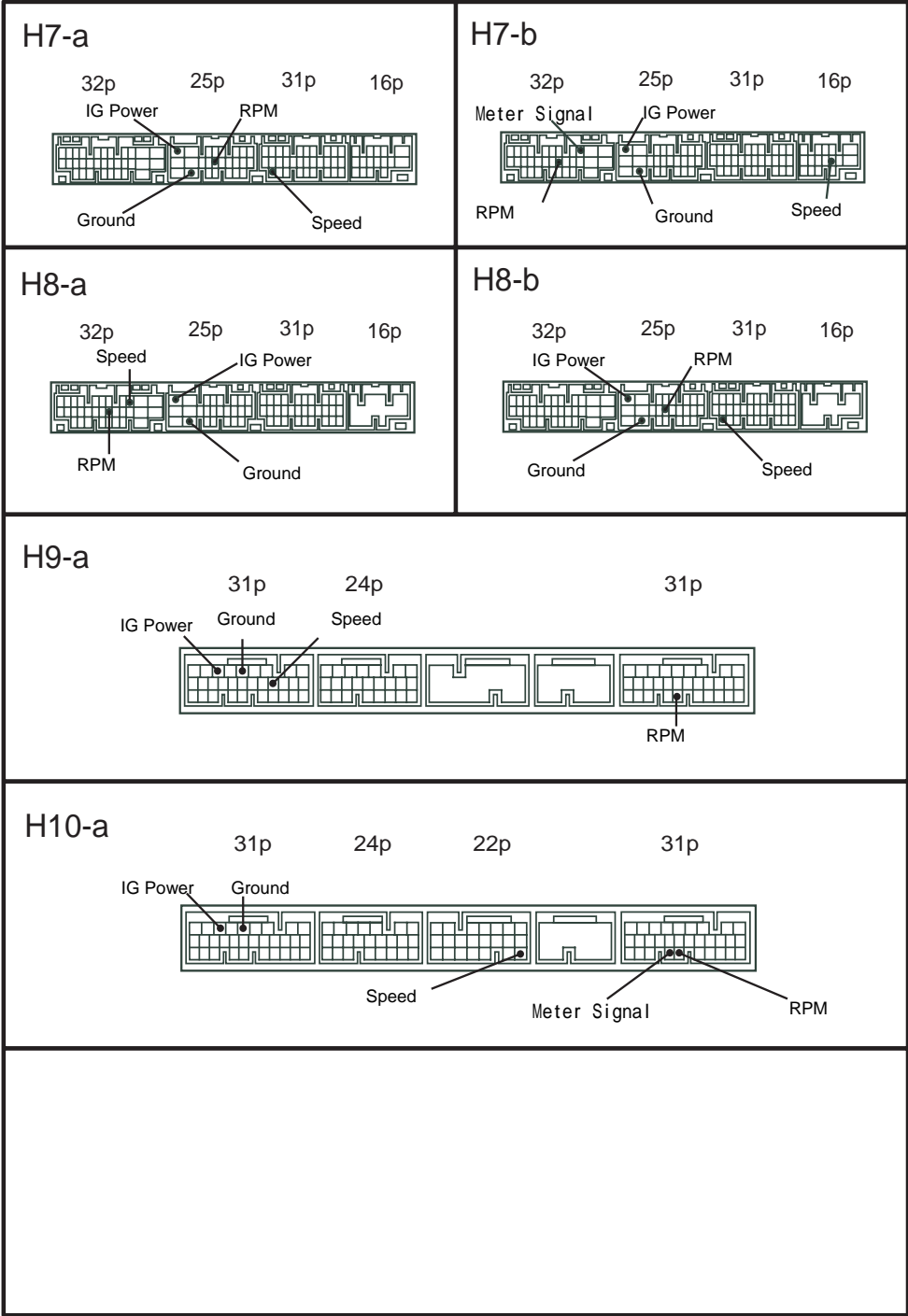
**Adj: Speed Pulse Adjust Setting**  
**Please refer to the instruction manual for setting procedures**

Name	Type	Engine	Year	ECU	Adj Setting	Notes	Diagram	
CR - X	EG2	B16 A	'92.3 ~ '95.10	A			H2 - a	
	EG1	D15 B		B				
	EF8	B16 A	'89.9 ~ '92.2	C			H1 - a	
CR - V	RD2	B20 B	'97.10 ~ '01.8	A			H7 - a	
	RD1						H3 - c	
S - MX	RH2 RH1	B20 B	'96.11 ~ '99.8	E			H3 - c	
STEP WGN	RF2 RF1	B20 B	'96.5 ~ '99.4	C			H3 - c	
Life	JB2 JB1	E07Z	'98.10 ~ '03.8	A			H5 - b	
	JA4	E07A	'97.4 ~ '98.9	G			H4 - a	
Capa	GA4	D15 B	'98.4 ~ '02.1	A			H5 - a	
Z	PA1	E07Z	'98.10 ~ '02.1	N		T / C	H5 - b	
						NA	H4 - b	
Fit	GD4	L15 A	'02.9 ~ '07.9	B	81	CVT	H10 - a	
	GD3							'04.6 ~ '07.9
	GD2	L13 A	'01.7 ~ '07.9					H10 - a
	GD1	'01.6 ~ '07.9						
Fit Aria	GD9 GD8	L15 A	'02.12 ~	B	81		H10 - a	
	GD7 GD6	L13 A	'02.12 ~ '05.9					

**Adj: Speed Pulse Adjust Setting**  
Please refer to the instruction manual for setting procedures

**ECU Diagram (HONDA)**



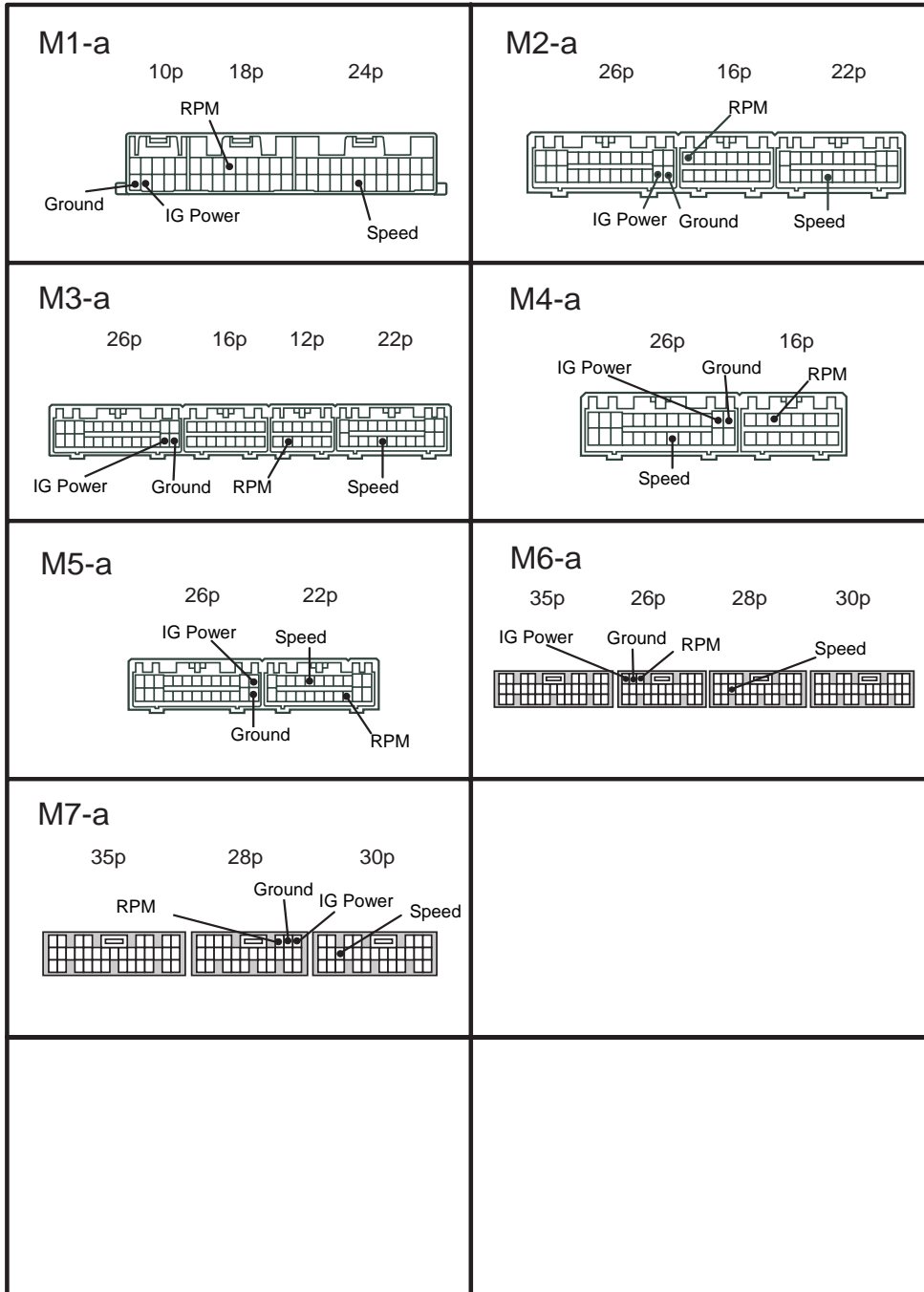


## Application Chart (MITSUBISHI)

Name	Type	Engine	Year	ECU	Notes	Diagram
GTO	Z16A	6G72	'90.10 ~ '00.7	E		M2 - a
FTO	DE3A	6A12	'97.2 ~ '00.7	B	w/o MIVEC 5AT	M6 - a
			'94.10 ~ '97.1		w/o MIVEC M/T	M3 - a
			'96.2 ~ '00.7		w/ MIVEC	
			'94.10 ~ '96.1			M2 - a
	DE2A	4G93			M3 - a	
Legnum	EC5W	6A13	'96.8 ~ '02.8	E	DOHC 4AT	M3 - a
Galant	EC5A	6A13	'96.8 ~ '02.8	E	DOHC MT	M3 - a
	E84A	6A12	'92.5 ~ '96.7		DOHC	M2 - a
	E39A	4G63	'87.10 ~ '92.4	B		M1 - a
Eclipse	D32A	4G63	'95.6 ~ '99.12	E		M3 - a
	D27A		'89.11 ~ '95.5			M1 - a
Lancer Evolution	CT9A	4G63	'05.3 ~ '06.12	D		M7 - a
Lancer Evolution	CT9A	4G63	'03.1 ~ '04.1	D		M7 - a
Lancer Evolution	CT9A	4G63	'01.2 ~ '02.3	D	M/T	M3 - a
Lancer	CP9A	4G63	'98.1 ~ '01.1	B	including the • TM	M3 - a
	CN9A		'96.8 ~ '97.12			
	CE9A		'93.10 ~ '96.7		M2 - a	
	CD9A		'92.10 ~ '93.9			
	CK4A	4G92	'95.10 ~ '00.5		MIVEC	M3 - a
	CM5A	4G93	'91.10 ~ '95.9			M2 - a
	CD5A					
Libero	CD5W	4G93	'92.5 ~ '00.5	B		M2 - a

Name	Type	Engine	Year	ECU	Notes	Diagram
Mirage	CM5A	4G93	'95.10 ~ '00.5	B	MIVEC	M3 - a
	CJ4A	4G92				'91.10 ~ '95.9
	CA4A					
Chariot Grandis	N94W N84W	4G64	'97.10 ~ '00.4	C	w/ CruiseControl	M7 - a
					w/o CruiseControl	M3 - a
Pajero	V75W V65W	6G74	'99.9 ~ 05.10	A	Excluding 5AT cars	M6 - a
	V25W		'93.7 ~ '99.1			M2 - a
	V23W	6G72	'92.6 ~ '97.4			M1 - a
Pajero lo	H77W	4G94	'00.6 ~	D	T / C	M7 - a
	H76W	4G93	'00.7 ~ '04.11			
	H6#W		'98.10 ~ '00.6			
	H72W	4G94	'00.6			
Pajero Jr.	H57A	4A31	'95.11 ~ '98.5	J		M4 - a
Pajero Mini	H58A H53A	4A30	'98.10 ~	K	M / T	M5 - a
					A / T	M3 - a
RVR	N74WG	4G64	'97.11 ~ '02.8	B	M / T	M3 - a
	N73WG	4G63				
	N71W N61W	4G93	'99.10 ~ '02.8	C		M6 - a
			'97.11 ~ '99.9	B		M3 - a
N23W#	4G63	'91.2 ~ '97.10	B		M2 - a	
Minica Dangan	H36A	4A30	'93.9 ~ '97.9	J		M4 - a

*ECU Diagram (MITSUBISHI)*





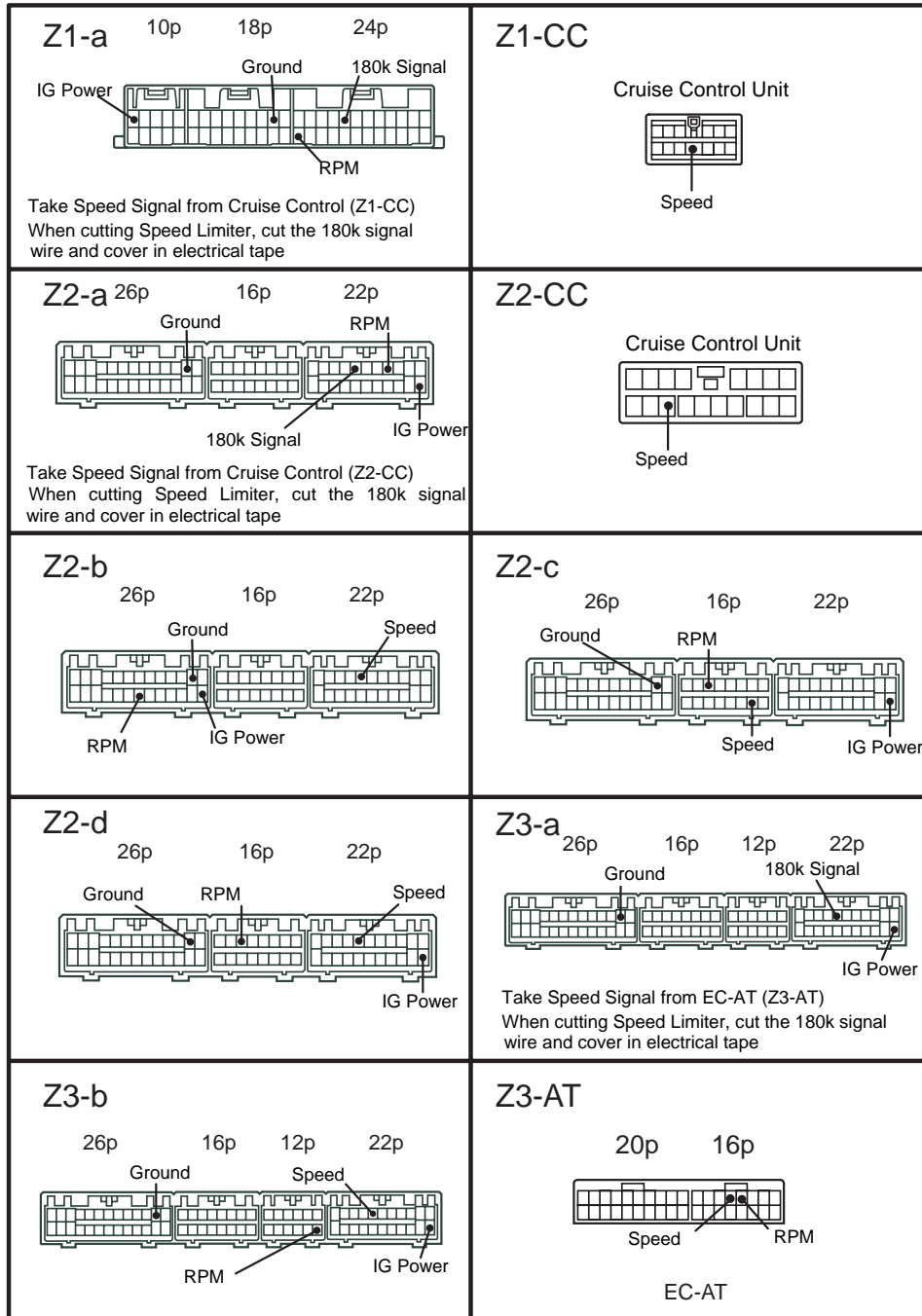
## Application Chart (MAZDA)

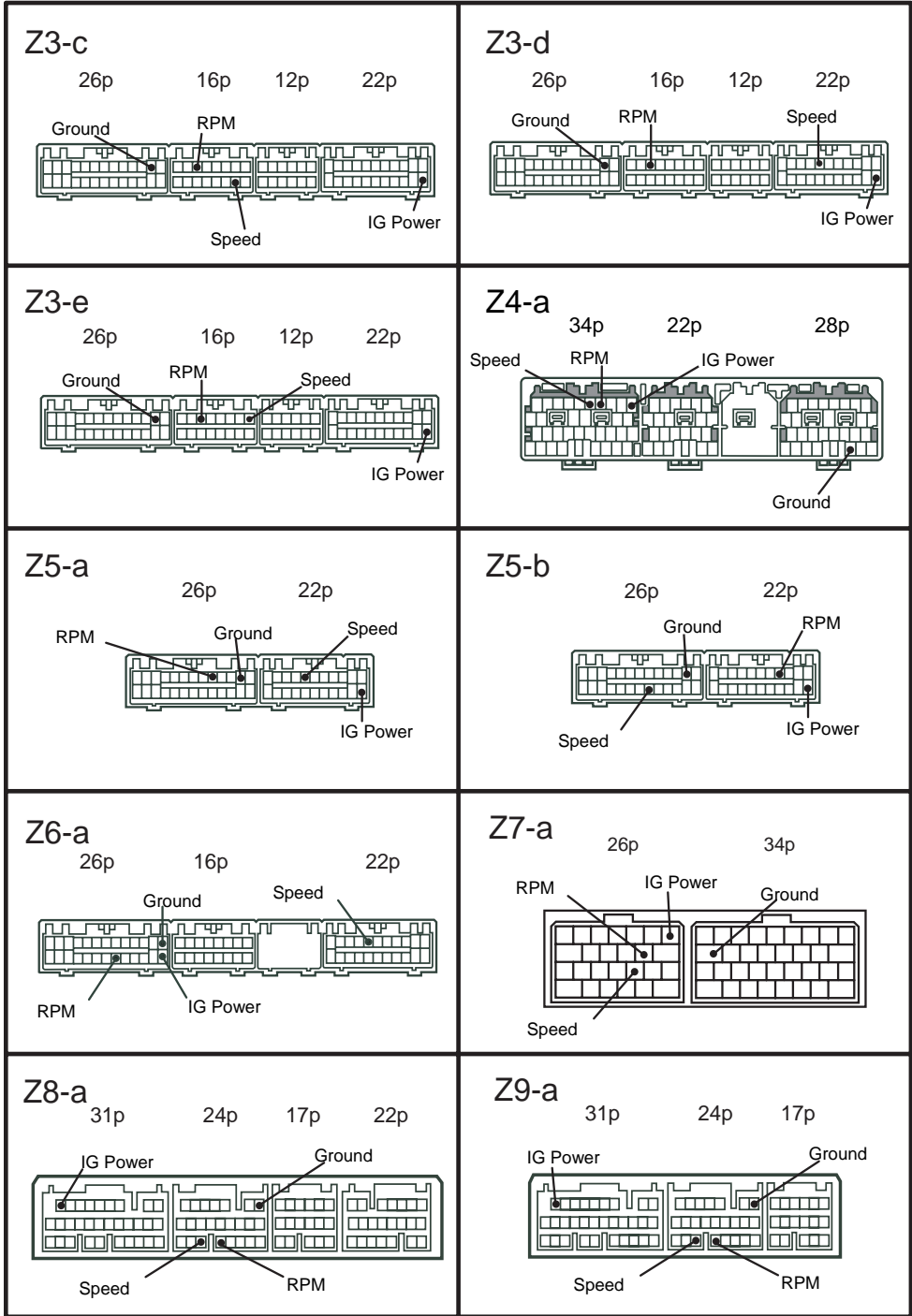
Name	Type	Engine	Year	ECU	Notes	Diagram
Eunos Cosmo	JC3S	13B - REW	'94.3 ~ '95.8	C B		Z3 - a
	JC3SE		'90.3 ~ '94.2			
	JCES	20B - REW	'94.3 ~ '95.8			
	JCESE		'90.3 ~ '94.2			
RX - 7	FD3S	13B - REW	'95.12 ~ '02.8	A		Z4 - a
			'91.12 ~ '95.11			Z3 - b
	FC3S	13B	'88.9 ~ '91.11	C H	Only w/Cruise Control	Z2 - a
			'85.9 ~ '88.8			Z1 - a
Roadster	NB8C	BP - VE (RS)	'00.7 ~ '05.7	C	Excluding Coupe	Z9 - a
		BP - ZE (RS)	'98.1 ~ '00.6			Z2 - c
	NB6C	B6 - ZE (RS)	'02.6 ~ '05.7		Excluding Coupe	Z9 - a
			'98.1 ~ '02.5			Z2 - c
	NA8C	BP - ZE	'95.8 ~ '97.12			Z6 - a
			'93.8 ~ '95.7			Z5 - a
Familia	BJ5P	ZL - DE	'98.6 ~ '03.6	D	4WD • M / T	Z2 - d
					4WD • A / T	Z3 - d
		2WD	Z8 - a			
		M / T	Z3 - c			
	A / T					
	BJ3P	B3 - ME	'98.6 ~ '02.8			
BG8Z	BP - ZET	'89.8 ~ '94.3	E		Z5 - b	
Familia S Wagon	BJFW	FS - ZE	'99.8 ~ '04.3	D	4WD • M / T	Z2 - d
					4WD • A / T	Z3 - d
					2WD	Z3 - e

Cruise Control Unit Location

Name	Type	Engine	Year	ECU	Notes	Diagram
Demio	DW5W	B5E	'99.12 ~ '02.7	I		Z8 - a
		B5 - ME	'96.8 ~ '99.11			Z2 - b
	DW3W	B3E	'99.12 ~ '02.7			Z8 - a
		B3 - ME	'96.8 ~ '99.11			Z2 - b
AZ Wagon	MD21S	K6A T / C	'98.10 ~ '00.11	L		Z7 - a
	MD11S	F6A T / C				

## ECU Diagram (MAZDA)



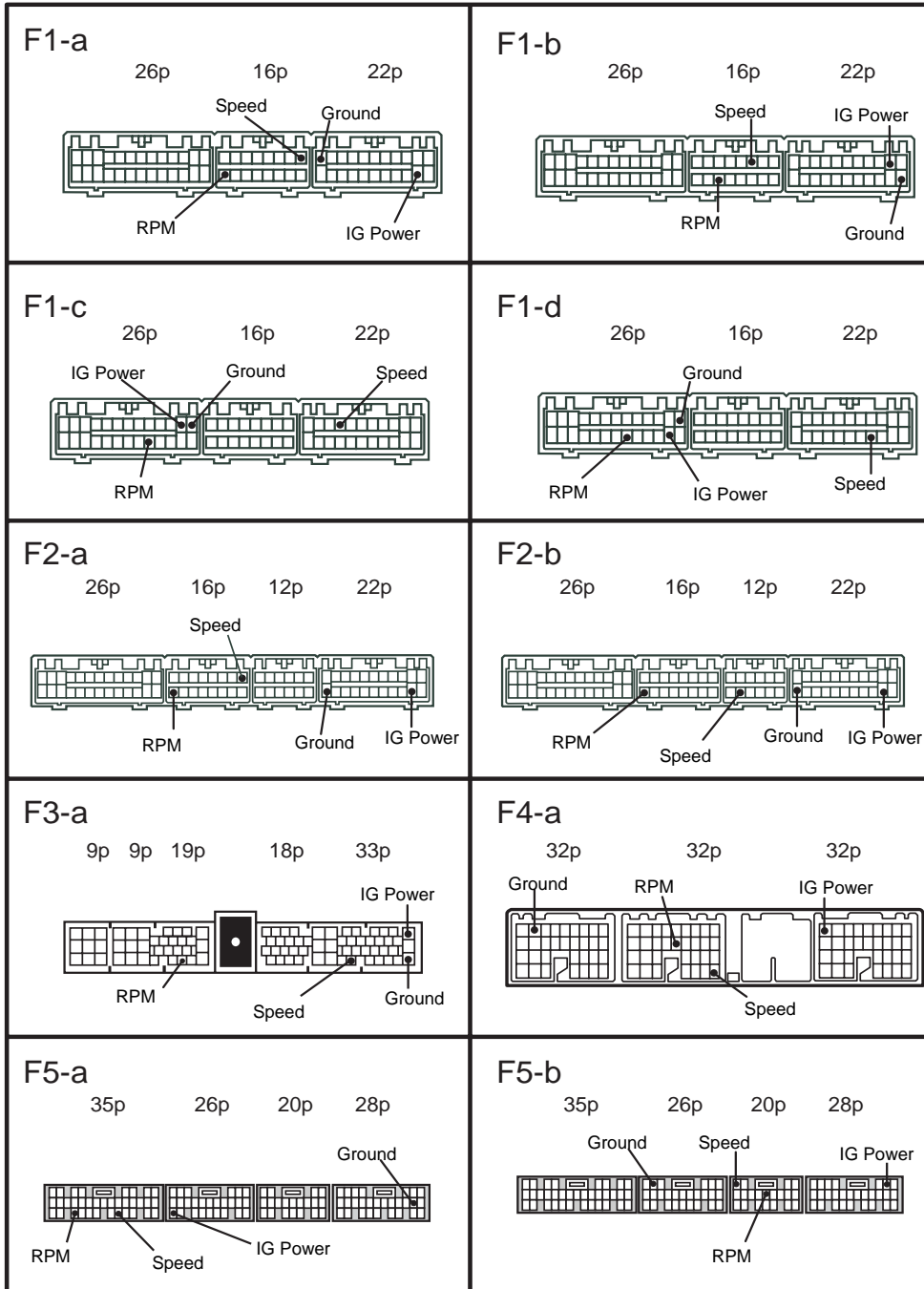


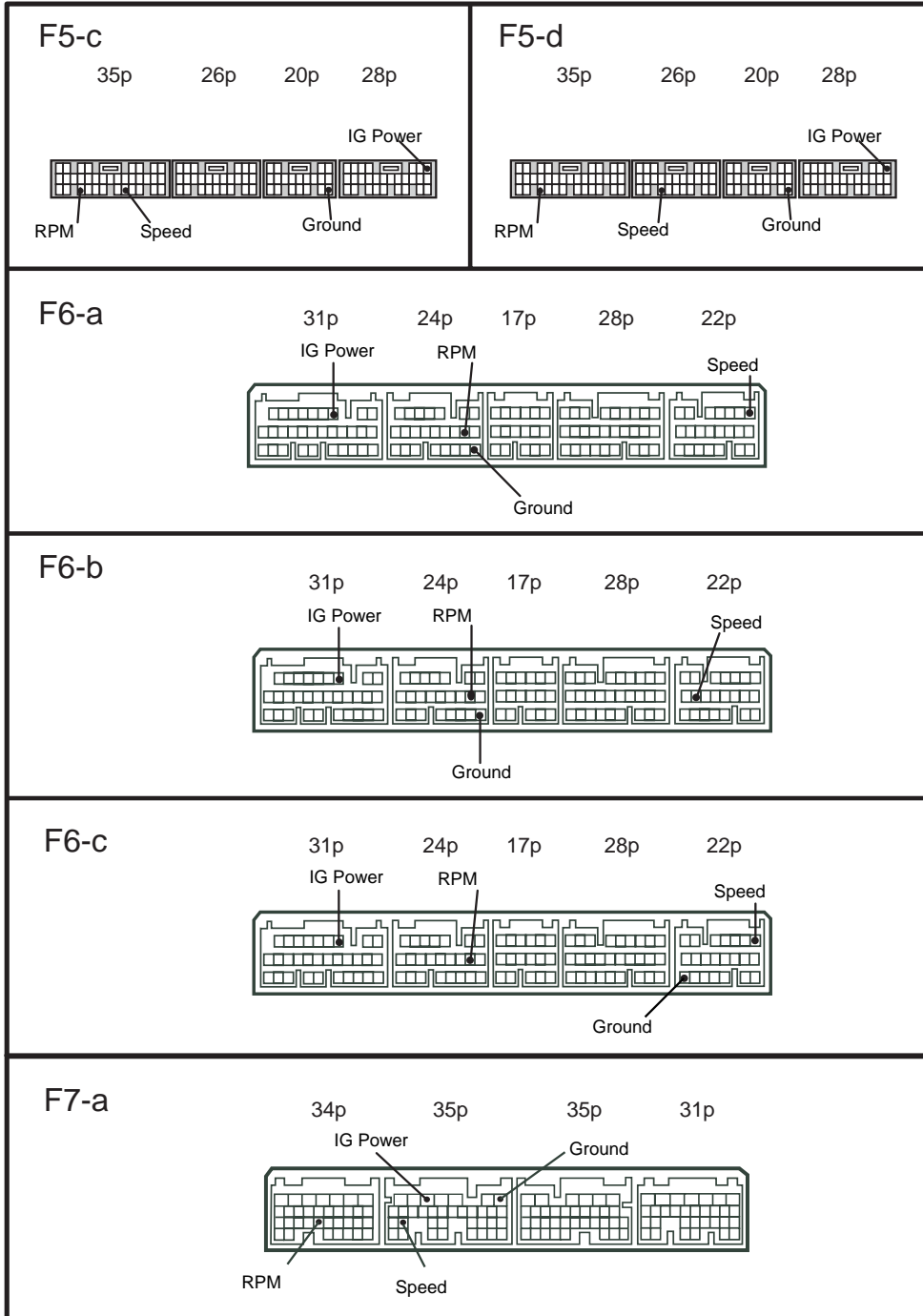
## Application Chart (SUBARU)

Name	Type	Engine	Year	ECU	Notes	Diagram	
Legacy B4	BE9	EJ254	'01.5 ~ '03.4	C		F5 - b	
	BE5	EJ208 EJ206				F6 - c	
		EJ204				F5 - b	
		EJ208 EJ204	'98.12 ~ '01.4			F4 - a	
Legacy Touring Wagon	BH5	EJ208 EJ206	'01.5 ~ '03.4	C		F6 - c	
		EJ204			F5 - b		
		EJ208 EJ206 EJ204	'98.6 ~ '01.4			F4 - a	
Legacy	BD5 BG5	EJ20R	'96.6 ~ '98.5	C		F1 - b	
		EJ20D EJ20H				M / T	
					'93.10 ~ '96.5	A / T	F3 - a
	BD9 BG9	EJ25D	'96.6 ~ '98.5			T / C	F2 - a
			'94.10 ~ '96.9			NA	F1 - a
	BC5 BF5	EJ20G	'89.2 ~ '93.9		H		F2 - b
Impreza	GDB GGB	EJ207	'00.10 ~ '07.6	C	w/ spec C	F6 - a	
	GDA GGA	EJ205	'00.8 ~ '07.6				
	GD9	EJ204	'00.8 ~ '03.8			F5 - b	
	GG9		'00.8 ~ '04.5				
	GG3 GG2	EJ152	'00.8 ~ '07.6		M / T	F5 - a	
	GC8 GF8	EJ207 EJ205	'98.9 ~ '00.7			F4 - a	
		EJ20K	'96.9 ~ '98.8			F1 - b	
		EJ20G	'92.11 ~ '96.8			F2 - b	

Name	Type	Engine	Year	ECU	Notes	Diagram
Forester	SG9	EJ255	'04.2 ~ '04.12	C	STi Ver .	F7 - a
	SG5	EJ205	'02.2 ~		M / T	F6 - a
		EJ202			A / T	F6 - b
					M / T	F5 - c
	SF5	EJ205	'98.9 ~ '02.1		A / T	F5 - d
		EJ20G	'97.2 ~ '98.8			F4 - a
						F1 - b
Vivio	KK4 KK3	EN07	'97.5 ~ '98.10	H	DOHC · S / C A / T	F1 - c
			'96.11 ~ '98.10		S / C · M / T	
		EN07Z EN07X	'92.3 ~ '96.10		SOHC · S / C A / T	F1 - d
					SOHC · S / C	F1 - c

## ECU Diagram (SUBARU)



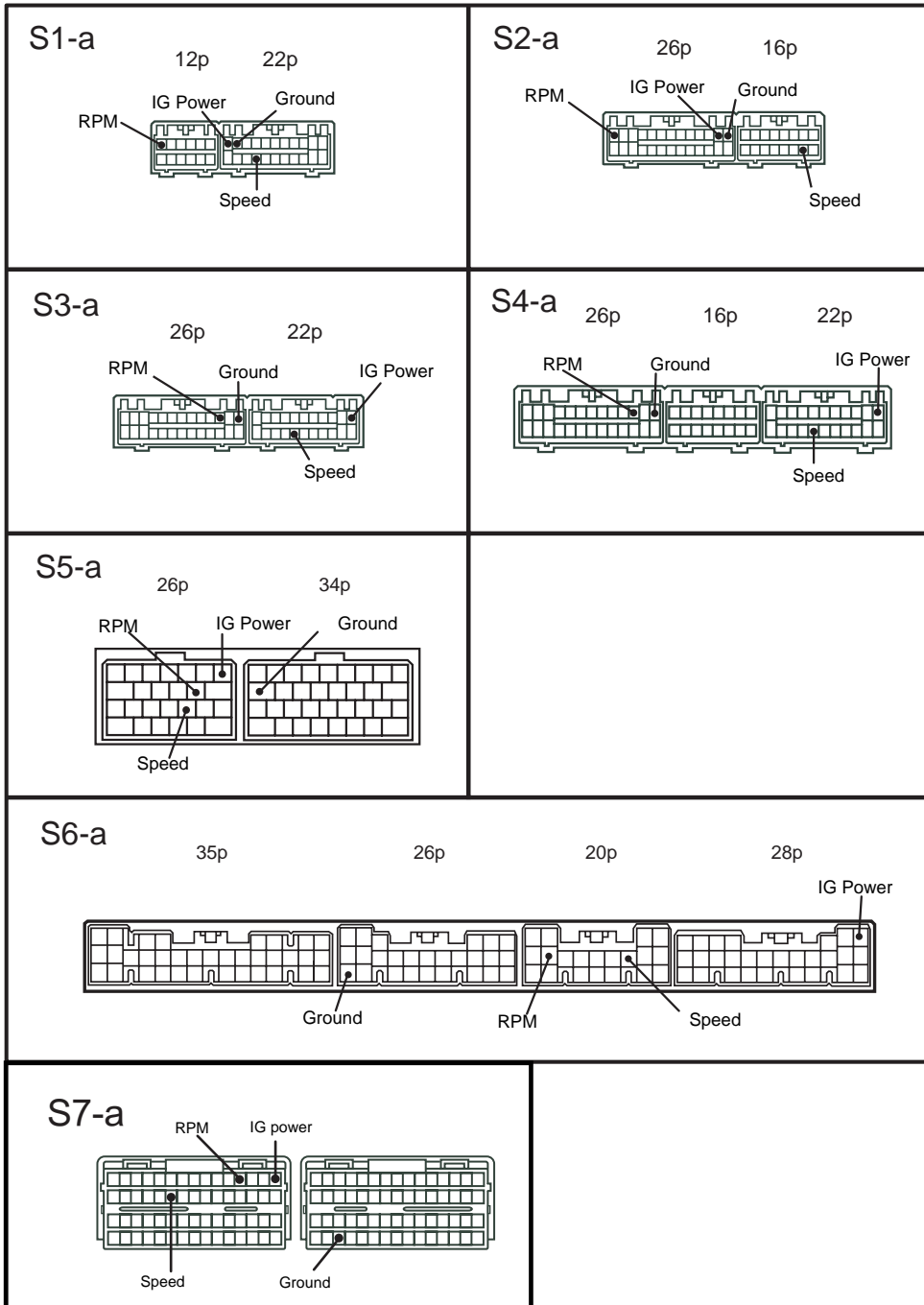




## Application Chart (SUZUKI)

Name	Type	Engine	Year	ECU	Notes	Diagram
Alto Works	HA22S	K6A T/C	'99.9 ~ '00.12	L	w/ VVT M/T	S6 - a
			'98.10 ~ '00.12		M/T	S5 - a
	HA12S	F6A T/C		M/T		
	HA21S HB21S	K6A T/C	'94.11 ~ '98.9	B	M/T	S3 - a
HA11S HB11S	F6A T/C	M/T			S2 - a	
Cappuccino	EA21R	K6A T/C	'95.5 ~ '97.12	K	M/T	S4 - a
	EA11R	F6A T/C	'91.1 ~ '95.4	B	M/T	S1 - a
Wagon R	MC21S	K6A T/C	'98.10 ~ '00.11	L	M/T	S5 - a
	MC11S	F6A T/C			M/T	
	CT51S CV51S	K6A T/C	'97.4 ~ '98.9	B	M/T	S4 - a
	CT21S CV21S	F6A T/C	'95.10 ~ '97.10		M/T	S2 - a
		'93.9 ~ '95.9		S1 - a		
Kei	HN21S	K6A T/C	'98.10 ~ '01.3	L	M/T	S5 - a
	HN11S	F6A T/C			M/T	
Jimny	JB23W	K6A T/C	'98.10 ~	L	M/T	S5 - a
	JA22W					S3 - a
	JA12W	F6A T/C	'95.11 ~ '98.9	B	M/T	S2 - a
Swift Sport	ZC31S	M16A	'05.9 ~	L	The speed limiter cannot be released	S7 - a

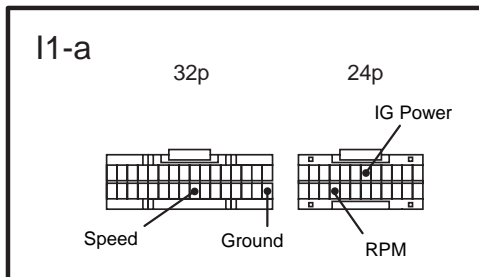
*ECU Diagram (SUZUKI)*



## Application Chart (ISUZU)

Name	Type	Engine	Year	ECU	Notes	Diagram
Big Horn	UBS25	6VD1	'91.12 ~ '98.1	E		I1-a

## ECU Diagram (ISUZU)





## Notes

1. The contents of this document are subject to change without prior notice
2. The contents of this document have been prepared with extreme care. However, if you find, error, or other fault, please inform us of it
3. A part or all of this document may not be reproduced in any form without prior written permission, and also may not used without the prior written permission of Apex Co., Ltd. under the copyright except for private use.

- The company names and product names described in this document are the registered trademarks or brands of the respective companies
- The names, addresses and telephone numbers mentioned as where to contact are as of Mar.27, 2008. Note that this information is subject to change

## Revision record

No,	Date of issue	Part No. of instruction manual	Edition	Change of description
1	Feb 7,2001	7407-0210-00	First Edition	
2	Apr 9,2001	7407-0210-01	Ver.2	
3	Aug 19,2002	7407-0250-00	Ver.3	
4	Dec 1,2003	7407-0250-01	Ver.4	
5	Jul 1,2005	7407-0250-02	Ver.5	
6	Dec 1,2006	7407-0250-03	Ver.6	
7	Mar 27,2008	7407-0250-04	Ver.7	

### *Apex Co.,Ltd.*

5-21-3 Fujimi SagamiharaCity,Kanagawa,229-1125 Japan.

Tel :+81-42-768-8148 Fax:+81-42-768-8072

URL <http://www.apexi.co.jp/>

### *Apex Integration Inc.*

1449 West Orange Grove Avenue, Suite#A,Orange, CA 92868, USA

Tel :+1-714-685-5700 Fax:+1-714-685-5701

URL <http://www.apexi-usa.com/>

### *Apex Pac Co.Pte.Ltd.*

163, Pasir Panjang Road,Pasir Panjang District Park,#01-20,Singapore 118498.

Tel :+65-6257-5977 Fax:+65-6755-1497

URL <http://www.apex-pac.com/>