

Operating Instructions

HAND HELD REMOTE CONTROL For Use With Packaged Terminal Units

Please read these instructions completely before attempting installation.

NOTE: This kit is for use with PD model Friedrich PTAC units with SD or later suffixes. For example: PDE09K3SD. This kit will not work with prior models.

Preparing unit for remote control use

NOTE: The remote control operation requires the control panel door of the PTAC to remain open or be removed from the unit. If electing to use the fill piece, follow Steps 1-4. Otherwise, proceed straight to Step 5.

- 1) Remove the control panel door from the front grille by unhinging it from the grille. This is done by pushing back on the top portion of the door until the door is released from the hinges.
- 2) Remove the front grille from the unit.
- 3) Screw the fill piece to the unit using the screws provided into the two screw holes above the control panel.
- 4) Reattach the front grille.
- 5) Turn on the PTAC unit
- 6) Put batteries in the remote
- 7) The remote control is now ready for operation.
- 8) Your unit should come already enabled to receive the remote signal. If after all the steps are done and your unit does not respond to remote signal, hold the temp \checkmark and the temp \wedge buttons simultaneously for three seconds, or until the display window shows "E" to enable the remote.

This kit contains.....	Qty
1. Installation instructions	1
2. Remote control	1
3. AAA batteries.....	2
4. Fill piece	1
5. Screws #8 x 3/8	2

Remote Control Operation

POWER - Press the Power button once. The unit will automatically turn on in the mode and fan speed it was last left on.

To set mode of operation

COOL - Press the Cool button to automatically switch the operating mode to COOL.

HEAT - Press the Heat button to automatically switch the operating mode to Heat.

FAN ONLY - Press the Fan Only button if you want to run the fan only.

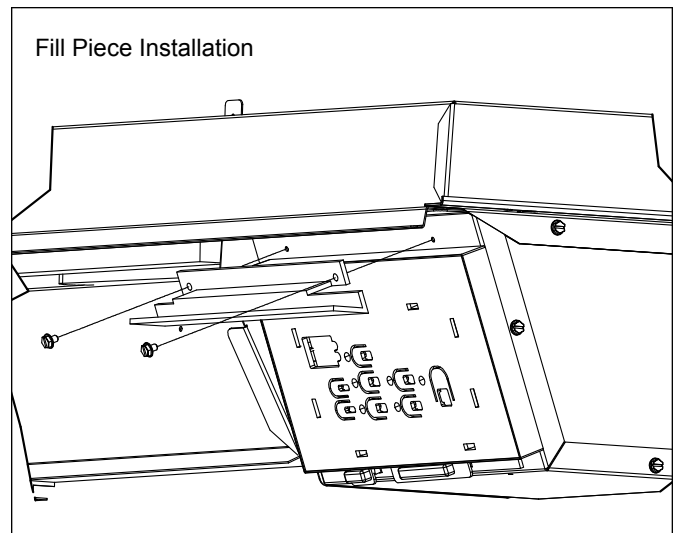
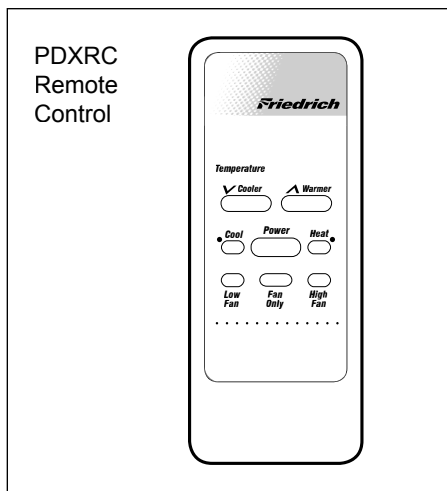
COOLER - Press the Cooler button to raise the temperature setting one degree.

WARMER - Press the Warmer button to lower the temperature setting one degree.

To adjust fan speed

Low Fan - Press the Low Fan button to adjust the fan speed to low.

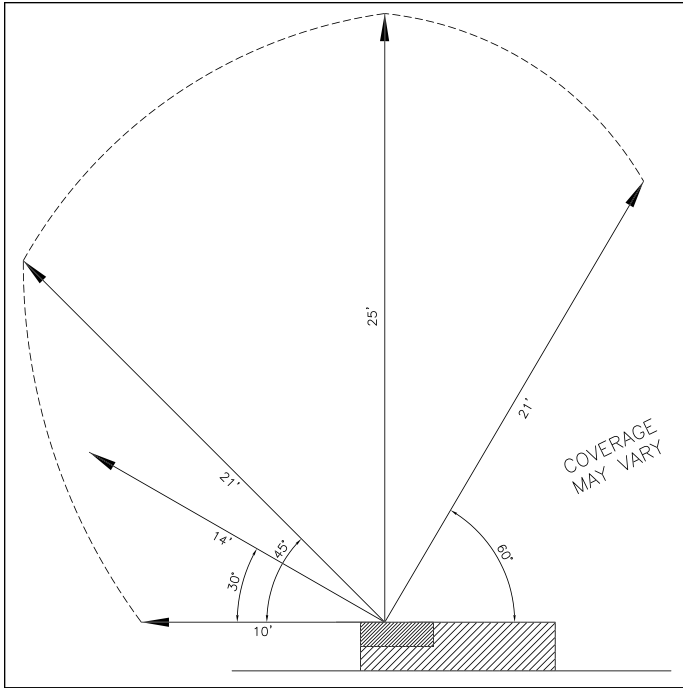
High Fan - Press the High Fan button to adjust the fan speed to high.



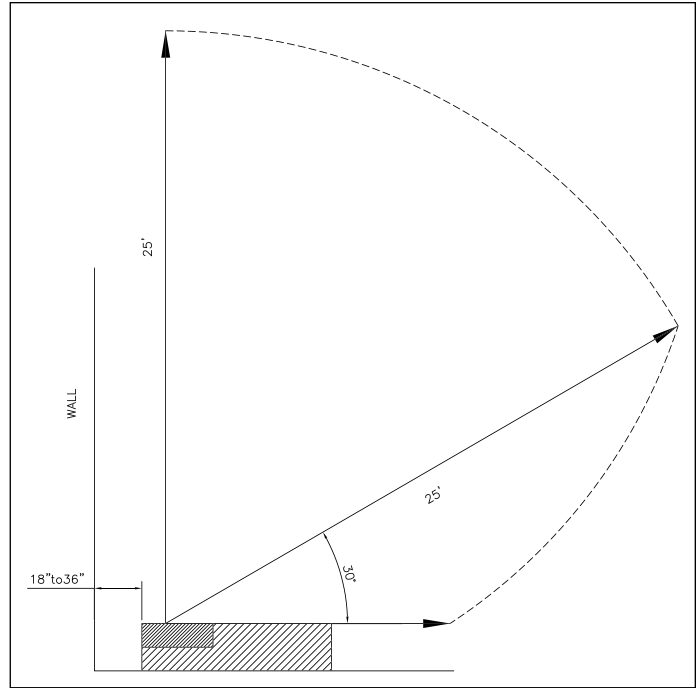
Operating Range

The hand held remote has an operating range of up to 25 feet. The infrared remote control signal must have a clear path to transmit the command to the PTAC unit. The remote signal has some ability to “bounce” off of walls and furniture similar to a television remote control. The diagram below shows the typical operating range of the control in a standard room with 8 ft high ceilings.

PTAC located in the center of wall:



PTAC located with wall to the left:



PTAC located with wall to the right:

