

ADVENT[®]

Model: CAM325

Wired Bumper or Butterfly Mounted

Camera

Installation Manual



Features

- Very Small Compact Camera
- High Resolution, 1/4 inch CMOS Color Camera
- Waterproof Housing
- 160 Degree Wide View Angle
- Selectable Image: Normal/Reverse
- Multiple Camera Mounts including Flush bumper mount and adjustable butterfly mount.
- DC12V – DC24V

Table of Contents

Warnings 3

Product Description 4

Packing List 4

Camera Installation 5

Camera Wiring Diagram..... 8

Specifications 9

Troubleshooting 9

Warnings

The product is intended to assist in safe driving and to allow the driver to have a broader rear view while the vehicle is in reverse. You, as the driver, are solely responsible for the safe operation of your vehicle and the safety of your passengers according to local traffic regulations. Do not use any features of this system to the extent it distracts you from safe driving. Your first priority while driving should always be the safe operation of your vehicle. Audiovox Electronics Corporation cannot accept any responsibility whatsoever for accidents resulting from failure to observe these precautions or safety instructions.

1. This product utilizes high voltage. Any unauthorized modifications or damage to the product may result in electrical shock. Handle all components with care. Inspect regularly for damage to components and cabling.
2. You are responsible for ensuring that the installation of this product does not void or affect the vehicle manufacturer's warranty. Audiovox Electronics Corporation or its subsidiaries are not liable in full or in part for improper installation resulting in loss or damage to your property, or for voiding all or part of the vehicle manufacturer's warranty.
3. Do not apply excessive force to any of the components contained within this kit. Excessive force used before, during or after installation that results in a damaged or non-functional part will void all warranties.
4. Please follow the procedures in this installation manual. Improper installation or modification of this product will void all warranties.

Product Description

This new camera system gives you two mounting options for installing a backup camera onto the rear of your vehicle (surface butterfly mount and in bumper flush mount).

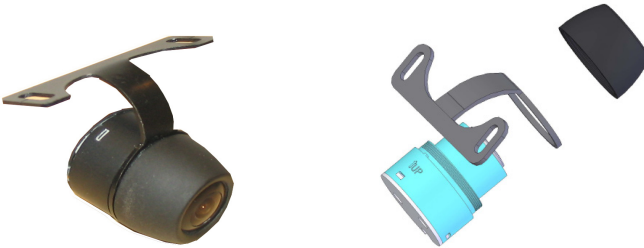
This Wired Camera is compatible with most monitors/TFT screens and can be connected using a standard RCA connector.

Packing List

Parts	Barcode #	Quantity
Camera	30232390	1
Power Cable & Adaptor Cable	30232160	1
Mounting Screw	30232010	1
Mounting Brackets	30232060	1
Manual	30232020	1

Camera Installation

Butterfly Mounting Instructions



1. Assemble the camera – ensure that the top of the camera marked with an alignment arrow and the word “UP” is aligned with the notch in the metal bracket.
2. Decide on a suitable mounting position.
3. Examine the vehicle to determine the best way to run the power wires to the reverse lights and the extension cable through the car.
4. Mount the camera using the provided bracket and screws – the bracket can be bent to suit different mounting angles.
5. Route the camera wiring into the vehicle. The wire can be run through an existing grommet, behind a tail lamp, under the trunk molding, or if necessary, through a 5/8 inch hole drilled near the vehicle’s rear license plate. **When choosing a wiring path, make sure the cable will not be damaged or pinched, as this may cause a short circuit that is not covered by the warranty.** If drilling a hole, perform the following steps:
 - a) Acquire a 5/8 inch drill bit, rust preventive, all of which can be purchased at a hardware store.
 - b) Check behind the intended drilling location before drilling to verify that no wires or mechanisms can interfere with or be damaged during drilling.
 - c) Check for interference with license plate lights and the hatch release switch and/or mechanism.

- d) Drill a 5/8 inch hole at the selected location.
- e) Coat the edge of the hole with rust preventative.
- f) Route the camera cable through the grommet and then through the hole.
- g) Insert the grommet in the hole to keep water from entering the vehicle.

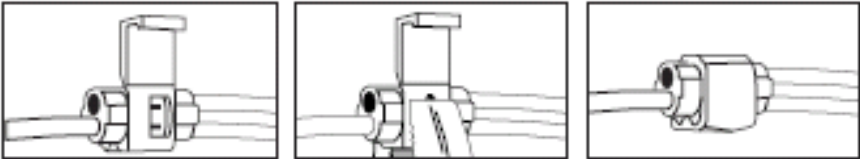
Flush Mounted Mounting Instructions



1. Assemble the camera. Ensure that the spacer ring is installed before the flush mounting supporter is screwed on.
2. Find a suitable location on the bumper (preferably in the center) where there is enough space behind the bumper for the camera.
3. Verify that the planned mounting location is accessible from behind and that you have access to route the wiring inside the vehicle.
4. Drill a 1” Diameter hole in the bumper and mount the camera. Use the alignment arrow and “UP” text to ensure the camera is mounted upright and level.
5. Be sure to press the camera in around the edges. Do not press directly on the lens.
6. Route the camera wiring into the vehicle. **When choosing a wiring path, make sure the cable will not be damaged or pinched, as this may cause a short circuit that is not covered by the warranty.**

Wiring the Camera to the Vehicle's Reverse Lamp

1. Locate the reverse lamp in the tail light assembly.
2. Using the tap connector supplied, perform the following steps:
 - a) Place the un-stripped positive lead from the tail lamp in the run channel, which runs completely through the connector.
 - b) Insert the un-stripped red power wire from the camera completely into the other channel in the connector.
 - c) Make the connection between the wires by crimping down the metal connector with a pair of pliers, making sure the metal is flush with the plastic insulator.
 - d) Close the top plastic hinged cover until latched.
3. Attach the black wire to the ground (negative).
4. Repeat the above steps for the red wire.



Connecting the Video Signal

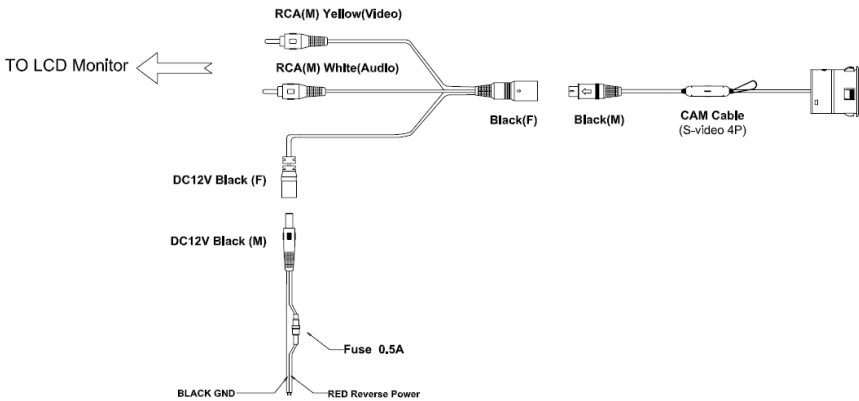
1. If used with an Advent LCD Monitor such as LCD4WM or LCDM42 the camera power and signal will be provided through a single cable to the monitor (supplied with the monitor).
2. If using an alternative monitor, use the adaptor harness to split the signal to RCA connections then connect to the female RCA input on the alternative monitor.

Reverse/Normal Image Adjustment

The camera comes standard with a reversed image, designed for mounting at the rear of the vehicle. If you need to change to a forward or normal image view, clip the blue jumper wire loop on the wiring cable to change the camera image to normal. Secure the clipped wires with electrical tape. To change back to reverse image view, reconnect the blue wires and secure with electrical tape.

Camera Wiring

Note: If used with an Advent LCD Monitor such as LCD4WM or LCDM42 the camera power and signal will be provided through a single cable to the monitor (supplied with the monitor).



Specifications

1. Voltage: DC9v – DC24v
2. Current: 50 mA
3. Signal System: NTSC
4. Image Sensor: 1/4” CMOS Sensor
5. Horizontal Resolution: 480 lines
6. Viewing Angle: 160 degrees
7. Minimum Illumination: 0.7 Lux
8. Image Display: Selectable Normal/Reverse Image
9. Adjustable Viewing Angle
10. Dimensions:
 - Camera: 26mm W x 30mm L
 - License Plate Bracket: 196mm W x 36mm H

Troubleshooting

Symptom	Solution
No video signal appears while reversing the vehicle	<ol style="list-style-type: none">1. Check the rear view camera lens and clean if needed.2. Check the rear view camera wiring connection and RCA connection.3. Check the Fuse – if blown replace ONLY with fuse of equal amperage.
Video image is not sharp enough	Clean the camera lens.



AUDIOVOX

3 YEAR LIMITED WARRANTY

Applies to Audiovox Series Control Modules and Sensors.

AUDIOVOX Electronics Corporation (the Company) warrants to the original retail purchaser of this product that should this product or any part thereof, (other than transmitters) under normal use and conditions, be proven defective in material or workmanship within 36 months from the date of original purchase, such defect(s) will be repaired or replaced with new or reconditioned product, (at the Company's option) without charge for parts or repair labor.

To obtain repair or replacement within the terms of this Warranty, the product is to be delivered with proof of warranty coverage (e.g. dated bill of sale), specification of defect(s), transportation prepaid, to an approved warranty station. This Warranty is not assignable or transferable.

This Warranty does not cover damage to the vehicle's electrical system or costs incurred for removal or reinstallation of the product. This Warranty does not cover batteries nor apply to any product or part thereof which, in the opinion of the Company, has suffered or been damaged through alteration, improper installation, mishandling, misuse, abuse, neglect, accident, or by removal or defacement of the factory serial number/bar code label(s).

This Warranty is in lieu of all other express warranties or liabilities. ANY IMPLIED WARRANTIES, INCLUDING ANY IMPLIED WARRANTY OF MERCHANTABILITY, SHALL BE LIMITED TO THE DURATION OF THIS WRITTEN WARRANTY. ANY ACTION FOR BREACH OF ANY WARRANTY HEREUNDER INCLUDING ANY IMPLIED WARRANTY OF MERCHANTABILITY MUST BE BROUGHT WITHIN A PERIOD OF 48 MONTHS FROM THE DATE OF ORIGINAL PURCHASE. IN NO CASE SHALL THE COMPANY BE LIABLE FOR ANY CONSEQUENTIAL OR INCIDENTAL DAMAGES FOR BREACH OF THIS OR ANY OTHER WARRANTY. No person or representative is authorized to assume for the Company any liability other than expressed herein in connection with the sale of this product.

The company does not warrant that this product cannot be compromised or circumvented. THE EXTENT OF THE COMPANY'S LIABILITY UNDER THIS WARRANTY IS LIMITED TO THE REPAIR OR REPLACEMENT PROVIDED ABOVE AND, IN NO EVENT, SHALL THE COMPANY'S LIABILITY EXCEED THE PURCHASE PRICE PAID BY

Audiovox Electronics Corporation, 150 Marcus Blvd., Hauppauge, New York 11788 • 1-800-645-4994

128-7075C

© 2008 Audiovox Electronics Corp., 150 Marcus Blvd., Hauppauge, N.Y. 11788



For Customer Service
Visit Our Website At
www.audiovox.com
Product Information, Photos,
FAQ's Owner's Manuals

