

Black and White Video Camera

Operating Instructions

Before operating the unit, please read these instructions thoroughly and retain them for future reference.

Mode d'emploi

Avant de faire fonctionner cet appareil, lisez attentivement le présent mode d'emploi et conservez-le pour toute référence ultérieure.

Manual de instrucciones

Antes de utilizar la unidad, lea las instrucciones con atención y consérvelas para su consulta en el futuro.

**Hyper HAD™
SSC-MX34**

Cautions for installing the camera

If installing the camera on the ceiling, be sure it is secure. If not securely installed, the camera may fall and injury may occur.

If the camera is installed on the ceiling using equipment such as a bracket, housing and motored swivel base (pan/tilt), do the following:

- Use tripod screws and securely tighten them with a driver. Order the tripod screws (Sony Part No. 3-174-693-01) from your nearest Sony dealer.
- Install the tripod adapter on a flat surface.

Connections

D

Connect the camera to a power outlet, only after all connections have been completed.

Using an internal synchronization

- ① Set the SYNC switch to INT (internal synchronization).
- ② 75-ohm coaxial cable
- ③ Connect with VIDEO IN connector on a video monitor, etc.
- ④ to power supply (AC 24 V)
- ⑤ Power cord

When using the LINE LOCK mode, set the SYNC switch ⑧ to L.L (line lock) and make connections as above.

When zoom, focus and the iris are controlled externally

- ① To lens control terminal
- ② Custom cable supplied with camera
- ③ To external control device

Cautions

- When controlling the iris externally, set the auto iris ON/OFF switch ⑭ to "OFF". Iris control using this connector will not work if the auto iris is ON.
- If you control the lens using external control device, the shortest subject distance is fixed at 800 mm regardless of the zoom position.

⑱ VIDEO OUT connector (BNC)

⑲ Ground terminal

⑳ AC 24 V input terminals

㉑ 12V/6V switch

When using the lens control connector ⑰ to control the focus, zoom, and iris from an external source, set this switch to match the input voltage (± 12 V or ± 6 V).

㉒ NORM/REV switch

Use this switch whether the external input voltage is + or -, to change the direction of the focus, zoom and iris movement. Use the following table for reference.

Function Voltage Switch position	Zoom		Focus		Iris	
	+	-	+	-	+	-
NORM	Wide	Tele	Far	Near	Close	Open
REV	Tele	Wide	Near	Far	Open	Close

Phase Adjustment

E

When using more than one camera, connect to a camera switcher and set the vertical phase range as follows:

- ① Camera switcher
- ② Monitor
- ③ Vertical phase
- ④ Adjustable range

Vertical phase

The picture may roll vertically if the vertical phase is not set. To adjust the vertical phase, turn the V PHASE screw at the back of the camera.

⑰ Lens control connector

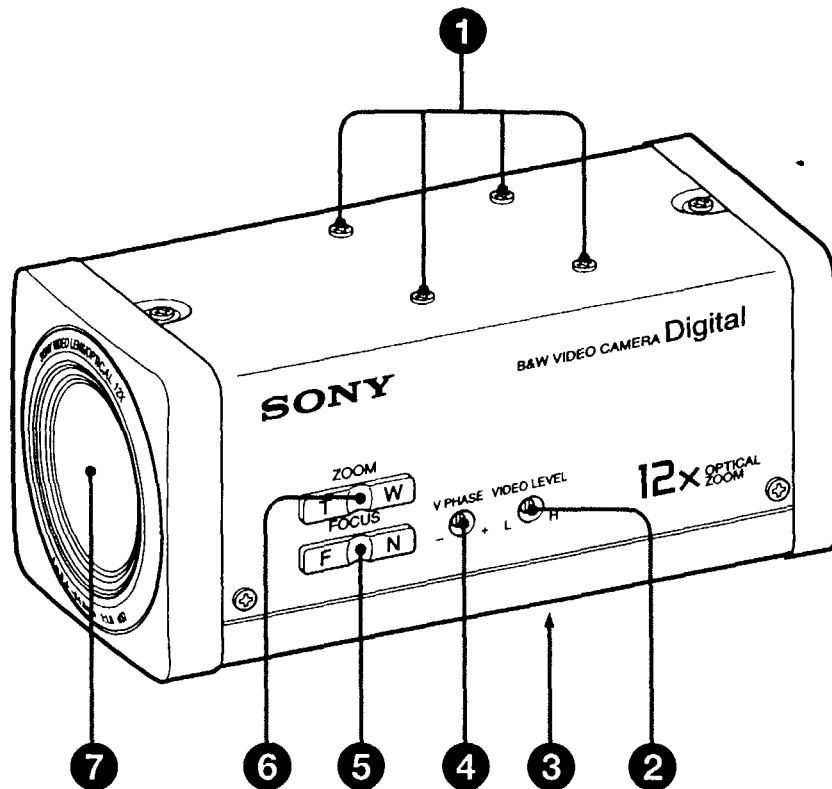
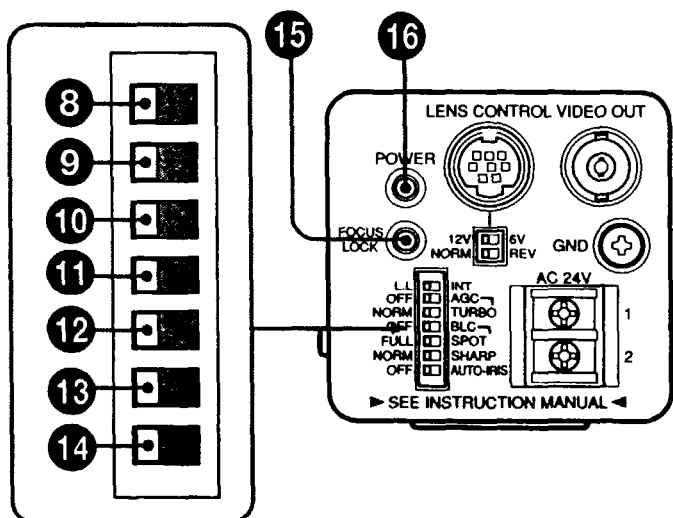
To control the lens (focus, zoom, and iris) externally, connect the cable supplied with the camera to this connector.

The pin numbers of this connector, the color-coding of the cable, and the corresponding input/output signals are as shown in the below table. Identify the colored conductors of the cable prior to connecting them to each of the external control device terminals. (Refer to Illustration **C-17** for pin positions.)

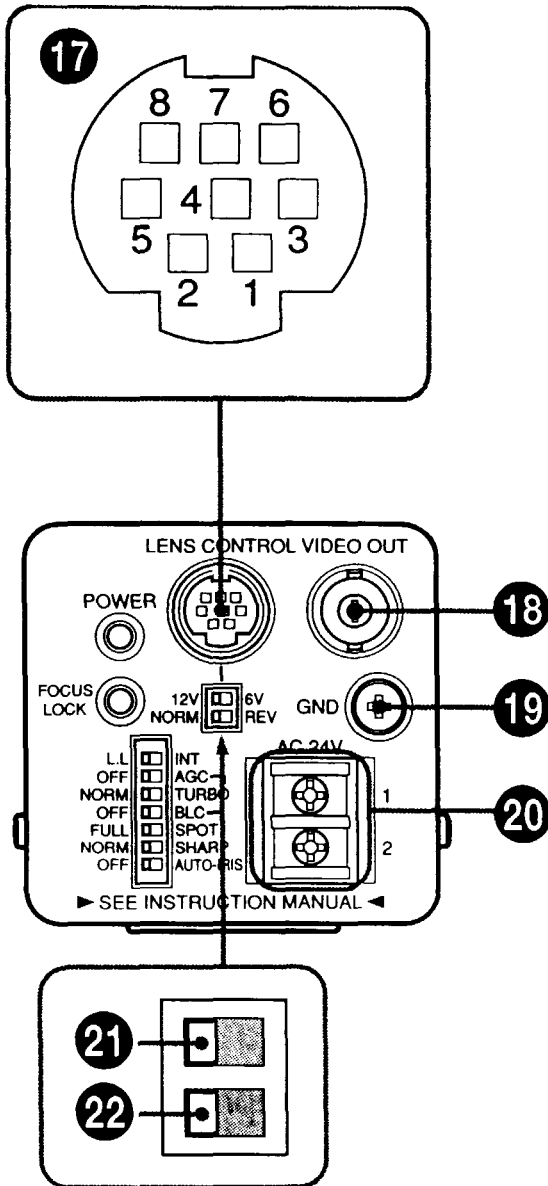
Pin No.	Cable colors	In/output signal
1	Red	Preset voltage input (+)
2	White	Preset voltage input (-)
3	Black	Zoom position voltage output*
4	Yellow	GND
5	Blue	Focus position voltage output*
6	Green	Focus control voltage input
7	Brown	Zoom control voltage input
8	Gray	Iris control voltage input

* When the zoom position is moved to the "W (wide-angle)" side, the positional output voltage increases; when it is moved to the "T (telephoto)" side, the voltage decreases.

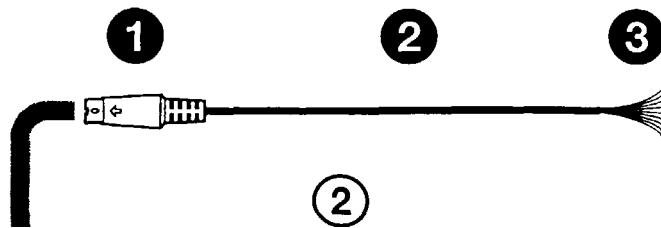
When the focus position is moved to the "F (far)" side, the positional output voltage increases; when it is moved to the "N (near)" side, the voltage decreases.

A**B**

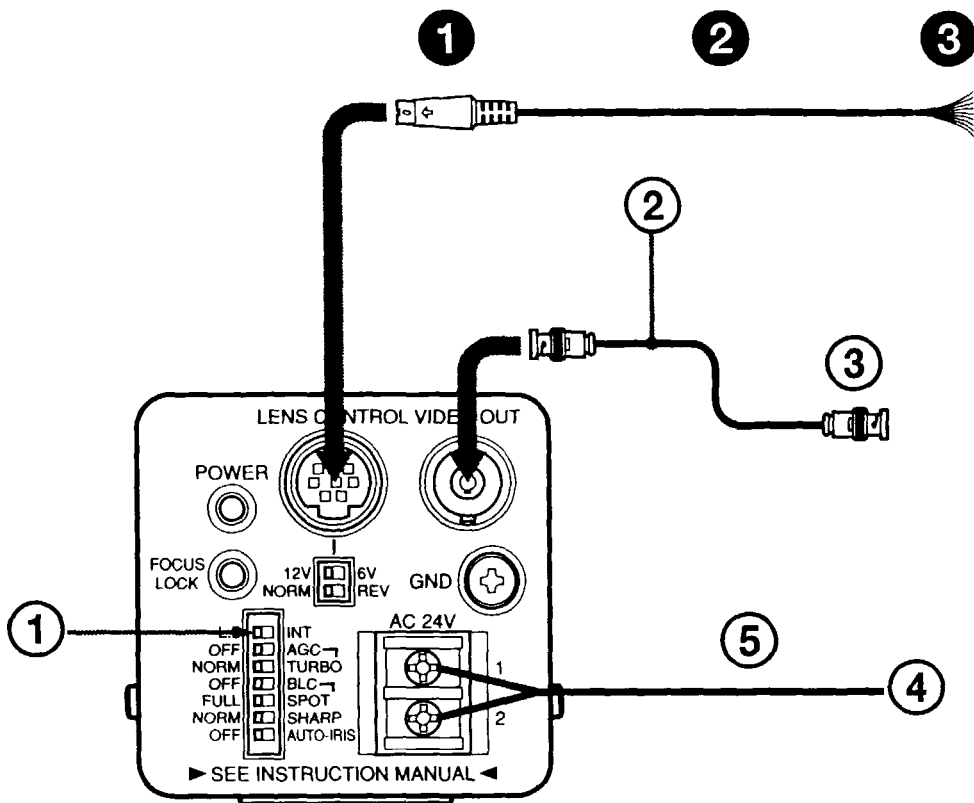
C

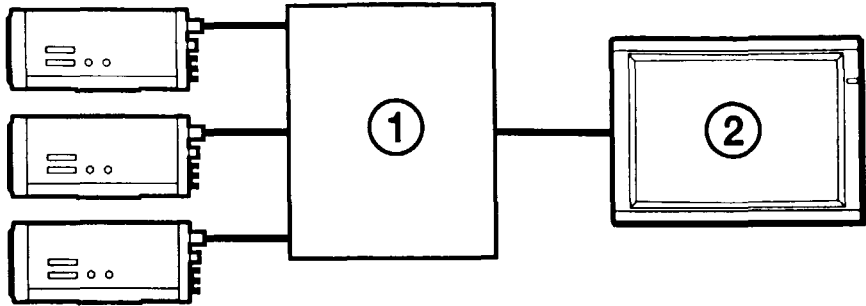


D

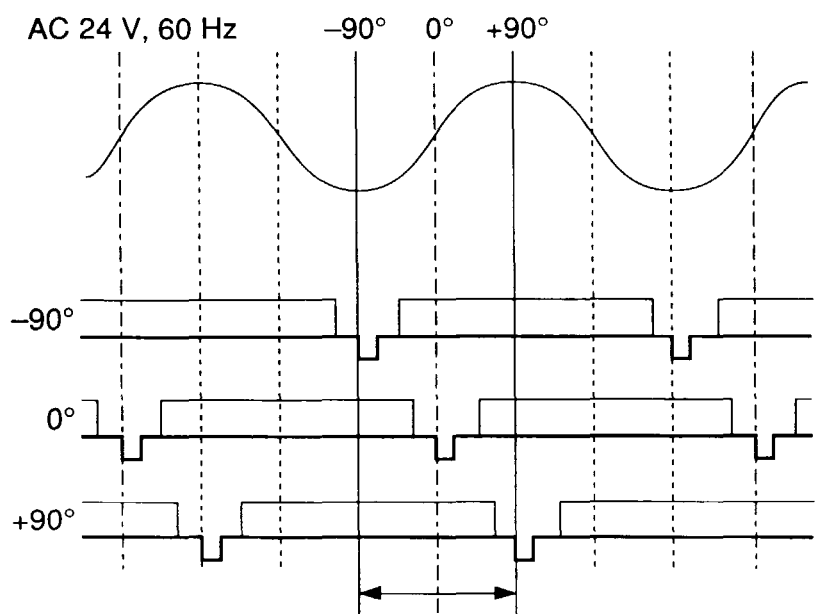


D





③



④

Specifications

Image device	1/3" interline transfer type CCD
Effective pixels	768 (H) × 494 (V)
Signal system	EIA standard
Signal process	Digital signal processor
Synchronization system	Internal/line-lock
Horizontal resolution	570 TV lines
Built-in lens	×12 zoom lens f = 5.4 mm to 64.8 mm, F1.8 to F2.7
Angle of view	H: 48.8 degrees (wide end) to 4.3 degrees (tele end) V: 37.6 degrees (wide end) to 3.3 degrees (tele end)
Shortest subject distance	10 mm (wide end), 800 mm (tele end)
Focus	Manual (One-push AF available)
Lens control	DC voltage control: ± 6 V / ± 12 V (switchable) Preset voltage input: 5 Vp-p to 12 Vp-p (Zoom/focus preset function by the external control device)
Control voltage polarity	Normal/Reverse (switchable)
Minimum illumination	0.4 lux (F1.8, 50 IRE, AGC: ON, TURBO: ON)
Video output	1 Vp-p, 75 Ω, Sync.: Negative
Video S/N	50 dB (Weight ON)
Automatic gain control (AGC)	Switchable: ON (TURBO)/ON (NORM)/OFF
Iris	Auto/manual
BLC	Switchable: ON (FULL)/ON (SPOT)/OFF
Aperture	Switchable: NORM/SHARP
Power requirements	24 V AC
Power consumption	5.1 W
Operating temperature	-10°C to +50°C (14°F to 122°F)
Operating humidity	20% to 80%
Storage temperature	-40°C to +60°C (-40°F to +140°F)
Storage humidity	20% to 95%
Shock resistance	70 G
Mass	Approx. 520 g (1 lb 2 oz)
Dimensions	60 × 60 × 129.5 mm (2 3/8 × 2 3/8 × 5 1/8 inches) (w/h/d) (Excluding protruding parts)
Supplied Accessories	Tripod adaptor (1) Custom cable (1) Operating Instruction (1)

Design and specifications are subject to change without notice.