

LT-46244

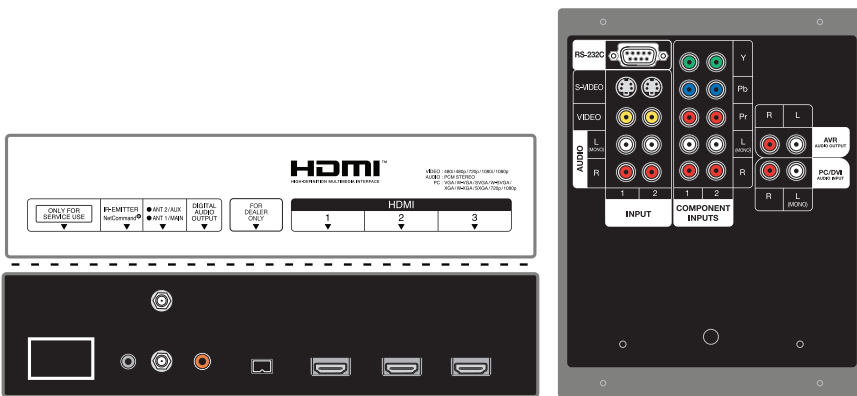
1080p Flat Panel LCD HDTV



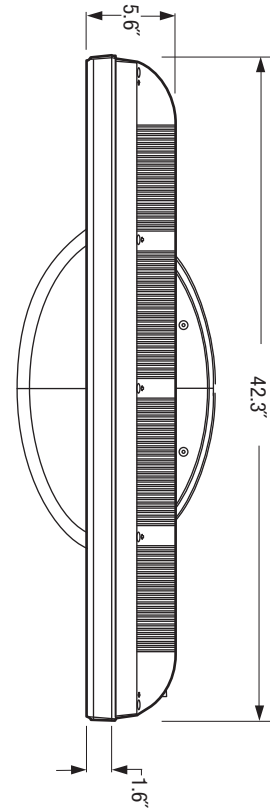
OVERALL DIMENSIONS (Approx.)

Height	Height w/base	Width	Depth	Depth w/base	TV Weight	Power Consumption
29"	N/A	42.3"	5.6"	N/A	86 lbs	325 W

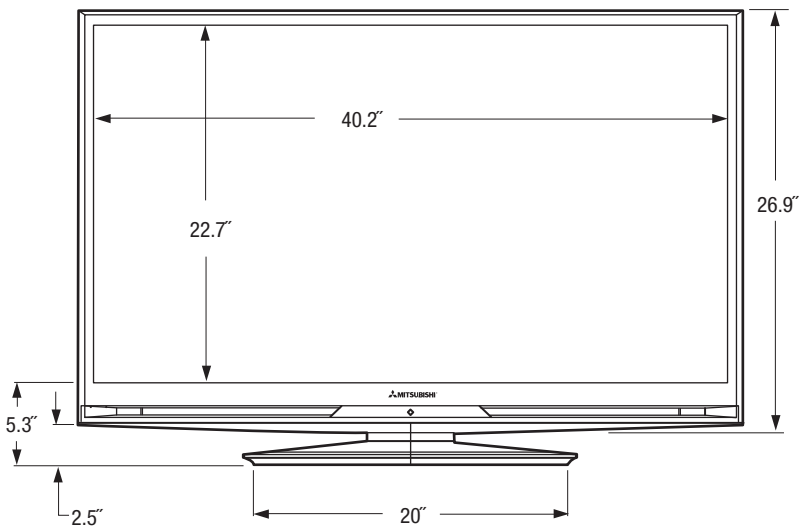
BACK PANEL



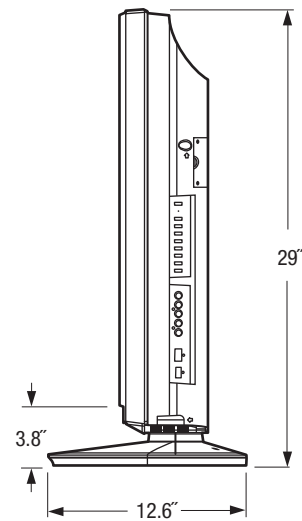
TOP



FRONT



LEFT SIDE



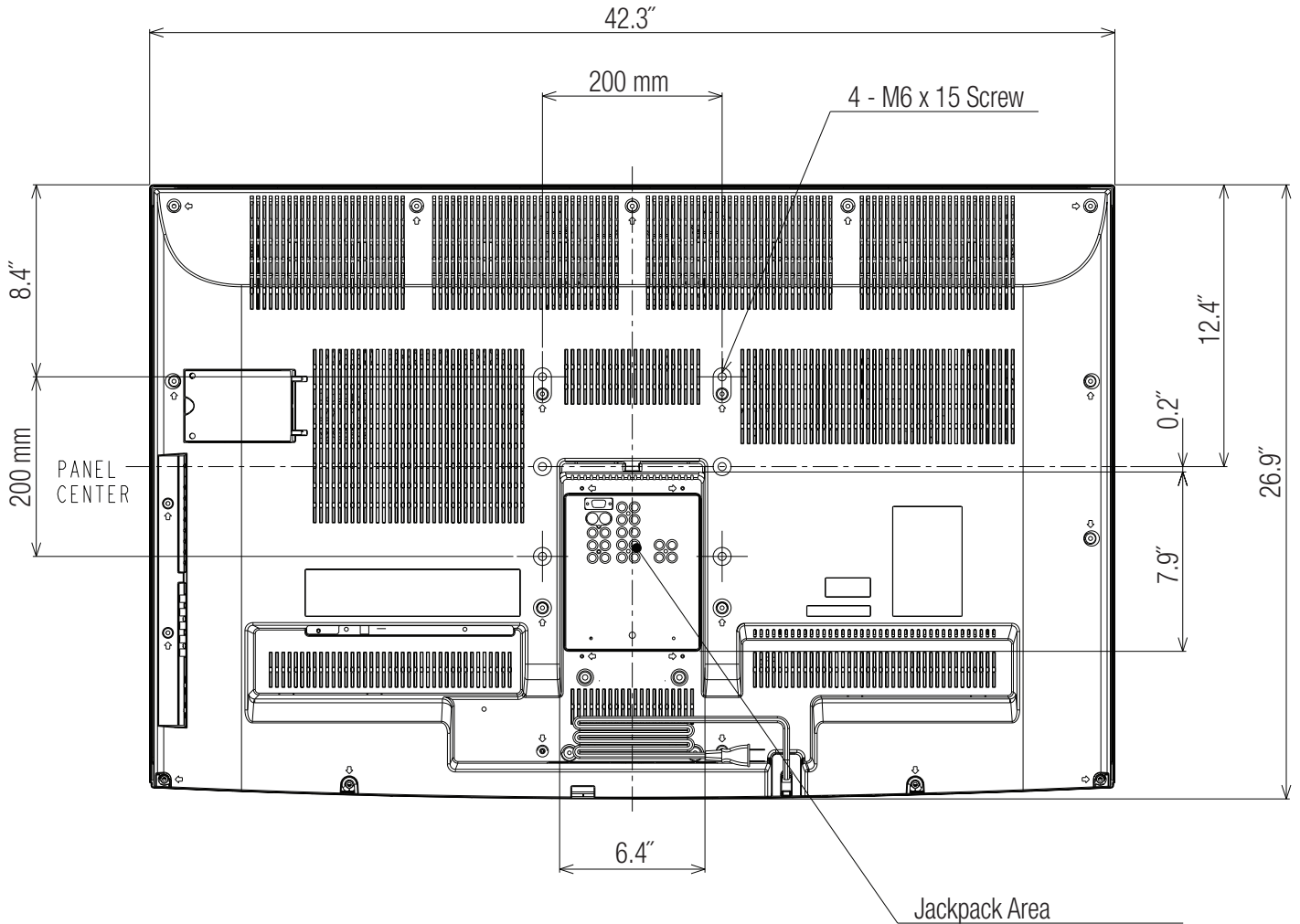
Note: Illustrations not necessarily to scale. Descriptions and specifications subject to change without notice. The dimensions are approximate for general information when deciding the locations and placements of the product. When creating a custom-built environment for this product, please take exact measurements from the specific unit to be installed before doing any finished carpentry. When installing the unit, allow for air circulation, ventilation, and variations due to manufacturing tolerances. The cosmetic appearance of the product may vary from that depicted here. Not responsible for typographical or printed errors.

LT-46244

1080p Flat Panel LCD HDTV



WALL-MOUNT SCREW HOLE LOCATION



Note: Illustrations not necessarily to scale. Descriptions and specifications subject to change without notice. The dimensions are approximate for general information when deciding the locations and placements of the product. When creating a custom-built environment for this product, please take exact measurements from the specific unit to be installed before doing any finished carpentry. When installing the unit, allow for air circulation, ventilation, and variations due to manufacturing tolerances. The cosmetic appearance of the product may vary from that depicted here. Not responsible for typographical or printed errors.