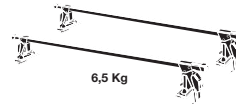


Thule System Kit 137

HYUNDAI Pony/Excel 4-dr, 90-

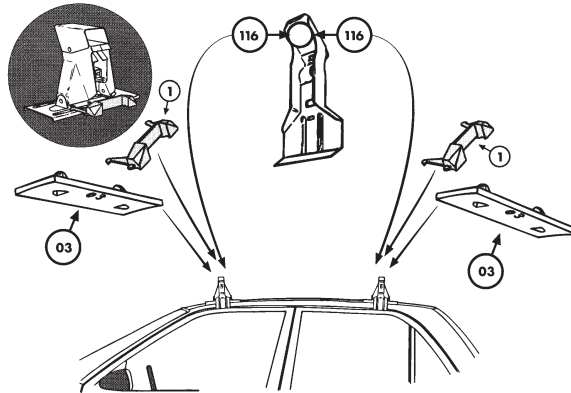


Front

Rear

800 mm / 31 1/2 inch

790 mm / 31 1/8 inch



A.

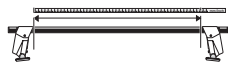
B. Fäst blecket med skruven.
Fester the bracket with the screw.
Halteklammer verschrauben.
Fixer la ferrure avec la vis.
Bevestig de plaat met behulp van de schroef.
Kiinnitä metallilevy ruuvilla.
Sujetar la chapa con el tornillo.
Fissare la piastra con la vite.

C.

Tryck
Press
Drücken
Druk
Paina
Apretar
Premere

D. Skruva fast lasthållaren växelvis.
Screw the foot carrier into position alternating between the feet.
Den Lastenträger abwechselnd an beiden Seiten festschrauben.
Serrer le porte-bagage alternativement.
Haal afwisselend de beide voeten van het instrument op het goed vast zit.
Ruuvaa taakkariteineen jätät kiinni vuorotellen.
Fijar el portabultos apretando los tornillos alternativamente.
Serrare in posizione il portabagagli, agendo alternativamente sui piedini.

HYUNDAI Pony/Excel 3-dr, 90-

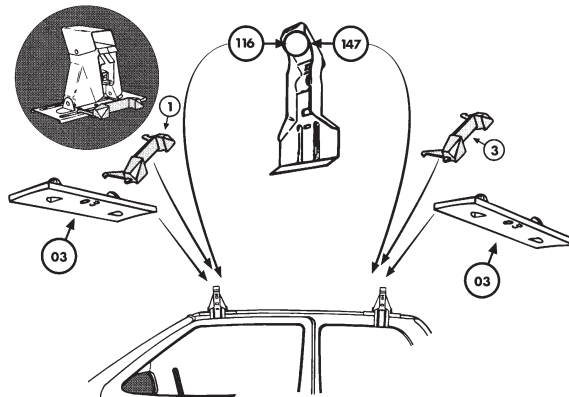


Front

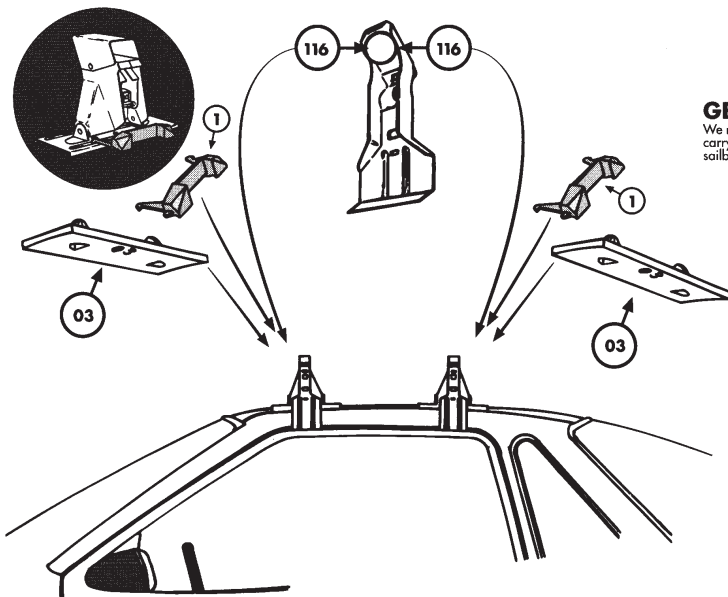
Rear

795 mm / 31 1/4 inch

835 mm / 32 7/8 inch

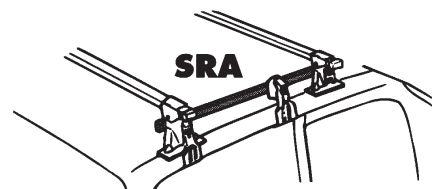


HYUNDAI Scoupe



GB ATTENTION!

We recommend use of the THULE SRA part no. 377. Designed exclusively to maximise carrying capacity and versatility by spreading the bars equally so that loads such as sailboards, bicycles and small craft can be secured easily.



795 mm / 31 1/4 inch