

60" CLASS (59.5" DIAGONAL)

60PC1DC

PLASMA TV

Plasma Widescreen Commercial HDTV



BUILT-IN TUNERS
ATSC/NTSC/QAM Clear

PUBLIC DISPLAY SETTINGS
Cloneable with TVLink-Loader

NATIVE DISPLAY RESOLUTION
1366 x 768

CONTRAST RATIO
7,000:1

HIGH BRIGHTNESS
1,200 cd/m²

2 HDMI™ INPUTS WITH HDCP

LG'S EXCLUSIVE XD ENGINE™

2 YEAR LIMITED WARRANTY
(parts/labor)

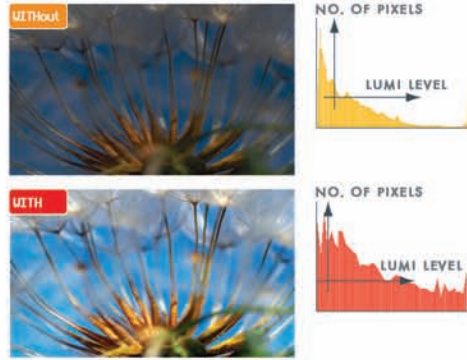
www.LGcommercial.com



XD ENGINE

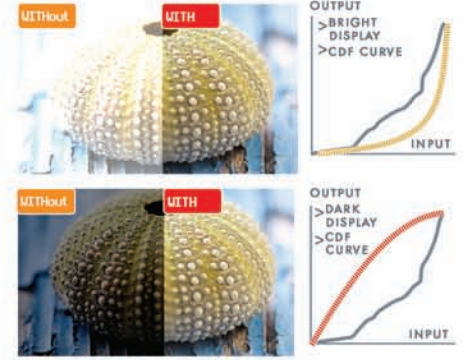
SHARPER
BRIGHTER
CLEARER

ULTRA CONTRAST
AT A BLAZINGLY FAST 370 MILLION PIXELS PER SECOND, THE PROCESSOR USES A HISTOGRAM ANALYZATION TOOL TO CLARIFY THE IMAGE DATA ACCORDING TO SIGNAL BRIGHTNESS LEVELS.



Dramatization

DYNAMIC BLACK STRETCH
THE MINIMUM BLACK LEVEL OF AN IMAGE IS AUTOMATICALLY DETECTED AND ADJUSTED ACCORDING TO BRIGHTNESS.



Dramatization

OPTIONAL ACCESSORIES



TLL-1100A TVLink-Loader

By using the handheld, rechargeable TVLink-Loader, the installer can "clone" the Public Display Settings from one TV and then transfer this information quickly to many other TVs that have this feature.

FEATURE

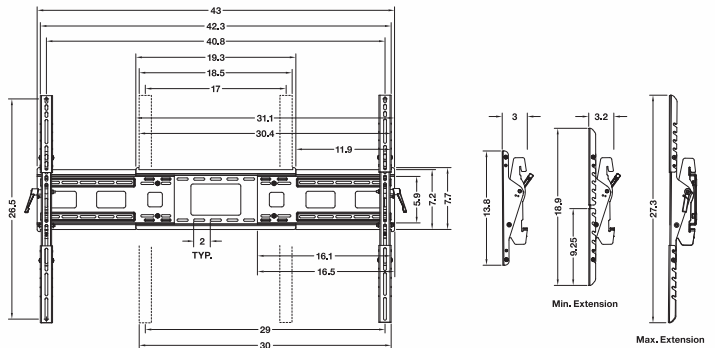
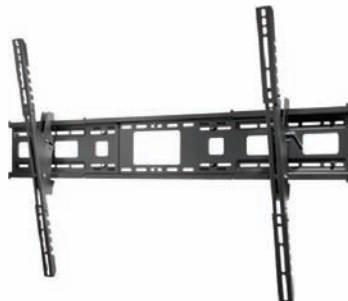
Public Display Settings	
Public Display Mode	No
Start Channel	No
Ch. Type	TV
Major	2
Minor	0
Minimum Volume	0
Maximum Volume	100
Start Volume	No
Level	20
Power Management	No
Setting	1
Key Management	0
Factory Reset	0
Aspect Ratio	0

PUBLIC DISPLAY SETTINGS CLONING CAPABLE WITH TVLink-Loader

When used in public areas, these HDTVs can be easily programmed by the installer to have the TV turn on at a specified channel/volume level, set the minimum/maximum volume, lock out the control panel/remote, set the aspect ratio, and return to a factory reset. By using Power Management, these displays can be programmed to turn off if there has been no activity (remote or control panel buttons) for a preset time (1-7) hours.

PWMT300 FIXED OR TILTING WALL MOUNT

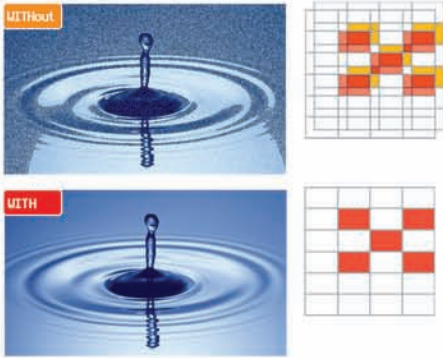
- Fits most LG 23" to 60" flat panel screens
- Easily expandable adapter brackets and wall plate
- Adjustable tilt of +15°/-5° for viewing flexibility
- Intuitive design for easy installation
- Security and standard screws included
- Portrait/landscape capability with mounting hole patterns up to 41" (W) and 26.37" H
- For mounting to wood studs, solid concrete, or cinder block only



The PWMT300 is a Peerless® mount that is available for order at LG Electronics USA, Inc.

CLEAR SCREEN

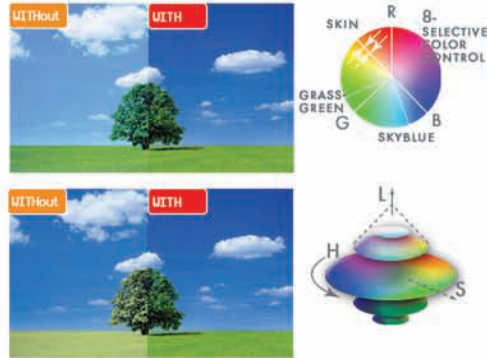
USING THE NOISE FILTER INSIDE THE XD ENGINE CHIP, THE IMAGE IS ANALYZED FOR TEMPORAL AND SPATIAL INFORMATION TO REDUCE MPEG NOISE.



Dramatization

ADVANCED VIVID COLOR

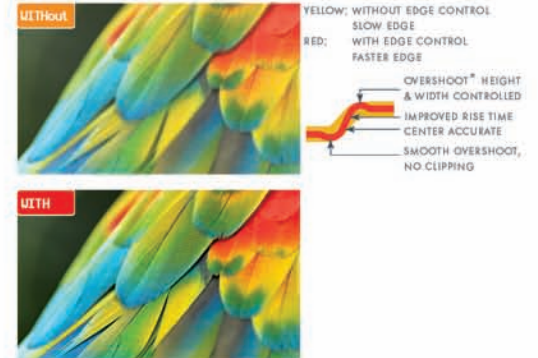
COLORS THAT ARE SENSITIVE TO THE HUMAN EYE ARE OPTIMIZED TO THE NEAREST TRUE COLOR BY THE SELECTIVE COLOR CONTROL.



Dramatization

INTELLIGENT EDGE CONTROL

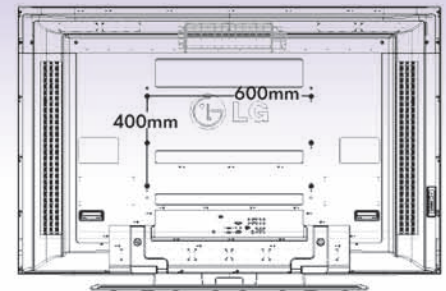
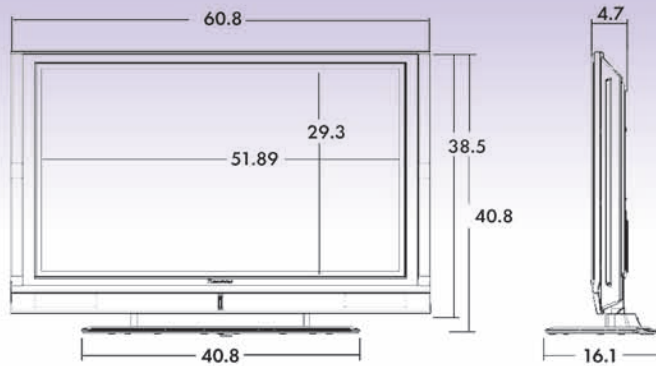
EDGE LINES ARE EMPHASIZED BY IMPROVING THE TRANSITION FROM THE BACKGROUND TO THE MAIN OBJECT.



Dramatization

DIMENSIONS

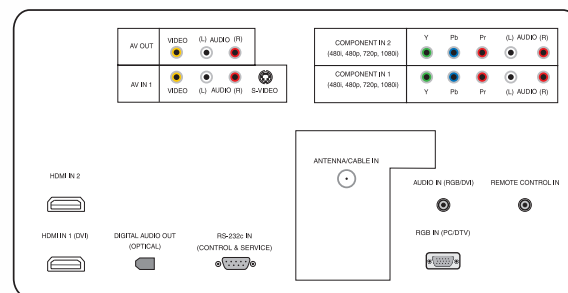
60PC1DC



REMOTE CONTROL



REAR JACK PACK PANEL



SIDE JACK PACK PANEL



60PC1DC 60" CLASS (59.5" DIAGONAL)

SPECIFICATIONS

PLASMA MODULE

PDP Panel Type	60"
Display Area	59.5" diagonal
Native Display Resolution	1366 × 768
Contrast Ratio	7,000:1
Brightness	1,200 cd/m ²
Fluid Motion (180Hz Effect)	Yes, Ensures a smoother cleaner picture
Life Span (approx.)	60,000 hours to Half Brightness
High Contrast Screen w/Non-Glare Coating	Glass Filter
Viewing Angle (H/V)	Over 160°

VIDEO

ATSC/NTSC/QAMClear Tuners	Built-in
Digital Comb Filter	3D Y/C
Color Temperature Adjustment	4 Modes
3:2 Pulldown Cinema Correction	480i Only
Aspect Ratio Adjustment	6 Modes
EZ Video/Picture Selection Modes	5 Modes
XD Engine	Yes
Black Stretcher (Black Level Enhancer)	Yes
DTV Signal Strength Indicator	Yes
Displayable Colors	1.07 Billion
Image Sticking Minimization	White Wash, Pixel Orbiter, Inversion
Decoder Format	MPEG-2
Pixel Pitch	966µm (H) × 966µm (V)
DLTI (Digital Luminance Transient Improver)	Yes
DCTI (Digital Color Transient Improver)	Yes

REAR INPUTS

Antenna/Cable In (RF)	1
HDMI with HDCP (DVI with Adapter)	2
Composite Video & Audio L/R In	1
S-Video In	1
Component HD/DVD & Audio L/R In	2
RGB In (PC/DTV Input)	1
Audio In (RGB/DVI with Adapter)	1
RS-232C In (Control/Service)	1
Remote Control In (IR)	1
USB	1 (Service)

REAR OUTPUTS

Composite Video & Audio L/R Out	1
Digital Audio Out (Optical)	1

SIDE INPUTS

Composite Video & Audio L/R In	1
S-Video In	1

UPC 7 9192 17256 2

AUDIO

Audio Output Power	20W (10W × 2)
Speaker System Details	2 Way 4 Speaker
Surround System Type	SRS TruSurround XT [®]
Mono/MTS Stereo/SAP	Yes
EZ Sound/Sound Selection Mode	6 Modes
Mute	Yes
EZ SoundRite (Auto Volume Leveler)	Yes
Bass/Treble/Balance	Yes
3D EchoSound System	Yes

SPECIAL FEATURES

Custom Input Labels	Yes
Trilingual Menus	English, Spanish, French
EZ Menus (High Performance Interface)	Yes
EZ Scan (Auto Channel Programming)	Yes
Favorite Channel Selection/Surf	Yes
Flashback (Previous Channel)	Yes
Closed Caption	Yes
Intelligent Fan Control	Yes
Parental Control w/V-Chip	Yes
On / Off Timer	Yes
Sleep Timer	Yes (10 min. to 240 min.)
Auto Off (When no video is present)	Yes (After 10 minutes)
Auto Clock/Manual Clock	Yes
Auto Input Detect	Yes
Channel Block	Yes
Discrete IR Codes	Yes
1080p Source Input	Yes

CABINET

Cabinet Style	Table Top
Table Stand Included	Yes
Cabinet Color	Black
Stand Color	Black
Dimensions with Stand (W × H × D)	60.8" × 40.8" × 16.1"
Without Stand (W × H × D)	60.8" × 38.5" × 4.7"
Packaging (W × H × D)	67.2" × 45.7" × 20.3"
Weight w/Stand	163.1 lbs (73.9 Kg)
Weight w/o Stand	137.3 lbs (62.3 Kg)
Weight with packaging	189.2 lbs (85.8 Kg)
VESA™ Compatible	600mm × 400mm, M8 Screw

OPERATING ENVIRONMENTS

Storage Temperature Range	-4° F to 140° F (-20° C to 60° C)
Storage Humidity Range	under 85%
Altitude	under 2,000m (under 6,561 ft.)
Operating Temperature	32° F to 104° F (0° C to 40° C)
Operating Humidity Range	under 80%

REQUIRED LISTING

UL, c-UL, FCC	Yes
RoHS Compliant	Yes

SERVICE/LIMITED WARRANTY 2 Years Parts/Labor

ACCESSORIES

Supplied accessories	Owners Manual
	Power Cord (6 foot)
	LG Universal Remote Control
	75Ω Round Cable (10 foot)

COMPATIBLE FORMATS

HDTV, NTSC, VGA, SVGA, XGA	Yes
Maximum Computer Resolution (RGB)	1366 × 768

POWER

Power Consumption	700 Watts / 3 Watts in Standby
Power Source	AC 100 - 240V ~ 50 / 60 Hz
ENERGY STAR [®] Compliant	Yes

www.LGcommercial.com



LG Electronics U.S.A., Inc.
Commercial Products Division
2000 Millbrook Drive,
Lincolnshire, IL 60069

Customer Service: 888.865.3026

Contact your LG Regional Sales Representative:

B2B: 800.897.8788

Hospitality: 800.228.1236

Channel Markets: 800.897.8871

SPEC_60PC1DC.LG070818_PR



All screen images are simulated. Dimensions and weights are approximate. Design, features and specifications subject to change without notice.

© Copyright 2008 LG Electronics USA, Inc. All Rights Reserved. "LG Life's Good" is a registered trademark of LG Corp. Dual XD Engine is a trademark of LG Electronics USA, Inc.

HDMI, the HDMI Logo and High-Definition Multimedia Interface are trademarks or registered trademarks of HDMI Licensing LLC. VESA is a trademark of Video Electronics Standards Association. ENERGY STAR is a registered trademark of the U.S. Environmental Protection Agency. Peerless is a registered trademark of Peerless Industries, Inc. All other product and brand names are trademarks or registered trademarks of their respective companies. TruSurround XT and SRS are trademarks of SRS Labs, Inc.

Printed in the USA. July 2008