



# Battery Powered Smoke Alarm with Safety Light

- **Model 0918**
- **Part Number 440376 (Carbon Zinc Battery)**  
**440398 (Lithium Battery)**

## Safety Light

Illuminates when alarm sounds to guide your way to safety

## Hush® Feature

Temporarily silences nuisance alarms

## Test Button

Tests unit's electronic circuitry, horn, safety light and battery function

## Red LED

Flashes every 30-40 seconds to indicate that the smoke alarm is operating



## Description

The Kidde 440376 is a battery operated, ionization smoke alarm with a safety light that helps guide your way to safety. This unit is designed to alert you and your family to the dangers of smoke and fire. The 440376 includes a 9V battery that powers the smoke alarm, along with an additional 9V battery to power the safety light. This easy to install smoke alarm is UL Listed and offers a 5-year limited warranty.

## Consumer Benefits

The Kidde 440376 battery operated smoke alarm with a safety light provides you and your family an early warning signal in the event of a smoke or fire incident. The illumination of the safety light helps guide your way to safety when dense smoke is present. The 440376 includes a Hush® feature that temporarily silences nuisance alarms along with a test button that allows you to test the alarm's electronic circuitry, horn and battery function. This smoke alarm is particularly useful in hallways and near exits.

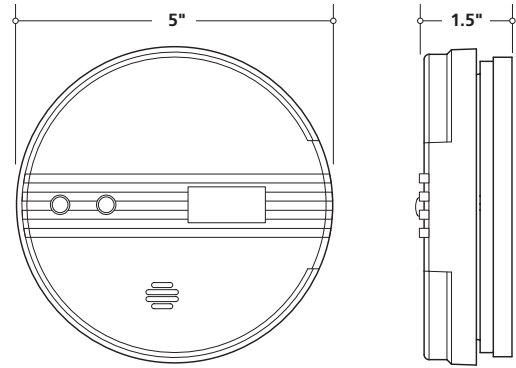
## Features and Benefits

- **Safety Light** – Illuminates when alarm sounds to guide your way to safety.
- **Hush® Feature** – Temporarily silences nuisance alarms.
- **Red LED** – Flashes every 30-40 seconds to indicate that the smoke alarm is operating.
- **Test Button** – Tests unit's electronic circuitry, horn, safety light, and battery function.
- **Battery Operated (Includes 2 9V batteries)** – Protects even during power outages.
- **Tamper Resist Locking Pin** – Helps deter from theft or tampering.
- **Low Battery Indicator** – Smoke alarm will chirp in the event of a low battery.



## Technical Specifications

UPC:	0-47871-40376-9
Power Source:	Two (2) 9V Batteries (included)
Audio Alarm:	85dB at 10ft
Temperature Range:	40°F to 100°F (4°C to 38°C)
Humidity Range:	5%-95% relative humidity (RH)
Sensor:	Ionization
Size:	5" in diameter x 1.5" depth
Weight:	1lb
Interconnects:	No
LED:	Red, normal operation
Warranty:	5 year limited



## Ordering Information

Clamshell UPC: 0-47871-40376-9

**Includes 9V Carbon Zinc Battery**

Part Number	I 2 of 5	Pack Quantity	Dimensions (w x d x h inches)	Weight	Case/Skid	Layers/Skid	Skid Weight
440376**	N/A	Individual	7.5 x 1.87 x 11.25	1lb	N/A	N/A	N/A
44037602	100 47871 40376 6	PDQ (3 units)	7.75 x 6 x 11.75	3lbs	105	3	315lbs
440376-020	200 47871 40376 3	Cut Case (20 units)	16 x 20.75 x 11.75	20lbs	18	3	360lbs
440376-060	300 47871 40376 0	Power Tower (60 units)	20 x 24 x 39.25 (incl. pallet)	60lbs	3	3	60lbs

\*\*Not for sale by individual unit



## Ordering Information

Clamshell UPC: 0-47871-40398-1

**Includes 9V Lithium Battery**

Part Number	I 2 of 5	Pack Quantity	Dimensions (w x d x h inches)	Weight	Case/Skid	Layers/Skid	Skid Weight
440398**	N/A	Individual	7.5 x 1.87 x 11.25	1lb	N/A	N/A	N/A
44039802	100 47871 40398 8	PDQ (3 units)	7.75 x 6 x 11.75	3lbs	105	3	315lbs
440398-060	300 47871 40398 2	Power Tower (60 units)	20 x 24 x 39.25 (incl. pallet)	60lbs	3	3	60lbs

\*\*Not for sale by individual unit



1394 South Third Street, Mebane NC 27302  
1-800-880-6788 • www.kiddeus.com

**Distributed by:**