

AIR BOSS® M2500-M3000-M6000



Media and Adsorption Air Cleaner

ENGINEERED SOLUTIONS FOR CLEAN AIR

Trion's AIR BOSS media units are industrial air cleaners designed for both general ventilation (removal of airborne pollutants from plant atmospheres) or source capture (ductwork or arms positioned at the origin of pollutants). These units help solve welding smoke, oil mist, rubber dust, diesel smoke, grinding dust, numerous gases/odors and many other indoor air pollution problems.

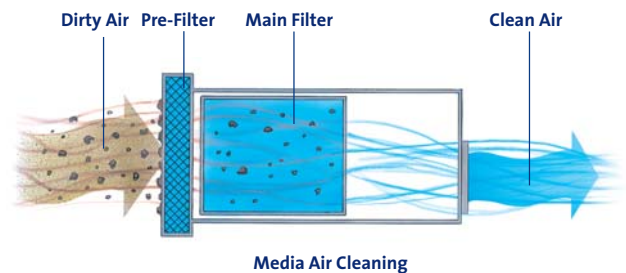
FEATURES/BENEFITS

- Straight through or side discharge — ability to better control airflow (M3000 & M6000)
- Odor and High Efficiency Filters — from HEPA and adsorber modules to mini-pleat filters (194/388 sq. ft.) for maximum efficiency and effectiveness (M3000 & M6000)
- Belt driven blower with variable pitch sheave — providing adjustment for precise CFM operating range (M3000 & M6000)
- Collects wet or dry particulates — providing versatility in a wide range of applications (M3000 & M6000)
- High static blower packages — capacity for additional external static offers more contaminant pickup points (optional for M3000)



M6000

PRINCIPLE OF OPERATION



Media Air Cleaning

HOW IT WORKS

Trion's Air Boss Media Series uses the Interception Filtration Principle. Dirty, polluted air is drawn through the pre-filter to remove larger dust particles. The second stage, micro-glass deep pocket media filter removes submicron particles from the air stream by interception. The small diameter fibers in the filter intercept and retain these small particles while the large surface area of the filter gives long life and low pressure drop. The blower is designed specifically to handle the filtration system at rated CFM over the useful life of the filter.

TRION®
air purification systems

AIR BOSS® M2500-M3000-M6000



SPECIFICATIONS	M2500	M3000	M6000
Dimensions	47" L x 25" W x 25" H	68" L x 25" W x 26.25" H	73.5" L x 49" W x 30" H
Installation	Suspended, Wall or Frame Mounted		
Weight	180 lbs./Shipping 250 lbs.	260 Lbs./Shipping 330 lbs.	610 Lbs./700 lbs.
Electrical: Standard	.75HP: 120VAC/60/1ph 10.5 Amps	2 HP: 208-240/480/60/3ph 5.8/2.9 Amps	7.5 HP: 208-240/480/60/3ph 19.8/9.9 Amps
Optional	N/A	2 HP: 575/60/3ph 3 HP: 208-240/480/60/3ph-9.1/4.6 Amps 3 HP: 575/60/3ph	5HP: 208-230/460/60/3ph 13.4/6.7 Amps 5 HP: 575/60/3ph 7.5 HP: 575/60/3ph
Motors: Standard	Thermally protected	TEFC, Ball Bearings 1740 RPM (standard); 3450 RPM (optional)	TEFC, Ball bearings 1740 RPM (standard); 3450 RPM (optional)
Blowers: Standard	Direct drive, forward curved	Belt drive, forward curved	Belt drive, forward curved
Optional	N/A	Belt drive, backward inclined, airfoil, 3HP high static	N/A
Air Volume (CFM)	1240-2010	1300-3300 (factory set 3000) Throw distance: 70 ft.	3500-7100 (factory set 6000) Throw distance: 80 ft.
Controls	3-speed selector switch	Motor starter (optional)	Motor starter (optional)
Sound Rating	50-70 dB @ 5 ft.	74 dB @ 5 ft.	80 dB @ 5 ft.
Filters: Pre	4 inch 35% pleated (standard) Polyester pad (optional) 3-way wrap around (optional)	4 inch 35% pleated (standard) 2 inch aluminum mesh (optional) 2 inch impinger (optional) 3 way wrap around (optional)	2 ea. 4 inch 35% pleated (standard) 2 ea. 2 inch aluminum mesh (optional) 2 ea. 2 inch impinger (optional)
Primary	95% Bag filter (standard) 65% Bag filter (optional)	95% bag filter (standard) 65-95% extended surface (optional) 99.97% HEPA (optional)* 2 ea. Adsorber Modules (optional)* (25 lbs. carbon each)	2 ea. 95% bag filter (standard) 2 ea. 65-95% extended surface (optional) 2 ea. 99.97% HEPA (optional)* 4 ea. Adsorber Modules (optional)* (25 lbs. carbon each)
Secondary	N/A	95% short bag (optional)*	2 ea. 95% short bag (optional)*
Gauge Kit (Optional)	Manometer or Magnehelic to indicate when filters need changing		
Silencer (Optional)	NA	Reduces sound to 72.5 dB.	Reduces sound to 78 dB.

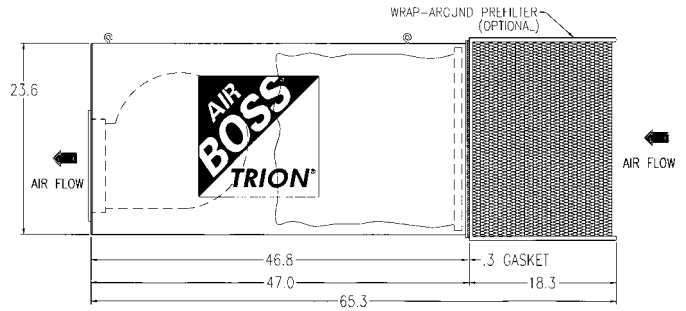
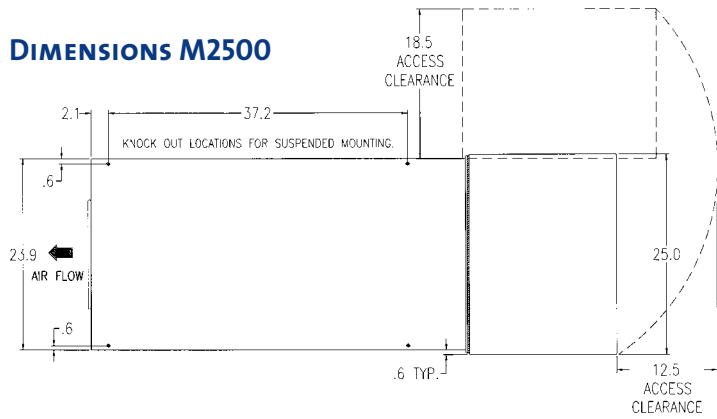
*secondary filter typically used with HEPA and Adsorber Modules

STANDARD SPECIFICATIONS FOR EACH UNIT

Cabinet	16 and 18 gauge galvanized steel
Finish	Pearl white epoxy, baked on, oil resistant
Air Flow	Horizontal — right to left or left to right, optional side discharge (M3000 & M6000)
Filter Access	Hinged doors — M3000 & M6000. End loading — M2500.
Drain	Prefilter & main filter drain (M2500 - no drain)
Plenum	Source capture with inlet collar (14" or 20" dia.), with no hole, dual arm (M3000 & M6000 only)
Agency Approvals	UL Listed Components

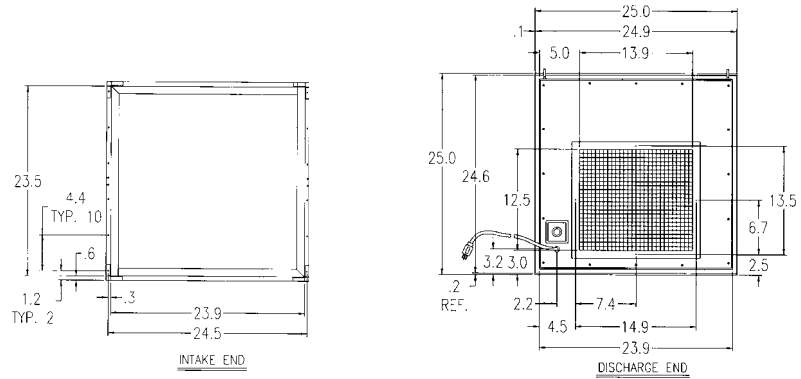
Media and Adsorption Air Cleaner

DIMENSIONS M2500

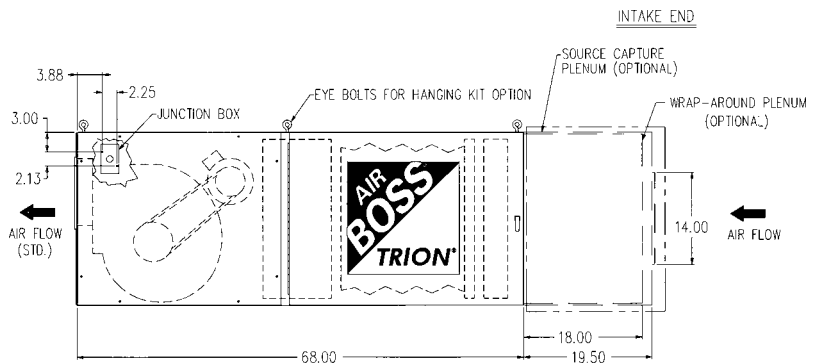
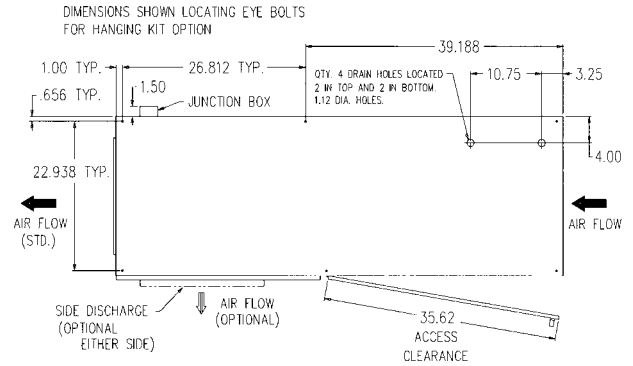
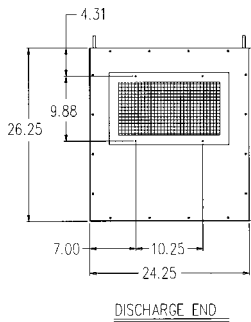
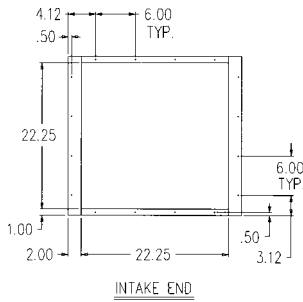


CFM DELIVERY FOR VARIOUS FILTER COMBINATIONS

Pre-filter	Speed	Primary Filter	
		65% (66 sq. ft.)	95% (66 sq. ft.)
2" Polyester Wraparound (10 sq. ft.)	High	2010 CFM	1800 CFM
	Med	1710 CFM	1630 CFM
	Low	1240 CFM	1265 CFM
4" Pleated (28 sq. ft.)	High	1875 CFM	1690 CFM
	Med	1760 CFM	1600 CFM
	Low	1250 CFM	1265 CFM
2" polyester (4 sq. ft.)	High	1950 CFM	1720 CFM
	Med	1650 CFM	1620 CFM
	Low	1250 CFM	1265 CFM

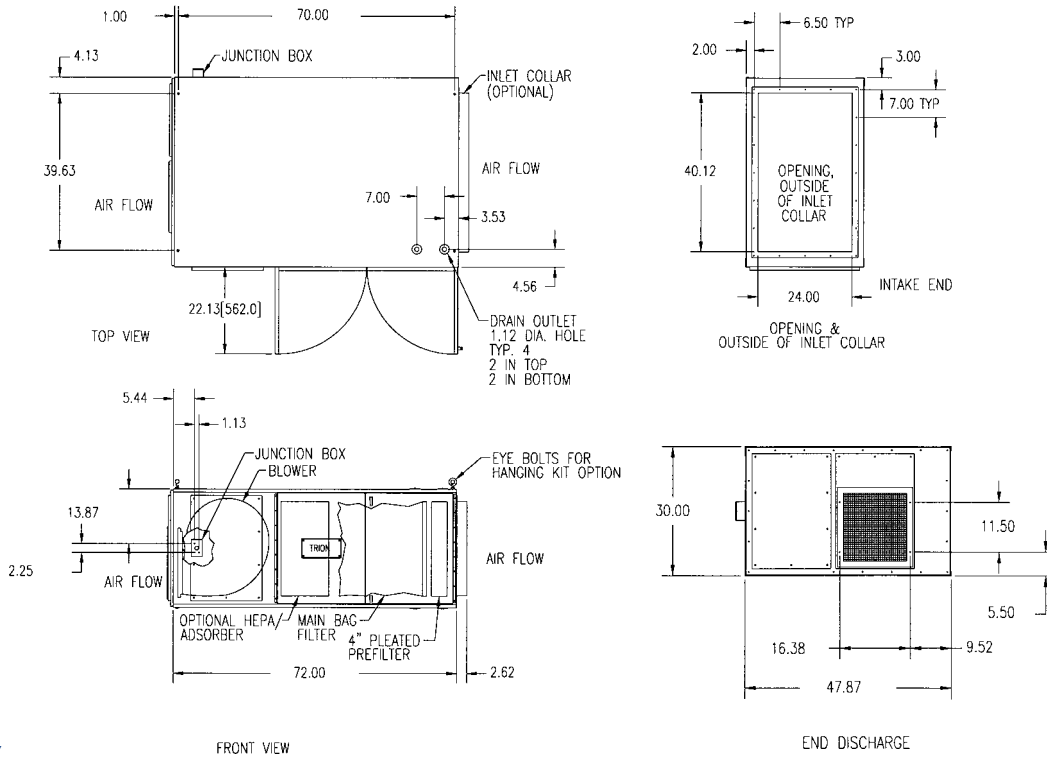


DIMENSIONS M3000



DIMENSIONS M6000

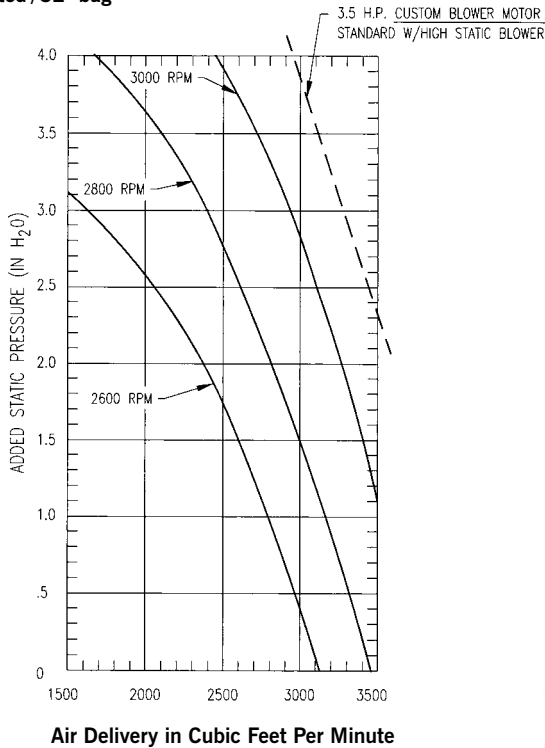
DIMENSIONS SHOWN LOCATING EYE BOLTS FOR HANGING KIT OPTION



AIR DELIVERY

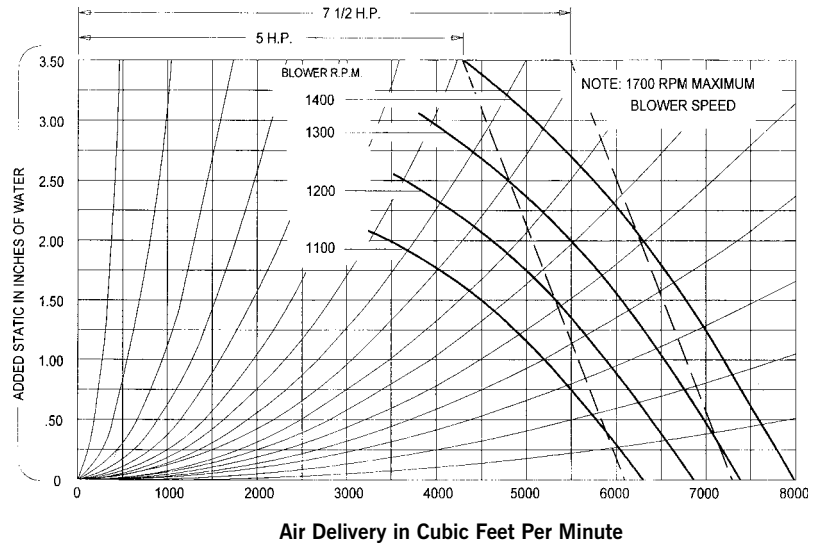
M3000

4" pleated /32" bag



M6000

M6000 MEDIA UNIT - FILTER COMBINATION
 4" PLEATED PREFILTER - MIN. 30% EFFICIENCY
 36" LONG BAG FILTER - 65% EFFICIENCY



Trion Inc.
 101 McNeill Road
 Sanford, NC 27330, USA
Phone: 800-884-0002
Fax: 800-458-2379
www: trioninc.com
email: sales@trioninc.com

Trion, Ltd.
 The Cavendish Centre
 Winnall Close
 Winchester, Hampshire,
 SO23 0LB, UK
Phone: +44 (0) 1962 840465
Fax: +44 (0) 1962 828619
www: trion.co.uk
email: info@trion.co.uk

Trion Deutschland GmbH
 Boschstr. 60
 D - 50171 Kerpen
Phone: +49 (0) 2237 922-103
Fax: +49 (0) 2237 922-104
email: info@trion-deutschland.de

Fedders International Air Conditioning
 A-30, Chintels House,
 Kailash Colony
 New Delhi
 India 110048
Phone: 91 11 5173 0730
Fax: 91 11 5173 0743

Fedders International, Inc.
 128 Joo Seng Road
 #05-01
 DP Computers Building
 Singapore 368 356
Phone: (65) 6286 0995
Fax: (65) 6286 0859

Fedders International
 No. 728 Fuzhou Road
 Rm. 3002-3005
 Raffles City Office Tower
 Shanghai, P.R. China 200001
Phone: (86-21) 6340 3232
Fax: (86-21) 6340 3867/6340 3868