

IMPORTANT:
Read Before Using

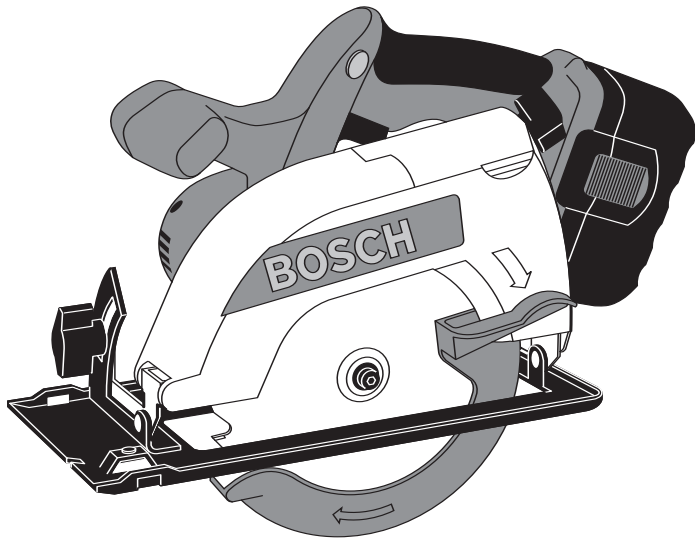
IMPORTANT :
Lire avant usage

IMPORTANTE:
Leer antes de usar



Operating/Safety Instructions
Consignes de fonctionnement/sécurité
Instrucciones de funcionamiento y seguridad

1659
1661



BOSCH

Call Toll Free
for Consumer Information
& Service Locations

Pour renseignement des
consommateurs et centres
de service, appelez au
numéro gratuit :

Llame gratis para
obtener información
para el consumidor y
ubicaciones de servicio

1-877-BOSCH99 (1-877-267-2499) www.boschtools.com

For English
See page 2

Parlez-vous français?
Voir page 19

¿Habla español?
Ver página 36

General Safety Rules

⚠ WARNING Read all instructions. Failure to follow all instructions listed below may result in electric shock, fire and/or serious injury. The term “power tool” in all of the warnings listed below refers to your mains-operated (corded) power tool or battery-operated (cordless) power tool.

SAVE THESE INSTRUCTIONS

Work area safety

Keep work area clean and well lit. Cluttered or dark areas invite accidents.

Do not operate power tools in explosive atmospheres, such as in the presence of flammable liquids, gases or dust. Power tools create sparks which may ignite the dust or fumes.

Keep children and bystanders away while operating a power tool. Distractions can cause you to lose control.

Electrical safety

Power tool plugs must match the outlet. Never modify the plug in any way. Do not use any adapter plugs with earthed (grounded) power tools. Unmodified plugs and matching outlets will reduce risk of electric shock.

Avoid body contact with earthed or grounded surfaces such as pipes, radiators, ranges and refrigerators. There is an increased risk of electric shock if your body is earthed or grounded.

Do not expose power tools to rain or wet conditions. Water entering a power tool will increase the risk of electric shock.

Do not abuse the cord. Never use the cord for carrying, pulling or unplugging the power tool. Keep cord away from heat, oil, sharp edges or moving parts. Damaged or entangled cords increase the risk of electric shock.

When operating a power tool outdoors, use an extension cord suitable for outdoor use. Use of a cord suitable for outdoor use reduces the risk of electric shock.

Do not use AC only rated tools with a DC power supply. While the tool may appear to work, the electrical components of the AC rated tool are likely to fail and create a hazard to the operator.

If operating the power tool in damp locations is unavoidable a Ground Fault Circuit Interrupter (GFCI) must be used to supply the power to your tool. GFCI and personal protection devices like electrician’s rubber gloves and footwear will further enhance your personal safety.

Personal safety

Stay alert, watch what you are doing and use common sense when operating a power tool. Do not use a power tool while you are tired or under the influence of drugs, alcohol or medication. A moment of inattention while operating power tools may result in serious personal injury.

Use safety equipment. Always wear eye protection. Safety equipment such as dust mask, non-skid safety shoes, hard hat, or hearing protection used for appropriate conditions will reduce personal injuries.

Avoid accidental starting. Ensure the switch is in the off-position before plugging in. Carrying power tools with your finger on the switch or plugging in power tools that have the switch on invites accidents.

Remove any adjusting key or wrench before turning the power tool on. A wrench or a key left attached to a rotating part of the power tool may result in personal injury.

Do not overreach. Keep proper footing and balance at all times. This enables better control of the power tool in unexpected situations.

Dress properly. Do not wear loose clothing or jewelry. Keep your hair, clothing and gloves away from moving parts. Loose clothes, jewelry or long hair can be caught in moving parts.

If devices are provided for the connection of dust extraction and collection facilities, ensure these are connected and properly

used. Use of these devices can reduce dust-related hazards.

Keep handles dry, clean and free from oil and grease. Slippery hands cannot safely control the power tool.

Power tool use and care

Do not force the power tool. Use the correct power tool for your application. The correct power tool will do the job better and safer at the rate for which it was designed.

Do not use the power tool if the switch does not turn it on and off. Any power tool that cannot be controlled with the switch is dangerous and must be repaired.

Disconnect the plug from the power source and/or the battery pack from the power tool before making any adjustments, changing accessories, or storing power tools. Such preventive safety measures reduce the risk of starting the power tool accidentally.

Store idle power tools out of the reach of children and do not allow persons unfamiliar with the power tool or these instructions to operate the power tool. Power tools are dangerous in the hands of untrained users.

Maintain power tools. Check for misalignment or binding of moving parts, breakage of parts and any other condition that may affect the power tools operation. If damaged, have the power tool repaired before use. Many accidents are caused by poorly maintained power tools.

Keep cutting tools sharp and clean. Properly maintained cutting tools with sharp cutting edges are less likely to bind and are easier to control.

Use the power tool, accessories and tool bits etc., in accordance with these instructions and in the manner intended for the particular type of power tool, taking into account the working conditions and the work to be performed. Use of the power tool for operations different from those intended could result in a hazardous situation.

Use clamps or other practical way to secure and support the workpiece to a stable platform. Holding the work by hand or against your body is unstable and may lead to loss of control.

Battery tool use and care

Recharge only with the charger specified by the manufacturer. A charger that is suitable for one type of battery pack may create a risk of fire when used with another battery pack.

Use battery tools only with specifically designated battery packs. Use of any other battery packs may create a risk of injury and fire.

When battery pack is not in use, keep it away from other metal objects like paper clips, coins, keys, nails, screws, or other small metal objects that can make a connection from one terminal to another. Shorting the battery terminals together may cause burns or a fire.

Under abusive conditions, liquid may be ejected from the battery, avoid contact. If contact accidentally occurs, flush with water. If liquid contacts eyes, additionally seek medical help. Liquid ejected from the battery may cause irritation or burns.

Ensure the switch is in the off position before inserting battery pack. Inserting the battery pack into power tools that have the switch on invites accidents.

Service

Have your power tool serviced by a qualified repair person using only identical replacement parts. This will ensure that the safety of the power tool is maintained.

Develop a periodic maintenance schedule for your tool. When cleaning a tool be careful not to disassemble any portion of the tool since internal wires may be misplaced or pinched or safety guard return springs may be improperly mounted. Certain cleaning agents such as gasoline, carbon tetrachloride, ammonia, etc. may damage plastic parts.

SAVE THESE INSTRUCTIONS

Safety Rules for Circular Saws

▲ WARNING Read all safety warnings and all instructions.

Cutting procedures

▲ DANGER Keep hands away from cutting area and blade.

Keep your second hand on auxiliary handle, or motor housing. If hands are holding the saw, they cannot be cut by the blade.

This product is intended to cut wood and wood-like products only. Dust build up around the lower guard and hub from other materials (plastic, masonry or metal) may disable the lower guard operation.

Do not reach underneath the workpiece. The guard cannot protect you from the blade below the workpiece.

NEVER hold piece being cut in your hands or across your leg. Secure the workpiece to stable platform. It is important to support the work properly to minimize body exposure, blade binding, or loss of control.

Hold power tool by the insulated gripping surfaces when performing an operation where the cutting tool may contact hidden wiring or its own cord. Contact with a "live" wire will also make exposed metal parts of the tool "live" and shock the operator.

When ripping always use a rip fence or straight edge guide. This improves accuracy of cut and reduces the chance for blade binding.

Always use blades with correct size and shape (diamond vs. round) of arbor holes. Blades that do not match the mounting hardware of the saw will run eccentrically, causing loss of control.

Never use damaged or incorrect blade washers or bolts. The blade washers and bolt were specially designed for your saw, for optimum performance and safety of operation.

Inspect the condition and quality of the wood and remove all nails from lumber before cutting. Wet lumber, green lumber or pressure treated lumber require special attention during cutting operation to prevent kickback.

Hold the saw firmly to prevent loss of control. Figures in this manual illustrate typical hand support of the saw.

Depending upon use, the switch may not last the life of the saw. If the switch should fail in the "OFF" position, the saw may not start. If it should fail while the saw is

running, the saw may not shut off. If either occurs, unplug the saw immediately and do not use until repaired.

This circular saw should not be mounted to a table and converted to a table saw. Circular saws are not designed or intended to be used as table saws.

Kickback and related warnings

Causes and operator prevention of kickback:

Kickback is a sudden reaction to a pinched, bound or misaligned saw blade, causing an uncontrolled saw to lift up and out of the workpiece toward the operator.

When the blade is pinched or bound tightly by the kerf closing down, the blade stalls and the motor reaction drives the unit rapidly back toward the operator.

If the blade becomes twisted or misaligned in the cut, the teeth at the back edge of the blade can dig into the top surface of the wood causing the blade to climb out of the kerf and jump back toward the operator.

Kickback is the result of tool misuse and/or incorrect operating procedures or conditions and can be avoided by taking proper precautions as given below:

Maintain a firm grip with both hands on the saw and position your body and arm to allow you to resist kickback forces. Position your body to either side of the blade, but not in line with the blade. Kickback could cause the saw to jump backwards, but kickback forces can be controlled by the operator, if proper precautions are taken.

When blade is binding, or when interrupting a cut for any reason, release the trigger and hold the saw motionless in the material until the blade comes to a complete stop. Never attempt to remove the saw from the work or pull the saw backward while the blade is in motion or kickback may occur. Investigate and take corrective action to eliminate the cause of blade binding.

When restarting a saw in a workpiece, center the saw blade in the kerf and check that saw teeth are not engaged into the material. If saw blade is binding, it may walk up or kickback from the workpiece as the saw is restarted.

Support large panels to minimize the risk of blade pinching and kickback. Large panels tend to sag under their own weight. Supports must be placed under the panel on both sides, near the line of cut and near the edge of the panel.

Do not use dull or damaged blade. Unsharpened or improperly set blades produce narrow kerf causing excessive friction, blade binding and kickback.

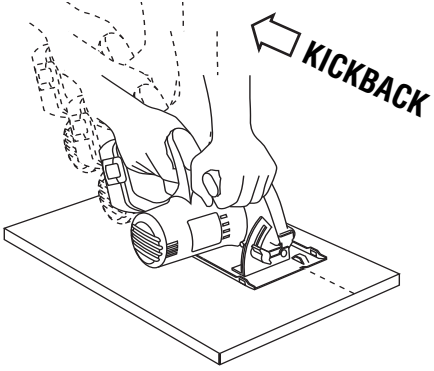
Blade depth and bevel adjusting locking levers must be tight and secure before making cut. If blade adjustment shifts while cutting, it may cause binding and kickback.

Use extra caution when making a “Plunge Cut” into existing walls or other blind areas. The protruding blade may cut objects that can cause kickback.

The blade washers and the bolt on your saw have been designed to work as a clutch to reduce the intensity of a kickback. Understand the operation and settings of the VARI-TORQUE CLUTCH. The proper setting of the clutch, combined with firm handling of the saw will allow you to control kickback.

Never place your hand behind the saw blade. Kickback could cause the saw to jump backwards over your hand.

Do not use the saw with an excessive depth of cut setting. Too much blade exposure increases the likelihood of the blade twisting in the kerf and increases the surface area of the blade available for pinching that leads to kickback.



Lower guard function

Check lower guard for proper closing before each use. Do not operate saw if lower guard does not move freely and close instantly. Never clamp or tie the lower guard into the open position. If saw is

accidentally dropped, lower guard may be bent. Raise the lower guard only with the Lower Guard Lift Lever and make sure it moves freely and does not touch the blade or any other part, in all angles and depths of cut.

Check the operation of the lower guard spring. If the guard and the spring are not operating properly, they must be serviced before use. Lower guard may operate sluggishly due to damaged parts, gummy deposits, or a buildup of debris.

Lower guard should be retracted manually only for special cuts such as “Plunge Cuts” and “Compound Cuts”. Raise lower guard by lower guard Lift lever and as soon as blade enters the material, lower guard must be released. For all other sawing, the lower guard should operate automatically.

Always observe that the lower guard is covering the blade before placing saw down on bench or floor. An unprotected, coasting blade will cause the saw to walk backwards, cutting whatever is in its path. Be aware of the time it takes for the blade to stop after switch is released.

Do not run the tool while carrying it at your side. Lower guard may be opened by a contact with your clothing. Accidental contact with the spinning saw blade could result in serious personal injury.

Periodically remove the blade, clean the upper, lower guards and the hub area with kerosene and wipe it dry, or blow it clean with compressed air. Preventive maintenance and properly operating guard will reduce the probability of an accident.

⚠ WARNING Some dust created by power sanding, sawing, grinding, drilling, and other construction activities contains chemicals known to cause cancer, birth defects or other reproductive harm. Some examples of these chemicals are:

- Lead from lead-based paints,
- Crystalline silica from bricks and cement and other masonry products, and
- Arsenic and chromium from chemically-treated lumber.

Your risk from these exposures varies, depending on how often you do this type of work. To reduce your exposure to these chemicals: work in a well ventilated area, and work with approved safety equipment, such as those dust masks that are specially designed to filter out microscopic particles.

Battery/Charger

Before using battery charger, read all instructions and cautionary markings on (1) battery charger, (2) battery pack, and (3) product using battery.

Use only the charger which accompanied your product or direct replacement as listed in the catalog or this manual. Do not substitute any other charger. Use only Bosch approved chargers with your product. See Functional Description and Specifications.

Do not disassemble charger or operate the charger if it has received a sharp blow, been dropped or otherwise damaged in any way. Replace damaged cord or plugs immediately. Incorrect reassembly or damage may result in electric shock or fire.

Do not recharge battery in damp or wet environment. Do not expose charger to rain or snow. If battery case is cracked or otherwise damaged, do not insert into charger. Battery short or fire may result.

Charge only Bosch approved rechargeable batteries. See Functional Description and Specifications. Other types of batteries may burst causing personal injury and damage.

Charge battery pack in temperatures above +40 degrees F (4 degrees C) and below +105 degrees F (41 degrees C). Store tool and battery pack in locations

where temperatures do not go below 40 degrees F (4 degrees C) or will not exceed 120 degrees F (49 degrees C). Allow battery pack to return to room temperature before attempting to charge. This is important to prevent serious damage to the battery cells.

Battery leakage may occur under extreme usage or temperature conditions. Avoid contact with skin and eyes. The battery liquid is caustic and could cause chemical burns to tissues. If liquid comes in contact with skin, wash quickly with soap and water, then with lemon juice or vinegar. If the liquid contacts your eyes, flush them with water for a minimum of 10 minutes and seek medical attention.

Place charger on flat non-flammable surfaces and away from flammable materials when re-charging battery pack. The charger and battery pack heat during charging. Carpeting and other heat insulating surfaces block proper air circulation which may cause overheating of the charger and battery pack. If smoke or melting of the case are observed unplug the charger immediately and do not use the battery pack or charger.

Use of an attachment not recommended or sold by Bosch may result in a risk of fire, electric shock or injury to persons.

Battery Care

⚠ WARNING When batteries are not in tool or charger, keep them away from metal objects. For example, to protect terminals from shorting **DO NOT** place batteries in a tool box or pocket with nails, screws, keys, etc. Fire or injury may result.

⚠ WARNING To prevent fire or injury when batteries are not in tool or charger, always place protective cap onto end of battery pack. Protective cap, guards against terminal shorting.

DO NOT PUT BATTERIES INTO FIRE OR EXPOSE TO HIGH HEAT. They may explode.

Battery Disposal



WARNING Do not attempt to disassemble the battery or remove any component projecting from the battery terminals. Fire or injury may result. Prior to disposal, protect exposed terminals with heavy insulating tape to prevent shorting.

NICKEL-CADMIUM BATTERIES

If equipped with a nickel-cadmium battery, the battery must be collected, recycled or disposed of in an environmentally sound manner.



“The EPA certified RBRC Battery Recycling Seal on the nickel-cadmium (Ni-Cd) battery indicates Robert Bosch Tool Corporation is voluntarily participating in an industry program to collect and recycle these batteries at the end of their useful life, when

taken out of service in the United States or Canada. The RBRC program provides a convenient alternative to placing used Ni-Cd batteries into the trash or the municipal waste stream, which may be illegal in your area.

Please call 1-800-8-BATTERY for information on Ni-Cd battery recycling and disposal bans/restrictions in your area, or return your batteries to a Skil/Bosch/Dremel Service Center for recycling. Robert Bosch Tool Corporation's involvement in this program is part of our commitment to preserving our environment and conserving our natural resources.”

NICKEL-METAL HYDRIDE BATTERIES

If equipped with a nickel-metal hydride battery, the battery can be disposed of in a municipal solid waste stream.

Symbols

IMPORTANT: Some of the following symbols may be used on your tool. Please study them and learn their meaning. Proper interpretation of these symbols will allow you to operate the tool better and safer.

Symbol	Name	Designation/Explanation
V	Volts	Voltage (potential)
A	Amperes	Current
Hz	Hertz	Frequency (cycles per second)
W	Watt	Power
kg	Kilograms	Weight
min	Minutes	Time
s	Seconds	Time
∅	Diameter	Size of drill bits, grinding wheels, etc.
n ₀	No load speed	Rotational speed, at no load
.../min	Revolutions or reciprocation per minute	Revolutions, strokes, surface speed, orbits etc. per minute
0	Off position	Zero speed, zero torque...
1, 2, 3, ... I, II, III,	Selector settings	Speed, torque or position settings. Higher number means greater speed
	Infinately variable selector with off	Speed is increasing from 0 setting
	Arrow	Action in the direction of arrow
	Alternating current	Type or a characteristic of current
	Direct current	Type or a characteristic of current
	Alternating or direct current	Type or a characteristic of current
	Class II construction	Designates Double Insulated Construction tools.
	Earthing terminal	Grounding terminal
	Warning symbol	Alerts user to warning messages
	Ni-Cad RBRC seal	Designates Ni-Cad battery recycling program



This symbol designates that this tool is listed by Underwriters Laboratories.



This symbol designates that this tool is listed to Canadian Standards by Underwriters Laboratories.



This symbol designates that this tool complies to NOM Mexican Standards.



This symbol designates that this tool is listed by the Canadian Standards Association.



This symbol designates that this tool is listed by Underwriters Laboratories, and listed to Canadian Standards by Underwriters Laboratories.

Functional Description and Specifications

⚠ WARNING Disconnect battery pack from tool or place the switch in the locked or off position before making any assembly, adjustments or changing accessories. Such preventive safety measures reduce the risk of starting the tool accidentally.

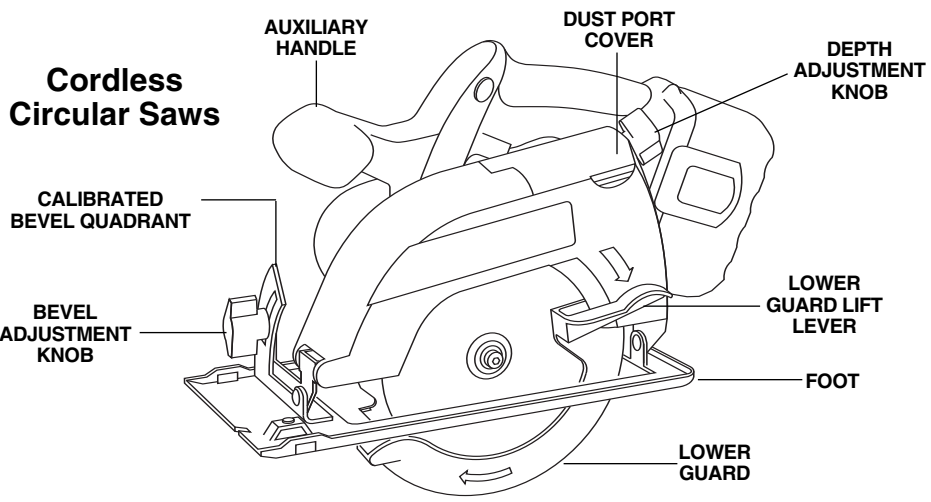
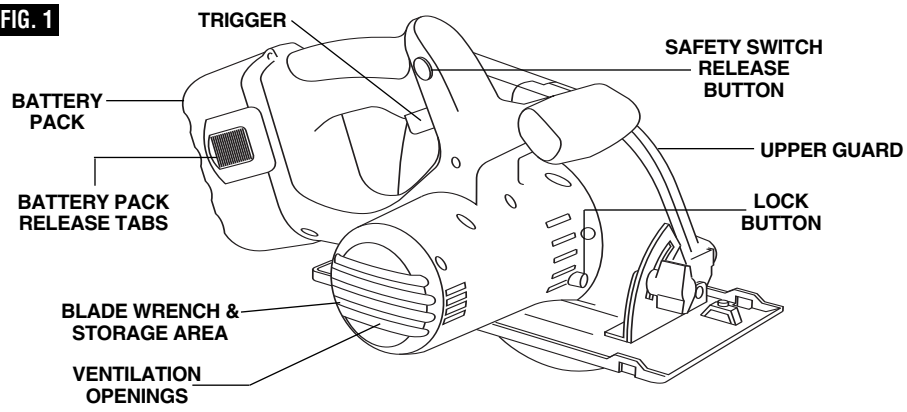


FIG. 1



Model number	1659	1661	Maximum Capacities
Voltage rating	18 V ===	14.4 V ===	Blade
No load speed	n ₀ 3,600/min	n ₀ 3,600/min	Depth of cut at 90°
Charger	BC003,4,6, & BC016	BC001-6 & BC016	Depth of cut at 45°
	BC130 & BC230	BC130 & BC230	1-5/8"
Voltage rating	120 V ~ 60 Hz	120 V ~ 60 Hz	1-1/4"
Battery pack	BAT025 & BAT26	BAT040	ATTENTION: Use only thin kerf blades designed for Cordless Circular Saws.
	BAT160 thru BAT189	BAT140 thru BAT159	
	BC006 charger requires 12 V DC input		

NOTE: ONLY USE CHARGERS LISTED ABOVE

For replacement blades we recommend Bosch Cordless Circular saw blades. Their thin kerf and tooth design deliver the best speed, quality of cut, and reduce battery drain. Use of standard blades will substantially affect the performance and reduce run-time.

Assembly

ATTACHING THE BLADE

▲ WARNING Disconnect battery pack from tool or place the switch in the locked or off position before making any assembly, adjustments or changing accessories. Such preventive safety measures reduce the risk of starting the tool accidentally.

1. Turn BLADE STUD with wrench provided clockwise and remove BLADE STUD and OUTER WASHER (Fig. 2). If the shaft moves while attempting to loosen the blade stud press the lock button (Fig. 1).
2. Retract the lower guard all the way up into the upper guard. While retracting the lower guard, check operation and condition of the LOWER GUARD SPRING.
3. Make sure the saw teeth and arrow on the blade point in the same direction as the arrow on the lower guard.
4. Slide blade through slot in the foot and mount it against the INNER WASHER on the shaft. Be sure the large diameter of the OUTER washer lays flush against the blade.
5. Reinstall OUTER WASHER and tighten BLADE STUD finger tight. The face of outer washer has marks on it that will help you properly adjust the blade stud. Press lock button to lock shaft and TIGHTEN BLADE STUD COUNTER-CLOCKWISE ONE MARK ON BLADE WASHER WITH THE WRENCH PROVIDED.

Do not use wrenches with longer handles, since it may lead to over tightening of the blade stud.

VARI-TORQUE CLUTCH

This clutching action is provided by the friction of the OUTER WASHER against the BLADE and permits the blade shaft to turn when the blade encounters excessive resistance. When the BLADE STUD is properly tightened (as described in No. 5 of Attaching The Blade), the blade will slip when it encounters excessive resistance, thus reducing saw's tendency to KICKBACK.

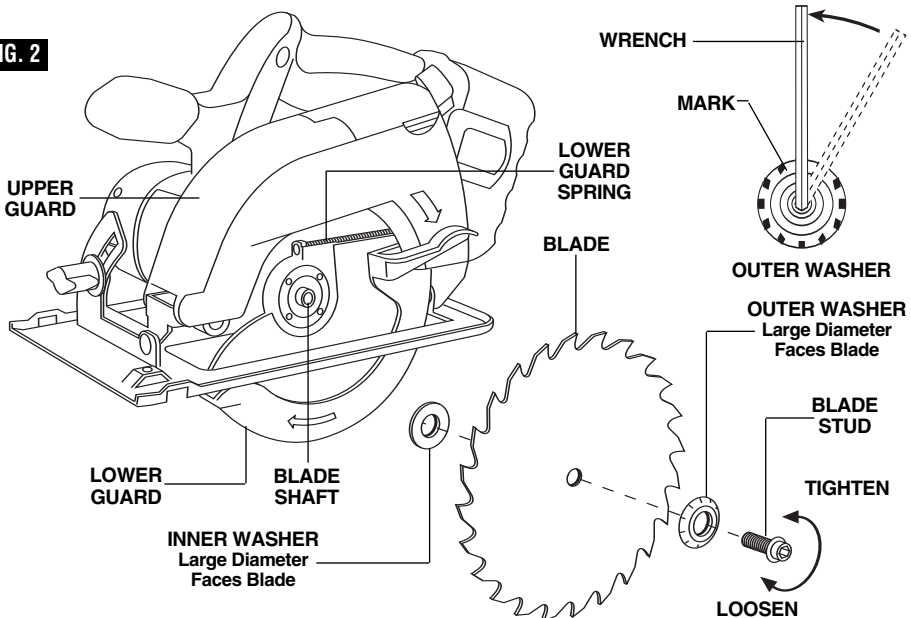
One setting may not be sufficient for cutting all materials. If excessive blade slippage occurs, tighten the blade stud a fraction of a turn more (less than 1/8 turn). OVERTIGHTENING THE BLADE STUD NULLIFIES THE EFFECTIVENESS OF THE CLUTCH.

DUST EXTRACTION

Your tool is equipped is with a dust port for dust and chip extraction. To use this feature, open dust port cover and attach vacuum hose (optional accessory) to the dust port, and connect opposite end the hose to a shop vacuum cleaner.

▲ WARNING To prevent personal injury, always position vacuum hose so that it does not interfere with the lower guard, or the cutting operation at all settings.

FIG. 2



Operating Instructions

DEPTH ADJUSTMENT

Disconnect battery pack from tool. Loosen the depth adjustment knob located on the back side of the upper guard. Hold the foot down with one hand and raise or lower saw by the handle. Tighten knob at the depth setting

desired. Check desired depth (Fig. 3).

Not more than one tooth length of the blade should extend below the material to be cut, for minimum splintering (Fig. 4).

FIG. 3

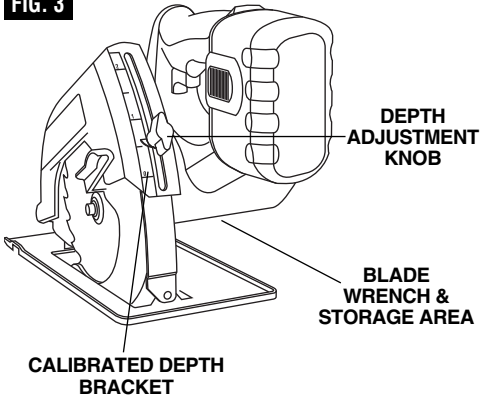
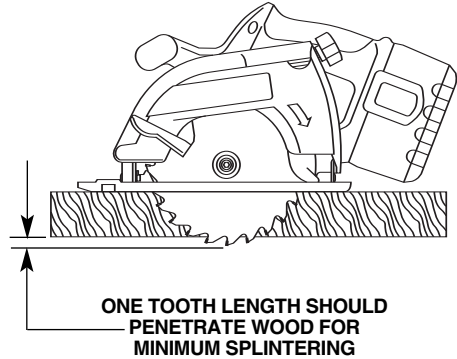


FIG. 4



SAFETY SWITCH

The safety switch is designed to prevent accidental starts. To operate safety switch, press the release button with your thumb on either side of handle to disengage the lock, then pull the trigger (Fig. 5). When the trigger is released the button will engage the safety switch automatically, and the trigger will no longer operate. (See Switch & General Cuts on page 11.)

90° CUTTING ANGLE CHECK

Disconnect battery pack from tool. Set foot to maximum depth of cut setting. Loosen bevel adjustment knob, set to 0° on quadrant, retighten knob and check for 90° angle between the blade and bottom plane of foot with a square (Fig. 6). If adjustment is necessary, tilt foot to 45°, tighten bevel adjustment wing nut and bend "TAB" with an adjustable wrench or pliers (Fig. 7).

FIG. 5

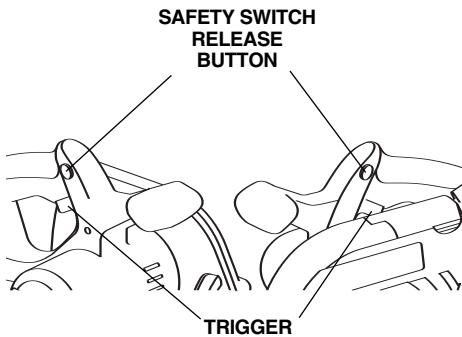


FIG. 6

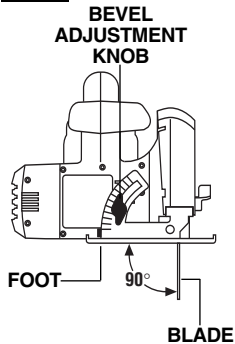
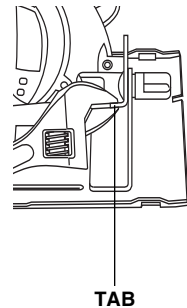
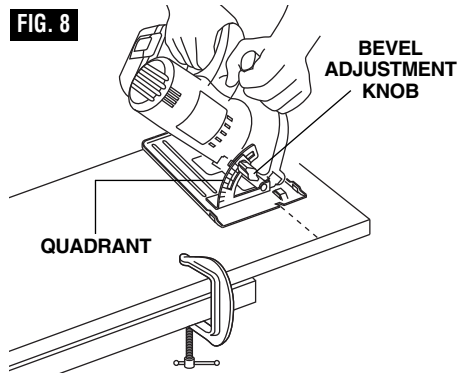


FIG. 7



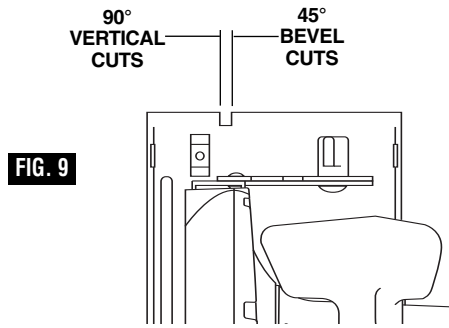
BEVEL ADJUSTMENT

Disconnect battery pack from tool. The foot can be adjusted up to 50° by loosening the bevel adjustment knob at the front of the saw. Align to desired angle on calibrated quadrant. Then tighten bevel adjustment knob (Fig. 8). Because of the increased amount of blade engagement in the work and decreased stability of the foot, blade binding may occur. Keep the saw steady and the foot firmly on the workpiece.



LINE GUIDE

For a straight 90° cut, use right side of notch in the foot. For 45° bevel cuts, use the left side (Fig. 9). The cutting guide notch will give an approximate line of cut. Make sample cuts in scrap lumber to verify actual line of cut. This will be helpful because of the number of different blade types and thicknesses available. To ensure minimum splintering on the good side of the material to be cut, face the good side down.



SWITCH

To turn tool "ON", squeeze the trigger switch. To turn the tool "OFF", release the trigger switch, which is spring loaded and will return to the off position automatically.

Your saw should be running at full speed BEFORE starting the cut, and turned off only AFTER completing the cut. To increase switch life, do not turn switch on and off while cutting.

BRAKE

When the trigger is released it activates the electrical brake to stop the blade quickly. This feature is especially useful when making repetitive cuts.

GENERAL CUTS

Always hold the saw handle with one hand and the auxiliary handle or housing with the other.

Always make sure saw foot rests on portion of work surface that does not drop off.

WARNING Always be sure either hand does not interfere with the free movement of the lower guard.

Maintain a firm grip and operate the switch with a decisive action. Never force the saw. Use light and continuous pressure.

WARNING After completing a cut and the trigger has been released, be aware of the necessary time it takes for the blade to come to a complete stop during coast down. Do not allow the saw to brush against your leg or side, since the lower guard is retractable, it could catch on your clothing and expose the blade. Be aware of the necessary blade exposures that exist in both the upper and lower guard areas.

When cutting is interrupted, to resume cutting: squeeze the trigger and allow the blade to reach full speed, re-enter the cut slowly and resume cutting.

When cutting across the grain, the fibers of the wood have a tendency to tear and lift. Advancing the saw slowly minimizes this effect. For a finished cut, a cross cut blade or miter blade is recommended.

POCKET CUTS

Disconnect battery pack from tool before making adjustments. Set depth adjustment according to material to be cut. Tilt saw forward with cutting guide notch lined up with the line you've drawn. Raise the lower guard, using lift lever and hold the saw by the front and rear handles (Fig. 10).

With the blade just clearing the material to be cut, start the motor. Gradually lower the back end of saw using the front end of the foot as the hinge point. **WARNING: As blade starts cutting the material, release the lower guard immediately.** When the foot rests flat on the surface being cut, proceed cutting in forward direction to end of cut. **WARNING: Allow blade to come to a complete stop before lifting the saw from cut. Also, never pull the saw backward since blade will climb out of the material and KICKBACK will occur.** Turn saw around and finish the cut in the normal manner, sawing forward. If corners of your pocket cut are not completely cut through, use a jigsaw or hand saw to finish the corners.

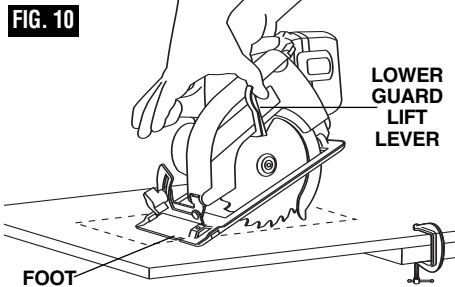


FIG. 10

CUTTING LARGE SHEETS

Large sheets and long boards sag or bend, depending on support. If you attempt to cut without leveling and properly supporting the piece, the blade will tend to bind, causing KICKBACK and extra load on the motor (Fig. 11).

Support the panel or board close to the cut, as shown in (Fig. 12). Be sure to set the depth of the cut so that you cut through the sheet or board only and not the table or work bench. The two-by-fours used to raise and support the work should be positioned so that the broadest sides support the work and rest on the table or bench. Do not support the work with the narrow sides as this is an unsteady arrangement. If the sheet or board to be cut is too large for a table or work bench, use the supporting two-by-fours on the floor and secure.

FIG. 11
WRONG

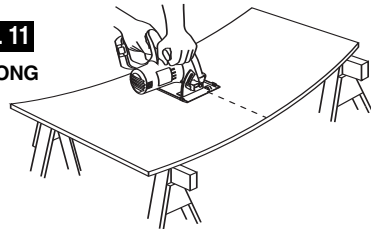
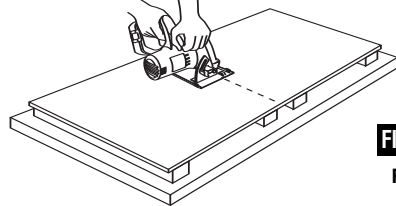


FIG. 12
RIGHT



RIP CUTS

The combination blade provided with your saw is for both cross cuts and rip cuts. Ripping is cutting lengthwise with the grain of the wood. Rip cuts are easy to do with a rip fence (Fig. 13). Rip Fence is available as an accessory (not included). To attach fence, insert fence through slots in foot to desired width as shown and secure with the knob.

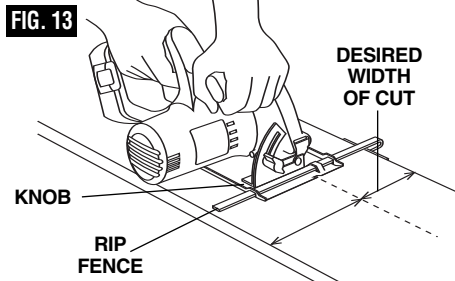


FIG. 13

RIP BOARD GUIDE

When rip cutting large sheets, the rip fence may not allow the desired width of cut. Clamp or nail a straight piece of 1" (25 mm) lumber to the sheet as a guide (Fig. 14). Use the right side of the foot against the board guide.

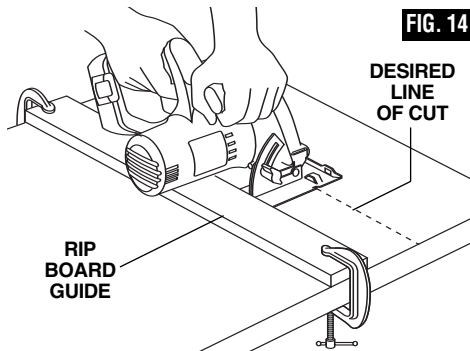


FIG. 14

RELEASING AND INSERTING BATTERY PACK

Release battery pack from tool by pressing on both sides of the battery release tabs and pull downwards. Before inserting battery pack, remove protective cap from battery

pack. To insert battery, align battery and slide battery pack into tool until it locks into position. Do not force.

IMPORTANT CHARGING NOTES

1. The battery pack accepts only about 80% of its maximum capacity with its first few charge cycles. However, after the first few charge cycles, the battery will charge to full capacity.
2. The charger was designed to fast charge the battery only when the battery temperature is between 40°F (4°C) and 105°F (41°C).
3. A substantial drop in operating time per charge may mean that the battery pack is nearing the end of its life and should be replaced.
4. If you anticipate long periods (i.e. a month or more) of non-use of your tool, it is best to run your tool down until it is fully discharged before storing your battery pack. After a long period of storage, the capacity at first recharge will be lower. Normal capacity will be restored in two or three charge/discharge cycles.

Remember to unplug charger during storage period.

5. If battery does not charge properly:

- a. Check for voltage at outlet by plugging in some other electrical device.

- b. Check to see if outlet is connected to a light switch which turns power "off" when lights are turned off.

- c. Check battery pack terminals for dirt. Clean with cotton swab and alcohol if necessary.

- d. If you still do not get proper charging, take or send tool, battery pack and charger to your local Bosch Service Center. See "Tools, Electric" in the Yellow Pages for names and addresses.

Note: Use of chargers or battery packs not sold by Bosch will void the warranty.

CHARGING BATTERY PACK (30 MINUTE SINGLE BAY-BC130)

INDICATORS, SYMBOLS AND MEANING

If the indicator lights are "OFF", the charger is not receiving power from power supply outlet.



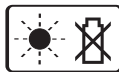
If the green indicator light is "ON", the charger is plugged in but the battery pack is not inserted, or the battery pack is fully charged and is being trickle charged.



If the green indicator light is "BLINKING", the battery pack is being fast-charged. Fast-charging will automatically stop when the battery pack is fully charged.



If the red indicator light is "ON", the battery pack is too hot or cold for fast-charging. The charger will switch to trickle charge, until a suitable temperature is reached, at which time the charger will switch automatically to fast-charging.



If the red indicator light is "BLINKING", the battery pack cannot accept a charge or the contacts of the charger or battery pack are contaminated. Clean the contacts of the charger or battery pack only as directed in these operating instructions or those supplied with your tool or battery pack.

Plug charger cord into your standard power outlet. Before inserting battery pack, remove protective cap, then insert battery pack into charger (Fig. 15).

The charger's green indicator light will begin to "BLINK". This indicates that the battery is receiving a fast charge. Fast-charging will automatically stop when the battery pack is fully charged.

When the indicator light stops "BLINKING" (and becomes a steady green light) fast charging is complete.

The battery pack may be used even though the light may still be blinking. The light may require more time to stop blinking depending on temperature. When you begin the charging process of the battery pack, a steady red light

could also mean the battery pack is too hot or too cold.

The purpose of the green light is to indicate that the battery pack is fast-charging. It does not indicate the exact point of full charge. The light will stop blinking in less time if the battery pack was not completely discharged.

When charging several batteries in sequence, the charge time may slightly increase.

When the battery pack is fully charged, unplug the charger (unless you're charging another battery pack) and slip the battery pack back into the tool.

To prevent fire or injury when batteries are not in tool or charger, always place protective cap onto end of battery pack.

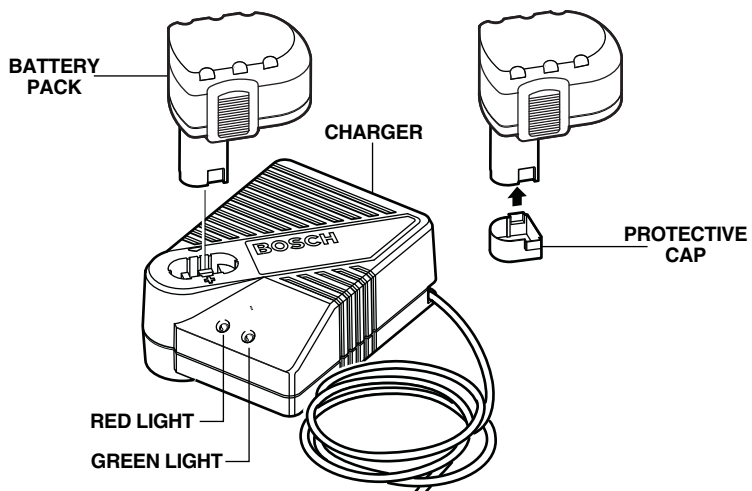


FIG. 15

CHARGING BATTERY PACK (30 MINUTE DUAL BAY-BC230)

INDICATORS, SYMBOLS AND MEANING

If the indicator lights are "OFF", the charger is not receiving power from power supply outlet.



If the red indicator light is "ON", the battery pack is too hot or cold for fast-charging. The charger will switch to trickle charge, until a suitable temperature is reached, at which time the charger will switch automatically to fast-charging.



If the red indicator light is "BLINKING", the battery pack cannot accept a charge or the contacts of the charger or battery pack

are contaminated. Clean the contacts of the charger or battery pack only as directed in these operating instructions or those supplied with your tool or battery pack.



If the green indicator light is "BLINKING", the battery pack is being fast-charged. Fast-charging will automatically stop when the battery pack is fully charged.



If the green indicator light is "ON", the charger is plugged in but the battery pack is not inserted, or the battery pack is fully charged and is being trickle charged.

Plug charger cord into your standard power outlet. Before inserting battery pack, remove protective cap, then insert battery pack into charger (Fig. 16).

The charger's green indicator light will begin to "BLINK". This indicates that the battery is receiving a fast charge. Fast-charging will automatically stop when the battery pack is fully charged.

When the indicator light stops "BLINKING" (and becomes a steady green light) fast charging is complete.

The battery pack may be used even though the light may still be blinking. The light may require more time to stop blinking depending on temperature. When you begin the charging process of the battery pack, a

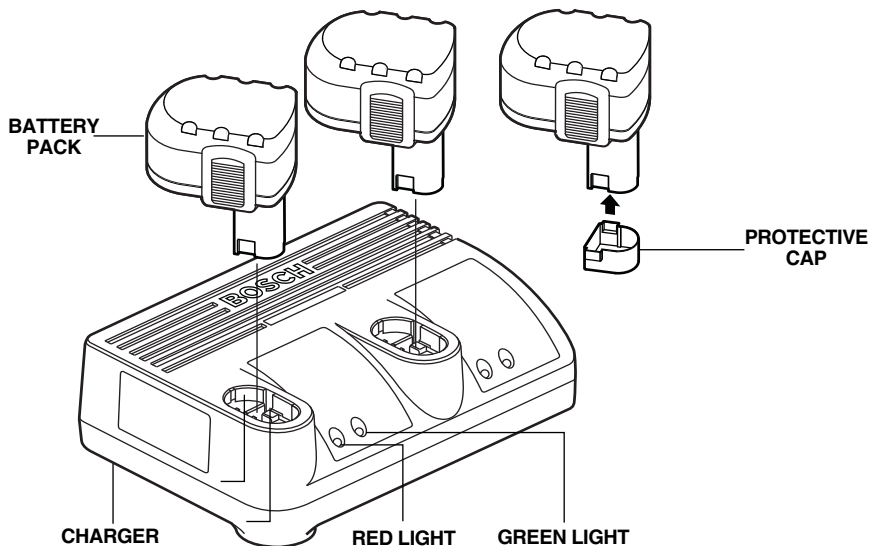
steady red light could also mean the battery pack is too hot or too cold.

The purpose of the green light is to indicate that the battery pack is fast-charging. It does not indicate the exact point of full charge. The light will stop blinking in less time if the battery pack was not completely discharged.

When charging several batteries in sequence, the charge time may slightly increase.

When the battery pack is fully charged, unplug the charger (unless you're charging another battery pack) and slip the battery pack back into the tool.

To prevent fire or injury when batteries are not in tool or charger, always place protective cap onto end of battery pack.



CHARGING BATTERY PACK (1 HOUR CHARGER)

INDICATORS, SYMBOLS AND MEANING

If the indicator lights are "OFF", the charger is not receiving power from power supply outlet.



If the green indicator light is "ON", the charger is plugged in but the battery pack is not inserted, or the battery pack is fully charged and is being trickle charged, or the battery pack is too hot or cold for fast-charging. The charger will

switch to trickle charge, until a suitable temperature is reached, at which time the charger will switch automatically to fast-charging.



If the green indicator light is "BLINKING", the battery pack is being fast-charged. Fast-charging will automatically stop when the battery pack is fully charged.

Plug charger cord into your standard power outlet. Before inserting battery pack, remove protective cap, then insert battery pack into charger (Fig. 17).

The charger's green indicator will begin to "BLINK". This indicates that the battery is receiving a fast charge. Fast-charging will automatically stop when the battery pack is fully charged.

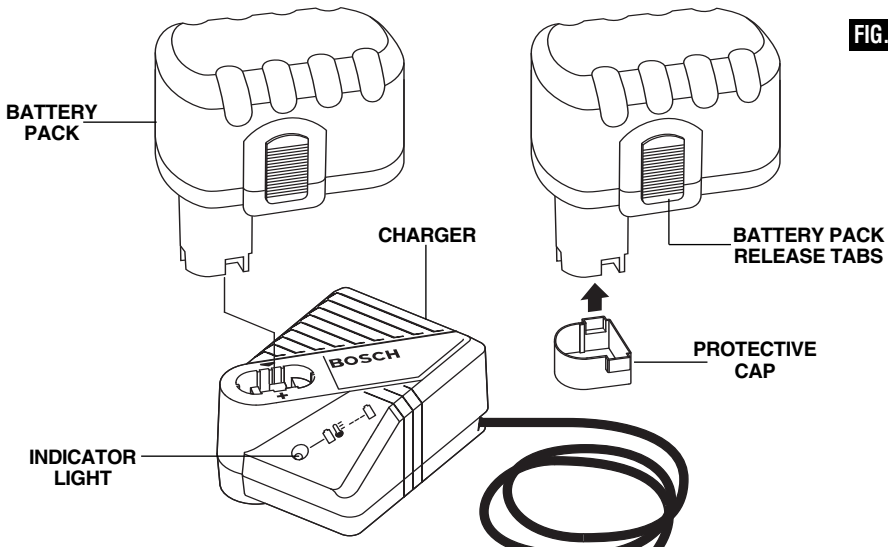
When the indicator light stops "BLINKING" (and becomes a steady green light) fast charging is complete.

When you begin the charging process of the battery pack, a steady green light could also mean the battery pack is too hot or too cold.

The purpose of the light is to indicate that the battery pack is fast-charging. It does not indicate the exact point of full charge. The light will stop blinking in less time if the battery pack was not completely discharged.

When the battery pack is fully charged, unplug the charger (unless you're charging another battery pack) and slip the battery pack back into the tool handle (Fig.17).

To prevent fire or injury when batteries are not in tool or charger, always place protective cap onto end of battery pack.



Maintenance

Service
⚠ WARNING NO USER SERVICEABLE PARTS INSIDE. Preventive maintenance performed by unauthorized personnel may result in misplacing of internal wires and components which could cause serious hazard. We recommend that all tool service be performed by a Bosch Factory Service Center or Authorized Bosch Service Station. **SERVICEMEN:** Disconnect tool and/or charger from power source before servicing.

BATTERIES
 Be alert for battery packs that are nearing their end of life. If you notice decreased tool performance or significantly shorter running time between charges then it is time to replace the battery pack. Failure to do so can cause the tool to operate improperly or damage the charger.

Long term battery storage should be in the discharged state. Battery packs last longer and re-charge better when they are stored discharged. Remember to fully re-

charge battery packs before using after prolonged storage.

TOOL LUBRICATION

Your Bosch tool has been properly lubricated and is ready for use.

D.C. MOTORS

The motor in your tool has been engineered for many hours of dependable service. To maintain peak efficiency of the motor, we recommend it be examined every six months. Only a genuine Bosch replacement motor specially designed for your tool should be used.

BEARINGS

Bearings which become noisy (due to heavy load or very abrasive material cutting) should be replaced at once to avoid overheating and motor failure.

Cleaning

⚠ WARNING To avoid accidents, always disconnect the tool and/or charger from the power supply before cleaning. The tool may be cleaned most effectively with compressed dry air. **Always wear safety goggles when cleaning tools with compressed air.**

Ventilation openings and switch levers must be kept clean and free of foreign matter. Do not attempt to clean by inserting pointed objects through opening.

⚠ CAUTION Certain cleaning agents and solvents damage plastic parts. Some of these are: gasoline, carbon tetrachloride, chlorinated cleaning solvents, ammonia and household detergents that contain ammonia.

Accessories

⚠ WARNING If an extension cord is necessary, a cord with adequate size conductors that is capable of carrying the current necessary for your tool must be used. This will prevent excessive voltage drop, loss of power or overheating. Grounded tools must use 3-wire extension cords that have 3-prong plugs and receptacles.

NOTE: The smaller the gauge number, the heavier the cord.

**RECOMMENDED SIZES OF EXTENSION CORDS
120 VOLT ALTERNATING CURRENT TOOLS**

Tool's Ampere Rating	Cord Size in A.W.G.				Wire Sizes in mm ²			
	Cord Length in Feet				Cord Length in Meters			
	25	50	100	150	15	30	60	120
3-6	18	16	16	14	0.75	0.75	1.5	2.5
6-8	18	16	14	12	0.75	1.0	2.5	4.0
8-10	18	16	14	12	0.75	1.0	2.5	4.0
10-12	16	16	14	12	1.0	2.5	4.0	—
12-16	14	12	—	—	—	—	—	—

(* = standard equipment)
(** = optional accessories)

- ** 15 minute charger
- ** 30 minute charger (single bay)
- ** 30 minute charger (dual bay)
- ** 1 hour charger

- * rip fence
- * 5-3/8" thin kerf 18 tooth carbide blade
- ** 5-3/8" thin kerf 24 tooth carbide blade
- ** 15 foot "Airsweep" hose, attaches to most vacuum cleaners

Consignes générales de sécurité

⚠ AVERTISSEMENT Veuillez lire et comprendre toutes les consignes. Si on n'observe pas toutes les consignes décrites ci-dessous, il y a risque de choc électrique, d'incendie et/ou de blessures corporelles graves. Dans toutes les mises en garde ci-dessous, le terme « outil électroportatif » se rapporte à des outils branchés sur le secteur (avec fil) ou à des outils alimentés par piles (sans fil).

CONSERVEZ CES CONSIGNES

Sécurité du lieu de travail

Maintenez le lieu de travail propre et bien éclairé. Les risques d'accident sont plus élevés quand on travaille dans un endroit encombré ou sombre.

N'utilisez pas d'outils électroportatifs dans des atmosphères explosives, comme par exemple en présence de gaz, de poussières ou de liquides inflammables. Les outils électroportatifs produisent des étincelles qui risquent d'enflammer les poussières ou les vapeurs.

Éloignez les enfants et les visiteurs quand vous vous servez d'un outil électroportatif. Vous risquez une perte de contrôle si on vous distrait.

Sécurité électrique

Les fiches des outils électroportatifs doivent correspondre à la prise. Il ne faut absolument jamais modifier la fiche. N'utilisez pas d'adaptateur de prise avec des outils électroportatifs munis d'une fiche de terre. Le risque de choc électrique est moindre si on utilise une fiche non modifiée sur une prise qui lui correspond.

Évitez tout contact du corps avec des surfaces reliées à la terre tels que tuyaux, radiateurs, gazinières ou réfrigérateurs. Le risque de choc électrique augmente si votre corps est relié à la terre.

N'exposez pas les outils électroportatifs à la pluie ou à l'humidité. Si de l'eau pénètre dans un outil électroportatif, le risque de choc électrique augmente.

Ne maltraitez pas le cordon. Ne vous en servez jamais pour transporter l'outil électroportatif, pour le tirer ou pour le débrancher. Éloignez le cordon de la chaleur, des huiles, des arêtes coupantes ou des pièces mobiles. Les cordons abîmés ou emmêlés augmentent les risques de choc électrique.

Si vous utilisez un outil électroportatif à l'extérieur, employez une rallonge conçue pour l'extérieur. Ces rallonges sont faites pour l'extérieur et réduisent le risque de choc électrique.

N'utilisez pas un outil conçu uniquement pour le C.A. sur une alimentation en C.C. Même si l'outil semble fonctionner, les composants électriques d'un outil prévu pour le C.A. tomberont probablement en panne et risquent de créer un danger pour l'utilisateur.

S'il est nécessaire d'utiliser l'outil dans un lieu humide, il faut l'alimenter par l'intermédiaire d'un disjoncteur différentiel de fuite à la terre (DDFT).

L'emploi d'un DDFT et de dispositifs de protection personnelle tels que gants et chaussures d'électricien en caoutchouc améliorent votre sécurité personnelle.

Sécurité personnelle

Restez concentré, faites attention à ce que vous faites, et servez-vous de votre bon sens lorsque vous utilisez un outil électroportatif. N'employez pas d'outils électroportatifs quand vous êtes fatigué ou sous l'emprise de drogues, d'alcool ou de médicaments. Quand on utilise des outils électroportatifs, il suffit d'un moment d'inattention pour causer des blessures corporelles graves.

Utilisez des équipements de sécurité. Portez toujours une protection oculaire. Si les conditions le demandent, il faut porter un masque à poussière, des chaussures de sécurité antidérapantes, un casque de chantier ou une protection auditive pour réduire le risque de blessure corporelle.

Évitez les démarrages intempestifs. Assurez-vous que l'interrupteur est en position arrêt (OFF) avant de brancher l'outil. Transporter un outil électroportatif avec le doigt sur la gâchette ou le brancher quand l'interrupteur est en position "marche" (ON) présente des risques d'accident.

Enlevez toutes les clés de réglage avant de mettre l'outil électroportatif en marche. Si on laisse une clé sur une pièce tournante de l'outil électroportatif, il y a risque de blessure corporelle.

Ne vous penchez pas. Conservez toujours une bonne assise et un bon équilibre. Ceci vous permettra de mieux maîtriser l'outil électroportatif dans des situations inattendues.

Habilitez-vous de manière appropriée. Ne portez pas de vêtements amples ou de bijoux. Attachez les cheveux longs. N'approchez pas les cheveux, les vêtements ou les gants des pièces en mouvement. Les vêtements amples, les bijoux ou les cheveux longs risquent d'être happés par les pièces en mouvement.

Si l'outil est muni de dispositifs permettant le raccordement d'un système d'aspiration et de collecte des poussières, assurez-vous que ces dispositifs sont raccordés et utilisés correctement. L'utilisation de ces dispositifs peut permettre de réduire les dangers liés à la poussière.

Maintenez les poignées sèches et exemptes d'huile et de graisse. On ne peut pas maîtriser un outil électroportatif en toute sécurité quand on a les mains glissantes.

Utilisation et entretien des outils électroportatifs

Ne forcez pas sur l'outil électroportatif. Utilisez l'outil électroportatif qui convient à la tâche à effectuer. L'outil qui convient à la tâche fait un meilleur travail et est plus sûr à la vitesse pour lequel il a été conçu.

Ne vous servez pas de l'outil électroportatif si son interrupteur ne parvient pas à le mettre en marche ou à l'arrêter. Tout outil électroportatif qui ne peut pas être commandé par son interrupteur est dangereux et doit être réparé.

Débranchez la fiche de la prise ou enlevez le bloc-pile de l'outil électroportatif avant tout réglage, changement d'accessoires ou avant de ranger l'outil électroportatif. De telles mesures de sécurité préventive réduisent le risque de démarrage intempestif de l'outil électroportatif.

Rangez les outils électroportatifs dont vous ne vous servez pas hors de portée des enfants et ne permettez pas à des personnes qui ne connaissent pas l'outil électroportatif ou qui ignorent ces consignes de s'en servir. Les outils électroportatifs sont dangereux dans les mains d'utilisateurs inexpérimentés.

Entretenez les outils électroportatifs. Vérifiez que les pièces mobiles sont alignées correctement et ne coincent pas. Vérifiez qu'il n'y a pas de pièces cassées ou d'autre circonstance qui risquent d'affecter le fonctionnement de l'outil électroportatif. Si l'outil est abîmé, faites-le réparer avant de l'utiliser. De nombreux accidents sont causés par des outils électroportatifs mal entretenus.

Maintenez les outils coupants affûtés et propres. Les outils coupants entretenus correctement et dotés de bords tranchants affûtés sont moins susceptibles de coincer et sont plus faciles à maîtriser.

Utilisez l'outil électroportatif, les accessoires, les embouts etc. selon ces consignes et de la manière prévue pour chaque type particulier d'outil électroportatif en tenant compte des conditions de travail et de la tâche à accomplir. L'emploi d'outils électroportatifs pour des tâches différentes de celles pour lesquelles ils ont été prévus peut résulter en une situation dangereuse.

Utilisez des brides ou d'autres moyens pratiques de brider ou de supporter la pièce sur une plate-forme

stable. Tenir la pièce à la main ou contre le corps est instable et risque de résulter en une perte de contrôle.

Utilisation et entretien des outils à piles

Rechargez les piles uniquement avec le chargeur spécifié par le fabricant. Un chargeur qui convient à un type de bloc-piles peut entraîner un risque d'incendie quand il est utilisé avec un autre bloc-piles.

Utilisez des outils alimentés par piles uniquement avec les blocs-piles spécifiquement désignés pour eux. L'utilisation de tout autre bloc-piles peut créer un risque de blessures et d'incendie.

Lorsque le bloc-piles n'est pas utilisé, gardez-le à distances d'autres objets métalliques tels que des trombones, des pièces de monnaie, des clés, des clous, des vis ou de tout autre objet métallique pouvant faire une connexion entre une borne et une autre. Court-circuiter les bornes des piles peut causer des brûlures ou un incendie.

Dans des conditions abusives, du liquide peut être éjecté de la pile ; dans un tel cas, évitez tout contact avec ce liquide. Si un contact se produit accidentellement, rincez avec de l'eau. Si le liquide entre en contact avec les yeux, consultez un médecin. Du liquide éjecté de la pile peut causer des irritations ou des brûlures.

Veillez à ce que l'interrupteur soit dans la position de fermeture avant d'insérer le bloc-piles. L'insertion d'un bloc-piles dans un outil électroportatif dont l'interrupteur est dans la position de marche est une invite aux accidents.

Entretien

Faites réparer votre outil électroportatif par un agent de service qualifié n'utilisant que des pièces de rechange identiques. Ceci assure que la sécurité de l'outil électroportatif est préservée.

Créez un agenda d'entretien périodique pour votre outil. Quand vous nettoyez un outil, faites attention de n'en démonter aucune pièce car il est toujours possible de mal remonter ou de pincer les fils internes ou de remonter incorrectement les ressorts de rappel des capots de protection. Certains agents de nettoyage tels que l'essence, le tétrachlorure de carbone, l'ammoniaque, etc. risquent d'abîmer les plastiques.

CONSERVEZ CES INSTRUCTIONS

Consignes de sécurité pour scies circulaires

▲ AVERTISSEMENT Veuillez lire toutes les consignes de sécurité et instructions.

Procédures de coupe

▲ DANGER Tenez les mains à l'écart de l'aire de coupe et de la lame. Gardez votre deuxième main sur la poignée auxiliaire ou le carter du moteur. Quand les mains tiennent la scie, elles ne peuvent pas être coupées par la lame.

Ce produit est conçu pour scier du bois et produits similaires. L'accumulation de bran de scie provenant d'autres matériaux (plastique, maçonnerie ou métaux) autour du garde inférieur et du moyeu risque d'entraver le fonctionnement du garde inférieur.

N'introduisez pas la main sous la pièce à travailler. Le garde ne peut pas vous protéger de la lame sous la pièce à travailler.

Ne tenez JAMAIS la pièce à couper dans vos mains ou sur vos jambes. Fixez la pièce à travailler sur une plateforme stable. Il importe de supporter l'ouvrage adéquatement afin de minimiser l'exposition corporelle, le grippage de lame ou la perte de contrôle.

Tenez l'outil électroportatif par les surfaces isolées de préhension quand vous effectuez une opération au cours de laquelle l'outil de coupe peut venir en contact avec des fils dissimulés ou son propre cordon. Le contact avec un fil sous tension rendra également les parties métalliques exposées de l'outil sous tension et causera des chocs à l'opérateur.

En refendant, utilisez toujours un guide de refente ou une règle. Ceci améliore l'exactitude de la coupe et réduit les possibilités de grippage de la lame.

Utilisez toujours des lames avec trous d'arbre de la dimension et de la forme appropriées (en diamant par rapport à rondes). Les lames qui ne se marient pas avec le système de montage de la scie ne tourneront pas rond. Il en résultera une perte de contrôle.

N'utilisez jamais des rondelles ou boulons de lame abîmés ou incorrects. Les rondelles et les boulons de lame ont été conçus spécialement pour votre scie, pour une performance optimale et pour un fonctionnement des plus sûrs.

Inspectez la condition et la qualité du bois et si vous trouvez des clous, retirez-les avant de couper. Le bois mouillé, le bois vert ou le bois traité par pression nécessitent une attention spéciale durant la coupe pour prévenir le rebond.

Tenez la scie fermement pour prévenir une perte de contrôle. Les figures de ce manuel illustrent le support manuel typique de la scie.

Suivant l'usage, l'interrupteur peut ne pas durer aussi longtemps que la scie. Si l'interrupteur fait défaut en position d'arrêt, la scie peut ne pas se mettre en marche. S'il devient défectueux pendant que la scie

est en marche, la scie peut ne pas s'arrêter. Dans l'un ou l'autre cas, débranchez la scie immédiatement et ne l'utilisez pas avant qu'elle ne soit réparée.

Cette scie circulaire ne doit pas être montée sur une table et convertie en scie de table. Les scies circulaires ne sont pas conçues ni destinées à être utilisées comme scies de table.

Avertissements relatifs aux rebonds et problèmes associés

Causes et prévention, par l'opérateur, du rebond :

Le rebond est une réaction soudaine à une lame de scie pincée, grippée ou mal alignée, amenant ainsi la scie non contrôlée à lever et ressortir de l'ouvrage en direction de l'opérateur.

Lorsque la lame est pincée ou grippée fermement par le trait de scie qui se referme, la lame bloque et la réaction du moteur ramène rapidement l'outil en direction de l'opérateur.

Si la lame devient tordue ou mal alignée dans la coupe, les dents du bord arrière de la lame peuvent s'enfoncer dans la surface supérieure du bois, amenant ainsi la lame à sortir du trait de scie et à revenir vers l'opérateur.

Le rebond est le résultat d'une utilisation erronée de l'outil et/ou de méthodes ou de conditions de fonctionnement incorrectes, et on peut l'éviter en prenant les précautions appropriées, comme indiqué ci-après :

Maintenez une prise ferme avec les deux mains sur la scie et positionnez votre corps et votre bras de manière à résister aux forces de rebond. Positionnez votre corps d'un côté ou de l'autre de la lame, mais pas dans la trajectoire de la lame. Le rebond peut faire que la lame saute en arrière, mais l'opérateur peut contrôler les forces de rebond en prenant les précautions appropriées.

Lorsque la lame grippe ou lorsqu'une coupe est interrompue pour quelque motif que ce soit, relâchez la gâchette et tenez la scie sans bouger dans l'ouvrage jusqu'à ce que la lame s'arrête complètement. Ne tentez jamais de retirer la scie de l'ouvrage ou de tirer la scie vers l'arrière pendant que la lame est en mouvement, ce qui pourrait provoquer un rebond. Recherchez la cause du grippage de lame et prenez les mesures nécessaires pour le corriger.

Lorsque vous remettez une scie en marche dans un ouvrage, centrez la lame de scie dans le trait de scie et assurez-vous que les dents de scie ne sont pas engagées dans l'ouvrage. Si la lame de scie grippe, elle peut remonter ou rebond depuis l'ouvrage lorsque la scie est remise en marche.

Supportez les gros panneaux pour minimiser le risque de pincement de lame et de rebond. Les gros panneaux ont tendance à s'affaisser sous leur propre poids. Des supports doivent être placés sous le panneau des deux côtés, près de la ligne de coupe et près du bord du panneau.

N'utilisez pas une lame émoussée ou abîmée. Les lames non affûtées ou réglées de façon inappropriée produisent un trait de scie étroit, ce qui cause une friction excessive, un grippage de lame et un rebond.

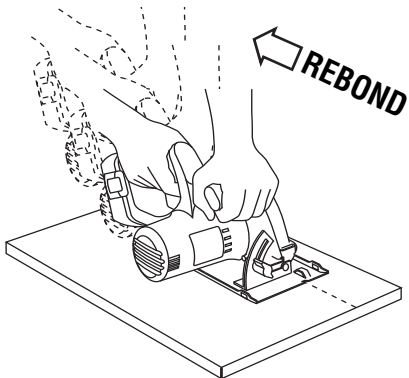
Les leviers de blocage de réglage de biseau et de profondeur de lame doivent être serrés et fermes avant de pratiquer la coupe. Un déplacement du réglage de lame durant la coupe peut causer un grippage et un rebond.

Redoubler de prudence en pratiquant une « coupe en guichet » dans des murs existants ou autres parties aveugles. La lame faisant saillie peut couper des objets qui peuvent causer un rebond.

Les rondelles de lame et le boulon sur votre scie ont été conçus de manière à travailler comme un embrayage pour réduire l'intensité des rebonds. Comprenez le fonctionnement et les réglages de l'EMBRAYAGE À COUPLE VARIABLE. Le réglage approprié de l'embrayage, combiné au maniement ferme de la scie, vous permettra de contrôler le rebond.

Ne placez JAMAIS votre main derrière la lame de la scie. Le rebond pourrait faire sauter la scie vers l'arrière par-dessus votre main.

N'utilisez pas la scie avec un réglage excessif de profondeur de coupe. Une exposition excessive de la lame accroît la possibilité de torsion de la lame dans le trait de scie. Elle accroît également la surface de lame pouvant être pincée, ce qui entraînerait un rebond.



Fonction du garde inférieur

Vérifiez le garde inférieur pour vous assurer qu'il ferme adéquatement avant chaque usage. N'utilisez pas la scie si le garde inférieur ne bouge pas librement et ne ferme pas instantanément. Ne pincez ou ne fixez jamais le garde inférieur en position ouverte. Si la scie tombe par mégarde, le garde inférieur peut être plié. Levez le garde inférieur

uniquement à l'aide de la levier de levage du garde inférieur, et assurez-vous qu'il bouge librement et ne vient pas en contact avec la lame ou aucune autre pièce, sous tous les angles et profondeurs de coupe.

Vérifiez le fonctionnement du ressort du rappel du garde inférieur. Si le garde et le ressort ne fonctionnent pas adéquatement, ils doivent être réparés avant usage. Le garde inférieur peut fonctionner paresseusement en raison de pièces abîmées, de dépôts gommeux ou d'une accumulation de débris.

Le garde inférieur doit être rétracté manuellement uniquement pour des coupes spéciales telles que les « coupes en guichet » et les « coupes combinées ». Levez le garde inférieur à l'aide du levier de levage du garde inférieur. Le garde inférieur doit être relâché dès que la lame pénètre dans l'ouvrage. Pour toutes les autres opérations de sciage, le garde inférieur doit fonctionner automatiquement.

Assurez-vous toujours que le garde inférieur couvre la lame avant de déposer la scie sur l'établi ou le plancher. Une lame non protégée, qui continue à marcher par inertie, fera reculer la scie, coupant ainsi tout ce qui est sur son chemin. Sachez le temps qu'il faut pour que la lame s'arrête après relâchement de l'interrupteur.

Ne faites pas fonctionner l'outil quand vous le portez sur votre hanche. Le garde inférieur peut s'ouvrir au contact avec vos vêtements. Un contact accidentel avec la lame de scie en rotation pourrait provoquer des blessures graves.

À intervalles périodiques, déposez la lame, nettoyez les gardes supérieur et inférieur et la région du moyeu à l'aide de kérosène et essuyez pour sécher, ou nettoyez en soufflant de l'air comprimé. Une maintenance préventive et une utilisation correcte du garde réduiront la probabilité d'un accident.

⚠ AVERTISSEMENT Les travaux à la machine tel que ponçage, sciage, meulage, perçage et autres travaux du bâtiment peuvent créer des poussières contenant des produits chimiques qui sont des causes reconnues de cancer, de malformation congénitale ou d'autres problèmes reproductifs. Ces produits chimiques sont, par exemple :

- Le plomb provenant des peintures à base de plomb,
- Les cristaux de silices provenant des briques et du ciment et d'autres produits de maçonnerie, et
- L'arsenic et le chrome provenant des bois traités chimiquement.

Le niveau de risque dû à cette exposition varie avec la fréquence de ces types de travaux. Pour réduire l'exposition à ces produits chimiques, il faut travailler dans un lieu bien ventilé et porter un équipement de sécurité approprié tel que certains masques à poussière conçus spécialement pour filtrer les particules microscopiques.

Chargeur de pile

Avant d'utiliser le chargeur de pile, lisez toutes les consignes et tous les marquages d'avertissement sur (1) le chargeur de pile, (2) le bloc-pile et (3) le produit utilisant la pile.

N'utilisez que le chargeur qui accompagnait votre produit ou remplacement direct, comme indiqué dans le catalogue ou ce manuel. Ne substituez aucun autre chargeur. N'utiliser que les chargeurs approuvés par Bosch avec votre produit. Voir Description fonctionnelle et Spécifications.

Ne désassemblez pas le chargeur et ne l'utilisez pas s'il a reçu un choc violent, s'il est tombé ou s'il a été endommagé par ailleurs. Remplacez immédiatement les cordons ou les fiches abîmés. Un remontage incorrect ou des dommages peuvent provoquer un incendie ou des secousses électriques.

Ne rechargez pas la pile dans un environnement mouillé ou humide. N'exposez pas le chargeur à la pluie ou la neige. Si le boîtier de la pile est fissuré ou endommagé par ailleurs, ne l'insérez pas dans le chargeur. Il pourrait y avoir un incendie ou un court-circuit de pile.

Ne charger que des piles rechargeables approuvées par Bosch. Voir Description fonctionnelle et Spécifications. Les autres types de piles peuvent éclater causant ainsi des blessures et des dommages.

Chargez le bloc-pile à des températures de plus de 4 degrés C (+40°F) et de moins de 41 degrés C (+105°F). Conservez l'outil et le bloc-pile à des

endroits où la température ne descend pas sous 4 degrés C ou ne dépasse pas 49 degrés C. Laissez le bloc-pile revenir à la température ambiante avant de tenter de charger. Ceci est important pour prévenir des dommages considérables aux éléments des piles.

Il peut y avoir une fuite de pile dans des conditions extrêmes d'utilisation ou de température. Évitez tout contact avec la peau et les yeux. Le liquide de pile est caustique et pourrait causer des brûlures chimiques aux tissus. Si le liquide vient en contact avec la peau, lavez rapidement à l'eau savonneuse, puis au jus de citron ou au vinaigre. Si le liquide vient en contact avec les yeux, rincez-les à l'eau pendant au moins 10 minutes et sollicitez des soins médicaux.

Posez le chargeur sur une surface plate inflammable et à distance de matériaux inflammables lorsqu'on recharge un bloc-piles. Le chargeur et le bloc-piles s'échauffent pendant la charge. Le coussinet de mousse souple et autres surfaces isolantes empêchent la circulation normale de l'air, ce qui peut provoquer une surchauffe du chargeur et du bloc-piles. S'il y a dégagement de fumée ou si le boîtier fond, débranchez le chargeur immédiatement et n'utilisez ni le chargeur, ni le bloc-piles.

L'utilisation d'un accessoire non recommandé ni vendu par Bosch peut causer des risques d'incendie, de chocs électriques ou de lésions corporelles.

Entretien des piles

⚠ AVERTISSEMENT Lorsque les piles ne sont pas dans l'outil ou le chargeur, gardez-les à l'écart d'objets métalliques. Ainsi, pour éviter un court-circuitage des bornes, **NE PLACEZ PAS** les piles dans la boîte à outils ou dans la poche avec des clous, des vis, des clés, etc. Ceci peut provoquer un incendie ou des blessures.

⚠ AVERTISSEMENT Afin d'éviter tout risque d'incendie ou de blessure lorsque les piles ne sont pas dans l'outil ou dans le chargeur, placez toujours un capuchon de sécurité sur l'extrémité du bloc-piles. Le capuchon de protection protège contre les courts circuits aux bornes.

NE METTEZ PAS LES PILES AU FEU ET NE LES EXPOSEZ PAS À UNE CHALEUR ÉLEVÉE. Elles peuvent exploser.

Mise au rebut des piles

AVERTISSEMENT Ne tentez pas de désassembler le bloc-piles ou d'enlever tout composant faisant saillie des bornes de piles, ce qui peut provoquer un incendie ou des blessures. Avant la mise au rebut, protégez les bornes exposées à l'aide d'un ruban isolant épais pour prévenir le court-circuitage.

PILES NICKEL-CADMIUM

Si le produit est équipé d'une pile nickel-cadmium, la pile doit être ramassée, recyclée ou mise au rebut d'une manière qui ne soit pas nocive pour l'environnement.



“Le sceau RBRC de recyclage des piles, homologué par l'EPA (Agence pour la protection de l'environnement des États-Unis), qui se trouve sur les piles au nickel-cadmium (Ni-Cd) indique que Robert Bosch Tool Corporation

participe volontairement à un programme industriel de ramassage et de recyclage de ces piles au terme de

leur vie utile, pourvu qu'elles soient mises hors service aux États-Unis ou au Canada. Le programme du RBRC offre une alternative pratique à la mise des piles au Ni-Cd usées au rebut ou au ramassage d'ordures municipal, ce qui pourrait être interdit dans votre région.




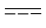
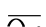




Veillez appeler le 1-800-8-BATTERY pour obtenir de plus amples renseignements sur le recyclage des piles au Ni-Cd et sur les restrictions ou interdictions de mise au rebut qui s'appliquent à votre région ou renvoyez vos piles à un Centre de Service Skil/Bosch/Dremel pour recyclage. La participation de Robert Bosch Tool Corporation à ce programme s'insère dans le contexte de notre engagement à préserver notre environnement et à conserver nos ressources naturelles.”

PILES NICKEL-HYDRURE DE MÉTAL

Si le produit est équipé d'une pile nickel-hydrure de métal, la pile peut être mise au rebut dans un flux de déchets solides municipaux.

Symboles

IMPORTANT : Certains des symboles suivants peuvent être utilisés sur votre outil. Veuillez les étudier et apprendre leur signification. Une interprétation appropriée de ces symboles vous permettra d'utiliser l'outil de façon plus efficace et plus sûre.

Symbole	Nom	Désignation/Explication
V	Volts	Tension (potentielle)
A	Ampères	Courant
Hz	Hertz	Fréquence (cycles par seconde)
W	Watt	Puissance
kg	Kilogrammes	Poids
min	Minutes	Temps
s	Secondes	Temps
∅	Diamètre	Taille des mèches de perceuse, meules, etc.
n_0	Vitesse à vide	Vitesse de rotation, à vide
.../min	Tours ou mouvement alternatif par minute	Tours, coups, vitesse en surface, orbites, etc., par minute
0	Position d'arrêt	Vitesse zéro, couple zéro ...
1, 2, 3, ... I, II, III, ...	Réglages du sélecteur	Réglages de vitesse, de couple ou de position. Un nombre plus élevé signifie une vitesse plus grande.
	Sélecteur variable à l'infini avec arrêt	La vitesse augmente depuis le réglage 0
	Flèche	Action dans la direction de la flèche
	Courant alternatif	Type ou caractéristique du courant
	Courant continu	Type ou caractéristique du courant
	Courant alternatif ou continu	Type ou caractéristique du courant
	Construction classe II	Désigne des outils construits avec double isolation
	Borne de terre	Borne de mise à la terre
	Symbole d'avertissement	Alerte l'utilisateur aux messages d'avertissement.
	Sceau Ni-Cad RBRC	Désigne le programme de recyclage des piles Ni-Cad.



Ce symbole signifie que cet outil est approuvé par Underwriters Laboratories.



Ce symbole signifie que cet outil est approuvé conformément aux normes canadiennes par Underwriters Laboratories.



Ce symbole signifie que cet outil se conforme aux normes mexicaines NOM.



Ce symbole signifie que cet outil est approuvé par l'Association canadienne de normalisation.



Ce symbole signifie que cet outil est approuvé par Underwriters Laboratories et qu'il a été homologué selon les normes canadiennes par Underwriters Laboratories.

Description fonctionnelle et spécifications

AVERTISSEMENT Débranchez le bloc-pile de l'outil ou placez l'interrupteur à la position de blocage ou d'arrêt avant d'effectuer tout assemblage ou réglage ou de changer les accessoires. Ces mesures de sécurité préventives réduisent le risque d'une mise en marche accidentelle de l'outil.

Scies circulaires sans fil

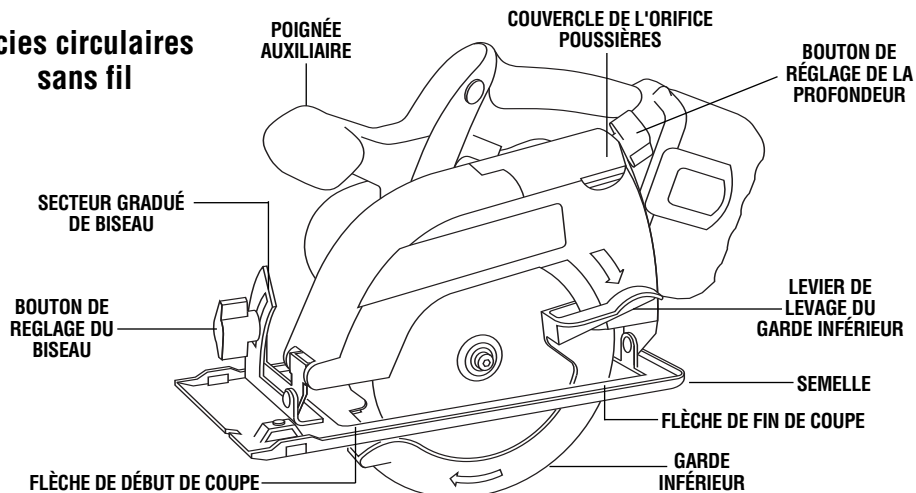
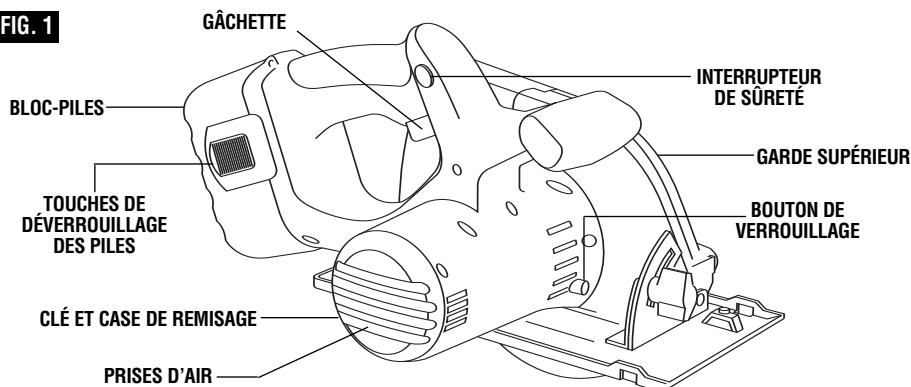


FIG. 1



Numéro de modèle	1659	1661
Tension nominale	18 V ===	14,4 V ===
Régime à vide	n_0 3 600/min	n_0 3 600/min
Chargeur	BC003,4,6 et BC016 BC130 et BC230	BC001-6 et BC016 BC130 et BC230
Tension nominale	120 V ~ 60 Hz	120 V ~ 60 Hz
Bloc piles	BAT025 et BAT26 BAT160 à BAT189	BAT040 BAT140 à BAT159

Capacités maximales	
Lame	137 mm
Profondeur de coupe à 90°	41 mm
Profondeur de coupe à 45°	32 mm

ATTENTION : Utilisez uniquement des lames à voie étroite conçues pour les scies circulaires sans fil.

Le chargeur BC006 nécessite une puissance d'alimentation de 12 V CC.

NOTE : N'UTILISER QUE LES CHARGEURS REPERTORIÉS CI-DESSUS

En rechange, nous vous conseillons d'utiliser les lames pour scies circulaires sans fil Bosch. Leur voie étroite et la conception de leurs dents permettent d'obtenir de meilleures vitesse et qualité de sciage tout en réduisant l'usure de la pile. Si vous utilisez des lames standards, la performance de la scie sera nettement dégradée et les piles s'useront plus vite.

Assemblage

MONTAGE DE LA LAME

⚠ AVERTISSEMENT Débranchez le bloc-pile de l'outil ou placez l'interrupteur à la position de blocage ou d'arrêt avant d'effectuer tout assemblage ou réglage ou de changer les accessoires. Ces mesures de sécurité préventives réduisent le risque d'une mise en marche accidentelle de l'outil.

1. Tournez le GOUJON DE LAME à l'aide de la clé fournie en sens horaire et retirez le GOUJON DE LAME et la RONDELLE EXTÉRIEURE (Fig. 2). Si l'arbre bouge en tentant de desserrer le goujon de lame, appuyez sur le bouton de blocage (Fig.1).
2. Faites remonter le garde inférieur de la lame en le laissant coulisser totalement à l'intérieur du capot. Profitez-en pour vérifier l'état et le fonctionnement du RESSORT DU GARDE INFÉRIEUR.
3. Assurez-vous que les dents de la scie et la flèche sur la lame sont dirigées dans le même sens que la flèche figurant sur le garde inférieur de la lame.
4. Glissez la lame dans la fente de la semelle et placez-la contre la RONDELLE INTÉRIEURE de l'arbre. Assurez-vous que le plus grand côté des rondelles INTÉRIEURE et EXTÉRIEURE appuie carrément sur la lame.
5. Réinstallez la RONDELLE EXTÉRIEURE et serrez le GOUJON DE LAME à la main. La face de la rondelle extérieure de lame comporte des graduations sur son pourtour qui vous aideront à ajuster adéquatement le goujon de lame. Appuyez sur le bouton de blocage pour bloquer l'arbre et À L'AIDE DE LA CLÉ FOURNIE, SERREZ LE GOUJON DE LAME EN SENS ANTI-

HORAIRE D'UNE GRADUATION DE LA RONDELLE EXTÉRIEURE DE LAME.

N'utilisez pas de clés plus longues car vous risqueriez de trop serrer le goujon.

EMBRAYAGE « VARI-TORQUE »

L'embrayage est assuré par la friction de la RONDELLE EXTÉRIEURE sur la LAME et il permet à l'arbre de continuer à tourner si la lame éprouve une résistance excessive. Si le GOUJON DE LA LAME est correctement serré (tel qu'il est expliqué à l'étape 5 du chapitre intitulé Montage de la lame), la lame glissera sur son arbre quand elle éprouve une résistance excessive, ce qui réduit le risque de REBOND.

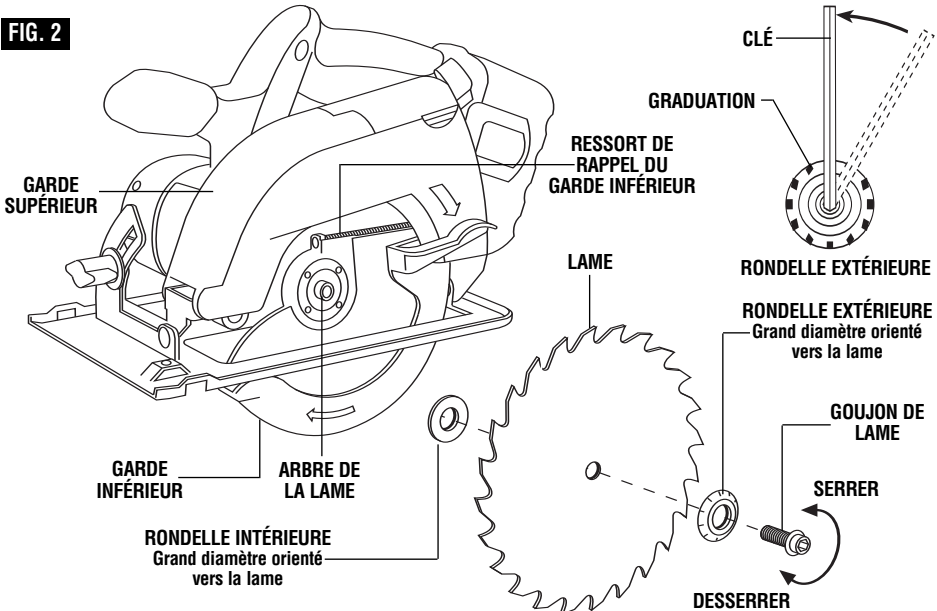
Il est possible qu'un seul et même réglage ne convienne pas à tous les matériaux. Si la lame patine trop, serrez le goujon de lame d'une demi-graduation de plus. LE SERRAGE EXCESSIF DU GOUJON DE LA LAME REND LE DISPOSITIF DE DÉBRAYAGE ABSOLUMENT INUTILE.

EXTRACTION DE POUSSIÈRE

Votre outil est équipé d'un adaptateur d'orifice poussière pour extraction de la poussière et des copeaux. Pour utiliser ce système, ouvrez le couvercle de l'orifice de poussières et raccordez un flexible d'aspiration (accessoire en option). Raccordez l'autre extrémité du flexible sur un aspirateur d'atelier.

⚠ AVERTISSEMENT Pour empêcher toute blessure corporelle, placez toujours le flexible d'aspiration de manière à ce qu'il n'interfère pas avec la garde inférieure ou le sciage quel que soit le réglage.

FIG. 2

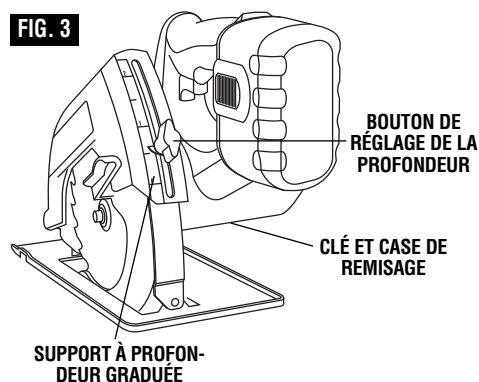


Consignes de fonctionnement

RÉGLAGE DE LA PROFONDEUR DE COUPE

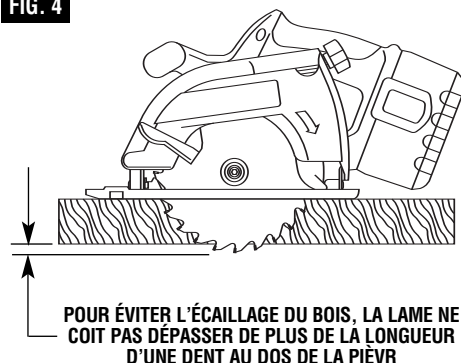
Débranchez le bloc-pile de l'outil. Desserrez le bouton de réglage de profondeur situé à l'arrière du garde supérieur. Maintenez la semelle en place d'une main et levez ou baissez la scie par la poignée de l'autre main. Serrez le bouton à la profondeur de coupe désirée. Vérifiez si la profondeur est bien celle que vous désirez (Fig. 3).

FIG. 3



Pour réduire le risque d'écaillage des bords de la pièce à couper, la lame ne devrait pas dépasser de plus de la longueur d'une dent au dos de la pièce (Fig. 4).

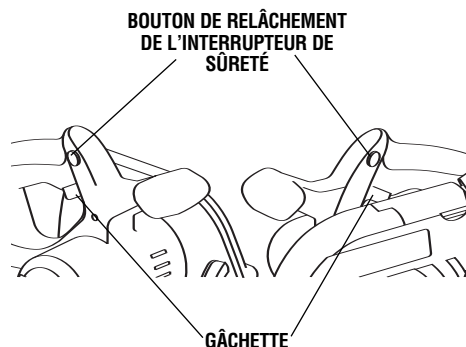
FIG. 4



INTERRUPTEUR DE SÛRETÉ

L'interrupteur de sûreté est conçu de manière à prévenir les démarrages accidentels. Pour actionner l'interrupteur de sûreté, appuyez sur le bouton de relâchement avec votre pouce d'un côté ou de l'autre de la poignée afin de déverrouiller, puis tirez la gâchette (Fig. 5). Lorsque la gâchette est relâchée, le bouton engage automatiquement l'interrupteur de sûreté, et la gâchette n'est plus en fonction (reportez-vous à « Interrupteur et coupes générales » à la page 25).

FIG. 5



VÉRIFICATION DE L'ANGLE DE COUPE 90°

Débranchez le bloc-pile de l'outil. Réglez la semelle à la profondeur de coupe maximale. Desserrez le bouton de réglage de la coupe en biseau, réglez-le à 0° sur le secteur ; resserrez-le bouton et, à l'aide d'une équerre vérifiez si la lame forme exactement un angle de 90° avec la surface plane du dessous de la semelle (Fig. 6). Si un réglage s'avère nécessaire, inclinez la semelle à 45°, serrez l'écrou à oreilles de réglage du biseau, et pliez la « PATTE » à l'aide d'une clé réglable ou de pinces (Fig. 7).

FIG. 6

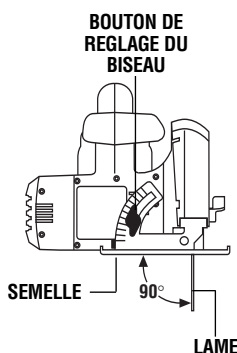
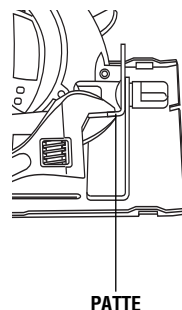
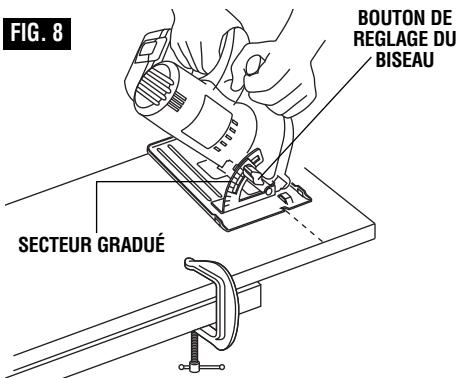


FIG. 7



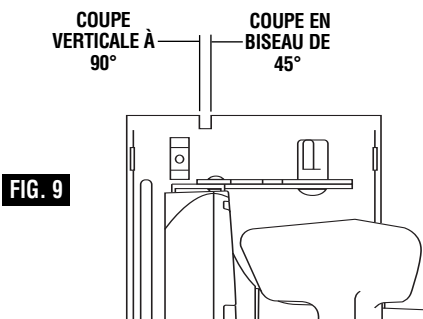
RÉGLAGE DE LA COUPE EN BISEAU

Débranchez le bloc-pile de l'outil. L'angle formé par la lame par rapport à la semelle peut être réglé jusqu'à 50° en desserrant le bouton de réglage de biseau à l'avant de la scie. Réglez le bouton à l'angle désiré sur le secteur gradué (Fig. 8). En raison de l'engagement d'une plus grande surface de la lame dans la pièce et la stabilité réduite de la semelle, la lame risque de gripper. Suivez la ligne de coupe, la semelle de la scie bien d'aplomb sur la pièce.



GUIDE D'ALIGNEMENT

Dans le cas d'une coupe droite à 90°, guidez-vous sur le côté droit de l'encoche dans la semelle. Pour les coupes en biseau de 45°, guidez-vous plutôt sur le côté gauche (Fig. 9). L'encoche-guide vous procurera une ligne de coupe plus ou moins exacte. Faites une coupe d'essai dans une retaille pour en vérifier l'exactitude. Il est bon de prendre une telle mesure en raison du vaste assortiment de lames de toutes épaisseurs sur le marché. Pour éviter autant que possible d'abîmer le bon côté du matériau à couper, il est recommandé de tourner ce côté vers le bas.



INTERRUPTEUR

Appuyez sur la gâchette pour mettre l'outil en marche ; relâchez-la pour l'arrêter. La gâchette retourne automatiquement à la position d'arrêt.

La scie devrait tourner à plein régime AVANT de commencer à scier et elle ne devrait être arrêtée qu'APRÈS avoir terminé la coupe. Pour prolonger la durée utile de l'interrupteur, évitez de mettre le moteur en marche et de l'arrêter en sciant.

FREIN

Quand on relâche la gâchette, le frein est actionné et arrête rapidement la lame. Cette caractéristique est des plus utiles lors de sciages à répétition.

COUPES RÉGULIÈRES

Tenez toujours la poignée de la scie d'une main et la poignée auxiliaire ou le logement de l'autre main.

Assurez-vous que la semelle de la scie repose toujours sur la portion de la surface de la pièce qui ne plonge pas.

AVERTISSEMENT Assurez-vous que vos mains ne gênent pas le mouvement de la garde inférieure.

Serrez-la fermement et actionnez l'interrupteur énergiquement. Ne forcez jamais la scie outre mesure. Exercez une pression modérée et soutenue.

AVERTISSEMENT Après avoir terminé une coupe et relâché la gâchette, souvenez-vous que la lame ralentit et qu'il lui faut un certain temps pour s'arrêter complètement. Évitez que la scie ne vienne frôler votre jambe ou votre côté car, étant donné qu'il est rétractible, le garde inférieur de la lame risquerait de s'agripper à vos vêtements et d'exposer la lame. Sachez qu'une partie de la lame est exposée en permanence à l'endroit où finissent le capot et le garde inférieur de la lame.

Pour recommencer à scier, suivant un arrêt, appuyez sur la gâchette et attendez que la lame ait atteint son régime maximal avant de rentrer lentement dans la pièce.

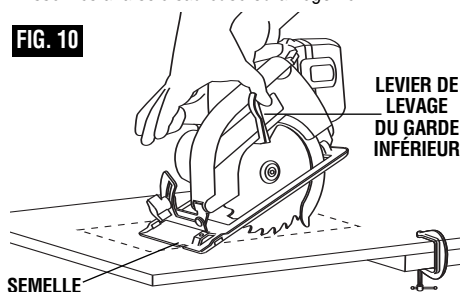
Lors de coupes en travers, les fibres du bois ont tendance à se déchiqueter et à se soulever. Vous pouvez minimiser le problème en avançant lentement la scie. Pour réaliser une coupe nette, il est recommandé d'utiliser une lame pour coupe en travers ou à onglets.

COUPES EN GUICHET

Débranchez le bloc-pile de l'outil avant de procéder aux réglages. Réglez la lame à la profondeur correspondant à l'épaisseur du matériau à tailler. Inclinez la scie vers l'avant en alignant l'encoche-guide sur la ligne de coupe. Relevez le garde inférieur de la lame, au moyen du levier de levage, et tenez la scie par ses poignées avant et arrière (Fig. 10).

La lame touchant presque à la pièce à tailler, mettez le moteur en marche. Abaissez graduellement l'arrière de la scie en utilisant l'extrémité avant de la semelle comme point d'appui. **AVERTISSEMENT : Aussitôt que la lame commence à trancher le matériau, relâchez le garde inférieur immédiatement.** Dès que la semelle repose bien à plat sur la surface que vous coupez, continuez la coupe en poussant la scie vers l'avant jusqu'à la fin de la ligne. **AVERTISSEMENT : Attendez l'arrêt complet de la lame avant de retirer la scie du trait que vous venez de tailler dans le matériau. De même, ne ramenez jamais la scie vers l'arrière, car la lame peut sortir du matériau risquant de provoquer un REBOND.** Soulevez la scie et tournez-la en sens opposé pour achever normalement la coupe dans l'autre sens. Si les coins de votre coupe en guichet ne sont pas complètement taillés, finissez-les à la scie sauteuse ou à l'égoïne.

FIG. 10



COUPE DE GRANDES FEUILLES

Les grandes feuilles et les longs panneaux fléchissent ou plient, selon la façon dont ils sont soutenus. Si vous essayez de les couper sans les avoir mis au niveau et soutenus par des supports au préalable, la lame aura tendance à gripper provoquant des REBONDS et la surcharge du moteur (Fig. 11).

Placez le panneau ou la planche sur des supports situés à proximité de la ligne de coupe, comme l'indique la fig. 12. Assurez-vous que la profondeur de coupe est réglée de manière à ce que la lame ne traverse que la feuille ou la planche à couper, sans faire d'entailles dans la table de travail ou l'établi. Les deux-par-quatre utilisés pour soulever et soutenir la pièce devraient reposer à plat entre celle-ci et la table ou l'établi. Ne placez jamais les deux-par-quatre sur leurs côtés plus étroits car cet arrangement manquerait de stabilité. Si la feuille ou le panneau est plus grand que la table ou l'établi, placez-le sur des deux-par-quatre sur le plancher et assujettissez-le.

FIG. 11

MAUVAISE MANIÈRE

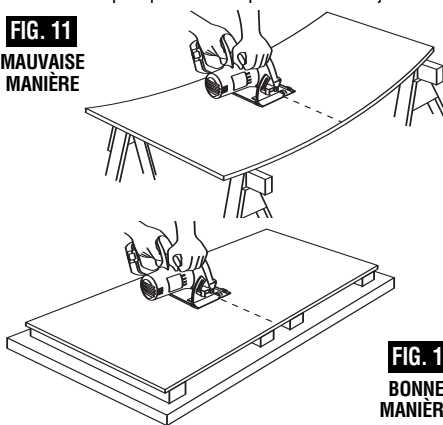


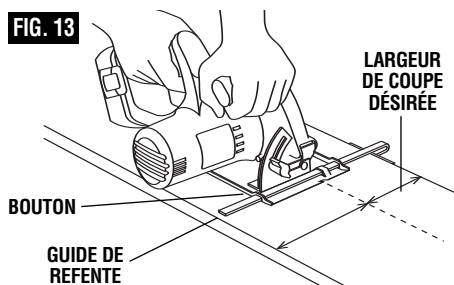
FIG. 12

BONNE MANIÈRE

COUPES DE REFENTE

La lame universelle fournie avec la scie convient tant pour les coupes en travers que pour les coupes de refente. La refente est la coupe en long, en sens du grain du bois. Les coupes de refente sont faciles à exécuter avec un guide de refente (Fig. 13). Le guide de refente (non livré avec la scie) est disponible moyennant supplément de prix. Pour fixer le guide, insérez le guide à travers les fentes pratiquées dans la semelle jusqu'à la largeur désirée, comme illustré, et fixez à l'aide de bouton.

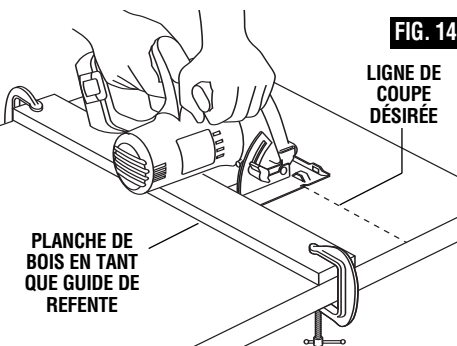
FIG. 13



UTILISATION D'UNE PLANCHE COMME GUIDE DE REFENTE

Si vous devez exécuter une coupe de refente sur de grandes feuilles, il est possible que le guide de refente ne soit pas assez long pour permettre d'exécuter une coupe à la largeur désirée. Dans ce cas, une planche bien droite de 25 mm (1") d'épaisseur fixée à la feuille au moyen de serres ou de clous peut servir de guide (Fig. 14). Faites glisser le côté droit de la semelle contre la planche.

FIG. 14



DÉPOSE ET REPOSE DU BLOC-PILES

Enlevez le bloc-piles de l'outil en pinçant les deux côtés à la hauteur des touches de déverrouillage et en le tirant vers le bas. Avant d'introduire le bloc-piles, retirez le capuchon de protection de celui-ci. Pour

remettre le bloc dans l'outil, glissez-le dans l'ouverture jusqu'à ce qu'il se verrouille en place. Ne forcez pas outre mesure.

REMARQUES IMPORTANTES CONCERNANT LA CHARGE

1. Lors des premiers cycles de charge, le bloc-piles neuf n'absorbe que 80 % de sa capacité maximale. Par la suite, cependant, les piles se chargeront à pleine capacité.

2. De même, le chargeur n'est destiné qu'à la charge rapide des bloc-piles dont la température se situe entre 4°C (40°F) et 41°C (105°F).

3. Une diminution marquée de la réserve énergétique entre les charges peut signaler l'épuisement du bloc-piles et le besoin d'un remplacement.

4. Si vous prévoyez de longues périodes (à savoir, un mois ou plus) de non-utilisation de votre outil, il est préférable d'utiliser votre outil jusqu'à ce que sa pile soit entièrement déchargée avant de remiser votre bloc-pile. Après une longue période de remisage, la capacité sera réduite à la première recharge. La capacité normale sera rétablie en deux ou trois cycles de charge/décharge. N'oubliez pas de débrancher le chargeur durant la période de remisage.

5. Si le bloc-piles ne se charge pas normale-ment :

a. Vérifiez la présence de courant à la prise en y branchant un autre appareil électrique.

b. Vérifiez si la prise n'est pas raccordée conjointement à un interrupteur qui servirait à éteindre les lumières.

c. Vérifiez la propreté des bornes du bloc-piles. Nettoyez-les au besoin avec un bâtonnet imbibé d'alcool.

d. Si vous n'arrivez toujours pas à obtenir la charge satisfaisante, confiez l'outil, le bloc-piles et le chargeur à votre centre d'entretien Bosch habituel. Voir les noms et adresses des centres d'entretien sous la rubrique « Outils électriques » dans les pages jaunes de l'annuaire de téléphone.

Remarque : L'utilisation de chargeurs ou de bloc-piles non vendus par Bosch annule la garantie.

CHARGEMENT DU BLOC-PILES (30 MN, UNE BAIE – BC130)

TÉMOINS, SYMBOLES ET SIGNIFICATION

Si le témoin lumineux vert est éteint, ceci signifie que le chargeur ne reçoit pas de courant de la prise de courant.



Si le voyant vert s'allume, le chargeur est branché mais le bloc-piles n'est pas en place ou le bloc-piles est pleinement chargé et ne reçoit qu'une charge de maintien.



Si le voyant vert « CLIGNOTE » pendant la charge rapide du bloc-piles. La charge rapide prend automatiquement fin dès que le bloc-piles est totalement chargé.



Si le voyant rouge est allumé, le bloc-piles est trop chaud ou trop froid pour prendre la charge rapide. Le chargeur adoptera la charge de maintien jusqu'à ce que la température se normalise, alors qu'il passera automatiquement à la charge rapide.



Si le voyant rouge « CLIGNOTE », cela signifie que le bloc-piles ne peut pas accepter une charge ou que les contacts du chargeur ou du bloc-piles sont souillés. Nettoyez les contacts du chargeur ou du bloc-piles conformément aux recommandations des présentes instructions ou celles qui accompagnaient l'outil ou le bloc-piles.

Branchez le cordon du chargeur dans votre prise de courant standard. Avant d'introduire le bloc-piles, retirez le capuchon de protection et introduisez le bloc-piles dans le chargeur (Fig. 15).

Le témoin vert du chargeur commencera à CLIGNOTER, ce qui indique que la pile reçoit une charge rapide. La charge rapide s'arrêtera automatiquement lorsque le bloc-pile est à pleine charge.

Lorsque le témoin lumineux cesse de clignoter (et devient vert en continu), ceci signifie que la charge rapide est terminée.

On peut utiliser le bloc-pile même si le témoin clignote encore. Il peut falloir plus de temps pour que le témoin cesse de clignoter, suivant la température. Lorsque vous commencez le processus de charge du bloc-pile,

un témoin rouge continu pourrait également signifier que le bloc-pile est trop chaud ou trop froid.

Le témoin vert a pour but d'indiquer que le bloc-pile est en charge rapide. Il n'indique pas le point exact de pleine charge. Le témoin cessera de clignoter en moins de temps si le bloc-pile n'était pas entièrement déchargé.

Lorsque plusieurs piles sont chargées l'une après l'autre, le temps de charge peut augmenter légèrement.

Lorsque le bloc-pile est entièrement chargé, débranchez le chargeur (à moins que vous ne chargiez un autre bloc-pile) et insérez le bloc-pile dans l'outil.

Afin d'éviter tout risque d'incendie ou de blessure lorsque les piles ne sont pas dans l'outil ou dans le chargeur, placez toujours un capuchon de sécurité sur l'extrémité du bloc-piles.

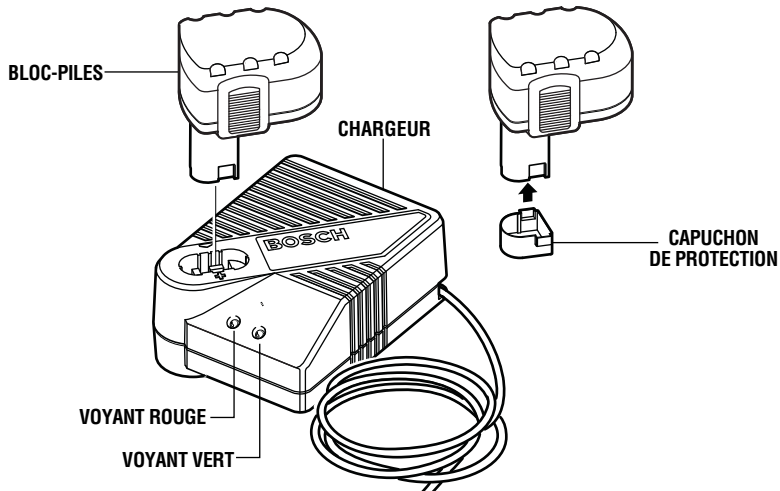


FIG. 15

CHARGEMENT DU BLOC-PILES (30 MN, DEUX BAIES – BC230)

TÉMOINS, SYMBOLES ET SIGNIFICATION

Si le témoin lumineux vert est éteint, ceci signifie que le chargeur ne reçoit pas de courant de la prise de courant.



Si le voyant rouge est allumé, le bloc-piles est trop chaud ou trop froid pour prendre la charge rapide. Le chargeur adoptera la charge de maintien jusqu'à ce que la température se normalise, alors qu'il passera automatiquement à la charge rapide.



Si le voyant rouge « CLIGNOTE », cela signifie que le bloc-piles ne peut pas accepter une charge ou que les contacts du chargeur ou du bloc-piles sont

souillés. Nettoyez les contacts du chargeur ou du bloc-piles conformément aux recommandations des présentes instructions ou celles qui accompagnaient l'outil ou le bloc-piles.



Si le voyant vert « CLIGNOTE » pendant la charge rapide du bloc-piles. La charge rapide prend automatiquement fin dès que le bloc-piles est totalement chargé.



Si le voyant vert s'allume, le chargeur est branché mais le bloc-piles n'est pas en place ou le bloc-piles est pleinement chargé et ne reçoit qu'une charge de maintien.

Branchez le cordon du chargeur dans votre prise de courant standard. Avant d'introduire le bloc-piles, retirez le capuchon de protection et introduisez le bloc-piles dans le chargeur (Fig. 16).

Le témoin vert du chargeur commencera à CLIGNOTER, ce qui indique que la pile reçoit une charge rapide. La charge rapide s'arrêtera automatiquement lorsque le bloc-pile est à pleine charge.

Lorsque le témoin lumineux cesse de clignoter (et devient vert en continu), ceci signifie que la charge rapide est terminée.

On peut utiliser le bloc-pile même si le témoin clignote encore. Il peut falloir plus de temps pour que le témoin cesse de clignoter, suivant la température. Lorsque vous commencez le processus de charge du bloc-pile,

un témoin rouge continu pourrait également signifier que le bloc-pile est trop chaud ou trop froid.

Le témoin vert a pour but d'indiquer que le bloc-pile est en charge rapide. Il n'indique pas le point exact de pleine charge. Le témoin cessera de clignoter en moins de temps si le bloc-pile n'était pas entièrement déchargé.

Lorsque plusieurs piles sont chargées l'une après l'autre, le temps de charge peut augmenter légèrement.

Lorsque le bloc-pile est entièrement chargé, débranchez le chargeur (à moins que vous ne chargiez un autre bloc-pile) et insérez le bloc-pile dans l'outil.

Afin d'éviter tout risque d'incendie ou de blessure lorsque les piles ne sont pas dans l'outil ou dans le chargeur, placez toujours un capuchon de sécurité sur l'extrémité du bloc-piles.

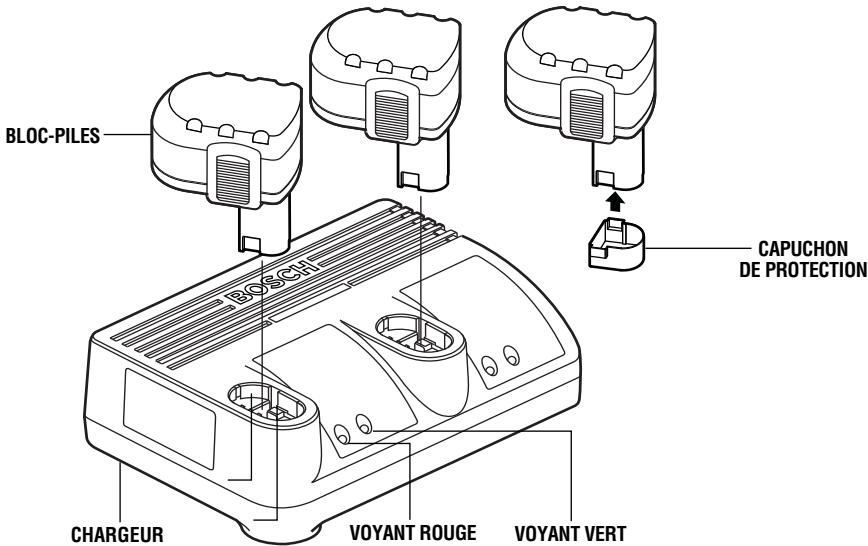


FIG. 16

CHARGE DU BLOC-PILE (CHARGEUR DE 1 HEURE)

TÉMOINS, SYMBOLES ET SIGNIFICATION

Si le témoin lumineux vert est éteint, ceci signifie que le chargeur ne reçoit pas de courant de la prise de courant.



Si le voyant vert s'allume, le chargeur est branché mais le bloc-piles n'est pas en place ou le bloc-piles est pleinement chargé et ne reçoit qu'une charge de maintien, ou le bloc-piles

est trop chaud ou trop froid pour prendre la charge rapide. Le chargeur adoptera la charge de maintien jusqu'à ce que la température se normalise, alors qu'il passera automatiquement à la charge rapide.



Si le voyant vert « CLIGNOTE » pendant la charge rapide du bloc-piles. La charge rapide prend automatiquement fin dès que le bloc-piles est totalement chargé.

Branchez le cordon du chargeur dans votre prise de courant standard. Avant d'introduire le bloc-piles, retirez le capuchon de protection et introduisez le bloc-piles dans le chargeur (Fig. 17).

Le témoin vert du chargeur commencera à CLIGNOTER, ce qui indique que la pile reçoit une charge rapide. La charge rapide s'arrêtera automatiquement lorsque le bloc-pile est à pleine charge.

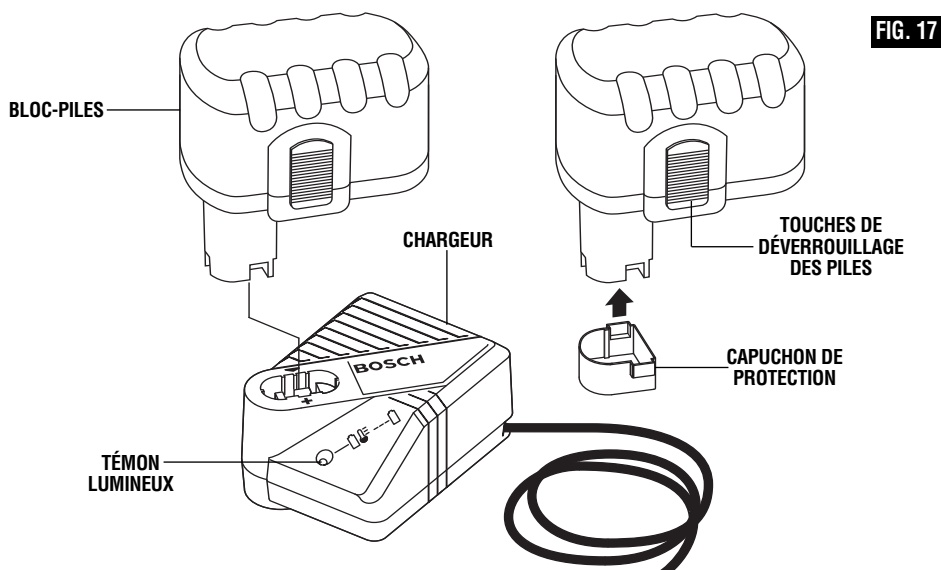
Le témoin CESSE DE CLIGNOTER (et s'allume en vert continu) au terme de la charge rapide.

Lorsque vous commencez le processus de charge du bloc-pile, un témoin vert continu pourrait également signifier que le bloc-pile est trop chaud ou trop froid.

Le témoin a pour but d'indiquer que le bloc-pile est en charge rapide. Il n'indique pas le point exact de pleine charge. Le témoin cessera de clignoter en moins de temps si le bloc-pile n'était pas entièrement déchargé.

Lorsque le bloc-pile est entièrement chargé, débranchez le chargeur (à moins que vous ne chargiez un autre bloc-pile) et réinsérez le bloc-pile dans la poignée de l'outil.

Afin d'éviter tout risque d'incendie ou de blessure lorsque les piles ne sont pas dans l'outil ou dans le chargeur, placez toujours un capuchon de sécurité sur l'extrémité du bloc-piles. Le capuchon de protection protège contre les courts circuits aux bornes.



Entretien

Service

AVERTISSEMENT IL N'EXISTE À L'INTÉRIEUR AUCUNE PIÈCE SUSCEPTIBLE D'ÊTRE ENTRETENUE PAR L'UTILISATEUR. L'entretien préventif exécuté par des personnes non autorisées peut entraîner un positionnement erroné des composants et des fils internes, ce qui peut présenter de graves dangers.

Nous recommandons de confier toute intervention d'entretien sur l'outil à un centre de service-usine Bosch ou à un centre de service après-vente Bosch agréé. **TECHNICIENS :** Débranchez l'outil et/ou le chargeur de la source de courant avant d'entretenir.

PILES

Faire attention aux blocs-piles qui approchent la fin de leur vie. Si vous remarquez une diminution dans les performances de votre outil ou une durée de fonctionnement réduite de manière significative entre charges, il est temps de remplacer le bloc-piles. S'il n'est pas remplacé, il se peut qu'il endommage le chargeur ou que l'outil fonctionne incorrectement.

Les piles doivent être déchargées avant de les entreposer pour une longue durée. Les blocs-piles durent plus longtemps et se rechargent mieux quand ils sont rangés déchargés. Rappelez-vous qu'il faut complètement recharger les blocs-piles avant toute utilisation survenant après un stockage prolongé.

GRAISSAGE DE L'OUTIL

Votre outil Bosch a été graissé de manière appropriée et il est prêt à l'usage.

MOTEURS C.C.

Le moteur de votre outil a été conçu pour de nombreuses heures d'utilisation fiable. Pour maintenir l'efficacité maximale du moteur, nous recommandons de l'examiner tous les six mois. Seul un moteur de remplacement Bosch authentique, conçu spécialement pour votre outil, doit être utilisé.

ROULEMENTS

Les roulements qui deviennent bruyants (en raison d'une charge importante ou de la coupe de matériaux très abrasifs) doivent être remplacés immédiatement pour éviter la surchauffe et les défaillances du moteur.

Nettoyage

▲ MISE EN GARDE Pour éviter les accidents, débranchez toujours l'outil et/ou le chargeur de la source de courant avant de nettoyer. La façon la plus efficace de nettoyer l'outil est à l'aide d'air sec comprimé. Portez toujours des lunettes de sécurité en nettoyant les outils à l'air comprimé.

Gardez les prises d'air et les interrupteurs propres et libres de débris. N'essayez pas de les nettoyer en introduisant des objets pointus dans leurs ouvertures.

▲ AVERTISSEMENT Certains agents de nettoyages et certains dissolvants abîment les pièces en plastique. Parmi ceux-ci se trouvent: l'essence, le tétrachlorure de carbone, les dissolvants de nettoyage chlorés, l'ammoniaque ainsi que les détergents domestiques qui en contiennent.

Accessoires

▲ AVERTISSEMENT Si un cordon de rallonge s'avère nécessaire, vous devez utiliser un cordon avec conducteurs de dimension adéquate pouvant porter le courant nécessaire à votre outil. Ceci préviendra une chute excessive de tension, une perte de courant ou une surchauffe. Les outils mis à la terre doivent utiliser des cordons de rallonge trifilaires pourvus de fiches à trois broches ainsi que des prises à trois broches.

REMARQUE : Plus le calibre est petit, plus le fil est gros.

DIMENSIONS DE RALLONGES RECOMMANDÉES OUTILS 120 VOLTS COURANT ALTERNATIF

Intensité nominale de l'outil	Calibre A.W.G.				Calibre en mm ²			
	Longueur en pieds				Longueur en mètres			
	25	50	100	150	15	30	60	120
3-6	18	16	16	14	0,75	0,75	1,5	2,5
6-8	18	16	14	12	0,75	1,0	2,5	4,0
8-10	18	16	14	12	0,75	1,0	2,5	4,0
10-12	16	16	14	12	1,0	2,5	4,0	—
12-16	14	12	—	—	—	—	—	—

(* = équipement de série)
(** = accessoires optionnels)

- ** Chargeur 15 minutes
- ** Chargeur 30 minutes (une baie)
- ** Chargeur 30 minutes (deux baies)
- ** Chargeur 1 heure
- * Guide de refente

- * Lame carbure de 137 mm à 18 dents à voie étroite
- ** Lame carbure de 137 mm po à 24 dents à voie étroite
- ** Flexible de 15 pieds « Airsweep », se raccorde sur la plupart des aspirateurs

Normas generales de seguridad



ADVERTENCIA Lea todas las instrucciones. Si no se siguen todas las instrucciones que aparecen a continuación, el resultado podría ser sacudidas eléctricas, incendio y/o lesiones graves.

La expresión "herramienta mecánica" en todas las advertencias que aparecen a continuación se refiere a su herramienta mecánica alimentada por la red eléctrica (herramienta alámbrica) o su herramienta mecánica alimentada por baterías (herramienta inalámbrica).

GUARDE ESTAS INSTRUCCIONES

Seguridad del área de trabajo

Mantenga el área de trabajo limpia y bien iluminada. Las áreas desordenadas u oscuras invitan a que se produzcan accidentes.

No utilice herramientas mecánicas en atmósferas explosivas, como por ejemplo en presencia de líquidos, gases o polvos inflamables. Las herramientas mecánicas generan chispas que pueden incendiar el polvo o los vapores.

Mantenga alejados a los niños y a las personas que estén presentes mientras esté utilizando una herramienta mecánica. Las distracciones pueden hacerle perder el control de la herramienta.

Seguridad eléctrica

Los enchufes de las herramientas mecánicas deben coincidir con el tomacorriente. No modifique nunca el enchufe de ningún modo. No use enchufes adaptadores con herramientas mecánicas conectadas a tierra (puestas a tierra). Los enchufes no modificados y los tomacorrientes coincidentes reducirán el riesgo de sacudidas eléctricas.

Evite el contacto del cuerpo con las superficies conectadas o puestas a tierra, tales como tuberías, radiadores, estufas y refrigeradores. Hay un aumento del riesgo de sacudidas eléctricas si el cuerpo del operador se conecta o pone a tierra.

No exponga las herramientas mecánicas a la lluvia o a condiciones mojadas. La entrada de agua en una herramienta mecánica aumentará el riesgo de que se produzcan sacudidas eléctricas.

No maltrate el cordón de energía. No use nunca el cordón para transportar la herramienta mecánica, tirar de ella o desenchufarla. Mantenga el cordón alejado del calor, el aceite, los bordes afilados o las piezas móviles. Los cordones dañados o enganchados aumentan el riesgo de que se produzcan sacudidas eléctricas.

Cuando utilice una herramienta mecánica en el exterior, use un cordón de extensión adecuado para uso a la intemperie. La utilización de un cordón adecuado para uso a la intemperie reduce el riesgo de que se produzcan sacudidas eléctricas.

No use herramientas mecánicas con capacidad nominal solamente para CA con una fuente de energía de CC. Aunque pueda parecer que la

herramienta funciona correctamente, es probable que los componentes eléctricos de la herramienta con capacidad nominal para CA fallen y creen un peligro para el operador.

Si es inevitable usar la herramienta mecánica en lugares húmedos, se debe utilizar un interruptor de circuito accionado por corriente de pérdida a tierra (GFCI) para suministrar energía a la herramienta. Un GFCI y los dispositivos de protección personal, como guantes de goma y calzado de goma de electricista, mejorarán más su seguridad personal.

Seguridad personal

Manténgase alerta, fíjese en lo que está haciendo y use el sentido común cuando esté utilizando una herramienta mecánica. No use una herramienta mecánica cuando esté cansado o bajo la influencia de drogas, alcohol o medicamentos. Un momento de distracción mientras esté utilizando herramientas mecánicas podría causar lesiones corporales graves.

Use equipo de seguridad. Use siempre protección de los ojos. El equipo de seguridad, como por ejemplo una máscara antipolvo, calzado de seguridad antideslizante, casco o protección de oídos, utilizado para las condiciones apropiadas, reducirá las lesiones corporales.

Evite el arranque accidental. Asegúrese de que el interruptor esté en la posición de apagado antes de enchufar la herramienta. Si se transportan herramientas mecánicas con el dedo en el interruptor o se enchufan herramientas mecánicas que tienen el interruptor en la posición de encendido, se invita a que se produzcan accidentes.

Quite todas las llaves de ajuste o de tuerca antes de encender la herramienta mecánica. Una llave de tuerca o de ajuste que se deje colocada en una pieza giratoria de la herramienta mecánica podría causar lesiones corporales.

No intente alcanzar demasiado lejos. Mantenga un apoyo de los pies y un equilibrio apropiados en todo momento. Esto permite controlar mejor la herramienta mecánica en situaciones inesperadas.

Vístase adecuadamente. No use ropa holgada ni alhajas holgadas. Mantenga el pelo, la ropa y los guantes alejados de las piezas móviles. La ropa holgada, las alhajas holgadas o el pelo largo pueden quedar atrapados en las piezas móviles.

Si se proporcionan dispositivos para la conexión de instalaciones de extracción y recolección de polvo, asegúrese de que dichas instalaciones estén conectadas y se usen correctamente. El uso de estos dispositivos puede reducir los peligros relacionados con el polvo.

Mantenga los mangos secos, limpios y libres de aceite y grasa. Las manos resbalosas no pueden controlar de modo seguro la herramienta mecánica.

Uso y cuidado de las herramientas mecánicas

No fuerce la herramienta mecánica. Use la herramienta mecánica correcta para la aplicación que desee realizar. La herramienta mecánica correcta hará el trabajo mejor y con más seguridad a la capacidad nominal para la que fue diseñada.

No use la herramienta mecánica si el interruptor no la enciende y apaga. Toda herramienta mecánica que no se pueda controlar con el interruptor es peligrosa y debe ser reparada.

Desconecte el enchufe de la fuente de energía y/o el paquete de batería de la herramienta mecánica antes de hacer cualquier ajuste, cambiar accesorios o almacenar herramientas mecánicas. Dichas medidas preventivas de seguridad reducen el riesgo de arrancar accidentalmente la herramienta mecánica.

Guarde las herramientas que no esté usando fuera del alcance de los niños y no deje que personas que no estén familiarizadas con la herramienta mecánica o con estas instrucciones utilicen la herramienta. Las herramientas mecánicas son peligrosas en manos de usuarios que no hayan recibido capacitación.

Mantenga las herramientas mecánicas. Compruebe si hay piezas móviles desalineadas o que se atoran, si hay piezas rotas y si existe cualquier otra situación que podría afectar el funcionamiento de la herramienta mecánica. Si la herramienta mecánica está dañada, haga que la reparen antes de usarla. Muchos accidentes son causados por herramientas mecánicas mantenidas deficientemente.

Mantenga las herramientas de corte afiladas y limpias. Es menos probable que las herramientas de corte mantenidas apropiadamente, con bordes de corte afilados, se atoren, y dichas herramientas son más fáciles de controlar.

Use la herramienta mecánica, los accesorios, las brocas de la herramienta, etc., de acuerdo con estas instrucciones y de la manera prevista para el tipo específico de herramienta mecánica, teniendo en cuenta las condiciones de trabajo y el trabajo que se vaya a realizar. El uso de la herramienta mecánica para operaciones distintas a aquéllas para las que fue diseñada podría causar una situación peligrosa.

Use abrazaderas u otro modo práctico de sujetar y soportar la pieza de trabajo en una plataforma estable. Si se sujeta la pieza de trabajo con la mano o contra el cuerpo, se crea una situación inestable que podría causar pérdida de control.

Uso y cuidado de las herramientas alimentadas por baterías

Recargue las baterías solamente con el cargador especificado por el fabricante. Un cargador que es adecuado para un tipo de paquete de batería puede crear un riesgo de incendio cuando se utiliza con otro paquete de batería.

Use las herramientas alimentadas por baterías solamente con paquetes de batería designados específicamente. El uso de cualquier otro paquete de batería puede crear un riesgo de lesiones e incendio.

Cuando el paquete de batería no se esté usando, manténgalo alejado de otros objetos metálicos, tales como sujetapapeles, monedas, llaves, clavos, tornillos u otros objetos metálicos pequeños que pueden hacer una conexión de un terminal a otro. Si se cortocircuitan los terminales de la batería uno con otro, se pueden causar quemaduras o un incendio.

En condiciones abusivas, es posible que se eyecte líquido de la batería. Evite el contacto. Si se produce un contacto accidental, enjuáguese con agua. Si el líquido entra en contacto con los ojos, obtenga además ayuda médica. El líquido que salga eyectado de la batería puede causar irritación o quemaduras.

Asegúrese de que el interruptor esté en la posición de apagado antes de introducir el paquete de batería. Si se introduce el paquete de batería en herramientas mecánicas que tengan el interruptor en la posición de encendido, se invita a que se produzcan accidentes.

Servicio de ajustes y reparaciones

Haga que su herramienta mecánica reciba servicio de un técnico de reparaciones calificado, utilizando únicamente piezas de repuesto idénticas. Esto asegurará que se mantenga la seguridad de la herramienta mecánica.

Desarrolle un programa de mantenimiento periódico de la herramienta. Cuando limpie una herramienta, tenga cuidado de no desmontar ninguna de sus partes, ya que los cables internos podrían reubicarse incorrectamente o pellizcarse, o los resortes de retorno de los protectores de seguridad podrían montarse incorrectamente. Ciertos agentes de limpieza, tales como gasolina, tetracloruro de carbono, amoníaco, etc., podrían dañar las piezas de plástico.

GUARDE ESTAS INSTRUCCIONES

Normas de seguridad para sierras circulares

▲ ADVERTENCIA Lea todas las advertencias de seguridad y todas las instrucciones.

Procedimientos de corte

▲ PELIGRO Mantenga las manos alejadas del área de corte y de la hoja.

Mantenga la segunda mano en el mango auxiliar o en la caja del motor. Si las manos están sujetando la sierra, la hoja no puede cortarlas.

Este producto está diseñado para cortar solamente madera y productos parecidos a la madera. La acumulación de polvo alrededor del protector inferior y del cubo, procedente de otros materiales (plástico, mampostería o metal), puede inutilizar el funcionamiento del protector inferior.

No ponga la mano debajo de la pieza de trabajo. El protector no puede protegerle de la hoja debajo de la pieza de trabajo.

NUNCA tenga en las manos ni apoye en la pierna la pieza que se está cortando. Sujete firmemente la pieza de trabajo a una plataforma estable. Es importante apoyar la pieza de trabajo adecuadamente para minimizar la exposición del cuerpo, el atasco de la hoja y la pérdida de control.

Sujete la herramienta mecánica por las superficies de agarre aisladas al realizar una operación en la que la herramienta de corte pueda entrar en contacto con cables ocultos o con su propio cordón. El contacto con un cable con corriente también hará que las partes metálicas al descubierto de la herramienta lleven corriente y causará descargas eléctricas al operador.

Al cortar al hilo, utilice siempre un tope-guía para cortar al hilo o una guía de borde recto. Esto aumenta la precisión del corte y reduce las posibilidades de que la hoja se atasque.

Utilice siempre hojas con agujeros de eje portaherramienta de tamaño y forma correctos (diamante frente a redondo). Las hojas que no coincidan con las piezas de montaje de la sierra girarán excéntricamente, causando pérdida de control.

Nunca utilice arandelas o pernos de hoja dañados o incorrectos. Las arandelas y el perno de la hoja se diseñaron especialmente para la sierra con objeto de lograr un rendimiento óptimo y un funcionamiento con seguridad.

Inspeccione el estado y la calidad de la madera y quítele todos los clavos antes de realizar el corte. La madera mojada, la madera verde y la madera tratada a presión requieren atención especial durante la operación de corte para prevenir el retroceso.

Sujete la sierra firmemente para evitar la pérdida de control. Las figuras que aparecen en este manual ilustran la manera típica de sujetar la sierra con las manos.

Según el uso, es posible que el interruptor no dure toda la vida de la sierra. Si el interruptor falla en la

posición "OFF" (apagado), puede que la sierra no arranque. Si falla mientras la sierra está en marcha, puede que ésta no se pueda apagar. Si se produce cualquiera de estas dos situaciones, desenchufe la sierra inmediatamente y no la utilice hasta que haya sido reparada.

Esta sierra circular no se debe montar en una mesa para convertirla en una sierra de mesa. Las sierras circulares no están diseñadas ni concebidas para usarse como sierras de mesa.

El retroceso y advertencias relacionadas

Causas del retroceso y su prevención por el operador:

El retroceso es una reacción repentina al pellizcamiento, atasco o desalineación de la hoja de sierra que hace que una sierra descontrolada se eleve y salga de la pieza de trabajo en dirección al operador.

Cuando la hoja se pellizca o se atasca fuertemente al estrecharse la separación de corte, la hoja se detiene y la reacción del motor impulsa la unidad rápidamente hacia atrás en dirección al operador.

Si la hoja se tuerce o se desalinea en el corte, los dientes del filo trasero de la hoja pueden penetrar en la superficie superior de la madera, haciendo que la hoja se salga de la separación de corte y salte hacia atrás en dirección al operador.

El retroceso es el resultado del uso incorrecto de la herramienta y/o de procedimientos o condiciones de funcionamiento incorrectos y se puede evitar tomando las precauciones adecuadas que se indican a continuación:

Mantenga un agarre firme de la sierra con las dos manos y sitúe el cuerpo y el brazo de modo que pueda resistir las fuerzas de retroceso. Sitúe el cuerpo en cualquiera de los dos lados de la hoja, pero no en línea con la hoja. El retroceso podría hacer que la sierra salte hacia atrás, pero las fuerzas de retroceso pueden ser controladas por el operador, si se toman las precauciones adecuadas.

Cuando la hoja se atasque o cuando se interrumpa un corte por cualquier razón, suelte el gatillo y sujete la sierra en posición inmóvil en el material hasta que la hoja se detenga por completo. Nunca intente retirar la sierra de la pieza de trabajo ni tirar de la sierra hacia atrás mientras la hoja está en movimiento o de lo contrario se podrá producir retroceso. Investigue y tome medidas correctoras para eliminar la causa del atasco de la hoja.

Al volver a arrancar una sierra en una pieza de trabajo, centre la hoja de sierra en la separación de corte y compruebe que los dientes de la sierra no estén encajados en el material. Si la hoja de sierra se atasca, es posible que se desplace hacia arriba o que se produzca

retroceso respecto a la pieza de trabajo al volver a arrancar la sierra.

Soporte los paneles grandes para minimizar el riesgo de que se produzcan pellizcamiento de la hoja y retroceso. Los paneles grandes tienden a combarse bajo su propio peso. Se deben colocar soportes bajo el panel a ambos lados, cerca de la línea de corte y cerca del borde del panel.

No utilice una broca desafilada o dañada. Las hojas desafiladas o ajustadas incorrectamente producen una separación de corte estrecha, causando fricción excesiva, atasco de la hoja y retroceso.

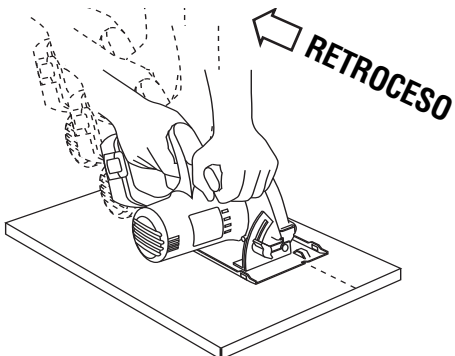
Las palancas de fijación de profundidad de la hoja y de ajuste de inclinación de la hoja deben estar apretadas y fijas antes de hacer el corte. Si el ajuste de la hoja cambia mientras se está haciendo un corte, puede causar atasco y retroceso.

Tenga precaución especial al hacer un "corte por penetración" en paredes existentes o en otras áreas ciegas. La hoja que sobresale puede cortar objetos que pueden causar retroceso.

Las arandelas y el perno de la hoja de la sierra se han diseñado para funcionar como un embrague para reducir la intensidad de un retroceso. Entienda el funcionamiento y las posiciones del **EMBRAGUE DE PAR MOTOR VARIABLE**. El ajuste apropiado del embrague, combinado con un manejo firme de la sierra, le permitirá controlar el retroceso.

NUNCA ponga la mano detrás de la hoja de sierra. El retroceso podría hacer que la sierra salte hacia atrás sobre la mano.

No utilice la sierra con un ajuste de la profundidad de corte que sea excesivo. Si una parte demasiado grande de la hoja queda al descubierto, se aumentan las posibilidades de que la hoja se tuerza en la sección de corte y se aumenta el área de superficie de la hoja disponible para causar un pellizco que produzca retroceso.



Función del protector inferior

Compruebe si el protector inferior cierra correctamente antes de cada uso. No haga funcionar la sierra si el protector inferior no se mueve libremente y no se cierra instantáneamente. Nunca fije con abrazaderas ni ate el protector inferior en la posición abierta. Si la sierra

se cae accidentalmente, es posible que el protector inferior se doble. Suba el protector inferior únicamente con la palanca de elevación del protector inferior y asegúrese de que se mueva libremente y de que no toque la hoja ni ninguna otra pieza en todos los ángulos y profundidades de corte.

Compruebe el funcionamiento del resorte del protector inferior. Si el protector y el resorte no funcionan correctamente, se deben ajustar o reparar antes de usar la sierra. El protector inferior puede funcionar con dificultad debido a que haya piezas dañadas o a la presencia de depósitos gomosos o una acumulación de residuos.

El protector inferior se debe retraer manualmente sólo para hacer cortes especiales, tales como "cortes por penetración" y "cortes compuestos". Suba el protector inferior usando la palanca de elevación del protector inferior. En cuanto la hoja entre en el material, se debe soltar el protector inferior. Para todas las demás operaciones de aserrado, el protector inferior debe funcionar automáticamente.

Asegúrese siempre de que el protector inferior esté cubriendo la hoja antes de dejar la sierra en un banco o en el piso. Si la hoja no tiene protección y gira por inercia hasta detenerse, hará que la sierra se mueva hacia atrás, cortando todo lo que encuentre a su paso. Sepa el tiempo que debe transcurrir para que la hoja se detenga después de soltar el interruptor.

No tenga la herramienta en marcha mientras la lleva a su lado. El protector inferior se puede abrir al entrar en contacto con su ropa. El contacto accidental con la hoja de sierra que gira podría ocasionar lesiones personales graves.

Periódicamente quite la hoja, limpie con queroseno los protectores superior e inferior y el área central y séquelos con un trapo o límpielos con chorro de aire comprimido. El mantenimiento preventivo y un protector que funcione correctamente reducirán la probabilidad de que se produzca un accidente.

⚠ ADVERTENCIA Cierta polvo generado por el lijado, aserrado, amolado y taladrado mecánicos, y por otras actividades de construcción, contiene agentes químicos que se sabe que causan cáncer, defectos de nacimiento u otros daños sobre la reproducción. Algunos ejemplos de estos agentes químicos son:

- Plomo de pinturas a base de plomo,
- Sílice cristalina de ladrillos y cemento y otros productos de mampostería, y
- Arsénico y cromo de madera tratada químicamente.

Su riesgo por causa de estas exposiciones varía, dependiendo de con cuánta frecuencia realice este tipo de trabajo. Para reducir su exposición a estos agentes químicos: trabaje en un área bien ventilada y trabaje con equipo de seguridad aprobado, como por ejemplo máscaras antipolvo que estén diseñadas especialmente para impedir mediante filtración el paso de partículas microscópicas.

Batería/cargador

Antes de utilizar el cargador de baterías, lea todas las instrucciones e indicaciones de precaución que se encuentran en (1) el cargador de baterías, (2) el paquete de baterías y (3) el producto que utiliza baterías.

Utilice solamente el cargador que acompañaba al el producto o un reemplazo directo según se indica en el catálogo o en este manual. No sustituirlo por ningún otro cargador. Utilice únicamente cargadores aprobados Bosch con su producto. Consulte Descripción funcional y especificaciones.

No desarme el cargador ni lo haga funcionar si ha recibido un golpe brusco, se ha caído o se ha dañado de cualquier modo. Cambie el cordón o los enchufes dañados inmediatamente. El reensamblaje incorrecto o los daños pueden ocasionar sacudidas eléctricas o incendio.

No recargue la batería en un entorno húmedo o mojado. No exponga el cargador a lluvia ni nieve. Si la caja de baterías está agrietada o dañada de algún otro modo, no la introduzca en el cargador. Se puede producir un cortocircuito de las baterías o un incendio.

Cargue únicamente baterías recargables aprobadas Bosch. Consulte Descripción funcional y especificaciones. Otros tipos de baterías pueden reventar causando lesiones personales y daños.

Cargue el paquete de baterías a temperaturas superiores a +40 grados F (4 grados C) e inferiores a +105 grados F (41 grados C). Guarde la

herramienta y el paquete de baterías en lugares donde las temperaturas no bajen de 40 grados F (4 grados C) ni suban de 120 grados F (49 grados C). Deje que el paquete de baterías vuelva a estar a temperatura ambiente antes de intentar cargar. Esto es importante para evitar daños graves a los elementos de la batería.

Se puede producir un escape del líquido de las baterías bajo condiciones extremas de uso o de temperatura. Evite el contacto con la piel y los ojos. El líquido de la batería es cáustico y podría causar quemaduras químicas en los tejidos. Si el líquido entra en contacto con la piel, lávela rápidamente con agua y jabón y luego con jugo de limón o vinagre. Si el líquido entra en contacto con los ojos, enjuáguelos con agua durante un mínimo de 10 minutos y obtenga atención médica.

Ponga el cargador sobre superficies planas ininflamables y alejado de materiales inflamables cuando recargue el paquete de baterías. El cargador y el paquete de baterías se calientan durante el proceso de carga. Las alfombras y otras superficies termoaislantes bloquean la circulación adecuada de aire, lo cual puede causar sobrecalentamiento del cargador y del paquete de baterías. Si observa humo o que la carcasa se está derritiendo, desenchufe inmediatamente el cargador y no utilice el paquete de baterías ni el cargador.

El uso de un accesorio no recomendado ni vendido por Bosch puede constituir un peligro de incendio, sacudidas eléctricas o lesiones a las personas.

Cuidado de las baterías

⚠ ADVERTENCIA Cuando las baterías no están en la herramienta o en el cargador, manténgalas alejadas de objetos metálicos. Por ejemplo, para evitar que las terminales hagan cortocircuito, **NO** ponga las baterías en una caja de herramientas o en un bolsillo con clavos, tornillos, llaves, etc. Se pueden producir un incendio o lesiones.

⚠ ADVERTENCIA Para evitar incendios o lesiones cuando las baterías no estén en la herramienta o en el cargador, ponga siempre la tapa protectora en el extremo del paquete de baterías. La tapa protectora protege contra el cortocircuitado de los terminales.

NO ARROJE LAS BATERIAS AL FUEGO NI LAS EXPONGA AL CALOR INTENSO. Pueden explotar.

Eliminación de las baterías

⚠ ADVERTENCIA No intente desarmar la batería ni quitar ninguno de los componentes que sobresalen de las terminales de la batería. Se pueden producir lesiones o un incendio. Antes de tirarla, proteja las terminales que están al descubierto con cinta adhesiva aislante gruesa para prevenir cortocircuitos.

BATERÍAS DE NIQUEL-CADMIO

Si este producto está equipado con una batería de níquel-cadmio, dicha batería debe recogerse, reciclarse o eliminarse de manera segura para el medio ambiente.



“El sello de reciclaje de baterías RBRC certificado por la EPA que se encuentra en la batería de níquel-cadmio (Ni-Cd) indica que Robert Bosch Tool Corporation está participando voluntariamente en un programa de la industria para recoger y reciclar estas baterías al final de su vida útil, cuando se retiran de

servicio en los Estados Unidos y Canadá. El programa RBRC proporciona una alternativa conveniente a tirar las baterías de Ni-Cd usadas a la basura o a la corriente municipal de aguas residuales, lo cual quizás sea ilegal en su área.

Tenga la amabilidad de llamar al 1-800-8-BATTERY para obtener información acerca de las prohibiciones/restricciones sobre el reciclaje y la eliminación de baterías de Ni-Cd en su lugar o devuelva las baterías a un Centro de servicio Skil/Bosch/Dremel para reciclarlas. La participación de Robert Bosch Tool Corporation en este programa es parte de nuestro compromiso hacia preservar nuestro medio ambiente y conservar nuestros recursos naturales.”

BATERÍAS DE NIQUEL-HIDRURO METALICO

Si este producto está equipado con una batería de níquel-hidruro metálico, dicha batería debe eliminarse en un curso de agua municipal para residuos sólidos.

Símbolos

IMPORTANTE: Es posible que algunos de los símbolos siguientes se usen en su herramienta. Por favor, estúdielos y aprenda su significado. La interpretación adecuada de estos símbolos le permitirá utilizar la herramienta mejor y con más seguridad.

Símbolo	Nombre	Designación/explicación
V	Volt	Tensión (potencial)
A	Ampere	Corriente
Hz	Hertz	Frecuencia (ciclos por segundo)
W	Watt	Potencia
kg	Kilogramo	Peso
min	Minuto	Tiempo
s	Segundo	Tiempo
∅	Diámetro	Tamaño de las brocas taladradoras, muelas, etc
n_0	Velocidad sin carga	Velocidad rotacional sin carga
.../min	Revoluciones o alternación por minuto	Revoluciones, golpes, velocidad de superficie, órbitas, etc., por minuto
0	Posición "off" (apagado)	Velocidad cero, par motor cero...
1, 2, 3, ... I, II, III,	Graduaciones del selector	Graduaciones de velocidad, par motor o posición. Un número más alto significa mayor velocidad
	Selector infinitamente variable con apagado	La velocidad aumenta desde la graduación de 0
	Flecha	Acción en la dirección de la flecha
	Corriente alterna	Tipo o una característica de corriente
	Corriente continua	Tipo o una característica de corriente
	Corriente alterna o continua	Tipo o una característica de corriente
	Construcción de clase II	Designa las herramientas de construcción con aislamiento doble.
	Terminal de toma de tierra	Terminal de conexión a tierra
	Símbolo de advertencia	Alerta al usuario sobre mensajes de advertencia
	Sello RBRC de Ni-Cd	Designa el programa de reciclaje de baterías de Ni-Cd



Este símbolo indica que esta herramienta está catalogada por Underwriters Laboratories.



Este símbolo indica que Underwriters Laboratories ha catalogado esta herramienta indicando que cumple las normas canadienses.



Este símbolo indica que esta herramienta cumple con la norma mexicana oficial (NOM).



Este símbolo indica que esta herramienta está catalogada por la Canadian Standards Association.



Este símbolo indica que esta herramienta está catalogada por Underwriters Laboratories y que Underwriters Laboratories la ha catalogado según las normas canadienses.

Descripción funcional y especificaciones

ADVERTENCIA Desconecte el paquete de baterías de la herramienta o ponga el interruptor en la posición fijada o de apagado antes de hacer cualquier ensamblaje, ajustes o cambiar accesorios. Dichas medidas preventivas de seguridad reducen el riesgo de arrancar la herramienta accidentalmente.

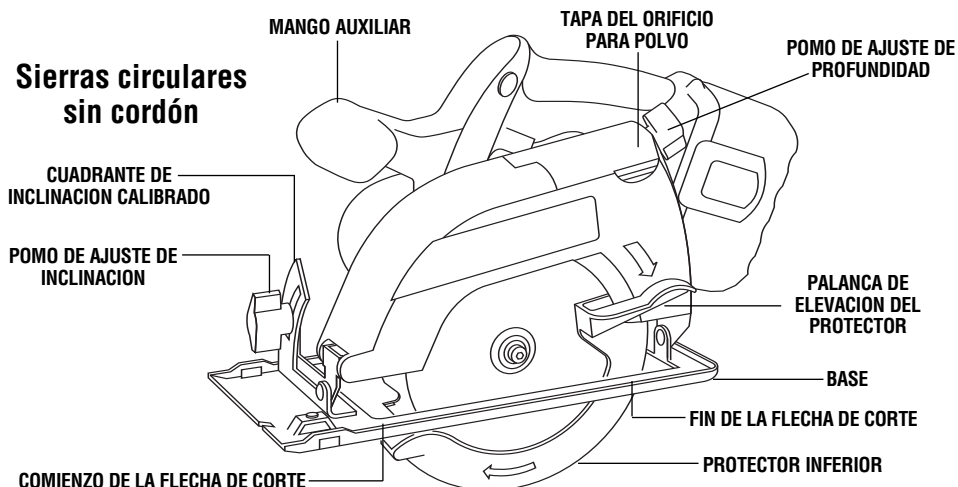
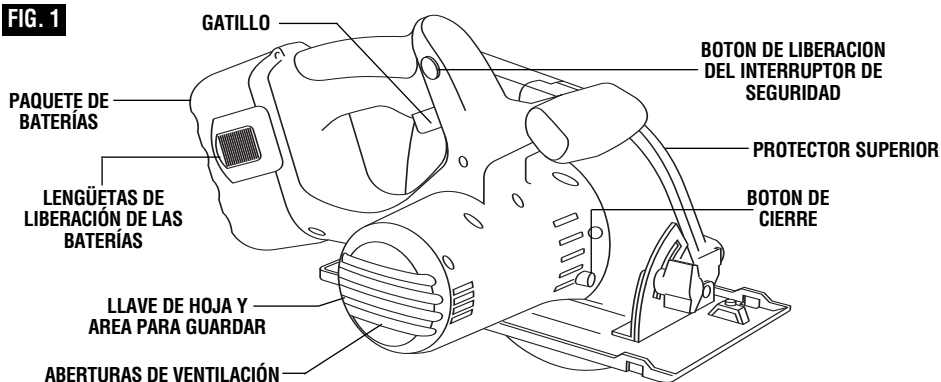


FIG. 1



Número de modelo	1659	1661	Capacidades máximas	
Tensión nominal	18 V \equiv	14,4 V \equiv	Hojal	137 mm
Capacidad sin carga	n_0 3 600/min	n_0 3 600/min	Profundidad de corte a 90°	41 mm
Cargador	BC003, 4, 6 y BC016	BC001-6 y BC016	Profundidad de corte a 45°	32 mm
	BC130 y BC230	BC130 y BC230	ATENCIÓN: Utilice únicamente hojas para separación de corte estrecha diseñadas para sierras circulares sin cordón.	
Tensión nominal	120 V \sim 60 Hz	120 V \sim 60 Hz		
Paquete de baterías	BAT025 y BAT026	BAT040		
	BAT160 a BAT189	BAT140 a BAT159		

El cargador BC006 requiere alimentación de 12 V CC

NOTA: UTILICE ÚNICAMENTE LOS CARGADORES INDICADOS ANTERIORMENTE

Para hojas de repuesto, recomendamos las hojas para sierras circulares sin cordón Bosch. Su separación de corte estrecha y diseño de dientes brindan la mejor velocidad y calidad de corte, y reducen el desgaste de las baterías. El uso de hojas estándar afectará sustancialmente el rendimiento y reducirá el tiempo de funcionamiento.

Ensamblaje

COLOCACION DE LA HOJA

ADVERTENCIA Desconecte el paquete de baterías de la herramienta o ponga el interruptor en la posición fijada o de apagado antes de hacer cualquier ensamblaje, ajustes o cambiar accesorios. Dichas medidas preventivas de seguridad reducen el riesgo de arrancar la herramienta accidentalmente.

1. Gire el PERNO DE LA HOJA en sentido de las agujas del reloj con la llave de tuerca suministrada y quite el PERNO DE LA HOJA y la ARANDELA EXTERIOR (Fig. 2). Si el eje se mueve al intentar aflojar el perno de la hoja, oprima el botón de fijación.
2. Retraiga el protector inferior por completo hasta el interior del protector superior. Mientras que retrae el protector inferior, revise el funcionamiento y el estado del MUELLE DEL PROTECTOR INFERIOR.
3. Asegúrese de que los dientes de la sierra y la flecha de la hoja están dirigidos en la misma dirección que la flecha del protector inferior.
4. Deslice la hoja a través de la ranura de la base y móntela junto a la ARANDELA INTERIOR en el eje. Asegúrese de que no queda espacio entre el diámetro grande de las arandelas INTERIOR y EXTERIOR y la hoja.
5. Vuelva a instalar la ARANDELA EXTERIOR y apriete el PERNO DE LA HOJA con los dedos. La cara de la arandela exterior de la hoja tiene marcas a su alrededor que le ayudarán a usted a ajustar adecuadamente el espárrago de la hoja. Oprima el botón de fijación para fijar el eje y APRIETE EL PERNO DE LA HOJA EN SENTIDO CONTRARIO AL DE LAS AGUJAS DEL RELOJ UNA MARCA EN LA ARANDELA DE LA HOJA CON LA

LLAVE DE TUERCA SUMINISTRADA.

No utilice llaves con mangos más largos, ya que pueden hacer que el tornillo de la hoja quede excesivamente apretado.

EMBRAGUE DE PAR MOTOR VARIABLE

Esta acción de embrague es proporcionada por la fricción de la ARANDELA EXTERIOR contra la HOJA y permite que el eje de la hoja gire cuando la hoja encuentra una resistencia excesiva. Cuando el TORNILLO DE LA HOJA está apretado adecuadamente (tal como se describe en el No. 5 de Colocación de la hoja), la hoja patinará al encontrar una resistencia excesiva, por lo que reducirá la tendencia de la sierra al RETROCESO.

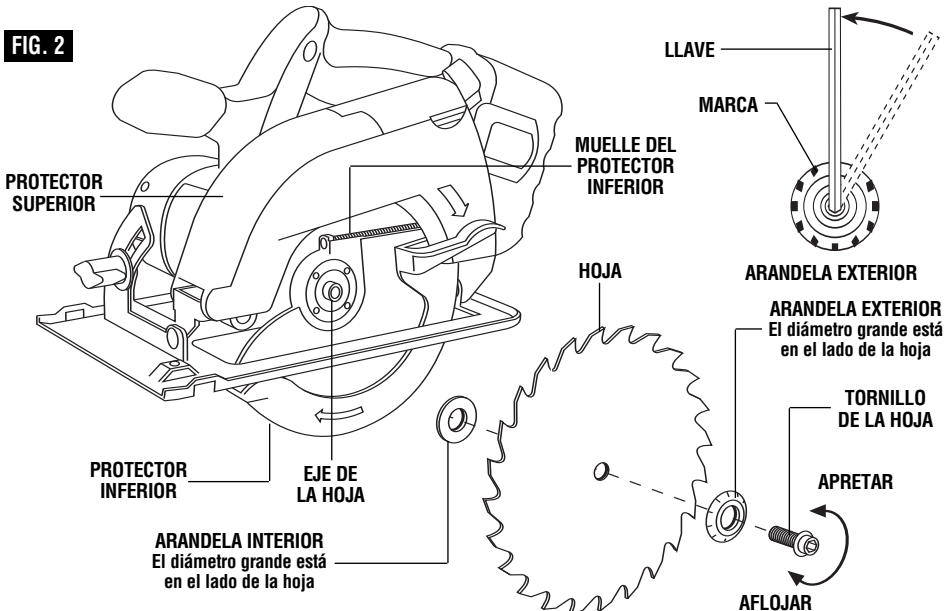
Una posición de ajuste puede no ser suficiente para cortar todos los materiales. Si la hoja patina demasiado, apriete el tornillo de la hoja 1/2 marca más. EL APRETAR EXCESIVAMENTE EL TORNILLO DE LA HOJA ANULA LA EFICACIA DEL EMBRAGUE.

EXTRACCION DE POLVO

La herramienta está equipada con un adaptador del orificio para polvo para la extracción de polvo y virutas. Para utilizar este dispositivo, abra la tapa del orificio para polvo, conecte una manguera de aspiración (accesorio opcional) al orificio para polvo y conecte el extremo opuesto de la manguera a una aspiradora de taller.

ADVERTENCIA Para evitar lesiones personales, posicione siempre la manguera de aspiración de manera que no interfiera con el protector inferior ni con la operación de corte en todas las posiciones.

FIG. 2



Instrucciones de funcionamiento

AJUSTE DE PROFUNDIDAD

Desconecte el paquete de baterías de la herramienta. Afloje el pomo de ajuste de profundidad ubicado en el lado trasero del protector superior. Sujete la base con una mano y suba o baje la sierra con el mango. Fije el pomo en la posición de ajuste de profundidad deseada. Verifique la profundidad deseada (Fig. 3).

Para un astillado mínimo la longitud que debe sobresalir por debajo del material que se va a cortar no debe ser de más de un diente de hoja (Fig. 4).

FIG. 3

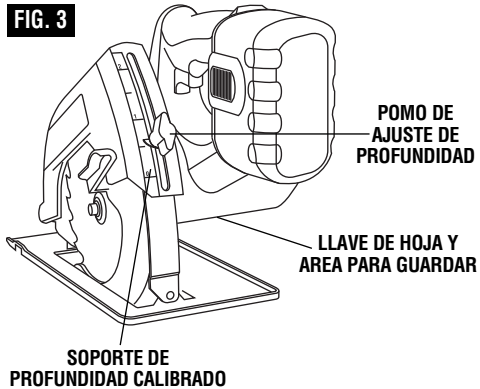


FIG. 4



INTERRUPTOR DE SEGURIDAD

El interruptor de seguridad está diseñado para prevenir arranques accidentales. Para accionar el interruptor de seguridad, oprima el botón de liberación con el dedo pulgar en cualquiera de los dos lados del mango para desacoplar el cierre y luego apriete el gatillo (Fig. 5). Al soltar el gatillo, el botón acoplará el interruptor de seguridad automáticamente y el gatillo dejará de funcionar. (Vea Interruptor y Cortes generales en la página 39.)

VERIFICACION DEL ANGULO DE CORTE DE 90°

Desconecte el paquete de baterías de la herramienta. Ajuste la base al valor de máxima profundidad de corte. Afloje el pomo de ajuste de inclinación, ajuste a 0° en el cuadrante, vuelva a apretar la palanca y verifique que hay un ángulo de 90° entre la hoja y el plano inferior de la base con una escuadra (Fig. 6). Si es necesario realizar un ajuste, incline la base hasta 45°, apriete la tuerca de mariposa de ajuste de inclinación y doble la "LENGÜETA" con una llave de tuerca ajustable o con unos alicates (Fig. 7).

FIG. 5

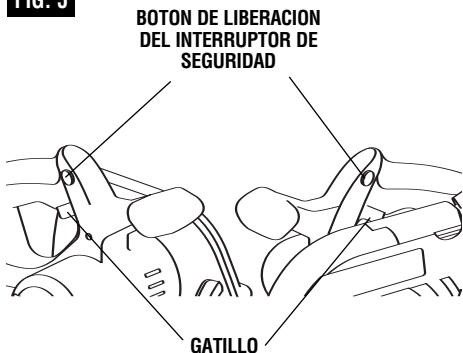


FIG. 6

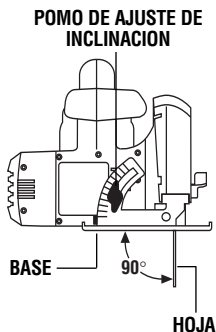
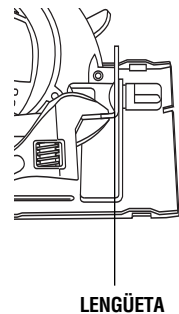
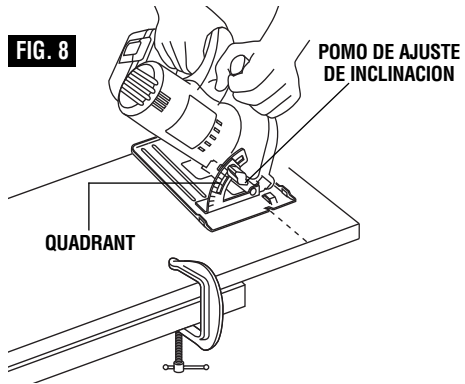


FIG. 7



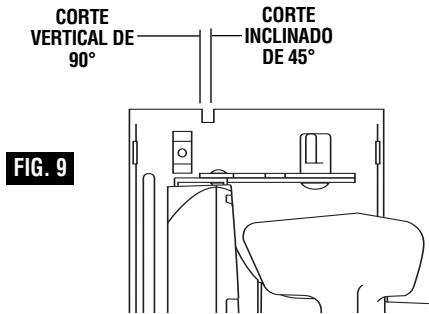
AJUSTE DE INCLINACION

Desconecte el paquete de baterías de la herramienta. La base se puede ajustar hasta 50° aflojando el pomo de ajuste de inclinación en la parte delantera de la sierra. Alinee hasta alcanzar el ángulo deseado en el cuadrante calibrado. Luego, apriete el pomo de ajuste de inclinación (Fig. 8). Debido al aumento en la cantidad de acoplamiento de la hoja en la pieza de trabajo y a la disminución en la estabilidad de la base, se puede producir el atasco de la hoja. Mantenga la sierra estable y la base firme sobre la pieza de trabajo.



GUIA DE LINEA

Para un corte recto de 90°, utilice el lado derecho de la muesca de la base. Para cortes inclinados de 45°, utilice el lado izquierdo (Fig. 9). La muesca de la guía de corte proporcionará una línea de corte aproximada. Realice cortes de prueba en madera de desecho para verificar la línea de corte real. Esto servirá de ayuda debido al número de diferentes tipos y espesores de hoja disponibles. Para asegurar un astillado mínimo en el lado bueno del material que se va a cortar, coloque el lado bueno hacia abajo.



GUIA DE INTERRUPTOR

Para encender la herramienta (posición "ON"), apriete el interruptor gatillo. Para apagar la herramienta (posición "OFF"), suelte el interruptor gatillo, que está accionado por muelle, y volverá a la posición "off" automáticamente.

La sierra debe funcionar a toda velocidad ANTES de comenzar el corte y se debe apagar únicamente DESPUES que se haya terminado el corte. Para aumentar la vida del interruptor, no apague y encienda el interruptor mientras esté cortando.

FRENO

Cuando se suelta el gatillo, éste activa el freno eléctrico para detener la hoja rápidamente. Este dispositivo es especialmente útil cuando se hacen cortes repetitivos.

CORTES GENERALES

Sujete siempre el mango de la sierra con una mano y el mango auxiliar o la caja protectora con la otra.

Asegúrese siempre de que la base suave descansa sobre la parte de la superficie de trabajo que no vaya a caerse.

▲ ADVERTENCIA Assurez-vous que vos mains ne gênent pas le mouvement de la garde inférieure.

Agarre firmemente y accione el interruptor con una acción decidida. Nunca fuerce la sierra. Utilice una presión ligera y continua.

▲ ADVERTENCIA Después de completar un corte y haber soltado el gatillo, tenga en cuenta el tiempo que se necesita para que la hoja se detenga por completo durante la desaceleración con movimiento por inercia. No permita que la sierra le roce la pierna o el lado, ya que como el protector inferior se retráctil podría engancharse en la ropa y poner la hoja al descubierto. Tenga en cuenta los sitios en que la hoja está al descubierto por necesidad tanto en las áreas del protector inferior como del superior.

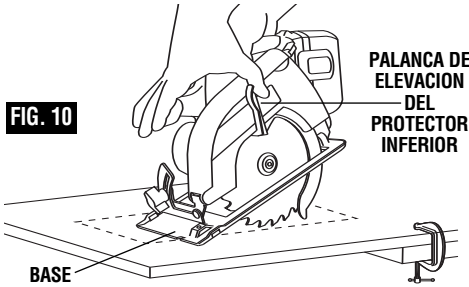
Cuando se interrumpe el corte, para seguir cortando: apriete el gatillo y deje que la hoja se ponga a toda velocidad, vuelva a entrar en el corte lentamente y siga cortando.

Cuando se corta a contrahilo, las fibras de la madera tienden a rasgarse y levantarse. El hacer que la sierra avance lentamente minimiza este efecto. Para un corte acabado se recomienda una hoja de corte transversal o una hoja de cortar a inglete.

CORTES DE BOLSILLOS

Desconecte el paquete de baterías de la herramienta antes de realizar ajustes. Coloque el ajuste de profundidad de acuerdo con el material que va a cortar. Inclíne la sierra hacia adelante con la muesca de la guía de corte alineada con la línea que usted ha trazado. Levante el protector inferior utilizando la palanca de elevación y sujete la sierra con los mangos frontal y posterior (Fig. 10).

Con la hoja muy cerca del material que se va a cortar, pero sin tocarlo, arranque el motor. Baje gradualmente la parte posterior de la sierra utilizando el extremo frontal de la base como punto de bisagra. **ADVERTENCIA: Cuando la hoja comience a cortar el material, suelte el protector inferior inmediatamente.** Cuando la base descansa horizontalmente sobre la superficie que se está cortando, siga cortando en dirección hacia adelante hasta el final del corte. **ADVERTENCIA: Deje que la hoja se detenga por completo antes de sacar la sierra del corte. Además, nunca intente mover la sierra hacia atrás, ya que la hoja se saldrá del material y se producirá RETROCESO.** De la vuelta a la sierra y termine el corte de manera normal, aserrando hacia adelante. Si las esquinas del corte de bolsillo no están completamente cortadas, utilice una sierra de vaivén o una sierra de mano para terminar las esquinas.

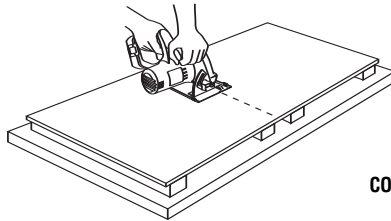
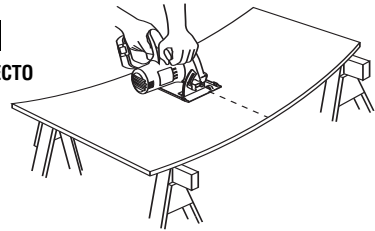


CORTE DE PLANCHAS GRANDES

Las planchas grandes y los tableros largos se comban o se doblan según el apoyo. Si usted intenta cortar sin nivelar y sin apoyar la pieza adecuadamente, la hoja tenderá a atascarse, produciendo RETROCESO y una sobrecarga en el motor (Fig. 11).

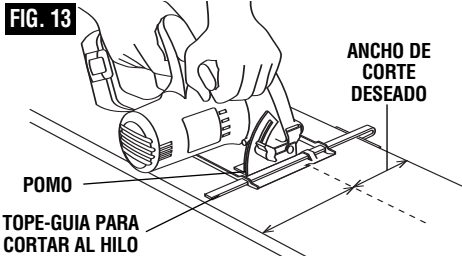
Apoye el panel o el tablero cerca del corte, tal como se muestra en la (Fig. 12). Asegúrese de ajustar la profundidad de corte para cortar la plancha o el tablero solamente y no la mesa o el banco de trabajo. Las tablas de dos por cuatro pulgadas utilizadas para elevar y apoyar la pieza de trabajo deben colocarse de manera que los lados más anchos soporten la pieza de trabajo y descansen en la mesa o en el banco. No apoye la pieza de trabajo en los lados estrechos, ya que esta disposición es inestable. Si la plancha o el tablero a cortar es demasiado grande para una mesa o un banco de trabajo, utilice los tablas de apoyo de dos por cuatro pulgadas sobre el suelo y fije la pieza de trabajo.

FIG. 11
INCORRECTO



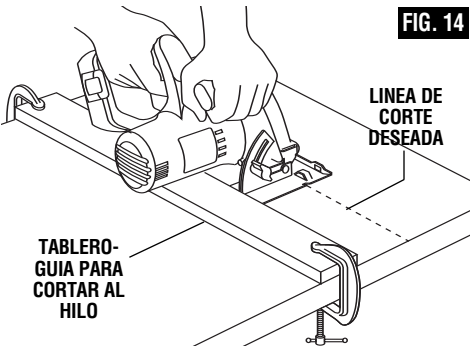
CORTES AL HILO

La hoja combinada suministrada con la sierra sirve tanto para cortes transversales como para cortes al hilo. El corte al hilo consiste en cortar a lo largo siguiendo la veta de la madera. Los cortes al hilo son fáciles de realizar con un tope-guía para cortar al hilo (Fig. 13). El tope-guía para cortar al hilo está disponible como accesorio (no incluido). Para colocar el tope-guía, introdúzcalo a través de las ranuras de la base hasta la anchura deseada tal como se muestra en la ilustración y fíjelo con la pomo.



TABLERO-GUIA PARA CORTAR AL HILO

Cuando se cortan al hilo planchas grandes, puede que el tope-guía para cortar al hilo no permita el ancho de corte deseado. Sujete o clave una pieza recta de madera de 1" (25mm) a la plancha como guía (Fig. 14). Utilice el lado izquierdo de la base apoyándolo en la tablero-guía.



LIBERACION E INSERCIÓN DEL PAQUETE DE BATERÍAS

Saque el paquete de baterías de la herramienta presionando sobre ambos lados de las lengüetas de liberación de las baterías y tire hacia abajo. Antes de introducir el paquete de baterías, quite la tapa

protectora de dicho paquete de baterías. Para introducir la batería, alinee la batería e introduzca el paquete de baterías en la herramienta hasta que quede fijo en su posición. No lo fuerce.

NOTAS IMPORTANTES PARA CARGAR

1. El paquete de baterías acepta únicamente alrededor del 80 por ciento de su capacidad máxima en los primeros ciclos de carga. Sin embargo, después de los primeros ciclos de carga, la batería se cargará hasta su capacidad máxima.
2. El cargador fue diseñado para cargar la batería rápidamente sólo cuando la temperatura de la batería está entre 4°C (40°F) y 41°C (105°F).
3. Un descenso considerable en el tiempo de funcionamiento por carga puede significar que el paquete de baterías se está acercando al final de su vida y que debe ser sustituido.
4. Si espera que haya largos períodos (es decir, un mes o más) en los que no se use la herramienta, lo mejor es hacerla funcionar hasta que esté completamente descargada antes de guardar el paquete de baterías. Después de un largo período de almacenamiento, la capacidad después de la primera recarga será más baja. La capacidad normal se restaurará en dos o tres ciclos de carga/descarga.

Recuerde desenchufar el cargador durante el período de almacenamiento.

5. Si la batería no carga adecuadamente:

- a. Compruebe que hay tensión en el tomacorriente enchufando algún otro dispositivo eléctrico.
- b. Compruebe si el tomacorriente está conectado a un interruptor de luz que corta el suministro de energía cuando se apagan las luces.
- c. Compruebe si hay suciedad en las terminales del paquete de baterías. Limpielas con un pedazo de algodón y alcohol si es necesario.

d. Si usted sigue sin obtener una carga adecuada, lleve o envíe la herramienta, el paquete de baterías y el cargador al Centro de servicio Bosch local. Busque bajo "Herramientas eléctricas" en las páginas amarillas para obtener nombres y direcciones.

Nota: La utilización de cargadores o paquetes de batería no vendidos por Bosch anulará la garantía.

CARGA DEL PAQUETE DE BATERÍAS (CON BAHIA ÚNICA DE 30 MINUTOS BC130)

INDICADORES, SIMBOLOS Y SIGNIFICADO

Si la luz indicadora verde está apagada, el cargador no está recibiendo energía del tomacorriente de alimentación.



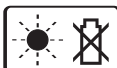
Si la luz indicadora verde está "ENCENDIDA", el cargador está enchufado pero el paquete de baterías no está introducido o el paquete de baterías se encuentra totalmente cargado y está siendo cargado continua y lentamente.



Si la luz indicadora verde "PARPADEA", el paquete de baterías está siendo cargado rápidamente. La carga rápida terminará automáticamente cuando el paquete de baterías esté totalmente cargado.



Si la luz indicadora roja está "ENCENDIDA", el paquete de baterías está demasiado caliente o demasiado frío para la carga rápida. El cargador cambiará a carga continua y lenta hasta que se alcance una temperatura adecuada, momento en el cual el cargador cambiará automáticamente a carga rápida.



Si la luz indicadora roja "PARPADEA", el paquete de baterías no puede aceptar una carga o los contactos del cargador o del paquete de baterías están contaminados. Limpie los contactos del cargador o del paquete de baterías únicamente tal como se indica en estas instrucciones de funcionamiento o en las que se suministran con la herramienta o con el paquete de baterías.

Enchufe el cordón del cargador en un tomacorriente eléctrico estándar. Antes de introducir el paquete de baterías, quite la tapa protectora y luego introduzca el paquete de baterías en el cargador (Fig. 15).

La luz indicadora verde del cargador comenzará a "PARPADEAR". Esto indica que la batería está recibiendo una carga rápida. La carga rápida se detendrá automáticamente cuando el paquete de baterías esté completamente cargado.

Cuando la luz indicadora deje de "PARPADEAR" (y se vuelva una luz verde constante), la carga rápida habrá terminado.

El paquete de baterías se puede usar incluso aunque la luz siga parpadeando. Puede que tenga que pasar más tiempo para que la luz deje de parpadear, según la temperatura. Cuando comience el proceso de carga del paquete de baterías, una luz roja constante también

podría significar que el paquete de baterías está demasiado caliente o demasiado frío.

El propósito de la luz verde es indicar que el paquete de baterías se está cargando rápidamente. No indica el punto exacto de carga completa. La luz dejará de parpadear en menos mas tiempo hora si el paquete de baterías no estaba completamente descargado.

Al cargar varias baterías en secuencia, es posible que el tiempo de carga aumente ligeramente.

Cuando el paquete de baterías esté completamente cargado, desenchufe el cargador (a menos que vaya a cargar otro paquete de baterías) y vuelva a introducir el paquete de baterías en la herramienta.

Para evitar incendios o lesiones cuando las baterías no estén en la herramienta o en el cargador, ponga siempre la tapa protectora en el extremo del paquete de baterías.

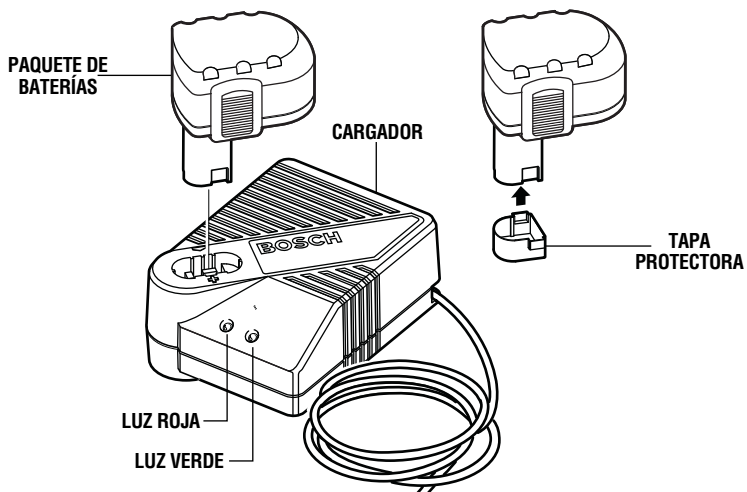


FIG. 15

CARGA DEL PAQUETE DE BATERÍAS (CON DOS BAHÍAS DE 30 MINUTOS BC230)

INDICADORES, SIMBOLOS Y SIGNIFICADO

Si la luz indicadora verde está apagada, el cargador no está recibiendo energía del tomacorriente de alimentación.



Si la luz indicadora roja está "ENCENDIDA", el paquete de baterías está demasiado caliente o demasiado frío para la carga rápida. El cargador cambiará a carga continua y lenta hasta que se alcance una temperatura adecuada, momento en el cual el cargador cambiará automáticamente a carga rápida.



Si la luz indicadora roja "PARPADEA", el paquete de baterías no puede aceptar una carga o los contactos del cargador o del paquete de baterías están contaminados. Limpie los contactos

del cargador o del paquete de baterías únicamente tal como se indica en estas instrucciones de funcionamiento o en las que se suministran con la herramienta o con el paquete de baterías.



Si la luz indicadora verde "PARPADEA", el paquete de baterías está siendo cargado rápidamente. La carga rápida terminará automáticamente cuando el paquete de baterías esté totalmente cargado.



Si la luz indicadora verde está "ENCENDIDA", el cargador está enchufado pero el paquete de baterías no está introducido o el paquete de baterías se encuentra totalmente cargado y está siendo cargado continuo y lentamente.

Enchufe el cordón del cargador en un tomacorriente eléctrico estándar. Antes de introducir el paquete de baterías, quite la tapa protectora y luego introduzca el paquete de baterías en el cargador (Fig. 16).

La luz indicadora verde del cargador comenzará a "PARPADEAR". Esto indica que la batería está recibiendo una carga rápida. La carga rápida se detendrá automáticamente cuando el paquete de baterías esté completamente cargado.

Cuando la luz indicadora deje de "PARPADEAR" (y se vuelva una luz verde constante), la carga rápida habrá terminado.

El paquete de baterías se puede usar incluso aunque la luz siga parpadeando. Puede que tenga que pasar más tiempo para que la luz deje de parpadear, según la temperatura. Cuando comience el proceso de carga del paquete de baterías, una luz roja constante

también podría significar que el paquete de baterías está demasiado caliente o demasiado frío.

El propósito de la luz verde es indicar que el paquete de baterías se está cargando rápidamente. No indica el punto exacto de carga completa. La luz dejará de parpadear en menos mas tiempo hora si el paquete de baterías no estaba completamente descargado.

Al cargar varias baterías en secuencia, es posible que el tiempo de carga aumente ligeramente.

Cuando el paquete de baterías esté completamente cargado, desenchufe el cargador (a menos que vaya a cargar otro paquete de baterías) y vuelva a introducir el paquete de baterías en la herramienta.

Para evitar incendios o lesiones cuando las baterías no estén en la herramienta o en el cargador, ponga siempre la tapa protectora en el extremo del paquete de baterías.

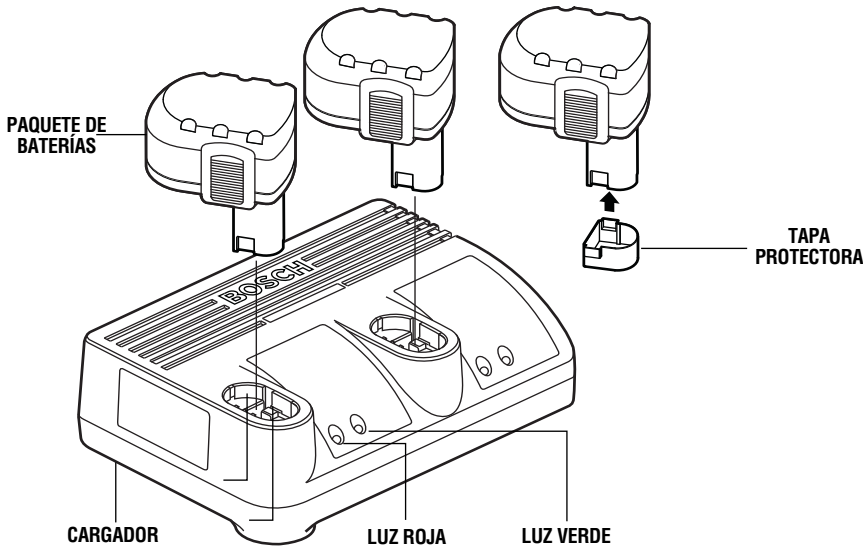


FIG. 16

CARGA DEL PAQUETE DE BATERÍAS (CARGADOR DE 1 HORA)

INDICADORES, SIMBOLOS Y SIGNIFICADO

Si la luz indicadora verde está apagada, el cargador no está recibiendo energía del tomacorriente de alimentación.



Si la luz indicadora verde está "ENCENDIDA", el cargador está enchufado pero el paquete de baterías no está introducido o el paquete de baterías se encuentra totalmente cargado y está siendo cargado continua y lentamente, o el paquete de baterías está demasiado

caliente o demasiado frío para la carga rápida. El cargador cambiará a carga continua y lenta hasta que se alcance una temperatura adecuada, momento en el cual el cargador cambiará automáticamente a carga rápida.



Si la luz indicadora verde "PARPADEA", el paquete de baterías está siendo cargado rápidamente. La carga rápida terminará automáticamente cuando el paquete de baterías esté totalmente cargado.

Enchufe el cordón del cargador en un tomacorriente eléctrico estándar. Antes de introducir el paquete de baterías, quite la tapa protectora y luego introduzca el paquete de baterías en el cargador (Fig. 17).

El indicador verde del cargador comenzará a "PARPADEAR". Esto indica que la batería está recibiendo una carga rápida. La carga rápida se detendrá automáticamente cuando el paquete de baterías esté completamente cargado.

Cuando la luz indicadora deje de "PARPADEAR" (y pase a ser una luz verde constante), la carga rápida se habrá completado.

Cuando comience el proceso de carga del paquete de baterías, una luz verde constante también podría significar que el paquete de baterías está demasiado caliente o demasiado frío.

El propósito de la luz es indicar que el paquete de baterías se está cargando rápidamente. No indica el punto exacto de carga completa. La luz dejará de parpadear en menos mas tiempo hora si el paquete de baterías no estaba completamente descargado.

Cuando el paquete de baterías esté completamente cargado, desenchufe el cargador (a menos que vaya a cargar otro paquete de baterías) y deslice el paquete de baterías de vuelta en el interior del mango de la herramienta.

Para evitar incendios o lesiones cuando las baterías no estén en la herramienta o en el cargador, ponga siempre la tapa protectora en el extremo del paquete de baterías. La tapa protectora protege contra el cortocircuitado de los terminales.

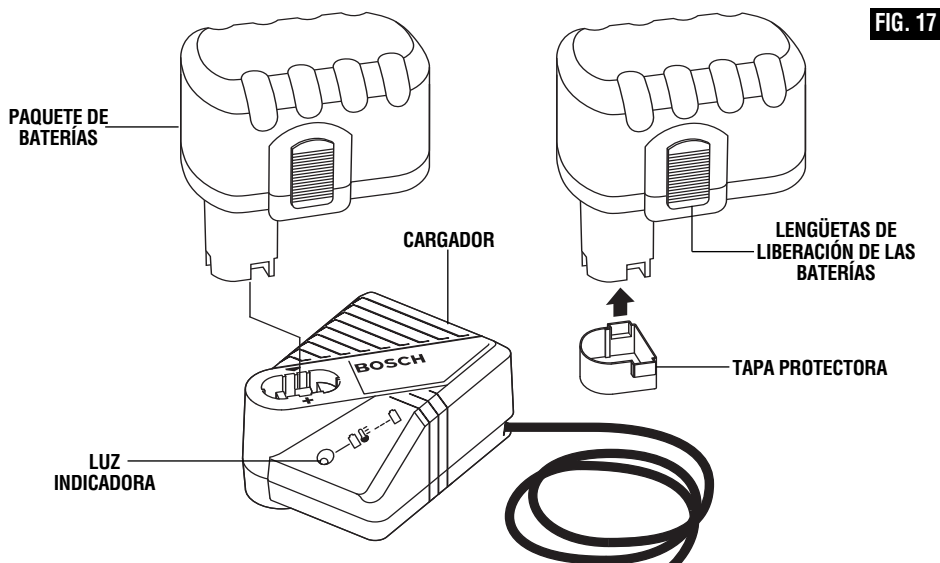


FIG. 17

Mantenimiento

Servicio

⚠ ADVERTENCIA NO HAY PIEZAS EN EL INTERIOR QUE PUEDAN SER AJUSTADAS O REPARADAS POR EL USUARIO. El mantenimiento preventivo realizado por personal no autorizado puede dar lugar a la colocación incorrecta de cables y componentes internos que podría constituir un peligro serio. Recomendamos que todo el servicio de las herramientas sea realizado en un Centro de servicio de fábrica Bosch o en una Estación de servicio Bosch autorizada. **TECNICOS DE REPARACIONES:** Desconecten la herramienta y/o el cargador de la fuente de energía antes de realizar servicio de ajustes y reparaciones.

BATERIAS

Esté alerta a los paquetes de baterías que estén aproximándose al final de su vida útil. Si observa una disminución del rendimiento de la herramienta o un tiempo de funcionamiento significativamente más corto entre cargas, entonces ha llegado el momento de cambiar el paquete de baterías. Si no se hace esto, el resultado puede ser que la herramienta funcione incorrectamente o que el cargador se dañe.

Cuando la batería se almacene a largo plazo, debe estar en estado de descarga. Los paquetes de baterías duran más y se recargan mejor cuando se almacenan descargados. Recuerde recargar completamente los paquetes de baterías antes de utilizarlos después de un almacenamiento prolongado.

LUBRICACION DE LAS HERRAMIENTAS

Su herramienta Bosch ha sido lubricada adecuadamente y está lista para la utilización.

MOTORES "CORRIENTE DIRECTA"

El motor de la herramienta ha sido diseñado para muchas horas de servicio fiable. Para mantener un rendimiento óptimo del motor, recomendamos que éste sea examinado cada seis meses. Sólo se debe usar un motor de repuesto Bosch genuino diseñado especialmente para la herramienta.

RODAMIENTOS

Los rodamientos que se vuelven ruidosos (debido a la pesada carga o al corte de materiales muy abrasivos) deben ser sustituidos inmediatamente para evitar el sobrecalentamiento y el fallo del motor.

Limpieza

⚠ ADVERTENCIA Para evitar accidentes, desconecte siempre la herramienta y/o el cargador de la fuente de energía antes de la limpieza. La herramienta se puede limpiar más eficazmente con aire comprimido seco. **Use gafas de seguridad siempre que limpie herramientas con aire comprimido.**

Las aberturas de ventilación y las palancas de interruptor deben mantenerse limpias y libres de materias extrañas. No intente limpiar introduciendo objetos puntiagudos a través de las aberturas.

⚠ PRECAUCION Ciertos agentes de limpieza y disolventes dañan las piezas de plástico. Algunos de estos son: gasolina, tetracloruro de carbono, disolventes de limpieza clorados, amoníaco y detergentes domésticos que contienen amoníaco.

Accesorios

⚠ ADVERTENCIA Si es necesario un cordón de extensión, se debe usar un cordón con conductores de tamaño adecuado que sea capaz de transportar la corriente necesaria para la herramienta. Esto evitará caídas de tensión excesivas, pérdida de potencia o recalentamiento. Las herramientas conectadas a tierra deben usar cordones de extensión de 3 hilos que tengan enchufes de 3 terminales y receptáculos para 3 terminales.

NOTA: Cuanto más pequeño es el número de calibre, más grueso es el cordón.

TAMAÑOS RECOMENDADOS DE CORDONES DE EXTENSION HERRAMIENTAS DE 120 V CORRIENTE ALTERNA

Capacidad nominal en amperes de la herramienta	Tamaño del cordón en A.W.G.				Tamaños del cable en mm ²			
	Longitud del cordón en pies				Longitud del cordón en metros			
	25	50	100	150	15	30	60	120
3-6	18	16	16	14	0,75	0,75	1,5	2,5
6-8	18	16	14	12	0,75	1,0	2,5	4,0
8-10	18	16	14	12	0,75	1,0	2,5	4,0
10-12	16	16	14	12	1,0	2,5	4,0	—
12-16	14	12	—	—	—	—	—	—

(* = equipo estándar)

(** = accesorios opcionales)

** Cargador de 15 minutos

** Cargador de 30 minutos (con bahía única)

** Cargador de 30 minutos (con dos bahías)

** Cargador de una hora

* Tope-guía para cortar al hilo

* Hoja de carburo de 137 mm con 18 dientes para separación de corte estrecha

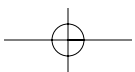
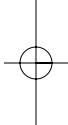
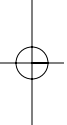
** Hoja de carburo de 137 mm con 24 dientes para separación de corte estrecha

** Manguera "Airsweep" de 15 pies que se acopla a la mayoría de aspiradoras

Notes:



Remarques :



Notas:

LIMITED WARRANTY OF BOSCH PORTABLE AND BENCHTOP POWER TOOLS

Robert Bosch Tool Corporation ("Seller") warrants to the original purchaser only, that all BOSCH portable and benchtop power tools will be free from defects in material or workmanship for a period of one year from date of purchase. SELLER'S SOLE OBLIGATION AND YOUR EXCLUSIVE REMEDY under this Limited Warranty and, to the extent permitted by law, any warranty or condition implied by law, shall be the repair or replacement of parts, without charge, which are defective in material or workmanship and which have not been misused, carelessly handled, or misrepaired by persons other than Seller or Authorized Service Station. To make a claim under this Limited Warranty, you must return the complete portable or benchtop power tool product, transportation prepaid, to any BOSCH Factory Service Center or Authorized Service Station. For Authorized BOSCH Power Tool Service Stations, please refer to your phone directory.

THIS LIMITED WARRANTY DOES NOT APPLY TO ACCESSORY ITEMS SUCH AS CIRCULAR SAW BLADES, DRILL BITS, ROUTER BITS, JIGSAW BLADES, SANDING BELTS, GRINDING WHEELS AND OTHER RELATED ITEMS.

ANY IMPLIED WARRANTIES SHALL BE LIMITED IN DURATION TO ONE YEAR FROM DATE OF PURCHASE. SOME STATES IN THE U.S., SOME CANADIAN PROVINCES DO NOT ALLOW LIMITATIONS ON HOW LONG AN IMPLIED WARRANTY LASTS, SO THE ABOVE LIMITATION MAY NOT APPLY TO YOU.

IN NO EVENT SHALL SELLER BE LIABLE FOR ANY INCIDENTAL OR CONSEQUENTIAL DAMAGES (INCLUDING BUT NOT LIMITED TO LIABILITY FOR LOSS OF PROFITS) ARISING FROM THE SALE OR USE OF THIS PRODUCT. SOME STATES IN THE U.S. AND SOME CANADIAN PROVINCES DO NOT ALLOW THE EXCLUSION OR LIMITATION OF INCIDENTAL OR CONSEQUENTIAL DAMAGES, SO THE ABOVE LIMITATION OR EXCLUSION MAY NOT APPLY TO YOU.

THIS LIMITED WARRANTY GIVES YOU SPECIFIC LEGAL RIGHTS, AND YOU MAY ALSO HAVE OTHER RIGHTS WHICH VARY FROM STATE TO STATE IN THE U.S., PROVINCE TO PROVINCE IN CANADA AND FROM COUNTRY TO COUNTRY.

THIS LIMITED WARRANTY APPLIES ONLY TO PORTABLE AND BENCHTOP ELECTRIC TOOLS SOLD WITHIN THE UNITED STATES OF AMERICA, CANADA AND THE COMMONWEALTH OF PUERTO RICO. FOR WARRANTY COVERAGE WITHIN OTHER COUNTRIES, CONTACT YOUR LOCAL BOSCH DEALER OR IMPORTER.

GARANTIE LIMITÉE DES OUTILS ÉLECTRIQUES PORTATIFS ET D'ÉTABLI BOSCH

Robert Bosch Tool Corporation (le « vendeur ») garantit à l'acheteur initial seulement que tous les outils électriques portatifs et d'établi BOSCH seront exempts de vices de matériaux ou d'exécution pendant une période d'un an depuis la date d'achat. LA SEULE OBLIGATION DU VENDEUR ET LE SEUL RECOURS DE L'ACHETEUR sous la présente garantie limitée, et en autant que la loi le permette sous toute garantie ou condition implicite qui en découlerait, sera l'obligation de remplacer ou réparer gratuitement les pièces défectueuses matériellement ou comme fabrication, pourvu que lesdites défectosités ne soient pas attribuables à un usage abusif ou à quelque réparation bricolée par quelqu'un d'autre que le vendeur ou le personnel d'une station-service agréée. Pour présenter une réclamation en vertu de cette garantie limitée, vous devez renvoyer l'outil électrique portatif ou d'établi complet, port payé, à tout centre de service agréé ou centre de service usine. Veuillez consulter votre annuaire téléphonique pour les adresses.

LA PRÉSENTE GARANTIE NE S'APPLIQUE PAS AUX ACCESSOIRES TELS QUE LAMES DE SCIÉS CIRCULAIRES, MÊCHES DE PERCEUSES, FERS DE TROUPES, LAMES DE SCIÉS SAUTEUSES, COURROIES DE PONÇAGE, MEULES ET AUTRES ARTICLES DU GENRE.

TOUTE GARANTIE IMPLICITE SERA LIMITÉE COMME DURÉE À UN AN À COMPTER DE LA DATE D'ACHAT. CERTAINS ÉTATS AMÉRICAINS, CERTAINES PROVINCES CANADIENNES N'ADMETTANT PAS LE PRINCIPE DE LA LIMITATION DE LA DURÉE DES GARANTIES IMPLICITES, IL EST POSSIBLE QUE LES LIMITATIONS CI-DESSUS NE S'APPLIQUENT PAS À VOTRE CAS.

EN AUCUN CAS LE VENDEUR NE SAURAIT ÊTRE TENU POUR RESPONSABLE DES INCIDENTS OU DOMMAGES INDIRECTS (INCLUANT, MAIS NE SE LIMITANT PAS AUX PERTES DE PROFITS) CONSÉCUTIFS À LA VENTE OU L'USAGE DE CE PRODUIT. CERTAINS ÉTATS AMÉRICAINS ET CERTAINES PROVINCES CANADIENNES N'ADMETTANT PAS LE PRINCIPE DE LA LIMITATION NI L'EXCLUSION DES DOMMAGES INDIRECTS ET CONSÉQUENTIELS, IL EST POSSIBLE QUE LES LIMITATIONS OU EXCLUSIONS CI-DESSUS NE S'APPLIQUENT PAS À VOTRE CAS.

LA PRÉSENTE GARANTIE VOUS ACCORDE DES DROITS BIEN DÉTERMINÉS, Y COMPRIS POSSIBLEMENT CERTAINS DROITS VARIABLES DANS LES DIFFÉRENTS ÉTATS AMÉRICAINS, PROVINCES CANADIENNE ET DE PAYS À PAYS.

CETTE GARANTIE LIMITÉE NE S'APPLIQUE QU'ÀUX OUTILS ÉLECTRIQUES PORTATIFS ET D'ÉTABLI VENDUS AUX ÉTATS-UNIS D'AMÉRIQUE, AU CANADA ET AU COMMONWEALTH DE PORTO RICO. POUR COUVERTURE DE GARANTIE DANS LES AUTRES PAYS, CONTACTEZ VOTRE IMPORTATEUR OU REVENDEUR BOSCH LOCAL.

GARANTIA LIMITADA PARA HERRAMIENTAS MECANICAS PORTATILES Y PARA TABLERO DE BANCO BOSCH

Robert Bosch Tool Corporation ("el Vendedor") garantiza, únicamente al comprador original, que todas las herramientas mecánicas portátiles y para tablero de banco BOSCH estarán libres de defectos de material o de fabricación durante un periodo de un año a partir de la fecha de compra. LA ÚNICA OBLIGACION DEL VENDEDOR Y EL RECURSO EXCLUSIVO QUE USTED TIENE bajo esta Garantía Limitada y, hasta donde la ley lo permita, bajo cualquier garantía o condición implícita por ley, consistirá en la reparación o sustitución sin costo de las piezas que presenten defectos de material o de fabricación y que no hayan sido utilizadas incorrectamente, manejadas descuidadamente o reparadas incorrectamente por personas que no sean el Vendedor o una Estación de servicio autorizada. Para efectuar una reclamación bajo esta Garantía Limitada, usted debe devolver el producto, que consiste en la herramienta mecánica portátil o para tablero de banco completa, con el transporte pagado, a cualquier Centro de servicio de fábrica o Estación de servicio autorizada. Para Estaciones de servicio autorizadas de herramientas mecánicas BOSCH, por favor, consulte el directorio telefónico.

ESTA GARANTIA LIMITADA NO SE APLICA A ARTICULOS ACCESORIOS TALES COMO HOJAS PARA SIERRAS CIRCULARES, BROCAS PARA TALADROS, BROCAS PARA FRESADORAS, HOJAS PARA SIERRAS DE VAIVEN, CORREAS PARA LIJAR, RUEDAS DE AMOLAR Y OTROS ARTICULOS RELACIONADOS.

TODAS LAS GARANTIAS IMPLICITAS TENDRAN UNA DURACION LIMITADA A UN AÑO A PARTIR DE LA FECHA DE COMPRA. ALGUNOS ESTADOS DE LOS EE.UU. Y ALGUNAS PROVINCIAS CANADIENSES NO PERMITEN LIMITACIONES EN CUANTO A LA DURACION DE UNA GARANTIA IMPLICITA, POR LO QUE ES POSIBLE QUE LA LIMITACION ANTERIOR NO SEA APLICABLE EN EL CASO DE USTED.

EL VENDEDOR NO SERA RESPONSABLE EN NINGUN CASO DE NINGUN DAÑO INCIDENTAL O EMERGENTE (INCLUYENDO PERO NO LIMITADO A RESPONSABILIDAD POR PERDIDA DE BENEFICIOS) QUE SE PRODUZCA COMO CONSECUENCIA DE LA VENTA O UTILIZACION DE ESTE PRODUCTO. ALGUNOS ESTADOS DE LOS EE.UU. Y ALGUNAS PROVINCIAS CANADIENSES NO PERMITEN LA EXCLUSION O LIMITACION DE LOS DAÑOS INCIDENTALES O EMERGENTES, POR LO QUE ES POSIBLE QUE LA LIMITACION O EXCLUSION ANTERIOR NO SEA APLICABLE EN EL CASO DE USTED.

ESTA GARANTIA LIMITADA LE CONFIERE A USTED DERECHOS LEGALES ESPECIFICOS Y ES POSIBLE QUE USTED TAMBIEN TENGA OTROS DERECHOS QUE VARIAN DE ESTADO A ESTADO EN LOS EE.UU., DE PROVINCIA A PROVINCIA EN CANADA Y DE UN PAIS A OTRO.

ESTA GARANTIA LIMITADA SE APLICA SOLAMENTE A HERRAMIENTAS ELECTRICAS PORTATILES Y PARA TABLERO DE BANCO VENDIDAS EN LOS ESTADOS UNIDOS DE AMERICA, CANADA Y EL ESTADO LIBRE ASOCIADO DE PUERTO RICO. PARA COBERTURA DE GARANTIA EN OTROS PAISES, PONGASE EN CONTACTO CON SU DISTRIBUIDOR O IMPORTADOR LOCAL DE BOSCH.

© Robert Bosch Tool Corporation 1800 W. Central Road Mt. Prospect, IL 60056-2230

Exportado por: Robert Bosch Tool Corporation Mt. Prospect, IL 60056-2230, E.U.A.

Importado en México por: Robert Bosch, S.A. de C.V., Calle Robert Bosch No. 405, Zona Industrial, Toluca, Edo. de México, C.P. 50070, Tel. (722) 2792300