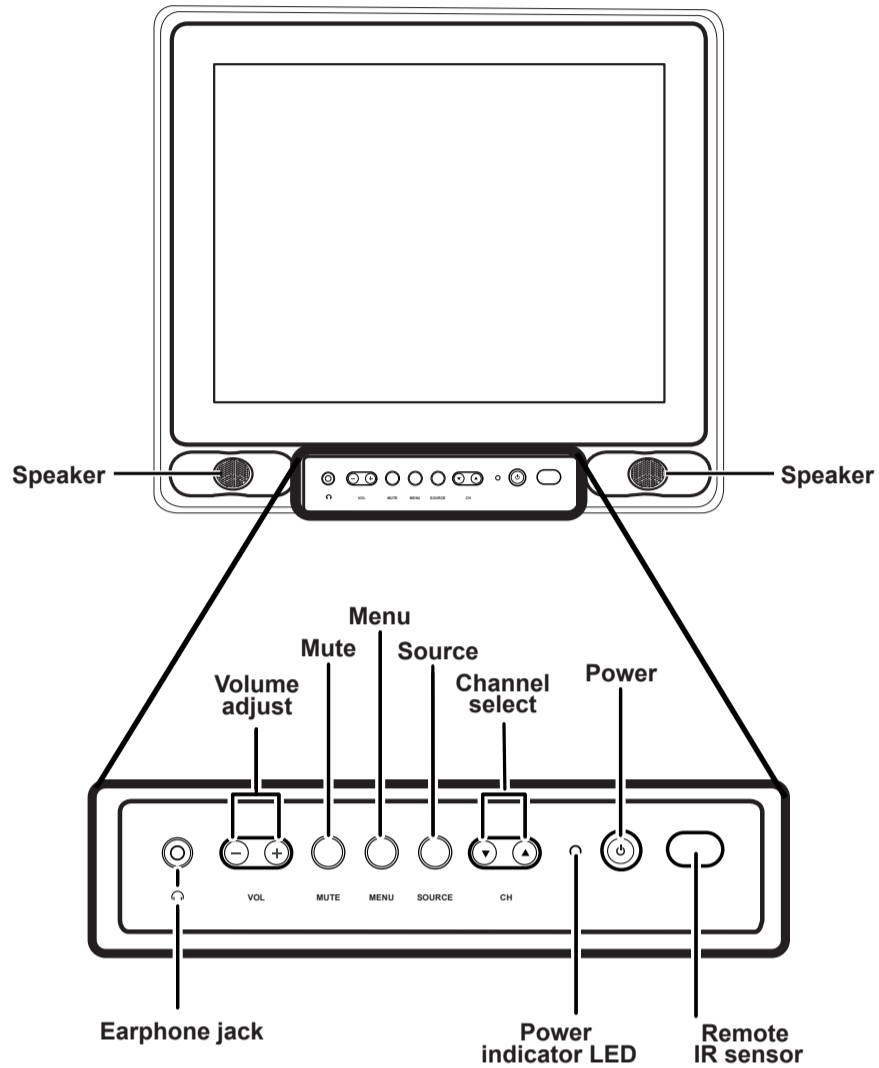
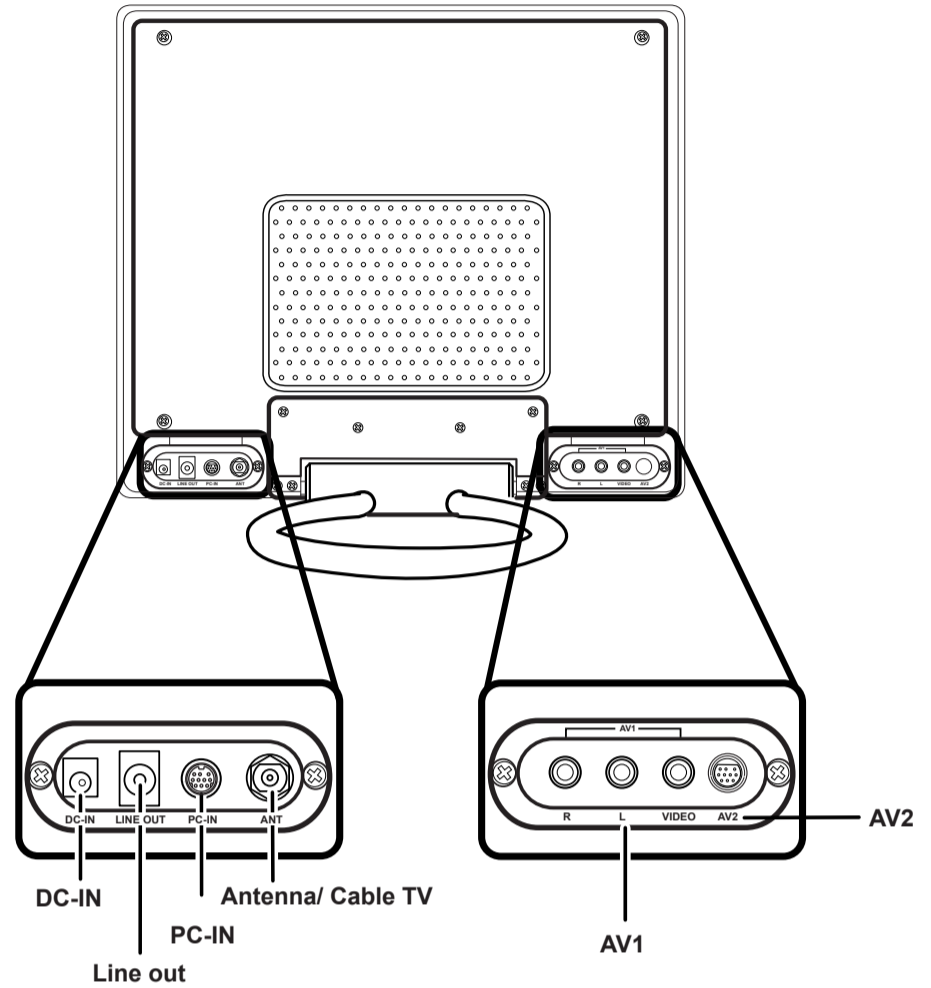


This guide is designed as a reference to help you start using your LCD TV quickly. Please refer to the User's Manual for more detailed installation and safety instructions.

### Front View

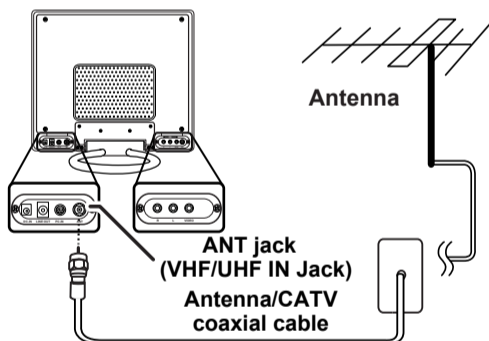


### Rear View



## Making Connections

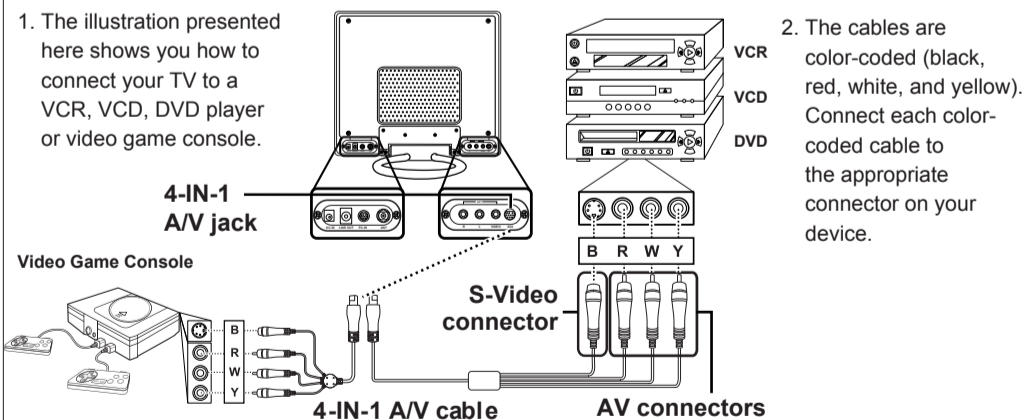
### Connecting to Antenna/Cable TV



1. Connect one end of the VHF/UHF (Antenna) or CATV cable to ANT Jack (VHF/UHF IN Jack) on the back of the TV.
2. Connect the other end of the VHF/UHF (Antenna) or CATV cable to the Antenna or CATV socket.

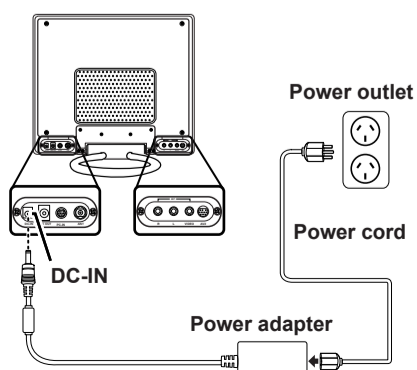
### Connecting to a VCR, VCD, DVD Player, or Video Game Console

1. The illustration presented here shows you how to connect your TV to a VCR, VCD, DVD player or video game console.



2. The cables are color-coded (black, red, white, and yellow). Connect each color-coded cable to the appropriate connector on your device.

### Connecting the Power Adapter



1. Connect the power cord to the power adapter as illustrated.
2. Plug the power adapter connector into the DC-IN input jack on the rear panel of the TV.
3. Insert the three-pronged plug at the other end of the power cord into a power outlet.

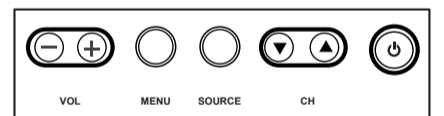
**Note :**  
 1. For information on connecting your TV to a computer, refer to the user's manual.  
 2. Images are for illustration only and may vary by model or region.

## A/V and Channel Setup

### Watching Broadcast or Cable TV

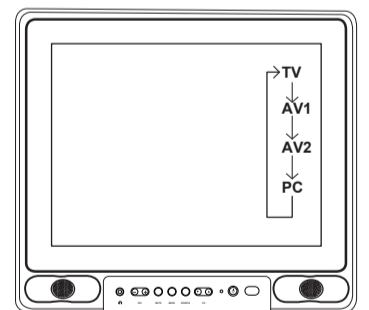
#### For NTSC System Only

1. After you have made the appropriate power and source connections, press the **POWER** button to turn on your television.
2. Press the **SOURCE** button to select TV mode.
3. Press the **MENU** button to enter the OSD menu.
4. Use the **CH**  $\nabla$  button to select "TV".
5. Press the **VOL +** button to enter TV setting.
6. Press the **CH**  $\nabla$  button to select "TV/CATV".
7. Press the **VOL +** button to select "TV" (broadcast TV) or "CATV" (cable TV).



### Selecting A/V Sources

1. Make sure your TV is turned on and a device such as a DVD player is connected.
2. Press the **SOURCE** button on the control panel to select different source signals. TV/CATV, "AV1", "AV2" or "PC" appears on the screen.



### Auto Channel Setup

Please follow the instructions by using the control panel.

1. Press the **MENU** button to enter the OSD menu.
2. Use the **CH**  $\nabla$  button to select "TV".
3. Press **VOL +** button into the TV setting.
4. Press **CH**  $\nabla$  button until the "Auto Program" feature is selected.
5. Press **VOL +** to begin "Auto Program".
6. Your television will begin automatically memorizing the available channels.

#### Auto Program

