

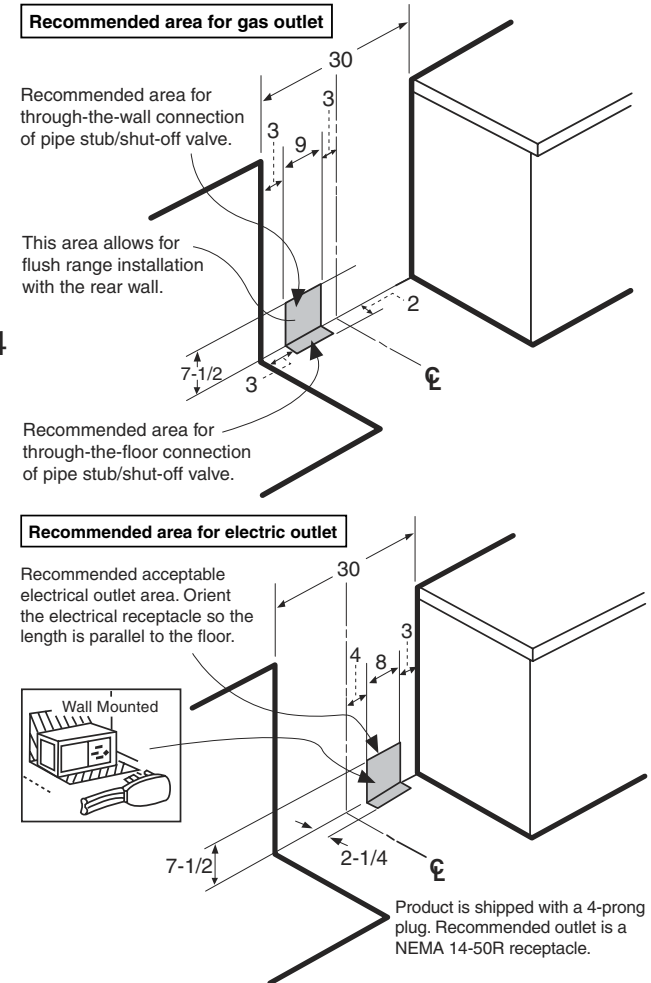
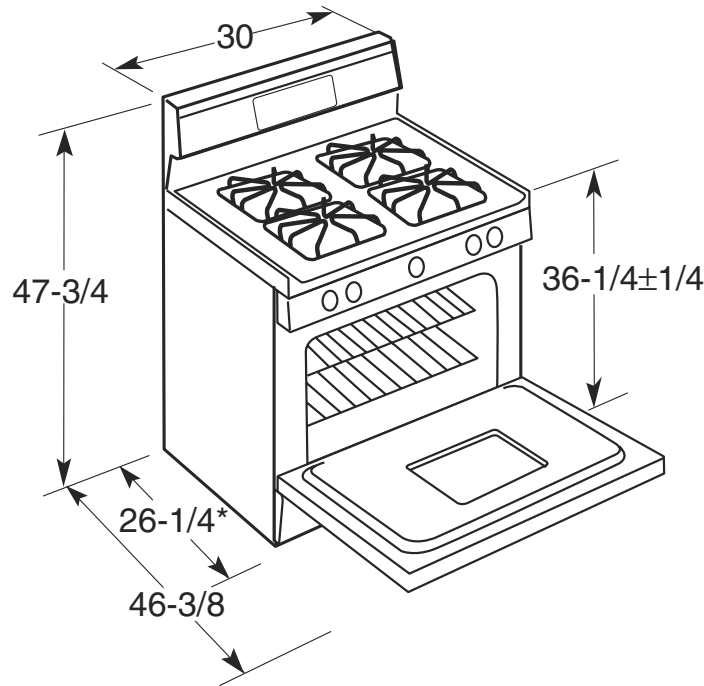
J2B918WEK/CEK/BEK

GE Profile™ 30" Free-Standing Dual-Fuel Double Oven Range

Dimensions and Installation Information

Note: Dimension from the wall to the front of the closed door handle is 29". Depth to front edge of cooktop 25-1/4". Factory set for Natural Gas. A set of LP orifices is included with each range for LP conversion.

Installation Information: Before installing, consult installation instructions packed with product for current dimensional data.



For answers to your Monogram®, GE Profile™ or GE® appliance questions, visit our website at ge.com or call GE Answer Center® service, 800.626.2000.

Dimension and installation information are shown in inches.



imagination at work



All GE ranges are equipped with an Anti-Tip device. The installation of this device is an important, required step in the installation of the range.



Specification Created 12/04

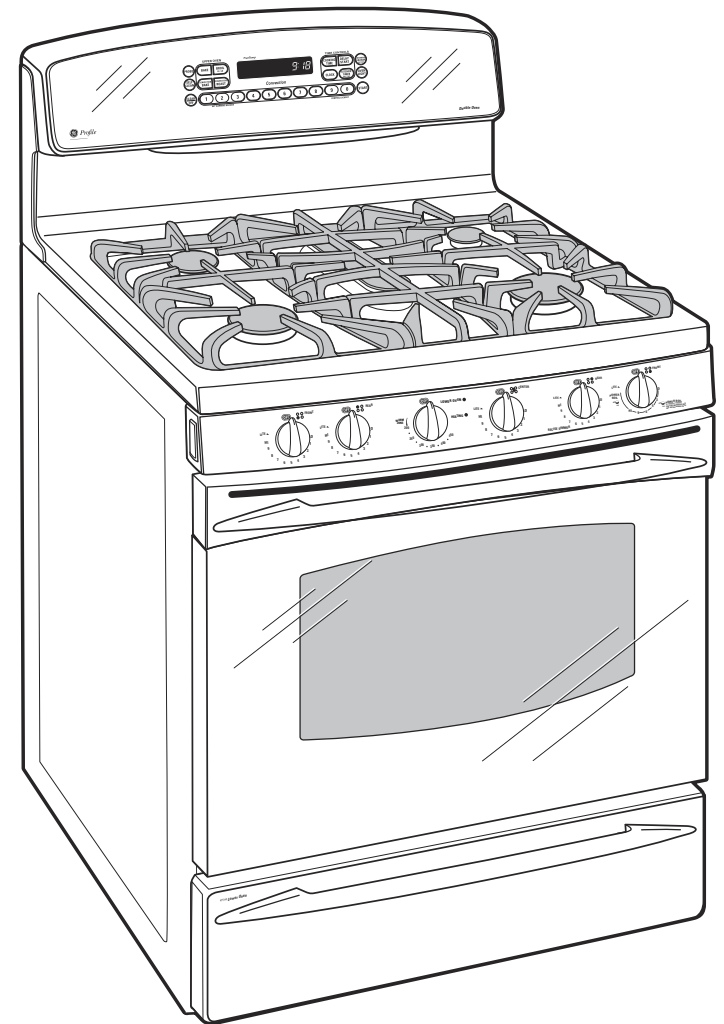
221207

J2B918WEK/CEK/BEK

GE Profile™ 30" Free-Standing Dual-Fuel Double Oven Range

Features and Benefits

- Electric convection oven - Features electric heating elements and a fan that circulates air throughout the oven cavity, to deliver uniform and savory cooking results
- Self clean oven - Conveniently cleans the oven cavity without need of scrubbing
- Center oval burner - Fifth burner in the center of the cooktop, ideal for griddle or odd-size cookware
- Non-stick griddle - Placed over a fifth center burner the griddle provides a flat, non-stick surface for cooking and warming all types of foods
- Super-large oven capacity - Provides an impressively large oven interior for cooking more dishes and large meals at once
- Deep recessed cooktop - Designed with a recessed surface to help contain spills and make cleaning easy
- QuickSet VI glass touch oven controls - A smooth glass design that is easy-to-operate and easy-to-clean
- Precise simmer burner - Offers the low setting of 600 BTUs, ensuring more temperature control for simmering
- Sealed cooktop burners - Eliminates the space between the burners and the cooktop to help contain spills and boil over liquids, ensuring easy cleanup
- Power Boil™ 17,000 BTU burner - Delivers 17,000 BTUs of forceful heat for rapid boiling
- Model J2B918WEKWW - White on white
- Model J2B918CEKCC - Bisque on bisque
- Model J2B918BEKBB - Black on black



imagination at work