



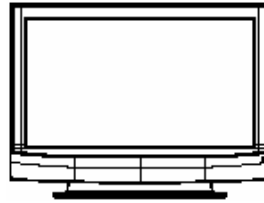
LCD TV User Manual

L26W781B

L32W781B

L37W781B

L42W781B



LCD TV

USER'S MANUAL

TABLE OF CONTENTS

INSTALLATION	1
For Your Safety	1
IMPORTANT SAFETY INSTRUCTIONS	4
PREPARATION	6
OPERATING INSTRUCTIONS	8
Use of the remote control	8
Teletext	9
To use the menus	10
Main menu	10
DTV menu	18
CONNECT PERIPHERAL EQUIPMENT	24
Control Knobs	24
Preparation	25
Video recorder	26
SCART connection	26
Camera, camcorder, Video Game set	27
Wall Mount	27
Headphone	28
Tips	28
BEFORE CALLING SERVICE	29
Glossary	30
Product specification.....	31

Thank you very much for choosing the LCD TV.

We recommend that you take a few minutes to read carefully through this manual before installing and switching on the TV. Please keep this manual in a safe place for your future reference.

FOR YOUR SAFETY

Before operating the TV please read this manual thoroughly. This manual should be retained for future reference.

NOTICE

The changes or modifications not expressly approved by the party responsible for compliance could void the user's authority to operate the equipment.

Shielded interface cables and AC power cord, if any, must be used in order to comply with the emission limits.

The manufacturer is not responsible for any radio or TV interference caused by unauthorized modification to this equipment. It is the responsibilities of the user to correct such interference.

WARNING:

To prevent fire or shock hazard, do not expose the TV to rain or moisture. Dangerously high voltages are present inside the TV. Do not open the cabinet. Refer servicing to qualified personnel only.




Disposal of Waste Equipment by Users in Private Household in the European Union.

This symbol on the product or on its packaging indicates that this product must not be disposed of with your other household waste. Instead, it is your responsibility to dispose of your waste equipment

by handing it over to a designated collection point for the recycling of waste electrical and electronic equipment. The separate collection and recycling of your waste equipment at the time of disposal will help to conserve natural resources and ensure that it is recycled in a manner that protects human health and the environment. For more information about where you can drop off your waste equipment for recycling, please contact your local city office, your household waste disposal service or the shop where you purchased the product.

This manual applies to several TV set models. Some features may not be available on the model you purchased.


Optional functions are indicated by the following symbol: 

Compliance Information

CE Conformity for European Countries



The device complies with the requirements of the EEC directive 89/336/EEC as amended by 92/31/EEC and 93/68/EEC Art.5 with regard to "Electromagnetic compatibility", and 73/23/EEC as amended by 93/68/EEC Art.13 with regard to "Safety."

SRS and  are registered trademarks of SRS Labs, Inc. This product is designed using SRS technology with permission from SRS Labs, Inc.



LCD panel

The LCD panel used in this product is made of glass. Therefore, it can break when the product is dropped or impacted upon by other objects.

The LCD panel is a very high technology product, giving you finely detailed pictures. Occasionally, a few non-active pixels may appear on the screen as a fixed point of blue, green or red. This does not affect the performance of your product.

In order to ensure long performance of your set and reduce the risk of screen burning, please observe the following precautions.

- Do not display still images (still computer and video game images, logos, pictures, text and images displayed in 4:3) for extended periods of time;
- Use a screen saver when using a computer;

Declaration of RoHS Compliance

This product has been designed and manufactured in compliance with Directive 2002/95/EC of the European Parliament and the Council on restriction of the use of certain hazardous substances in electrical and electronic equipment (RoHS Directive) and is deemed to comply with the maximum concentration values issued by the European Technical Adaptation Committee (TAC) as shown below:

Substance	Proposed Maximum Concentration	Actual Concentration
Lead (Pb)	0.1%	< 0.1%
Mercury (Hg)	0.1%	< 0.1%
Cadmium (Cd)	0.01%	< 0.01%
Hexavalent Chromium (Cr ⁶⁺)	0.1%	< 0.1%
Polybrominated biphenyls (PBB)	0.1%	< 0.1%
Polybrominated diphenyl ethers (PBDE)	0.1%	< 0.1%

Certain components of products as stated above are exempted under the Annex of the RoHS Directives as noted below: Examples of exempted components are: 1. Mercury in compact fluorescent lamps not exceeding 5 mg per lamp and in other lamps not specifically mentioned in the Annex of RoHS Directive. 2. Lead in glass of cathode ray tubes, electronic components, fluorescent tubes, and electronic ceramic parts (e.g. piezoelectronic devices). 3. Lead in high temperature type solders (i.e. lead-based alloys containing 85% by weight or more lead). 4. Lead as an alloying element in steel containing up to 0.35% lead by weight, aluminium containing up to 0.4% lead by weight and as a copper alloy containing up to 4% lead by weight.

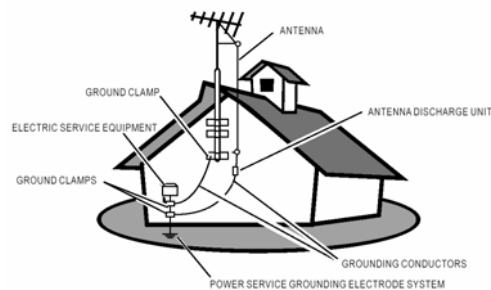
IMPORTANT SAFETY INSTRUCTIONS

Read before operating equipment

1. Read these instructions.
2. Keep these instructions.
3. Heed all warnings.
4. Follow all instructions.
5. Do not use this apparatus near water.
6. Clean only with a dry cloth.
7. Do not block any of the ventilation openings. Install in accordance with the manufacturers instructions.
8. Do not install near any heat sources such as radiators, heat registers, stoves, or other apparatus (including amplifiers) that produce heat.
9. Do not defeat the safety purpose of the polarized or grounding type plug. When the provided plug does not fit into your outlet, consult an electrician for replacement of the obsolete outlet.
10. Protect the power cord from being walked on or pinched particularly at plugs, convenience receptacles, and the point where they exit from the apparatus.
11. Only use attachments/accessories specified by the manufacturer.
12. Use only with a cart, stand, tripod, bracket, or table specified by the manufacturer, or sold with the apparatus. When a cart is used, use caution when moving the cart/apparatus combination to avoid injury from tip-over.
13. The TV should be operated only from the type of power source indicated on the label. If you are not sure of the type of power supplied to your home, consult your dealer or local power company.
14. Unplug this apparatus during lightning storms or when unused for long periods of time.
15. Refer all servicing to qualified service personnel. Servicing is required when the apparatus has been damaged in any way, such as power-supply cord or plug is damaged, liquid has been spilled or objects have fallen into apparatus, the apparatus has been exposed to rain or moisture, does not operate normally, or has been dropped.
16. This product may contain lead or mercury. Disposal of these materials may be regulated due to environmental considerations. For disposal or recycling information, please contact your local authorities or the Electronic Industries Alliance: www.eiae.org
17. **Damage Requiring Service** – The appliance should be serviced by qualified service personnel when:
 - A. The power supply cord or the plug has been damaged; or
 - B. Objects have fallen, or liquid has been spilled into the appliance; or
 - C. The appliance has been exposed to rain; or
 - D. The appliance does not appear to operate normally or exhibits a marked change in performance; or
 - E. The appliance has been dropped, or the enclosure damaged.

18. **Tilt/Stability** – All televisions must comply with recommended international global safety standards for tilt and stability properties of its cabinets design.
 - Do not compromise these design standards by applying excessive pull force to the front, or top, of the cabinet, which could ultimately overturn the product.
 - Also, do not endanger yourself, or children, by placing electronic equipment/toys on the top of the cabinet. Such items could unsuspectingly fall from the top of the set and cause product damage and/or personal injury.
19. **Wall or Ceiling Mounting** – The appliance should be mounted to a wall or ceiling only as recommended by the manufacturer.
20. **Power Lines** – An outdoor antenna should be located away from power lines.
21. **Outdoor Antenna Grounding** – If an outside antenna is connected to the receiver, be sure the antenna system is grounded so as to provide some protection against voltage surges and built up static charges.

Section 810 of the National Electric Code, ANSI/NFPA No. 70-1984, provides information with respect to proper grounding of the masts and supporting structure grounding of the lead-in wire to an antenna-discharge unit, size of grounding connectors, location of antenna-discharge unit, connection to grounding electrodes and requirements for the grounding electrode. See Figure below.



EXAMPLE OF ANTENNA GROUNDING AS PER NATIONAL ELECTRICAL CODE

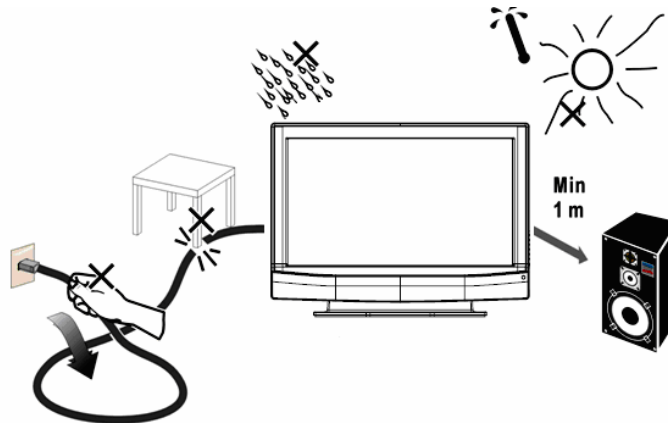
Note to the CATV system installer: This reminder is provided to call the CATV system installer's attention to Article 820-40 of the NEC that provides guidelines for proper grounding and, in particular, specifies that the cable ground shall be connected to the grounding system of the building, as close to the point of cable entry as practical.

Please, make sure to connect the power plug to the wall outlet socket after connecting the TV to the adapter!

22. **Objects and Liquid Entry** – Care should be taken so that objects do not fall and liquids are not spilled into the enclosure through openings.

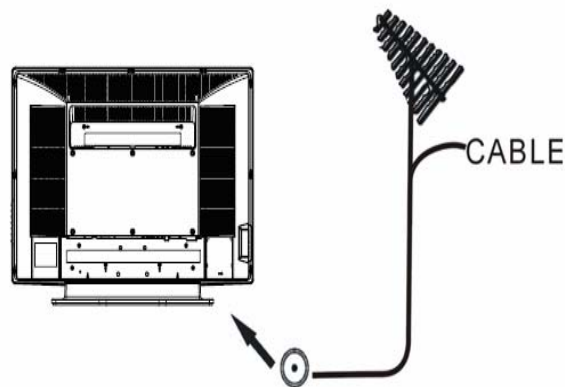
PREPARATION

1. Place the TV on a solid surface.



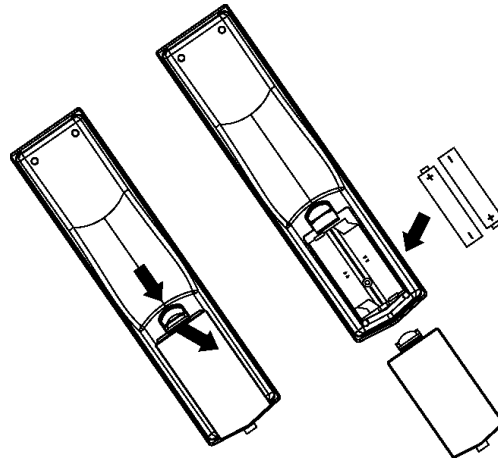
Ensure that the TV is placed in a position to allow free flow of air. Do not cover the ventilation openings on the back cover. To prevent any unsafe situations, no naked flame sources, such as lighted candles, should be placed on or in the vicinity. Avoid heat, direct sunlight and exposure to rain or water. The equipment shall not be exposed to dripping or splashing.

2. Insert the aerial plug firmly into the aerial socket **ANT IN 75Ω** at the back of the TV.



3. Remote control:

Remove the cover of the battery compartment. Insert the 2 batteries supplied (Type AA 1.5V).



4. Power:

Insert the power cord in the wall socket having an AC power supply .

5. Turn the TV on:

Press the power button of the TV to turn it on. When the TV is ON, the indicator turns green.

If the TV is in power off, the indicator in front of the TV illuminates amber.

OPERATING INSTRUCTIONS

USE OF THE REMOTE CONTROL

POWER:

Press to turn on/off the TV. The TV is never completely powered off unless it is physically unplugged.

VIDEO

Press this key you could select AV1, S-VIDEO, HDTV and HDMI.

SCART

Press this key you could select SCART 1, SCART2 and SCART2-S.

0~9 DIGIT BUTTONS

To select a TV channel.

SUBPAGE

Teletext Sub-page function.

Source

Select your input source from list, according to where you connected your external source.

SOUND

To select Mono/ Stereo/Dual from TV RF input.

DTV MENU

Press this key to display DTV menu.

Zoom +,-.

Press these key to select desired picture format. (4:3, CINERAMA, 16:9)

VOL

Press + or - to increase or decrease the volume.

MENU

Press this key to display main menu.



DISPLAY

Press this key to display:
(1) the channel number when watching a TV program.
(2) the input source when watching an AV program.

MUTE

Temporarily interrupt the sound or restore it.

PC

Display PC mode

TV

Display TV mode

PRE-CH

To display the previously selected TV channel.

EPG

Press this key to display electronic program guide screen in DTV mode.

SLEEP

With this key you can set a time period after which the TV should switch itself to standby. Press the key repeatedly to select the number of minutes. The counter runs from 15, 30, 45, 60, 90, 120 minutes. The timer begins to count down from the number of minutes selected after the display has disappeared.

CH

Press **▲** or **▼** (or **MENU ▲/▼** button) buttons to scroll through the channels.

EXIT

Press this key to exit main menu.

< > button

Use this button to confirm selection or adjust the desired parameter.

▲ ▼ button

When in menu mode, use this button to select to the up/down.

OK

Press this KEY to validate your selected.

TELETEXT

Teletext is an information service organized like a magazine, which is provided by some TV stations in addition to regular television broadcasting.



TELETEXT

Press **TELETEXT**. The Teletext screen appears. To turn off the Teletext mode, press **TELETEXT** again.

MIX

Press **MIX** to superimpose the teletext over a normal broadcast picture. Press again to return to Teletext mode.

SIZE

Press **SIZE** repeatedly to display the upper teletext part, the lower teletext part and then to return to the normal.

RED / GREEN / YELLOW / BLUE

Use the **COLOURED BUTTONS** to operate the Teletext screen.

i INFO

Press **i-INFO** to show DTV information.

INDEX

Press **INDEX** to return to the main index page.

SUBTITLE

Press to select the next page marked as a subtitle page and request it as the display page.

HOLD

Press **HOLD** to hold the Teletext page when viewing information. Press again to return to automatic page update.

REVEAL

Press **REVEAL** to display reveal hidden words e.g. quiz page answers. Press again to hide.

PAGE SELECTION

Page can be selected in two ways.

- Press **▼** or **▲** to increase or decrease the page number by one.
- By entering the page number, using digit buttons 0~9.

SUBPAGE ACCESS

When Teletext information exceeds more than one page, press **SUBPAGE** first then select the required page number using digit buttons 0~9.

To use the menus

1. Press the **MENU** button to display or close main menu.
2. Use the cursor up/down to select a menu item.
3. Use the cursor left/right to enter a submenu or enable/disable the function.
4. Press the **MENU** button to exit the menu.

MAIN MENU

Press the **MENU** button to enter the main OSD (On Screen Display). Adjust the items including Picture Setup, Sound setup, Options Setup, Installation Setup(TV setup) and PC Setup(only in pc mode).

Picture Setup:



Preset : choose between Standard, Mild, Personal
Personal gives access to following adjustments.

Contrast, Brightness, Colour, and Sharpness : adjust these settings as required using the < / > buttons.

Tint : This option is only available for NTSC audio-visual sources.

Reset : Return to default settings.Press OK button to return to default settings.

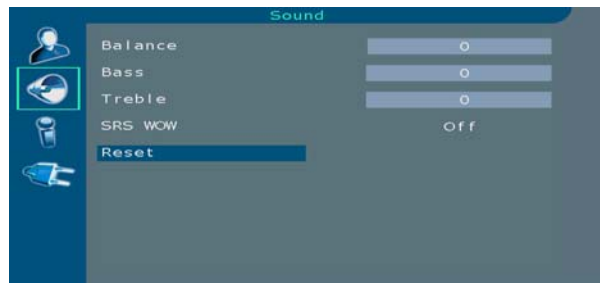
Press the MENU button to exit the Picture menu.

Note : this menu is removed automatically after a few seconds without using the remote control.



When you adjust a menu option (Contrast for example), the menu is replaced by a sub-menu as illustrated.Press the OK button to return to the Picture menu.

Sound Setup :



Balance : adjust the balance between left / right channels as required using the < / > button.

Bass : adjust the bass level as required using the < / > button.

Treble : adjust the treble level as required using the < / > button.

SRS WOW : Using < / >, activate(On) or deactivate(Off) SRS function.
SRS is an audio technology which improve the sound quality.

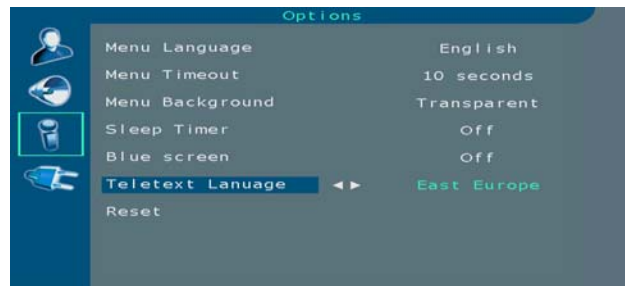
Reset : Return to default settings. Press OK button to return to default settings.

Press the MENU button to exit the Sound menu.

Note : this menu is removed automatically after a few seconds without using the remote control.

SRS WOW, SRS and (0) are registered trademarks of SRS Labs, Inc.
This product is designed using SRS technology with permission from SRS Labs, Inc.

Options Setup:



This menu allows to select the language for the menus as well as the colour of the screen when there is no video input. It allows also to set an automatic shut-off time.

Menu Language : To select the language for the menus.

Menu Timeout : To set an automatic shut-off time for Menu. Using < / > buttons select 5>10>20>30>40>50 seconds.

Menu Background : Select Opaque or Transparent type.

Sleep Timer : To set an automatic shut-off time. Using < / > buttons select Off >15>30>45>60>90>120 minutes.

Once the time is ended, TV set automatic switch on standby mode.

If you turn the TV on standby mode after setting the sleep timer, setting will be erased. Set it again.

Bule screen : To have a blue screen when there is no video input or when the RF signal is very bad.

Using < / > buttons select On.

Select Off if you do not want the blue screen.

Teletext Language : Using < / > buttons, select the character set that will be used for Teletext on this channel.

The character set determines how characters are displayed on Teletext screen.

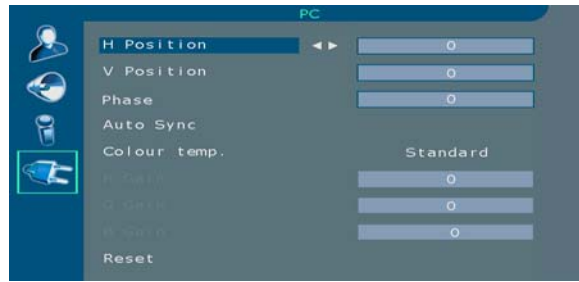
Reset : Return to default settings. Press the OK button to return to default settings.

Press the MENU button to exit the Options menu.

Note : this menu is removed automatically after a few seconds without using the remote control.

PC Setup :

In PC Setup, main menu is different from the one in TV Installation Setup(TV setup). Please select PC as main input.



H Position : use the < / > buttons to move the picture horizontally on the screen.

V Position : use the < / > buttons to move the picture vertically on the screen.

Phase : use the < / > buttons to move the picture phase on the screen.

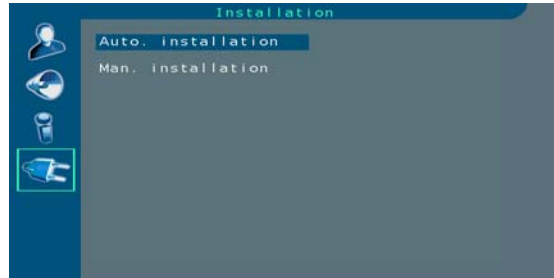
Auto Sync : this function is used to automatically adjust the VGA input. Press the < / > buttons to start the adjustment process.

Colour temp. : to select the colour temperature at your convenience.

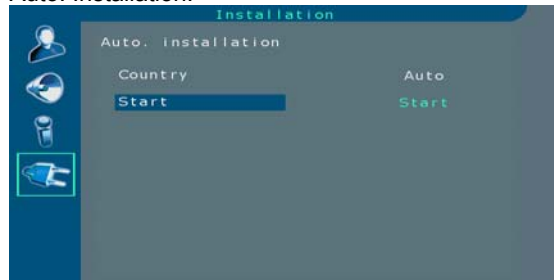
Reset : Return to default settings. Press the OK button to return to default settings.

Installation Setup :

Installation Setup involves selecting all the settings required to be able to search for and store all the channels you can receive. Make sure that the television is switched on and follow all the steps in turn specified on this page.

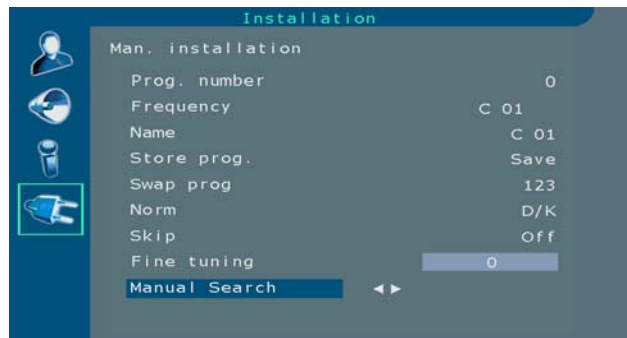


Auto. Installation : Select Auto. Installation. Press OK button to display the Auto. Installation.



Country : Select the relevant country using the < / > buttons. This is the country you are in, or the country whose channels you want to receive if you live near its borders. If you do not find your country , select Auto.

Start : Press the OK button to start channels searching.



Select Man. Installation using the V button.
 Press the OK button to display the Manual. Installation menu.
 Use the ^ / V buttons to select each option.

Prog. Number : Allow to select the program on which you want save a new channel or a program you want to modify.
 Using the < / > buttons, select the program.

Frequency : Allows to enter a specific frequency for tuning.
 Using the V button, select the Frequency option and press the OK button. Using the 0-9 digit and the < / > buttons, enter desire frequency and press the OK button.

Name : Allows to edit the channel name.
 Using the V button, select the Name option.
 Using the > botton select the first letter field.
 By pressing the 0-9 digit repeatedly and using the following table select the first character.

Repeat the procedure for each letter field.
 Press the OK button to confirm.

BUTTON	AVAILABLE CHARACTERS				
1	1	Space	—	•	!
2	2	A	B	C	@
3	3	D	E	F	#
4	4	G	H	I	\$
5	5	J	K	L	%
6	6	M	N	O	^
7	7	P	Q	R	&
8	8	S	T	U	V
9	9	W	X	Y	Z
0	0	*	#	()

Store prog. : Allows to Save a channel on a new Program No, to Insert a channel on an already existing Program No(the channel previously saved on this program no will be shifted to the upper program no) or to Delete the Program No.

Once a channel has been found and named, use the V button to select the Store prog. option.

Using the < / > buttons, select Save, Insert or Delete and press the OK button to confirm.

Swap prog : Allows to swap 2 programme numbers.

Using the ^ / V buttons select the Prog. number option.

Using the < / > buttons, select the program to be moved.

Using the V button, select the Swap prog option.

Using the > button, enter the swap function.

Using the 0-9 digit, enter the new programme number(3 digits).

Press the OK button to confirm, the programme numbers are swapped.

Norm : Allows to change the audio norm.

Using the V button, select the Norm option.

Using the < / > buttons, select the norm.

Note : the following norms are available to choose from : I for the UK and Ireland, L/LP for France and Luxembourg, D/K for Eastern Europe, the Middle East and Asia, B/G for Western Europe, Australia and New Zealand.

Skip : Allows to skip a channel.

Using the V button, select the Skip option.

Using the < / > buttons, select On, the channel will be skip.

Skip : Allows to skip next channel when it is on, and Using the < / > buttons, select store prog: ok.

Repeat this procedure to skip other channels.

Fine tuning : If the picture is not clear, you can adjust the setting.

Using the V button, select the Fine tuning option.

Using the < / > buttons to find the good tuning point.

Manual Search : Allows to launch a manual search.

Using the V button, select the Manual Search option.

Using the < / > buttons, start the search in decreasing or increasing order.

The search will stop at the first channel found.

If you wish to memorise the channel, select Store Program option using the ^ button and proceed as indicated in previous page. Otherwise, continue the search using < / > buttons.

INPUT SELECTION

To select TV/VIDEO source:



To select desire input source, press the SOURCE button to display the selection menu.

Using the ^ / V buttons to select each input sources.

Press the OK button to display the desire input source.

First-Time Installation

When the system is first switched on, the Reference Application attempts to configure itself for the first time. This is called "First Time Installation".

The user is then asked if they wish to perform an automatic tune for services. Automatic tuning functionality is described later in this document. When the automatic tune finishes and services have been found, the lowest number service is selected and a banner describing that service is shown. A user may have chosen not to perform an automatic tune or no services may have been found by an automatic scan. In this instance the user may use the "Main Menu" to automatically scan again or perform a manual scan. The Reference Application also provides the facility for the user to force to trigger a "First Time Installation". This facility can be found in the "Main Menu" under the "Installation" option.

Main Menu
Channel list
Favourites
Guides
Settings
Common Interface

A "Main Menu" is provided to enable the user to configure elements of the Reference Application. In "normal viewing" operation a user can access the "Main Menu" by pressing the "DTVMENU" key. The "Main Menu" is hierarchically organized into categories in order to fit on the screen.

Channel List

A user may configure the Reference Application to use exclusively TV, Radio or Data services, this feature is known as channel List Mode.

A user can select a channel List Mode using the configuration dialog; it is permitted to select a channel List Mode that contains no services.

When the channel list mode is enabled the program up and down buttons on the remote control will only select those services in the current channel List Mode. And all EPGs will only show those services in the current Channel List Mode. It is still possible to select a service using the services even if it is not a member of the currently selected channel List Mode. Note that if the user has selected a favourites list then the Channel List Mode acts as a filter on top of the selected favourites list.

Please press the **OK** button on your remote control to tune to the highlighted channel. Press **DTV MENU** to exit this screen.

Edit Favourites Lists

A favourites list enables the user to select a subset of services they consider favourite. The Reference Application allows the user to have up to five different favourites lists. Favourites lists are defined in the favourites dialog that can be accessed by selecting the favourites button on the channel list dialog and via the Main Menu.

Press the **OK** button on your remote control to add the channel to the highlighted favourites list. An icon indicates which favourites list a channel is in.

Guides
Now/Next EPG
List Schedule EPG
Time line schedule EPG

Now/Next EPG

An EPG dialog is provided that allows the user to view the current and next programme playing on each service.

In this dialog a list of channels and the corresponding current and next programmes is displayed. The user can navigate up and down the list of channels and highlight either the now or next programme. Information for the highlighted programmes can be displayed by pressing "Info". This information includes the start/end time of the programme, the programme genre in brackets, and a synopsis of the programme content.

A user may select a service by highlighting a program in the 'now' list and pressing the "**OK**" key.

Pressing the "**SUBTITLE**" key the user may select a genre to highlight events with the selected genre in the EPG.

The Now/Next Electronic Program Guide cannot be accessed if there are no services available.

List schedule EPG

User can set up Program schedule list

Time Line Schedule EPG

Extended Schedule EPG information is presented using a list format, either on a banner for the current service, or as a full screen dialog showing multiple services.

Settings
Configuration
Language
Installation

Configuration

Time Zone: Press **RIGHT/LEFT** to select the time zone you are in. Press **DTV MENU** to exit this screen. (Inc. GMT/CET)

DST: Press **RIGHT/LEFT** to select or deselect DST mode, Press **DTV MENU** to exit this screen.

Subtitle: Press **RIGHT/LEFT** to select subtitle on or Off, Press **DTV MENU** to exit this screen.

Banner: 2/4 seconds.

Favorite Mode: Press **RIGHT/LEFT** then select to choose favourite mode. Press **DTV MENU** to exit this screen. Please remember that at least one favourite channel be selected before turning favourites on.

Channel List: Press **RIGHT/LEFT** then select to choose channel list mode, you can select show all channel, TV only, Radio only and Text only, Press **DTV MENU** to exit this screen.

Parental Settings: Press **SELECT** to enter the parental lock menu. Press **DTV MENU** to exit this screen.

If you don't know how to use above function, you can select **i info** button in remote control for get information, press **i info** button again will exit.

Language Settings

System: To change the system languages, this changes the language used in all menus and dialogs.

Noted: Pan Europe system language include: English, German, French, Italian, Spanish, Danish, Norwegian, Swedish, Finish, Portuguese, Polish and Dutch. UK system language includes: English, Welsh and Gaelic.

Audio: Displays a dialog enabling the preferred language to be set, this is the language to be used for all channels if it is available.

Subtitle: Displays a dialog enabling the preferred language to be set, this is the language to be used for all channels if it is available.

Current: Displays a dialog enabling the current language to be set, this is the

language to be used for the current selected channel, please note that only languages available with the currently selected channel will be displayed.

Installation
Automatic Search
Manual Search
First Time Installation

Automatic Search

Automatic search is the ability for the reference application to scan each other (Frequency) for services.

Whilst performing an automatic tune no service will be selected. A dialog is displayed during automatic tuning that shows the progress of the scan through the channels.

The user may cancel automatic tuning. If the previous list already stored, the lowest number from the service list, it will return to "normal viewing" operation.

The Reference Application can support up to 70 services at any one time.

When you select Automatic search, press **OK** button in remote control, and will start to automatic search.

Do you want to start automatic search? Your Previous channel list will be replaced.

Manual Search

Manual tuning:
Channel Number: <input type="text"/>
Signal Quality: Signal Level

Manual search allows the user to scan an individual channel (frequency) for services. The user can perform a manual tune by selecting an option on the "Main Menu". Whilst performing a manual tune no service will be selected. The user enters the channel number to be scanned; only those channels supported by the tuner may be entered.

The Manual tuning dialog displays a bar indicating the quality and strength of the signal of the currently selected channel. The user can then choose to scan the selected channel for services; a separate dialog is displayed showing the service found whilst scanning is taking place. Newly discovered services are merged with the current list of services. The user may cancel manual tuning; in such cases any newly discovered services are disregarded.

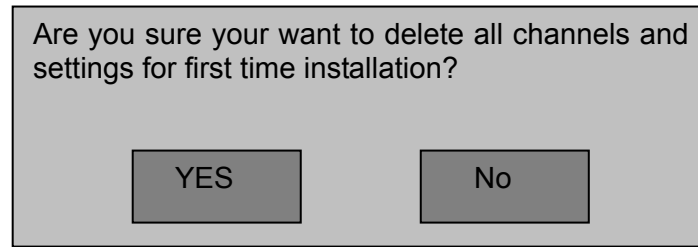
When a manual tune is complete the application will attempt to select the previously selected service and return to "normal viewing" operation. In cases where there was not a previously selected service the application will attempt to select the service with the lowest number.

The Reference Application can support up to 70 services at any one time.

Press **0** to **9** to select a channel number; select to start searching for channels, **DTV MENU** to exit this screen.

First time installation

Choose this will return to the original condition, you can choose country as first time in installation. And search channel again. When you select it, you will see as following:



Are you sure your want to delete all channels and settings for first time installation?

YES No

Common Interface

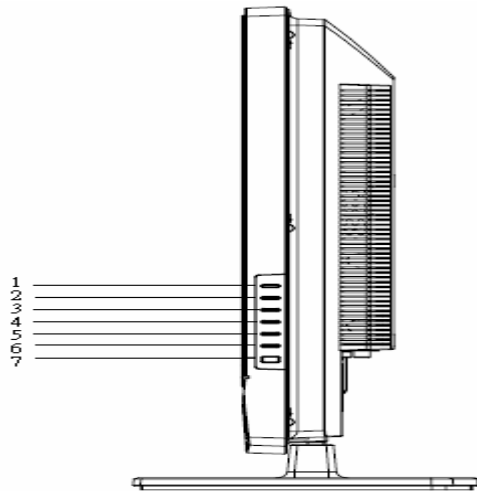
If no CA module is inserted, then the system display "No common interface mode detected".

If a CA module without a smartcard is inserted. Then the system displays "Please insert your smartcard."

If a CA module with a smartcard is inserted. Then the CI menu is displayed. Using this menu. The user can read the smartcard contents. The data shown depends on CA vendor and CA smartcard version.

CONNECT PERIPHERAL EQUIPMENT

CONTROL KNOBS

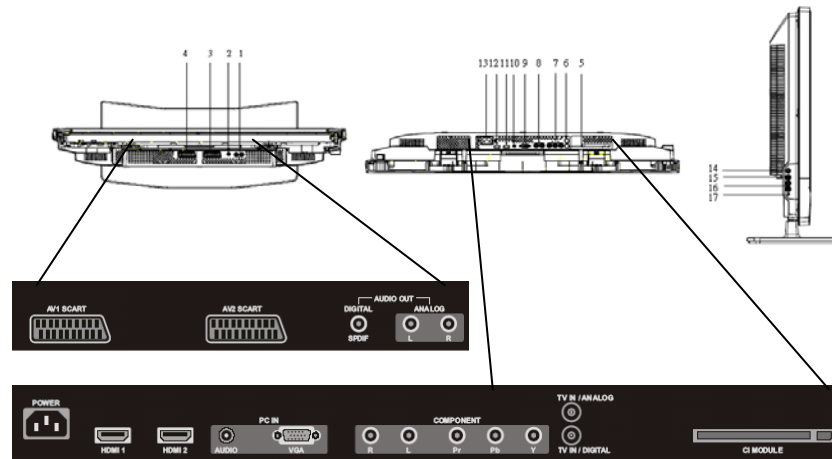


- 1,2: + / - Key** : Press to confirm your function selection and adjustment.
- 3,4: Up / Down Key** : Press to perform select function and channel.
- 5: MENU Key** : Press to show the OSD menu and exit OSD menu.
- 6: Source Key** : Press to select your input source.
- 7: Power Key** : Press to turn on or off the TV.

There is a wide range of video and audio equipment that can be connected to your TV. The following connection diagrams show you how to connect them.

PREPARATION

Lay the LCD TV with the screen down on a table, as it will be easier to connect your peripheral equipment. Please take your precautions not to damage the screen.



- 1: Audio output
- 2: SPDIF output
- 3: SCART2(CVBS)/SCART2-S
- 4: SCART1(RGB/CVBS)
- 5:DTV
- 6:ATV
- 7: Component video(HDTV)
- 8: Component Audio
- 9: VGA
- 10: VGA Audio input
- 11: HDMI2
- 12: HDMI1
- 13: AC power
- 14:S-Video
- 15:AV1(CVBS)
- 16:AV1/S-video Audio output
- 17:HEADPHONE

VIDEO RECORDER

How to connect

1. Connect the antenna cable to the RF IN port of your VCR.
2. Connect another FR cable from the port of your VCR to the antenna port of you ATV set. If you have connected the video/audio cable to the video AV port, you may have better sound and picture when playing the VCR .

If your VCR has an S-VHS video jack:

For improved picture quality, connect a S-Video cable with the S-Video input on the ATV.

S-Video does not provide audio, audio cables must still be connected to provide sound(AV and S terminal share one audio input).

Watching VCR

1. If you use connection ATV, select the TV channel auto search.
2. If you use connection AV, select video AV1 input.
3. Insert videotape in the VCR and press the PLAY button.

SCART CONNECTION

How to connect

1. The SCART socket can be connected a VCR, a camcorder, a DVD player, a satellite receiver, a decoder or a game console form SCART cable.
2. The 21pin SCART socket can also be used as an output to Audio/Video equipment.

How to use

Scart source has the first priority. For example: when playing under other sources such as TV/AV/S-Video/VGA, if we input the scart signal, the TV will switch to Scart menu automatically.

CAMERA CAMCORDER VIDEO GAME SET

How to connect

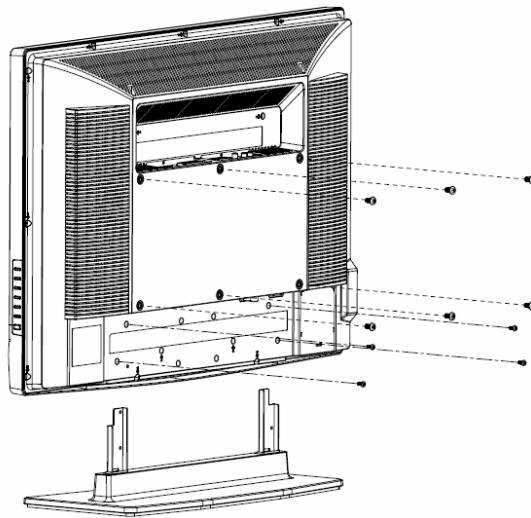
1. Connect the camera, camcorder and game set to the ports of the audio/video set.
2. The camcorder may get better picture by connecting a S-VHS cable between the S terminal and the Audio set.

How to use it

1. Select the video AV or S terminal input.
2. Enable the exterior AV equipment.

Warning: In case you notice scrolling images, wrong colors or no color, no picture or even combinations of these, on your screen, check if the connections are done in the right way. Check if the cable colors match with the Input connector colors.

WALL MOUNT



Use of Wall Mount Bracket:

1. Remove the hinger cover.
2. Remove the four units M4.0 screws.
3. Remove the base ass'y.
4. Fasten four units M4.0 X 10mm screws to secure the wall mount bracket.

HEADPHONE

1. The headphone jack is located at the side of the TV.
2. The MUTE key on the remote control works on both internal speaker and the headphone.
3. Use volume key to adjust the volume.

TIPS

Care of the screen

Do not rub or strike the screen with anything hard as this may scratch, mar, or damage the screen permanently.

Unplug the power socket before cleaning the screen. Dust the TV by wiping the screen and the cabinet with a soft, clean cloth. If the screen requires additional cleaning, use a clean, damp cloth. Do not use liquid cleaners or aerosol cleaners.

Mobile telephone warning

To avoid disturbances in picture and sound, malfunctioning of your TV or even damage to the TV, keep away your mobile telephone from the TV.

End of life directives

We are paying a lot of attention to produce environmentally friendly in green focal areas. Your new receiver contains materials which can be recycled and reused.

At the end of its life specialized companies can dismantle the discarded receiver to concentrate the reusable materials and to minimize the amount of materials to be disposed of.

Please ensure you dispose of your old receiver according to local regulations.

BEFORE CALLING SERVICE

Please make these simple checks before calling service. These tips may save you time and money since charges for receiver installation and adjustments of customer controls are not covered under your warranty.

Symptoms	Items to Check and Actions to follow
" Ghost " or double image	*This may be caused by obstruction to the antenna due to high rise buildings or hills. Using a highly directional antenna may improve the picture.
No power	*Check that the TV's AC power cord is plugged into the mains socket. *Unplug the TV, wait for 60 seconds. Then re-insert plug into the mains socket and turn on the TV again.
No picture	*Check antenna connections at the rear of the TV to see if it is properly connected to the TV. *possible broadcast station trouble. Try another channel. *Adjust the contrast and brightness settings. *Check the Closed Captions control. Some TEXT modes could block the screen.
Good picture but no sound	*Increase the VOLUME. *Check that the TV is not muted; press the button on the remote control.
Good sound but poor color	*Adjust the contrast, color and brightness settings.
Poor picture	*Sometimes, poor picture quality occurs when having activated an S-VHS camera or camcorder connected and having connected another peripheral at the same time. In this case switch off one of the other peripherals
Snowy picture and noise	*Check the antenna connection
Horizontal dotted line	*This may be caused by electrical interference (e.g. hairdryer, nearby neon lights, etc.) *Turn off the equipment.
Television not responding to remote control	*Check whether the batteries are working. Replace if necessary *Clean the remote control sensor lens on the TV. *You can still use the buttons at the front of your TV. *Select the TV mode to be sure your remote control is in the TV mode. *Remove plug from mains for 5 seconds then replug to power on again.

GLOSSARY

Audio / Video Inputs

Located on the rear and the front of the receiver these connectors (RCA phono type plug) are used for the input of audio and video signals. Designed for use with VCRs (or other accessories) in order to receive higher picture resolution and offer sound connection options.

S-Video Input

Allows direct connection of high-resolution video sources, such as a Super VHS videocassette recorder, Laser Disc player, etc. Provides improved picture resolution, sharpness, and clarity.

Menu

An on-screen listing of feature controls shown on the TV screen that are made available for user adjustments.

Programming

The procedure of adding or deleting channel numbers into the TV's memory. In this way the TV 'remembers' only the locally available or desired channel numbers and skips over any unwanted channel numbers.

SRS

SRS audio solutions provide greater listening enjoyment for compressed Internet radio or clear speech that enhances the users experience and overall satisfaction.

RF

Radio Frequency or modulated signal design used as the carrier for television broadcasts.

Sleep Timer

Function with which you can set a time period after which the TV should turn itself off.

Product Specification

Feature	26"/32"/37"/42" Wide screen Built-in Full channel Tuner(DTV, Analog) with DVB-T, Nicam, Teletext. Graphic (D-SUB) HDMI
---------	---

Items		Specification			
LCD Panel	Screen Size	26" TFT-LCD Panel	32" TFT-LCD Panel	37" TFT-LCD Panel	42" TFT-LCD Panel
	Aspect Ratio	16:9	16:9	16:9	16:9
	Resolution	1366×768 (WXGA)	1366×768 (WXGA)	1366×768 (WXGA)	1366×768 (WXGA)
	Contrast Ratio	1200:1	1200:1	1200:1	1500:1
	Brightness	500cd / □	500cd / □	500cd / □	500cd / □
	Response Time	8ms (Grey to Grey)	8ms (Grey to Grey)	8ms (Grey to Grey)	8ms (Grey to Grey)
	Lamp Type/Life	60000 hr	60000 hr	60000 hr	60000 hr
	Color Temperature	6500/9300 Kelvin degree	6500/9300 Kelvin degree	6500/9300 Kelvin degree	6500/9300 Kelvin degree
TV Function	TV Tuning System	Analog	PAL B/K,DK,I and L/L' (Multi-Europe) Full Channel with Electronic PLL Tuner		
		Digital	COFDM Band Width: 7/8 MHz Format: MP @ ML Aspect ratio: 4:3, 16:9 Picture Resolution: 720× 576i		
	Sound System	Analog	Nicam / A2		
		Digital	MPEG(I & II) Sample rate:32/44.1/48KHz Mode: Mono, Stereo, Dual		
	Teletext	Yes (250 Pages)			
	Color systems	PAL / SECAM			
PC Input	Signal Input	D-SUB			
	PnP compatibility	DDC2B			
	Input frequency	FH: 31.5KHz to 48KHz FV: 56Hz to 75Hz			
	Recommended	1024 x 768 @ 60Hz, (up to 1280 x 768 @ 60Hz)			
	Input Audio	Headphone Mini-jack for stereo (3.5ø)			

Items		Specification			
Audio Output	Audio Output: L / R	Speaker (built-in): 10W□10W	Speaker (built-in): 10W□10W	Speaker (built-in): 15W□15W	Speaker (built-in): 15W□15W
		Headphone Mini-jack for stereo (3.5φ)			
		Line Output (RCA L/R)			
		DTV S/PDIF(RCA COAXIAL)			
OSD language		English, Germany, Italian, French, Spain, Portuguese			
Table Stand		Included			
Wall Mount		Yes			
Power	Power Supply	AC100V~240V, 50/60Hz			
	Power Consumption	< 120W	< 150W	< 170W	< 250W
Panel Tilt	Forwards/Backwards/Rotation	None	None	None	None
Dimension	W x H x D (with stand)	674.9mm	805.9mm	928.90mm	1049.9mm
		527.95mm	604.95mm	681.45mm	709.89mm
Weight (net)	Kg (w/o Accessories)	11kg	14kg	18.90KG	24kg
Accessories		Remote controller, Batteries (x2), AC Power cord, Operation manual			
Video Inputs	SCART1	21 Pin SCART (RGB & CVBS) ×1, (S-Video or CVBS) ×1			
	SCART2				
	HDTV	Y Pb Pr×1 Audio L/R ×1			
	AV/SV(Side)	CVBS (Composite) ×1 S-Video ×1 Audio L/R ×1			
	HDMI1	HDMI x 1 (Audio/Video with HDCP)			
	HDMI2	HDMI x 1 (Audio/Video with HDCP)			