

DTC	P1600	ECM BATT Malfunction
------------	--------------	-----------------------------

CIRCUIT DESCRIPTION

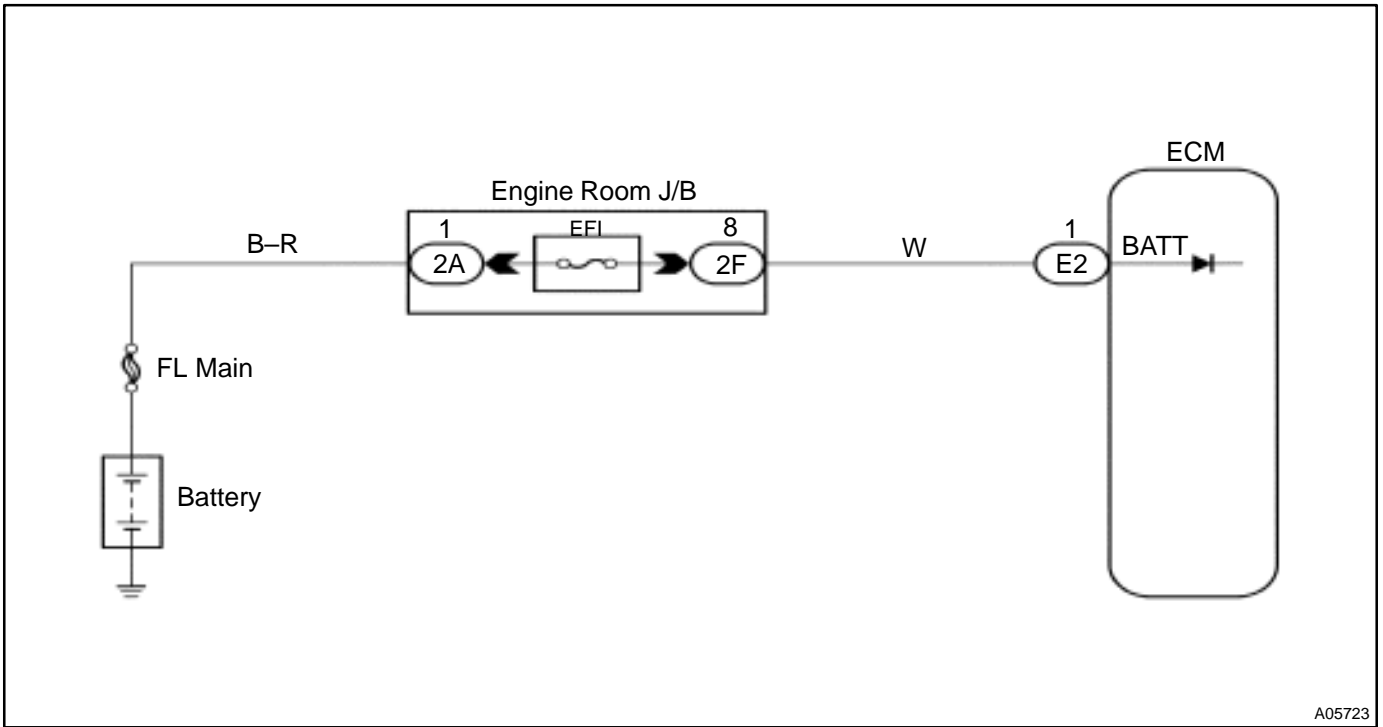
Battery positive voltage is supplied to terminal BATT of the ECM even when the ignition switch is OFF for use by the DTC memory and air-fuel ratio adaptive control value memory, etc.

DTC No.	DTC Detecting Condition	Trouble Area
P1600	Open in back up power source circuit	<ul style="list-style-type: none"> • Open in back up power source circuit • ECM

HINT:

If DTC P1600 appear, the ECM does not store another DTC.

WIRING DIAGRAM

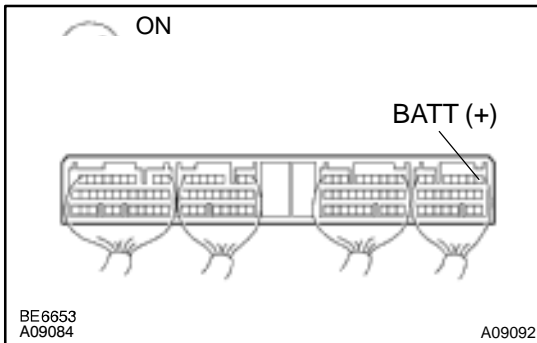


INSPECTION PROCEDURE

HINT:

Read freeze frame data using TOYOTA hand-held tester or OBD II scan tool. Because freeze frame records the engine conditions when the malfunction is detected, when troubleshooting it is useful for determining whether the vehicle was running or stopped, the engine warmed up or not, the air-fuel ratio lean or rich, etc. at the time of the malfunction.

1 Check voltage between terminal BATT of ECM connector and body ground.

**PREPARATION:**

Remove the ECM cover.

CHECK:

Measure voltage between terminal BATT of the ECM connector and body ground.

OK:

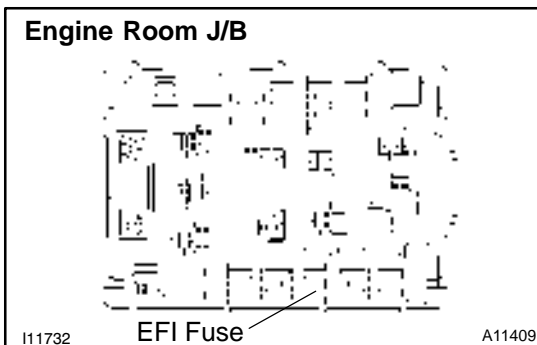
Voltage 9 – 14 V

OK

Check and replace ECM (See page IN-30).

NG

2 Check EFI fuse.

**PREPARATION:**

Remove the EFI fuse from the engine room J/B.

CHECK:

Check continuity of EFI fuse.

OK:

Continuity

NG

Check for short in all the harness and components connected to EFI fuse.

OK

Check and repair harness or connector between battery and EFI fuse and ECM (See page IN-30).