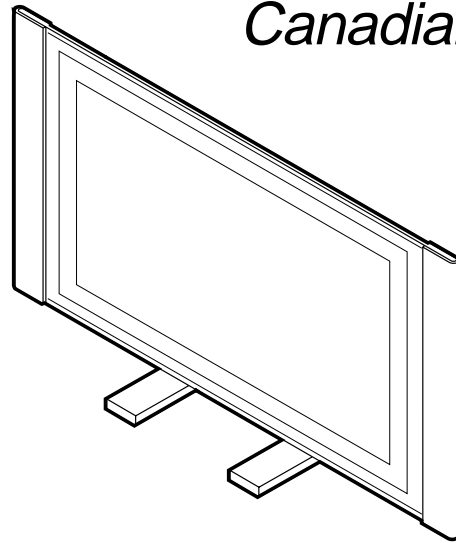
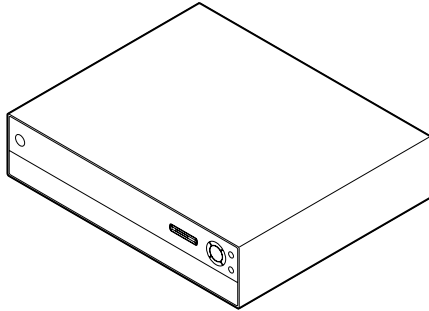


KE-50XBR900

SERVICE MANUAL

US Model
Canadian Model



SPECIFICATIONS

Panel System	Plasma Display panel	
Display resolution	Display resolution: 1365 pixels (horizontal) × 768 pixels (vertical)	
Antenna	75 ohm external terminal for VHF/UHF	
Television System	NTSC, American TV Standard	
Channel Coverage	VHF	2-13
	UHF	14-69
	CATV	1-125
Power Requirements	120V, 60 Hz	
Inputs/Outputs		
DVI-HDTV	1 terminal, 3.3V T.M.D.S., 50 ohms The DVI-HDTV input terminal is compliant with the EIA-861 standard and is not intended for use with personal computers.	
Video (IN)	3 total (1 on front panel)	1 Vp-p, 75 ohms unbalanced, sync negative
S Video (IN)	3 total (1 on front panel)	Y: 1 Vp-p, 75 ohms unbalanced, sync negative C: 0.286 Vp-p (Burst signal), 75 ohms
Audio (IN)	6 total (1 on front panel)	500 mVrms (100% modulation) Impedance: 47 kilohm
Component Video Input	2 (Y, Pb, Pr)	Y: 1.0 Vp-p, 75 ohms unbalanced, sync negative; Pb: 0.7 Vp-p, 75 ohms Pr: 0.7 Vp-p, 75 ohms
CONTROL S (OUT)	1	
Variable/Fixed Audio (OUT)	1	More than 408 m Vrms at the maximum volume setting (Variable) More than 408 mVrms (Fixed) Impedance (output): 2 kilohms
Monitor/Fixed Audio (OUT)	×1	

FLAT PANEL COLOR TV
SONY[®]

Sub woofer (OUT)	1	phono jack
RF Input	2	
Converte	1	
Supplied Accessories	Remote Control	RM-927Y
	AAA (LR03) Batteries	2 supplied for remote control
Screen Size (measured diagonally)	KE-50XBR900	50 inches
Speaker Output	15W ×2	
Dimensions (W × H × D)	PDM-5000	1573 × 856 × 108 mm (62 1/8 × 33 3/4 × 4 3/8 in)
	MBT-XBR900	430 × 105 × 360 mm (17 × 4 1/4 × 14 1/4 in)
Mass	Display unit PDM-5000: 53kg (114 lbs)	
	Media receiver unit MBT-XBR900: 7.5kg (16 lbs)	
Power Consumption	In Use	Display unit PDM-5000: 480 W
		Media receiver unit MBT-XBR900: 36 W
	In Standby	Under 1.5 W

Design and specifications are subject to change without notice.

SAFETY CHECK-OUT

After correcting the original service problem, perform the following safety checks before releasing the set to the customer:

1. Check the area of your repair for unsoldered or poorly-soldered connections. Check the entire board surface for solder splashes and bridges.
2. Check the interboard wiring to ensure that no wires are “pinched” or contact high-wattage resistors.
3. Check that all control knobs, shields, covers, ground straps, and mounting hardware have been replaced. Be absolutely certain that you have replaced all the insulators.
4. Look for unauthorized replacement parts, particularly transistors, that were installed during a previous repair. Point them out to the customer and recommend their replacement.
5. Look for parts which, though functioning, show obvious signs of deterioration. Point them out to the customer and recommend their replacement.
6. Check the line cords for cracks and abrasion. Recommend the replacement of any such line cord to the customer.
7. Check the B+ and HV to see if they are specified values. Make sure your instruments are accurate; be suspicious of your HV meter if sets always have low HV.
8. Check the antenna terminals, metal trim, “metallized” knobs, screws, and all other exposed metal parts for AC Leakage. Check leakage as described right.

LEAKAGE TEST

The AC leakage from any exposed metal part to earth ground and from all exposed metal parts to any exposed metal part having a return to chassis, must not exceed 0.5 mA (500 microamperes).

Leakage current can be measured by any one of three methods.

1. A commercial leakage tester, such as the Simpson 229 or RCA WT-540A. Follow the manufacturers’ instructions to use these instruments.
2. A battery-operated AC milliammeter. The Data Precision 245 digital multimeter is suitable for this job.
3. Measuring the voltage drop across a resistor by means of a VOM or battery-operated AC voltmeter. The “limit” indication is 0.75 V, so analog meters must have an accurate low-voltage scale. The Simpson 250 and Sanwa SH-63Trd are examples of a passive VOMs that are suitable. Nearly all battery operated digital multimeters that have a 2 V AC range are suitable. (See Fig. A)

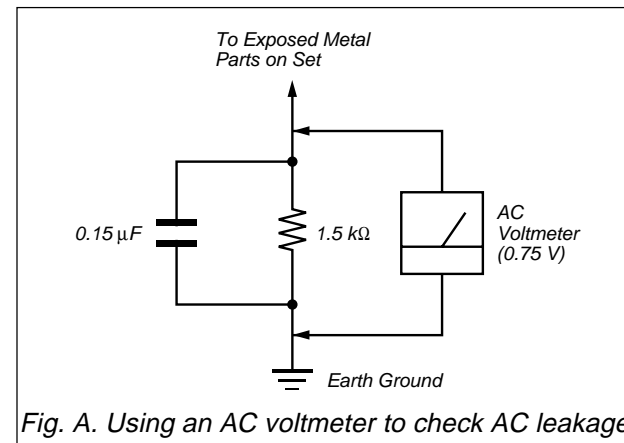



Fig. A. Using an AC voltmeter to check AC leakage.

WARNING!!

SAFETY-RELATED COMPONENT WARNING!!
COMPONENTS IDENTIFIED BY SHADING AND MARK  ON THE SCHEMATIC DIAGRAMS, EXPLODED VIEWS AND IN THE PARTS LIST ARE CRITICAL FOR SAFE OPERATION. REPLACE THESE COMPONENTS WITH SONY PARTS WHOSE PART NUMBERS APPEAR AS SHOWN IN THIS MANUAL OR IN SUPPLEMENTS PUBLISHED BY SONY. CIRCUIT ADJUSTMENTS THAT ARE CRITICAL FOR SAFE OPERATION ARE IDENTIFIED IN THIS MANUAL. FOLLOW THESE PROCEDURES WHENEVER CRITICAL COMPONENTS ARE REPLACED OR IMPROPER OPERATION IS SUSPECTED.

AVERTISSEMENT!!


ATTENTION AUX COMPOSANTS RELATIFS À LA SÉCURITÉ!!
LES COMPOSANTS IDENTIFIÉS PAR UNE TRAME ET UNE MARQUE  SONT CRITIQUES POUR LA SÉCURITÉ. NE LES REMPLACER QUE PAR UNE PIÈCE PORTANT LE NUMÉRO SPECIFIÉ. LES RÉGLAGES DE CIRCUIT DONT L'IMPORTANCE EST CRITIQUE POUR LA SÉCURITÉ DU FONCTIONNEMENT SONT IDENTIFIÉS DANS LE PRÉSENT MANUEL. SUIVRE CES PROCÉDURES LORS DE CHAQUE REMPLACEMENT DE COMPOSANTS CRITIQUES, OU LORSQU'UN MAUVAIS FONCTIONNEMENT EST SUSPECTÉ.

TABLE OF CONTENTS

<u>Section</u>	<u>Title</u>	<u>Page</u>	<u>Section</u>	<u>Title</u>	<u>Page</u>
1. EXPLODED VIEWS					
1-1.	Display Unit (PDM-5000)	1-2			
1-2.	Media Receiver Unit-1 (MBT-XBR900)	1-4			
1-3.	Media Receiver Unit-2 (MBT-XBR900)	1-6			
1-4.	Packing Materials for Display Unit (PDM-5000)	1-7			
1-5.	Packing Materials for Media Receiver Unit (MBT-XBR900)	1-8			
2.	ELECTRICAL PARTS LIST	2-1			

SECTION 1

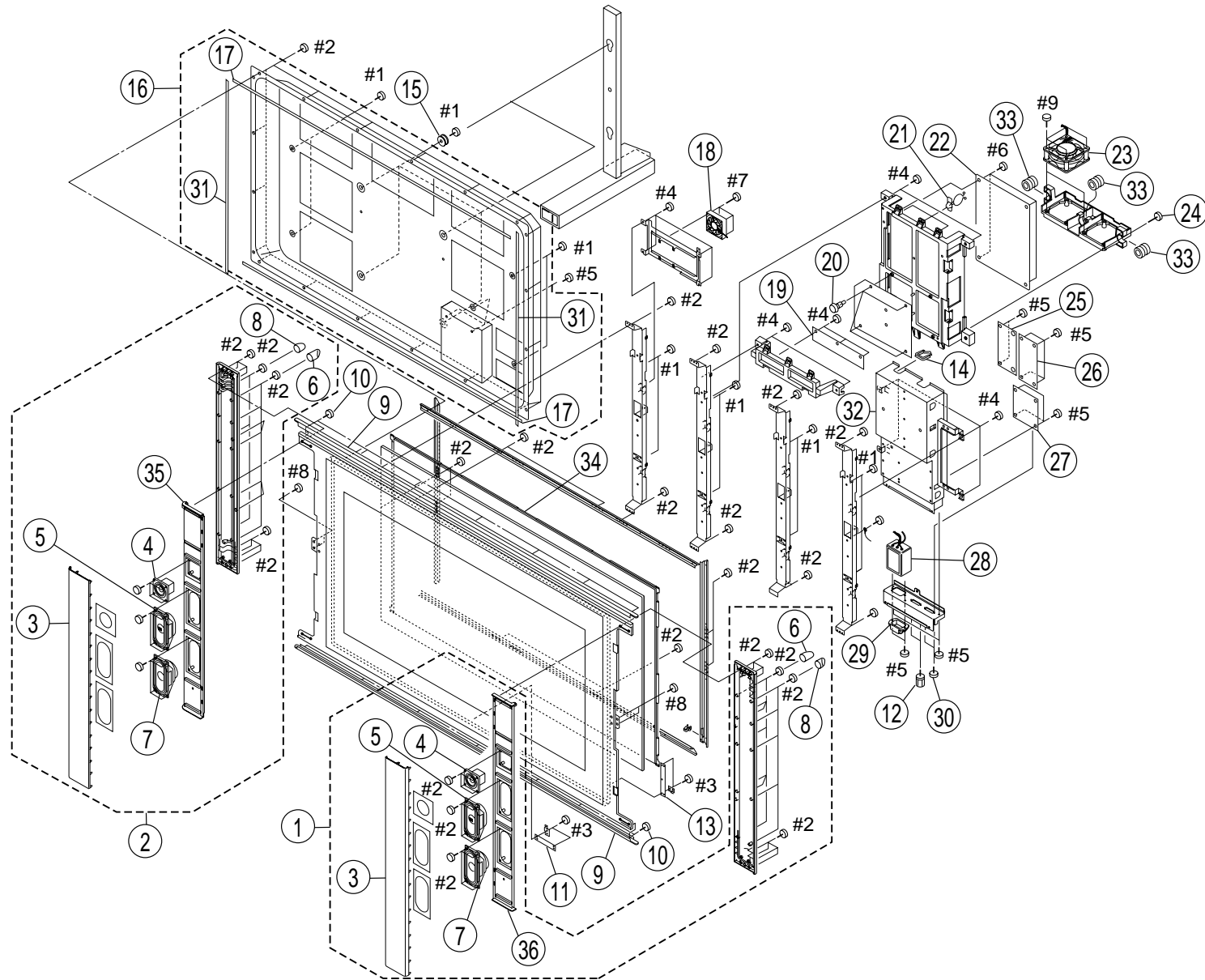
EXPLODED VIEWS

- Items with no part number and no description are not stocked because they are seldom required for routine service.
- The construction parts of an assembled part are indicated with a collation number in the remark column.
- Items marked " * " are not stocked since they are seldom required for routine service. Some delay should be anticipated when ordering these items.

The components identified \triangle marked are critical for safety.
Replace only with the part number specified.

Les composants identifiés par la marque \triangle sont critiques pour la sécurité.
Ne les remplacer que par une pièce portant le numéro spécifié.

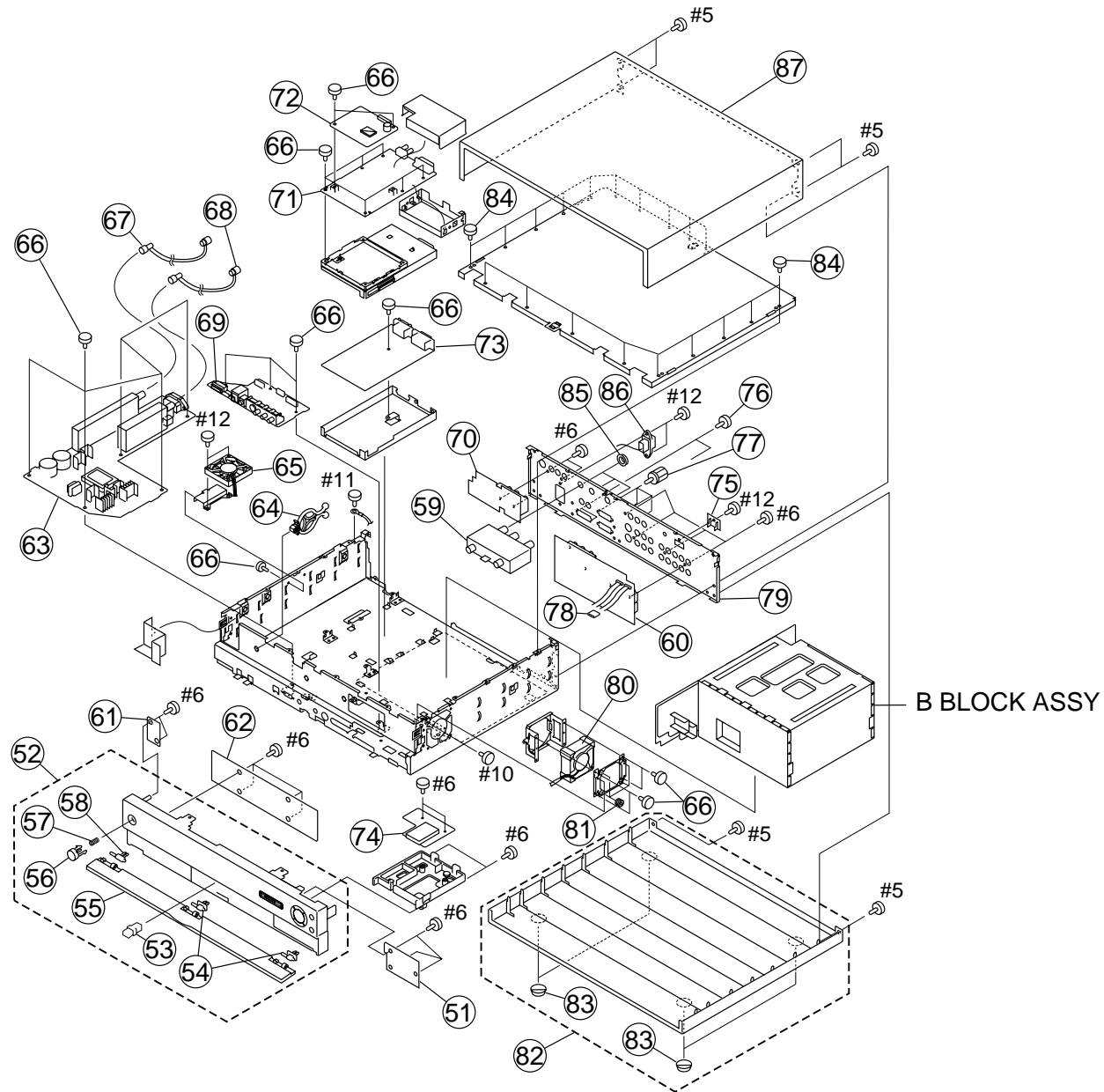
1-1. DISPLAY UNIT(PDM-5000)



REF.NO.	PART NO.	DESCRIPTION	REMARK
1	A-1603-818-D	SP (R) ASSY	3-8
2	A-1603-817-D	SP (L) ASSY	3-8
3	4-091-706-01	GRILLE, SP	
4	1-825-250-11	SPEAKER (5 CM)	
5	1-825-251-11	SPEAKER (13X6 CM)	
6	4-091-957-01	COVER (A), SCREW	
7	1-825-249-11	SPEAKER (13X6 CM)	
8	4-091-958-01	COVER (B), SCREW	
9	4-091-991-01	BAR	
10	4-091-675-01	SCREW, FIXED	
11	* A-1401-891-B	R2 BOARD, MOUNT	
12	4-635-966-01	SCREW (HEX)	
13	* A-1401-606-B	R1 BOARD, MOUNT	
14	2-433-598-01	HOLDER (LT-11U), WIRE	
15	4-091-681-01	HOOK	
16	* X-4041-100-1	COVER ASSY, REAR	17, 31
17	* 4-091-684-01	GASKET (ER)	
18	1-763-961-11	FAN, D.C	
19	* A-1401-892-A	F2 BOARD, MOUNT	
20	3-910-042-01	SPACER (A)	
21	4-035-160-01	PURSE LOCK (S) (DIA. 12)	
22	* A-1300-778-D	G BOARD, COMPLETE	
23	1-763-962-11	FAN, D.C	
24	4-314-843-02	SCREW, TAPPING, +4X12	
25	* A-1401-608-B	F BOARD, MOUNT	
26	* A-1401-609-B	K BOARD, MOUNT	
27	* A-1300-780-G	P BOARD, COMPLETE	
28	2-990-241-02	HOLDER (A), PLUG	
29	△ 1-417-336-11	AC INLET	
30	4-662-693-03	GRIP, M2.6 S HEAD(EG)	

REF.NO.	PART NO.	DESCRIPTION	REMARK
31	* 4-091-684-11	GASKET (ER)	
32	X-4040-983-1	BRACKET (50) ASSY, U	
33	4-374-745-11	CUSHION (A)	
34	* 1-805-056-11	PLASMA DISPLAY PANEL	
35	4-091-702-01	BOX (FL), SP	
36	4-091-703-01	BOX (FR), SP	
#1	7-682-973-49	+PSW 5X16	
#2	7-685-663-79	+BVTP 4X16, TYPE 2, IT-3	
#3	7-685-647-79	+BVTP 3X10, TYPE 2, IT-3	
#4	7-682-663-09	+PSW 4X12	
#5	7-682-948-09	+PSW 3X8	
#6	7-685-648-79	+BV 3X12, TYPE 2, IT-3	
#7	7-682-667-09	+PS 4X25	
#8	7-685-533-19	+BTTP 2.6X6	
#9	7-685-167-19	+PTP 4X35	

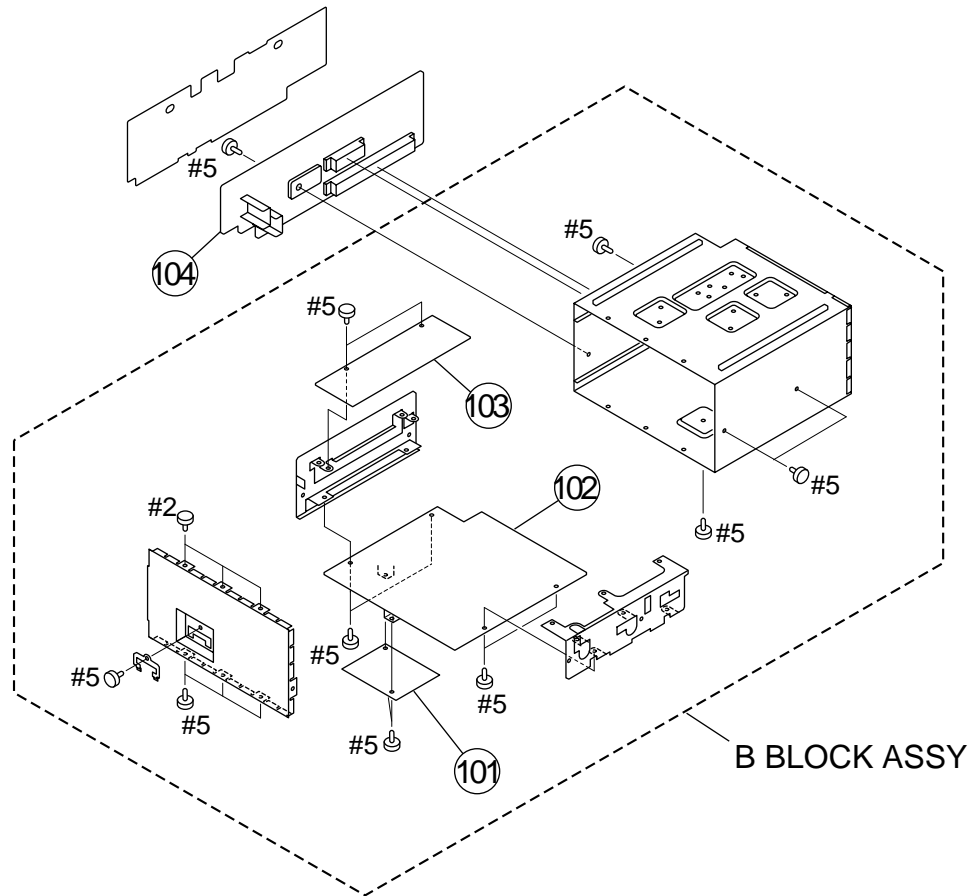
1-2. MEDIA RECEIVER UNIT-1(MBT-XBR900)



REF.NO.	PART NO.	DESCRIPTION	REMARK
51	* A-1401-937-A	H3 BOARD, MOUNT	
52	X-4040-969-1	PANEL ASSY, FRONT	53-58
53	4-042-192-21	CATCHER, PUSH	
54	3-703-035-11	SHAFT, DOOR	
55	X-4040-970-2	DOOR ASSY	
56	* 4-091-608-01	BUTTON, POWER	
57	4-036-405-01	SPRING, COMPRESSION	
58	4-045-250-51	DAMPER	
59	1-771-787-11	SWITCH, RF ANTENNA	
60	* A-1401-660-A	U1 BOARD, MOUNT	
61	* A-1401-938-A	H4 BOARD, MOUNT	
62	* A-1401-936-A	H1 BOARD, MOUNT	
63	* A-1300-807-B	A BOARD, MOUNT	
64	2-433-598-01	HOLDER (LT-11U), WIRE	
65	1-763-659-11	FAN, DC	
66	4-382-854-01	SCREW (M3X8), P, SW (+)	
67	* 1-555-110-00	P-P CABLE	
68	* 1-557-056-31	CABLE, P-P	
69	* A-1401-935-A	H2 BOARD, MOUNT	
70	* A-1401-661-A	U2 BOARD, MOUNT	
71	* A-1401-934-A	AD BOARD, MOUNT	
72	* A-1401-662-B	AU BOARD, MOUNT	
73	* A-1300-944-B	M BOARD, MOUNT	
74	* A-1401-751-A	MS2 BOARD, MOUNT	
75	4-087-363-01	COVER, CONNECTOR	
76	4-662-693-03	GRIP, M2.6 S HEAD (EG)	
77	4-635-966-01	SCREW (HEX)	
78	1-543-936-11	CORE (FPC)	
79	* 4-091-624-01	PANEL (UC), REAR	
80	1-763-962-11	FAN, D.C.	

REF.NO.	PART NO.	DESCRIPTION	REMARK
81	3-074-851-01	DAMPER (FAN 25)	
82	X-4040-972-1	COVER ASSY, BOTTOM	83
83	3-078-830-01	FOOT	
84	4-670-040-01	SCREW	
85	3-682-691-00	NUT, WASHER HEXAGON	
86	1-580-375-51	INLET 3P	
87	* X-4041-313-1	ASSY, COVER TOP	
#5	7-682-948-09	SCREW +PSW 3X8	
#6	7-685-648-79	SCREW +BVTP 3X12 TYPE2 IT-3	
#10	7-682-149-04	SCREW +P 3X10	
#11	7-682-961-01	SCREW +PSW 4X8	
#12	7-682-951-01	SCREW +PSW 3X14	

1-3. MEDIA RECEIVER UNIT-2(MBT-XBR900)

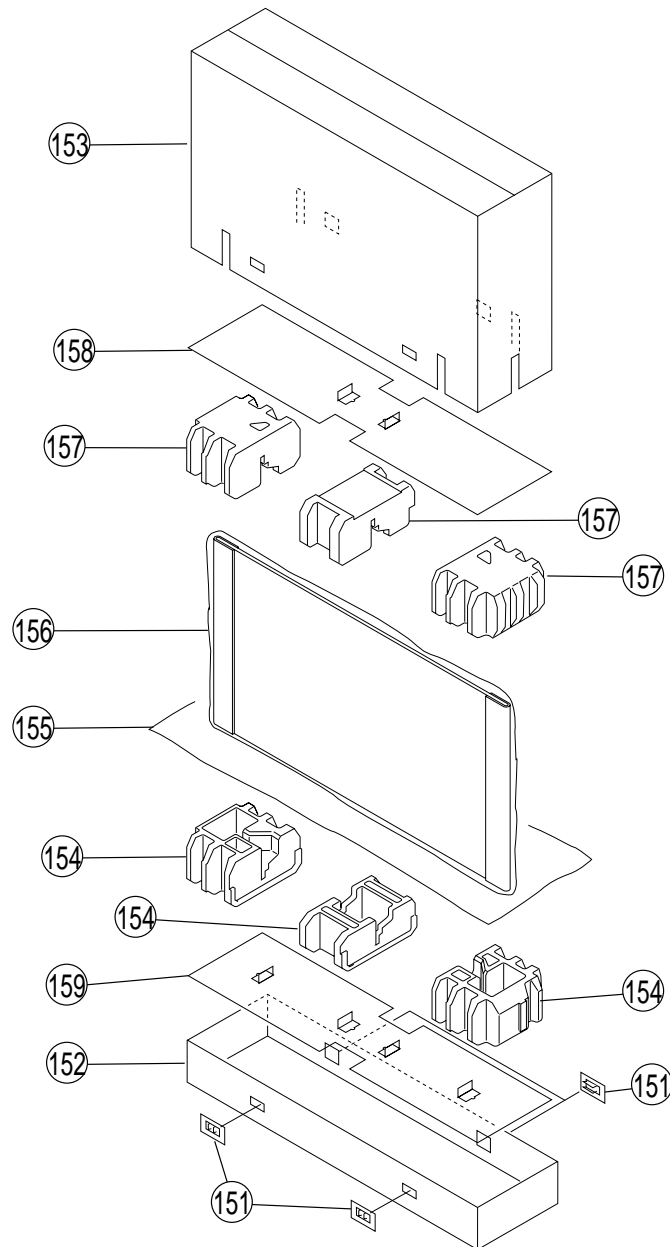


REF.NO.	PART NO.	DESCRIPTION	REMARK
---------	----------	-------------	--------

101	* A-1300-834-C	BM1C BOARD, MOUNT	
102	* A-1300-806-A	DICA BOARD, MOUNT	
103	* A-1401-663-A	DP BOARD, MOUNT	
104	* A-1401-669-B	IFA BOARD, MOUNT	

#5	7-682-948-09	SCREW +PSW 3X8	
----	--------------	----------------	--

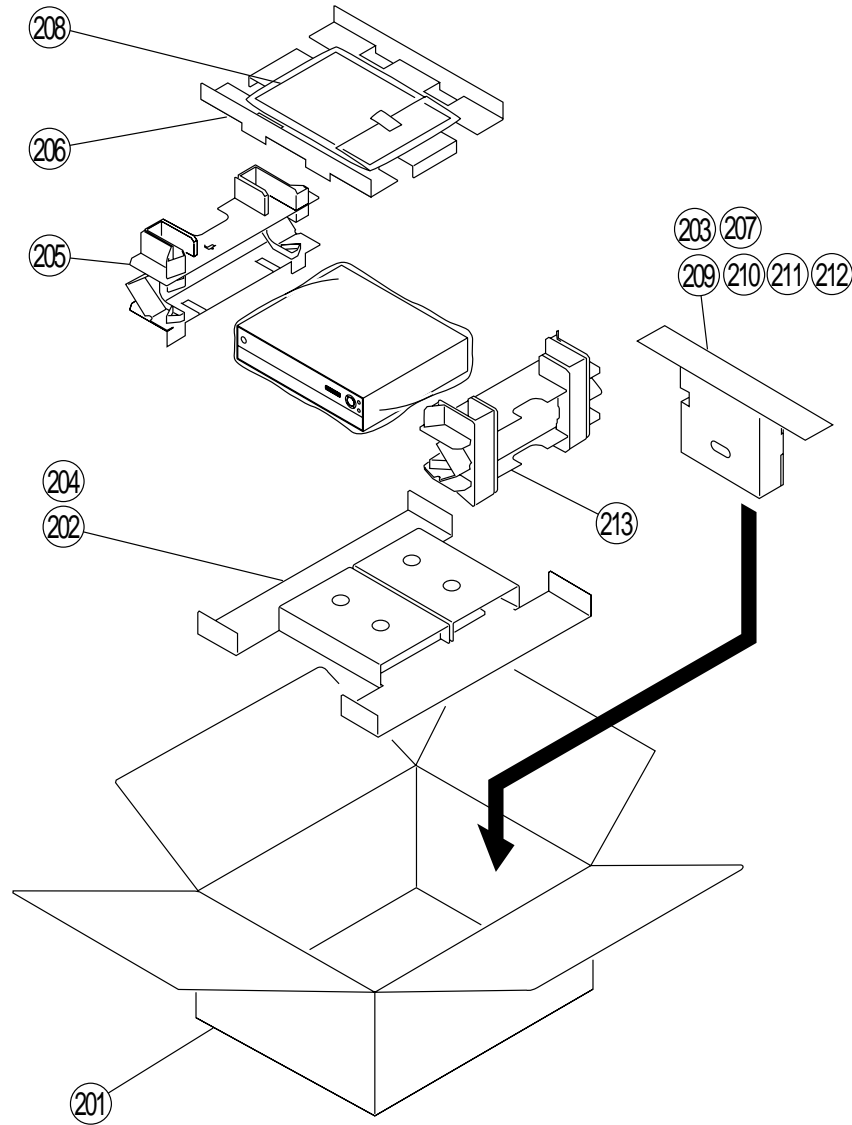
1-4. PACKING MATERIALS FOR DISPLAY UNIT(PDM-5000)



REF.NO.	PART NO.	DESCRIPTION	REMARK
---------	----------	-------------	--------

151	* 4-030-895-01	JOINT	
152	* 4-092-772-01	TRY	
153	* 4-092-771-02	INDIVIDUAL CARTON	
154	* 4-092-776-01	CUSHION(LOWER)	
155	* 4-092-670-01	SHEET, PROTECTION	
156	* 4-050-004-01	BAG, PROTECTION	
157	* 4-092-775-01	CUSHION(UPPER)	
158	* 4-092-773-01	BOARD(TOP)	
159	* 4-092-774-01	BOARD (BOTTOM)	

1-5. PACKING MATERIALS FOR MEDIA RECEIVER UNIT(MBT-XBR900)



REF.NO.	PART NO.	DESCRIPTION	REMARK
201	* 4-091-998-01	INDIVIDUAL CARTON	
202	* 4-091-737-01	SPACER (B)	
203	△ 1-823-863-21	CORD, POWER	
204	1-824-831-11	CORD WITH CONNECTOR	
205	* 4-091-735-01	CUSHION, LEFT	
206	* 4-091-736-01	SPACER (A)	
207	2-990-242-01	HOLDER (B), PLUG	
208	4-092-940-12	MANUAL, INSTRUCTION	
209	* 4-091-738-01	BOX, ACCESSORY	
210	1-477-687-11	REMOTE COMMANDER (RM-927Y)	
211	1-757-319-41	CABLE, COAXIAL (WITH (F) PLUG)	
212	X-4040-886-1	ASSY, CLEANING CLOTH	
213	* 4-091-734-01	CUSHION, RIGHT	

SECTION 2

ELECTRICAL PARTS LIST

NOTE:

The components identified \triangle marked are critical for safety.
Replace only with the part number specified.

Les composants identifiés par la marque \triangle sont critiques pour la sécurité.
Ne les remplacer que par une pièce portant le numéro spécifié.

When indicating parts by reference number, please include the board name.

- All variable and adjustable resistors have characteristic curve B, unless otherwise noted.
- Items marked " * " are not stocked since they are seldom required for routine service. Some delay should be anticipated when ordering these items.

RESISTORS

- All resistors are in ohms
- F : nonflammable

No.	#	Board	Type	△/*	Ref.No.	Part No.	Description	Remarks-1	Remarks-2	Difference
1		R1	CAPACITOR		C701	1-126-205-11	ELECT CHIP 47UF 20.00% 6.3V			
2		R1	CAPACITOR		C702	1-164-156-11	CERAMIC CHIP 0.1UF 25V			
3		R1	CONNECTOR	*	CN701	1-565-882-11	PIN, CONNECTOR (PC BOARD) 10P			
4		R1	DIODE		D701	6-500-487-01	DIODE SMLU12D16W			
5		R1	DIODE		D703	6-500-487-01	DIODE SMLU12D16W			
6		R1	DIODE		D705	6-500-425-01	DIODE SELU1E50CM			
7		R1	IC		IC701	6-600-117-01	IC GP1UM27SRK			
8		R1	TRANSISTOR		Q701	8-729-028-73	TRANSISTOR DTA114EUA-T106			
9		R1	TRANSISTOR		Q702	8-729-028-73	TRANSISTOR DTA114EUA-T106			
10		R1	TRANSISTOR		Q703	8-729-028-73	TRANSISTOR DTA114EUA-T106			
11		R1	TRANSISTOR		Q704	8-729-028-73	TRANSISTOR DTA114EUA-T106			
12		R1	TRANSISTOR		Q705	8-729-028-73	TRANSISTOR DTA114EUA-T106			
13		R1	TRANSISTOR		Q706	8-729-028-73	TRANSISTOR DTA114EUA-T106			
14		R1	RESISTOR		R701	1-216-812-11	METAL CHIP 180 5% 1/10W			
15		R1	RESISTOR		R702	1-216-809-11	METAL CHIP 100 5% 1/10W			
16		R1	RESISTOR		R703	1-216-812-11	METAL CHIP 180 5% 1/10W			
17		R1	RESISTOR		R704	1-216-820-11	METAL CHIP 820 5% 1/10W			
18		R1	RESISTOR		R705	1-216-814-11	METAL CHIP 270 5% 1/10W			
19		R1	RESISTOR		R706	1-216-820-11	METAL CHIP 820 5% 1/10W			
20		R1	RESISTOR		R710	1-216-805-11	METAL CHIP 47 5% 1/10W			
21		R2	CONNECTOR	*	CN751	1-565-876-11	PIN, CONNECTOR (PC BOARD) 4P			
22		R2	DIODE		D751	6-500-488-01	DIODE NSPW515BS			
23		R2	DIODE		D752	6-500-488-01	DIODE NSPW515BS			
24		R2	DIODE		D753	6-500-488-01	DIODE NSPW515BS			
25		R2	DIODE		D754	6-500-488-01	DIODE NSPW515BS			
26		R2	TRANSISTOR		Q751	8-729-028-73	TRANSISTOR DTA114EUA-T106			
27		R2	TRANSISTOR		Q752	8-729-028-73	TRANSISTOR DTA114EUA-T106			
28		R2	TRANSISTOR		Q753	8-729-028-73	TRANSISTOR DTA114EUA-T106			
29		R2	TRANSISTOR		Q754	8-729-028-73	TRANSISTOR DTA114EUA-T106			
30		R2	RESISTOR		R751	1-216-809-11	METAL CHIP 100 5% 1/10W			
31		R2	RESISTOR		R752	1-216-809-11	METAL CHIP 100 5% 1/10W			
32		R2	RESISTOR		R753	1-216-809-11	METAL CHIP 100 5% 1/10W			
33		R2	RESISTOR		R754	1-216-809-11	METAL CHIP 100 5% 1/10W			
34		G	CAPACITOR		C1001	1-161-830-00	CERAMIC 0.0047UF 99% 500V			
35		G	CAPACITOR		C1002	1-115-185-11	CERAMIC CHIP 0.033UF 10.00% 50V			
36		G	CAPACITOR		C1003	1-161-830-00	CERAMIC 0.0047UF 99% 500V			
37		G	CAPACITOR		C1004	1-163-037-11	CERAMIC CHIP 0.022UF 10.00% 50V			
38		G	CAPACITOR		C1005	1-115-339-11	CERAMIC CHIP 0.1UF 10.00% 50V			
39		G	CAPACITOR		C1006	1-107-823-11	CERAMIC CHIP 0.47UF 10.00% 16V			
40		G	CAPACITOR		C1007	1-107-533-11	MYLAR 1UF 20.00% 250V			
41		G	CAPACITOR		C1008	1-161-830-00	CERAMIC 0.0047UF 99% 500V			
42		G	CAPACITOR		C1009	1-161-830-00	CERAMIC 0.0047UF 99% 500V			
43		G	CAPACITOR		C1010	1-163-005-91	CERAMIC CHIP 470PF 10.00% 50V			

No.	#	Board	Type	△/*	Ref.No.	Part No.	Descrption	Remarks-1	Remarks-2	Difference
44		G	CAPACITOR		C1011	1-161-830-00	CERAMIC 0.0047UF 99% 500V			
45		G	CAPACITOR		C1012	1-163-251-11	CERAMIC CHIP 100PF 5.00% 50V			
46		G	CAPACITOR		C1013	1-161-830-00	CERAMIC 0.0047UF 99% 500V			
47		G	CAPACITOR		C1014	1-117-227-11	MYLAR 1UF 10.00% 450V			
48		G	CAPACITOR		C1015	1-163-009-91	CERAMIC CHIP 0.001UF 10.00% 50V			
49		G	CAPACITOR		C1017	1-126-947-11	ELECT 47UF 20.00% 35V			
50		G	CAPACITOR		C1018	1-117-227-11	MYLAR 1UF 10.00% 450V			
51		G	CAPACITOR		C1019	1-117-227-11	MYLAR 1UF 10.00% 450V			
52		G	CAPACITOR		C1020	1-163-021-91	CERAMIC CHIP 0.01UF 10.00% 50V			
53		G	CAPACITOR		C1021	1-163-037-11	CERAMIC CHIP 0.022UF 10.00% 50V			
54		G	CAPACITOR		C1022	1-104-666-11	ELECT 220UF 20.00% 25V			
55		G	CAPACITOR		C1023	1-115-339-11	CERAMIC CHIP 0.1UF 10.00% 50V			
56		G	CAPACITOR		C1024	1-163-021-91	CERAMIC CHIP 0.01UF 10.00% 50V			
57		G	CAPACITOR		C1025	1-163-037-11	CERAMIC CHIP 0.022UF 10.00% 50V			
58		G	CAPACITOR		C1026	1-164-004-11	CERAMIC CHIP 0.1UF 10.00% 25V			
59		G	CAPACITOR		C1027	1-126-964-11	ELECT 10UF 20.00% 50V			
60		G	CAPACITOR		C1028	1-163-275-11	CERAMIC CHIP 0.001UF 5.00% 50V			
61		G	CAPACITOR		C1029	1-104-760-11	CERAMIC CHIP 0.047UF 10.00% 50V			
62		G	CAPACITOR		C1030	1-104-330-91	CERAMIC 470PF 10.00% 1KV			
63		G	CAPACITOR		C1032	1-163-145-00	CERAMIC CHIP 0.0015UF 5.00% 50V			
64		G	CAPACITOR		C1033	1-104-330-91	CERAMIC 470PF 10.00% 1KV			
65		G	CAPACITOR		C1034	1-117-751-11	ELECT(BLOCK) 220UF 20.00% 450V			
66		G	CAPACITOR		C1035	1-163-037-11	CERAMIC CHIP 0.022UF 10.00% 50V			
67		G	CAPACITOR		C1036	1-163-021-91	CERAMIC CHIP 0.01UF 10.00% 50V			
68		G	CAPACITOR		C1037	1-117-751-11	ELECT(BLOCK) 220UF 20.00% 450V			
69		G	CAPACITOR		C1038	1-163-021-91	CERAMIC CHIP 0.01UF 10.00% 50V			
70		G	CAPACITOR		C1039	1-117-751-11	ELECT(BLOCK) 220UF 20.00% 450V			
71		G	CAPACITOR		C1040	1-163-021-91	CERAMIC CHIP 0.01UF 10.00% 50V			
72		G	CAPACITOR		C1041	1-163-021-91	CERAMIC CHIP 0.01UF 10.00% 50V			
73		G	CAPACITOR		C1042	1-126-947-11	ELECT 47UF 20.00% 35V			
74		G	CAPACITOR		C1043	1-126-964-11	ELECT 10UF 20.00% 50V			
75		G	CAPACITOR		C1044	1-163-021-91	CERAMIC CHIP 0.01UF 10.00% 50V			
76		G	CAPACITOR		C1045	1-163-021-91	CERAMIC CHIP 0.01UF 10.00% 50V			
77		G	CAPACITOR		C1046	1-163-021-91	CERAMIC CHIP 0.01UF 10.00% 50V			
78		G	CAPACITOR		C1047	1-163-021-91	CERAMIC CHIP 0.01UF 10.00% 50V			
79		G	CAPACITOR		C1048	1-126-960-11	ELECT 1UF 20.00% 50V			
80		G	CAPACITOR		C1049	1-163-021-91	CERAMIC CHIP 0.01UF 10.00% 50V			
81		G	CAPACITOR		C1050	1-126-948-11	ELECT 100UF 20.00% 35V			
82		G	CAPACITOR		C1051	1-126-968-11	ELECT 100UF 20.00% 50V			
83		G	CAPACITOR		C1052	1-163-021-91	CERAMIC CHIP 0.01UF 10.00% 50V			
84		G	CAPACITOR		C1053	1-163-009-91	CERAMIC CHIP 0.001UF 10.00% 50V			
85		G	CAPACITOR		C1054	1-163-009-91	CERAMIC CHIP 0.001UF 10.00% 50V			
86		G	CAPACITOR		C1055	1-163-009-91	CERAMIC CHIP 0.001UF 10.00% 50V			

No.	#	Board	Type	△/*	Ref.No.	Part No.	Descrption	Remarks-1	Remarks-2	Difference
87		G	CAPACITOR		C1201	1-137-639-71	MYLAR 0.47UF 10% 450V			
88		G	CAPACITOR		C1202	1-115-339-11	CERAMIC CHIP 0.1UF 10.00% 50V			
89		G	CAPACITOR		C1203	1-163-021-91	CERAMIC CHIP 0.01UF 10.00% 50V			
90		G	CAPACITOR		C1204	1-126-962-11	ELECT 3.3UF 20.00% 50V			
91		G	CAPACITOR		C1205	1-126-951-11	ELECT 470UF 20.00% 35V			
92		G	CAPACITOR		C1206	1-126-962-11	ELECT 3.3UF 20.00% 50V			
93		G	CAPACITOR		C1207	1-136-479-11	FILM 0.001UF 5.00% 100V			
94		G	CAPACITOR		C1208	1-126-964-11	ELECT 10UF 20.00% 50V			
95		G	CAPACITOR		C1209	1-127-573-11	CERAMIC CHIP 1UF 10% 16V			
96		G	CAPACITOR		C1210	1-163-009-91	CERAMIC CHIP 0.001UF 10.00% 50V			
97		G	CAPACITOR		C1211	1-136-165-00				
98		G	CAPACITOR		C1212	1-126-947-11	ELECT 47UF 20.00% 35V			
99		G	CAPACITOR		C1213	1-126-968-11	ELECT 100UF 20.00% 50V			
100		G	CAPACITOR		C1214	1-107-824-11	CERAMIC 220PF 5.00% 1KV			
101		G	CAPACITOR		C1215	1-107-824-11	CERAMIC 220PF 5.00% 1KV			
102		G	CAPACITOR		C1216	1-165-608-11	FILM 15000PF 3% 800V			
103		G	CAPACITOR		C1217	1-115-339-11	CERAMIC CHIP 0.1UF 10.00% 50V			
104		G	CAPACITOR		C1230	1-126-935-11	ELECT 470UF 20.00% 16V			
105		G	CAPACITOR		C1231	1-163-021-91	CERAMIC CHIP 0.01UF 10.00% 50V			
106		G	CAPACITOR		C1232	1-126-964-11	ELECT 10UF 20.00% 50V			
107		G	CAPACITOR		C1301	1-128-951-31	ELECT 2200UF 20% 16V			
108		G	CAPACITOR		C1302	1-128-951-31	ELECT 2200UF 20% 16V			
109		G	CAPACITOR		C1303	1-128-549-11	ELECT 3300UF 20.00% 35V			
110		G	CAPACITOR		C1304	1-137-906-31	ELECT 680UF 20% 16V			
111		G	CAPACITOR		C1305	1-137-906-31	ELECT 680UF 20% 16V			
112		G	CAPACITOR		C1306	1-137-906-31	ELECT 680UF 20% 16V			
113		G	CAPACITOR		C1307	1-163-021-91	CERAMIC CHIP 0.01UF 10.00% 50V			
114		G	CAPACITOR		C1308	1-137-800-31	ELECT 560UF 20% 6.3V			
115		G	CAPACITOR		C1309	1-163-275-11	CERAMIC CHIP 0.001UF 5.00% 50V			
116		G	CAPACITOR		C1310	1-128-551-11	ELECT 22UF 20.00% 63V			
117		G	CAPACITOR		C1311	1-115-339-11	CERAMIC CHIP 0.1UF 10.00% 50V			
118		G	CAPACITOR		C1312	1-163-037-11	CERAMIC CHIP 0.022UF 10.00% 50V			
119		G	CAPACITOR		C1313	1-115-339-11	CERAMIC CHIP 0.1UF 10.00% 50V			
120		G	CAPACITOR		C1314	1-164-346-11	CERAMIC CHIP 1UF 16V			
121		G	CAPACITOR		C1315	1-127-573-11	CERAMIC CHIP 1UF 10% 16V			
122		G	CAPACITOR		C1316	1-115-339-11	CERAMIC CHIP 0.1UF 10.00% 50V			
123		G	CAPACITOR		C1317	1-115-339-11	CERAMIC CHIP 0.1UF 10.00% 50V			
124		G	CAPACITOR		C1318	1-115-339-11	CERAMIC CHIP 0.1UF 10.00% 50V			
125		G	CAPACITOR		C1319	1-100-398-21	ELECT 270UF 20% 10V			
126		G	CAPACITOR		C1320	1-126-926-11	ELECT 1000UF 20.00% 10V			
127		G	CAPACITOR		C1321	1-163-021-91	CERAMIC CHIP 0.01UF 10.00% 50V			
128		G	CAPACITOR		C1322	1-126-947-11	ELECT 47UF 20.00% 35V			
129		G	CAPACITOR		C1323	1-162-970-11	CERAMIC CHIP 0.01UF 10.00% 25V			

No.	#	Board	Type	△/*	Ref.No.	Part No.	Descrption	Remarks-1	Remarks-2	Difference
130		G	CAPACITOR		C1324	1-107-823-11	CERAMIC CHIP 0.47UF 10.00% 16V			
131		G	CAPACITOR		C1325	1-161-830-00	CERAMIC 0.0047UF 99% 500V			
132		G	CAPACITOR		C1326	1-163-021-91	CERAMIC CHIP 0.01UF 10.00% 50V			
133		G	CAPACITOR		C1327	1-163-021-91	CERAMIC CHIP 0.01UF 10.00% 50V			
134		G	CAPACITOR		C1328	1-163-009-91	CERAMIC CHIP 0.001UF 10.00% 50V			
135		G	CAPACITOR		C1329	1-115-339-11	CERAMIC CHIP 0.1UF 10.00% 50V			
136		G	CAPACITOR		C1330	1-115-339-11	CERAMIC CHIP 0.1UF 10.00% 50V			
137		G	CAPACITOR		C1401	1-117-227-11	MYLAR 1UF 10.00% 450V			
138		G	CAPACITOR		C1402	1-163-009-91	CERAMIC CHIP 0.001UF 10.00% 50V			
139		G	CAPACITOR		C1403	1-115-339-11	CERAMIC CHIP 0.1UF 10.00% 50V			
140		G	CAPACITOR		C1404	1-126-965-91	ELECT 22UF 20.00% 50V			
141		G	CAPACITOR		C1405	1-126-967-11	ELECT 47UF 20.00% 50V			
142		G	CAPACITOR		C1406	1-163-021-91	CERAMIC CHIP 0.01UF 10.00% 50V			
143		G	CAPACITOR		C1407	1-136-479-11	FILM 0.001UF 5.00% 100V			
144		G	CAPACITOR		C1408	1-126-964-11	ELECT 10UF 20.00% 50V			
145		G	CAPACITOR		C1409	1-163-021-91	CERAMIC CHIP 0.01UF 10.00% 50V			
146		G	CAPACITOR		C1410	1-137-194-81	FILM 0.47UF 5.00% 50V			
147		G	CAPACITOR		C1411	1-136-165-00	FILM 0.1UF 5.00% 50V			
148		G	CAPACITOR		C1412	1-126-947-11	ELECT 47UF 20.00% 35V			
149		G	CAPACITOR		C1413	1-107-824-11	CERAMIC 220PF 5.00% 1KV			
150		G	CAPACITOR		C1414	1-107-824-11	CERAMIC 220PF 5.00% 1KV			
151		G	CAPACITOR		C1415	1-100-400-11	FILM 39000PF 3% 1KV			
152		G	CAPACITOR		C1416	1-119-886-51	CERAMIC 470PF 10.00% 250V			
153		G	CAPACITOR		C1417	1-119-886-51	CERAMIC 470PF 10.00% 250V			
154		G	CAPACITOR		C1501	1-165-776-31	ELECT 680UF 20% 100V			
155		G	CAPACITOR		C1502	1-102-244-00	CERAMIC 220PF 10.00% 500V			
156		G	CAPACITOR		C1503	1-165-776-31	ELECT 680UF 20% 100V			
157		G	CAPACITOR		C1504	1-128-567-51	ELECT 1000UF 20.00% 100V			
158		G	CAPACITOR		C1505	1-163-017-00	CERAMIC CHIP 0.0047UF 10.00% 50V			
159		G	CAPACITOR		C1506	1-163-009-91	CERAMIC CHIP 0.001UF 10.00% 50V			
160		G	CAPACITOR		C1507	1-163-009-91	CERAMIC CHIP 0.001UF 10.00% 50V			
161		G	CAPACITOR		C1508	1-163-021-91	CERAMIC CHIP 0.01UF 10.00% 50V			
162		G	CAPACITOR		C1601	1-163-009-91	CERAMIC CHIP 0.001UF 10.00% 50V			
163		G	CAPACITOR		C1602	1-117-228-71	MYLAR 2.2UF 10.00% 450V			
164		G	CAPACITOR		C1603	1-115-339-11	CERAMIC CHIP 0.1UF 10.00% 50V			
165		G	CAPACITOR		C1604	1-126-964-11	ELECT 10UF 20.00% 50V			
166		G	CAPACITOR		C1605	1-126-964-11	ELECT 10UF 20.00% 50V			
167		G	CAPACITOR		C1606	1-126-967-11	ELECT 47UF 20.00% 50V			
168		G	CAPACITOR		C1607	1-163-021-91	CERAMIC CHIP 0.01UF 10.00% 50V			
169		G	CAPACITOR		C1608	1-163-021-91	CERAMIC CHIP 0.01UF 10.00% 50V			
170		G	CAPACITOR		C1609	1-136-479-11	FILM 0.001UF 5.00% 100V			
171		G	CAPACITOR		C1610	1-126-964-11	ELECT 10UF 20.00% 50V			
172		G	CAPACITOR		C1611	1-137-194-81	FILM 0.47UF 5.00% 50V			

No.	#	Board	Type	△/*	Ref.No.	Part No.	Description	Remarks-1	Remarks-2	Difference
173		G	CAPACITOR		C1612	1-136-165-00	FILM 0.1UF 5.00% 50V			
174		G	CAPACITOR		C1613	1-126-947-11	ELECT 47UF 20.00% 35V			
175		G	CAPACITOR		C1614	1-104-330-91	CERAMIC 470PF 10.00% 1KV			
176		G	CAPACITOR		C1615	1-104-330-91	CERAMIC 470PF 10.00% 1KV			
177		G	CAPACITOR		C1616	1-100-400-11	FILM 39000PF 3% 1KV			
178		G	CAPACITOR		C1617	1-100-400-11	FILM 39000PF 3% 1KV			
179		G	CAPACITOR		C1619	1-119-886-51	CERAMIC 470PF 10.00% 250V			
180		G	CAPACITOR		C1701	1-100-402-11	ELECT 1000UF 20% 250V			
181		G	CAPACITOR		C1702	1-102-244-00	CERAMIC 220PF 10.00% 500V			
182		G	CAPACITOR		C1703	1-163-017-00	CERAMIC CHIP 0.0047UF 10.00% 50V			
183		G	CAPACITOR		C1704	1-163-009-91	CERAMIC CHIP 0.001UF 10.00% 50V			
184		G	CAPACITOR		C1705	1-100-402-11	ELECT 1000UF 20% 250V			
185		G	CAPACITOR		C1706	1-100-402-11	ELECT 1000UF 20% 250V			
186		G	CAPACITOR		C1707	1-100-402-11	ELECT 1000UF 20% 250V			
187		G	CAPACITOR		C1708	1-163-009-91	CERAMIC CHIP 0.001UF 10.00% 50V			
188		G	CAPACITOR		C1709	1-163-021-91	CERAMIC CHIP 0.01UF 10.00% 50V			
189		G	CAPACITOR		C1801	1-163-009-91	CERAMIC CHIP 0.001UF 10.00% 50V			
190		G	CAPACITOR		C1802	1-163-009-91	CERAMIC CHIP 0.001UF 10.00% 50V			
191		G	CAPACITOR		C1803	1-165-319-11	CERAMIC CHIP 0.1UF 50V			
192		G	CAPACITOR		C1804	1-163-021-91	CERAMIC CHIP 0.01UF 10.00% 50V			
193		G	CAPACITOR		C1805	1-163-009-91	CERAMIC CHIP 0.001UF 10.00% 50V			
194		G	CAPACITOR		C1806	1-163-009-91	CERAMIC CHIP 0.001UF 10.00% 50V			
195		G	CAPACITOR		C1807	1-163-009-91	CERAMIC CHIP 0.001UF 10.00% 50V			
196		G	CAPACITOR		C1808	1-165-319-11	CERAMIC CHIP 0.1UF 50V			
197		G	CAPACITOR		C1809	1-163-021-91	CERAMIC CHIP 0.01UF 10.00% 50V			
198		G	CAPACITOR		C1810	1-126-964-11	ELECT 10UF 20.00% 50V			
199		G	CAPACITOR		C1811	1-126-963-11	ELECT 4.7UF 20.00% 50V			
200		G	CAPACITOR		C1812	1-163-021-91	CERAMIC CHIP 0.01UF 10.00% 50V			
201		G	CAPACITOR		C1813	1-163-009-91	CERAMIC CHIP 0.001UF 10.00% 50V			
202		G	CONNECTOR	*	CN1003	1-580-843-11	PIN, CONNECTOR (POWER)			
203		G	CONNECTOR	*	CN1005	1-564-705-11	PIN, CONNECTOR (SMALL TYPE) 3P			
204		G	CONNECTOR	*	CN1006	1-766-175-11	PIN, CONNECTOR (PC BOARD) 5P			
205		G	CONNECTOR	*	CN1007	1-564-715-11	PIN, CONNECTOR (SMALL TYPE)13P			
206		G	CONNECTOR	*	CN1008	1-564-704-11	PIN, CONNECTOR (SMALL TYPE) 2P			
207		G	CONNECTOR	*	CN1009	1-580-838-11	PIN, CONNECTOR (PC BOARD) 4P			
208		G	CONNECTOR		CN1010	1-779-092-11	PIN, CONNECTOR (PC BOARD) 10P			
209		G	CONNECTOR	*	CN1011	1-564-705-11	PIN, CONNECTOR (SMALL TYPE) 3P			
210		G	DIODE		D1001	8-719-056-84	DIODE UDZ-TE-17-7.5B			
211		G	DIODE		D1002	8-719-304-63	DIODE RM11C			
212		G	DIODE		D1003	8-719-056-84	DIODE UDZ-TE-17-7.5B			
213		G	DIODE		D1004	8-719-073-32	DIODE D25XB60			
214		G	DIODE		D1005	8-719-071-94	DIODE HRU0103ATRF			
215		G	DIODE		D1006	8-719-071-94	DIODE HRU0103ATRF			

No.	#	Board	Type	△/*	Ref.No.	Part No.	Descrption	Remarks-1	Remarks-2	Difference
216		G	DIODE		D1007	8-719-073-32	DIODE D25XB60			
217		G	DIODE		D1008	8-719-404-50	DIODE MA111-TX			
218		G	DIODE		D1009	8-719-304-63	DIODE RM11C			
219		G	DIODE		D1010	8-719-056-84	DIODE UDZ-TE-17-7.5B			
220		G	DIODE		D1011	8-719-071-94	DIODE HRU0103ATRF			
221		G	DIODE		D1012	8-719-041-97	DIODE MA113-(TX)			
222		G	DIODE		D1013	8-719-041-97	DIODE MA113-(TX)			
223		G	DIODE		D1014	8-719-304-63	DIODE RM11C			
224		G	DIODE		D1015	8-719-041-97	DIODE MA113-(TX)			
225		G	DIODE		D1016	6-500-407-01	DIODE SF20L60U-4015			
226		G	DIODE		D1018	8-719-041-97	DIODE MA113-(TX)			
227		G	DIODE		D1019	8-719-404-50	DIODE MA111-TX			
228		G	DIODE		D1020	8-719-404-50	DIODE MA111-TX			
229		G	DIODE		D1021	8-719-083-83	DIODE UDZS-TE17-15B			
230		G	DIODE		D1022	8-719-083-83	DIODE UDZS-TE17-15B			
231		G	DIODE		D1023	8-719-083-83	DIODE UDZS-TE17-15B			
232		G	DIODE		D1201	8-719-056-85	DIODE UDZ-TE-17-8.2B			
233		G	DIODE		D1204	8-719-404-50	DIODE MA111-TX			
234		G	DIODE		D1205	8-719-979-64	DIODE UF4005PKG23			
235		G	DIODE		D1206	8-719-083-83	DIODE UDZS-TE17-15B			
236		G	DIODE		D1207	8-719-083-83	DIODE UDZS-TE17-15B			
237		G	DIODE		D1208	8-719-063-73	DIODE D1NL20U-TR			
238		G	DIODE		D1209	8-719-404-50	DIODE MA111-TX			
239		G	DIODE		D1301	8-719-055-40	DIODE FCQ30A04			
240		G	DIODE		D1302	8-719-052-92	DIODE D10SBS4F			
241		G	DIODE		D1303	8-719-078-04	DIODE EC31QS03L-TE12L			
242		G	DIODE		D1304	8-719-404-50	DIODE MA111-TX			
243		G	DIODE		D1305	8-719-404-50	DIODE MA111-TX			
244		G	DIODE		D1306	8-719-404-50	DIODE MA111-TX			
245		G	DIODE		D1307	8-719-911-19	DIODE 1SS119-25			
246		G	DIODE		D1308	8-719-911-19	DIODE 1SS119-25			
247		G	DIODE		D1309	8-719-911-19	DIODE 1SS119-25			
248		G	DIODE		D1310	8-719-404-50	DIODE MA111-TX			
249		G	DIODE		D1311	8-719-078-04	DIODE EC31QS03L-TE12L			
250		G	DIODE		D1312	8-719-404-50	DIODE MA111-TX			
251		G	DIODE		D1313	8-719-404-50	DIODE MA111-TX			
252		G	DIODE		D1314	8-719-404-50	DIODE MA111-TX			
253		G	DIODE		D1315	8-719-160-29	DIODE RD6.2FB2			
254		G	DIODE		D1316	8-719-404-50	DIODE MA111-TX			
255		G	DIODE		D1318	8-719-083-83	DIODE UDZS-TE17-15B			
256		G	DIODE		D1319	8-719-083-83	DIODE UDZS-TE17-15B			
257		G	DIODE		D1320	8-719-160-20	DIODE RD4.7FB2			
258		G	DIODE		D1401	8-719-404-50	DIODE MA111-TX			

No.	#	Board	Type	△/*	Ref.No.	Part No.	Description	Remarks-1	Remarks-2	Difference
259		G	DIODE		D1404	8-719-979-64	DIODE UF4005PKG23			
260		G	DIODE		D1405	8-719-041-97	DIODE MA113-(TX)			
261		G	DIODE		D1406	8-719-041-97	DIODE MA113-(TX)			
262		G	DIODE		D1407	8-719-083-83	DIODE UDZS-TE17-15B			
263		G	DIODE		D1408	8-719-083-83	DIODE UDZS-TE17-15B			
264		G	DIODE		D1501	8-719-054-51	DIODE D8LC20U-4012			
265		G	DIODE		D1502	8-719-083-63	DIODE UDZSTE-1713B			
266		G	DIODE		D1503	8-719-059-50	DIODE MA3J142D0LSO			
267		G	DIODE		D1601	8-719-404-50	DIODE MA111-TX			
268		G	DIODE		D1602	8-719-083-82	DIODE UDZS-TE17-12B			
269		G	DIODE		D1605	8-719-979-64	DIODE UF4005PKG23			
270		G	DIODE		D1606	8-719-041-97	DIODE MA113-(TX)			
271		G	DIODE		D1607	8-719-041-97	DIODE MA113-(TX)			
272		G	DIODE		D1608	8-719-083-83	DIODE UDZS-TE17-15B			
273		G	DIODE		D1609	8-719-083-83	DIODE UDZS-TE17-15B			
274		G	DIODE		D1701	6-500-439-01	DIODE D8LD40-F1			
275		G	DIODE		D1702	8-719-059-50	DIODE MA3J142D0LSO			
276		G	DIODE		D1703	8-719-059-50	DIODE MA3J142D0LSO			
277		G	DIODE		D1704	8-719-083-63	DIODE UDZSTE-1713B			
278		G	DIODE		D1801	8-719-404-50	DIODE MA111-TX			
279		G	DIODE		D1802	8-719-404-50	DIODE MA111-TX			
280		G	DIODE		D1803	8-719-059-50	DIODE MA3J142D0LSO			
281		G	DIODE		D1804	8-719-069-54	DIODE UDZSTE-175.1B			
282		G	DIODE		D1805	8-719-041-97	DIODE MA113-(TX)			
283		G	DIODE		D1806	8-719-041-97	DIODE MA113-(TX)			
284		G	IC		IC1001	6-703-132-01	IC UC3854BN			
285		G	IC		IC1002	8-759-058-50	IC XRA10324AF			
286		G	IC		IC1003	8-759-643-48	IC BA00ASFP-E2			
287		G	IC		IC1004	8-759-198-31	IC UPC1093J-1-T			
288		G	IC		IC1201	6-703-355-01	IC MCZ3001DA			
289		G	IC		IC1301	8-759-198-31	IC UPC1093J-1-T			
290		G	IC		IC1302	8-759-659-28	IC SI-8033S			
291		G	IC		IC1303	8-759-643-48	IC BA00ASFP-E2			
292		G	IC		IC1304	8-759-198-31	IC UPC1093J-1-T			
293		G	IC		IC1305	8-759-085-67	IC LM339NS			
294		G	IC		IC1306	6-703-182-01	IC IRU3037			
295		G	IC		IC1401	6-703-355-01	IC MCZ3001DA			
296		G	IC		IC1501	8-759-198-31	IC UPC1093J-1-T			
297		G	IC		IC1601	6-703-355-01	IC MCZ3001DA			
298		G	IC		IC1701	8-759-198-31	IC UPC1093J-1-T			
299		G	IC		IC1801	8-759-198-31	IC UPC1093J-1-T			
300		G	IC		IC1802	8-759-085-67	IC LM339NS			
301		G	IC		IC1803	8-759-198-31	IC UPC1093J-1-T			

No.	#	Board	Type	△/*	Ref.No.	Part No.	Descrption	Remarks-1	Remarks-2	Difference
302		G	IC		IC1804	8-759-085-67	IC LM339NS			
303		G	COIL		L1001	1-416-489-11	INDUCTOR 143UH			
304		G	COIL		L1002	1-456-273-11	INDUCTOR 60UH			
305		G	COIL		L1003	1-456-273-11	INDUCTOR 60UH			
306		G	COIL		L1201	1-406-667-11	INDUCTOR 220UH			
307		G	COIL		L1303	1-406-659-11	INDUCTOR 10UH			
308		G	COIL		L1304	1-412-525-31	INDUCTOR 10UH			
309		G	COIL		L1305	1-406-978-11	INDUCTOR 150UH			
310		G	COIL		L1306	1-419-757-11	INDUCTOR 22UH			
311		G	COIL		L1401	1-406-665-11	INDUCTOR 100UH			
312		G	COIL		L1601	1-406-977-61	INDUCTOR 100UH			
313		G	COIL		L1701	1-406-656-21	INDUCTOR 3.3UH			
314		G	PHOTO COUPLER		PH1001	8-749-010-64	PHOTO COUPLER PC123F2			
315		G	PHOTO COUPLER		PH1002	8-749-010-64	PHOTO COUPLER PC123F2			
316		G	PHOTO COUPLER		PH1201	8-749-010-64	PHOTO COUPLER PC123F2			
317		G	PHOTO COUPLER		PH1202	8-749-010-64	PHOTO COUPLER PC123F2			
318		G	PHOTO COUPLER		PH1401	8-749-010-64	PHOTO COUPLER PC123F2			
319		G	PHOTO COUPLER		PH1402	8-749-010-64	PHOTO COUPLER PC123F2			
320		G	PHOTO COUPLER		PH1601	8-749-010-64	PHOTO COUPLER PC123F2			
321		G	PHOTO COUPLER		PH1602	8-749-010-64	PHOTO COUPLER PC123F2			
322		G	TRANSISTOR		Q1001	8-729-040-89	TRANSISTOR 2SK1590-T1B			
323		G	TRANSISTOR		Q1003	8-729-820-86	TRANSISTOR 2SB1121-ST			
324		G	TRANSISTOR		Q1004	8-729-907-00	TRANSISTOR DTC114EU			
325		G	TRANSISTOR		Q1005	8-729-807-17	TRANSISTOR 2SD1621-S			
326		G	TRANSISTOR		Q1006	8-729-905-35	TRANSISTOR 2SC4081-R			
327		G	TRANSISTOR		Q1007	6-550-372-01	TRANSISTOR SPA20N60C3 E8152			
328		G	TRANSISTOR		Q1008	6-550-372-01	TRANSISTOR SPA20N60C3 E8152			
329		G	TRANSISTOR		Q1009	6-550-372-01	TRANSISTOR SPA20N60C3 E8152			
330		G	TRANSISTOR		Q1010	8-729-026-53	TRANSISTOR 2SA1576A-T106-QR			
331		G	TRANSISTOR		Q1011	8-729-905-35	TRANSISTOR 2SC4081-R			
332		G	TRANSISTOR		Q1012	8-729-905-35	TRANSISTOR 2SC4081-R			
333		G	TRANSISTOR		Q1013	8-729-905-35	TRANSISTOR 2SC4081-R			
334		G	TRANSISTOR		Q1014	8-729-905-35	TRANSISTOR 2SC4081-R			
335		G	TRANSISTOR		Q1015	8-729-023-22	TRANSISTOR 2SD2114K			
336		G	TRANSISTOR		Q1016	8-729-026-53	TRANSISTOR 2SA1576A-T106-QR			
337		G	TRANSISTOR		Q1017	8-729-026-53	TRANSISTOR 2SA1576A-T106-QR			
338		G	TRANSISTOR		Q1018	8-729-907-00	TRANSISTOR DTC114EU			
339		G	TRANSISTOR		Q1019	8-729-905-35	TRANSISTOR 2SC4081-R			
340		G	TRANSISTOR		Q1020	8-729-026-53	TRANSISTOR 2SA1576A-T106-QR			
341		G	TRANSISTOR		Q1021	8-729-023-22	TRANSISTOR 2SD2114K			
342		G	TRANSISTOR		Q1022	8-729-023-22	TRANSISTOR 2SD2114K			
343		G	TRANSISTOR		Q1023	8-729-026-53	TRANSISTOR 2SA1576A-T106-QR			
344		G	TRANSISTOR		Q1024	8-729-905-35	TRANSISTOR 2SC4081-R			

No.	#	Board	Type	△/*	Ref.No.	Part No.	Descrption	Remarks-1	Remarks-2	Difference
345		G	TRANSISTOR		Q1201	8-729-905-35	TRANSISTOR 2SC4081-R			
346		G	TRANSISTOR		Q1202	8-729-905-35	TRANSISTOR 2SC4081-R			
347		G	TRANSISTOR		Q1203	8-729-052-32	TRANSISTOR IRFIB7N50A-LF31			
348		G	TRANSISTOR		Q1204	8-729-052-32	TRANSISTOR IRFIB7N50A-LF31			
349		G	TRANSISTOR		Q1205	8-729-026-53	TRANSISTOR 2SA1576A-T106-QR			
350		G	TRANSISTOR		Q1206	8-729-905-35	TRANSISTOR 2SC4081-R			
351		G	TRANSISTOR		Q1207	8-729-905-35	TRANSISTOR 2SC4081-R			
352		G	TRANSISTOR		Q1301	8-729-026-53	TRANSISTOR 2SA1576A-T106-QR			
353		G	TRANSISTOR		Q1302	8-729-907-00	TRANSISTOR DTC114EU			
354		G	TRANSISTOR		Q1303	8-729-026-53	TRANSISTOR 2SA1576A-T106-QR			
355		G	TRANSISTOR		Q1304	6-550-373-01	TRANSISTOR IRF3707			
356		G	TRANSISTOR		Q1305	8-729-054-35	TRANSISTOR HAT2070R-EL			
357		G	TRANSISTOR		Q1306	8-729-026-53	TRANSISTOR 2SA1576A-T106-QR			
358		G	TRANSISTOR		Q1307	8-729-026-53	TRANSISTOR 2SA1576A-T106-QR			
359		G	TRANSISTOR		Q1308	6-550-380-01	TRANSISTOR IRFR5305TR			
360		G	TRANSISTOR		Q1309	8-729-905-35	TRANSISTOR 2SC4081-R			
361		G	TRANSISTOR		Q1401	8-729-907-00	TRANSISTOR DTC114EU			
362		G	TRANSISTOR		Q1402	8-729-907-00	TRANSISTOR DTC114EU			
363		G	TRANSISTOR		Q1403	8-729-820-86	TRANSISTOR 2SB1121-ST			
364		G	TRANSISTOR		Q1404	8-729-820-86	TRANSISTOR 2SB1121-ST			
365		G	TRANSISTOR		Q1405	6-550-372-01	TRANSISTOR SPA20N60C3 E8152			
366		G	TRANSISTOR		Q1406	6-550-372-01	TRANSISTOR SPA20N60C3 E8152			
367		G	TRANSISTOR		Q1501	8-729-044-42	TRANSISTOR IRFI644G-LF36			
368		G	TRANSISTOR		Q1502	8-729-026-53	TRANSISTOR 2SA1576A-T106-QR			
369		G	TRANSISTOR		Q1503	8-729-905-35	TRANSISTOR 2SC4081-R			
370		G	TRANSISTOR		Q1504	8-729-907-00	TRANSISTOR DTC114EU			
371		G	TRANSISTOR		Q1601	8-729-907-00	TRANSISTOR DTC114EU			
372		G	TRANSISTOR		Q1602	8-729-907-00	TRANSISTOR DTC114EU			
373		G	TRANSISTOR		Q1603	8-729-905-35	TRANSISTOR 2SC4081-R			
374		G	TRANSISTOR		Q1604	8-729-820-86	TRANSISTOR 2SB1121-ST			
375		G	TRANSISTOR		Q1605	8-729-820-86	TRANSISTOR 2SB1121-ST			
376		G	TRANSISTOR		Q1606	6-550-372-01	TRANSISTOR SPA20N60C3 E8152			
377		G	TRANSISTOR		Q1607	6-550-372-01	TRANSISTOR SPA20N60C3 E8152			
378		G	TRANSISTOR		Q1701	8-729-026-53	TRANSISTOR 2SA1576A-T106-QR			
379		G	TRANSISTOR		Q1702	8-729-905-35	TRANSISTOR 2SC4081-R			
380		G	TRANSISTOR		Q1704	8-729-044-42	TRANSISTOR IRFI644G-LF36			
381		G	TRANSISTOR		Q1705	8-729-907-00	TRANSISTOR DTC114EU			
382		G	TRANSISTOR		Q1801	8-729-026-53	TRANSISTOR 2SA1576A-T106-QR			
383		G	TRANSISTOR		Q1802	8-729-905-35	TRANSISTOR 2SC4081-R			
384		G	TRANSISTOR		Q1803	8-729-026-53	TRANSISTOR 2SA1576A-T106-QR			
385		G	TRANSISTOR		Q1804	8-729-026-53	TRANSISTOR 2SA1576A-T106-QR			
386		G	TRANSISTOR		Q1805	8-729-054-34	TRANSISTOR FDN304P			
387		G	TRANSISTOR		Q1806	8-729-907-00	TRANSISTOR DTC114EU			

No.	#	Board	Type	△/*	Ref.No.	Part No.	Description	Remarks-1	Remarks-2	Difference
388		G	TRANSISTOR		Q1807	8-729-026-53	TRANSISTOR 2SA1576A-T106-QR			
389		G	TRANSISTOR		Q1808	8-729-026-53	TRANSISTOR 2SA1576A-T106-QR			
390		G	TRANSISTOR		Q1809	8-729-907-00	TRANSISTOR DTC114EU			
391		G	TRANSISTOR		Q1810	8-729-026-53	TRANSISTOR 2SA1576A-T106-QR			
392		G	TRANSISTOR		Q1811	8-729-026-53	TRANSISTOR 2SA1576A-T106-QR			
393		G	RESISTOR		R1001	1-216-105-91	RES-CHIP 220K 5% 1/10W			
394		G	RESISTOR		R1002	1-216-105-91	RES-CHIP 220K 5% 1/10W			
395		G	RESISTOR		R1003	1-216-105-91	RES-CHIP 220K 5% 1/10W			
396		G	RESISTOR		R1004	1-216-105-91	RES-CHIP 220K 5% 1/10W			
397		G	RESISTOR		R1005	1-216-105-91	RES-CHIP 220K 5% 1/10W			
398		G	RESISTOR		R1006	1-216-105-91	RES-CHIP 220K 5% 1/10W			
399		G	RESISTOR		R1007	1-216-105-91	RES-CHIP 220K 5% 1/10W			
400		G	RESISTOR		R1008	1-216-105-91	RES-CHIP 220K 5% 1/10W			
401		G	RESISTOR		R1009	1-216-105-91	RES-CHIP 220K 5% 1/10W			
402		G	RESISTOR		R1010	1-216-699-91	METAL CHIP 100K 0.5% 1/10W			
403		G	RESISTOR		R1011	1-216-079-00	RES-CHIP 18K 5% 1/10W			
404		G	RESISTOR		R1012	1-216-105-91	RES-CHIP 220K 5% 1/10W			
405		G	RESISTOR		R1013	1-216-105-91	RES-CHIP 220K 5% 1/10W			
406		G	RESISTOR		R1014	1-216-105-91	RES-CHIP 220K 5% 1/10W			
407		G	RESISTOR		R1015	1-216-105-91	RES-CHIP 220K 5% 1/10W			
408		G	RESISTOR		R1016	1-216-057-00	RES-CHIP 2.2K 5% 1/10W			
409		G	RESISTOR		R1017	1-216-650-11	METAL CHIP 910 0.5% 1/10W			
410		G	RESISTOR		R1018	1-216-121-11	RES-CHIP 1M 5% 1/10W			
411		G	RESISTOR		R1019	1-216-075-00	RES-CHIP 12K 5% 1/10W			
412		G	RESISTOR		R1020	1-216-067-00	RES-CHIP 5.6K 5% 1/10W			
413		G	RESISTOR		R1021	1-216-121-11	RES-CHIP 1M 5% 1/10W			
414		G	RESISTOR		R1023	1-216-081-00	RES-CHIP 22K 5% 1/10W			
415		G	RESISTOR		R1024	1-202-972-61	FUSIBLE 1 5% 1/4W			
416		G	RESISTOR		R1025	1-219-393-11	METAL 0.05 10% 5W			
417		G	RESISTOR		R1026	1-219-393-11	METAL 0.05 10% 5W			
418		G	RESISTOR		R1027	1-216-073-91	RES-CHIP 10K 5% 1/10W			
419		G	RESISTOR		R1028	1-216-308-00	RES-CHIP 4.7 5% 1/10W			
420		G	RESISTOR		R1029	1-249-393-11	CARBON 10 5% 1/4W			
421		G	RESISTOR		R1030	1-216-308-00	RES-CHIP 4.7 5% 1/10W			
422		G	RESISTOR		R1031	1-216-057-00	RES-CHIP 2.2K 5% 1/10W			
423		G	RESISTOR		R1032	1-249-393-11	CARBON 10 5% 1/4W			
424		G	RESISTOR		R1033	1-249-393-11	CARBON 10 5% 1/4W			
425		G	RESISTOR		R1034	1-216-073-91	RES-CHIP 10K 5% 1/10W			
426		G	RESISTOR		R1035	1-249-405-11	CARBON 100 5% 1/4W			
427		G	RESISTOR		R1036	1-249-393-11	CARBON 10 5% 1/4W			
428		G	RESISTOR		R1037	1-216-081-00	RES-CHIP 22K 5% 1/10W			
429		G	RESISTOR		R1038	1-216-073-91	RES-CHIP 10K 5% 1/10W			
430		G	RESISTOR		R1039	1-216-105-91	RES-CHIP 220K 5% 1/10W			

No.	#	Board	Type	△/*	Ref.No.	Part No.	Descrption	Remarks-1	Remarks-2	Difference
431		G	RESISTOR		R1041	1-216-065-91	RES-CHIP 4.7K 5% 1/10W			
432		G	RESISTOR		R1042	1-216-081-00	RES-CHIP 22K 5% 1/10W			
433		G	RESISTOR		R1043	1-216-308-00	RES-CHIP 4.7 5% 1/10W			
434		G	RESISTOR		R1044	1-216-065-91	RES-CHIP 4.7K 5% 1/10W			
435		G	RESISTOR		R1045	1-216-081-00	RES-CHIP 22K 5% 1/10W			
436		G	RESISTOR		R1046	1-249-393-11	CARBON 10 5% 1/4W			
437		G	RESISTOR		R1047	1-216-073-91	RES-CHIP 10K 5% 1/10W			
438		G	RESISTOR		R1048	1-208-834-11	METAL CHIP 150K 0.5% 1/10W			
439		G	RESISTOR		R1049	1-208-834-11	METAL CHIP 150K 0.5% 1/10W			
440		G	RESISTOR		R1050	1-208-834-11	METAL CHIP 150K 0.5% 1/10W			
441		G	RESISTOR		R1051	1-208-834-11	METAL CHIP 150K 0.5% 1/10W			
442		G	RESISTOR		R1052	1-208-834-11	METAL CHIP 150K 0.5% 1/10W			
443		G	RESISTOR		R1053	1-208-834-11	METAL CHIP 150K 0.5% 1/10W			
444		G	RESISTOR		R1054	1-216-655-11	METAL CHIP 1.5K 0.5% 1/10W			
445		G	RESISTOR		R1055	1-208-801-11	METAL CHIP 6.2K 0.5% 1/10W			
446		G	RESISTOR		R1056	1-215-882-00	METAL OXIDE 22 5% 2W			
447		G	RESISTOR		R1057	1-216-073-91	RES-CHIP 10K 5% 1/10W			
448		G	RESISTOR		R1058	1-216-077-91	RES-CHIP 15K 5% 1/10W			
449		G	RESISTOR		R1059	1-216-081-00	RES-CHIP 22K 5% 1/10W			
450		G	RESISTOR		R1060	1-216-073-91	RES-CHIP 10K 5% 1/10W			
451		G	RESISTOR		R1061	1-216-049-11	RES-CHIP 1K 5% 1/10W			
452		G	RESISTOR		R1062	1-216-073-91	RES-CHIP 10K 5% 1/10W			
453		G	RESISTOR		R1063	1-216-089-91	RES-CHIP 47K 5% 1/10W			
454		G	RESISTOR		R1064	1-216-073-91	RES-CHIP 10K 5% 1/10W			
455		G	RESISTOR		R1065	1-208-834-11	METAL CHIP 150K 0.5% 1/10W			
456		G	RESISTOR		R1066	1-208-834-11	METAL CHIP 150K 0.5% 1/10W			
457		G	RESISTOR		R1067	1-208-834-11	METAL CHIP 150K 0.5% 1/10W			
458		G	RESISTOR		R1068	1-208-834-11	METAL CHIP 150K 0.5% 1/10W			
459		G	RESISTOR		R1069	1-208-834-11	METAL CHIP 150K 0.5% 1/10W			
460		G	RESISTOR		R1070	1-216-101-00	RES-CHIP 150K 5% 1/10W			
461		G	RESISTOR		R1071	1-216-073-91	RES-CHIP 10K 5% 1/10W			
462		G	RESISTOR		R1072	1-216-073-91	RES-CHIP 10K 5% 1/10W			
463		G	RESISTOR		R1073	1-216-049-11	RES-CHIP 1K 5% 1/10W			
464		G	RESISTOR		R1074	1-216-089-91	RES-CHIP 47K 5% 1/10W			
465		G	RESISTOR		R1075	1-208-834-11	METAL CHIP 150K 0.5% 1/10W			
466		G	RESISTOR		R1076	1-216-049-11	RES-CHIP 1K 5% 1/10W			
467		G	RESISTOR		R1077	1-216-049-11	RES-CHIP 1K 5% 1/10W			
468		G	RESISTOR		R1078	1-216-049-11	RES-CHIP 1K 5% 1/10W			
469		G	RESISTOR		R1079	1-216-073-91	RES-CHIP 10K 5% 1/10W			
470		G	RESISTOR		R1080	1-216-295-91	SHORT CHIP 0			
471		G	RESISTOR		R1081	1-216-295-91	SHORT CHIP 0			
472		G	RESISTOR		R1082	1-216-065-91	RES-CHIP 4.7K 5% 1/10W			
473		G	RESISTOR		R1083	1-216-065-91	RES-CHIP 4.7K 5% 1/10W			

No.	#	Board	Type	△/*	Ref.No.	Part No.	Descrption	Remarks-1	Remarks-2	Difference
474		G	RESISTOR		R1084	1-216-049-11	RES-CHIP 1K 5% 1/10W			
475		G	RESISTOR		R1085	1-216-073-91	RES-CHIP 10K 5% 1/10W			
476		G	RESISTOR		R1087	1-216-089-91	RES-CHIP 47K 5% 1/10W			
477		G	RESISTOR		R1088	1-216-105-91	RES-CHIP 220K 5% 1/10W			
478		G	RESISTOR		R1089	1-216-001-00	RES-CHIP 10 5% 1/10W			
479		G	RESISTOR		R1090	1-216-073-91	RES-CHIP 10K 5% 1/10W			
480		G	RESISTOR		R1091	1-216-073-91	RES-CHIP 10K 5% 1/10W			
481		G	RESISTOR		R1092	1-216-073-91	RES-CHIP 10K 5% 1/10W			
482		G	RESISTOR		R1093	1-216-065-91	RES-CHIP 4.7K 5% 1/10W			
483		G	RESISTOR		R1094	1-216-065-91	RES-CHIP 4.7K 5% 1/10W			
484		G	RESISTOR		R1095	1-240-251-11	CEMENTED 6.8 5% 10W			
485		G	RESISTOR		R1096	1-240-251-11	CEMENTED 6.8 5% 10W			
486		G	RESISTOR		R1097	1-216-635-11	METAL CHIP 220 0.5% 1/10W			
487		G	RESISTOR		R1098	1-208-798-11	METAL CHIP 4.7K 0.5% 1/10W			
488		G	RESISTOR		R1099	1-216-073-91	RES-CHIP 10K 5% 1/10W			
489		G	RESISTOR		R1100	1-216-655-11	METAL CHIP 1.5K 0.5% 1/10W			
490		G	RESISTOR		R1101	1-216-049-11	RES-CHIP 1K 5% 1/10W			
491		G	RESISTOR		R1102	1-216-073-91	RES-CHIP 10K 5% 1/10W			
492		G	RESISTOR		R1103	1-216-089-91	RES-CHIP 47K 5% 1/10W			
493		G	RESISTOR		R1104	1-216-073-91	RES-CHIP 10K 5% 1/10W			
494		G	RESISTOR		R1105	1-216-073-91	RES-CHIP 10K 5% 1/10W			
495		G	RESISTOR		R1106	1-208-804-11	METAL CHIP 8.2K 0.5% 1/10W			
496		G	RESISTOR		R1107	1-216-081-00	RES-CHIP 22K 5% 1/10W			
497		G	RESISTOR		R1108	1-216-073-91	RES-CHIP 10K 5% 1/10W			
498		G	RESISTOR		R1109	1-216-121-11	RES-CHIP 1M 5% 1/10W			
499		G	RESISTOR		R1110	1-216-121-11	RES-CHIP 1M 5% 1/10W			
500		G	RESISTOR		R1111	1-216-121-11	RES-CHIP 1M 5% 1/10W			
501		G	RESISTOR		R1112	1-216-121-11	RES-CHIP 1M 5% 1/10W			
502		G	RESISTOR		R1201	1-202-933-61	FUSE 0.1 10% 1/2W			
503		G	RESISTOR		R1202	1-208-812-11	METAL CHIP 18K 0.5% 1/10W			
504		G	RESISTOR		R1203	1-216-089-91	RES-CHIP 47K 5% 1/10W			
505		G	RESISTOR		R1204	1-216-089-91	RES-CHIP 47K 5% 1/10W			
506		G	RESISTOR		R1205	1-208-834-11	METAL CHIP 150K 0.5% 1/10W			
507		G	RESISTOR		R1206	1-208-834-11	METAL CHIP 150K 0.5% 1/10W			
508		G	RESISTOR		R1207	1-208-834-11	METAL CHIP 150K 0.5% 1/10W			
509		G	RESISTOR		R1208	1-216-065-91	RES-CHIP 4.7K 5% 1/10W			
510		G	RESISTOR		R1209	1-216-041-00	RES-CHIP 470 5% 1/10W			
511		G	RESISTOR		R1210	1-216-676-11	METAL CHIP 11K 0.5% 1/10W			
512		G	RESISTOR		R1212	1-216-089-91	RES-CHIP 47K 5% 1/10W			
513		G	RESISTOR		R1214	1-216-097-11	RES-CHIP 100K 5% 1/10W			
514		G	RESISTOR		R1215	1-216-295-91	SHORT CHIP 0			
515		G	RESISTOR		R1216	1-216-073-91	RES-CHIP 10K 5% 1/10W			
516		G	RESISTOR		R1217	1-216-049-11	RES-CHIP 1K 5% 1/10W			

No.	#	Board	Type	△/*	Ref.No.	Part No.	Description	Remarks-1	Remarks-2	Difference
517		G	RESISTOR		R1218	1-216-025-11	RES-CHIP 100 5% 1/10W			
518		G	RESISTOR		R1219	1-216-017-91	RES-CHIP 47 5% 1/10W			
519		G	RESISTOR		R1220	1-249-417-11	CARBON 1K 5% 1/4W			
520		G	RESISTOR		R1221	1-216-061-91	RES-CHIP 3.3K 5% 1/10W			
521		G	RESISTOR		R1222	1-216-061-91	RES-CHIP 3.3K 5% 1/10W			
522		G	RESISTOR		R1223	1-216-073-91	RES-CHIP 10K 5% 1/10W			
523		G	RESISTOR		R1224	1-249-393-11	CARBON 10 5% 1/4W			
524		G	RESISTOR		R1225	1-249-393-11	CARBON 10 5% 1/4W			
525		G	RESISTOR		R1226	1-216-073-91	RES-CHIP 10K 5% 1/10W			
526		G	RESISTOR		R1227	1-216-073-91	RES-CHIP 10K 5% 1/10W			
527		G	RESISTOR		R1228	1-260-304-51	CARBON 10 5% 1/2W			
528		G	RESISTOR		R1229	1-217-611-00	METAL 0.1 10% 2W			
529		G	RESISTOR		R1230	1-216-081-00	RES-CHIP 22K 5% 1/10W			
530		G	RESISTOR		R1231	1-208-836-11	METAL CHIP 180K 0.5% 1/10W			
531		G	RESISTOR		R1232	1-216-089-91	RES-CHIP 47K 5% 1/10W			
532		G	RESISTOR		R1233	1-216-065-91	RES-CHIP 4.7K 5% 1/10W			
533		G	RESISTOR		R1234	1-216-025-11	RES-CHIP 100 5% 1/10W			
534		G	RESISTOR		R1235	1-216-097-11	RES-CHIP 100K 5% 1/10W			
535		G	RESISTOR		R1236	1-216-089-91	RES-CHIP 47K 5% 1/10W			
536		G	RESISTOR		R1238	1-208-836-11	METAL CHIP 180K 0.5% 1/10W			
537		G	RESISTOR		R1239	1-208-836-11	METAL CHIP 180K 0.5% 1/10W			
538		G	RESISTOR		R1301	1-216-308-00	RES-CHIP 4.7 5% 1/10W			
539		G	RESISTOR		R1302	1-216-049-11	RES-CHIP 1K 5% 1/10W			
540		G	RESISTOR		R1303	1-216-073-91	RES-CHIP 10K 5% 1/10W			
541		G	RESISTOR		R1304	1-216-611-11	METAL CHIP 22 0.5% 1/10W			
542		G	RESISTOR		R1305	1-216-295-91	SHORT CHIP 0			
543		G	RESISTOR		R1306	1-216-687-11	METAL CHIP 33K 0.5% 1/10W			
544		G	RESISTOR		R1307	1-216-673-11	METAL CHIP 8.2K 0.5% 1/10W			
545		G	RESISTOR		R1310	1-216-073-91	RES-CHIP 10K 5% 1/10W			
546		G	RESISTOR		R1311	1-216-682-11	METAL CHIP 20K 0.5% 1/10W			
547		G	RESISTOR		R1312	1-216-665-11	METAL CHIP 3.9K 0.5% 1/10W			
548		G	RESISTOR		R1314	1-216-073-91	RES-CHIP 10K 5% 1/10W			
549		G	RESISTOR		R1317	1-216-073-91	RES-CHIP 10K 5% 1/10W			
550		G	RESISTOR		R1318	1-216-073-91	RES-CHIP 10K 5% 1/10W			
551		G	RESISTOR		R1319	1-216-073-91	RES-CHIP 10K 5% 1/10W			
552		G	RESISTOR		R1320	1-216-065-91	RES-CHIP 4.7K 5% 1/10W			
553		G	RESISTOR		R1321	1-216-065-91	RES-CHIP 4.7K 5% 1/10W			
554		G	RESISTOR		R1322	1-216-667-11	METAL CHIP 4.7K 0.5% 1/10W			
555		G	RESISTOR		R1323	1-216-651-11	METAL CHIP 1K 0.5% 1/10W			
556		G	RESISTOR		R1324	1-216-049-11	RES-CHIP 1K 5% 1/10W			
557		G	RESISTOR		R1325	1-216-073-91	RES-CHIP 10K 5% 1/10W			
558		G	RESISTOR		R1326	1-216-073-91	RES-CHIP 10K 5% 1/10W			
559		G	RESISTOR		R1327	1-216-073-91	RES-CHIP 10K 5% 1/10W			

No.	#	Board	Type	△/*	Ref.No.	Part No.	Descrption	Remarks-1	Remarks-2	Difference
560		G	RESISTOR		R1328	1-216-049-11	RES-CHIP 1K 5% 1/10W			
561		G	RESISTOR		R1329	1-216-659-11	METAL CHIP 2.2K 0.5% 1/10W			
562		G	RESISTOR		R1330	1-216-651-11	METAL CHIP 1K 0.5% 1/10W			
563		G	RESISTOR		R1331	1-216-085-91	RES-CHIP 33K 5% 1/10W			
564		G	RESISTOR		R1332	1-216-295-91	SHORT CHIP 0			
565		G	RESISTOR		R1333	1-216-295-91	SHORT CHIP 0			
566		G	RESISTOR		R1334	1-216-073-91	RES-CHIP 10K 5% 1/10W			
567		G	RESISTOR		R1335	1-216-073-91	RES-CHIP 10K 5% 1/10W			
568		G	RESISTOR		R1336	1-216-073-91	RES-CHIP 10K 5% 1/10W			
569		G	RESISTOR		R1337	1-216-049-11	RES-CHIP 1K 5% 1/10W			
570		G	RESISTOR		R1338	1-216-065-91	RES-CHIP 4.7K 5% 1/10W			
571		G	RESISTOR		R1339	1-216-667-11	METAL CHIP 4.7K 0.5% 1/10W			
572		G	RESISTOR		R1340	1-216-665-11	METAL CHIP 3.9K 0.5% 1/10W			
573		G	RESISTOR		R1341	1-216-675-91	METAL CHIP 10K 0.5% 1/10W			
574		G	RESISTOR		R1342	1-216-663-11	METAL CHIP 3.3K 0.5% 1/10W			
575		G	RESISTOR		R1343	1-216-677-11	METAL CHIP 12K 0.5% 1/10W			
576		G	RESISTOR		R1344	1-216-073-91	RES-CHIP 10K 5% 1/10W			
577		G	RESISTOR		R1345	1-216-073-91	RES-CHIP 10K 5% 1/10W			
578		G	RESISTOR		R1346	1-216-073-91	RES-CHIP 10K 5% 1/10W			
579		G	RESISTOR		R1347	1-207-923-00	WIREWOUND 27 10% 3W			
580		G	RESISTOR		R1348	1-216-097-11	RES-CHIP 100K 5% 1/10W			
581		G	RESISTOR		R1349	1-216-103-00	RES-CHIP 180K 5% 1/10W			
582		G	RESISTOR		R1350	1-216-089-91	RES-CHIP 47K 5% 1/10W			
583		G	RESISTOR		R1351	1-216-089-91	RES-CHIP 47K 5% 1/10W			
584		G	RESISTOR		R1353	1-216-089-91	RES-CHIP 47K 5% 1/10W			
585		G	RESISTOR		R1354	1-216-689-11	METAL CHIP 39K 0.5% 1/10W			
586		G	RESISTOR		R1401	1-216-089-91	RES-CHIP 47K 5% 1/10W			
587		G	RESISTOR		R1402	1-249-405-11	CARBON 100 5% 1/4W			
588		G	RESISTOR		R1403	1-202-933-61	FUSE 0.1 10% 1/2W			
589		G	RESISTOR		R1404	1-208-798-11	METAL CHIP 4.7K 0.5% 1/10W			
590		G	RESISTOR		R1405	1-208-834-11	METAL CHIP 150K 0.5% 1/10W			
591		G	RESISTOR		R1406	1-208-834-11	METAL CHIP 150K 0.5% 1/10W			
592		G	RESISTOR		R1407	1-208-834-11	METAL CHIP 150K 0.5% 1/10W			
593		G	RESISTOR		R1408	1-216-041-00	RES-CHIP 470 5% 1/10W			
594		G	RESISTOR		R1410	1-216-678-11	METAL CHIP 13K 0.5% 1/10W			
595		G	RESISTOR		R1411	1-216-623-11	METAL CHIP 68 0.5% 1/10W			
596		G	RESISTOR		R1412	1-216-627-11	METAL CHIP 100 0.5% 1/10W			
597		G	RESISTOR		R1413	1-249-393-11	CARBON 10 5% 1/4W			
598		G	RESISTOR		R1414	1-249-393-11	CARBON 10 5% 1/4W			
599		G	RESISTOR		R1415	1-216-073-91	RES-CHIP 10K 5% 1/10W			
600		G	RESISTOR		R1416	1-216-073-91	RES-CHIP 10K 5% 1/10W			
601		G	RESISTOR		R1417	1-217-625-00	METAL 0.05 10% 2W			
602		G	RESISTOR		R1418	1-216-041-00	RES-CHIP 470 5% 1/10W			

No.	#	Board	Type	△/*	Ref.No.	Part No.	Descrption	Remarks-1	Remarks-2	Difference
603		G	RESISTOR		R1419	1-216-105-91	RES-CHIP 220K 5% 1/10W			
604		G	RESISTOR		R1420	1-216-105-91	RES-CHIP 220K 5% 1/10W			
605		G	RESISTOR		R1421	1-216-105-91	RES-CHIP 220K 5% 1/10W			
606		G	RESISTOR		R1422	1-216-105-91	RES-CHIP 220K 5% 1/10W			
607		G	RESISTOR		R1423	1-216-105-91	RES-CHIP 220K 5% 1/10W			
608		G	RESISTOR		R1424	1-216-105-91	RES-CHIP 220K 5% 1/10W			
609		G	RESISTOR		R1425	1-216-105-91	RES-CHIP 220K 5% 1/10W			
610		G	RESISTOR		R1426	1-216-105-91	RES-CHIP 220K 5% 1/10W			
611		G	RESISTOR		R1427	1-208-836-11	METAL CHIP 180K 0.5% 1/10W			
612		G	RESISTOR		R1428	1-208-836-11	METAL CHIP 180K 0.5% 1/10W			
613		G	RESISTOR		R1429	1-208-836-11	METAL CHIP 180K 0.5% 1/10W			
614		G	RESISTOR		R1501	1-216-049-11	RES-CHIP 1K 5% 1/10W			
615		G	RESISTOR		R1502	1-216-049-11	RES-CHIP 1K 5% 1/10W			
616		G	RESISTOR		R1503	1-216-049-11	RES-CHIP 1K 5% 1/10W			
617		G	RESISTOR		R1504	1-216-049-11	RES-CHIP 1K 5% 1/10W			
618		G	RESISTOR		R1505	1-216-073-91	RES-CHIP 10K 5% 1/10W			
619		G	RESISTOR		R1506	1-218-760-11	METAL CHIP 220K 0.5% 1/10W			
620		G	RESISTOR		R1507	1-218-760-11	METAL CHIP 220K 0.5% 1/10W			
621		G	RESISTOR		R1508	1-208-806-11	METAL CHIP 10K 0.5% 1/10W			
622		G	RESISTOR		R1509	1-202-962-11	CEMENTED 3.3 5% 10W			
623		G	RESISTOR		R1509	1-202-962-11	CEMENTED 3.3 5% 10W			
624		G	RESISTOR		R1510	1-216-089-91	RES-CHIP 47K 5% 1/10W			
625		G	RESISTOR		R1511	1-216-073-91	RES-CHIP 10K 5% 1/10W			
626		G	RESISTOR		R1512	1-216-065-91	RES-CHIP 4.7K 5% 1/10W			
627		G	RESISTOR		R1513	1-216-073-91	RES-CHIP 10K 5% 1/10W			
628		G	RESISTOR		R1514	1-215-900-11	METAL OXIDE 22K 5% 2W			
629		G	RESISTOR		R1515	1-216-073-91	RES-CHIP 10K 5% 1/10W			
630		G	RESISTOR		R1516	1-208-834-11	METAL CHIP 150K 0.5% 1/10W			
631		G	RESISTOR		R1517	1-208-834-11	METAL CHIP 150K 0.5% 1/10W			
632		G	RESISTOR		R1518	1-208-832-11	METAL CHIP 120K 0.5% 1/10W			
633		G	RESISTOR		R1519	1-216-001-00	RES-CHIP 10 5% 1/10W			
634		G	RESISTOR		R1530	1-220-893-11	METAL 0.22 10% 5W			
635		G	RESISTOR		R1601	1-216-089-91	RES-CHIP 47K 5% 1/10W			
636		G	RESISTOR		R1602	1-249-405-11	CARBON 100 5% 1/4W			
637		G	RESISTOR		R1603	1-220-886-11	FUSIBLE 0.1 10% 1W			
638		G	RESISTOR		R1604	1-208-800-11	METAL CHIP 5.6K 0.5% 1/10W			
639		G	RESISTOR		R1605	1-216-623-11	METAL CHIP 68 0.5% 1/10W			
640		G	RESISTOR		R1606	1-208-834-11	METAL CHIP 150K 0.5% 1/10W			
641		G	RESISTOR		R1607	1-208-834-11	METAL CHIP 150K 0.5% 1/10W			
642		G	RESISTOR		R1608	1-208-834-11	METAL CHIP 150K 0.5% 1/10W			
643		G	RESISTOR		R1609	1-216-041-00	RES-CHIP 470 5% 1/10W			
644		G	RESISTOR		R1611	1-216-678-11	METAL CHIP 13K 0.5% 1/10W			
645		G	RESISTOR		R1612	1-216-057-00	RES-CHIP 2.2K 5% 1/10W			

No.	#	Board	Type	△/*	Ref.No.	Part No.	Descrption	Remarks-1	Remarks-2	Difference
646		G	RESISTOR		R1613	1-216-625-11	METAL CHIP 82 0.5% 1/10W			
647		G	RESISTOR		R1614	1-216-057-00	RES-CHIP 2.2K 5% 1/10W			
648		G	RESISTOR		R1615	1-249-393-11	CARBON 10 5% 1/4W			
649		G	RESISTOR		R1616	1-249-393-11	CARBON 10 5% 1/4W			
650		G	RESISTOR		R1617	1-216-073-91	RES-CHIP 10K 5% 1/10W			
651		G	RESISTOR		R1618	1-216-073-91	RES-CHIP 10K 5% 1/10W			
652		G	RESISTOR		R1619	1-202-965-11	METAL 0.02 10% 2W			
653		G	RESISTOR		R1620	1-216-041-00	RES-CHIP 470 5% 1/10W			
654		G	RESISTOR		R1621	1-247-289-00	METAL 8.2M 5% 1W			
655		G	RESISTOR		R1622	1-208-836-11	METAL CHIP 180K 0.5% 1/10W			
656		G	RESISTOR		R1623	1-208-836-11	METAL CHIP 180K 0.5% 1/10W			
657		G	RESISTOR		R1624	1-208-836-11	METAL CHIP 180K 0.5% 1/10W			
658		G	RESISTOR		R1701	1-216-049-11	RES-CHIP 1K 5% 1/10W			
659		G	RESISTOR		R1702	1-216-049-11	RES-CHIP 1K 5% 1/10W			
660		G	RESISTOR		R1703	1-216-049-11	RES-CHIP 1K 5% 1/10W			
661		G	RESISTOR		R1704	1-216-049-11	RES-CHIP 1K 5% 1/10W			
662		G	RESISTOR		R1705	1-216-105-91	RES-CHIP 220K 5% 1/10W			
663		G	RESISTOR		R1707	1-205-998-11	CEMENTED 1 5% 10W			
664		G	RESISTOR		R1708	1-205-998-11	CEMENTED 1 5% 10W			
665		G	RESISTOR		R1709	1-208-842-11	METAL CHIP 330K 0.5% 1/10W			
666		G	RESISTOR		R1710	1-208-842-11	METAL CHIP 330K 0.5% 1/10W			
667		G	RESISTOR		R1711	1-208-848-11	METAL CHIP 560K 0.5% 1/10W			
668		G	RESISTOR		R1712	1-208-806-11	METAL CHIP 10K 0.5% 1/10W			
669		G	RESISTOR		R1713	1-216-073-91	RES-CHIP 10K 5% 1/10W			
670		G	RESISTOR		R1714	1-216-089-91	RES-CHIP 47K 5% 1/10W			
671		G	RESISTOR		R1715	1-216-073-91	RES-CHIP 10K 5% 1/10W			
672		G	RESISTOR		R1716	1-216-073-91	RES-CHIP 10K 5% 1/10W			
673		G	RESISTOR		R1719	1-216-073-91	RES-CHIP 10K 5% 1/10W			
674		G	RESISTOR		R1720	1-245-447-11	CEMENTED 22 5% 20W			
675		G	RESISTOR		R1721	1-216-001-00	RES-CHIP 10 5% 1/10W			
676		G	RESISTOR		R1722	1-218-642-11	METAL OXIDE 100K 5% 1W			
677		G	RESISTOR		R1723	1-218-642-11	METAL OXIDE 100K 5% 1W			
678		G	RESISTOR		R1801	1-216-073-91	RES-CHIP 10K 5% 1/10W			
679		G	RESISTOR		R1802	1-216-073-91	RES-CHIP 10K 5% 1/10W			
680		G	RESISTOR		R1803	1-208-829-11	METAL CHIP 91K 0.5% 1/10W			
681		G	RESISTOR		R1804	1-208-830-11	METAL CHIP 100K 0.5% 1/10W			
682		G	RESISTOR		R1805	1-208-830-11	METAL CHIP 100K 0.5% 1/10W			
683		G	RESISTOR		R1806	1-208-806-11	METAL CHIP 10K 0.5% 1/10W			
684		G	RESISTOR		R1807	1-216-065-91	RES-CHIP 4.7K 5% 1/10W			
685		G	RESISTOR		R1808	1-216-073-91	RES-CHIP 10K 5% 1/10W			
686		G	RESISTOR		R1809	1-216-073-91	RES-CHIP 10K 5% 1/10W			
687		G	RESISTOR		R1810	1-216-675-91	METAL CHIP 10K 0.5% 1/10W			
688		G	RESISTOR		R1811	1-216-675-91	METAL CHIP 10K 0.5% 1/10W			

No.	#	Board	Type	△/*	Ref.No.	Part No.	Descrption	Remarks-1	Remarks-2	Difference
689		G	RESISTOR		R1812	1-216-089-91	RES-CHIP 47K 5% 1/10W			
690		G	RESISTOR		R1813	1-216-073-91	RES-CHIP 10K 5% 1/10W			
691		G	RESISTOR		R1814	1-208-830-11	METAL CHIP 100K 0.5% 1/10W			
692		G	RESISTOR		R1815	1-208-830-11	METAL CHIP 100K 0.5% 1/10W			
693		G	RESISTOR		R1816	1-208-830-11	METAL CHIP 100K 0.5% 1/10W			
694		G	RESISTOR		R1817	1-208-830-11	METAL CHIP 100K 0.5% 1/10W			
695		G	RESISTOR		R1818	1-208-832-11	METAL CHIP 120K 0.5% 1/10W			
696		G	RESISTOR		R1819	1-208-834-11	METAL CHIP 150K 0.5% 1/10W			
697		G	RESISTOR		R1820	1-208-834-11	METAL CHIP 150K 0.5% 1/10W			
698		G	RESISTOR		R1821	1-208-806-11	METAL CHIP 10K 0.5% 1/10W			
699		G	RESISTOR		R1822	1-216-073-91	RES-CHIP 10K 5% 1/10W			
700		G	RESISTOR		R1823	1-216-073-91	RES-CHIP 10K 5% 1/10W			
701		G	RESISTOR		R1824	1-216-073-91	RES-CHIP 10K 5% 1/10W			
702		G	RESISTOR		R1825	1-216-073-91	RES-CHIP 10K 5% 1/10W			
703		G	RESISTOR		R1826	1-216-073-91	RES-CHIP 10K 5% 1/10W			
704		G	RESISTOR		R1827	1-208-827-11	METAL CHIP 75K 0.5% 1/10W			
705		G	RESISTOR		R1828	1-208-827-11	METAL CHIP 75K 0.5% 1/10W			
706		G	RESISTOR		R1829	1-208-806-11	METAL CHIP 10K 0.5% 1/10W			
707		G	RESISTOR		R1830	1-216-065-91	RES-CHIP 4.7K 5% 1/10W			
708		G	RESISTOR		R1831	1-216-073-91	RES-CHIP 10K 5% 1/10W			
709		G	RESISTOR		R1832	1-216-073-91	RES-CHIP 10K 5% 1/10W			
710		G	RESISTOR		R1833	1-216-675-91	METAL CHIP 10K 0.5% 1/10W			
711		G	RESISTOR		R1834	1-216-675-91	METAL CHIP 10K 0.5% 1/10W			
712		G	RESISTOR		R1835	1-216-073-91	RES-CHIP 10K 5% 1/10W			
713		G	RESISTOR		R1836	1-216-065-91	RES-CHIP 4.7K 5% 1/10W			
714		G	RESISTOR		R1837	1-216-675-91	METAL CHIP 10K 0.5% 1/10W			
715		G	RESISTOR		R1838	1-216-679-11	METAL CHIP 15K 0.5% 1/10W			
716		G	RESISTOR		R1840	1-216-073-91	RES-CHIP 10K 5% 1/10W			
717		G	RESISTOR		R1841	1-216-073-91	RES-CHIP 10K 5% 1/10W			
718		G	RESISTOR		R1842	1-216-073-91	RES-CHIP 10K 5% 1/10W			
719		G	RESISTOR		R1843	1-218-768-11	METAL CHIP 470K 0.5% 1/10W			
720		G	RESISTOR		R1844	1-218-768-11	METAL CHIP 470K 0.5% 1/10W			
721		G	RESISTOR		R1845	1-216-073-91	RES-CHIP 10K 5% 1/10W			
722		G	RESISTOR		R1846	1-216-073-91	RES-CHIP 10K 5% 1/10W			
723		G	RESISTOR		R1847	1-216-073-91	RES-CHIP 10K 5% 1/10W			
724		G	RESISTOR		R1848	1-216-073-91	RES-CHIP 10K 5% 1/10W			
725		G	RESISTOR		R1849	1-216-073-91	RES-CHIP 10K 5% 1/10W			
726		G	RESISTOR		R1850	1-216-073-91	RES-CHIP 10K 5% 1/10W			
727		G	RESISTOR		R1851	1-216-073-91	RES-CHIP 10K 5% 1/10W			
728		G	RESISTOR		R1852	1-216-073-91	RES-CHIP 10K 5% 1/10W			
729		G	RESISTOR		R1853	1-216-073-91	RES-CHIP 10K 5% 1/10W			
730		G	RESISTOR		R1854	1-216-073-91	RES-CHIP 10K 5% 1/10W			
731		G	RESISTOR		R1855	1-216-073-91	RES-CHIP 10K 5% 1/10W			

No.	#	Board	Type	△/*	Ref.No.	Part No.	Descrption	Remarks-1	Remarks-2	Difference
732		G	RESISTOR		R1856	1-216-097-11	RES-CHIP 100K 5% 1/10W			
733		G	RESISTOR		R1857	1-216-097-11	RES-CHIP 100K 5% 1/10W			
734		G	RESISTOR		R1858	1-216-682-11	METAL CHIP 20K 0.5% 1/10W			
735		G	VARIABLE RESISTOR		RV1001	1-241-762-11	RES, ADJ, CARBON 2.2K			
736		G	VARIABLE RESISTOR		RV1501	1-241-768-11	RES, ADJ, CARBON 220K			
737		G	VARIABLE RESISTOR		RV1701	1-223-387-21	RES, ADJ, CARBON 330K			
738		G	RELAY		RY1001	1-755-357-11	RELAY, AC POWER			
739		G	TRANSFORMER		T1201	1-437-972-11	DC-DC CONVERTER TRANSFORMER			
740		G	TRANSFORMER		T1401	1-437-973-11	TRANSFORMER, DC-DC CONVERTER			
741		G	TRANSFORMER		T1601	1-437-974-11	TRANSFORMER, DC-DC CONVERTER			
742		G	TRANSFORMER		T1602	1-437-974-11	TRANSFORMER, DC-DC CONVERTER			
743		G	THERMISTOR		TH1001	1-809-789-71	THERMISTOR, POSITIVE			
744		G	THERMISTOR		TH1002	1-809-789-71	THERMISTOR, POSITIVE			
745		G	THERMISTOR		TH1003	1-809-789-71	THERMISTOR, POSITIVE			
746		G	THERMISTOR		TH1301	1-804-045-11	THERMISTOR			
747		G	THERMISTOR		TH1701	1-809-789-71	THERMISTOR, POSITIVE			
748		G	TEST POINT		TP1001	1-535-881-21	TERMINAL, TP (AUTO INSERTION)			
749		G	TEST POINT		TP1002	1-535-881-21	TERMINAL, TP (AUTO INSERTION)			
750		G	TEST POINT		TP1201	1-535-881-21	TERMINAL, TP (AUTO INSERTION)			
751		G	TEST POINT		TP1301	1-535-881-21	TERMINAL, TP (AUTO INSERTION)			
752		G	TEST POINT		TP1302	1-535-881-21	TERMINAL, TP (AUTO INSERTION)			
753		G	TEST POINT		TP1303	1-535-881-21	TERMINAL, TP (AUTO INSERTION)			
754		G	TEST POINT		TP1401	1-535-881-21	TERMINAL, TP (AUTO INSERTION)			
755		G	TEST POINT		TP1501	1-535-881-21	TERMINAL, TP (AUTO INSERTION)			
756		G	TEST POINT		TP1502	1-535-881-21	TERMINAL, TP (AUTO INSERTION)			
757		G	TEST POINT		TP1701	1-535-881-21	TERMINAL, TP (AUTO INSERTION)			
758		P	CAPACITOR		C3101	1-128-993-21	ELECT CHIP 22UF 20% 10V			
759		P	CAPACITOR		C3102	1-107-826-11	CERAMIC CHIP 0.1UF 10.00% 16V			
760		P	CAPACITOR		C3103	1-107-826-11	CERAMIC CHIP 0.1UF 10.00% 16V			
761		P	CAPACITOR		C3105	1-107-826-11	CERAMIC CHIP 0.1UF 10.00% 16V			
762		P	CAPACITOR		C3107	1-107-826-11	CERAMIC CHIP 0.1UF 10.00% 16V			
763		P	CAPACITOR		C3108	1-126-205-11	ELECT CHIP 47UF 20.00% 6.3V			
764		P	CAPACITOR		C3109	1-162-970-11	CERAMIC CHIP 0.01UF 10.00% 25V			
765		P	CAPACITOR		C3110	1-162-970-11	CERAMIC CHIP 0.01UF 10.00% 25V			
766		P	CAPACITOR		C3111	1-162-970-11	CERAMIC CHIP 0.01UF 10.00% 25V			
767		P	CAPACITOR		C3112	1-162-970-11	CERAMIC CHIP 0.01UF 10.00% 25V			
768		P	CAPACITOR		C3113	1-162-970-11	CERAMIC CHIP 0.01UF 10.00% 25V			
769		P	CAPACITOR		C3114	1-162-970-11	CERAMIC CHIP 0.01UF 10.00% 25V			
770		P	CAPACITOR		C3115	1-162-970-11	CERAMIC CHIP 0.01UF 10.00% 25V			
771		P	CAPACITOR		C3116	1-127-760-11	CERAMIC CHIP 4.7UF 10% 6.3V			
772		P	CAPACITOR		C3117	1-162-970-11	CERAMIC CHIP 0.01UF 10.00% 25V			
773		P	CAPACITOR		C3118	1-162-970-11	CERAMIC CHIP 0.01UF 10.00% 25V			
774		P	CAPACITOR		C3119	1-162-970-11	CERAMIC CHIP 0.01UF 10.00% 25V			

No.	#	Board	Type	△/*	Ref.No.	Part No.	Descrption	Remarks-1	Remarks-2	Difference
775		P	CAPACITOR		C3120	1-162-970-11	CERAMIC CHIP 0.01UF 10.00% 25V			
776		P	CAPACITOR		C3121	1-162-970-11	CERAMIC CHIP 0.01UF 10.00% 25V			
777		P	CAPACITOR		C3122	1-107-826-11	CERAMIC CHIP 0.1UF 10.00% 16V			
778		P	CAPACITOR		C3123	1-126-205-11	ELECT CHIP 47UF 20.00% 6.3V			
779		P	CAPACITOR		C3124	1-107-826-11	CERAMIC CHIP 0.1UF 10.00% 16V			
780		P	CAPACITOR		C3125	1-117-863-11	CERAMIC CHIP 0.47UF 10.00% 6.3V			
781		P	CAPACITOR		C3126	1-117-863-11	CERAMIC CHIP 0.47UF 10.00% 6.3V			
782		P	CAPACITOR		C3201	1-128-993-21	ELECT CHIP 22UF 20% 10V			
783		P	CAPACITOR		C3202	1-107-826-11	CERAMIC CHIP 0.1UF 10.00% 16V			
784		P	CAPACITOR		C3203	1-128-993-21	ELECT CHIP 22UF 20% 10V			
785		P	CAPACITOR		C3205	1-125-837-91	CERAMIC CHIP 1UF 10% 6.3V			
786		P	CAPACITOR		C3206	1-164-227-11	CERAMIC CHIP 0.022UF 10.00% 25V			
787		P	CAPACITOR		C3207	1-162-910-11	CERAMIC CHIP 5PF 0.25PF 50V			
788		P	CAPACITOR		C3208	1-162-915-11	CERAMIC CHIP 10PF 0.50PF 50V			
789		P	CAPACITOR		C3209	1-162-915-11	CERAMIC CHIP 10PF 0.50PF 50V			
790		P	CAPACITOR		C3210	1-162-910-11	CERAMIC CHIP 5PF 0.25PF 50V			
791		P	CAPACITOR		C3211	1-107-826-11	CERAMIC CHIP 0.1UF 10.00% 16V			
792		P	CAPACITOR		C3212	1-125-837-91	CERAMIC CHIP 1UF 10% 6.3V			
793		P	CAPACITOR		C3213	1-107-826-11	CERAMIC CHIP 0.1UF 10.00% 16V			
794		P	CAPACITOR		C3214	1-126-205-11	ELECT CHIP 47UF 20.00% 6.3V			
795		P	CAPACITOR		C3215	1-107-826-11	CERAMIC CHIP 0.1UF 10.00% 16V			
796		P	CAPACITOR		C3216	1-107-826-11	CERAMIC CHIP 0.1UF 10.00% 16V			
797		P	CAPACITOR		C3217	1-107-826-11	CERAMIC CHIP 0.1UF 10.00% 16V			
798		P	CAPACITOR		C3218	1-128-993-21	ELECT CHIP 22UF 20% 10V			
799		P	CAPACITOR		C3219	1-126-206-11	ELECT CHIP 100UF 20.00% 6.3V			
800		P	CAPACITOR		C3220	1-126-395-11	ELECT CHIP 22UF 20.00% 16V			
801		P	CAPACITOR		C3221	1-107-826-11	CERAMIC CHIP 0.1UF 10.00% 16V			
802		P	CAPACITOR		C3222	1-107-826-11	CERAMIC CHIP 0.1UF 10.00% 16V			
803		P	CAPACITOR		C3223	1-125-838-11	CERAMIC CHIP 2.2UF 10% 6.3V			
804		P	CAPACITOR		C3224	1-164-315-11	CERAMIC CHIP 470PF 5.00% 50V			
805		P	CAPACITOR		C3225	1-128-993-21	ELECT CHIP 22UF 20% 10V			
806		P	CAPACITOR		C3226	1-125-837-91	CERAMIC CHIP 1UF 10% 6.3V			
807		P	CAPACITOR		C3227	1-164-315-11	CERAMIC CHIP 470PF 5.00% 50V			
808		P	CAPACITOR		C3228	1-107-826-11	CERAMIC CHIP 0.1UF 10.00% 16V			
809		P	CAPACITOR		C3229	1-107-826-11	CERAMIC CHIP 0.1UF 10.00% 16V			
810		P	CAPACITOR		C3230	1-107-823-11	CERAMIC CHIP 0.47UF 10.00% 16V			
811		P	CAPACITOR		C3231	1-126-205-11	ELECT CHIP 47UF 20.00% 6.3V			
812		P	CAPACITOR		C3232	1-107-823-11	CERAMIC CHIP 0.47UF 10.00% 16V			
813		P	CAPACITOR		C3233	1-126-395-11	ELECT CHIP 22UF 20.00% 16V			
814		P	CAPACITOR		C3234	1-125-837-91	CERAMIC CHIP 1UF 10% 6.3V			
815		P	CAPACITOR		C3235	1-125-837-91	CERAMIC CHIP 1UF 10% 6.3V			
816		P	CAPACITOR		C3238	1-162-970-11	CERAMIC CHIP 0.01UF 10.00% 25V			
817		P	CAPACITOR		C3239	1-125-837-91	CERAMIC CHIP 1UF 10% 6.3V			

No.	#	Board	Type	△/*	Ref.No.	Part No.	Descrption	Remarks-1	Remarks-2	Difference
818		P	CAPACITOR		C3240	1-107-826-11	CERAMIC CHIP 0.1UF 10.00% 16V			
819		P	CAPACITOR		C3302	1-107-826-11	CERAMIC CHIP 0.1UF 10.00% 16V			
820		P	CAPACITOR		C3303	1-128-993-21	ELECT CHIP 22UF 20% 10V			
821		P	CAPACITOR		C3304	1-162-970-11	CERAMIC CHIP 0.01UF 10.00% 25V			
822		P	CAPACITOR		C3305	1-107-826-11	CERAMIC CHIP 0.1UF 10.00% 16V			
823		P	CAPACITOR		C3306	1-128-993-21	ELECT CHIP 22UF 20% 10V			
824		P	CAPACITOR		C3307	1-107-826-11	CERAMIC CHIP 0.1UF 10.00% 16V			
825		P	CAPACITOR		C3308	1-162-970-11	CERAMIC CHIP 0.01UF 10.00% 25V			
826		P	CAPACITOR		C3309	1-128-993-21	ELECT CHIP 22UF 20% 10V			
827		P	CAPACITOR		C3310	1-117-863-11	CERAMIC CHIP 0.47UF 10.00% 6.3V			
828		P	CAPACITOR		C3311	1-126-246-11	ELECT CHIP 220UF 20.00% 4V			
829		P	CAPACITOR		C3313	1-107-826-11	CERAMIC CHIP 0.1UF 10.00% 16V			
830		P	CAPACITOR		C3401	1-162-916-11	CERAMIC CHIP 12PF 5.00% 50V			
831		P	CAPACITOR		C3402	1-162-908-11	CERAMIC CHIP 3PF 0.25PF 50V			
832		P	CAPACITOR		C3403	1-126-206-11	ELECT CHIP 100UF 20.00% 6.3V			
833		P	CAPACITOR		C3404	1-126-246-11	ELECT CHIP 220UF 20.00% 4V			
834		P	CAPACITOR		C3405	1-162-970-11	CERAMIC CHIP 0.01UF 10.00% 25V			
835		P	CAPACITOR		C3406	1-162-970-11	CERAMIC CHIP 0.01UF 10.00% 25V			
836		P	CAPACITOR		C3407	1-162-970-11	CERAMIC CHIP 0.01UF 10.00% 25V			
837		P	CAPACITOR		C3408	1-162-970-11	CERAMIC CHIP 0.01UF 10.00% 25V			
838		P	CAPACITOR		C3409	1-162-970-11	CERAMIC CHIP 0.01UF 10.00% 25V			
839		P	CAPACITOR		C3410	1-162-970-11	CERAMIC CHIP 0.01UF 10.00% 25V			
840		P	CAPACITOR		C3411	1-162-970-11	CERAMIC CHIP 0.01UF 10.00% 25V			
841		P	CAPACITOR		C3412	1-162-970-11	CERAMIC CHIP 0.01UF 10.00% 25V			
842		P	CAPACITOR		C3413	1-162-970-11	CERAMIC CHIP 0.01UF 10.00% 25V			
843		P	CAPACITOR		C3414	1-162-970-11	CERAMIC CHIP 0.01UF 10.00% 25V			
844		P	CAPACITOR		C3415	1-162-970-11	CERAMIC CHIP 0.01UF 10.00% 25V			
845		P	CAPACITOR		C3416	1-162-970-11	CERAMIC CHIP 0.01UF 10.00% 25V			
846		P	CAPACITOR		C3417	1-162-970-11	CERAMIC CHIP 0.01UF 10.00% 25V			
847		P	CAPACITOR		C3418	1-162-970-11	CERAMIC CHIP 0.01UF 10.00% 25V			
848		P	CAPACITOR		C3419	1-162-970-11	CERAMIC CHIP 0.01UF 10.00% 25V			
849		P	CAPACITOR		C3420	1-162-970-11	CERAMIC CHIP 0.01UF 10.00% 25V			
850		P	CAPACITOR		C3421	1-162-970-11	CERAMIC CHIP 0.01UF 10.00% 25V			
851		P	CAPACITOR		C3422	1-162-970-11	CERAMIC CHIP 0.01UF 10.00% 25V			
852		P	CAPACITOR		C3423	1-162-970-11	CERAMIC CHIP 0.01UF 10.00% 25V			
853		P	CAPACITOR		C3424	1-162-970-11	CERAMIC CHIP 0.01UF 10.00% 25V			
854		P	CAPACITOR		C3425	1-162-970-11	CERAMIC CHIP 0.01UF 10.00% 25V			
855		P	CAPACITOR		C3426	1-162-970-11	CERAMIC CHIP 0.01UF 10.00% 25V			
856		P	CAPACITOR		C3427	1-162-970-11	CERAMIC CHIP 0.01UF 10.00% 25V			
857		P	CAPACITOR		C3428	1-162-970-11	CERAMIC CHIP 0.01UF 10.00% 25V			
858		P	CAPACITOR		C3429	1-162-970-11	CERAMIC CHIP 0.01UF 10.00% 25V			
859		P	CAPACITOR		C3430	1-162-970-11	CERAMIC CHIP 0.01UF 10.00% 25V			
860		P	CAPACITOR		C3431	1-162-970-11	CERAMIC CHIP 0.01UF 10.00% 25V			

No.	#	Board	Type	△ /*	Ref.No.	Part No.	Description	Remarks-1	Remarks-2	Difference
861		P	CAPACITOR		C3432	1-162-970-11	CERAMIC CHIP 0.01UF 10.00% 25V			
862		P	CAPACITOR		C3433	1-162-970-11	CERAMIC CHIP 0.01UF 10.00% 25V			
863		P	CAPACITOR		C3434	1-162-970-11	CERAMIC CHIP 0.01UF 10.00% 25V			
864		P	CAPACITOR		C3435	1-162-970-11	CERAMIC CHIP 0.01UF 10.00% 25V			
865		P	CAPACITOR		C3451	1-128-993-21	ELECT CHIP 22UF 20% 10V			
866		P	CAPACITOR		C3452	1-107-826-11	CERAMIC CHIP 0.1UF 10.00% 16V			
867		P	CAPACITOR		C3453	1-107-826-11	CERAMIC CHIP 0.1UF 10.00% 16V			
868		P	CAPACITOR		C3454	1-107-826-11	CERAMIC CHIP 0.1UF 10.00% 16V			
869		P	CAPACITOR		C3501	1-126-205-11	ELECT CHIP 47UF 20.00% 6.3V			
870		P	CAPACITOR		C3502	1-107-826-11	CERAMIC CHIP 0.1UF 10.00% 16V			
871		P	CAPACITOR		C3503	1-162-964-11	CERAMIC CHIP 0.001UF 10.00% 50V			
872		P	CAPACITOR		C3504	1-107-826-11	CERAMIC CHIP 0.1UF 10.00% 16V			
873		P	CAPACITOR		C3505	1-162-964-11	CERAMIC CHIP 0.001UF 10.00% 50V			
874		P	CAPACITOR		C3506	1-107-826-11	CERAMIC CHIP 0.1UF 10.00% 16V			
875		P	CAPACITOR		C3507	1-162-964-11	CERAMIC CHIP 0.001UF 10.00% 50V			
876		P	CAPACITOR		C3508	1-107-826-11	CERAMIC CHIP 0.1UF 10.00% 16V			
877		P	CAPACITOR		C3509	1-126-205-11	ELECT CHIP 47UF 20.00% 6.3V			
878		P	CAPACITOR		C3510	1-162-964-11	CERAMIC CHIP 0.001UF 10.00% 50V			
879		P	CAPACITOR		C3511	1-107-826-11	CERAMIC CHIP 0.1UF 10.00% 16V			
880		P	CAPACITOR		C3512	1-162-964-11	CERAMIC CHIP 0.001UF 10.00% 50V			
881		P	CAPACITOR		C3513	1-107-826-11	CERAMIC CHIP 0.1UF 10.00% 16V			
882		P	CAPACITOR		C3514	1-162-964-11	CERAMIC CHIP 0.001UF 10.00% 50V			
883		P	CAPACITOR		C3515	1-107-826-11	CERAMIC CHIP 0.1UF 10.00% 16V			
884		P	CONNECTOR		CN3101	1-817-120-11	CONNECTOR, DVI-D			
885		P	CONNECTOR		CN3102	1-817-112-11	HALF PITCH CONNECTOR (26PIN)			
886		P	CONNECTOR	*	CN3201	1-779-268-21	PIN, CONNECTOR (1.5MM)(SMD)11P			
887		P	CONNECTOR		CN3202	1-766-382-21	PIN, CONNECTOR (1.5MM)(SMD)10P			
888		P	CONNECTOR		CN3204	1-815-954-21	PIN, CONNECTOR (PC BOARD) 13P			
889		P	CONNECTOR		CN3205	1-573-290-21	PIN, CONNECTOR (1.5MM) (SMD)4P			
890		P	CONNECTOR		CN3207	1-766-383-11	PIN, CONNECTOR (1.5MM)(SMD)12P			
891		P	CONNECTOR	*	CN3209	1-573-768-21	PIN, CONNECTOR (1.5MM) (SMD)5P			
892		P	CONNECTOR		CN3501	1-817-110-21	BOARD TO WIRE CONNECTOR 31P			
893		P	DIODE		D3101	8-719-069-55	DIODE UDZSTE-175.6B			
894		P	DIODE		D3103	8-719-069-55	DIODE UDZSTE-175.6B			
895		P	DIODE		D3104	8-719-024-77	DIODE HN1D03FU-TE85L			
896		P	DIODE		D3105	8-719-024-77	DIODE HN1D03FU-TE85L			
897		P	DIODE		D3106	8-719-024-77	DIODE HN1D03FU-TE85L			
898		P	DIODE		D3107	8-719-024-77	DIODE HN1D03FU-TE85L			
899		P	DIODE		D3108	8-719-083-58	DIODE UDZSTE-173.9B			
900		P	DIODE		D3110	8-719-069-55	DIODE UDZSTE-175.6B			
901		P	DIODE		D3111	8-719-024-77	DIODE HN1D03FU-TE85L			
902		P	DIODE		D3112	8-719-024-77	DIODE HN1D03FU-TE85L			
903		P	DIODE		D3113	8-719-024-77	DIODE HN1D03FU-TE85L			

No.	#	Board	Type	△/*	Ref.No.	Part No.	Description	Remarks-1	Remarks-2	Difference
904		P	DIODE		D3114	8-719-024-77	DIODE HN1D03FU-TE85L			
905		P	DIODE		D3201	8-719-081-19	DIODE 1SS383(T5RSONY1)			
906		P	DIODE		D3202	8-719-081-19	DIODE 1SS383(T5RSONY1)			
907		P	DIODE		D3203	8-719-404-50	DIODE MA111-TX			
908		P	DIODE		D3204	8-719-404-50	DIODE MA111-TX			
909		P	DIODE		D3205	8-719-404-50	DIODE MA111-TX			
910		P	DIODE		D3206	8-719-069-55	DIODE UDZSTE-175.6B			
911		P	DIODE		D3207	8-719-404-50	DIODE MA111-TX			
912		P	DIODE		D3209	8-719-069-55	DIODE UDZSTE-175.6B			
913		P	DIODE		D3210	8-719-069-55	DIODE UDZSTE-175.6B			
914		P	DIODE		D3211	8-719-404-50	DIODE MA111-TX			
915		P	DIODE		D3301	8-719-404-50	DIODE MA111-TX			
916		P	FERRITE		FB3101	1-414-445-11	FERRITE 0UH			
917		P	FERRITE		FB3102	1-414-445-11	FERRITE 0UH			
918		P	FERRITE		FB3103	1-414-445-11	FERRITE 0UH			
919		P	FERRITE		FB3104	1-414-445-11	FERRITE 0UH			
920		P	FERRITE		FB3105	1-414-445-11	FERRITE 0UH			
921		P	FERRITE		FB3201	1-414-445-11	FERRITE 0UH			
922		P	FERRITE		FB3202	1-414-864-11	FERRITE 0UH			
923		P	FERRITE		FB3203	1-414-864-11	FERRITE 0UH			
924		P	FERRITE		FB3205	1-414-864-11	FERRITE 0UH			
925		P	FERRITE		FB3206	1-414-864-11	FERRITE 0UH			
926		P	FERRITE		FB3208	1-414-445-11	FERRITE 0UH			
927		P	FERRITE		FB3209	1-414-445-11	FERRITE 0UH			
928		P	FERRITE		FB3210	1-414-445-11	FERRITE 0UH			
929		P	FERRITE		FB3211	1-414-864-11	FERRITE 0UH			
930		P	FERRITE		FB3212	1-414-445-11	FERRITE 0UH			
931		P	FERRITE		FB3213	1-414-864-11	FERRITE 0UH			
932		P	FERRITE		FB3303	1-414-445-11	FERRITE 0UH			
933		P	FERRITE		FB3304	1-414-864-11	FERRITE 0UH			
934		P	FERRITE		FB3305	1-414-864-11	FERRITE 0UH			
935		P	FERRITE		FB3451	1-414-445-11	FERRITE 0UH			
936		P	FERRITE		FB3501	1-414-445-11	FERRITE 0UH			
937		P	FERRITE		FB3502	1-414-445-11	FERRITE 0UH			
938		P	FERRITE		FB3503	1-414-445-11	FERRITE 0UH			
939		P	IC		IC3101	8-759-675-46	IC SN65LVDS1050PWR			
940		P	IC		IC3102	8-759-683-99	IC BA8274F-E2			
941		P	IC		IC3105	8-759-596-39	IC SN74LV4052APWR			
942		P	IC		IC3106	6-700-150-01	IC M24C04-WMN6T(A)			
943		P	IC		IC3107	6-703-097-01	IC TFP501PZP			
944		P	IC		IC3108	8-759-338-95	IC NJM2903V(TE2)			
945		P	IC		IC3109	8-759-596-29	IC SN74LV4066APWR			
946		P	IC		IC3201	8-759-082-58	IC TC7W08FU			

No.	#	Board	Type	△/*	Ref.No.	Part No.	Descrption	Remarks-1	Remarks-2	Difference
947		P	IC		IC3202	8-759-824-69	IC PST9245NL			
948		P	IC		IC3203	6-703-095-01	IC HD64F2134AFA20V			
949		P	IC		IC3204	6-702-688-01	IC M24C64-WMN6T(B)			
950		P	IC		IC3205	8-759-585-53	IC SN74AHCT245PWR			
951		P	IC		IC3206	8-759-549-15	IC SN74LV245APWR			
952		P	IC		IC3207	8-759-579-31	IC PQ20WZ1U			
953		P	IC		IC3208	8-759-082-60	IC TC7S66FU			
954		P	IC		IC3209	6-701-977-01	IC MM1565AFBE			
955		P	IC		IC3210	8-759-581-11	IC NJM2125F(Te2)			
956		P	IC		IC3301	8-759-669-75	IC TLC2932IPWR			
957		P	IC		IC3302	6-700-439-01	IC SN74ALVC00PWR			
958		P	IC		IC3303	6-700-394-01	IC BA25BC0FP-E2			
959		P	IC		IC3401	6-703-096-01	IC CXD9738R			
960		P	IC		IC3451	6-802-480-01	IC XC9572XL-10VQ44C-ORBIT			
961		P	IC		IC3501	6-700-592-01	IC DS90C387VJDX			
962		P	IC		IC3502	6-701-762-11	IC DS90LV018ATMX			
963		P	COIL		L3201	1-469-553-21	INDUCTOR 4.7UH			
964		P	COIL		L3202	1-419-630-21	INDUCTOR 4.7UH			
965		P	COIL		L3301	1-469-561-21	INDUCTOR 100UH			
966		P	COIL		L3302	1-469-561-21	INDUCTOR 100UH			
967		P	TRANSISTOR		Q3101	8-729-422-33	TRANSISTOR 2SD601A-Q-TX			
968		P	TRANSISTOR		Q3102	8-729-029-14	TRANSISTOR DTC144EUA-T106			
969		P	TRANSISTOR		Q3103	8-729-907-00	TRANSISTOR DTC114EU			
970		P	TRANSISTOR		Q3104	6-550-014-01	TRANSISTOR SSM6N15FU(TE85R)			
971		P	TRANSISTOR		Q3105	8-729-907-00	TRANSISTOR DTC114EU			
972		P	TRANSISTOR		Q3106	8-729-028-86	TRANSISTOR DTA143EUA-T106			
973		P	TRANSISTOR		Q3107	8-729-907-00	TRANSISTOR DTC114EU			
974		P	TRANSISTOR		Q3108	8-729-046-75	TRANSISTOR SI2301DS-T1			
975		P	TRANSISTOR		Q3109	8-729-907-00	TRANSISTOR DTC114EU			
976		P	TRANSISTOR		Q3201	6-550-014-01	TRANSISTOR SSM6N15FU(TE85R)			
977		P	TRANSISTOR		Q3203	6-550-014-01	TRANSISTOR SSM6N15FU(TE85R)			
978		P	TRANSISTOR		Q3204	8-729-028-86	TRANSISTOR DTA143EUA-T106			
979		P	TRANSISTOR		Q3205	8-729-907-00	TRANSISTOR DTC114EU			
980		P	TRANSISTOR		Q3206	8-729-028-86	TRANSISTOR DTA143EUA-T106			
981		P	TRANSISTOR		Q3207	8-729-907-00	TRANSISTOR DTC114EU			
982		P	TRANSISTOR		Q3301	8-729-046-75	TRANSISTOR SI2301DS-T1			
983		P	TRANSISTOR		Q3302	8-729-907-00	TRANSISTOR DTC114EU			
984		P	RESISTOR		R3101	1-216-833-11	METAL CHIP 10K 5% 1/10W			
985		P	RESISTOR		R3102	1-216-813-11	METAL CHIP 220 5% 1/10W			
986		P	RESISTOR		R3103	1-216-833-11	METAL CHIP 10K 5% 1/10W			
987		P	RESISTOR		R3104	1-218-823-11	METAL CHIP 100 0.5% 1/10W			
988		P	RESISTOR		R3105	1-218-823-11	METAL CHIP 100 0.5% 1/10W			
989		P	RESISTOR		R3107	1-216-833-11	METAL CHIP 10K 5% 1/10W			

No.	#	Board	Type	△/*	Ref.No.	Part No.	Description	Remarks-1	Remarks-2	Difference
990		P	RESISTOR		R3108	1-216-833-11	METAL CHIP 10K 5% 1/10W			
991		P	RESISTOR		R3110	1-216-833-11	METAL CHIP 10K 5% 1/10W			
992		P	RESISTOR		R3113	1-216-864-11	SHORT CHIP 0			
993		P	RESISTOR		R3115	1-216-864-11	SHORT CHIP 0			
994		P	RESISTOR		R3116	1-216-864-11	SHORT CHIP 0			
995		P	RESISTOR		R3118	1-216-809-11	METAL CHIP 100 5% 1/10W			
996		P	RESISTOR		R3120	1-216-833-11	METAL CHIP 10K 5% 1/10W			
997		P	RESISTOR		R3121	1-216-801-11	METAL CHIP 22 5% 1/10W			
998		P	RESISTOR		R3122	1-216-801-11	METAL CHIP 22 5% 1/10W			
999		P	RESISTOR		R3123	1-216-801-11	METAL CHIP 22 5% 1/10W			
1000		P	RESISTOR		R3124	1-216-801-11	METAL CHIP 22 5% 1/10W			
1001		P	RESISTOR		R3125	1-216-833-11	METAL CHIP 10K 5% 1/10W			
1002		P	RESISTOR		R3126	1-216-821-11	METAL CHIP 1K 5% 1/10W			
1003		P	RESISTOR		R3127	1-216-829-11	METAL CHIP 4.7K 5% 1/10W			
1004		P	RESISTOR		R3128	1-216-829-11	METAL CHIP 4.7K 5% 1/10W			
1005		P	RESISTOR		R3129	1-216-829-11	METAL CHIP 4.7K 5% 1/10W			
1006		P	RESISTOR		R3130	1-216-829-11	METAL CHIP 4.7K 5% 1/10W			
1007		P	RESISTOR		R3133	1-216-829-11	METAL CHIP 4.7K 5% 1/10W			
1008		P	RESISTOR		R3134	1-216-841-11	METAL CHIP 47K 5% 1/10W			
1009		P	RESISTOR		R3135	1-216-833-11	METAL CHIP 10K 5% 1/10W			
1010		P	RESISTOR		R3137	1-216-809-11	METAL CHIP 100 5% 1/10W			
1011		P	RESISTOR		R3138	1-216-809-11	METAL CHIP 100 5% 1/10W			
1012		P	RESISTOR		R3139	1-216-809-11	METAL CHIP 100 5% 1/10W			
1013		P	RESISTOR		R3141	1-216-841-11	METAL CHIP 47K 5% 1/10W			
1014		P	RESISTOR		R3142	1-216-833-11	METAL CHIP 10K 5% 1/10W			
1015		P	RESISTOR		R3143	1-216-829-11	METAL CHIP 4.7K 5% 1/10W			
1016		P	RESISTOR		R3144	1-216-829-11	METAL CHIP 4.7K 5% 1/10W			
1017		P	RESISTOR		R3145	1-216-864-11	SHORT CHIP 0			
1018		P	RESISTOR		R3146	1-216-809-11	METAL CHIP 100 5% 1/10W			
1019		P	RESISTOR		R3147	1-216-809-11	METAL CHIP 100 5% 1/10W			
1020		P	RESISTOR		R3148	1-216-809-11	METAL CHIP 100 5% 1/10W			
1021		P	RESISTOR		R3149	1-216-809-11	METAL CHIP 100 5% 1/10W			
1022		P	RESISTOR		R3151	1-216-864-11	SHORT CHIP 0			
1023		P	RESISTOR		R3152	1-216-864-11	SHORT CHIP 0			
1024		P	RESISTOR		R3153	1-216-864-11	SHORT CHIP 0			
1025		P	RESISTOR		R3154	1-216-864-11	SHORT CHIP 0			
1026		P	RESISTOR		R3159	1-216-829-11	METAL CHIP 4.7K 5% 1/10W			
1027		P	RESISTOR		R3161	1-216-864-11	SHORT CHIP 0			
1028		P	RESISTOR		R3201	1-216-829-11	METAL CHIP 4.7K 5% 1/10W			
1029		P	RESISTOR		R3202	1-216-809-11	METAL CHIP 100 5% 1/10W			
1030		P	RESISTOR		R3203	1-216-829-11	METAL CHIP 4.7K 5% 1/10W			
1031		P	RESISTOR		R3204	1-216-864-11	SHORT CHIP 0			
1032		P	RESISTOR		R3206	1-216-833-11	METAL CHIP 10K 5% 1/10W			

No.	#	Board	Type	△/*	Ref.No.	Part No.	Descrption	Remarks-1	Remarks-2	Difference
1033		P	RESISTOR		R3207	1-216-833-11	METAL CHIP 10K 5% 1/10W			
1034		P	RESISTOR		R3208	1-216-833-11	METAL CHIP 10K 5% 1/10W			
1035		P	RESISTOR		R3209	1-216-825-11	METAL CHIP 2.2K 5% 1/10W			
1036		P	RESISTOR		R3210	1-216-833-11	METAL CHIP 10K 5% 1/10W			
1037		P	RESISTOR		R3212	1-216-864-11	SHORT CHIP 0			
1038		P	RESISTOR		R3213	1-216-864-11	SHORT CHIP 0			
1039		P	RESISTOR		R3214	1-216-829-11	METAL CHIP 4.7K 5% 1/10W			
1040		P	RESISTOR		R3215	1-216-809-11	METAL CHIP 100 5% 1/10W			
1041		P	RESISTOR		R3216	1-216-829-11	METAL CHIP 4.7K 5% 1/10W			
1042		P	RESISTOR		R3217	1-216-809-11	METAL CHIP 100 5% 1/10W			
1043		P	RESISTOR		R3218	1-216-833-11	METAL CHIP 10K 5% 1/10W			
1044		P	RESISTOR		R3219	1-216-829-11	METAL CHIP 4.7K 5% 1/10W			
1045		P	RESISTOR		R3221	1-216-809-11	METAL CHIP 100 5% 1/10W			
1046		P	RESISTOR		R3222	1-216-825-11	METAL CHIP 2.2K 5% 1/10W			
1047		P	RESISTOR		R3223	1-216-825-11	METAL CHIP 2.2K 5% 1/10W			
1048		P	RESISTOR		R3224	1-216-809-11	METAL CHIP 100 5% 1/10W			
1049		P	RESISTOR		R3225	1-216-833-11	METAL CHIP 10K 5% 1/10W			
1050		P	RESISTOR		R3226	1-216-809-11	METAL CHIP 100 5% 1/10W			
1051		P	RESISTOR		R3227	1-216-809-11	METAL CHIP 100 5% 1/10W			
1052		P	RESISTOR		R3228	1-218-866-11	METAL CHIP 6.2K 0.5% 1/10W			
1053		P	RESISTOR		R3229	1-218-853-11	METAL CHIP 1.8K 0.5% 1/10W			
1054		P	RESISTOR		R3230	1-216-835-11	METAL CHIP 15K 5% 1/10W			
1055		P	RESISTOR		R3231	1-216-833-11	METAL CHIP 10K 5% 1/10W			
1056		P	RESISTOR		R3232	1-216-832-11	METAL CHIP 8.2K 5% 1/10W			
1057		P	RESISTOR		R3233	1-216-829-11	METAL CHIP 4.7K 5% 1/10W			
1058		P	RESISTOR		R3234	1-216-829-11	METAL CHIP 4.7K 5% 1/10W			
1059		P	RESISTOR		R3235	1-216-833-11	METAL CHIP 10K 5% 1/10W			
1060		P	RESISTOR		R3236	1-216-821-11	METAL CHIP 1K 5% 1/10W			
1061		P	RESISTOR		R3238	1-216-829-11	METAL CHIP 4.7K 5% 1/10W			
1062		P	RESISTOR		R3241	1-216-833-11	METAL CHIP 10K 5% 1/10W			
1063		P	RESISTOR		R3242	1-218-871-11	METAL CHIP 10K 0.5% 1/10W			
1064		P	RESISTOR		R3243	1-218-863-11	METAL CHIP 4.7K 0.5% 1/10W			
1065		P	RESISTOR		R3244	1-218-855-11	METAL CHIP 2.2K 0.5% 1/10W			
1066		P	RESISTOR		R3245	1-218-847-11	METAL CHIP 1K 0.5% 1/10W			
1067		P	RESISTOR		R3246	1-218-847-11	METAL CHIP 1K 0.5% 1/10W			
1068		P	RESISTOR		R3247	1-218-871-11	METAL CHIP 10K 0.5% 1/10W			
1069		P	RESISTOR		R3248	1-216-833-11	METAL CHIP 10K 5% 1/10W			
1070		P	RESISTOR		R3249	1-216-841-11	METAL CHIP 47K 5% 1/10W			
1071		P	RESISTOR		R3252	1-216-835-11	METAL CHIP 15K 5% 1/10W			
1072		P	RESISTOR		R3253	1-216-835-11	METAL CHIP 15K 5% 1/10W			
1073		P	RESISTOR		R3256	1-216-801-11	METAL CHIP 22 5% 1/10W			
1074		P	RESISTOR		R3258	1-216-864-11	SHORT CHIP 0			
1075		P	RESISTOR		R3259	1-216-829-11	METAL CHIP 4.7K 5% 1/10W			

No.	#	Board	Type	△/*	Ref.No.	Part No.	Description	Remarks-1	Remarks-2	Difference
1076		P	RESISTOR		R3262	1-216-809-11	METAL CHIP 100 5% 1/10W			
1077		P	RESISTOR		R3263	1-218-871-11	METAL CHIP 10K 0.5% 1/10W			
1078		P	RESISTOR		R3264	1-218-871-11	METAL CHIP 10K 0.5% 1/10W			
1079		P	RESISTOR		R3265	1-216-833-11	METAL CHIP 10K 5% 1/10W			
1080		P	RESISTOR		R3266	1-216-833-11	METAL CHIP 10K 5% 1/10W			
1081		P	RESISTOR		R3267	1-216-833-11	METAL CHIP 10K 5% 1/10W			
1082		P	RESISTOR		R3268	1-216-833-11	METAL CHIP 10K 5% 1/10W			
1083		P	RESISTOR		R3269	1-216-809-11	METAL CHIP 100 5% 1/10W			
1084		P	RESISTOR		R3270	1-216-809-11	METAL CHIP 100 5% 1/10W			
1085		P	RESISTOR		R3272	1-216-833-11	METAL CHIP 10K 5% 1/10W			
1086		P	RESISTOR		R3273	1-216-833-11	METAL CHIP 10K 5% 1/10W			
1087		P	RESISTOR		R3274	1-216-833-11	METAL CHIP 10K 5% 1/10W			
1088		P	RESISTOR		R3276	1-216-864-11	SHORT CHIP 0			
1089		P	RESISTOR		R3277	1-216-833-11	METAL CHIP 10K 5% 1/10W			
1090		P	RESISTOR		R3301	1-218-847-11	METAL CHIP 1K 0.5% 1/10W			
1091		P	RESISTOR		R3302	1-218-858-11	METAL CHIP 3K 0.5% 1/10W			
1092		P	RESISTOR		R3303	1-218-885-11	METAL CHIP 39K 0.5% 1/10W			
1093		P	RESISTOR		R3306	1-216-864-11	SHORT CHIP 0			
1094		P	RESISTOR		R3307	1-216-864-11	SHORT CHIP 0			
1095		P	RESISTOR		R3309	1-216-864-11	SHORT CHIP 0			
1096		P	RESISTOR		R3310	1-216-864-11	SHORT CHIP 0			
1097		P	RESISTOR		R3314	1-216-805-11	METAL CHIP 47 5% 1/10W			
1098		P	RESISTOR		R3317	1-216-801-11	METAL CHIP 22 5% 1/10W			
1099		P	RESISTOR		R3319	1-216-833-11	METAL CHIP 10K 5% 1/10W			
1100		P	RESISTOR		R3320	1-216-864-11	SHORT CHIP 0			
1101		P	RESISTOR		R3322	1-216-864-11	SHORT CHIP 0			
1102		P	RESISTOR		R3323	1-216-864-11	SHORT CHIP 0			
1103		P	RESISTOR		R3401	1-216-864-11	SHORT CHIP 0			
1104		P	RESISTOR		R3403	1-216-864-11	SHORT CHIP 0			
1105		P	RESISTOR		R3405	1-216-864-11	SHORT CHIP 0			
1106		P	RESISTOR		R3407	1-216-864-11	SHORT CHIP 0			
1107		P	RESISTOR		R3409	1-216-811-11	METAL CHIP 150 5% 1/10W			
1108		P	RESISTOR		R3451	1-216-801-11	METAL CHIP 22 5% 1/10W			
1109		P	RESISTOR		R3501	1-216-801-11	METAL CHIP 22 5% 1/10W			
1110		P	RESISTOR		R3503	1-216-864-11	SHORT CHIP 0			
1111		P	RESISTOR		R3504	1-216-864-11	SHORT CHIP 0			
1112		P	RESISTOR		R3507	1-216-864-11	SHORT CHIP 0			
1113		P	RESISTOR		R3508	1-216-864-11	SHORT CHIP 0			
1114		P	RESISTOR		R3509	1-218-823-11	METAL CHIP 100 0.5% 1/10W			
1115		P	RESISTOR		R3511	1-216-864-11	SHORT CHIP 0			
1116		P	RESISTOR		R3512	1-216-833-11	METAL CHIP 10K 5% 1/10W			
1117		P	RESISTOR		R3513	1-216-833-11	METAL CHIP 10K 5% 1/10W			
1118		P	NETWORK		RB3101	1-233-785-91	RES, NETWORK 100 (1608)			

No.	#	Board	Type	△/*	Ref.No.	Part No.	Description	Remarks-1	Remarks-2	Difference
1119		P	NETWORK		RB3102	1-233-785-91	RES, NETWORK 100 (1608)			
1120		P	NETWORK		RB3103	1-234-370-21	RES, NETWORK 22X4 (1005)			
1121		P	NETWORK		RB3104	1-234-370-21	RES, NETWORK 22X4 (1005)			
1122		P	NETWORK		RB3105	1-234-370-21	RES, NETWORK 22X4 (1005)			
1123		P	NETWORK		RB3106	1-234-370-21	RES, NETWORK 22X4 (1005)			
1124		P	NETWORK		RB3107	1-234-370-21	RES, NETWORK 22X4 (1005)			
1125		P	NETWORK		RB3108	1-234-370-21	RES, NETWORK 22X4 (1005)			
1126		P	NETWORK		RB3109	1-234-370-21	RES, NETWORK 22X4 (1005)			
1127		P	NETWORK		RB3201	1-233-785-91	RES, NETWORK 100 (1608)			
1128		P	NETWORK		RB3202	1-233-576-11	RES, CHIP NETWORK 100			
1129		P	NETWORK		RB3203	1-233-576-11	RES, CHIP NETWORK 100			
1130		P	NETWORK		RB3204	1-233-576-11	RES, CHIP NETWORK 100			
1131		P	NETWORK		RB3205	1-233-785-91	RES, NETWORK 100 (1608)			
1132		P	NETWORK		RB3206	1-233-576-11	RES, CHIP NETWORK 100			
1133		P	NETWORK		RB3207	1-233-785-91	RES, NETWORK 100 (1608)			
1134		P	NETWORK		RB3208	1-233-576-11	RES, CHIP NETWORK 100			
1135		P	NETWORK		RB3209	1-236-908-11	RES, CHIP NETWORK 10K			
1136		P	NETWORK		RB3210	1-233-785-91	RES, NETWORK 100 (1608)			
1137		P	NETWORK		RB3211	1-233-576-11	RES, CHIP NETWORK 100			
1138		P	NETWORK		RB3212	1-236-908-11	RES, CHIP NETWORK 10K			
1139		P	NETWORK		RB3401	1-233-785-91	RES, NETWORK 100 (1608)			
1140		P	SWITCH		S3201	1-692-271-21	SWITCH, SLIDE			
1141		P	CHIP CHECKER		TP3101	1-535-757-11	CHIP, CHECKER			
1142		P	CHIP CHECKER		TP3102	1-535-757-11	CHIP, CHECKER			
1143		P	CHIP CHECKER		TP3103	1-535-757-11	CHIP, CHECKER			
1144		P	CHIP CHECKER		TP3201	1-535-757-11	CHIP, CHECKER			
1145		P	CHIP CHECKER		TP3202	1-535-757-11	CHIP, CHECKER			
1146		P	CHIP CHECKER		TP3203	1-535-757-11	CHIP, CHECKER			
1147		P	CHIP CHECKER		TP3204	1-535-757-11	CHIP, CHECKER			
1148		P	CHIP CHECKER		TP3205	1-535-757-11	CHIP, CHECKER			
1149		P	CHIP CHECKER		TP3206	1-535-757-11	CHIP, CHECKER			
1150		P	CHIP CHECKER		TP3207	1-535-757-11	CHIP, CHECKER			
1151		P	CHIP CHECKER		TP3209	1-535-757-11	CHIP, CHECKER			
1152		P	CHIP CHECKER		TP3210	1-535-757-11	CHIP, CHECKER			
1153		P	CHIP CHECKER		TP3401	1-535-757-11	CHIP, CHECKER			
1154		P	CHIP CHECKER		TP3501	1-535-757-11	CHIP, CHECKER			
1155		P	CHIP CHECKER		TP3502	1-535-757-11	CHIP, CHECKER			
1156		P	VARISTOR		VD3101	1-805-043-11	ABSORBER, CHIP SURGE			
1157		P	VARISTOR		VD3102	1-805-043-11	ABSORBER, CHIP SURGE			
1158		P	VARISTOR		VD3103	1-805-043-11	ABSORBER, CHIP SURGE			
1159		P	VARISTOR		VD3104	1-805-043-11	ABSORBER, CHIP SURGE			
1160		P	VARISTOR		VD3105	1-805-043-11	ABSORBER, CHIP SURGE			
1161		P	VARISTOR		VD3106	1-805-043-11	ABSORBER, CHIP SURGE			

No.	#	Board	Type	△/*	Ref.No.	Part No.	Descrption	Remarks-1	Remarks-2	Difference
1162		P	VARISTOR		VD3107	1-805-043-11	ABSORBER, CHIP SURGE			
1163		P	VARISTOR		VD3108	1-805-043-11	ABSORBER, CHIP SURGE			
1164		P	CRYSTAL		X3201	1-781-514-21	VIBRATOR, CRYSTAL			
1165		P	CRYSTAL		X3401	1-795-416-21	VIBRATOR, CRYSTAL			
1166		F	CAPACITOR		C601	1-161-830-00	CERAMIC 0.0047UF 99% 500V			
1167		F	CAPACITOR		C602	1-161-830-00	CERAMIC 0.0047UF 99% 500V			
1168		F	CAPACITOR		C603	1-161-830-00	CERAMIC 0.0047UF 99% 500V			
1169		F	CAPACITOR		C604	1-161-830-00	CERAMIC 0.0047UF 99% 500V			
1170		F	CAPACITOR		C605	1-107-679-91	ELECT 10UF 20.00% 450V			
1171		F	CAPACITOR		C607	1-101-821-00	CERAMIC 0.0022UF 500V			
1172		F	CAPACITOR		C608	1-164-004-11	CERAMIC CHIP 0.1UF 10.00% 25V			
1173		F	CAPACITOR		C609	1-107-533-11	MYLAR 1UF 20.00% 250V			
1174		F	CAPACITOR		C610	1-164-161-11	CERAMIC CHIP 0.0022UF 10.00% 50V			
1175		F	CAPACITOR		C611	1-107-533-11	MYLAR 1UF 20.00% 250V			
1176		F	CAPACITOR		C612	1-126-964-11	ELECT 10UF 20.00% 50V			
1177		F	CAPACITOR		C614	1-102-228-00	CERAMIC 470PF 10.00% 500V			
1178		F	CAPACITOR		C617	1-119-886-51	CERAMIC 470PF 10.00% 250V			
1179		F	CAPACITOR		C618	1-102-228-00	CERAMIC 470PF 10.00% 500V			
1180		F	CAPACITOR		C619	1-126-941-11	ELECT 470UF 20.00% 25V			
1181		F	CAPACITOR		C620	1-164-004-11	CERAMIC CHIP 0.1UF 10.00% 25V			
1182		F	CAPACITOR		C621	1-104-665-11	ELECT 100UF 20.00% 25V			
1183		F	CAPACITOR		C622	1-163-021-91	CERAMIC CHIP 0.01UF 10.00% 50V			
1184		F	CONNECTOR	*	CN601	1-580-843-11	PIN, CONNECTOR (POWER)			
1185		F	CONNECTOR	*	CN603	1-580-843-11	PIN, CONNECTOR (POWER)			
1186		F	CONNECTOR	*	CN604	1-564-705-11	PIN, CONNECTOR (SMALL TYPE) 3P			
1187		F	DIODE		D601	8-719-051-93	DIODE DF06M-6031			
1188		F	DIODE		D602	8-719-030-33	DIODE EG01CV1			
1189		F	DIODE		D603	8-719-063-74	DIODE D1NL20U-TR2			
1190		F	DIODE		D604	8-719-063-74	DIODE D1NL20U-TR2			
1191		F	DIODE		D605	8-719-041-97	DIODE MA113-(TX)			
1192		F	FUSE	△	F601	1-576-697-11	FUSE 15A 125V			
1193		F	IC		IC601	6-703-136-01	IC MIP2C20MP1SO			
1194		F	IC		IC602	8-759-198-31	IC UPC1093J-1-T			
1195		F	COIL		L602	1-412-525-31	INDUCTOR 10UH			
1196		F	PHOTO COUPLER		PH601	8-749-010-64	PHOTO COUPLER PC123F2			
1197		F	TRANSISTOR		Q601	8-729-023-22	TRANSISTOR 2SD2114K			
1198		F	RESISTOR		R601	1-218-642-11	METAL OXIDE 100K 5% 1W			
1199		F	RESISTOR		R602	1-219-759-11	METAL 1M 5% 1/2W			
1200		F	RESISTOR		R603	1-216-111-00	RES-CHIP 390K 5% 1/10W			
1201		F	RESISTOR		R604	1-249-402-11	CARBON 56 5% 1/4W			
1202		F	RESISTOR		R605	1-216-077-91	RES-CHIP 15K 5% 1/10W			
1203		F	RESISTOR		R606	1-216-017-91	RES-CHIP 47 5% 1/10W			
1204		F	RESISTOR		R607	1-216-041-00	RES-CHIP 470 5% 1/10W			

No.	#	Board	Type	△/*	Ref.No.	Part No.	Descrption	Remarks-1	Remarks-2	Difference
1205		F	RESISTOR		R608	1-216-081-00	RES-CHIP 22K 5% 1/10W			
1206		F	RESISTOR		R609	1-216-077-91	RES-CHIP 15K 5% 1/10W			
1207		F	RESISTOR		R610	1-216-065-91	RES-CHIP 4.7K 5% 1/10W			
1208		F	RESISTOR		R611	1-216-077-91	RES-CHIP 15K 5% 1/10W			
1209		F	RESISTOR		R614	1-216-360-11	METAL OXIDE 8.2 5% 1W			
1210		F	RELAY		RY601	1-755-266-11	RELAY, AC POWER			
1211		F	TRANSFORMER		T601	1-456-215-11	COIL, LINE FILTER			
1212		F	TRANSFORMER		T602	1-456-215-11	COIL, LINE FILTER			
1213		F	TRANSFORMER		T603	1-437-975-11	TRANSFORMER, STAND-BY			
1214		F	TRANSFORMER		T604	1-456-224-11	COIL, LINE FILTER			
1215		F	THERMISTOR		TH601	1-803-586-11	THERMISTOR, NTC			
1216		F	VARISTOR		VDR601	1-803-830-31	VARISTOR (ERZV14D621)			
1217		F	VARISTOR		VDR602	1-803-830-31	VARISTOR (ERZV14D621)			
1218		K	CAPACITOR		C3001	1-117-681-11	ELECT CHIP 100UF 20.00% 16V			
1219		K	CAPACITOR		C3002	1-125-891-11	CERAMIC CHIP 0.47UF 10.00% 10V			
1220		K	CAPACITOR		C3003	1-107-826-11	CERAMIC CHIP 0.1UF 10.00% 16V			
1221		K	CAPACITOR		C3004	1-107-826-11	CERAMIC CHIP 0.1UF 10.00% 16V			
1222		K	CAPACITOR		C3005	1-117-681-11	ELECT CHIP 100UF 20.00% 16V			
1223		K	CAPACITOR		C3006	1-107-826-11	CERAMIC CHIP 0.1UF 10.00% 16V			
1224		K	CAPACITOR		C3007	1-117-681-11	ELECT CHIP 100UF 20.00% 16V			
1225		K	CAPACITOR		C3008	1-162-918-11	CERAMIC CHIP 18PF 5.00% 50V			
1226		K	CAPACITOR		C3009	1-162-918-11	CERAMIC CHIP 18PF 5.00% 50V			
1227		K	CAPACITOR		C3010	1-165-176-11	CERAMIC CHIP 0.047UF 10.00% 16V			
1228		K	CAPACITOR		C3011	1-162-968-11	CERAMIC CHIP 0.0047UF 10.00% 50V			
1229		K	CAPACITOR		C3012	1-107-826-11	CERAMIC CHIP 0.1UF 10.00% 16V			
1230		K	CAPACITOR		C3013	1-107-826-11	CERAMIC CHIP 0.1UF 10.00% 16V			
1231		K	CAPACITOR		C3014	1-107-826-11	CERAMIC CHIP 0.1UF 10.00% 16V			
1232		K	CAPACITOR		C3015	1-117-681-11	ELECT CHIP 100UF 20.00% 16V			
1233		K	CAPACITOR		C3016	1-107-826-11	CERAMIC CHIP 0.1UF 10.00% 16V			
1234		K	CAPACITOR		C3017	1-107-826-11	CERAMIC CHIP 0.1UF 10.00% 16V			
1235		K	CAPACITOR		C3018	1-117-681-11	ELECT CHIP 100UF 20.00% 16V			
1236		K	CAPACITOR		C3021	1-117-681-11	ELECT CHIP 100UF 20.00% 16V			
1237		K	CAPACITOR		C3022	1-107-826-11	CERAMIC CHIP 0.1UF 10.00% 16V			
1238		K	CAPACITOR		C3023	1-107-826-11	CERAMIC CHIP 0.1UF 10.00% 16V			
1239		K	CAPACITOR		C3024	1-115-185-11	CERAMIC CHIP 0.033UF 10.00% 50V			
1240		K	CAPACITOR		C3025	1-115-185-11	CERAMIC CHIP 0.033UF 10.00% 50V			
1241		K	CAPACITOR		C3026	1-115-339-11	CERAMIC CHIP 0.1UF 10.00% 50V			
1242		K	CAPACITOR		C3027	1-137-980-91	CERAMIC CHIP 0.47UF 10% 50V			
1243		K	CAPACITOR		C3028	1-137-980-91	CERAMIC CHIP 0.47UF 10% 50V			
1244		K	CAPACITOR		C3029	1-115-339-11	CERAMIC CHIP 0.1UF 10.00% 50V			
1245		K	CAPACITOR		C3030	1-115-339-11	CERAMIC CHIP 0.1UF 10.00% 50V			
1246		K	CAPACITOR		C3031	1-163-037-11	CERAMIC CHIP 0.022UF 10.00% 50V			
1247		K	CAPACITOR		C3032	1-136-177-00	FILM 1UF 5.00% 50V			

No.	#	Board	Type	△/*	Ref.No.	Part No.	Descrption	Remarks-1	Remarks-2	Difference
1248		K	CAPACITOR		C3033	1-136-177-00	FILM 1UF 5.00% 50V			
1249		K	CAPACITOR		C3034	1-163-037-11	CERAMIC CHIP 0.022UF 10.00% 50V			
1250		K	CAPACITOR		C3035	1-119-938-51	ELECT 4700UF 20.00% 35V			
1251		K	CAPACITOR		C3036	1-119-938-51	ELECT 4700UF 20.00% 35V			
1252		K	CAPACITOR		C3037	1-119-938-51	ELECT 4700UF 20.00% 35V			
1253		K	CAPACITOR		C3038	1-162-963-11	CERAMIC CHIP 680PF 10.00% 50V			
1254		K	CAPACITOR		C3039	1-162-963-11	CERAMIC CHIP 680PF 10.00% 50V			
1255		K	CAPACITOR		C3042	1-126-200-11	ELECT CHIP 10UF 20.00% 35V			
1256		K	CAPACITOR		C3043	1-163-021-91	CERAMIC CHIP 0.01UF 10.00% 50V			
1257		K	CAPACITOR		C3044	1-163-021-91	CERAMIC CHIP 0.01UF 10.00% 50V			
1258		K	CAPACITOR		C3045	1-117-319-11	ELECT 4700UF 20.00% 25V			
1259		K	CAPACITOR		C3046	1-117-319-11	ELECT 4700UF 20.00% 25V			
1260		K	CAPACITOR		C3047	1-162-963-11	CERAMIC CHIP 680PF 10.00% 50V			
1261		K	CAPACITOR		C3048	1-162-963-11	CERAMIC CHIP 680PF 10.00% 50V			
1262		K	CAPACITOR		C3049	1-117-319-11	ELECT 4700UF 20.00% 25V			
1263		K	CAPACITOR		C3050	1-117-319-11	ELECT 4700UF 20.00% 25V			
1264		K	CAPACITOR		C3051	1-115-339-11	CERAMIC CHIP 0.1UF 10.00% 50V			
1265		K	CAPACITOR		C3052	1-107-826-11	CERAMIC CHIP 0.1UF 10.00% 16V			
1266		K	CAPACITOR		C3054	1-163-021-91	CERAMIC CHIP 0.01UF 10.00% 50V			
1267		K	CAPACITOR		C3055	1-163-021-91	CERAMIC CHIP 0.01UF 10.00% 50V			
1268		K	CAPACITOR		C3056	1-136-169-00	FILM 0.22UF 5.00% 50V			
1269		K	CAPACITOR		C3057	1-136-169-00	FILM 0.22UF 5.00% 50V			
1270		K	CAPACITOR		C3058	1-136-165-00	FILM 0.1UF 5.00% 50V			
1271		K	CAPACITOR		C3059	1-136-165-00	FILM 0.1UF 5.00% 50V			
1272		K	CAPACITOR		C3061	1-107-826-11	CERAMIC CHIP 0.1UF 10.00% 16V			
1273		K	CAPACITOR		C3062	1-107-826-11	CERAMIC CHIP 0.1UF 10.00% 16V			
1274		K	CAPACITOR		C3063	1-162-966-11	CERAMIC CHIP 0.0022UF 10.00% 50V			
1275		K	CAPACITOR		C3064	1-107-826-11	CERAMIC CHIP 0.1UF 10.00% 16V			
1276		K	CAPACITOR		C3065	1-128-006-11	ELECT CHIP 4.7UF 20.00% 25V			
1277		K	CAPACITOR		C3066	1-107-717-11	ELECT 47UF 20.00% 50V			
1278		K	CAPACITOR		C3067	1-126-948-11	ELECT 100UF 20.00% 35V			
1279		K	CONNECTOR	*	CN3001	1-779-268-21	PIN, CONNECTOR (1.5MM)(SMD)11P			
1280		K	CONNECTOR	*	CN3002	1-580-838-11	PIN, CONNECTOR (PC BOARD) 4P			
1281		K	CONNECTOR	*	CN3003	1-766-175-11	PIN, CONNECTOR (PC BOARD) 5P			
1282		K	DIODE		D3002	8-719-404-50	DIODE MA111-TX			
1283		K	DIODE		D3003	8-719-017-35	DIODE 02DZ22-TPH3			
1284		K	DIODE		D3004	8-719-041-97	DIODE MA113-(TX)			
1285		K	DIODE		D3005	8-719-041-97	DIODE MA113-(TX)			
1286		K	DIODE		D3006	8-719-041-97	DIODE MA113-(TX)			
1287		K	FUSE	△	F3001	1-576-458-21	FUSE 6.3A 63V			
1288		K	FUSE	△	F3002	1-576-458-21	FUSE 6.3A 63V			
1289		K	FUSE	△	F3003	1-576-458-21	FUSE 6.3A 63V			
1290		K	FERRITE		FB3001	1-414-229-11	FERRITE 0UH			

No.	#	Board	Type	△/*	Ref.No.	Part No.	Description	Remarks-1	Remarks-2	Difference
1291		K	FERRITE		FB3002	1-414-229-11	FERRITE 0UH			
1292		K	FERRITE		FB3003	1-414-229-11	FERRITE 0UH			
1293		K	FERRITE		FB3004	1-414-229-11	FERRITE 0UH			
1294		K	FERRITE		FB3005	1-414-229-11	FERRITE 0UH			
1295		K	FERRITE		FB3006	1-414-229-11	FERRITE 0UH			
1296		K	FERRITE		FB3008	1-414-864-11	FERRITE 0UH			
1297		K	IC		IC3001	6-702-979-01	IC AK4114VQ-L			
1298		K	IC		IC3002	6-702-986-01	IC TAS5001PFBR			
1299		K	IC		IC3003	6-702-980-01	IC TAS5101DAPR			
1300		K	IC		IC3004	8-759-548-99	IC SN74LV08APWR			
1301		K	COIL		L3001	1-412-537-31	INDUCTOR 100UH			
1302		K	COIL		L3002	1-469-555-21	INDUCTOR 10UH			
1303		K	COIL		L3003	1-469-555-21	INDUCTOR 10UH			
1304		K	COIL		L3004	1-456-177-11	INDUCTOR 22UH			
1305		K	COIL		L3005	1-456-177-11	INDUCTOR 22UH			
1306		K	COIL		L3006	1-406-659-11	INDUCTOR 10UH			
1307		K	TRANSISTOR		Q3001	8-729-928-90	TRANSISTOR DTC114EE			
1308		K	TRANSISTOR		Q3002	8-729-106-68	TRANSISTOR 2SD1615A-GP			
1309		K	TRANSISTOR		Q3003	8-729-230-49	TRANSISTOR 2SC2712-YG			
1310		K	TRANSISTOR		Q3004	8-729-026-49	TRANSISTOR 2SA1037AK-T146-R			
1311		K	TRANSISTOR		Q3005	8-729-230-49	TRANSISTOR 2SC2712-YG			
1312		K	TRANSISTOR		Q3006	8-729-230-49	TRANSISTOR 2SC2712-YG			
1313		K	TRANSISTOR		Q3007	8-729-106-68	TRANSISTOR 2SD1615A-GP			
1314		K	RESISTOR		R3001	1-216-864-11	SHORT CHIP 0			
1315		K	RESISTOR		R3002	1-216-817-11	METAL CHIP 470 5% 1/10W			
1316		K	RESISTOR		R3003	1-216-829-11	METAL CHIP 4.7K 5% 1/10W			
1317		K	RESISTOR		R3004	1-216-836-11	METAL CHIP 18K 5% 1/10W			
1318		K	RESISTOR		R3007	1-216-833-11	METAL CHIP 10K 5% 1/10W			
1319		K	RESISTOR		R3008	1-216-809-11	METAL CHIP 100 5% 1/10W			
1320		K	RESISTOR		R3009	1-216-809-11	METAL CHIP 100 5% 1/10W			
1321		K	RESISTOR		R3010	1-216-797-11	METAL CHIP 10 5% 1/10W			
1322		K	RESISTOR		R3011	1-216-797-11	METAL CHIP 10 5% 1/10W			
1323		K	RESISTOR		R3012	1-216-797-11	METAL CHIP 10 5% 1/10W			
1324		K	RESISTOR		R3013	1-216-797-11	METAL CHIP 10 5% 1/10W			
1325		K	RESISTOR		R3014	1-216-797-11	METAL CHIP 10 5% 1/10W			
1326		K	RESISTOR		R3015	1-216-813-11	METAL CHIP 220 5% 1/10W			
1327		K	RESISTOR		R3016	1-216-864-11	SHORT CHIP 0			
1328		K	RESISTOR		R3019	1-216-994-11	METAL CHIP 13K 5% 1/10W			
1329		K	RESISTOR		R3020	1-216-994-11	METAL CHIP 13K 5% 1/10W			
1330		K	RESISTOR		R3022	1-249-381-11	CARBON 1 5% 1/4W			
1331		K	RESISTOR		R3023	1-249-381-11	CARBON 1 5% 1/4W			
1332		K	RESISTOR		R3026	1-214-871-81	METAL 2K 1% 1/2W			
1333		K	RESISTOR		R3027	1-214-871-81	METAL 2K 1% 1/2W			

No.	#	Board	Type	△/*	Ref.No.	Part No.	Descrption	Remarks-1	Remarks-2	Difference
1334		K	RESISTOR		R3028	1-214-871-81	METAL 2K 1% 1/2W			
1335		K	RESISTOR		R3029	1-214-871-81	METAL 2K 1% 1/2W			
1336		K	RESISTOR		R3030	1-215-872-11	METAL OXIDE 3.3K 5% 1W			
1337		K	RESISTOR		R3031	1-216-308-00	RES-CHIP 4.7 5% 1/10W			
1338		K	RESISTOR		R3032	1-216-308-00	RES-CHIP 4.7 5% 1/10W			
1339		K	RESISTOR		R3033	1-216-308-00	RES-CHIP 4.7 5% 1/10W			
1340		K	RESISTOR		R3034	1-216-308-00	RES-CHIP 4.7 5% 1/10W			
1341		K	RESISTOR		R3035	1-214-871-81	METAL 2K 1% 1/2W			
1342		K	RESISTOR		R3036	1-214-871-81	METAL 2K 1% 1/2W			
1343		K	RESISTOR		R3037	1-216-864-11	SHORT CHIP 0			
1344		K	RESISTOR		R3038	1-216-797-11	METAL CHIP 10 5% 1/10W			
1345		K	RESISTOR		R3039	1-216-833-11	METAL CHIP 10K 5% 1/10W			
1346		K	RESISTOR		R3040	1-216-833-11	METAL CHIP 10K 5% 1/10W			
1347		K	RESISTOR		R3041	1-214-871-81	METAL 2K 1% 1/2W			
1348		K	RESISTOR		R3042	1-214-871-81	METAL 2K 1% 1/2W			
1349		K	RESISTOR		R3043	1-216-864-11	SHORT CHIP 0			
1350		K	RESISTOR		R3044	1-216-864-11	SHORT CHIP 0			
1351		K	RESISTOR		R3045	1-216-809-11	METAL CHIP 100 5% 1/10W			
1352		K	RESISTOR		R3046	1-216-809-11	METAL CHIP 100 5% 1/10W			
1353		K	RESISTOR		R3047	1-216-809-11	METAL CHIP 100 5% 1/10W			
1354		K	RESISTOR		R3048	1-216-809-11	METAL CHIP 100 5% 1/10W			
1355		K	RESISTOR		R3049	1-216-833-11	METAL CHIP 10K 5% 1/10W			
1356		K	RESISTOR		R3050	1-216-797-11	METAL CHIP 10 5% 1/10W			
1357		K	RESISTOR		R3051	1-216-864-11	SHORT CHIP 0			
1358		K	RESISTOR		R3052	1-216-797-11	METAL CHIP 10 5% 1/10W			
1359		K	RESISTOR		R3054	1-216-797-11	METAL CHIP 10 5% 1/10W			
1360		K	RESISTOR		R3060	1-216-829-11	METAL CHIP 4.7K 5% 1/10W			
1361		K	RESISTOR		R3061	1-260-304-51	CARBON 10 5% 1/2W			
1362		K	RESISTOR		R3062	1-260-304-51	CARBON 10 5% 1/2W			
1363		K	RESISTOR		R3063	1-216-158-00	RES-CHIP 22 5% 1/8W			
1364		K	RESISTOR		R3064	1-216-158-00	RES-CHIP 22 5% 1/8W			
1365		K	RESISTOR		R3069	1-216-295-91	SHORT CHIP 0			
1366		K	RESISTOR		R3070	1-216-864-11	SHORT CHIP 0			
1367		K	RESISTOR		R3071	1-216-864-11	SHORT CHIP 0			
1368		K	RESISTOR		R3072	1-216-833-11	METAL CHIP 10K 5% 1/10W			
1369		K	RESISTOR		R3073	1-216-833-11	METAL CHIP 10K 5% 1/10W			
1370		K	RESISTOR		R3074	1-216-821-11	METAL CHIP 1K 5% 1/10W			
1371		K	RESISTOR		R3075	1-216-821-11	METAL CHIP 1K 5% 1/10W			
1372		K	RESISTOR		R3076	1-216-841-11	METAL CHIP 47K 5% 1/10W			
1373		K	RESISTOR		R3077	1-216-841-11	METAL CHIP 47K 5% 1/10W			
1374		K	RESISTOR		R3078	1-216-841-11	METAL CHIP 47K 5% 1/10W			
1375		K	RESISTOR		R3079	1-216-809-11	METAL CHIP 100 5% 1/10W			
1376		K	RESISTOR		R3080	1-216-847-11	METAL CHIP 150K 5% 1/10W			

No.	#	Board	Type	△/*	Ref.No.	Part No.	Descrption	Remarks-1	Remarks-2	Difference
1377		K	RESISTOR		R3081	1-216-847-11	METAL CHIP 150K 5% 1/10W			
1378		K	RESISTOR		R3082	1-216-847-11	METAL CHIP 150K 5% 1/10W			
1379		K	RESISTOR		R3083	1-216-847-11	METAL CHIP 150K 5% 1/10W			
1380		K	RESISTOR		R3084	1-218-879-11	METAL CHIP 22K 0.5% 1/10W			
1381		K	RESISTOR		R3085	1-218-879-11	METAL CHIP 22K 0.5% 1/10W			
1382		K	CHIP CHECKER		TP3001	1-535-757-11	CHIP, CHECKER			
1383		K	CHIP CHECKER		TP3002	1-535-757-11	CHIP, CHECKER			
1384		K	CHIP CHECKER		TP3003	1-535-757-11	CHIP, CHECKER			
1385		K	CHIP CHECKER		TP3004	1-535-757-11	CHIP, CHECKER			
1386		K	CHIP CHECKER		TP3005	1-535-877-22	CHIP, CHECKER			
1387		K	CHIP CHECKER		TP3006	1-535-877-22	CHIP, CHECKER			
1388		K	CHIP CHECKER		TP3007	1-535-877-22	CHIP, CHECKER			
1389		K	CRYSTAL		X3001	1-795-420-21	VIBRATOR, CRYSTAL			
1390		F2	CAPACITOR		C651	1-163-009-91	CERAMIC CHIP 0.001UF 10.00% 50V			
1391		F2	CAPACITOR		C652	1-107-937-51	ELECT 1000UF 20.00% 100V			
1392		F2	CAPACITOR		C653	1-107-937-51	ELECT 1000UF 20.00% 100V			
1393		F2	CAPACITOR		C654	1-107-937-51	ELECT 1000UF 20.00% 100V			
1394		F2	CAPACITOR		C655	1-107-937-51	ELECT 1000UF 20.00% 100V			
1395		F2	CAPACITOR		C656	1-125-659-11	ELECT(BLOCK) 1000UF 20.00% 250V			
1396		F2	CAPACITOR		C657	1-125-659-11	ELECT(BLOCK) 1000UF 20.00% 250V			
1397		F2	CAPACITOR		C658	1-163-009-91	CERAMIC CHIP 0.001UF 10.00% 50V			
1398		F2	CONNECTOR		CN651	1-779-092-11	PIN, CONNECTOR (PC BOARD) 10P			
1399		F2	CONNECTOR		CN652	1-779-092-11	PIN, CONNECTOR (PC BOARD) 10P			
1400		F2	CONNECTOR	*	CN653	1-564-705-11	PIN, CONNECTOR (SMALL TYPE) 3P			
1401		F2	DIODE		D651	8-719-083-83	DIODE UDZS-TE17-15B			
1402		F2	DIODE		D652	8-719-083-83	DIODE UDZS-TE17-15B			
1403		F2	DIODE		D653	8-719-083-57	DIODE UDZSTE-173.6B			
1404		F2	DIODE		D654	8-719-083-57	DIODE UDZSTE-173.6B			
1405		F2	TRANSISTOR		Q651	8-729-044-42	TRANSISTOR IRFI644G-LF36			
1406		F2	TRANSISTOR		Q652	8-729-044-42	TRANSISTOR IRFI644G-LF36			
1407		F2	RESISTOR		R651	1-240-303-31	CEMENTED 0.22 5% 10W			
1408		F2	RESISTOR		R652	1-216-001-00	RES-CHIP 10 5% 1/10W			
1409		F2	RESISTOR		R653	1-202-962-11	CEMENTED 3.3 5% 10W			
1410		F2	RESISTOR		R654	1-216-001-00	RES-CHIP 10 5% 1/10W			
1411		F2	RESISTOR		R655	1-240-251-11	CEMENTED 6.8 5% 10W			
1412		F2	RESISTOR		R656	1-240-251-11	CEMENTED 6.8 5% 10W			
1413		F2	RESISTOR		R657	1-240-251-11	CEMENTED 6.8 5% 10W			
1414		F2	RESISTOR		R658	1-240-251-11	CEMENTED 6.8 5% 10W			
1415		F2	RESISTOR		R659	1-216-097-11	RES-CHIP 100K 5% 1/10W			
1416		F2	RESISTOR		R660	1-216-097-11	RES-CHIP 100K 5% 1/10W			
1417		A	CAPACITOR		C6001	1-104-665-11	ELECT 100UF 20.00% 25V			
1418		A	CAPACITOR		C6002	1-165-529-11	MYLAR 0.22UF 10 275V			
1419		A	CAPACITOR		C6003	1-126-934-11	ELECT 220UF 20.00% 16V			

No.	#	Board	Type	△/*	Ref.No.	Part No.	Descrption	Remarks-1	Remarks-2	Difference
1420		A	CAPACITOR		C6004	1-104-665-11	ELECT 100UF 20.00% 25V			
1421		A	CAPACITOR		C6005	1-165-528-11	MYLAR 0.1UF 10 275V			
1422		A	CAPACITOR		C6006	1-161-964-91	CERAMIC 0.0047UF 250V			
1423		A	CAPACITOR		C6007	1-161-964-91	CERAMIC 0.0047UF 250V			
1424		A	CAPACITOR		C6008	1-161-964-91	CERAMIC 0.0047UF 250V			
1425		A	CAPACITOR		C6009	1-161-964-91	CERAMIC 0.0047UF 250V			
1426		A	CAPACITOR		C6010	1-137-992-11	ELECT 1000UF 20% 250V			
1427		A	CAPACITOR		C6011	1-137-992-11	ELECT 1000UF 20% 250V			
1428		A	CAPACITOR		C6012	1-163-275-11	CERAMIC CHIP 0.001UF 5.00% 50V			
1429		A	CAPACITOR		C6013	1-136-479-11	FILM 0.001UF 5.00% 100V			
1430		A	CAPACITOR		C6014	1-163-021-91	CERAMIC CHIP 0.01UF 10.00% 50V			
1431		A	CAPACITOR		C6017	1-126-967-11	ELECT 47UF 20.00% 50V			
1432		A	CAPACITOR		C6018	1-126-963-11	ELECT 4.7UF 20.00% 50V			
1433		A	CAPACITOR		C6019	1-107-906-11	ELECT 10UF 20.00% 50V			
1434		A	CAPACITOR		C6022	1-130-495-00	MYLAR 0.1UF 5.00% 50V			
1435		A	CAPACITOR		C6023	1-126-947-11	ELECT 47UF 20.00% 35V			
1436		A	CAPACITOR		C6024	1-164-004-11	CERAMIC CHIP 0.1UF 10.00% 25V			
1437		A	CAPACITOR		C6025	1-107-662-11	ELECT 22UF 20.00% 350V			
1438		A	CAPACITOR		C6026	1-101-821-00	CERAMIC 0.0022UF 500V			
1439		A	CAPACITOR		C6027	1-107-824-11	CERAMIC 220PF 5.00% 1KV			
1440		A	CAPACITOR		C6028	1-107-824-11	CERAMIC 220PF 5.00% 1KV			
1441		A	CAPACITOR		C6029	1-126-964-11	ELECT 10UF 20.00% 50V			
1442		A	CAPACITOR		C6030	1-164-690-91	CERAMIC CHIP 0.0022UF 5.00% 50V			
1443		A	CAPACITOR		C6031	1-100-418-11	FILM 15000PF 3% 1KV			
1444		A	CAPACITOR		C6032	1-128-795-91	ELECT CHIP 470PF 10% 630V			
1445		A	CAPACITOR		C6033	1-107-894-11	ELECT 220UF 20.00% 35V			
1446		A	CAPACITOR		C6034	1-161-964-91	CERAMIC 0.0047UF 250V			
1447		A	CAPACITOR		C6035	1-161-964-91	CERAMIC 0.0047UF 250V			
1448		A	CAPACITOR		C6036	1-162-962-11	CERAMIC CHIP 470PF 10.00% 50V			
1449		A	CAPACITOR		C6037	1-126-967-11	ELECT 47UF 20.00% 50V			
1450		A	CAPACITOR		C6039	1-126-935-11	ELECT 470UF 20.00% 16V			
1451		A	CAPACITOR		C6040	1-128-582-11	ELECT 10UF 20.00% 100V			
1452		A	CAPACITOR		C6042	1-164-004-11	CERAMIC CHIP 0.1UF 10.00% 25V			
1453		A	CAPACITOR		C6043	1-126-926-11	ELECT 1000UF 20.00% 10V			
1454		A	CAPACITOR		C6044	1-137-991-21	ELECT 3900UF 20% 10V			
1455		A	CAPACITOR		C6046	1-104-665-11	ELECT 100UF 20.00% 25V			
1456		A	CAPACITOR		C6047	1-137-991-21	ELECT 3900UF 20% 10V			
1457		A	CAPACITOR		C6048	1-165-729-31	ELECT 470UF 20% 16V			
1458		A	CAPACITOR		C6049	1-136-169-00	FILM 0.22UF 5.00% 50V			
1459		A	CAPACITOR		C6050	1-164-004-11	CERAMIC CHIP 0.1UF 10.00% 25V			
1460		A	CAPACITOR		C6051	1-126-935-11	ELECT 470UF 20.00% 16V			
1461		A	CAPACITOR		C6052	1-126-947-11	ELECT 47UF 20.00% 35V			
1462		A	CAPACITOR		C6054	1-110-501-11	CERAMIC CHIP 0.33UF 10.00% 16V			

No.	#	Board	Type	△/*	Ref.No.	Part No.	Descrption	Remarks-1	Remarks-2	Difference
1463		A	CAPACITOR		C6055	1-110-501-11	CERAMIC CHIP 0.33UF 10.00% 16V			
1464		A	CAPACITOR		C6056	1-126-960-11	ELECT 1UF 20.00% 50V			
1465		A	CAPACITOR		C6057	1-126-947-11	ELECT 47UF 20.00% 35V			
1466		A	CAPACITOR		C6058	1-126-934-11	ELECT 220UF 20.00% 16V			
1467		A	CAPACITOR		C6059	1-126-934-11	ELECT 220UF 20.00% 16V			
1468		A	CAPACITOR		C6060	1-130-494-11	MYLAR 0.082UF 5.00% 50V			
1469		A	CAPACITOR		C6062	1-128-581-11	ELECT 4.7UF 20.00% 100V			
1470		A	CAPACITOR		C6064	1-130-497-00	MYLAR 0.15UF 5.00% 50V			
1471		A	CAPACITOR		C6070	1-119-888-51	CERAMIC 2200PF 20.00% 250V			
1472		A	CAPACITOR		C6071	1-119-888-51	CERAMIC 2200PF 20.00% 250V			
1473		A	CAPACITOR		C6107	1-164-156-11	CERAMIC CHIP 0.1UF 25V			
1474		A	CAPACITOR		C6200	1-128-407-11	ELECT CHIP 47UF 20.00% 50V			
1475		A	CAPACITOR		C6201	1-162-966-11	CERAMIC CHIP 0.0022UF 10.00% 50V			
1476		A	CAPACITOR		C6202	1-162-966-11	CERAMIC CHIP 0.0022UF 10.00% 50V			
1477		A	CAPACITOR		C6203	1-162-966-11	CERAMIC CHIP 0.0022UF 10.00% 50V			
1478		A	CAPACITOR		C6204	1-117-681-11	ELECT CHIP 100UF 20.00% 16V			
1479		A	CAPACITOR		C6205	1-117-681-11	ELECT CHIP 100UF 20.00% 16V			
1480		A	CAPACITOR		C6207	1-124-779-00	ELECT CHIP 10UF 20.00% 16V			
1481		A	CAPACITOR		C6208	1-117-681-11	ELECT CHIP 100UF 20.00% 16V			
1482		A	CAPACITOR		C6209	1-162-970-11	CERAMIC CHIP 0.01UF 10.00% 25V			
1483		A	CAPACITOR		C6210	1-162-966-11	CERAMIC CHIP 0.0022UF 10.00% 50V			
1484		A	CAPACITOR		C6211	1-127-804-91	CERAMIC CHIP 100PF 10% 50V			
1485		A	CAPACITOR		C6212	1-115-156-11	CERAMIC CHIP 1UF 10V			
1486		A	CAPACITOR		C6213	1-165-176-11	CERAMIC CHIP 0.047UF 10.00% 16V			
1487		A	CAPACITOR		C6214	1-162-961-11	CERAMIC CHIP 330PF 10.00% 50V			
1488		A	CAPACITOR		C6215	1-162-966-11	CERAMIC CHIP 0.0022UF 10.00% 50V			
1489		A	CAPACITOR		C6216	1-162-966-11	CERAMIC CHIP 0.0022UF 10.00% 50V			
1490		A	CAPACITOR		C6217	1-117-681-11	ELECT CHIP 100UF 20.00% 16V			
1491		A	CAPACITOR		C6218	1-117-681-11	ELECT CHIP 100UF 20.00% 16V			
1492		A	CAPACITOR		C6219	1-162-966-11	CERAMIC CHIP 0.0022UF 10.00% 50V			
1493		A	CAPACITOR		C6220	1-164-156-11	CERAMIC CHIP 0.1UF 25V			
1494		A	CAPACITOR		C6221	1-117-681-11	ELECT CHIP 100UF 20.00% 16V			
1495		A	CAPACITOR		C6222	1-126-947-11	ELECT 47UF 20.00% 35V			
1496		A	CAPACITOR		C6223	1-162-966-11	CERAMIC CHIP 0.0022UF 10.00% 50V			
1497		A	CAPACITOR		C6224	1-127-804-91	CERAMIC CHIP 100PF 10% 50V			
1498		A	CAPACITOR		C6225	1-115-156-11	CERAMIC CHIP 1UF 10V			
1499		A	CAPACITOR		C6226	1-107-778-11	ELECT CHIP 470UF 20.00% 16V			
1500		A	CAPACITOR		C6227	1-162-970-11	CERAMIC CHIP 0.01UF 10.00% 25V			
1501		A	CAPACITOR		C6228	1-124-779-00	ELECT CHIP 10UF 20.00% 16V			
1502		A	CAPACITOR		C6229	1-162-966-11	CERAMIC CHIP 0.0022UF 10.00% 50V			
1503		A	CAPACITOR		C6230	1-165-176-11	CERAMIC CHIP 0.047UF 10.00% 16V			
1504		A	CAPACITOR		C6231	1-162-961-11	CERAMIC CHIP 330PF 10.00% 50V			
1505		A	CAPACITOR		C6233	1-128-594-11	ELECT CHIP 1UF 20.00% 50V			

No.	#	Board	Type	△/*	Ref.No.	Part No.	Descrption	Remarks-1	Remarks-2	Difference
1506		A	CAPACITOR		C6234	1-128-594-11	ELECT CHIP 1UF 20.00% 50V			
1507		A	CAPACITOR		C6235	1-164-156-11	CERAMIC CHIP 0.1UF 25V			
1508		A	CAPACITOR		C6236	1-117-681-11	ELECT CHIP 100UF 20.00% 16V			
1509		A	CAPACITOR		C6239	1-163-021-91	CERAMIC CHIP 0.01UF 10.00% 50V			
1510		A	CAPACITOR		C6240	1-163-021-91	CERAMIC CHIP 0.01UF 10.00% 50V			
1511		A	CONNECTOR	*	CN6001	1-691-960-11	PIN, CONNECTOR (PC BOARD) 3P			
1512		A	CONNECTOR	*	CN6002	1-766-240-11	PIN, CONNECTOR (PC BOARD) 2P			
1513		A	CONNECTOR	*	CN6003	1-766-240-11	PIN, CONNECTOR (PC BOARD) 2P			
1514		A	CONNECTOR	*	CN6004	1-691-757-11	PIN, CONNECTOR (PC BOARD) 8P			
1515		A	CONNECTOR		CN6005	1-695-915-11	TAB (CONTACT)			
1516		A	CONNECTOR	*	CN6101	1-566-761-11	PIN, CONNECTOR (PC BOARD) 6P			
1517		A	CONNECTOR		CN6201	1-779-339-21	CONNECTOR, FFC/FPC 30P			
1518		A	CONNECTOR	*	CN6203	1-566-763-11	PIN, CONNECTOR (PC BOARD) 8P			
1519		A	CONNECTOR	*	CN6204	1-566-764-11	PIN, CONNECTOR (PC BOARD) 9P			
1520		A	CONNECTOR	*	CN6205	1-564-507-11	PLUG, CONNECTOR 4P			
1521		A	CONNECTOR	*	CN6210	1-566-767-11	PIN, CONNECTOR (PC BOARD) 12P			
1522		A	CONNECTOR		CN6211	1-794-052-21	FFC/FPC G96 (LIF(NON-ZIF))32P			
1523		A	CONNECTOR		CN6212	1-695-915-11	TAB (CONTACT)			
1524		A	DIODE		D6001	8-719-404-50	DIODE MA111-TX			
1525		A	DIODE		D6002	8-719-085-58	DIODE EC30HA03L-TE12L			
1526		A	DIODE		D6003	8-719-158-09	DIODE RD4.7SB2			
1527		A	DIODE		D6004	8-719-077-77	DIODE D3SB60F3			
1528		A	DIODE		D6005	8-719-068-00	DIODE ERC04-06SE			
1529		A	DIODE		D6006	8-719-068-00	DIODE ERC04-06SE			
1530		A	DIODE		D6007	8-719-510-43	DIODE S1WB60B			
1531		A	DIODE		D6008	8-719-979-64	DIODE UF4005PKG23			
1532		A	DIODE		D6009	8-719-510-48	DIODE D1N20R			
1533		A	DIODE		D6010	8-719-510-48	DIODE D1N20R			
1534		A	DIODE		D6011	8-719-948-45	DIODE ERA22-08			
1535		A	DIODE		D6012	8-719-510-48	DIODE D1N20R			
1536		A	DIODE		D6013	8-719-510-48	DIODE D1N20R			
1537		A	DIODE		D6014	8-719-404-50	DIODE MA111-TX			
1538		A	DIODE		D6015	8-719-063-73	DIODE D1NL20U-TR			
1539		A	DIODE		D6016	8-719-063-73	DIODE D1NL20U-TR			
1540		A	DIODE		D6017	8-719-041-97	DIODE MA113-(TX)			
1541		A	DIODE		D6018	8-719-063-73	DIODE D1NL20U-TR			
1542		A	DIODE		D6019	8-719-063-73	DIODE D1NL20U-TR			
1543		A	DIODE		D6020	8-719-510-39	DIODE D10LC20U			
1544		A	DIODE		D6021	8-719-063-73	DIODE D1NL20U-TR			
1545		A	DIODE		D6023	8-719-055-40	DIODE FCQ30A04			
1546		A	DIODE		D6024	8-719-055-40	DIODE FCQ30A04			
1547		A	DIODE		D6025	8-719-404-50	DIODE MA111-TX			
1548		A	DIODE		D6026	8-719-033-53	çfi µ ffi RD6.8SB2-T1			

No.	#	Board	Type	△/*	Ref.No.	Part No.	Descrption	Remarks-1	Remarks-2	Difference
1549		A	DIODE		D6027	8-719-404-50	DIODE MA111-TX			
1550		A	DIODE		D6028	8-719-041-97	DIODE MA113-(TX)			
1551		A	DIODE		D6029	8-719-404-50	DIODE MA111-TX			
1552		A	DIODE		D6030	8-719-404-50	DIODE MA111-TX			
1553		A	DIODE		D6031	8-719-404-50	DIODE MA111-TX			
1554		A	DIODE		D6032	8-719-983-37	DIODE MTZJ-T-77-36A			
1555		A	DIODE		D6035	8-719-158-55	DIODE RD15SB			
1556		A	DIODE		D6036	8-719-158-55	DIODE RD15SB			
1557		A	DIODE		D6101	8-719-404-50	DIODE MA111-TX			
1558		A	DIODE		D6102	8-719-404-50	DIODE MA111-TX			
1559		A	DIODE		D6205	8-719-158-02	DIODE RD3.9SB2			
1560		A	FUSE	△	F6001	1-576-231-11	FUSE 4A 250V			
1561		A	FERRITE		FB6001	1-410-396-41	FERRITE 0.45UH			
1562		A	FERRITE		FB6002	1-410-397-21	FERRITE 1.1UH			
1563		A	FERRITE		FB6003	1-410-397-21	FERRITE 1.1UH			
1564		A	FERRITE		FB6005	1-410-397-21	FERRITE 1.1UH			
1565		A	FERRITE		FB6006	1-410-397-21	FERRITE 1.1UH			
1566		A	FERRITE		FB6200	1-216-295-91	SHORT CHIP 0			
1567		A	FERRITE		FB6201	1-216-295-91	SHORT CHIP 0			
1568		A	FERRITE		FB6202	1-216-295-91	SHORT CHIP 0			
1569		A	FERRITE		FB6203	1-414-233-22	FERRITE 0UH			
1570		A	FERRITE		FB6204	1-414-233-22	FERRITE 0UH			
1571		A	FERRITE		FB6205	1-216-295-91	SHORT CHIP 0			
1572		A	FERRITE		FB6206	1-216-295-91	SHORT CHIP 0			
1573		A	FERRITE		FB6207	1-216-295-91	SHORT CHIP 0			
1574		A	FERRITE		FB6208	1-216-295-91	SHORT CHIP 0			
1575		A	FERRITE		FB6209	1-414-233-22	FERRITE 0UH			
1576		A	FERRITE		FB6210	1-414-233-22	FERRITE 0UH			
1577		A	FERRITE		FB6211	1-216-295-91	SHORT CHIP 0			
1578		A	FERRITE		FB6212	1-216-295-91	SHORT CHIP 0			
1579		A	FUSE HOLDER		FH6001	1-533-223-11	FUSE HOLDER 0A 0V			
1580		A	FUSE HOLDER		FH6002	1-533-223-11	FUSE HOLDER 0A 0V			
1581		A	IC		IC6001	8-759-640-19	IC PQ1CG2032FZ			
1582		A	IC		IC6002	8-759-670-30	IC MCZ3001D			
1583		A	IC		IC6003	6-703-136-01	IC MIP2C20MP1SO			
1584		A	IC		IC6004	8-759-198-31	IC UPC1093J-1-T			
1585		A	IC		IC6005	8-759-198-31	IC UPC1093J-1-T			
1586		A	IC		IC6006	6-700-898-01	IC PQ05RD21			
1587		A	IC		IC6007	8-759-459-99	IC PQ09RD11			
1588		A	IC		IC6008	8-759-009-51	IC MC14538BF			
1589		A	IC		IC6200	8-752-072-94	IC CXA1875AM-T4			
1590		A	COIL		L6001	1-419-249-11	INDUCTOR 15UH			
1591		A	COIL		L6002	1-412-525-31	INDUCTOR 10UH			

No.	#	Board	Type	△ /*	Ref.No.	Part No.	Description	Remarks-1	Remarks-2	Difference
1592		A	COIL		L6004	1-412-521-31	INDUCTOR 4.7UH			
1593		A	COIL		L6005	1-412-521-31	INDUCTOR 4.7UH			
1594		A	COIL		L6006	1-412-525-31	INDUCTOR 10UH			
1595		A	COIL		L6007	1-412-521-31	INDUCTOR 4.7UH			
1596		A	COIL		L6008	1-412-525-31	INDUCTOR 10UH			
1597		A	COIL		L6009	1-412-525-31	INDUCTOR 10UH			
1598		A	COIL		L6200	1-416-510-21	INDUCTOR 100UH			
1599		A	COIL		L6201	1-416-510-21	INDUCTOR 100UH			
1600		A	COIL		L6202	1-416-344-11	INDUCTOR 10UH			
1601		A	COIL		L6203	1-416-510-21	INDUCTOR 100UH			
1602		A	COIL		L6204	1-416-510-21	INDUCTOR 100UH			
1603		A	COIL		L6205	1-416-344-11	INDUCTOR 10UH			
1604		A	COIL		L6206	1-416-510-21	INDUCTOR 100UH			
1605		A	PHOTO COUPLER		PH6001	8-749-016-81	PHOTO COUPLER PC123Y22			
1606		A	PHOTO COUPLER		PH6002	8-749-924-35	PHOTO COUPLER ON3171-R			
1607		A	PHOTO COUPLER		PH6003	8-749-924-35	PHOTO COUPLER ON3171-R			
1608		A	FUSE	△	PS6001	1-576-607-11	FUSE 6.3A 125V			
1609		A	FUSE	△	PS6002	1-576-607-11	FUSE 6.3A 125V			
1610		A	TRANSISTOR		Q6001	8-729-900-53	TRANSISTOR DTC114EK			
1611		A	TRANSISTOR		Q6002	8-729-422-33	TRANSISTOR 2SD601A-Q-TX			
1612		A	TRANSISTOR		Q6003	8-729-052-32	TRANSISTOR IRFIB7N50A-LF31			
1613		A	TRANSISTOR		Q6004	8-729-052-32	TRANSISTOR IRFIB7N50A-LF31			
1614		A	TRANSISTOR		Q6006	8-729-422-33	TRANSISTOR 2SD601A-Q-TX			
1615		A	TRANSISTOR		Q6009	8-729-216-22	TRANSISTOR 2SA1162-G			
1616		A	TRANSISTOR		Q6010	8-729-023-22	TRANSISTOR 2SD2114K			
1617		A	TRANSISTOR		Q6011	1-801-806-11	TR DTC144EKA			
1618		A	TRANSISTOR		Q6012	8-729-422-33	TRANSISTOR 2SD601A-Q-TX			
1619		A	TRANSISTOR		Q6013	8-729-216-22	TRANSISTOR 2SA1162-G			
1620		A	TRANSISTOR		Q6014	8-729-140-96	TRANSISTOR 2SD774-34			
1621		A	TRANSISTOR		Q6200	8-729-422-29	TRANSISTOR 2SD601A-S			
1622		A	TRANSISTOR		Q6201	8-729-216-22	TRANSISTOR 2SA1162-G			
1623		A	TRANSISTOR		Q6202	8-729-422-29	TRANSISTOR 2SD601A-S			
1624		A	TRANSISTOR		Q6203	8-729-422-29	TRANSISTOR 2SD601A-S			
1625		A	TRANSISTOR		Q6204	8-729-216-22	TRANSISTOR 2SA1162-G			
1626		A	TRANSISTOR		Q6205	8-729-422-29	TRANSISTOR 2SD601A-S			
1627		A	TRANSISTOR		Q6206	8-729-422-29	TRANSISTOR 2SD601A-S			
1628		A	TRANSISTOR		Q6207	8-729-422-29	TRANSISTOR 2SD601A-S			
1629		A	RESISTOR		R6001	1-216-842-11	METAL CHIP 56K 5% 1/10W			
1630		A	RESISTOR		R6002	1-216-841-11	METAL CHIP 47K 5% 1/10W			
1631		A	RESISTOR		R6003	1-260-135-11	CARBON 1M 5% 1/2W			
1632		A	RESISTOR		R6004	1-218-702-11	METAL CHIP 2.7K 0.5% 1/10W			
1633		A	RESISTOR		R6005	1-218-708-11	METAL CHIP 4.7K 0.5% 1/10W			
1634		A	RESISTOR		R6006	1-216-841-11	METAL CHIP 47K 5% 1/10W			

No.	#	Board	Type	△/*	Ref.No.	Part No.	Descrption	Remarks-1	Remarks-2	Difference
1635		A	RESISTOR		R6007	1-202-962-11	CEMENTED 3.3 5% 10W			
1636		A	RESISTOR		R6008	1-216-821-11	METAL CHIP 1K 5% 1/10W			
1637		A	RESISTOR		R6009	1-220-926-81	FUSIBLE 0.47 10% 1/2W			
1638		A	RESISTOR		R6010	1-218-668-11	METAL CHIP 100 0.5% 1/10W			
1639		A	RESISTOR		R6011	1-218-720-11	METAL CHIP 15K 0.5% 1/10W			
1640		A	RESISTOR		R6012	1-218-720-11	METAL CHIP 15K 0.5% 1/10W			
1641		A	RESISTOR		R6014	1-535-303-00	LEAD, JUMPER (5.0MM)			
1642		A	RESISTOR		R6015	1-535-303-00	LEAD, JUMPER (5.0MM)			
1643		A	RESISTOR		R6016	1-245-480-21	METAL 560K 1% 1/4W			
1644		A	RESISTOR		R6017	1-218-668-11	METAL CHIP 100 0.5% 1/10W			
1645		A	RESISTOR		R6018	1-249-417-11	CARBON 1K 5% 1/4W			
1646		A	RESISTOR		R6019	1-249-393-11	CARBON 10 5% 1/4W			
1647		A	RESISTOR		R6020	1-249-393-11	CARBON 10 5% 1/4W			
1648		A	RESISTOR		R6021	1-249-397-11	CARBON 22 5% 1/4W			
1649		A	RESISTOR		R6022	1-216-833-11	METAL CHIP 10K 5% 1/10W			
1650		A	RESISTOR		R6023	1-216-833-11	METAL CHIP 10K 5% 1/10W			
1651		A	RESISTOR		R6024	1-249-397-11	CARBON 22 5% 1/4W			
1652		A	RESISTOR		R6025	1-218-642-11	METAL OXIDE 100K 5% 1W			
1653		A	RESISTOR		R6026	1-216-852-11	METAL CHIP 390K 5% 1/10W			
1654		A	RESISTOR		R6027	1-249-397-11	CARBON 22 5% 1/4W			
1655		A	RESISTOR		R6028	1-243-979-71	METAL OXIDE 0.1 5% 2W			
1656		A	RESISTOR		R6029	1-249-393-11	CARBON 10 5% 1/4W			
1657		A	RESISTOR		R6030	1-216-835-11	METAL CHIP 15K 5% 1/10W			
1658		A	RESISTOR		R6031	1-216-817-11	METAL CHIP 470 5% 1/10W			
1659		A	RESISTOR		R6032	1-247-289-00	CARBON 8.2M 5% 1W			
1660		A	RESISTOR		R6033	1-216-821-11	METAL CHIP 1K 5% 1/10W			
1661		A	RESISTOR		R6034	1-249-417-11	CARBON 1K 5% 1/4W			
1662		A	RESISTOR		R6035	1-218-724-11	METAL CHIP 22K 0.5% 1/10W			
1663		A	RESISTOR		R6037	1-216-805-11	METAL CHIP 47 5% 1/10W			
1664		A	RESISTOR		R6038	1-216-041-00	RES-CHIP 470 5% 1/10W			
1665		A	RESISTOR		R6039	1-216-845-11	METAL CHIP 100K 5% 1/10W			
1666		A	RESISTOR		R6040	1-218-724-11	METAL CHIP 22K 0.5% 1/10W			
1667		A	RESISTOR		R6041	1-216-829-11	METAL CHIP 4.7K 5% 1/10W			
1668		A	RESISTOR		R6043	1-216-821-11	METAL CHIP 1K 5% 1/10W			
1669		A	RESISTOR		R6045	1-216-845-11	METAL CHIP 100K 5% 1/10W			
1670		A	RESISTOR		R6048	1-216-821-11	METAL CHIP 1K 5% 1/10W			
1671		A	RESISTOR		R6049	1-216-821-11	METAL CHIP 1K 5% 1/10W			
1672		A	RESISTOR		R6050	1-216-821-11	METAL CHIP 1K 5% 1/10W			
1673		A	RESISTOR		R6051	1-218-708-11	METAL CHIP 4.7K 0.5% 1/10W			
1674		A	RESISTOR		R6052	1-218-712-11	METAL CHIP 6.8K 0.5% 1/10W			
1675		A	RESISTOR		R6053	1-249-405-11	CARBON 100 5% 1/4W			
1676		A	RESISTOR		R6054	1-216-833-11	METAL CHIP 10K 5% 1/10W			
1677		A	RESISTOR		R6055	1-249-405-11	CARBON 100 5% 1/4W			

No.	#	Board	Type	△/*	Ref.No.	Part No.	Descrption	Remarks-1	Remarks-2	Difference
1678		A	RESISTOR		R6056	1-216-833-11	METAL CHIP 10K 5% 1/10W			
1679		A	RESISTOR		R6057	1-216-821-11	METAL CHIP 1K 5% 1/10W			
1680		A	RESISTOR		R6058	1-216-809-11	METAL CHIP 100 5% 1/10W			
1681		A	RESISTOR		R6059	1-216-841-11	METAL CHIP 47K 5% 1/10W			
1682		A	RESISTOR		R6060	1-216-841-11	METAL CHIP 47K 5% 1/10W			
1683		A	RESISTOR		R6061	1-216-857-11	METAL CHIP 1M 5% 1/10W			
1684		A	RESISTOR		R6062	1-216-833-11	METAL CHIP 10K 5% 1/10W			
1685		A	RESISTOR		R6063	1-249-393-11	CARBON 10 5% 1/4W			
1686		A	RESISTOR		R6064	1-216-833-11	METAL CHIP 10K 5% 1/10W			
1687		A	RESISTOR		R6065	1-216-833-11	METAL CHIP 10K 5% 1/10W			
1688		A	RESISTOR		R6068	1-216-857-11	METAL CHIP 1M 5% 1/10W			
1689		A	RESISTOR		R6074	1-260-131-11	CARBON 470K 5% 1/2W			
1690		A	RESISTOR		R6075	1-260-131-11	CARBON 470K 5% 1/2W			
1691		A	RESISTOR		R6081	1-245-477-21	METAL 430K 1% 1/4W			
1692		A	RESISTOR		R6107	1-216-845-11	METAL CHIP 100K 5% 1/10W			
1693		A	RESISTOR		R6108	1-216-833-11	METAL CHIP 10K 5% 1/10W			
1694		A	RESISTOR		R6109	1-216-833-11	METAL CHIP 10K 5% 1/10W			
1695		A	RESISTOR		R6200	1-216-825-11	METAL CHIP 2.2K 5% 1/10W			
1696		A	RESISTOR		R6201	1-216-805-11	METAL CHIP 47 5% 1/10W			
1697		A	RESISTOR		R6202	1-216-805-11	METAL CHIP 47 5% 1/10W			
1698		A	RESISTOR		R6204	1-216-864-11	SHORT CHIP 0			
1699		A	RESISTOR		R6205	1-216-839-11	METAL CHIP 33K 5% 1/10W			
1700		A	RESISTOR		R6206	1-216-837-11	METAL CHIP 22K 5% 1/10W			
1701		A	RESISTOR		R6207	1-216-825-11	METAL CHIP 2.2K 5% 1/10W			
1702		A	RESISTOR		R6208	1-216-847-11	METAL CHIP 150K 5% 1/10W			
1703		A	RESISTOR		R6209	1-216-833-11	METAL CHIP 10K 5% 1/10W			
1704		A	RESISTOR		R6210	1-216-829-11	METAL CHIP 4.7K 5% 1/10W			
1705		A	RESISTOR		R6211	1-216-833-11	METAL CHIP 10K 5% 1/10W			
1706		A	RESISTOR		R6212	1-216-857-11	METAL CHIP 1M 5% 1/10W			
1707		A	RESISTOR		R6213	1-216-847-11	METAL CHIP 150K 5% 1/10W			
1708		A	RESISTOR		R6214	1-216-823-11	METAL CHIP 1.5K 5% 1/10W			
1709		A	RESISTOR		R6215	1-216-813-11	METAL CHIP 220 5% 1/10W			
1710		A	RESISTOR		R6216	1-216-825-11	METAL CHIP 2.2K 5% 1/10W			
1711		A	RESISTOR		R6217	1-216-805-11	METAL CHIP 47 5% 1/10W			
1712		A	RESISTOR		R6218	1-216-805-11	METAL CHIP 47 5% 1/10W			
1713		A	RESISTOR		R6219	1-216-864-11	SHORT CHIP 0			
1714		A	RESISTOR		R6221	1-216-833-11	METAL CHIP 10K 5% 1/10W			
1715		A	RESISTOR		R6222	1-216-829-11	METAL CHIP 4.7K 5% 1/10W			
1716		A	RESISTOR		R6223	1-216-864-11	SHORT CHIP 0			
1717		A	RESISTOR		R6224	1-216-827-11	METAL CHIP 3.3K 5% 1/10W			
1718		A	RESISTOR		R6225	1-216-833-11	METAL CHIP 10K 5% 1/10W			
1719		A	RESISTOR		R6226	1-216-847-11	METAL CHIP 150K 5% 1/10W			
1720		A	RESISTOR		R6227	1-216-837-11	METAL CHIP 22K 5% 1/10W			

No.	#	Board	Type	△/*	Ref.No.	Part No.	Descrption	Remarks-1	Remarks-2	Difference
1721		A	RESISTOR		R6228	1-216-839-11	METAL CHIP 33K 5% 1/10W			
1722		A	RESISTOR		R6229	1-216-857-11	METAL CHIP 1M 5% 1/10W			
1723		A	RESISTOR		R6230	1-216-847-11	METAL CHIP 150K 5% 1/10W			
1724		A	RESISTOR		R6231	1-216-823-11	METAL CHIP 1.5K 5% 1/10W			
1725		A	RESISTOR		R6232	1-216-864-11	SHORT CHIP 0			
1726		A	RESISTOR		R6233	1-216-821-11	METAL CHIP 1K 5% 1/10W			
1727		A	RESISTOR		R6234	1-216-864-11	SHORT CHIP 0			
1728		A	RESISTOR		R6235	1-216-825-11	METAL CHIP 2.2K 5% 1/10W			
1729		A	RESISTOR		R6236	1-216-809-11	METAL CHIP 100 5% 1/10W			
1730		A	RESISTOR		R6237	1-216-833-11	METAL CHIP 10K 5% 1/10W			
1731		A	RESISTOR		R6238	1-216-833-11	METAL CHIP 10K 5% 1/10W			
1732		A	RESISTOR		R6239	1-216-864-11	SHORT CHIP 0			
1733		A	RESISTOR		R6240	1-216-833-11	METAL CHIP 10K 5% 1/10W			
1734		A	RESISTOR		R6241	1-216-809-11	METAL CHIP 100 5% 1/10W			
1735		A	RESISTOR		R6242	1-216-809-11	METAL CHIP 100 5% 1/10W			
1736		A	RESISTOR		R6243	1-216-833-11	METAL CHIP 10K 5% 1/10W			
1737		A	RESISTOR		R6245	1-216-805-11	METAL CHIP 47 5% 1/10W			
1738		A	RESISTOR		R6246	1-216-805-11	METAL CHIP 47 5% 1/10W			
1739		A	RESISTOR		R6247	1-216-833-11	METAL CHIP 10K 5% 1/10W			
1740		A	RESISTOR		R6248	1-216-833-11	METAL CHIP 10K 5% 1/10W			
1741		A	RESISTOR		R6249	1-216-833-11	METAL CHIP 10K 5% 1/10W			
1742		A	RESISTOR		R6250	1-216-833-11	METAL CHIP 10K 5% 1/10W			
1743		A	RESISTOR		R6251	1-216-825-11	METAL CHIP 2.2K 5% 1/10W			
1744		A	RESISTOR		R6252	1-216-864-11	SHORT CHIP 0			
1745		A	RESISTOR		R6253	1-216-864-11	SHORT CHIP 0			
1746		A	RELAY		RY6001	1-755-407-11	RELAY (AC POWER)			
1747		A	TRANSFORMER		T6001	1-431-419-21	TRANSFORMER, LINE FILTER			
1748		A	TRANSFORMER		T6002	1-437-972-11	DC-DC CONVERTER TRANSFORMER			
1749		A	TRANSFORMER		T6003	1-437-975-11	TRANSFORMER, STAND-BY			
1750		A	THERMISTOR		TH6001	1-803-586-41	THERMISTOR			
1751		A	TUNER		TU6200	8-598-594-10	TUNER, FSS BTF-FA421			
1752		A	TUNER		TU6201	8-598-593-20	TUNER, FSS BTF-WA421			
1753		A	VARISTOR		VD6001	1-803-585-11	VARISTOR ENE271D-10A			
1754		A	VARISTOR		VD6002	1-803-585-11	VARISTOR ENE271D-10A			
1755		M	CAPACITOR		C4805	1-162-970-11	CERAMIC CHIP 0.01UF 10.00% 25V			
1756		M	CAPACITOR		C4806	1-162-970-11	CERAMIC CHIP 0.01UF 10.00% 25V			
1757		M	CAPACITOR		C4807	1-162-970-11	CERAMIC CHIP 0.01UF 10.00% 25V			
1758		M	CAPACITOR		C4808	1-107-826-11	CERAMIC CHIP 0.1UF 10.00% 16V			
1759		M	CAPACITOR		C4809	1-126-205-11	ELECT CHIP 47UF 20.00% 6.3V			
1760		M	CAPACITOR		C4810	1-107-826-11	CERAMIC CHIP 0.1UF 10.00% 16V			
1761		M	CAPACITOR		C4811	1-126-205-11	ELECT CHIP 47UF 20.00% 6.3V			
1762		M	CAPACITOR		C4812	1-107-826-11	CERAMIC CHIP 0.1UF 10.00% 16V			
1763		M	CAPACITOR		C4813	1-126-205-11	ELECT CHIP 47UF 20.00% 6.3V			

No.	#	Board	Type	△/*	Ref.No.	Part No.	Description	Remarks-1	Remarks-2	Difference
1764		M	CAPACITOR		C4816	1-162-970-11	CERAMIC CHIP 0.01UF 10.00% 25V			
1765		M	CAPACITOR		C4817	1-162-970-11	CERAMIC CHIP 0.01UF 10.00% 25V			
1766		M	CAPACITOR		C4900	1-164-156-11	CERAMIC CHIP 0.1UF 25V			
1767		M	CAPACITOR		C4901	1-164-156-11	CERAMIC CHIP 0.1UF 25V			
1768		M	CAPACITOR		C4902	1-126-204-11	ELECT CHIP 47UF 20.00% 16V			
1769		M	CAPACITOR		C4903	1-126-204-11	ELECT CHIP 47UF 20.00% 16V			
1770		M	CAPACITOR		C4904	1-162-964-11	CERAMIC CHIP 0.001UF 10.00% 50V			
1771		M	CAPACITOR		C4905	1-107-826-11	CERAMIC CHIP 0.1UF 10.00% 16V			
1772		M	CAPACITOR		C4906	1-162-970-11	CERAMIC CHIP 0.01UF 10.00% 25V			
1773		M	CAPACITOR		C4907	1-162-970-11	CERAMIC CHIP 0.01UF 10.00% 25V			
1774		M	CAPACITOR		C4908	1-107-826-11	CERAMIC CHIP 0.1UF 10.00% 16V			
1775		M	CAPACITOR		C4909	1-162-964-11	CERAMIC CHIP 0.001UF 10.00% 50V			
1776		M	CAPACITOR		C4910	1-117-681-11	ELECT CHIP 100UF 20.00% 16V			
1777		M	CAPACITOR		C4911	1-128-416-11	ELECT CHIP 100UF 20.00% 16V			
1778		M	CAPACITOR		C4912	1-162-970-11	CERAMIC CHIP 0.01UF 10.00% 25V			
1779		M	CAPACITOR		C4913	1-162-970-11	CERAMIC CHIP 0.01UF 10.00% 25V			
1780		M	CAPACITOR		C4914	1-107-826-11	CERAMIC CHIP 0.1UF 10.00% 16V			
1781		M	CAPACITOR		C4915	1-164-156-11	CERAMIC CHIP 0.1UF 25V			
1782		M	CAPACITOR		C4916	1-162-970-11	CERAMIC CHIP 0.01UF 10.00% 25V			
1783		M	CAPACITOR		C4917	1-162-970-11	CERAMIC CHIP 0.01UF 10.00% 25V			
1784		M	CAPACITOR		C4918	1-126-204-11	ELECT CHIP 47UF 20.00% 16V			
1785		M	CAPACITOR		C4919	1-126-204-11	ELECT CHIP 47UF 20.00% 16V			
1786		M	CAPACITOR		C4920	1-107-826-11	CERAMIC CHIP 0.1UF 10.00% 16V			
1787		M	CAPACITOR		C4921	1-162-970-11	CERAMIC CHIP 0.01UF 10.00% 25V			
1788		M	CAPACITOR		C4922	1-162-964-11	CERAMIC CHIP 0.001UF 10.00% 50V			
1789		M	CAPACITOR		C4923	1-126-204-11	ELECT CHIP 47UF 20.00% 16V			
1790		M	CAPACITOR		C4924	1-107-826-11	CERAMIC CHIP 0.1UF 10.00% 16V			
1791		M	CAPACITOR		C4925	1-162-967-11	CERAMIC CHIP 0.0033UF 10.00% 50V			
1792		M	CAPACITOR		C4926	1-162-970-11	CERAMIC CHIP 0.01UF 10.00% 25V			
1793		M	CAPACITOR		C4927	1-162-970-11	CERAMIC CHIP 0.01UF 10.00% 25V			
1794		M	CAPACITOR		C4928	1-162-970-11	CERAMIC CHIP 0.01UF 10.00% 25V			
1795		M	CAPACITOR		C4929	1-162-970-11	CERAMIC CHIP 0.01UF 10.00% 25V			
1796		M	CAPACITOR		C4930	1-162-970-11	CERAMIC CHIP 0.01UF 10.00% 25V			
1797		M	CAPACITOR		C4931	1-162-970-11	CERAMIC CHIP 0.01UF 10.00% 25V			
1798		M	CAPACITOR		C4932	1-162-970-11	CERAMIC CHIP 0.01UF 10.00% 25V			
1799		M	CAPACITOR		C4933	1-164-360-11	CERAMIC CHIP 0.1UF 16V			
1800		M	CAPACITOR		C4934	1-162-970-11	CERAMIC CHIP 0.01UF 10.00% 25V			
1801		M	CAPACITOR		C4935	1-162-970-11	CERAMIC CHIP 0.01UF 10.00% 25V			
1802		M	CAPACITOR		C4936	1-162-970-11	CERAMIC CHIP 0.01UF 10.00% 25V			
1803		M	CAPACITOR		C4937	1-162-970-11	CERAMIC CHIP 0.01UF 10.00% 25V			
1804		M	CAPACITOR		C4938	1-162-970-11	CERAMIC CHIP 0.01UF 10.00% 25V			
1805		M	CAPACITOR		C4939	1-162-970-11	CERAMIC CHIP 0.01UF 10.00% 25V			
1806		M	CAPACITOR		C4940	1-162-970-11	CERAMIC CHIP 0.01UF 10.00% 25V			

No.	#	Board	Type	△/*	Ref.No.	Part No.	Description	Remarks-1	Remarks-2	Difference
1807		M	CAPACITOR		C4941	1-162-970-11	CERAMIC CHIP 0.01UF 10.00% 25V			
1808		M	CAPACITOR		C4942	1-162-970-11	CERAMIC CHIP 0.01UF 10.00% 25V			
1809		M	CAPACITOR		C4943	1-162-970-11	CERAMIC CHIP 0.01UF 10.00% 25V			
1810		M	CAPACITOR		C4944	1-162-970-11	CERAMIC CHIP 0.01UF 10.00% 25V			
1811		M	CAPACITOR		C4945	1-162-970-11	CERAMIC CHIP 0.01UF 10.00% 25V			
1812		M	CAPACITOR		C4946	1-162-970-11	CERAMIC CHIP 0.01UF 10.00% 25V			
1813		M	CAPACITOR		C4947	1-162-970-11	CERAMIC CHIP 0.01UF 10.00% 25V			
1814		M	CAPACITOR		C4948	1-162-970-11	CERAMIC CHIP 0.01UF 10.00% 25V			
1815		M	CAPACITOR		C4949	1-162-970-11	CERAMIC CHIP 0.01UF 10.00% 25V			
1816		M	CAPACITOR		C4950	1-162-970-11	CERAMIC CHIP 0.01UF 10.00% 25V			
1817		M	CAPACITOR		C4951	1-162-970-11	CERAMIC CHIP 0.01UF 10.00% 25V			
1818		M	CAPACITOR		C4952	1-124-779-00	ELECT CHIP 10UF 20.00% 16V			
1819		M	CAPACITOR		C4953	1-162-970-11	CERAMIC CHIP 0.01UF 10.00% 25V			
1820		M	CAPACITOR		C4954	1-162-970-11	CERAMIC CHIP 0.01UF 10.00% 25V			
1821		M	CAPACITOR		C4955	1-162-970-11	CERAMIC CHIP 0.01UF 10.00% 25V			
1822		M	CAPACITOR		C4956	1-124-779-00	ELECT CHIP 10UF 20.00% 16V			
1823		M	CAPACITOR		C4958	1-162-964-11	CERAMIC CHIP 0.001UF 10.00% 50V			
1824		M	CAPACITOR		C4959	1-162-964-11	CERAMIC CHIP 0.001UF 10.00% 50V			
1825		M	CAPACITOR		C4960	1-107-826-11	CERAMIC CHIP 0.1UF 10.00% 16V			
1826		M	CAPACITOR		C5001	1-124-779-00	ELECT CHIP 10UF 20.00% 16V			
1827		M	CAPACITOR		C5002	1-124-779-00	ELECT CHIP 10UF 20.00% 16V			
1828		M	CAPACITOR		C5003	1-117-681-11	ELECT CHIP 100UF 20.00% 16V			
1829		M	CAPACITOR		C5004	1-117-681-11	ELECT CHIP 100UF 20.00% 16V			
1830		M	CAPACITOR		C5005	1-162-927-11	CERAMIC CHIP 100PF 5.00% 50V			
1831		M	CAPACITOR		C5006	1-117-681-11	ELECT CHIP 100UF 20.00% 16V			
1832		M	CAPACITOR		C5007	1-162-927-11	CERAMIC CHIP 100PF 5.00% 50V			
1833		M	CAPACITOR		C5008	1-162-927-11	CERAMIC CHIP 100PF 5.00% 50V			
1834		M	CAPACITOR		C5009	1-107-826-11	CERAMIC CHIP 0.1UF 10.00% 16V			
1835		M	CAPACITOR		C5010	1-162-927-11	CERAMIC CHIP 100PF 5.00% 50V			
1836		M	CAPACITOR		C5011	1-124-779-00	ELECT CHIP 10UF 20.00% 16V			
1837		M	CAPACITOR		C5012	1-124-779-00	ELECT CHIP 10UF 20.00% 16V			
1838		M	CAPACITOR		C5013	1-107-826-11	CERAMIC CHIP 0.1UF 10.00% 16V			
1839		M	CAPACITOR		C5014	1-124-779-00	ELECT CHIP 10UF 20.00% 16V			
1840		M	CAPACITOR		C5015	1-126-206-11	ELECT CHIP 100UF 20.00% 6.3V			
1841		M	CAPACITOR		C5016	1-124-779-00	ELECT CHIP 10UF 20.00% 16V			
1842		M	CAPACITOR		C5017	1-126-205-11	ELECT CHIP 47UF 20.00% 6.3V			
1843		M	CAPACITOR		C5018	1-162-970-11	CERAMIC CHIP 0.01UF 10.00% 25V			
1844		M	CAPACITOR		C5019	1-107-826-11	CERAMIC CHIP 0.1UF 10.00% 16V			
1845		M	CAPACITOR		C5020	1-124-779-00	ELECT CHIP 10UF 20.00% 16V			
1846		M	CAPACITOR		C5021	1-164-392-11	CERAMIC CHIP 390PF 5.00% 50V			
1847		M	CAPACITOR		C5023	1-162-970-11	CERAMIC CHIP 0.01UF 10.00% 25V			
1848		M	CAPACITOR		C5024	1-126-205-11	ELECT CHIP 47UF 20.00% 6.3V			
1849		M	CAPACITOR		C5025	1-162-970-11	CERAMIC CHIP 0.01UF 10.00% 25V			

No.	#	Board	Type	△/*	Ref.No.	Part No.	Descrption	Remarks-1	Remarks-2	Difference
1850		M	CAPACITOR		C5026	1-162-970-11	CERAMIC CHIP 0.01UF 10.00% 25V			
1851		M	CAPACITOR		C5027	1-162-921-11	CERAMIC CHIP 33PF 5.00% 50V			
1852		M	CAPACITOR		C5028	1-162-921-11	CERAMIC CHIP 33PF 5.00% 50V			
1853		M	CAPACITOR		C5029	1-117-681-11	ELECT CHIP 100UF 20.00% 16V			
1854		M	CAPACITOR		C5030	1-162-970-11	CERAMIC CHIP 0.01UF 10.00% 25V			
1855		M	CAPACITOR		C5031	1-125-891-11	CERAMIC CHIP 0.47UF 10.00% 10V			
1856		M	CAPACITOR		C5032	1-107-826-11	CERAMIC CHIP 0.1UF 10.00% 16V			
1857		M	CAPACITOR		C5033	1-126-205-11	ELECT CHIP 47UF 20.00% 6.3V			
1858		M	CAPACITOR		C5034	1-107-826-11	CERAMIC CHIP 0.1UF 10.00% 16V			
1859		M	CAPACITOR		C5035	1-126-205-11	ELECT CHIP 47UF 20.00% 6.3V			
1860		M	CAPACITOR		C5036	1-124-779-00	ELECT CHIP 10UF 20.00% 16V			
1861		M	CAPACITOR		C5037	1-162-927-11	CERAMIC CHIP 100PF 5.00% 50V			
1862		M	CAPACITOR		C5038	1-124-779-00	ELECT CHIP 10UF 20.00% 16V			
1863		M	CAPACITOR		C5039	1-162-970-11	CERAMIC CHIP 0.01UF 10.00% 25V			
1864		M	CAPACITOR		C5040	1-162-927-11	CERAMIC CHIP 100PF 5.00% 50V			
1865		M	CAPACITOR		C5101	1-107-826-11	CERAMIC CHIP 0.1UF 10.00% 16V			
1866		M	CAPACITOR		C5102	1-126-205-11	ELECT CHIP 47UF 20.00% 6.3V			
1867		M	CAPACITOR		C5103	1-162-970-11	CERAMIC CHIP 0.01UF 10.00% 25V			
1868		M	CAPACITOR		C5104	1-107-826-11	CERAMIC CHIP 0.1UF 10.00% 16V			
1869		M	CAPACITOR		C5105	1-107-826-11	CERAMIC CHIP 0.1UF 10.00% 16V			
1870		M	CAPACITOR		C5108	1-107-826-11	CERAMIC CHIP 0.1UF 10.00% 16V			
1871		M	CAPACITOR		C5109	1-162-964-11	CERAMIC CHIP 0.001UF 10.00% 50V			
1872		M	CAPACITOR		C5110	1-162-964-11	CERAMIC CHIP 0.001UF 10.00% 50V			
1873		M	CAPACITOR		C5113	1-107-826-11	CERAMIC CHIP 0.1UF 10.00% 16V			
1874		M	CAPACITOR		C5116	1-107-826-11	CERAMIC CHIP 0.1UF 10.00% 16V			
1875		M	CAPACITOR		C5151	1-107-826-11	CERAMIC CHIP 0.1UF 10.00% 16V			
1876		M	CAPACITOR		C5152	1-162-964-11	CERAMIC CHIP 0.001UF 10.00% 50V			
1877		M	CAPACITOR		C5200	1-107-826-11	CERAMIC CHIP 0.1UF 10.00% 16V			
1878		M	CAPACITOR		C5201	1-124-779-00	ELECT CHIP 10UF 20.00% 16V			
1879		M	CAPACITOR		C5202	1-107-826-11	CERAMIC CHIP 0.1UF 10.00% 16V			
1880		M	CAPACITOR		C5204	1-107-826-11	CERAMIC CHIP 0.1UF 10.00% 16V			
1881		M	CAPACITOR		C5205	1-104-607-11	ELECT CHIP 47UF 20.00% 16V			
1882		M	CAPACITOR		C5207	1-107-826-11	CERAMIC CHIP 0.1UF 10.00% 16V			
1883		M	CAPACITOR		C5208	1-162-974-11	CERAMIC CHIP 0.01UF 50V			
1884		M	CAPACITOR		C5210	1-126-204-11	ELECT CHIP 47UF 20.00% 16V			
1885		M	CAPACITOR		C5211	1-164-156-11	CERAMIC CHIP 0.1UF 25V			
1886		M	CAPACITOR		C5212	1-126-395-11	ELECT CHIP 22UF 20.00% 16V			
1887		M	CAPACITOR		C5213	1-162-974-11	CERAMIC CHIP 0.01UF 50V			
1888		M	CAPACITOR		C5214	1-124-779-00	ELECT CHIP 10UF 20.00% 16V			
1889		M	CAPACITOR		C5215	1-164-156-11	CERAMIC CHIP 0.1UF 25V			
1890		M	CAPACITOR		C5217	1-126-395-11	ELECT CHIP 22UF 20.00% 16V			
1891		M	CAPACITOR		C5218	1-162-970-11	CERAMIC CHIP 0.01UF 10.00% 25V			
1892		M	CAPACITOR		C5219	1-162-974-11	CERAMIC CHIP 0.01UF 50V			

No.	#	Board	Type	△/*	Ref.No.	Part No.	Description	Remarks-1	Remarks-2	Difference
1893		M	CAPACITOR		C5222	1-162-919-11	CERAMIC CHIP 22PF 5.00% 50V			
1894		M	CAPACITOR		C5223	1-162-919-11	CERAMIC CHIP 22PF 5.00% 50V			
1895		M	CAPACITOR		C5224	1-162-970-11	CERAMIC CHIP 0.01UF 10.00% 25V			
1896		M	CAPACITOR		C5225	1-162-970-11	CERAMIC CHIP 0.01UF 10.00% 25V			
1897		M	CAPACITOR		C5226	1-162-970-11	CERAMIC CHIP 0.01UF 10.00% 25V			
1898		M	CAPACITOR		C5227	1-162-974-11	CERAMIC CHIP 0.01UF 50V			
1899		M	CAPACITOR		C5228	1-162-964-11	CERAMIC CHIP 0.001UF 10.00% 50V			
1900		M	CAPACITOR		C5229	1-162-974-11	CERAMIC CHIP 0.01UF 50V			
1901		M	CAPACITOR		C5230	1-115-156-11	CERAMIC CHIP 1UF 10V			
1902		M	CAPACITOR		C5231	1-126-206-11	ELECT CHIP 100UF 20.00% 6.3V			
1903		M	CAPACITOR		C5234	1-126-204-11	ELECT CHIP 47UF 20.00% 16V			
1904		M	CAPACITOR		C5235	1-162-964-11	CERAMIC CHIP 0.001UF 10.00% 50V			
1905		M	CAPACITOR		C5236	1-107-826-11	CERAMIC CHIP 0.1UF 10.00% 16V			
1906		M	CAPACITOR		C5237	1-107-826-11	CERAMIC CHIP 0.1UF 10.00% 16V			
1907		M	CAPACITOR		C5238	1-107-826-11	CERAMIC CHIP 0.1UF 10.00% 16V			
1908		M	CAPACITOR		C5239	1-107-826-11	CERAMIC CHIP 0.1UF 10.00% 16V			
1909		M	CAPACITOR		C5240	1-162-967-11	CERAMIC CHIP 0.0033UF 10.00% 50V			
1910		M	CAPACITOR		C5301	1-162-970-11	CERAMIC CHIP 0.01UF 10.00% 25V			
1911		M	CONNECTOR		CN4801	1-817-120-11	CONNECTOR, DVI-D			
1912		M	CONNECTOR	*	CN4900	1-785-427-11	CONNECTOR, BOARD TO WIRE 20P			
1913		M	CONNECTOR		CN5100	1-817-112-11	HALF PITCH CONNECTOR (26PIN)			
1914		M	CONNECTOR	*	CN5201	1-764-333-11	PLUG, CONNECTOR (V) 10P			
1915		M	CONNECTOR	*	CN5202	1-764-007-11	PIN, CONNECTOR (SMD) 12P			
1916		M	CONNECTOR		CN5210	1-766-360-21	CONNECTOR, FFC/FPC 30P			
1917		M	CONNECTOR		CN5230	1-770-105-21	CONNECTOR, FFC/FPC 40P			
1918		M	CONNECTOR		CN5238	1-770-701-11	CONNECTOR, FFC/FPC 18P			
1919		M	DIODE		D4801	8-719-069-55	DIODE UDZSTE-175.6B			
1920		M	DIODE		D4802	8-719-069-55	DIODE UDZSTE-175.6B			
1921		M	DIODE		D4803	8-719-024-77	DIODE HN1D03FU-TE85L			
1922		M	DIODE		D4804	8-719-024-77	DIODE HN1D03FU-TE85L			
1923		M	DIODE		D4805	8-719-024-77	DIODE HN1D03FU-TE85L			
1924		M	DIODE		D4806	8-719-024-77	DIODE HN1D03FU-TE85L			
1925		M	DIODE		D4807	8-719-024-77	DIODE HN1D03FU-TE85L			
1926		M	DIODE		D4808	8-719-941-86	DIODE DAN202U			
1927		M	DIODE		D4900	8-719-050-37	DIODE M1MA152WA-T1			
1928		M	DIODE		D4901	8-719-050-38	DIODE M1MA152WK-T1			
1929		M	DIODE		D5001	8-719-404-50	DIODE MA111-TX			
1930		M	DIODE		D5100	8-719-069-55	DIODE UDZSTE-175.6B			
1931		M	DIODE		D5102	8-719-069-55	DIODE UDZSTE-175.6B			
1932		M	DIODE		D5103	8-719-404-50	DIODE MA111-TX			
1933		M	DIODE		D5105	8-719-069-55	DIODE UDZSTE-175.6B			
1934		M	DIODE		D5106	8-719-069-55	DIODE UDZSTE-175.6B			
1935		M	DIODE		D5107	8-719-024-77	DIODE HN1D03FU-TE85L			

No.	#	Board	Type	△/*	Ref.No.	Part No.	Description	Remarks-1	Remarks-2	Difference
1936		M	DIODE		D5108	8-719-024-77	DIODE HN1D03FU-TE85L			
1937		M	DIODE		D5109	8-719-024-77	DIODE HN1D03FU-TE85L			
1938		M	DIODE		D5110	8-719-024-77	DIODE HN1D03FU-TE85L			
1939		M	DIODE		D5111	8-719-941-86	DIODE DAN202U			
1940		M	DIODE		D5121	8-719-404-50	DIODE MA111-TX			
1941		M	DIODE		D5122	8-719-404-50	DIODE MA111-TX			
1942		M	DIODE		D5151	8-719-404-50	DIODE MA111-TX			
1943		M	DIODE		D5200	8-719-914-43	DIODE DAN202K			
1944		M	DIODE		D5201	8-719-914-44	DIODE DAP202K			
1945		M	DIODE		D5202	8-719-404-50	DIODE MA111-TX			
1946		M	DIODE		D5204	8-719-404-50	DIODE MA111-TX			
1947		M	DIODE		D5205	8-719-914-43	DIODE DAN202K			
1948		M	DIODE		D5206	8-719-914-44	DIODE DAP202K			
1949		M	DIODE		D5208	8-719-404-50	DIODE MA111-TX			
1950		M	DIODE		D5209	8-719-914-43	DIODE DAN202K			
1951		M	DIODE		D5210	8-719-404-50	DIODE MA111-TX			
1952		M	DIODE		D5211	8-719-914-43	DIODE DAN202K			
1953		M	DIODE		D5212	8-719-914-43	DIODE DAN202K			
1954		M	DIODE		D5213	8-719-914-43	DIODE DAN202K			
1955		M	DIODE		D5214	8-719-914-43	DIODE DAN202K			
1956		M	FERRITE		FB4802	1-414-445-11	FERRITE 0UH			
1957		M	FERRITE		FB4803	1-414-445-11	FERRITE 0UH			
1958		M	FERRITE		FB4804	1-414-445-11	FERRITE 0UH			
1959		M	FERRITE		FB4805	1-414-229-11	FERRITE 0UH			
1960		M	FERRITE		FB4806	1-414-229-11	FERRITE 0UH			
1961		M	FERRITE		FB4807	1-414-229-11	FERRITE 0UH			
1962		M	FERRITE		FB4808	1-414-229-11	FERRITE 0UH			
1963		M	FERRITE		FB4809	1-414-229-11	FERRITE 0UH			
1964		M	FERRITE		FB4810	1-414-229-11	FERRITE 0UH			
1965		M	FERRITE		FB4901	1-414-229-11	FERRITE 0UH			
1966		M	FERRITE		FB5001	1-414-598-11	FERRITE 0UH			
1967		M	FERRITE		FB5002	1-414-598-11	FERRITE 0UH			
1968		M	FERRITE		FB5003	1-414-598-11	FERRITE 0UH			
1969		M	FERRITE		FB5004	1-414-229-11	FERRITE 0UH			
1970		M	FERRITE		FB5005	1-414-229-11	FERRITE 0UH			
1971		M	FERRITE		FB5006	1-414-598-11	FERRITE 0UH			
1972		M	FERRITE		FB5007	1-414-598-11	FERRITE 0UH			
1973		M	FERRITE		FB5008	1-414-598-11	FERRITE 0UH			
1974		M	FERRITE		FB5009	1-216-864-11	SHORT CHIP 0			
1975		M	FERRITE		FB5010	1-216-864-11	SHORT CHIP 0			
1976		M	FERRITE		FB5011	1-216-864-11	SHORT CHIP 0			
1977		M	FERRITE		FB5012	1-414-598-11	FERRITE 0UH			
1978		M	FERRITE		FB5013	1-414-598-11	FERRITE 0UH			

No.	#	Board	Type	△/*	Ref.No.	Part No.	Descrption	Remarks-1	Remarks-2	Difference
1979		M	FERRITE		FB5200	1-414-234-22	FERRITE 0UH			
1980		M	FERRITE		FB5201	1-414-233-22	FERRITE 0UH			
1981		M	FERRITE		FB5202	1-414-228-11	FERRITE 0UH			
1982		M	FERRITE		FB5203	1-414-228-11	FERRITE 0UH			
1983		M	FERRITE		FB5204	1-239-955-11	ARRAY, FERRITE CHIP			
1984		M	FERRITE		FB5205	1-239-955-11	ARRAY, FERRITE CHIP			
1985		M	FERRITE		FB5207	1-414-228-11	FERRITE 0UH			
1986		M	FERRITE		FB5208	1-414-228-11	FERRITE 0UH			
1987		M	FERRITE		FB5209	1-414-228-11	FERRITE 0UH			
1988		M	FERRITE		FB5210	1-414-228-11	FERRITE 0UH			
1989		M	FERRITE		FB5211	1-239-955-11	ARRAY, FERRITE CHIP			
1990		M	FERRITE		FB5212	1-239-955-11	ARRAY, FERRITE CHIP			
1991		M	FERRITE		FB5213	1-414-228-11	FERRITE 0UH			
1992		M	FERRITE		FB5215	1-414-228-11	FERRITE 0UH			
1993		M	FERRITE		FB5216	1-414-228-11	FERRITE 0UH			
1994		M	FERRITE		FB5217	1-414-228-11	FERRITE 0UH			
1995		M	FERRITE		FB5218	1-414-228-11	FERRITE 0UH			
1996		M	FERRITE		FB5219	1-414-228-11	FERRITE 0UH			
1997		M	FERRITE		FB5220	1-414-228-11	FERRITE 0UH			
1998		M	FERRITE		FB5221	1-239-955-11	ARRAY, FERRITE CHIP			
1999		M	FERRITE		FB5222	1-239-955-11	ARRAY, FERRITE CHIP			
2000		M	FERRITE		FB5223	1-239-955-11	ARRAY, FERRITE CHIP			
2001		M	FERRITE		FB5224	1-239-955-11	ARRAY, FERRITE CHIP			
2002		M	FERRITE		FB5225	1-239-955-11	ARRAY, FERRITE CHIP			
2003		M	FERRITE		FB5227	1-239-955-11	ARRAY, FERRITE CHIP			
2004		M	FERRITE		FB5228	1-239-955-11	ARRAY, FERRITE CHIP			
2005		M	FERRITE		FB5229	1-239-955-11	ARRAY, FERRITE CHIP			
2006		M	FERRITE		FB5230	1-414-228-11	FERRITE 0UH			
2007		M	FILTER		FL4801	1-234-494-21	FILTER, EMI REMOVAL (SMD)			
2008		M	FILTER		FL5001	1-234-177-21	FERRITE 0UH			
2009		M	FILTER		FL5002	1-234-177-21	FERRITE 0UH			
2010		M	FILTER		FL5201	1-234-494-21	FILTER, EMI REMOVAL (SMD)			
2011		M	FILTER		FL5202	1-234-494-21	FILTER, EMI REMOVAL (SMD)			
2012		M	FILTER		FL5203	1-234-494-21	FILTER, EMI REMOVAL (SMD)			
2013		M	FILTER		FL5204	1-234-494-21	FILTER, EMI REMOVAL (SMD)			
2014		M	FILTER		FL5205	1-234-494-21	FILTER, EMI REMOVAL (SMD)			
2015		M	IC		IC4803	6-703-364-01	IC TFP510PAP			
2016		M	IC		IC4900	6-701-870-01	IC THC63LVDF84B-T			
2017		M	IC		IC4901	6-702-982-01	IC TC7SA00FU(TE85R)			
2018		M	IC		IC4902	8-759-712-65	IC PQ070XZ01ZP			
2019		M	IC		IC4903	8-759-712-65	IC PQ070XZ01ZP			
2020		M	IC		IC4904	6-703-365-01	IC PST9220NL			
2021		M	IC		IC4905	6-702-973-01	IC CXD9690Q			

No.	#	Board	Type	△/*	Ref.No.	Part No.	Descrption	Remarks-1	Remarks-2	Difference
2022		M	IC		IC4906	6-702-684-01	IC PST9225NL			
2023		M	IC		IC5001	8-759-641-26	IC NJM2391DL1-33(TE1)			
2024		M	IC		IC5002	8-759-579-68	IC AK4524			
2025		M	IC		IC5003	6-702-979-01	IC AK4114VQ-L			
2026		M	IC		IC5004	8-759-100-96	IC UPC4558G2			
2027		M	IC		IC5006	8-759-542-87	IC S-80827ANUP-EDQ-T2			
2028		M	IC		IC5100	6-700-150-01	IC M24C04-WMN6T(A)			
2029		M	IC		IC5101	8-759-675-46	IC SN65LVDS1050PWR			
2030		M	IC		IC5102	6-700-596-01	IC TC74LVX4053FT(EL)			
2031		M	IC		IC5103	8-759-058-54	IC TC7S00FU(TE85R)			
2032		M	IC		IC5105	8-759-598-39	IC TC75W58FK(TE85R)			
2033		M	IC		IC5106	8-759-570-08	IC TC7SET32FU(TE85R)			
2034		M	IC		IC5107	6-700-596-01	IC TC74LVX4053FT(EL)			
2035		M	IC		IC5108	8-759-688-12	IC TC74VHCT125AFT(EL)			
2036		M	IC		IC5200	6-702-983-01	IC TC74LCX273FT(EL)			
2037		M	IC		IC5201	8-759-683-99	IC BA8274F-E2			
2038		M	IC		IC5202	6-700-596-01	IC TC74LVX4053FT(EL)			
2039		M	IC		IC5204	8-759-592-43	IC TC7SZ02FU(TE85R)			
2040		M	IC		IC5205	8-759-475-39	IC TC74LCX74FT(EL)			
2041		M	IC		IC5206	8-759-585-48	IC HD74LV4066ATEL			
2042		M	IC		IC5207	6-801-402-01	IC BD4729GTR			
2043		M	IC		IC5208	6-702-688-01	IC M24C64-WMN6T(B)			
2044		M	IC		IC5209	8-759-641-26	IC NJM2391DL1-33(TE1)			
2045		M	IC		IC5210	6-802-508-01	IC M306VSMG-507FP			
2046		M	IC		IC5211	8-759-544-01	IC S-80828ANNP-EDR-T2			
2047		M	COIL		L4900	1-412-029-11	INDUCTOR 10UH			
2048		M	COIL		L4901	1-412-029-11	INDUCTOR 10UH			
2049		M	COIL		L4902	1-412-029-11	INDUCTOR 10UH			
2050		M	COIL		L4903	1-412-030-11	INDUCTOR 22UH			
2051		M	COIL		L4904	1-412-029-11	INDUCTOR 10UH			
2052		M	COIL		L4905	1-412-029-11	INDUCTOR 10UH			
2053		M	COIL		L4906	1-412-029-11	INDUCTOR 10UH			
2054		M	COIL		L4907	1-412-029-11	INDUCTOR 10UH			
2055		M	COIL		L4908	1-412-029-11	INDUCTOR 10UH			
2056		M	COIL		L4909	1-412-029-11	INDUCTOR 10UH			
2057		M	COIL		L4910	1-412-029-11	INDUCTOR 10UH			
2058		M	COIL		L4911	1-412-030-11	INDUCTOR 22UH			
2059		M	COIL		L5001	1-412-029-11	INDUCTOR 10UH			
2060		M	COIL		L5003	1-412-029-11	INDUCTOR 10UH			
2061		M	COIL		L5004	1-412-029-11	INDUCTOR 10UH			
2062		M	COIL		L5100	1-419-370-21	INDUCTOR 0UH			
2063		M	COIL		L5101	1-419-370-21	INDUCTOR 0UH			
2064		M	COIL		L5102	1-419-370-21	INDUCTOR 0UH			

No.	#	Board	Type	△/*	Ref.No.	Part No.	Description	Remarks-1	Remarks-2	Difference
2065		M	COIL		L5103	1-419-370-21	INDUCTOR 0UH			
2066		M	COIL		L5200	1-412-026-11	INDUCTOR 1UH			
2067		M	COIL		L5201	1-412-029-11	INDUCTOR 10UH			
2068		M	COIL		L5202	1-412-029-11	INDUCTOR 10UH			
2069		M	TRANSISTOR		Q4803	6-550-014-01	TRANSISTOR SSM6N15FU(TE85R)			
2070		M	TRANSISTOR		Q4804	6-550-014-01	TRANSISTOR SSM6N15FU(TE85R)			
2071		M	TRANSISTOR		Q4805	6-550-014-01	TRANSISTOR SSM6N15FU(TE85R)			
2072		M	TRANSISTOR		Q4900	8-729-028-28	TRANSISTOR 2SK2036(TE85L)			
2073		M	TRANSISTOR		Q4901	8-729-028-28	TRANSISTOR 2SK2036(TE85L)			
2074		M	TRANSISTOR		Q5001	8-729-928-90	TRANSISTOR DTC114EE			
2075		M	TRANSISTOR		Q5002	8-729-928-90	TRANSISTOR DTC114EE			
2076		M	TRANSISTOR		Q5003	8-729-928-90	TRANSISTOR DTC114EE			
2077		M	TRANSISTOR		Q5100	8-729-900-53	TRANSISTOR DTC114EK			
2078		M	TRANSISTOR		Q5200	8-729-422-33	TRANSISTOR 2SD601A-Q-TX			
2079		M	TRANSISTOR		Q5203	8-729-422-33	TRANSISTOR 2SD601A-Q-TX			
2080		M	TRANSISTOR		Q5204	8-729-422-33	TRANSISTOR 2SD601A-Q-TX			
2081		M	TRANSISTOR		Q5205	8-729-216-22	TRANSISTOR 2SA1162-G			
2082		M	TRANSISTOR		Q5206	8-729-422-33	TRANSISTOR 2SD601A-Q-TX			
2083		M	TRANSISTOR		Q5207	8-729-216-22	TRANSISTOR 2SA1162-G			
2084		M	TRANSISTOR		Q5208	8-729-422-33	TRANSISTOR 2SD601A-Q-TX			
2085		M	TRANSISTOR		Q5209	8-729-216-22	TRANSISTOR 2SA1162-G			
2086		M	TRANSISTOR		Q5210	8-759-027-61	TRANSISTOR DTC144VKA-T146			
2087		M	TRANSISTOR		Q5211	8-729-422-33	TRANSISTOR 2SD601A-Q-TX			
2088		M	TRANSISTOR		Q5212	8-729-422-33	TRANSISTOR 2SD601A-Q-TX			
2089		M	TRANSISTOR		Q5213	8-729-901-47	TRANSISTOR DTA143EK			
2090		M	TRANSISTOR		Q5214	8-729-422-33	TRANSISTOR 2SD601A-Q-TX			
2091		M	TRANSISTOR		Q5215	8-729-422-33	TRANSISTOR 2SD601A-Q-TX			
2092		M	TRANSISTOR		Q5216	8-759-027-61	TRANSISTOR DTC144VKA-T146			
2093		M	TRANSISTOR		Q5217	8-729-027-56	TRANSISTOR DTC143TKA-T146			
2094		M	TRANSISTOR		Q5218	8-729-216-22	TRANSISTOR 2SA1162-G			
2095		M	TRANSISTOR		Q5219	8-729-422-33	TRANSISTOR 2SD601A-Q-TX			
2096		M	TRANSISTOR		Q5220	8-729-422-33	TRANSISTOR 2SD601A-Q-TX			
2097		M	TRANSISTOR		Q5221	8-729-422-33	TRANSISTOR 2SD601A-Q-TX			
2098		M	TRANSISTOR		Q5222	8-729-422-33	TRANSISTOR 2SD601A-Q-TX			
2099		M	TRANSISTOR		Q5223	8-729-422-33	TRANSISTOR 2SD601A-Q-TX			
2100		M	TRANSISTOR		Q5224	8-729-216-22	TRANSISTOR 2SA1162-G			
2101		M	TRANSISTOR		Q5225	8-729-422-33	TRANSISTOR 2SD601A-Q-TX			
2102		M	TRANSISTOR		Q5251	8-729-028-28	TRANSISTOR 2SK2036(TE85L)			
2103		M	RESISTOR		R4811	1-216-829-11	METAL CHIP 4.7K 5% 1/10W			
2104		M	RESISTOR		R4812	1-216-829-11	METAL CHIP 4.7K 5% 1/10W			
2105		M	RESISTOR		R4813	1-216-829-11	METAL CHIP 4.7K 5% 1/10W			
2106		M	RESISTOR		R4814	1-218-840-11	METAL CHIP 510 0.5% 1/10W			
2107		M	RESISTOR		R4815	1-216-829-11	METAL CHIP 4.7K 5% 1/10W			

No.	#	Board	Type	△/*	Ref.No.	Part No.	Descrption	Remarks-1	Remarks-2	Difference
2108		M	RESISTOR		R4816	1-216-829-11	METAL CHIP 4.7K 5% 1/10W			
2109		M	RESISTOR		R4817	1-216-845-11	METAL CHIP 100K 5% 1/10W			
2110		M	RESISTOR		R4818	1-216-821-11	METAL CHIP 1K 5% 1/10W			
2111		M	RESISTOR		R4819	1-216-864-11	SHORT CHIP 0			
2112		M	RESISTOR		R4820	1-216-033-00	RES-CHIP 220 5% 1/10W			
2113		M	RESISTOR		R4821	1-216-845-11	METAL CHIP 100K 5% 1/10W			
2114		M	RESISTOR		R4822	1-216-864-11	SHORT CHIP 0			
2115		M	RESISTOR		R4823	1-216-864-11	SHORT CHIP 0			
2116		M	RESISTOR		R4824	1-216-033-00	RES-CHIP 220 5% 1/10W			
2117		M	RESISTOR		R4900	1-216-809-11	METAL CHIP 100 5% 1/10W			
2118		M	RESISTOR		R4901	1-216-809-11	METAL CHIP 100 5% 1/10W			
2119		M	RESISTOR		R4902	1-216-809-11	METAL CHIP 100 5% 1/10W			
2120		M	RESISTOR		R4903	1-216-809-11	METAL CHIP 100 5% 1/10W			
2121		M	RESISTOR		R4904	1-216-809-11	METAL CHIP 100 5% 1/10W			
2122		M	RESISTOR		R4907	1-216-864-11	SHORT CHIP 0			
2123		M	RESISTOR		R4908	1-216-864-11	SHORT CHIP 0			
2124		M	RESISTOR		R4909	1-216-833-11	METAL CHIP 10K 5% 1/10W			
2125		M	RESISTOR		R4910	1-216-833-11	METAL CHIP 10K 5% 1/10W			
2126		M	RESISTOR		R4911	1-216-821-11	METAL CHIP 1K 5% 1/10W			
2127		M	RESISTOR		R4912	1-216-825-11	METAL CHIP 2.2K 5% 1/10W			
2128		M	RESISTOR		R4913	1-216-821-11	METAL CHIP 1K 5% 1/10W			
2129		M	RESISTOR		R4914	1-216-821-11	METAL CHIP 1K 5% 1/10W			
2130		M	RESISTOR		R4916	1-218-867-11	METAL CHIP 6.8K 0.5% 1/10W			
2131		M	RESISTOR		R4919	1-216-809-11	METAL CHIP 100 5% 1/10W			
2132		M	RESISTOR		R4920	1-216-809-11	METAL CHIP 100 5% 1/10W			
2133		M	RESISTOR		R4921	1-216-805-11	METAL CHIP 47 5% 1/10W			
2134		M	RESISTOR		R4922	1-216-801-11	METAL CHIP 22 5% 1/10W			
2135		M	RESISTOR		R4923	1-216-801-11	METAL CHIP 22 5% 1/10W			
2136		M	RESISTOR		R4926	1-216-829-11	METAL CHIP 4.7K 5% 1/10W			
2137		M	RESISTOR		R4927	1-216-864-11	SHORT CHIP 0			
2138		M	RESISTOR		R4928	1-216-864-11	SHORT CHIP 0			
2139		M	RESISTOR		R4929	1-216-864-11	SHORT CHIP 0			
2140		M	RESISTOR		R4930	1-216-864-11	SHORT CHIP 0			
2141		M	RESISTOR		R4931	1-216-864-11	SHORT CHIP 0			
2142		M	RESISTOR		R4932	1-216-864-11	SHORT CHIP 0			
2143		M	RESISTOR		R4933	1-216-864-11	SHORT CHIP 0			
2144		M	RESISTOR		R4934	1-216-864-11	SHORT CHIP 0			
2145		M	RESISTOR		R4935	1-216-864-11	SHORT CHIP 0			
2146		M	RESISTOR		R4936	1-216-864-11	SHORT CHIP 0			
2147		M	RESISTOR		R4937	1-216-864-11	SHORT CHIP 0			
2148		M	RESISTOR		R4938	1-216-864-11	SHORT CHIP 0			
2149		M	RESISTOR		R4939	1-216-833-11	METAL CHIP 10K 5% 1/10W			
2150		M	RESISTOR		R4940	1-216-864-11	SHORT CHIP 0			

No.	#	Board	Type	△/*	Ref.No.	Part No.	Descrption	Remarks-1	Remarks-2	Difference
2151		M	RESISTOR		R4941	1-216-864-11	SHORT CHIP 0			
2152		M	RESISTOR		R4942	1-216-801-11	METAL CHIP 22 5% 1/10W			
2153		M	RESISTOR		R4943	1-216-821-11	METAL CHIP 1K 5% 1/10W			
2154		M	RESISTOR		R4945	1-216-864-11	SHORT CHIP 0			
2155		M	RESISTOR		R4946	1-216-809-11	METAL CHIP 100 5% 1/10W			
2156		M	RESISTOR		R4947	1-216-809-11	METAL CHIP 100 5% 1/10W			
2157		M	RESISTOR		R4948	1-216-805-11	METAL CHIP 47 5% 1/10W			
2158		M	RESISTOR		R4949	1-216-805-11	METAL CHIP 47 5% 1/10W			
2159		M	RESISTOR		R4950	1-216-805-11	METAL CHIP 47 5% 1/10W			
2160		M	RESISTOR		R4951	1-216-805-11	METAL CHIP 47 5% 1/10W			
2161		M	RESISTOR		R4952	1-216-805-11	METAL CHIP 47 5% 1/10W			
2162		M	RESISTOR		R4953	1-216-805-11	METAL CHIP 47 5% 1/10W			
2163		M	RESISTOR		R4954	1-216-805-11	METAL CHIP 47 5% 1/10W			
2164		M	RESISTOR		R4955	1-216-805-11	METAL CHIP 47 5% 1/10W			
2165		M	RESISTOR		R4956	1-216-809-11	METAL CHIP 100 5% 1/10W			
2166		M	RESISTOR		R4957	1-216-821-11	METAL CHIP 1K 5% 1/10W			
2167		M	RESISTOR		R4958	1-216-821-11	METAL CHIP 1K 5% 1/10W			
2168		M	RESISTOR		R4959	1-216-833-11	METAL CHIP 10K 5% 1/10W			
2169		M	RESISTOR		R5001	1-216-809-11	METAL CHIP 100 5% 1/10W			
2170		M	RESISTOR		R5002	1-216-809-11	METAL CHIP 100 5% 1/10W			
2171		M	RESISTOR		R5003	1-216-821-11	METAL CHIP 1K 5% 1/10W			
2172		M	RESISTOR		R5004	1-218-272-11	METAL CHIP 5.1K 5% 1/10W			
2173		M	RESISTOR		R5005	1-216-833-11	METAL CHIP 10K 5% 1/10W			
2174		M	RESISTOR		R5006	1-216-834-11	METAL CHIP 12K 5% 1/10W			
2175		M	RESISTOR		R5007	1-216-833-11	METAL CHIP 10K 5% 1/10W			
2176		M	RESISTOR		R5008	1-216-834-11	METAL CHIP 12K 5% 1/10W			
2177		M	RESISTOR		R5009	1-216-833-11	METAL CHIP 10K 5% 1/10W			
2178		M	RESISTOR		R5010	1-216-834-11	METAL CHIP 12K 5% 1/10W			
2179		M	RESISTOR		R5011	1-216-833-11	METAL CHIP 10K 5% 1/10W			
2180		M	RESISTOR		R5012	1-216-809-11	METAL CHIP 100 5% 1/10W			
2181		M	RESISTOR		R5013	1-216-809-11	METAL CHIP 100 5% 1/10W			
2182		M	RESISTOR		R5014	1-216-833-11	METAL CHIP 10K 5% 1/10W			
2183		M	RESISTOR		R5015	1-216-827-11	METAL CHIP 3.3K 5% 1/10W			
2184		M	RESISTOR		R5016	1-216-829-11	METAL CHIP 4.7K 5% 1/10W			
2185		M	RESISTOR		R5017	1-216-809-11	METAL CHIP 100 5% 1/10W			
2186		M	RESISTOR		R5018	1-216-809-11	METAL CHIP 100 5% 1/10W			
2187		M	RESISTOR		R5019	1-216-793-11	METAL CHIP 4.7 5% 1/10W			
2188		M	RESISTOR		R5020	1-216-809-11	METAL CHIP 100 5% 1/10W			
2189		M	RESISTOR		R5021	1-216-801-11	METAL CHIP 22 5% 1/10W			
2190		M	RESISTOR		R5022	1-216-809-11	METAL CHIP 100 5% 1/10W			
2191		M	RESISTOR		R5023	1-216-864-11	SHORT CHIP 0			
2192		M	RESISTOR		R5024	1-216-836-11	METAL CHIP 18K 5% 1/10W			
2193		M	RESISTOR		R5025	1-216-809-11	METAL CHIP 100 5% 1/10W			

No.	#	Board	Type	△/*	Ref.No.	Part No.	Description	Remarks-1	Remarks-2	Difference
2194		M	RESISTOR		R5026	1-216-809-11	METAL CHIP 100 5% 1/10W			
2195		M	RESISTOR		R5027	1-216-809-11	METAL CHIP 100 5% 1/10W			
2196		M	RESISTOR		R5028	1-216-797-11	METAL CHIP 10 5% 1/10W			
2197		M	RESISTOR		R5029	1-216-821-11	METAL CHIP 1K 5% 1/10W			
2198		M	RESISTOR		R5030	1-216-864-11	SHORT CHIP 0			
2199		M	RESISTOR		R5032	1-216-797-11	METAL CHIP 10 5% 1/10W			
2200		M	RESISTOR		R5033	1-216-821-11	METAL CHIP 1K 5% 1/10W			
2201		M	RESISTOR		R5034	1-216-797-11	METAL CHIP 10 5% 1/10W			
2202		M	RESISTOR		R5035	1-216-821-11	METAL CHIP 1K 5% 1/10W			
2203		M	RESISTOR		R5037	1-216-797-11	METAL CHIP 10 5% 1/10W			
2204		M	RESISTOR		R5038	1-216-809-11	METAL CHIP 100 5% 1/10W			
2205		M	RESISTOR		R5039	1-216-828-11	METAL CHIP 3.9K 5% 1/10W			
2206		M	RESISTOR		R5040	1-216-829-11	METAL CHIP 4.7K 5% 1/10W			
2207		M	RESISTOR		R5041	1-216-834-11	METAL CHIP 12K 5% 1/10W			
2208		M	RESISTOR		R5042	1-216-797-11	METAL CHIP 10 5% 1/10W			
2209		M	RESISTOR		R5044	1-216-797-11	METAL CHIP 10 5% 1/10W			
2210		M	RESISTOR		R5045	1-216-809-11	METAL CHIP 100 5% 1/10W			
2211		M	RESISTOR		R5046	1-216-797-11	METAL CHIP 10 5% 1/10W			
2212		M	RESISTOR		R5047	1-216-845-11	METAL CHIP 100K 5% 1/10W			
2213		M	RESISTOR		R5102	1-216-845-11	METAL CHIP 100K 5% 1/10W			
2214		M	RESISTOR		R5105	1-216-845-11	METAL CHIP 100K 5% 1/10W			
2215		M	RESISTOR		R5107	1-216-845-11	METAL CHIP 100K 5% 1/10W			
2216		M	RESISTOR		R5116	1-216-833-11	METAL CHIP 10K 5% 1/10W			
2217		M	RESISTOR		R5117	1-216-833-11	METAL CHIP 10K 5% 1/10W			
2218		M	RESISTOR		R5119	1-216-801-11	METAL CHIP 22 5% 1/10W			
2219		M	RESISTOR		R5120	1-216-801-11	METAL CHIP 22 5% 1/10W			
2220		M	RESISTOR		R5121	1-216-801-11	METAL CHIP 22 5% 1/10W			
2221		M	RESISTOR		R5122	1-216-801-11	METAL CHIP 22 5% 1/10W			
2222		M	RESISTOR		R5126	1-216-821-11	METAL CHIP 1K 5% 1/10W			
2223		M	RESISTOR		R5127	1-216-847-11	METAL CHIP 150K 5% 1/10W			
2224		M	RESISTOR		R5128	1-216-853-11	METAL CHIP 470K 5% 1/10W			
2225		M	RESISTOR		R5129	1-216-847-11	METAL CHIP 150K 5% 1/10W			
2226		M	RESISTOR		R5130	1-216-853-11	METAL CHIP 470K 5% 1/10W			
2227		M	RESISTOR		R5132	1-216-821-11	METAL CHIP 1K 5% 1/10W			
2228		M	RESISTOR		R5133	1-216-821-11	METAL CHIP 1K 5% 1/10W			
2229		M	RESISTOR		R5134	1-216-829-11	METAL CHIP 4.7K 5% 1/10W			
2230		M	RESISTOR		R5144	1-216-833-11	METAL CHIP 10K 5% 1/10W			
2231		M	RESISTOR		R5151	1-216-809-11	METAL CHIP 100 5% 1/10W			
2232		M	RESISTOR		R5152	1-216-809-11	METAL CHIP 100 5% 1/10W			
2233		M	RESISTOR		R5153	1-216-864-11	SHORT CHIP 0			
2234		M	RESISTOR		R5154	1-216-864-11	SHORT CHIP 0			
2235		M	RESISTOR		R5156	1-216-864-11	SHORT CHIP 0			
2236		M	RESISTOR		R5157	1-216-864-11	SHORT CHIP 0			

No.	#	Board	Type	△/*	Ref.No.	Part No.	Description	Remarks-1	Remarks-2	Difference
2237		M	RESISTOR		R5159	1-216-821-11	METAL CHIP 1K 5% 1/10W			
2238		M	RESISTOR		R5160	1-216-821-11	METAL CHIP 1K 5% 1/10W			
2239		M	RESISTOR		R5161	1-216-821-11	METAL CHIP 1K 5% 1/10W			
2240		M	RESISTOR		R5162	1-216-833-11	METAL CHIP 10K 5% 1/10W			
2241		M	RESISTOR		R5163	1-216-833-11	METAL CHIP 10K 5% 1/10W			
2242		M	RESISTOR		R5164	1-216-833-11	METAL CHIP 10K 5% 1/10W			
2243		M	RESISTOR		R5165	1-216-821-11	METAL CHIP 1K 5% 1/10W			
2244		M	RESISTOR		R5166	1-216-833-11	METAL CHIP 10K 5% 1/10W			
2245		M	RESISTOR		R5167	1-216-833-11	METAL CHIP 10K 5% 1/10W			
2246		M	RESISTOR		R5168	1-216-857-11	METAL CHIP 1M 5% 1/10W			
2247		M	RESISTOR		R5169	1-216-829-11	METAL CHIP 4.7K 5% 1/10W			
2248		M	RESISTOR		R5200	1-216-801-11	METAL CHIP 22 5% 1/10W			
2249		M	RESISTOR		R5201	1-216-801-11	METAL CHIP 22 5% 1/10W			
2250		M	RESISTOR		R5202	1-216-801-11	METAL CHIP 22 5% 1/10W			
2251		M	RESISTOR		R5203	1-216-801-11	METAL CHIP 22 5% 1/10W			
2252		M	RESISTOR		R5204	1-216-821-11	METAL CHIP 1K 5% 1/10W			
2253		M	RESISTOR		R5205	1-216-821-11	METAL CHIP 1K 5% 1/10W			
2254		M	RESISTOR		R5210	1-216-841-11	METAL CHIP 47K 5% 1/10W			
2255		M	RESISTOR		R5215	1-216-801-11	METAL CHIP 22 5% 1/10W			
2256		M	RESISTOR		R5219	1-216-801-11	METAL CHIP 22 5% 1/10W			
2257		M	RESISTOR		R5220	1-216-801-11	METAL CHIP 22 5% 1/10W			
2258		M	RESISTOR		R5222	1-216-801-11	METAL CHIP 22 5% 1/10W			
2259		M	RESISTOR		R5223	1-216-801-11	METAL CHIP 22 5% 1/10W			
2260		M	RESISTOR		R5230	1-216-801-11	METAL CHIP 22 5% 1/10W			
2261		M	RESISTOR		R5232	1-216-801-11	METAL CHIP 22 5% 1/10W			
2262		M	RESISTOR		R5233	1-216-801-11	METAL CHIP 22 5% 1/10W			
2263		M	RESISTOR		R5234	1-216-864-11	SHORT CHIP 0			
2264		M	RESISTOR		R5235	1-216-864-11	SHORT CHIP 0			
2265		M	RESISTOR		R5243	1-216-833-11	METAL CHIP 10K 5% 1/10W			
2266		M	RESISTOR		R5252	1-216-841-11	METAL CHIP 47K 5% 1/10W			
2267		M	RESISTOR		R5253	1-216-809-11	METAL CHIP 100 5% 1/10W			
2268		M	RESISTOR		R5254	1-216-853-11	METAL CHIP 470K 5% 1/10W			
2269		M	RESISTOR		R5255	1-216-801-11	METAL CHIP 22 5% 1/10W			
2270		M	RESISTOR		R5256	1-216-825-11	METAL CHIP 2.2K 5% 1/10W			
2271		M	RESISTOR		R5262	1-216-864-11	SHORT CHIP 0			
2272		M	RESISTOR		R5263	1-216-853-11	METAL CHIP 470K 5% 1/10W			
2273		M	RESISTOR		R5264	1-216-845-11	METAL CHIP 100K 5% 1/10W			
2274		M	RESISTOR		R5265	1-216-841-11	METAL CHIP 47K 5% 1/10W			
2275		M	RESISTOR		R5266	1-216-801-11	METAL CHIP 22 5% 1/10W			
2276		M	RESISTOR		R5267	1-216-825-11	METAL CHIP 2.2K 5% 1/10W			
2277		M	RESISTOR		R5270	1-216-833-11	METAL CHIP 10K 5% 1/10W			
2278		M	RESISTOR		R5272	1-216-864-11	SHORT CHIP 0			
2279		M	RESISTOR		R5273	1-216-841-11	METAL CHIP 47K 5% 1/10W			

No.	#	Board	Type	△/*	Ref.No.	Part No.	Descrption	Remarks-1	Remarks-2	Difference
2280		M	RESISTOR		R5274	1-216-833-11	METAL CHIP 10K 5% 1/10W			
2281		M	RESISTOR		R5275	1-216-825-11	METAL CHIP 2.2K 5% 1/10W			
2282		M	RESISTOR		R5276	1-216-825-11	METAL CHIP 2.2K 5% 1/10W			
2283		M	RESISTOR		R5280	1-216-805-11	METAL CHIP 47 5% 1/10W			
2284		M	RESISTOR		R5282	1-216-817-11	METAL CHIP 470 5% 1/10W			
2285		M	RESISTOR		R5283	1-216-809-11	METAL CHIP 100 5% 1/10W			
2286		M	RESISTOR		R5284	1-216-805-11	METAL CHIP 47 5% 1/10W			
2287		M	RESISTOR		R5286	1-216-805-11	METAL CHIP 47 5% 1/10W			
2288		M	RESISTOR		R5290	1-216-817-11	METAL CHIP 470 5% 1/10W			
2289		M	RESISTOR		R5293	1-216-801-11	METAL CHIP 22 5% 1/10W			
2290		M	RESISTOR		R5294	1-216-805-11	METAL CHIP 47 5% 1/10W			
2291		M	RESISTOR		R5295	1-216-805-11	METAL CHIP 47 5% 1/10W			
2292		M	RESISTOR		R5296	1-216-805-11	METAL CHIP 47 5% 1/10W			
2293		M	RESISTOR		R5297	1-216-809-11	METAL CHIP 100 5% 1/10W			
2294		M	RESISTOR		R5298	1-216-805-11	METAL CHIP 47 5% 1/10W			
2295		M	RESISTOR		R5299	1-216-805-11	METAL CHIP 47 5% 1/10W			
2296		M	RESISTOR		R5300	1-216-809-11	METAL CHIP 100 5% 1/10W			
2297		M	RESISTOR		R5301	1-216-809-11	METAL CHIP 100 5% 1/10W			
2298		M	RESISTOR		R5302	1-216-841-11	METAL CHIP 47K 5% 1/10W			
2299		M	RESISTOR		R5303	1-216-864-11	SHORT CHIP 0			
2300		M	RESISTOR		R5305	1-216-805-11	METAL CHIP 47 5% 1/10W			
2301		M	RESISTOR		R5306	1-216-805-11	METAL CHIP 47 5% 1/10W			
2302		M	RESISTOR		R5307	1-216-801-11	METAL CHIP 22 5% 1/10W			
2303		M	RESISTOR		R5308	1-216-801-11	METAL CHIP 22 5% 1/10W			
2304		M	RESISTOR		R5309	1-216-809-11	METAL CHIP 100 5% 1/10W			
2305		M	RESISTOR		R5310	1-216-809-11	METAL CHIP 100 5% 1/10W			
2306		M	RESISTOR		R5311	1-216-809-11	METAL CHIP 100 5% 1/10W			
2307		M	RESISTOR		R5312	1-216-833-11	METAL CHIP 10K 5% 1/10W			
2308		M	RESISTOR		R5313	1-216-835-11	METAL CHIP 15K 5% 1/10W			
2309		M	RESISTOR		R5314	1-216-833-11	METAL CHIP 10K 5% 1/10W			
2310		M	RESISTOR		R5315	1-216-801-11	METAL CHIP 22 5% 1/10W			
2311		M	RESISTOR		R5316	1-216-809-11	METAL CHIP 100 5% 1/10W			
2312		M	RESISTOR		R5317	1-216-841-11	METAL CHIP 47K 5% 1/10W			
2313		M	RESISTOR		R5318	1-216-833-11	METAL CHIP 10K 5% 1/10W			
2314		M	RESISTOR		R5319	1-216-805-11	METAL CHIP 47 5% 1/10W			
2315		M	RESISTOR		R5320	1-216-821-11	METAL CHIP 1K 5% 1/10W			
2316		M	RESISTOR		R5321	1-216-805-11	METAL CHIP 47 5% 1/10W			
2317		M	RESISTOR		R5322	1-216-805-11	METAL CHIP 47 5% 1/10W			
2318		M	RESISTOR		R5323	1-216-833-11	METAL CHIP 10K 5% 1/10W			
2319		M	RESISTOR		R5325	1-216-833-11	METAL CHIP 10K 5% 1/10W			
2320		M	RESISTOR		R5326	1-216-841-11	METAL CHIP 47K 5% 1/10W			
2321		M	RESISTOR		R5327	1-216-809-11	METAL CHIP 100 5% 1/10W			
2322		M	RESISTOR		R5329	1-216-809-11	METAL CHIP 100 5% 1/10W			

No.	#	Board	Type	△/*	Ref.No.	Part No.	Descrption	Remarks-1	Remarks-2	Difference
2323		M	RESISTOR		R5330	1-216-829-11	METAL CHIP 4.7K 5% 1/10W			
2324		M	RESISTOR		R5331	1-216-809-11	METAL CHIP 100 5% 1/10W			
2325		M	RESISTOR		R5332	1-216-805-11	METAL CHIP 47 5% 1/10W			
2326		M	RESISTOR		R5333	1-216-821-11	METAL CHIP 1K 5% 1/10W			
2327		M	RESISTOR		R5334	1-216-821-11	METAL CHIP 1K 5% 1/10W			
2328		M	RESISTOR		R5335	1-216-864-11	SHORT CHIP 0			
2329		M	RESISTOR		R5336	1-216-833-11	METAL CHIP 10K 5% 1/10W			
2330		M	RESISTOR		R5337	1-216-821-11	METAL CHIP 1K 5% 1/10W			
2331		M	RESISTOR		R5338	1-216-821-11	METAL CHIP 1K 5% 1/10W			
2332		M	RESISTOR		R5339	1-216-805-11	METAL CHIP 47 5% 1/10W			
2333		M	RESISTOR		R5340	1-216-821-11	METAL CHIP 1K 5% 1/10W			
2334		M	RESISTOR		R5341	1-216-805-11	METAL CHIP 47 5% 1/10W			
2335		M	RESISTOR		R5342	1-216-821-11	METAL CHIP 1K 5% 1/10W			
2336		M	RESISTOR		R5343	1-216-805-11	METAL CHIP 47 5% 1/10W			
2337		M	RESISTOR		R5344	1-216-833-11	METAL CHIP 10K 5% 1/10W			
2338		M	RESISTOR		R5345	1-216-821-11	METAL CHIP 1K 5% 1/10W			
2339		M	RESISTOR		R5346	1-216-837-11	METAL CHIP 22K 5% 1/10W			
2340		M	RESISTOR		R5347	1-216-821-11	METAL CHIP 1K 5% 1/10W			
2341		M	RESISTOR		R5348	1-216-833-11	METAL CHIP 10K 5% 1/10W			
2342		M	RESISTOR		R5349	1-216-821-11	METAL CHIP 1K 5% 1/10W			
2343		M	RESISTOR		R5350	1-216-833-11	METAL CHIP 10K 5% 1/10W			
2344		M	RESISTOR		R5352	1-216-864-11	SHORT CHIP 0			
2345		M	RESISTOR		R5353	1-216-821-11	METAL CHIP 1K 5% 1/10W			
2346		M	RESISTOR		R5354	1-216-821-11	METAL CHIP 1K 5% 1/10W			
2347		M	RESISTOR		R5355	1-216-821-11	METAL CHIP 1K 5% 1/10W			
2348		M	RESISTOR		R5356	1-216-821-11	METAL CHIP 1K 5% 1/10W			
2349		M	RESISTOR		R5357	1-216-833-11	METAL CHIP 10K 5% 1/10W			
2350		M	RESISTOR		R5359	1-216-845-11	METAL CHIP 100K 5% 1/10W			
2351		M	RESISTOR		R5361	1-216-833-11	METAL CHIP 10K 5% 1/10W			
2352		M	RESISTOR		R5362	1-216-821-11	METAL CHIP 1K 5% 1/10W			
2353		M	RESISTOR		R5363	1-216-849-11	METAL CHIP 220K 5% 1/10W			
2354		M	RESISTOR		R5364	1-216-833-11	METAL CHIP 10K 5% 1/10W			
2355		M	RESISTOR		R5365	1-216-833-11	METAL CHIP 10K 5% 1/10W			
2356		M	RESISTOR		R5366	1-216-833-11	METAL CHIP 10K 5% 1/10W			
2357		M	RESISTOR		R5367	1-216-833-11	METAL CHIP 10K 5% 1/10W			
2358		M	RESISTOR		R5368	1-216-833-11	METAL CHIP 10K 5% 1/10W			
2359		M	RESISTOR		R5369	1-216-809-11	METAL CHIP 100 5% 1/10W			
2360		M	RESISTOR		R5370	1-216-821-11	METAL CHIP 1K 5% 1/10W			
2361		M	RESISTOR		R5371	1-216-821-11	METAL CHIP 1K 5% 1/10W			
2362		M	RESISTOR		R5372	1-216-821-11	METAL CHIP 1K 5% 1/10W			
2363		M	RESISTOR		R5373	1-216-821-11	METAL CHIP 1K 5% 1/10W			
2364		M	RESISTOR		R5374	1-216-809-11	METAL CHIP 100 5% 1/10W			
2365		M	RESISTOR		R5375	1-216-809-11	METAL CHIP 100 5% 1/10W			

No.	#	Board	Type	△/*	Ref.No.	Part No.	Descrption	Remarks-1	Remarks-2	Difference
2366		M	RESISTOR		R5376	1-216-809-11	METAL CHIP 100 5% 1/10W			
2367		M	RESISTOR		R5377	1-216-809-11	METAL CHIP 100 5% 1/10W			
2368		M	RESISTOR		R5378	1-216-845-11	METAL CHIP 100K 5% 1/10W			
2369		M	RESISTOR		R5379	1-216-835-11	METAL CHIP 15K 5% 1/10W			
2370		M	RESISTOR		R5380	1-216-835-11	METAL CHIP 15K 5% 1/10W			
2371		M	RESISTOR		R5381	1-216-833-11	METAL CHIP 10K 5% 1/10W			
2372		M	RESISTOR		R5382	1-216-837-11	METAL CHIP 22K 5% 1/10W			
2373		M	RESISTOR		R5383	1-216-833-11	METAL CHIP 10K 5% 1/10W			
2374		M	RESISTOR		R5384	1-216-837-11	METAL CHIP 22K 5% 1/10W			
2375		M	RESISTOR		R5385	1-216-837-11	METAL CHIP 22K 5% 1/10W			
2376		M	RESISTOR		R5386	1-216-833-11	METAL CHIP 10K 5% 1/10W			
2377		M	RESISTOR		R5387	1-216-841-11	METAL CHIP 47K 5% 1/10W			
2378		M	RESISTOR		R5388	1-216-833-11	METAL CHIP 10K 5% 1/10W			
2379		M	RESISTOR		R5389	1-216-835-11	METAL CHIP 15K 5% 1/10W			
2380		M	RESISTOR		R5390	1-216-809-11	METAL CHIP 100 5% 1/10W			
2381		M	RESISTOR		R5391	1-216-817-11	METAL CHIP 470 5% 1/10W			
2382		M	RESISTOR		R5392	1-216-817-11	METAL CHIP 470 5% 1/10W			
2383		M	RESISTOR		R5393	1-216-864-11	SHORT CHIP 0			
2384		M	RESISTOR		R5394	1-216-864-11	SHORT CHIP 0			
2385		M	RESISTOR		R5395	1-216-841-11	METAL CHIP 47K 5% 1/10W			
2386		M	RESISTOR		R5396	1-216-841-11	METAL CHIP 47K 5% 1/10W			
2387		M	RESISTOR		R5397	1-216-825-11	METAL CHIP 2.2K 5% 1/10W			
2388		M	RESISTOR		R5398	1-216-833-11	METAL CHIP 10K 5% 1/10W			
2389		M	RESISTOR		R5399	1-216-864-11	SHORT CHIP 0			
2390		M	RESISTOR		R5400	1-216-864-11	SHORT CHIP 0			
2391		M	RESISTOR		R5401	1-216-864-11	SHORT CHIP 0			
2392		M	RESISTOR		R5402	1-216-864-11	SHORT CHIP 0			
2393		M	RESISTOR		R5403	1-216-864-11	SHORT CHIP 0			
2394		M	RESISTOR		R5404	1-216-864-11	SHORT CHIP 0			
2395		M	RESISTOR		R5405	1-216-864-11	SHORT CHIP 0			
2396		M	RESISTOR		R5406	1-216-864-11	SHORT CHIP 0			
2397		M	RESISTOR		R5407	1-216-864-11	SHORT CHIP 0			
2398		M	RESISTOR		R5408	1-216-864-11	SHORT CHIP 0			
2399		M	RESISTOR		R5409	1-216-821-11	METAL CHIP 1K 5% 1/10W			
2400		M	RESISTOR		R5410	1-216-827-11	METAL CHIP 3.3K 5% 1/10W			
2401		M	RESISTOR		R5411	1-216-821-11	METAL CHIP 1K 5% 1/10W			
2402		M	RESISTOR		R5412	1-216-821-11	METAL CHIP 1K 5% 1/10W			
2403		M	RESISTOR		R5413	1-216-821-11	METAL CHIP 1K 5% 1/10W			
2404		M	RESISTOR		R5414	1-216-833-11	METAL CHIP 10K 5% 1/10W			
2405		M	RESISTOR		R5415	1-216-821-11	METAL CHIP 1K 5% 1/10W			
2406		M	RESISTOR		R5416	1-216-833-11	METAL CHIP 10K 5% 1/10W			
2407		M	RESISTOR		R5417	1-216-833-11	METAL CHIP 10K 5% 1/10W			
2408		M	RESISTOR		R5418	1-216-821-11	METAL CHIP 1K 5% 1/10W			

No.	#	Board	Type	△/*	Ref.No.	Part No.	Description	Remarks-1	Remarks-2	Difference
2409		M	RESISTOR		R5419	1-216-821-11	METAL CHIP 1K 5% 1/10W			
2410		M	RESISTOR		R5421	1-216-833-11	METAL CHIP 10K 5% 1/10W			
2411		M	RESISTOR		R5422	1-216-833-11	METAL CHIP 10K 5% 1/10W			
2412		M	RESISTOR		R5427	1-216-839-11	METAL CHIP 33K 5% 1/10W			
2413		M	RESISTOR		R5428	1-216-833-11	METAL CHIP 10K 5% 1/10W			
2414		M	RESISTOR		R5429	1-216-833-11	METAL CHIP 10K 5% 1/10W			
2415		M	RESISTOR		R5430	1-216-837-11	METAL CHIP 22K 5% 1/10W			
2416		M	RESISTOR		R5431	1-216-837-11	METAL CHIP 22K 5% 1/10W			
2417		M	RESISTOR		R5432	1-216-845-11	METAL CHIP 100K 5% 1/10W			
2418		M	RESISTOR		R5433	1-216-841-11	METAL CHIP 47K 5% 1/10W			
2419		M	RESISTOR		R5434	1-216-841-11	METAL CHIP 47K 5% 1/10W			
2420		M	RESISTOR		R5435	1-216-833-11	METAL CHIP 10K 5% 1/10W			
2421		M	RESISTOR		R5436	1-216-845-11	METAL CHIP 100K 5% 1/10W			
2422		M	RESISTOR		R5437	1-216-833-11	METAL CHIP 10K 5% 1/10W			
2423		M	RESISTOR		R5438	1-216-845-11	METAL CHIP 100K 5% 1/10W			
2424		M	RESISTOR		R5439	1-216-827-11	METAL CHIP 3.3K 5% 1/10W			
2425		M	NETWORK		RB4900	1-234-370-21	RES, NETWORK 22X4 (1005)			
2426		M	NETWORK		RB4901	1-234-370-21	RES, NETWORK 22X4 (1005)			
2427		M	NETWORK		RB4902	1-234-370-21	RES, NETWORK 22X4 (1005)			
2428		M	NETWORK		RB4903	1-234-370-21	RES, NETWORK 22X4 (1005)			
2429		M	NETWORK		RB4904	1-234-370-21	RES, NETWORK 22X4 (1005)			
2430		M	NETWORK		RB4905	1-233-796-11	RES, NETWORK (1608)			
2431		M	NETWORK		RB4906	1-239-711-91	NETWORK RESISTOR (CHIP) 0			
2432		M	NETWORK		RB4907	1-239-711-91	NETWORK RESISTOR (CHIP) 0			
2433		M	NETWORK		RB4908	1-233-796-11	RES, NETWORK (1608)			
2434		M	NETWORK		RB4909	1-234-371-21	RES, NETWORK 47X4 (1005)			
2435		M	NETWORK		RB4910	1-234-371-21	RES, NETWORK 47X4 (1005)			
2436		M	NETWORK		RB4911	1-234-371-21	RES, NETWORK 47X4 (1005)			
2437		M	NETWORK		RB4912	1-234-371-21	RES, NETWORK 47X4 (1005)			
2438		M	NETWORK		RB4913	1-234-371-21	RES, NETWORK 47X4 (1005)			
2439		M	NETWORK		RB4914	1-234-371-21	RES, NETWORK 47X4 (1005)			
2440		M	NETWORK		RB4915	1-234-371-21	RES, NETWORK 47X4 (1005)			
2441		M	CHIP CHECKER		TP4851	1-535-877-22	CHIP, CHECKER			
2442		M	CHIP CHECKER		TP4900	1-535-877-22	CHIP, CHECKER			
2443		M	CHIP CHECKER		TP4901	1-535-877-22	CHIP, CHECKER			
2444		M	CHIP CHECKER		TP4902	1-535-877-22	CHIP, CHECKER			
2445		M	CHIP CHECKER		TP4903	1-535-877-22	CHIP, CHECKER			
2446		M	CHIP CHECKER		TP4904	1-535-877-22	CHIP, CHECKER			
2447		M	CHIP CHECKER		TP4905	1-535-877-22	CHIP, CHECKER			
2448		M	CHIP CHECKER		TP4906	1-535-877-22	CHIP, CHECKER			
2449		M	CHIP CHECKER		TP4907	1-535-877-22	CHIP, CHECKER			
2450		M	CHIP CHECKER		TP4908	1-535-877-22	CHIP, CHECKER			
2451		M	CHIP CHECKER		TP4909	1-535-877-22	CHIP, CHECKER			

No.	#	Board	Type	△/*	Ref.No.	Part No.	Descrption	Remarks-1	Remarks-2	Difference
2452		M	CHIP CHECKER		TP4911	1-535-877-22	CHIP, CHECKER			
2453		M	CHIP CHECKER		TP4913	1-535-877-22	CHIP, CHECKER			
2454		M	CHIP CHECKER		TP5151	1-535-877-22	CHIP, CHECKER			
2455		M	CHIP CHECKER		TP5200	1-535-877-22	CHIP, CHECKER			
2456		M	CHIP CHECKER		TP5201	1-535-877-22	CHIP, CHECKER			
2457		M	VARISTOR		VD4801	1-805-043-11	ABSORBER, CHIP SURGE			
2458		M	VARISTOR		VD4802	1-805-043-11	ABSORBER, CHIP SURGE			
2459		M	VARISTOR		VD4803	1-805-043-11	ABSORBER, CHIP SURGE			
2460		M	VARISTOR		VD4804	1-805-043-11	ABSORBER, CHIP SURGE			
2461		M	VARISTOR		VD4805	1-805-043-11	ABSORBER, CHIP SURGE			
2462		M	VARISTOR		VD4806	1-805-043-11	ABSORBER, CHIP SURGE			
2463		M	VARISTOR		VD4807	1-805-043-11	ABSORBER, CHIP SURGE			
2464		M	VARISTOR		VD4808	1-805-043-11	ABSORBER, CHIP SURGE			
2465		M	VARISTOR		VD4809	1-805-043-11	ABSORBER, CHIP SURGE			
2466		M	VARISTOR		VD4810	1-805-043-11	ABSORBER, CHIP SURGE			
2467		M	CRYSTAL		X4900	1-795-739-21	CRYSTAL OSCILLATOR (SMD)			
2468		M	CRYSTAL		X5001	1-781-465-21	VIBRATOR, CRYSTAL			
2469		M	CRYSTAL		X5200	1-781-829-21	OSCILLATOR, CRYSTAL (SMD)			
2470		M	CRYSTAL		X5201	1-579-358-21	VIBLATOR, CRYSTAL			
2471		U1	CAPACITOR		C9212	1-107-826-11	CERAMIC CHIP 0.1UF 10.00% 16V			
2472		U1	CAPACITOR		C9221	1-107-826-11	CERAMIC CHIP 0.1UF 10.00% 16V			
2473		U1	CAPACITOR		C9226	1-126-964-11	ELECT 10UF 20.00% 50V			
2474		U1	CAPACITOR		C9401	1-119-824-11	ELECT 10UF 20.00% 50V			
2475		U1	CAPACITOR		C9402	1-119-824-11	ELECT 10UF 20.00% 50V			
2476		U1	CAPACITOR		C9405	1-126-959-11	ELECT 0.47UF 20.00% 50V			
2477		U1	CAPACITOR		C9408	1-126-959-11	ELECT 0.47UF 20.00% 50V			
2478		U1	CAPACITOR		C9409	1-162-970-11	CERAMIC CHIP 0.01UF 10.00% 25V			
2479		U1	CAPACITOR		C9410	1-126-963-11	ELECT 4.7UF 20.00% 50V			
2480		U1	CAPACITOR		C9411	1-119-824-11	ELECT 10UF 20.00% 50V			
2481		U1	CAPACITOR		C9412	1-119-824-11	ELECT 10UF 20.00% 50V			
2482		U1	CAPACITOR		C9414	1-126-963-11	ELECT 4.7UF 20.00% 50V			
2483		U1	CAPACITOR		C9417	1-126-963-11	ELECT 4.7UF 20.00% 50V			
2484		U1	CAPACITOR		C9420	1-119-824-11	ELECT 10UF 20.00% 50V			
2485		U1	CAPACITOR		C9421	1-119-824-11	ELECT 10UF 20.00% 50V			
2486		U1	CAPACITOR		C9423	1-162-970-11	CERAMIC CHIP 0.01UF 10.00% 25V			
2487		U1	CAPACITOR		C9424	1-126-963-11	ELECT 4.7UF 20.00% 50V			
2488		U1	CAPACITOR		C9430	1-119-824-11	ELECT 10UF 20.00% 50V			
2489		U1	CAPACITOR		C9431	1-119-824-11	ELECT 10UF 20.00% 50V			
2490		U1	COATING LEAD PIN	*	CLP2	4-042-408-01	PIN, COATING LEAD			
2491		U1	CONNECTOR		CN9401	1-779-339-21	CONNECTOR, FFC/FPC 30P			
2492		U1	CONNECTOR		CN9402	1-779-338-11	CONNECTOR, FFC/FPC 28P			
2493		U1	CONNECTOR		CN9403	1-774-771-11	CONNECTOR, FFC/FPC 14P			
2494		U1	CONNECTOR	*	CN9404	1-564-519-11	PLUG, CONNECTOR 4P			

No.	#	Board	Type	△/*	Ref.No.	Part No.	Descrption	Remarks-1	Remarks-2	Difference
2495		U1	DIODE		D9224	8-719-041-97	DIODE MA113-(TX)			
2496		U1	DIODE		D9228	8-719-069-55	DIODE UDZSTE-175.6B			
2497		U1	DIODE		D9419	8-719-977-28	DIODE DTZ10B			
2498		U1	DIODE		D9420	8-719-977-28	DIODE DTZ10B			
2499		U1	DIODE		D9424	8-719-977-28	DIODE DTZ10B			
2500		U1	DIODE		D9427	8-719-977-28	DIODE DTZ10B			
2501		U1	DIODE		D9430	8-719-977-28	DIODE DTZ10B			
2502		U1	DIODE		D9431	8-719-977-28	DIODE DTZ10B			
2503		U1	DIODE		D9432	8-719-977-28	DIODE DTZ10B			
2504		U1	DIODE		D9433	8-719-977-28	DIODE DTZ10B			
2505		U1	DIODE		D9434	8-719-977-28	DIODE DTZ10B			
2506		U1	DIODE		D9435	8-719-977-28	DIODE DTZ10B			
2507		U1	DIODE		D9436	8-719-977-28	DIODE DTZ10B			
2508		U1	DIODE		D9438	8-719-977-28	DIODE DTZ10B			
2509		U1	DIODE		D9446	8-719-977-28	DIODE DTZ10B			
2510		U1	DIODE		D9447	8-719-977-28	DIODE DTZ10B			
2511		U1	SOCKET		J9206	1-764-143-11	JACK			
2512		U1	SOCKET		J9400	1-816-393-11	JACK BLOCK, PIN 3P			
2513		U1	SOCKET		J9401	1-816-393-11	JACK BLOCK, PIN 3P			
2514		U1	SOCKET		J9406	1-817-098-11	PIN JACK BLOCK 3P			
2515		U1	SOCKET		J9409	1-764-416-11	TERMINAL BLOCK, (S)			
2516		U1	SOCKET		J9410	1-764-416-11	TERMINAL BLOCK, (S)			
2517		U1	SOCKET		J9411	1-565-838-11	JACK BLOCK, PIN 2P			
2518		U1	SOCKET		J9412	1-565-838-11	JACK BLOCK, PIN 2P			
2519		U1	CHIP CONDUCTOR		JR9400	1-216-296-11	SHORT CHIP 0			
2520		U1	CHIP CONDUCTOR		JR9401	1-216-296-11	SHORT CHIP 0			
2521		U1	CHIP CONDUCTOR		JR9402	1-216-295-91	SHORT CHIP 0			
2522		U1	CHIP CONDUCTOR		JR9403	1-216-295-91	SHORT CHIP 0			
2523		U1	CHIP CONDUCTOR		JR9404	1-216-296-11	SHORT CHIP 0			
2524		U1	CHIP CONDUCTOR		JR9405	1-216-296-11	SHORT CHIP 0			
2525		U1	CHIP CONDUCTOR		JR9406	1-216-295-91	SHORT CHIP 0			
2526		U1	CHIP CONDUCTOR		JR9407	1-216-295-91	SHORT CHIP 0			
2527		U1	CHIP CONDUCTOR		JR9408	1-216-295-91	SHORT CHIP 0			
2528		U1	CHIP CONDUCTOR		JR9409	1-216-295-91	SHORT CHIP 0			
2529		U1	CHIP CONDUCTOR		JR9410	1-216-295-91	SHORT CHIP 0			
2530		U1	CHIP CONDUCTOR		JR9411	1-216-295-91	SHORT CHIP 0			
2531		U1	TRANSISTOR		Q9206	8-729-028-73	TRANSISTOR DTA114EUA-T106			
2532		U1	RESISTOR		R9256	1-216-821-11	METAL CHIP 1K 5% 1/10W			
2533		U1	RESISTOR		R9258	1-216-809-11	METAL CHIP 100 5% 1/10W			
2534		U1	RESISTOR		R9403	1-216-631-11	METAL CHIP 150 0.5% 1/10W			
2535		U1	RESISTOR		R9404	1-216-631-11	METAL CHIP 150 0.5% 1/10W			
2536		U1	RESISTOR		R9405	1-216-631-11	METAL CHIP 150 0.5% 1/10W			
2537		U1	RESISTOR		R9406	1-216-631-11	METAL CHIP 150 0.5% 1/10W			

No.	#	Board	Type	△/*	Ref.No.	Part No.	Description	Remarks-1	Remarks-2	Difference
2538		U1	RESISTOR		R9407	1-216-631-11	METAL CHIP 150 0.5% 1/10W			
2539		U1	RESISTOR		R9408	1-216-849-11	METAL CHIP 220K 5% 1/10W			
2540		U1	RESISTOR		R9409	1-216-631-11	METAL CHIP 150 0.5% 1/10W			
2541		U1	RESISTOR		R9410	1-216-849-11	METAL CHIP 220K 5% 1/10W			
2542		U1	RESISTOR		R9411	1-216-849-11	METAL CHIP 220K 5% 1/10W			
2543		U1	RESISTOR		R9412	1-216-849-11	METAL CHIP 220K 5% 1/10W			
2544		U1	RESISTOR		R9413	1-218-665-11	METAL CHIP 75 0.5% 1/10W			
2545		U1	RESISTOR		R9414	1-218-665-11	METAL CHIP 75 0.5% 1/10W			
2546		U1	RESISTOR		R9415	1-218-665-11	METAL CHIP 75 0.5% 1/10W			
2547		U1	RESISTOR		R9416	1-216-849-11	METAL CHIP 220K 5% 1/10W			
2548		U1	RESISTOR		R9417	1-216-849-11	METAL CHIP 220K 5% 1/10W			
2549		U1	RESISTOR		R9418	1-218-665-11	METAL CHIP 75 0.5% 1/10W			
2550		U1	RESISTOR		R9419	1-218-665-11	METAL CHIP 75 0.5% 1/10W			
2551		U1	RESISTOR		R9420	1-218-665-11	METAL CHIP 75 0.5% 1/10W			
2552		U1	RESISTOR		R9425	1-216-849-11	METAL CHIP 220K 5% 1/10W			
2553		U1	RESISTOR		R9435	1-216-849-11	METAL CHIP 220K 5% 1/10W			
2554		U1	RESISTOR		R9436	1-216-631-11	METAL CHIP 150 0.5% 1/10W			
2555		U1	RESISTOR		R9437	1-216-631-11	METAL CHIP 150 0.5% 1/10W			
2556		U1	RESISTOR		R9438	1-216-631-11	METAL CHIP 150 0.5% 1/10W			
2557		U1	RESISTOR		R9439	1-216-631-11	METAL CHIP 150 0.5% 1/10W			
2558		U1	RESISTOR		R9440	1-216-631-11	METAL CHIP 150 0.5% 1/10W			
2559		U1	RESISTOR		R9441	1-216-631-11	METAL CHIP 150 0.5% 1/10W			
2560		U1	VARISTOR		VD9401	1-803-974-21	VARISTOR, CHIP (1608)			
2561		U1	VARISTOR		VD9402	1-803-974-21	VARISTOR, CHIP (1608)			
2562		U1	VARISTOR		VD9403	1-803-974-21	VARISTOR, CHIP (1608)			
2563		U1	VARISTOR		VD9404	1-803-974-21	VARISTOR, CHIP (1608)			
2564		U1	VARISTOR		VD9407	1-803-974-21	VARISTOR, CHIP (1608)			
2565		U1	VARISTOR		VD9408	1-803-974-21	VARISTOR, CHIP (1608)			
2566		U1	VARISTOR		VD9409	1-803-974-21	VARISTOR, CHIP (1608)			
2567		U1	VARISTOR		VD9410	1-803-974-21	VARISTOR, CHIP (1608)			
2568		U1	VARISTOR		VD9416	1-803-974-21	VARISTOR, CHIP (1608)			
2569		U1	VARISTOR		VD9417	1-803-974-21	VARISTOR, CHIP (1608)			
2570		U1	VARISTOR		VD9418	1-803-974-21	VARISTOR, CHIP (1608)			
2571		U1	VARISTOR		VD9430	1-803-974-21	VARISTOR, CHIP (1608)			
2572		U1	VARISTOR		VD9431	1-803-974-21	VARISTOR, CHIP (1608)			
2573		U1	VARISTOR		VD9432	1-803-974-21	VARISTOR, CHIP (1608)			
2574		U1	VARISTOR		VD9433	1-803-974-21	VARISTOR, CHIP (1608)			
2575		U1	VARISTOR		VD9434	1-803-974-21	VARISTOR, CHIP (1608)			
2576		U1	VARISTOR		VD9435	1-803-974-21	VARISTOR, CHIP (1608)			
2577		U1	VARISTOR		VD9436	1-803-974-21	VARISTOR, CHIP (1608)			
2578		U2	COATING LEAD PIN	*	CLP1	4-042-408-01	PIN, COATING LEAD			
2579		U2	CONNECTOR		CN9406	1-779-329-11	CONNECTOR, FFC/FPC 10P			
2580		U2	DIODE		D9410	1-803-974-21	VARISTOR, CHIP (1608)			

No.	#	Board	Type	△/*	Ref.No.	Part No.	Description	Remarks-1	Remarks-2	Difference
2581		U2	SOCKET		J9405	1-764-416-11	TERMINAL BLOCK, (S)			
2582		U2	RESISTOR		R9428	1-216-849-11	METAL CHIP 220K 5% 1/10W			
2583		U2	RESISTOR		R9429	1-216-849-11	METAL CHIP 220K 5% 1/10W			
2584		U2	RESISTOR		R9430	1-216-849-11	METAL CHIP 220K 5% 1/10W			
2585		U2	VARISTOR		VD9422	1-803-974-21	VARISTOR, CHIP (1608)			
2586		U2	VARISTOR		VD9425	1-803-974-21	VARISTOR, CHIP (1608)			
2587		U2	VARISTOR		VD9426	1-803-974-21	VARISTOR, CHIP (1608)			
2588		AU	CAPACITOR		C4721	1-124-779-00	ELECT CHIP 10UF 20.00% 16V			
2589		AU	CAPACITOR		C4722	1-124-779-00	ELECT CHIP 10UF 20.00% 16V			
2590		AU	CAPACITOR		C4723	1-124-779-00	ELECT CHIP 10UF 20.00% 16V			
2591		AU	CAPACITOR		C4724	1-124-779-00	ELECT CHIP 10UF 20.00% 16V			
2592		AU	CAPACITOR		C4725	1-124-779-00	ELECT CHIP 10UF 20.00% 16V			
2593		AU	CAPACITOR		C4726	1-124-779-00	ELECT CHIP 10UF 20.00% 16V			
2594		AU	CAPACITOR		C4727	1-124-779-00	ELECT CHIP 10UF 20.00% 16V			
2595		AU	CAPACITOR		C4728	1-124-779-00	ELECT CHIP 10UF 20.00% 16V			
2596		AU	CAPACITOR		C4729	1-124-779-00	ELECT CHIP 10UF 20.00% 16V			
2597		AU	CAPACITOR		C4730	1-124-779-00	ELECT CHIP 10UF 20.00% 16V			
2598		AU	CAPACITOR		C4732	1-128-934-91	CERAMIC CHIP 0.33UF 20% 10V			
2599		AU	CAPACITOR		C4733	1-162-977-11	CERAMIC CHIP 0.0018UF 10.00% 50V			
2600		AU	CAPACITOR		C4734	1-164-227-11	CERAMIC CHIP 0.022UF 10.00% 25V			
2601		AU	CAPACITOR		C4735	1-162-967-11	CERAMIC CHIP 0.0033UF 10.00% 50V			
2602		AU	CAPACITOR		C4736	1-164-227-11	CERAMIC CHIP 0.022UF 10.00% 25V			
2603		AU	CAPACITOR		C4737	1-127-715-91	CERAMIC CHIP 0.22UF 10% 16V			
2604		AU	CAPACITOR		C4738	1-162-970-11	CERAMIC CHIP 0.01UF 10.00% 25V			
2605		AU	CAPACITOR		C4739	1-127-715-91	CERAMIC CHIP 0.22UF 10% 16V			
2606		AU	CAPACITOR		C4740	1-128-934-91	CERAMIC CHIP 0.33UF 20% 10V			
2607		AU	CAPACITOR		C4741	1-117-681-11	ELECT CHIP 100UF 20.00% 16V			
2608		AU	CAPACITOR		C4742	1-162-968-11	CERAMIC CHIP 0.0047UF 10.00% 50V			
2609		AU	CAPACITOR		C4743	1-127-715-91	CERAMIC CHIP 0.22UF 10% 16V			
2610		AU	CAPACITOR		C4744	1-126-193-11	ELECT CHIP 1UF 20.00% 50V			
2611		AU	CAPACITOR		C4745	1-126-193-11	ELECT CHIP 1UF 20.00% 50V			
2612		AU	CAPACITOR		C4747	1-107-778-11	ELECT CHIP 470UF 20.00% 16V			
2613		AU	CAPACITOR		C4748	1-162-968-11	CERAMIC CHIP 0.0047UF 10.00% 50V			
2614		AU	CAPACITOR		C4749	1-162-970-11	CERAMIC CHIP 0.01UF 10.00% 25V			
2615		AU	CAPACITOR		C4750	1-126-603-11	ELECT CHIP 4.7UF 20.00% 35V			
2616		AU	CAPACITOR		C4751	1-126-193-11	ELECT CHIP 1UF 20.00% 50V			
2617		AU	CAPACITOR		C4752	1-162-968-11	CERAMIC CHIP 0.0047UF 10.00% 50V			
2618		AU	CAPACITOR		C4753	1-126-193-11	ELECT CHIP 1UF 20.00% 50V			
2619		AU	CAPACITOR		C4754	1-117-681-11	ELECT CHIP 100UF 20.00% 16V			
2620		AU	CAPACITOR		C4755	1-126-193-11	ELECT CHIP 1UF 20.00% 50V			
2621		AU	CAPACITOR		C4756	1-107-826-11	CERAMIC CHIP 0.1UF 10.00% 16V			
2622		AU	CAPACITOR		C4757	1-128-934-91	CERAMIC CHIP 0.33UF 20% 10V			
2623		AU	CAPACITOR		C4758	1-162-977-11	CERAMIC CHIP 0.0018UF 10.00% 50V			

No.	#	Board	Type	△ /*	Ref.No.	Part No.	Descrption	Remarks-1	Remarks-2	Difference
2624		AU	CAPACITOR		C4759	1-164-227-11	CERAMIC CHIP 0.022UF 10.00% 25V			
2625		AU	CAPACITOR		C4760	1-162-967-11	CERAMIC CHIP 0.0033UF 10.00% 50V			
2626		AU	CAPACITOR		C4761	1-126-193-11	ELECT CHIP 1UF 20.00% 50V			
2627		AU	CAPACITOR		C4762	1-126-193-11	ELECT CHIP 1UF 20.00% 50V			
2628		AU	CAPACITOR		C4763	1-126-193-11	ELECT CHIP 1UF 20.00% 50V			
2629		AU	CAPACITOR		C4764	1-126-193-11	ELECT CHIP 1UF 20.00% 50V			
2630		AU	CAPACITOR		C4765	1-162-968-11	CERAMIC CHIP 0.0047UF 10.00% 50V			
2631		AU	CAPACITOR		C4766	1-162-968-11	CERAMIC CHIP 0.0047UF 10.00% 50V			
2632		AU	CAPACITOR		C4767	1-162-970-11	CERAMIC CHIP 0.01UF 10.00% 25V			
2633		AU	CAPACITOR		C4768	1-127-715-91	CERAMIC CHIP 0.22UF 10% 16V			
2634		AU	CAPACITOR		C4770	1-127-715-91	CERAMIC CHIP 0.22UF 10% 16V			
2635		AU	CAPACITOR		C4771	1-107-826-11	CERAMIC CHIP 0.1UF 10.00% 16V			
2636		AU	CAPACITOR		C4772	1-127-804-91	CERAMIC CHIP 100PF 10% 50V			
2637		AU	CAPACITOR		C4773	1-127-715-91	CERAMIC CHIP 0.22UF 10% 16V			
2638		AU	CAPACITOR		C4774	1-128-357-11	ELECT CHIP 10UF 20.00% 16V			
2639		AU	CAPACITOR		C4775	1-128-357-11	ELECT CHIP 10UF 20.00% 16V			
2640		AU	CAPACITOR		C4776	1-127-715-91	CERAMIC CHIP 0.22UF 10% 16V			
2641		AU	CAPACITOR		C4777	1-107-826-11	CERAMIC CHIP 0.1UF 10.00% 16V			
2642		AU	CAPACITOR		C4778	1-117-681-11	ELECT CHIP 100UF 20.00% 16V			
2643		AU	CAPACITOR		C4779	1-124-779-00	ELECT CHIP 10UF 20.00% 16V			
2644		AU	CAPACITOR		C4780	1-117-681-11	ELECT CHIP 100UF 20.00% 16V			
2645		AU	CAPACITOR		C4781	1-107-826-11	CERAMIC CHIP 0.1UF 10.00% 16V			
2646		AU	CAPACITOR		C4782	1-127-804-91	CERAMIC CHIP 100PF 10% 50V			
2647		AU	CAPACITOR		C4784	1-124-779-00	ELECT CHIP 10UF 20.00% 16V			
2648		AU	CAPACITOR		C4785	1-117-681-11	ELECT CHIP 100UF 20.00% 16V			
2649		AU	CAPACITOR		C4786	1-126-193-11	ELECT CHIP 1UF 20.00% 50V			
2650		AU	CAPACITOR		C4787	1-107-826-11	CERAMIC CHIP 0.1UF 10.00% 16V			
2651		AU	CAPACITOR		C4788	1-216-864-11	SHORT CHIP 0			
2652		AU	CAPACITOR		C4789	1-165-908-91	CERAMIC CHIP 1UF 10% 10V			
2653		AU	CAPACITOR		C4790	1-216-864-11	SHORT CHIP 0			
2654		AU	CAPACITOR		C4791	1-216-864-11	SHORT CHIP 0			
2655		AU	CAPACITOR		C4792	1-165-908-91	CERAMIC CHIP 1UF 10% 10V			
2656		AU	CAPACITOR		C4793	1-216-864-11	SHORT CHIP 0			
2657		AU	CAPACITOR		C4794	1-107-826-11	CERAMIC CHIP 0.1UF 10.00% 16V			
2658		AU	CAPACITOR		C4795	1-107-826-11	CERAMIC CHIP 0.1UF 10.00% 16V			
2659		AU	CONNECTOR	*	CN4703	1-815-353-21	CONNECTOR, BOARD TO BOARD 50P			
2660		AU	CONNECTOR		CN4704	1-816-466-21	PIN, CONNECTOR 10P			
2661		AU	DIODE		D4704	8-719-071-74	DIODE HZU11B1TRF			
2662		AU	DIODE		D4705	8-719-050-37	DIODE M1MA152WA-T1			
2663		AU	DIODE		D4706	8-719-050-38	DIODE M1MA152WK-T1			
2664		AU	DIODE		D4707	8-719-914-44	DIODE DAP202K			
2665		AU	DIODE		D4708	8-719-041-97	DIODE MA113-(TX)			
2666		AU	DIODE		D4709	8-719-404-50	DIODE MA111-TX			

No.	#	Board	Type	△/*	Ref.No.	Part No.	Description	Remarks-1	Remarks-2	Difference
2667		AU	DIODE		D4710	8-719-041-97	DIODE MA113-(TX)			
2668		AU	IC		IC4703	6-702-716-01	IC NJW1149			
2669		AU	IC		IC4704	8-759-278-58	IC NJM4558V-TE2			
2670		AU	IC		IC4705	8-759-278-58	IC NJM4558V-TE2			
2671		AU	IC		IC4706	8-759-278-58	IC NJM4558V-TE2			
2672		AU	IC		IC4707	8-759-278-58	IC NJM4558V-TE2			
2673		AU	IC		IC4708	8-759-082-61	IC TC4W53FU			
2674		AU	COIL		L4701	1-412-058-11	INDUCTOR 10UH			
2675		AU	COIL		L4702	1-412-058-11	INDUCTOR 10UH			
2676		AU	COIL		L4703	1-412-058-11	INDUCTOR 10UH			
2677		AU	TRANSISTOR		Q4706	8-729-422-33	TRANSISTOR 2SD601A-Q-TX			
2678		AU	TRANSISTOR		Q4707	8-729-422-33	TRANSISTOR 2SD601A-Q-TX			
2679		AU	TRANSISTOR		Q4708	8-729-216-22	TRANSISTOR 2SA1162-G			
2680		AU	TRANSISTOR		Q4709	1-801-806-11	TR DTC144EKA			
2681		AU	TRANSISTOR		Q4710	8-729-216-22	TRANSISTOR 2SA1162-G			
2682		AU	RESISTOR		R4732	1-216-864-11	SHORT CHIP 0			
2683		AU	RESISTOR		R4733	1-216-864-11	SHORT CHIP 0			
2684		AU	RESISTOR		R4734	1-216-864-11	SHORT CHIP 0			
2685		AU	RESISTOR		R4735	1-216-864-11	SHORT CHIP 0			
2686		AU	RESISTOR		R4736	1-216-864-11	SHORT CHIP 0			
2687		AU	RESISTOR		R4737	1-216-864-11	SHORT CHIP 0			
2688		AU	RESISTOR		R4740	1-216-825-11	METAL CHIP 2.2K 5% 1/10W			
2689		AU	RESISTOR		R4741	1-216-825-11	METAL CHIP 2.2K 5% 1/10W			
2690		AU	RESISTOR		R4742	1-216-828-11	METAL CHIP 3.9K 5% 1/10W			
2691		AU	RESISTOR		R4743	1-216-828-11	METAL CHIP 3.9K 5% 1/10W			
2692		AU	RESISTOR		R4748	1-218-292-11	METAL CHIP 20K 5% 1/10W			
2693		AU	RESISTOR		R4750	1-216-827-11	METAL CHIP 3.3K 5% 1/10W			
2694		AU	RESISTOR		R4751	1-218-292-11	METAL CHIP 20K 5% 1/10W			
2695		AU	RESISTOR		R4752	1-216-809-11	METAL CHIP 100 5% 1/10W			
2696		AU	RESISTOR		R4753	1-216-809-11	METAL CHIP 100 5% 1/10W			
2697		AU	RESISTOR		R4754	1-218-292-11	METAL CHIP 20K 5% 1/10W			
2698		AU	RESISTOR		R4755	1-218-292-11	METAL CHIP 20K 5% 1/10W			
2699		AU	RESISTOR		R4757	1-216-827-11	METAL CHIP 3.3K 5% 1/10W			
2700		AU	RESISTOR		R4758	1-216-829-11	METAL CHIP 4.7K 5% 1/10W			
2701		AU	RESISTOR		R4759	1-216-833-11	METAL CHIP 10K 5% 1/10W			
2702		AU	RESISTOR		R4760	1-216-833-11	METAL CHIP 10K 5% 1/10W			
2703		AU	RESISTOR		R4761	1-216-833-11	METAL CHIP 10K 5% 1/10W			
2704		AU	RESISTOR		R4762	1-216-844-11	METAL CHIP 82K 5% 1/10W			
2705		AU	RESISTOR		R4763	1-216-844-11	METAL CHIP 82K 5% 1/10W			
2706		AU	RESISTOR		R4764	1-216-829-11	METAL CHIP 4.7K 5% 1/10W			
2707		AU	RESISTOR		R4765	1-216-841-11	METAL CHIP 47K 5% 1/10W			
2708		AU	RESISTOR		R4766	1-216-829-11	METAL CHIP 4.7K 5% 1/10W			
2709		AU	RESISTOR		R4768	1-216-821-11	METAL CHIP 1K 5% 1/10W			

No.	#	Board	Type	△/*	Ref.No.	Part No.	Description	Remarks-1	Remarks-2	Difference
2710		AU	RESISTOR		R4769	1-216-841-11	METAL CHIP 47K 5% 1/10W			
2711		AU	RESISTOR		R4770	1-216-837-11	METAL CHIP 22K 5% 1/10W			
2712		AU	RESISTOR		R4771	1-216-833-11	METAL CHIP 10K 5% 1/10W			
2713		AU	RESISTOR		R4772	1-216-829-11	METAL CHIP 4.7K 5% 1/10W			
2714		AU	RESISTOR		R4773	1-216-833-11	METAL CHIP 10K 5% 1/10W			
2715		AU	RESISTOR		R4774	1-216-827-11	METAL CHIP 3.3K 5% 1/10W			
2716		AU	RESISTOR		R4775	1-216-825-11	METAL CHIP 2.2K 5% 1/10W			
2717		AU	RESISTOR		R4776	1-216-815-11	METAL CHIP 330 5% 1/10W			
2718		AU	RESISTOR		R4777	1-216-857-11	METAL CHIP 1M 5% 1/10W			
2719		AU	RESISTOR		R4778	1-216-837-11	METAL CHIP 22K 5% 1/10W			
2720		AU	RESISTOR		R4779	1-216-864-11	SHORT CHIP 0			
2721		AU	RESISTOR		R4780	1-216-841-11	METAL CHIP 47K 5% 1/10W			
2722		AU	RESISTOR		R4781	1-216-830-11	METAL CHIP 5.6K 5% 1/10W			
2723		AU	RESISTOR		R4782	1-216-830-11	METAL CHIP 5.6K 5% 1/10W			
2724		AU	RESISTOR		R4783	1-216-675-91	METAL CHIP 10K 0.5% 1/10W			
2725		AU	RESISTOR		R4784	1-216-675-91	METAL CHIP 10K 0.5% 1/10W			
2726		AU	RESISTOR		R4789	1-216-845-11	METAL CHIP 100K 5% 1/10W			
2727		AU	RESISTOR		R4790	1-216-833-11	METAL CHIP 10K 5% 1/10W			
2728		AU	RESISTOR		R4794	1-216-836-11	METAL CHIP 18K 5% 1/10W			
2729		AU	RESISTOR		R4795	1-216-838-11	METAL CHIP 27K 5% 1/10W			
2730		IFA	CAPACITOR		C8001	1-104-665-11	ELECT 100UF 20.00% 25V			
2731		IFA	CAPACITOR		C8002	1-126-935-11	ELECT 470UF 20.00% 16V			
2732		IFA	CAPACITOR		C8003	1-126-933-11	ELECT 100UF 20.00% 16V			
2733		IFA	CAPACITOR		C8004	1-126-935-11	ELECT 470UF 20.00% 16V			
2734		IFA	COATING LEAD PIN		CLP8001	4-352-844-21	PIN, LEAD, COATING			
2735		IFA	COATING LEAD PIN		CLP8002	4-352-844-21	PIN, LEAD, COATING			
2736		IFA	CONNECTOR		CN8001	1-779-936-21	CONNECTOR, FFC/FPC 18P			
2737		IFA	CONNECTOR		CN8003	1-779-334-11	CONNECTOR, FFC/FPC 20P			
2738		IFA	CONNECTOR	*	CN8004	1-778-391-11	SOCKET, PC CONNECTOR 96P			
2739		IFA	CONNECTOR	*	CN8005	1-816-124-11	PIN, CONNECTOR (FOR PWB) 18P			
2740		IFA	CONNECTOR	*	CN8008	1-691-757-11	PIN, CONNECTOR (PC BOARD) 8P			
2741		IFA	CONNECTOR	*	CN8011	1-793-493-11	CONNECTOR, BOARD TO BOARD 20P			
2742		IFA	DIODE		D8001	8-719-404-50	DIODE MA111-TX			
2743		IFA	CHIP CONDUCTOR		FB8001	1-216-864-11	SHORT CHIP 0			
2744		IFA	CHIP CONDUCTOR		FB8002	1-216-864-11	SHORT CHIP 0			
2745		IFA	CHIP CONDUCTOR		FB8003	1-216-864-11	SHORT CHIP 0			
2746		IFA	CHIP CONDUCTOR		FB8004	1-216-864-11	SHORT CHIP 0			
2747		IFA	CHIP CONDUCTOR		FB8005	1-216-864-11	SHORT CHIP 0			
2748		IFA	CHIP CONDUCTOR		FB8006	1-216-864-11	SHORT CHIP 0			
2749		IFA	CHIP CONDUCTOR		FB8007	1-216-864-11	SHORT CHIP 0			
2750		IFA	CHIP CONDUCTOR		FB8008	1-216-864-11	SHORT CHIP 0			
2751		IFA	CHIP CONDUCTOR		FB8009	1-216-864-11	SHORT CHIP 0			
2752		IFA	CHIP CONDUCTOR		FB8011	1-216-864-11	SHORT CHIP 0			

No.	#	Board	Type	△/*	Ref.No.	Part No.	Descrption	Remarks-1	Remarks-2	Difference
2753		IFA	CHIP CONDUCTOR		FB8012	1-216-864-11	SHORT CHIP 0			
2754		IFA	CHIP CONDUCTOR		FB8013	1-216-864-11	SHORT CHIP 0			
2755		IFA	CHIP CONDUCTOR		FB8014	1-216-864-11	SHORT CHIP 0			
2756		IFA	CHIP CONDUCTOR		FB8015	1-216-864-11	SHORT CHIP 0			
2757		IFA	CHIP CONDUCTOR		FB8016	1-216-864-11	SHORT CHIP 0			
2758		IFA	CHIP CONDUCTOR		FB8017	1-216-864-11	SHORT CHIP 0			
2759		IFA	CHIP CONDUCTOR		FB8018	1-216-864-11	SHORT CHIP 0			
2760		IFA	CHIP CONDUCTOR		FB8062	1-216-864-11	SHORT CHIP 0			
2761		IFA	CHIP CONDUCTOR		FB8063	1-216-864-11	SHORT CHIP 0			
2762		IFA	CHIP CONDUCTOR		FB8064	1-216-864-11	SHORT CHIP 0			
2763		IFA	CHIP CONDUCTOR		FB8065	1-216-864-11	SHORT CHIP 0			
2764		IFA	CHIP CONDUCTOR		FB8066	1-216-864-11	SHORT CHIP 0			
2765		IFA	CHIP CONDUCTOR		FB8067	1-216-864-11	SHORT CHIP 0			
2766		IFA	CHIP CONDUCTOR		FB8068	1-216-864-11	SHORT CHIP 0			
2767		IFA	CHIP CONDUCTOR		FB8069	1-216-864-11	SHORT CHIP 0			
2768		IFA	CHIP CONDUCTOR		FB8070	1-216-864-11	SHORT CHIP 0			
2769		IFA	CHIP CONDUCTOR		FB8071	1-216-864-11	SHORT CHIP 0			
2770		IFA	CHIP CONDUCTOR		FB8072	1-216-864-11	SHORT CHIP 0			
2771		IFA	IC		IC8001	8-759-520-49	IC PQ30RV21			
2772		IFA	IC		IC8002	8-759-459-99	IC PQ09RD11			
2773		IFA	CHIP CONDUCTOR		JR8001	1-216-295-91	SHORT CHIP 0			
2774		IFA	CHIP CONDUCTOR		JR8002	1-216-295-91	SHORT CHIP 0			
2775		IFA	RESISTOR		R8002	1-218-684-11	METAL CHIP 470 0.5% 1/10W			
2776		IFA	RESISTOR		R8003	1-218-696-11	METAL CHIP 1.5K 0.5% 1/10W			
2777		AD	CAPACITOR		C4004	1-162-966-11	CERAMIC CHIP 0.0022UF 10.00% 50V			
2778		AD	CAPACITOR		C4005	1-162-966-11	CERAMIC CHIP 0.0022UF 10.00% 50V			
2779		AD	CAPACITOR		C4024	1-126-204-11	ELECT CHIP 47UF 20.00% 16V			
2780		AD	CAPACITOR		C4025	1-162-974-11	CERAMIC CHIP 0.01UF 50V			
2781		AD	CAPACITOR		C4032	1-164-346-11	CERAMIC CHIP 1UF 16V			
2782		AD	CAPACITOR		C4033	1-164-346-11	CERAMIC CHIP 1UF 16V			
2783		AD	CAPACITOR		C4039	1-117-681-11	ELECT CHIP 100UF 20.00% 16V			
2784		AD	CAPACITOR		C4042	1-162-966-11	CERAMIC CHIP 0.0022UF 10.00% 50V			
2785		AD	CAPACITOR		C4043	1-162-966-11	CERAMIC CHIP 0.0022UF 10.00% 50V			
2786		AD	CAPACITOR		C4044	1-125-837-91	CERAMIC CHIP 1UF 10% 6.3V			
2787		AD	CAPACITOR		C4045	1-124-779-00	ELECT CHIP 10UF 20.00% 16V			
2788		AD	CAPACITOR		C4046	1-125-837-91	CERAMIC CHIP 1UF 10% 6.3V			
2789		AD	CAPACITOR		C4048	1-162-966-11	CERAMIC CHIP 0.0022UF 10.00% 50V			
2790		AD	CAPACITOR		C4049	1-124-779-00	ELECT CHIP 10UF 20.00% 16V			
2791		AD	CAPACITOR		C4051	1-162-966-11	CERAMIC CHIP 0.0022UF 10.00% 50V			
2792		AD	CAPACITOR		C4052	1-125-837-91	CERAMIC CHIP 1UF 10% 6.3V			
2793		AD	CAPACITOR		C4064	1-117-681-11	ELECT CHIP 100UF 20.00% 16V			
2794		AD	CAPACITOR		C4067	1-125-837-91	CERAMIC CHIP 1UF 10% 6.3V			
2795		AD	CAPACITOR		C4071	1-162-966-11	CERAMIC CHIP 0.0022UF 10.00% 50V			

No.	#	Board	Type	△/*	Ref.No.	Part No.	Descrption	Remarks-1	Remarks-2	Difference
2796		AD	CAPACITOR		C4072	1-162-966-11	CERAMIC CHIP 0.0022UF 10.00% 50V			
2797		AD	CAPACITOR		C4073	1-162-966-11	CERAMIC CHIP 0.0022UF 10.00% 50V			
2798		AD	CAPACITOR		C4074	1-162-966-11	CERAMIC CHIP 0.0022UF 10.00% 50V			
2799		AD	CAPACITOR		C4075	1-162-966-11	CERAMIC CHIP 0.0022UF 10.00% 50V			
2800		AD	CAPACITOR		C4076	1-162-966-11	CERAMIC CHIP 0.0022UF 10.00% 50V			
2801		AD	CAPACITOR		C4201	1-127-573-11	CERAMIC CHIP 1UF 10% 16V			
2802		AD	CAPACITOR		C4202	1-127-573-11	CERAMIC CHIP 1UF 10% 16V			
2803		AD	CAPACITOR		C4203	1-124-779-00	ELECT CHIP 10UF 20.00% 16V			
2804		AD	CAPACITOR		C4204	1-107-826-11	CERAMIC CHIP 0.1UF 10.00% 16V			
2805		AD	CAPACITOR		C4205	1-127-573-11	CERAMIC CHIP 1UF 10% 16V			
2806		AD	CAPACITOR		C4206	1-127-573-11	CERAMIC CHIP 1UF 10% 16V			
2807		AD	CAPACITOR		C4207	1-107-826-11	CERAMIC CHIP 0.1UF 10.00% 16V			
2808		AD	CAPACITOR		C4208	1-124-779-00	ELECT CHIP 10UF 20.00% 16V			
2809		AD	CAPACITOR		C4301	1-117-681-11	ELECT CHIP 100UF 20.00% 16V			
2810		AD	CAPACITOR		C4302	1-126-193-11	ELECT CHIP 1UF 20.00% 50V			
2811		AD	CAPACITOR		C4303	1-164-360-11	CERAMIC CHIP 0.1UF 16V			
2812		AD	CAPACITOR		C4304	1-117-681-11	ELECT CHIP 100UF 20.00% 16V			
2813		AD	CAPACITOR		C4305	1-124-779-00	ELECT CHIP 10UF 20.00% 16V			
2814		AD	CAPACITOR		C4306	1-124-779-00	ELECT CHIP 10UF 20.00% 16V			
2815		AD	CAPACITOR		C4307	1-124-779-00	ELECT CHIP 10UF 20.00% 16V			
2816		AD	CAPACITOR		C4308	1-125-837-91	CERAMIC CHIP 1UF 10% 6.3V			
2817		AD	CAPACITOR		C4314	1-128-357-11	ELECT CHIP 10UF 20.00% 16V			
2818		AD	CAPACITOR		C4316	1-128-357-11	ELECT CHIP 10UF 20.00% 16V			
2819		AD	CAPACITOR		C4317	1-124-779-00	ELECT CHIP 10UF 20.00% 16V			
2820		AD	CAPACITOR		C4318	1-124-779-00	ELECT CHIP 10UF 20.00% 16V			
2821		AD	CAPACITOR		C4319	1-124-779-00	ELECT CHIP 10UF 20.00% 16V			
2822		AD	CAPACITOR		C4320	1-128-357-11	ELECT CHIP 10UF 20.00% 16V			
2823		AD	CAPACITOR		C4321	1-128-357-11	ELECT CHIP 10UF 20.00% 16V			
2824		AD	CAPACITOR		C4322	1-125-837-91	CERAMIC CHIP 1UF 10% 6.3V			
2825		AD	CAPACITOR		C4324	1-125-837-91	CERAMIC CHIP 1UF 10% 6.3V			
2826		AD	CAPACITOR		C4338	1-117-681-11	ELECT CHIP 100UF 20.00% 16V			
2827		AD	CAPACITOR		C4340	1-128-357-11	ELECT CHIP 10UF 20.00% 16V			
2828		AD	CAPACITOR		C4341	1-128-357-11	ELECT CHIP 10UF 20.00% 16V			
2829		AD	CAPACITOR		C4344	1-115-156-11	CERAMIC CHIP 1UF 10V			
2830		AD	CAPACITOR		C4345	1-162-974-11	CERAMIC CHIP 0.01UF 50V			
2831		AD	CAPACITOR		C4346	1-125-837-91	CERAMIC CHIP 1UF 10% 6.3V			
2832		AD	CAPACITOR		C4347	1-125-837-91	CERAMIC CHIP 1UF 10% 6.3V			
2833		AD	CAPACITOR		C4348	1-124-779-00	ELECT CHIP 10UF 20.00% 16V			
2834		AD	CAPACITOR		C4349	1-110-530-11	ELECT CHIP 1000UF 20.00% 6.3V			
2835		AD	CAPACITOR		C4350	1-124-779-00	ELECT CHIP 10UF 20.00% 16V			
2836		AD	CAPACITOR		C4351	1-110-530-11	ELECT CHIP 1000UF 20.00% 6.3V			
2837		AD	CAPACITOR		C4352	1-117-681-11	ELECT CHIP 100UF 20.00% 16V			
2838		AD	CAPACITOR		C4353	1-125-837-91	CERAMIC CHIP 1UF 10% 6.3V			

No.	#	Board	Type	△/*	Ref.No.	Part No.	Descrption	Remarks-1	Remarks-2	Difference
2839		AD	CAPACITOR		C4354	1-107-826-11	CERAMIC CHIP 0.1UF 10.00% 16V			
2840		AD	CAPACITOR		C4355	1-125-837-91	CERAMIC CHIP 1UF 10% 6.3V			
2841		AD	CAPACITOR		C4356	1-117-681-11	ELECT CHIP 100UF 20.00% 16V			
2842		AD	CAPACITOR		C4358	1-124-779-00	ELECT CHIP 10UF 20.00% 16V			
2843		AD	CAPACITOR		C4359	1-124-779-00	ELECT CHIP 10UF 20.00% 16V			
2844		AD	CAPACITOR		C4363	1-117-681-11	ELECT CHIP 100UF 20.00% 16V			
2845		AD	CAPACITOR		C4364	1-126-603-11	ELECT CHIP 4.7UF 20.00% 35V			
2846		AD	CAPACITOR		C4365	1-127-715-91	CERAMIC CHIP 0.22UF 10% 16V			
2847		AD	CAPACITOR		C4368	1-164-230-11	CERAMIC CHIP 220PF 5.00% 50V			
2848		AD	CAPACITOR		C4369	1-164-230-11	CERAMIC CHIP 220PF 5.00% 50V			
2849		AD	CAPACITOR		C4376	1-164-156-11	CERAMIC CHIP 0.1UF 25V			
2850		AD	CAPACITOR		C4377	1-164-156-11	CERAMIC CHIP 0.1UF 25V			
2851		AD	CAPACITOR		C4511	1-117-681-11	ELECT CHIP 100UF 20.00% 16V			
2852		AD	CAPACITOR		C4512	1-164-156-11	CERAMIC CHIP 0.1UF 25V			
2853		AD	CAPACITOR		C4513	1-162-921-11	CERAMIC CHIP 33PF 5.00% 50V			
2854		AD	CAPACITOR		C4514	1-164-346-11	CERAMIC CHIP 1UF 16V			
2855		AD	CAPACITOR		C4515	1-164-346-11	CERAMIC CHIP 1UF 16V			
2856		AD	CAPACITOR		C4516	1-164-346-11	CERAMIC CHIP 1UF 16V			
2857		AD	CAPACITOR		C4517	1-164-360-11	CERAMIC CHIP 0.1UF 16V			
2858		AD	CAPACITOR		C4518	1-124-779-00	ELECT CHIP 10UF 20.00% 16V			
2859		AD	CAPACITOR		C4520	1-164-156-11	CERAMIC CHIP 0.1UF 25V			
2860		AD	CAPACITOR		C4521	1-125-891-11	CERAMIC CHIP 0.47UF 10.00% 10V			
2861		AD	CAPACITOR		C4522	1-125-891-11	CERAMIC CHIP 0.47UF 10.00% 10V			
2862		AD	CAPACITOR		C4523	1-124-779-00	ELECT CHIP 10UF 20.00% 16V			
2863		AD	CAPACITOR		C4524	1-124-779-00	ELECT CHIP 10UF 20.00% 16V			
2864		AD	CAPACITOR		C4525	1-164-360-11	CERAMIC CHIP 0.1UF 16V			
2865		AD	CAPACITOR		C4526	1-125-891-11	CERAMIC CHIP 0.47UF 10.00% 10V			
2866		AD	CAPACITOR		C4527	1-124-779-00	ELECT CHIP 10UF 20.00% 16V			
2867		AD	CAPACITOR		C4528	1-124-779-00	ELECT CHIP 10UF 20.00% 16V			
2868		AD	CAPACITOR		C4529	1-124-779-00	ELECT CHIP 10UF 20.00% 16V			
2869		AD	CAPACITOR		C4530	1-125-891-11	CERAMIC CHIP 0.47UF 10.00% 10V			
2870		AD	CAPACITOR		C4531	1-124-779-00	ELECT CHIP 10UF 20.00% 16V			
2871		AD	CAPACITOR		C4532	1-124-779-00	ELECT CHIP 10UF 20.00% 16V			
2872		AD	CAPACITOR		C4533	1-125-891-11	CERAMIC CHIP 0.47UF 10.00% 10V			
2873		AD	CAPACITOR		C4534	1-164-360-11	CERAMIC CHIP 0.1UF 16V			
2874		AD	CAPACITOR		C4535	1-125-891-11	CERAMIC CHIP 0.47UF 10.00% 10V			
2875		AD	CAPACITOR		C4536	1-124-779-00	ELECT CHIP 10UF 20.00% 16V			
2876		AD	CAPACITOR		C4537	1-125-891-11	CERAMIC CHIP 0.47UF 10.00% 10V			
2877		AD	CAPACITOR		C4538	1-125-891-11	CERAMIC CHIP 0.47UF 10.00% 10V			
2878		AD	CAPACITOR		C4539	1-109-982-11	CERAMIC CHIP 1UF 10.00% 10V			
2879		AD	CAPACITOR		C4540	1-124-779-00	ELECT CHIP 10UF 20.00% 16V			
2880		AD	CAPACITOR		C4541	1-126-206-11	ELECT CHIP 100UF 20.00% 6.3V			
2881		AD	CAPACITOR		C4542	1-125-891-11	CERAMIC CHIP 0.47UF 10.00% 10V			

No.	#	Board	Type	△/*	Ref.No.	Part No.	Descrption	Remarks-1	Remarks-2	Difference
2882		AD	CAPACITOR		C4543	1-124-779-00	ELECT CHIP 10UF 20.00% 16V			
2883		AD	CAPACITOR		C4544	1-124-779-00	ELECT CHIP 10UF 20.00% 16V			
2884		AD	CAPACITOR		C4545	1-164-156-11	CERAMIC CHIP 0.1UF 25V			
2885		AD	CAPACITOR		C4546	1-125-891-11	CERAMIC CHIP 0.47UF 10.00% 10V			
2886		AD	CAPACITOR		C4548	1-164-156-11	CERAMIC CHIP 0.1UF 25V			
2887		AD	CAPACITOR		C4549	1-162-970-11	CERAMIC CHIP 0.01UF 10.00% 25V			
2888		AD	CAPACITOR		C4550	1-125-837-91	CERAMIC CHIP 1UF 10% 6.3V			
2889		AD	CAPACITOR		C4551	1-107-826-11	CERAMIC CHIP 0.1UF 10.00% 16V			
2890		AD	CAPACITOR		C4552	1-107-826-11	CERAMIC CHIP 0.1UF 10.00% 16V			
2891		AD	CAPACITOR		C4555	1-164-360-11	CERAMIC CHIP 0.1UF 16V			
2892		AD	CAPACITOR		C4556	1-124-779-00	ELECT CHIP 10UF 20.00% 16V			
2893		AD	CAPACITOR		C7001	1-126-395-11	ELECT CHIP 22UF 20.00% 16V			
2894		AD	CAPACITOR		C7002	1-162-917-11	CERAMIC CHIP 15PF 5.00% 50V			
2895		AD	CAPACITOR		C7004	1-162-970-11	CERAMIC CHIP 0.01UF 10.00% 25V			
2896		AD	CAPACITOR		C7005	1-162-970-11	CERAMIC CHIP 0.01UF 10.00% 25V			
2897		AD	CAPACITOR		C7006	1-124-779-00	ELECT CHIP 10UF 20.00% 16V			
2898		AD	CAPACITOR		C7007	1-162-917-11	CERAMIC CHIP 15PF 5.00% 50V			
2899		AD	CAPACITOR		C7008	1-162-970-11	CERAMIC CHIP 0.01UF 10.00% 25V			
2900		AD	CAPACITOR		C7010	1-162-970-11	CERAMIC CHIP 0.01UF 10.00% 25V			
2901		AD	CAPACITOR		C7011	1-162-970-11	CERAMIC CHIP 0.01UF 10.00% 25V			
2902		AD	CAPACITOR		C7012	1-124-779-00	ELECT CHIP 10UF 20.00% 16V			
2903		AD	CAPACITOR		C7013	1-162-970-11	CERAMIC CHIP 0.01UF 10.00% 25V			
2904		AD	CAPACITOR		C7014	1-162-970-11	CERAMIC CHIP 0.01UF 10.00% 25V			
2905		AD	CAPACITOR		C7015	1-162-970-11	CERAMIC CHIP 0.01UF 10.00% 25V			
2906		AD	CAPACITOR		C7016	1-162-970-11	CERAMIC CHIP 0.01UF 10.00% 25V			
2907		AD	CAPACITOR		C7017	1-164-156-11	CERAMIC CHIP 0.1UF 25V			
2908		AD	CAPACITOR		C7018	1-162-923-11	CERAMIC CHIP 47PF 5.00% 50V			
2909		AD	CAPACITOR		C7019	1-162-923-11	CERAMIC CHIP 47PF 5.00% 50V			
2910		AD	CAPACITOR		C7020	1-162-923-11	CERAMIC CHIP 47PF 5.00% 50V			
2911		AD	CAPACITOR		C7021	1-124-779-00	ELECT CHIP 10UF 20.00% 16V			
2912		AD	CAPACITOR		C7022	1-115-416-11	CERAMIC CHIP 0.001UF 5.00% 25V			
2913		AD	CAPACITOR		C7023	1-162-927-11	CERAMIC CHIP 100PF 5.00% 50V			
2914		AD	CAPACITOR		C7024	1-124-779-00	ELECT CHIP 10UF 20.00% 16V			
2915		AD	CAPACITOR		C7025	1-164-156-11	CERAMIC CHIP 0.1UF 25V			
2916		AD	CAPACITOR		C7026	1-124-779-00	ELECT CHIP 10UF 20.00% 16V			
2917		AD	CAPACITOR		C7027	1-164-156-11	CERAMIC CHIP 0.1UF 25V			
2918		AD	CAPACITOR		C7028	1-164-156-11	CERAMIC CHIP 0.1UF 25V			
2919		AD	CAPACITOR		C7029	1-162-970-11	CERAMIC CHIP 0.01UF 10.00% 25V			
2920		AD	CAPACITOR		C7030	1-162-927-11	CERAMIC CHIP 100PF 5.00% 50V			
2921		AD	CAPACITOR		C7031	1-162-970-11	CERAMIC CHIP 0.01UF 10.00% 25V			
2922		AD	CAPACITOR		C7032	1-164-156-11	CERAMIC CHIP 0.1UF 25V			
2923		AD	CAPACITOR		C7033	1-124-779-00	ELECT CHIP 10UF 20.00% 16V			
2924		AD	CAPACITOR		C7034	1-162-970-11	CERAMIC CHIP 0.01UF 10.00% 25V			

No.	#	Board	Type	△/*	Ref.No.	Part No.	Descrption	Remarks-1	Remarks-2	Difference
2925		AD	CAPACITOR		C7035	1-162-970-11	CERAMIC CHIP 0.01UF 10.00% 25V			
2926		AD	CAPACITOR		C7036	1-164-156-11	CERAMIC CHIP 0.1UF 25V			
2927		AD	CAPACITOR		C7037	1-162-970-11	CERAMIC CHIP 0.01UF 10.00% 25V			
2928		AD	CAPACITOR		C7038	1-162-970-11	CERAMIC CHIP 0.01UF 10.00% 25V			
2929		AD	CAPACITOR		C7039	1-126-395-11	ELECT CHIP 22UF 20.00% 16V			
2930		AD	CAPACITOR		C7040	1-162-921-11	CERAMIC CHIP 33PF 5.00% 50V			
2931		AD	CAPACITOR		C7041	1-164-156-11	CERAMIC CHIP 0.1UF 25V			
2932		AD	CAPACITOR		C7042	1-162-970-11	CERAMIC CHIP 0.01UF 10.00% 25V			
2933		AD	CAPACITOR		C7043	1-162-970-11	CERAMIC CHIP 0.01UF 10.00% 25V			
2934		AD	CAPACITOR		C7044	1-162-970-11	CERAMIC CHIP 0.01UF 10.00% 25V			
2935		AD	CAPACITOR		C7045	1-164-156-11	CERAMIC CHIP 0.1UF 25V			
2936		AD	CAPACITOR		C7046	1-162-970-11	CERAMIC CHIP 0.01UF 10.00% 25V			
2937		AD	CAPACITOR		C7047	1-162-970-11	CERAMIC CHIP 0.01UF 10.00% 25V			
2938		AD	CAPACITOR		C7048	1-164-156-11	CERAMIC CHIP 0.1UF 25V			
2939		AD	CAPACITOR		C7049	1-162-970-11	CERAMIC CHIP 0.01UF 10.00% 25V			
2940		AD	CAPACITOR		C7050	1-162-970-11	CERAMIC CHIP 0.01UF 10.00% 25V			
2941		AD	CAPACITOR		C7051	1-162-970-11	CERAMIC CHIP 0.01UF 10.00% 25V			
2942		AD	CAPACITOR		C7052	1-162-970-11	CERAMIC CHIP 0.01UF 10.00% 25V			
2943		AD	CAPACITOR		C7053	1-162-970-11	CERAMIC CHIP 0.01UF 10.00% 25V			
2944		AD	CAPACITOR		C7054	1-124-779-00	ELECT CHIP 10UF 20.00% 16V			
2945		AD	CAPACITOR		C7056	1-126-395-11	ELECT CHIP 22UF 20.00% 16V			
2946		AD	CAPACITOR		C7057	1-162-921-11	CERAMIC CHIP 33PF 5.00% 50V			
2947		AD	CAPACITOR		C7058	1-162-970-11	CERAMIC CHIP 0.01UF 10.00% 25V			
2948		AD	CAPACITOR		C7059	1-162-970-11	CERAMIC CHIP 0.01UF 10.00% 25V			
2949		AD	CAPACITOR		C7060	1-162-970-11	CERAMIC CHIP 0.01UF 10.00% 25V			
2950		AD	CAPACITOR		C7061	1-164-156-11	CERAMIC CHIP 0.1UF 25V			
2951		AD	CAPACITOR		C7062	1-162-970-11	CERAMIC CHIP 0.01UF 10.00% 25V			
2952		AD	CAPACITOR		C7064	1-126-395-11	ELECT CHIP 22UF 20.00% 16V			
2953		AD	CAPACITOR		C7065	1-162-970-11	CERAMIC CHIP 0.01UF 10.00% 25V			
2954		AD	CAPACITOR		C7066	1-162-970-11	CERAMIC CHIP 0.01UF 10.00% 25V			
2955		AD	CAPACITOR		C7067	1-164-156-11	CERAMIC CHIP 0.1UF 25V			
2956		AD	CAPACITOR		C7068	1-162-970-11	CERAMIC CHIP 0.01UF 10.00% 25V			
2957		AD	CAPACITOR		C7069	1-162-970-11	CERAMIC CHIP 0.01UF 10.00% 25V			
2958		AD	CAPACITOR		C7070	1-164-156-11	CERAMIC CHIP 0.1UF 25V			
2959		AD	CAPACITOR		C7071	1-164-156-11	CERAMIC CHIP 0.1UF 25V			
2960		AD	CAPACITOR		C7072	1-124-779-00	ELECT CHIP 10UF 20.00% 16V			
2961		AD	CAPACITOR		C7073	1-164-156-11	CERAMIC CHIP 0.1UF 25V			
2962		AD	CAPACITOR		C7074	1-162-970-11	CERAMIC CHIP 0.01UF 10.00% 25V			
2963		AD	CAPACITOR		C7075	1-162-970-11	CERAMIC CHIP 0.01UF 10.00% 25V			
2964		AD	CAPACITOR		C7078	1-164-156-11	CERAMIC CHIP 0.1UF 25V			
2965		AD	CAPACITOR		C7079	1-164-156-11	CERAMIC CHIP 0.1UF 25V			
2966		AD	CAPACITOR		C7082	1-164-156-11	CERAMIC CHIP 0.1UF 25V			
2967		AD	CONNECTOR		CN4001	1-817-097-21	PIN, CONNECTOR (1.5MM)(SMD)13P			

No.	#	Board	Type	△/*	Ref.No.	Part No.	Description	Remarks-1	Remarks-2	Difference
2968		AD	CONNECTOR		CN4002	1-794-052-21	FFC/FPC CONNECTOR (LIF(NON-ZIF))32P			
2969		AD	CONNECTOR		CN4003	1-779-339-21	CONNECTOR, FFC/FPC 30P			
2970		AD	CONNECTOR		CN4004	1-779-334-11	CONNECTOR, FFC/FPC 20P			
2971		AD	CONNECTOR		CN4005	1-816-374-21	CONNECTOR, FFC/FPC 40P			
2972		AD	CONNECTOR		CN4301	1-779-329-11	CONNECTOR, FFC/FPC 10P			
2973		AD	CONNECTOR	*	CN4306	1-793-798-21	CONNECTOR, BOARD TO BOARD 50P			
2974		AD	CONNECTOR		CN4501	1-779-338-11	CONNECTOR, FFC/FPC 28P			
2975		AD	CONNECTOR		CN7001	1-816-228-11	CONNECTOR, DVI			
2976		AD	CONNECTOR	*	CN7004	1-564-507-11	PLUG, CONNECTOR 4P			
2977		AD	DIODE		D4007	8-719-081-97	DIODE MMDL914T1			
2978		AD	DIODE		D4301	8-719-914-44	DIODE DAP202K			
2979		AD	DIODE		D4302	8-719-041-97	DIODE MA113-(TX)			
2980		AD	DIODE		D4303	8-719-404-50	DIODE MA111-TX			
2981		AD	DIODE		D4309	8-719-914-43	DIODE DAN202K			
2982		AD	DIODE		D4311	8-719-977-28	DIODE DTZ10B			
2983		AD	DIODE		D4312	8-719-083-79	DIODE MM3Z10VT1			
2984		AD	DIODE		D4313	8-719-083-79	DIODE MM3Z10VT1			
2985		AD	DIODE		D4315	8-719-041-97	DIODE MA113-(TX)			
2986		AD	DIODE		D4317	8-719-050-37	DIODE M1MA152WA-T1			
2987		AD	DIODE		D4319	8-719-041-97	DIODE MA113-(TX)			
2988		AD	DIODE		D4320	8-719-081-97	DIODE MMDL914T1			
2989		AD	DIODE		D4401	8-719-041-97	DIODE MA113-(TX)			
2990		AD	DIODE		D7001	8-719-914-43	DIODE DAN202K			
2991		AD	DIODE		D7002	8-719-069-55	DIODE UDZSTE-175.6B			
2992		AD	DIODE		D7003	8-719-069-55	DIODE UDZSTE-175.6B			
2993		AD	DIODE		D7004	8-719-069-55	DIODE UDZSTE-175.6B			
2994		AD	DIODE		D7005	8-719-977-28	DIODE DTZ10B			
2995		AD	DIODE		D7006	8-719-977-28	DIODE DTZ10B			
2996		AD	DIODE		D7007	8-719-069-55	DIODE UDZSTE-175.6B			
2997		AD	DIODE		D7008	8-719-069-55	DIODE UDZSTE-175.6B			
2998		AD	DIODE		D7009	8-719-069-55	DIODE UDZSTE-175.6B			
2999		AD	FERRITE		FB4501	1-414-228-11	FERRITE 0UH			
3000		AD	FERRITE		FB4502	1-414-228-11	FERRITE 0UH			
3001		AD	FERRITE		FB4503	1-414-228-11	FERRITE 0UH			
3002		AD	FERRITE		FB4504	1-216-864-11	SHORT CHIP 0			
3003		AD	FERRITE		FB4505	1-216-864-11	SHORT CHIP 0			
3004		AD	FERRITE		FB4507	1-414-228-11	FERRITE 0UH			
3005		AD	FERRITE		FB4508	1-469-179-21	FERRITE 0UH			
3006		AD	FERRITE		FB4509	1-469-179-21	FERRITE 0UH			
3007		AD	FERRITE		FB4510	1-408-603-31	INDUCTOR 10UH			
3008		AD	FERRITE		FB7001	1-414-760-21	FERRITE 0UH			
3009		AD	FERRITE		FB7002	1-414-760-21	FERRITE 0UH			
3010		AD	FERRITE		FB7003	1-414-760-21	FERRITE 0UH			

No.	#	Board	Type	△ /*	Ref.No.	Part No.	Description	Remarks-1	Remarks-2	Difference
3011		AD	FERRITE		FB7004	1-414-760-21	FERRITE 0UH			
3012		AD	FERRITE		FB7005	1-469-836-21	FERRITE 0UH			
3013		AD	FERRITE		FB7006	1-469-836-21	FERRITE 0UH			
3014		AD	FERRITE		FB7007	1-414-760-21	FERRITE 0UH			
3015		AD	FERRITE		FB7008	1-414-760-21	FERRITE 0UH			
3016		AD	FILTER		FL4150	1-234-558-21	FILTER, LOW PASS			
3017		AD	FILTER		FL4151	1-234-558-21	FILTER, LOW PASS			
3018		AD	FILTER		FL4501	1-234-557-21	FILTER, LOW PASS			
3019		AD	FILTER		FL4502	1-234-557-21	FILTER, LOW PASS			
3020		AD	FILTER		FL7002	1-234-560-21	FILTER, LOW PASS			
3021		AD	FILTER		FL7003	1-234-559-21	FILTER, LOW PASS			
3022		AD	FILTER		FL7004	1-234-559-21	FILTER, LOW PASS			
3023		AD	IC		IC4001	8-752-080-04	IC CXA2069Q			
3024		AD	IC		IC4301	8-759-278-58	IC NJM4558V-TE2			
3025		AD	IC		IC4303	8-752-080-04	IC CXA2069Q			
3026		AD	IC		IC4306	8-759-683-07	IC BA7622F-E2			
3027		AD	IC		IC4307	8-759-278-58	IC NJM4558V-TE2			
3028		AD	IC		IC4501	8-752-103-44	IC CXA2171Q			
3029		AD	IC		IC4502	8-759-548-56	IC M52055FP			
3030		AD	IC		IC4503	8-759-687-14	IC MAX4451EKA-TG069			
3031		AD	IC		IC4504	8-759-660-21	IC SN74HCT02APWR			
3032		AD	IC		IC7001	8-759-640-39	IC BR24C02F-WE2			
3033		AD	IC		IC7002	8-749-015-18	IC PQ07VZ012ZP			
3034		AD	IC		IC7003	8-749-015-18	IC PQ07VZ012ZP			
3035		AD	IC		IC7004	6-702-080-01	IC GM7030-H			
3036		AD	IC		IC7005	6-802-346-01	IC ST72631K4M1/NNLTR			
3037		AD	IC		IC7006	8-759-641-86	IC BR24C16F-E2			
3038		AD	IC		IC7007	6-702-170-01	IC PACDN006S			
3039		AD	IC		IC7008	6-702-170-01	IC PACDN006S			
3040		AD	IC		IC7009	6-702-170-01	IC PACDN006S			
3041		AD	SOCKET		J7001	1-794-623-11	JACK, PIN 2P			
3042		AD	COIL		L4501	1-469-856-21	INDUCTOR 10UH			
3043		AD	COIL		L4502	1-412-058-11	INDUCTOR 10UH			
3044		AD	COIL		L4503	1-412-058-11	INDUCTOR 10UH			
3045		AD	COIL		L4504	1-412-058-11	INDUCTOR 10UH			
3046		AD	COIL		L4505	1-469-856-21	INDUCTOR 10UH			
3047		AD	COIL		L7001	1-412-056-11	INDUCTOR 4.7UH			
3048		AD	COIL		L7002	1-412-058-11	INDUCTOR 10UH			
3049		AD	TRANSISTOR		Q4005	8-729-026-53	TRANSISTOR 2SA1576A-T106-QR			
3050		AD	TRANSISTOR		Q4006	8-729-026-53	TRANSISTOR 2SA1576A-T106-QR			
3051		AD	TRANSISTOR		Q4009	8-729-026-53	TRANSISTOR 2SA1576A-T106-QR			
3052		AD	TRANSISTOR		Q4010	8-729-026-53	TRANSISTOR 2SA1576A-T106-QR			
3053		AD	TRANSISTOR		Q4011	8-729-905-35	TRANSISTOR 2SC4081-R			

No.	#	Board	Type	△/*	Ref.No.	Part No.	Descrption	Remarks-1	Remarks-2	Difference
3054		AD	TRANSISTOR		Q4012	8-729-905-35	TRANSISTOR 2SC4081-R			
3055		AD	TRANSISTOR		Q4013	8-729-905-35	TRANSISTOR 2SC4081-R			
3056		AD	TRANSISTOR		Q4014	8-729-905-35	TRANSISTOR 2SC4081-R			
3057		AD	TRANSISTOR		Q4201	8-729-010-25	TRANSISTOR MSD601-RT1			
3058		AD	TRANSISTOR		Q4202	8-729-010-25	TRANSISTOR MSD601-RT1			
3059		AD	TRANSISTOR		Q4301	8-729-026-53	TRANSISTOR 2SA1576A-T106-QR			
3060		AD	TRANSISTOR		Q4302	8-729-905-35	TRANSISTOR 2SC4081-R			
3061		AD	TRANSISTOR		Q4303	8-729-905-35	TRANSISTOR 2SC4081-R			
3062		AD	TRANSISTOR		Q4305	8-729-907-00	TRANSISTOR DTC114EU			
3063		AD	TRANSISTOR		Q4308	8-729-905-35	TRANSISTOR 2SC4081-R			
3064		AD	TRANSISTOR		Q4309	8-729-905-35	TRANSISTOR 2SC4081-R			
3065		AD	TRANSISTOR		Q4310	8-729-905-35	TRANSISTOR 2SC4081-R			
3066		AD	TRANSISTOR		Q4312	8-729-026-53	TRANSISTOR 2SA1576A-T106-QR			
3067		AD	TRANSISTOR		Q4313	8-729-905-35	TRANSISTOR 2SC4081-R			
3068		AD	TRANSISTOR		Q4314	8-729-905-35	TRANSISTOR 2SC4081-R			
3069		AD	TRANSISTOR		Q4315	8-729-907-00	TRANSISTOR DTC114EU			
3070		AD	TRANSISTOR		Q4316	8-729-907-00	TRANSISTOR DTC114EU			
3071		AD	TRANSISTOR		Q4320	8-729-905-35	TRANSISTOR 2SC4081-R			
3072		AD	TRANSISTOR		Q4321	8-729-026-53	TRANSISTOR 2SA1576A-T106-QR			
3073		AD	TRANSISTOR		Q4401	8-729-026-53	TRANSISTOR 2SA1576A-T106-QR			
3074		AD	TRANSISTOR		Q4501	8-729-905-35	TRANSISTOR 2SC4081-R			
3075		AD	TRANSISTOR		Q4502	8-729-905-35	TRANSISTOR 2SC4081-R			
3076		AD	TRANSISTOR		Q4503	8-729-905-35	TRANSISTOR 2SC4081-R			
3077		AD	TRANSISTOR		Q4504	8-729-026-53	TRANSISTOR 2SA1576A-T106-QR			
3078		AD	TRANSISTOR		Q4505	8-729-026-53	TRANSISTOR 2SA1576A-T106-QR			
3079		AD	TRANSISTOR		Q4506	8-729-026-53	TRANSISTOR 2SA1576A-T106-QR			
3080		AD	TRANSISTOR		Q4507	8-729-026-53	TRANSISTOR 2SA1576A-T106-QR			
3081		AD	TRANSISTOR		Q4508	8-729-026-53	TRANSISTOR 2SA1576A-T106-QR			
3082		AD	TRANSISTOR		Q4509	8-729-026-53	TRANSISTOR 2SA1576A-T106-QR			
3083		AD	TRANSISTOR		Q4510	8-729-905-35	TRANSISTOR 2SC4081-R			
3084		AD	TRANSISTOR		Q4511	8-729-905-35	TRANSISTOR 2SC4081-R			
3085		AD	TRANSISTOR		Q4512	8-729-905-35	TRANSISTOR 2SC4081-R			
3086		AD	TRANSISTOR		Q4513	8-729-026-53	TRANSISTOR 2SA1576A-T106-QR			
3087		AD	TRANSISTOR		Q4514	8-729-026-53	TRANSISTOR 2SA1576A-T106-QR			
3088		AD	TRANSISTOR		Q4515	8-729-026-53	TRANSISTOR 2SA1576A-T106-QR			
3089		AD	TRANSISTOR		Q4516	8-729-026-53	TRANSISTOR 2SA1576A-T106-QR			
3090		AD	TRANSISTOR		Q4519	8-729-907-00	TRANSISTOR DTC114EU			
3091		AD	RESISTOR		R4005	1-216-809-11	METAL CHIP 100 5% 1/10W			
3092		AD	RESISTOR		R4029	1-218-686-11	METAL CHIP 560 0.5% 1/10W			
3093		AD	RESISTOR		R4030	1-218-686-11	METAL CHIP 560 0.5% 1/10W			
3094		AD	RESISTOR		R4034	1-218-710-11	METAL CHIP 5.6K 0.5% 1/10W			
3095		AD	RESISTOR		R4035	1-218-710-11	METAL CHIP 5.6K 0.5% 1/10W			
3096		AD	RESISTOR		R4037	1-216-809-11	METAL CHIP 100 5% 1/10W			

No.	#	Board	Type	△/*	Ref.No.	Part No.	Description	Remarks-1	Remarks-2	Difference
3097		AD	RESISTOR		R4038	1-216-809-11	METAL CHIP 100 5% 1/10W			
3098		AD	RESISTOR		R4039	1-216-049-11	RES-CHIP 1K 5% 1/10W			
3099		AD	RESISTOR		R4040	1-216-049-11	RES-CHIP 1K 5% 1/10W			
3100		AD	RESISTOR		R4044	1-216-805-11	METAL CHIP 47 5% 1/10W			
3101		AD	RESISTOR		R4045	1-216-805-11	METAL CHIP 47 5% 1/10W			
3102		AD	RESISTOR		R4057	1-218-692-11	METAL CHIP 1K 0.5% 1/10W			
3103		AD	RESISTOR		R4058	1-218-692-11	METAL CHIP 1K 0.5% 1/10W			
3104		AD	RESISTOR		R4059	1-218-695-11	METAL CHIP 1.3K 0.5% 1/10W			
3105		AD	RESISTOR		R4060	1-216-049-11	RES-CHIP 1K 5% 1/10W			
3106		AD	RESISTOR		R4061	1-218-695-11	METAL CHIP 1.3K 0.5% 1/10W			
3107		AD	RESISTOR		R4062	1-216-825-11	METAL CHIP 2.2K 5% 1/10W			
3108		AD	RESISTOR		R4063	1-216-825-11	METAL CHIP 2.2K 5% 1/10W			
3109		AD	RESISTOR		R4064	1-216-041-00	RES-CHIP 470 5% 1/10W			
3110		AD	RESISTOR		R4065	1-216-809-11	METAL CHIP 100 5% 1/10W			
3111		AD	RESISTOR		R4066	1-216-049-11	RES-CHIP 1K 5% 1/10W			
3112		AD	RESISTOR		R4067	1-216-041-00	RES-CHIP 470 5% 1/10W			
3113		AD	RESISTOR		R4068	1-216-825-11	METAL CHIP 2.2K 5% 1/10W			
3114		AD	RESISTOR		R4069	1-216-825-11	METAL CHIP 2.2K 5% 1/10W			
3115		AD	RESISTOR		R4070	1-216-809-11	METAL CHIP 100 5% 1/10W			
3116		AD	RESISTOR		R4071	1-216-809-11	METAL CHIP 100 5% 1/10W			
3117		AD	RESISTOR		R4072	1-216-825-11	METAL CHIP 2.2K 5% 1/10W			
3118		AD	RESISTOR		R4073	1-216-809-11	METAL CHIP 100 5% 1/10W			
3119		AD	RESISTOR		R4075	1-216-809-11	METAL CHIP 100 5% 1/10W			
3120		AD	RESISTOR		R4076	1-216-825-11	METAL CHIP 2.2K 5% 1/10W			
3121		AD	RESISTOR		R4078	1-216-825-11	METAL CHIP 2.2K 5% 1/10W			
3122		AD	RESISTOR		R4079	1-216-809-11	METAL CHIP 100 5% 1/10W			
3123		AD	RESISTOR		R4080	1-216-825-11	METAL CHIP 2.2K 5% 1/10W			
3124		AD	RESISTOR		R4081	1-216-809-11	METAL CHIP 100 5% 1/10W			
3125		AD	RESISTOR		R4082	1-216-809-11	METAL CHIP 100 5% 1/10W			
3126		AD	RESISTOR		R4084	1-216-821-11	METAL CHIP 1K 5% 1/10W			
3127		AD	RESISTOR		R4085	1-216-821-11	METAL CHIP 1K 5% 1/10W			
3128		AD	RESISTOR		R4087	1-216-809-11	METAL CHIP 100 5% 1/10W			
3129		AD	RESISTOR		R4088	1-216-825-11	METAL CHIP 2.2K 5% 1/10W			
3130		AD	RESISTOR		R4089	1-216-809-11	METAL CHIP 100 5% 1/10W			
3131		AD	RESISTOR		R4090	1-216-825-11	METAL CHIP 2.2K 5% 1/10W			
3132		AD	RESISTOR		R4091	1-216-809-11	METAL CHIP 100 5% 1/10W			
3133		AD	RESISTOR		R4092	1-216-809-11	METAL CHIP 100 5% 1/10W			
3134		AD	RESISTOR		R4093	1-216-809-11	METAL CHIP 100 5% 1/10W			
3135		AD	RESISTOR		R4096	1-216-821-11	METAL CHIP 1K 5% 1/10W			
3136		AD	RESISTOR		R4097	1-216-821-11	METAL CHIP 1K 5% 1/10W			
3137		AD	RESISTOR		R4098	1-216-825-11	METAL CHIP 2.2K 5% 1/10W			
3138		AD	RESISTOR		R4099	1-216-809-11	METAL CHIP 100 5% 1/10W			
3139		AD	RESISTOR		R4100	1-216-825-11	METAL CHIP 2.2K 5% 1/10W			

No.	#	Board	Type	△/*	Ref.No.	Part No.	Descrption	Remarks-1	Remarks-2	Difference
3140		AD	RESISTOR		R4101	1-216-825-11	METAL CHIP 2.2K 5% 1/10W			
3141		AD	RESISTOR		R4102	1-216-825-11	METAL CHIP 2.2K 5% 1/10W			
3142		AD	RESISTOR		R4103	1-216-821-11	METAL CHIP 1K 5% 1/10W			
3143		AD	RESISTOR		R4104	1-216-821-11	METAL CHIP 1K 5% 1/10W			
3144		AD	RESISTOR		R4105	1-216-809-11	METAL CHIP 100 5% 1/10W			
3145		AD	RESISTOR		R4106	1-216-809-11	METAL CHIP 100 5% 1/10W			
3146		AD	RESISTOR		R4201	1-216-837-11	METAL CHIP 22K 5% 1/10W			
3147		AD	RESISTOR		R4202	1-216-837-11	METAL CHIP 22K 5% 1/10W			
3148		AD	RESISTOR		R4203	1-216-821-11	METAL CHIP 1K 5% 1/10W			
3149		AD	RESISTOR		R4204	1-218-867-11	METAL CHIP 6.8K 0.5% 1/10W			
3150		AD	RESISTOR		R4205	1-216-834-11	METAL CHIP 12K 5% 1/10W			
3151		AD	RESISTOR		R4206	1-216-815-11	METAL CHIP 330 5% 1/10W			
3152		AD	RESISTOR		R4207	1-216-815-11	METAL CHIP 330 5% 1/10W			
3153		AD	RESISTOR		R4208	1-216-833-11	METAL CHIP 10K 5% 1/10W			
3154		AD	RESISTOR		R4209	1-216-833-11	METAL CHIP 10K 5% 1/10W			
3155		AD	RESISTOR		R4210	1-216-821-11	METAL CHIP 1K 5% 1/10W			
3156		AD	RESISTOR		R4211	1-218-867-11	METAL CHIP 6.8K 0.5% 1/10W			
3157		AD	RESISTOR		R4212	1-216-834-11	METAL CHIP 12K 5% 1/10W			
3158		AD	RESISTOR		R4301	1-216-825-11	METAL CHIP 2.2K 5% 1/10W			
3159		AD	RESISTOR		R4302	1-216-825-11	METAL CHIP 2.2K 5% 1/10W			
3160		AD	RESISTOR		R4303	1-216-037-00	RES-CHIP 330 5% 1/10W			
3161		AD	RESISTOR		R4304	1-216-037-00	RES-CHIP 330 5% 1/10W			
3162		AD	RESISTOR		R4305	1-216-837-11	METAL CHIP 22K 5% 1/10W			
3163		AD	RESISTOR		R4306	1-216-857-11	METAL CHIP 1M 5% 1/10W			
3164		AD	RESISTOR		R4307	1-216-815-11	METAL CHIP 330 5% 1/10W			
3165		AD	RESISTOR		R4308	1-216-815-11	METAL CHIP 330 5% 1/10W			
3166		AD	RESISTOR		R4309	1-216-864-11	SHORT CHIP 0			
3167		AD	RESISTOR		R4311	1-216-853-11	METAL CHIP 470K 5% 1/10W			
3168		AD	RESISTOR		R4312	1-216-853-11	METAL CHIP 470K 5% 1/10W			
3169		AD	RESISTOR		R4314	1-216-841-11	METAL CHIP 47K 5% 1/10W			
3170		AD	RESISTOR		R4316	1-216-809-11	METAL CHIP 100 5% 1/10W			
3171		AD	RESISTOR		R4317	1-216-809-11	METAL CHIP 100 5% 1/10W			
3172		AD	RESISTOR		R4318	1-216-809-11	METAL CHIP 100 5% 1/10W			
3173		AD	RESISTOR		R4319	1-216-809-11	METAL CHIP 100 5% 1/10W			
3174		AD	RESISTOR		R4322	1-216-809-11	METAL CHIP 100 5% 1/10W			
3175		AD	RESISTOR		R4323	1-216-821-11	METAL CHIP 1K 5% 1/10W			
3176		AD	RESISTOR		R4324	1-216-821-11	METAL CHIP 1K 5% 1/10W			
3177		AD	RESISTOR		R4325	1-216-821-11	METAL CHIP 1K 5% 1/10W			
3178		AD	RESISTOR		R4326	1-218-684-11	METAL CHIP 470 0.5% 1/10W			
3179		AD	RESISTOR		R4327	1-218-684-11	METAL CHIP 470 0.5% 1/10W			
3180		AD	RESISTOR		R4328	1-218-685-11	METAL CHIP 510 0.5% 1/10W			
3181		AD	RESISTOR		R4329	1-216-821-11	METAL CHIP 1K 5% 1/10W			
3182		AD	RESISTOR		R4330	1-216-821-11	METAL CHIP 1K 5% 1/10W			

No.	#	Board	Type	△/*	Ref.No.	Part No.	Description	Remarks-1	Remarks-2	Difference
3183		AD	RESISTOR		R4331	1-216-809-11	METAL CHIP 100 5% 1/10W			
3184		AD	RESISTOR		R4332	1-216-809-11	METAL CHIP 100 5% 1/10W			
3185		AD	RESISTOR		R4335	1-216-825-11	METAL CHIP 2.2K 5% 1/10W			
3186		AD	RESISTOR		R4336	1-216-825-11	METAL CHIP 2.2K 5% 1/10W			
3187		AD	RESISTOR		R4343	1-216-825-11	METAL CHIP 2.2K 5% 1/10W			
3188		AD	RESISTOR		R4345	1-216-825-11	METAL CHIP 2.2K 5% 1/10W			
3189		AD	RESISTOR		R4352	1-216-809-11	METAL CHIP 100 5% 1/10W			
3190		AD	RESISTOR		R4358	1-216-809-11	METAL CHIP 100 5% 1/10W			
3191		AD	RESISTOR		R4367	1-216-825-11	METAL CHIP 2.2K 5% 1/10W			
3192		AD	RESISTOR		R4369	1-216-825-11	METAL CHIP 2.2K 5% 1/10W			
3193		AD	RESISTOR		R4370	1-216-809-11	METAL CHIP 100 5% 1/10W			
3194		AD	RESISTOR		R4371	1-216-809-11	METAL CHIP 100 5% 1/10W			
3195		AD	RESISTOR		R4374	1-216-825-11	METAL CHIP 2.2K 5% 1/10W			
3196		AD	RESISTOR		R4375	1-216-825-11	METAL CHIP 2.2K 5% 1/10W			
3197		AD	RESISTOR		R4379	1-216-829-11	METAL CHIP 4.7K 5% 1/10W			
3198		AD	RESISTOR		R4380	1-216-809-11	METAL CHIP 100 5% 1/10W			
3199		AD	RESISTOR		R4381	1-218-665-11	METAL CHIP 75 0.5% 1/10W			
3200		AD	RESISTOR		R4382	1-216-809-11	METAL CHIP 100 5% 1/10W			
3201		AD	RESISTOR		R4383	1-218-665-11	METAL CHIP 75 0.5% 1/10W			
3202		AD	RESISTOR		R4384	1-216-809-11	METAL CHIP 100 5% 1/10W			
3203		AD	RESISTOR		R4385	1-218-665-11	METAL CHIP 75 0.5% 1/10W			
3204		AD	RESISTOR		R4387	1-218-685-11	METAL CHIP 510 0.5% 1/10W			
3205		AD	RESISTOR		R4388	1-218-693-11	METAL CHIP 1.1K 0.5% 1/10W			
3206		AD	RESISTOR		R4389	1-218-692-11	METAL CHIP 1K 0.5% 1/10W			
3207		AD	RESISTOR		R4392	1-216-864-11	SHORT CHIP 0			
3208		AD	RESISTOR		R4393	1-216-864-11	SHORT CHIP 0			
3209		AD	RESISTOR		R4399	1-216-853-11	METAL CHIP 470K 5% 1/10W			
3210		AD	RESISTOR		R4400	1-216-853-11	METAL CHIP 470K 5% 1/10W			
3211		AD	RESISTOR		R4401	1-216-061-91	RES-CHIP 3.3K 5% 1/10W			
3212		AD	RESISTOR		R4402	1-216-061-91	RES-CHIP 3.3K 5% 1/10W			
3213		AD	RESISTOR		R4405	1-216-857-11	METAL CHIP 1M 5% 1/10W			
3214		AD	RESISTOR		R4406	1-216-825-11	METAL CHIP 2.2K 5% 1/10W			
3215		AD	RESISTOR		R4407	1-216-825-11	METAL CHIP 2.2K 5% 1/10W			
3216		AD	RESISTOR		R4408	1-216-837-11	METAL CHIP 22K 5% 1/10W			
3217		AD	RESISTOR		R4409	1-216-864-11	SHORT CHIP 0			
3218		AD	RESISTOR		R4410	1-216-841-11	METAL CHIP 47K 5% 1/10W			
3219		AD	RESISTOR		R4411	1-216-833-11	METAL CHIP 10K 5% 1/10W			
3220		AD	RESISTOR		R4417	1-216-864-11	SHORT CHIP 0			
3221		AD	RESISTOR		R4418	1-216-864-11	SHORT CHIP 0			
3222		AD	RESISTOR		R4425	1-216-833-11	METAL CHIP 10K 5% 1/10W			
3223		AD	RESISTOR		R4426	1-216-841-11	METAL CHIP 47K 5% 1/10W			
3224		AD	RESISTOR		R4427	1-216-809-11	METAL CHIP 100 5% 1/10W			
3225		AD	RESISTOR		R4428	1-216-841-11	METAL CHIP 47K 5% 1/10W			

No.	#	Board	Type	△/*	Ref.No.	Part No.	Descrption	Remarks-1	Remarks-2	Difference
3226		AD	RESISTOR		R4430	1-216-809-11	METAL CHIP 100 5% 1/10W			
3227		AD	RESISTOR		R4431	1-216-841-11	METAL CHIP 47K 5% 1/10W			
3228		AD	RESISTOR		R4432	1-216-809-11	METAL CHIP 100 5% 1/10W			
3229		AD	RESISTOR		R4433	1-216-864-11	SHORT CHIP 0			
3230		AD	RESISTOR		R4434	1-216-864-11	SHORT CHIP 0			
3231		AD	RESISTOR		R4435	1-216-805-11	METAL CHIP 47 5% 1/10W			
3232		AD	RESISTOR		R4436	1-216-805-11	METAL CHIP 47 5% 1/10W			
3233		AD	RESISTOR		R4437	1-216-836-11	METAL CHIP 18K 5% 1/10W			
3234		AD	RESISTOR		R4438	1-216-838-11	METAL CHIP 27K 5% 1/10W			
3235		AD	RESISTOR		R4439	1-216-838-11	METAL CHIP 27K 5% 1/10W			
3236		AD	RESISTOR		R4440	1-216-836-11	METAL CHIP 18K 5% 1/10W			
3237		AD	RESISTOR		R4501	1-216-864-11	SHORT CHIP 0			
3238		AD	RESISTOR		R4507	1-216-809-11	METAL CHIP 100 5% 1/10W			
3239		AD	RESISTOR		R4508	1-216-809-11	METAL CHIP 100 5% 1/10W			
3240		AD	RESISTOR		R4509	1-216-809-11	METAL CHIP 100 5% 1/10W			
3241		AD	RESISTOR		R4510	1-216-817-11	METAL CHIP 470 5% 1/10W			
3242		AD	RESISTOR		R4511	1-216-817-11	METAL CHIP 470 5% 1/10W			
3243		AD	RESISTOR		R4512	1-216-817-11	METAL CHIP 470 5% 1/10W			
3244		AD	RESISTOR		R4513	1-218-686-11	METAL CHIP 560 0.5% 1/10W			
3245		AD	RESISTOR		R4514	1-218-686-11	METAL CHIP 560 0.5% 1/10W			
3246		AD	RESISTOR		R4515	1-218-686-11	METAL CHIP 560 0.5% 1/10W			
3247		AD	RESISTOR		R4516	1-218-710-11	METAL CHIP 5.6K 0.5% 1/10W			
3248		AD	RESISTOR		R4517	1-218-710-11	METAL CHIP 5.6K 0.5% 1/10W			
3249		AD	RESISTOR		R4518	1-218-710-11	METAL CHIP 5.6K 0.5% 1/10W			
3250		AD	RESISTOR		R4519	1-216-809-11	METAL CHIP 100 5% 1/10W			
3251		AD	RESISTOR		R4520	1-216-809-11	METAL CHIP 100 5% 1/10W			
3252		AD	RESISTOR		R4521	1-216-809-11	METAL CHIP 100 5% 1/10W			
3253		AD	RESISTOR		R4522	1-216-053-00	RES-CHIP 1.5K 5% 1/10W			
3254		AD	RESISTOR		R4523	1-216-053-00	RES-CHIP 1.5K 5% 1/10W			
3255		AD	RESISTOR		R4524	1-216-053-00	RES-CHIP 1.5K 5% 1/10W			
3256		AD	RESISTOR		R4525	1-216-864-11	SHORT CHIP 0			
3257		AD	RESISTOR		R4526	1-216-864-11	SHORT CHIP 0			
3258		AD	RESISTOR		R4527	1-218-666-11	METAL CHIP 82 0.5% 1/10W			
3259		AD	RESISTOR		R4528	1-218-668-11	METAL CHIP 100 0.5% 1/10W			
3260		AD	RESISTOR		R4529	1-218-668-11	METAL CHIP 100 0.5% 1/10W			
3261		AD	RESISTOR		R4531	1-218-668-11	METAL CHIP 100 0.5% 1/10W			
3262		AD	RESISTOR		R4532	1-218-669-11	METAL CHIP 110 0.5% 1/10W			
3263		AD	RESISTOR		R4533	1-216-651-11	METAL CHIP 1K 0.5% 1/10W			
3264		AD	RESISTOR		R4534	1-218-669-11	METAL CHIP 110 0.5% 1/10W			
3265		AD	RESISTOR		R4535	1-216-651-11	METAL CHIP 1K 0.5% 1/10W			
3266		AD	RESISTOR		R4536	1-218-669-11	METAL CHIP 110 0.5% 1/10W			
3267		AD	RESISTOR		R4537	1-216-651-11	METAL CHIP 1K 0.5% 1/10W			
3268		AD	RESISTOR		R4538	1-216-823-11	METAL CHIP 1.5K 5% 1/10W			

No.	#	Board	Type	△/*	Ref.No.	Part No.	Descrption	Remarks-1	Remarks-2	Difference
3269		AD	RESISTOR		R4539	1-216-823-11	METAL CHIP 1.5K 5% 1/10W			
3270		AD	RESISTOR		R4540	1-216-823-11	METAL CHIP 1.5K 5% 1/10W			
3271		AD	RESISTOR		R4545	1-216-809-11	METAL CHIP 100 5% 1/10W			
3272		AD	RESISTOR		R4546	1-216-809-11	METAL CHIP 100 5% 1/10W			
3273		AD	RESISTOR		R4547	1-216-809-11	METAL CHIP 100 5% 1/10W			
3274		AD	RESISTOR		R4548	1-216-809-11	METAL CHIP 100 5% 1/10W			
3275		AD	RESISTOR		R4549	1-216-809-11	METAL CHIP 100 5% 1/10W			
3276		AD	RESISTOR		R4550	1-216-809-11	METAL CHIP 100 5% 1/10W			
3277		AD	RESISTOR		R4551	1-216-809-11	METAL CHIP 100 5% 1/10W			
3278		AD	RESISTOR		R4554	1-216-864-11	SHORT CHIP 0			
3279		AD	RESISTOR		R4555	1-216-809-11	METAL CHIP 100 5% 1/10W			
3280		AD	RESISTOR		R4556	1-216-833-11	METAL CHIP 10K 5% 1/10W			
3281		AD	RESISTOR		R4557	1-216-809-11	METAL CHIP 100 5% 1/10W			
3282		AD	RESISTOR		R4558	1-216-809-11	METAL CHIP 100 5% 1/10W			
3283		AD	RESISTOR		R4559	1-216-809-11	METAL CHIP 100 5% 1/10W			
3284		AD	RESISTOR		R4560	1-218-285-11	METAL CHIP 75 5% 1/10W			
3285		AD	RESISTOR		R4561	1-216-805-11	METAL CHIP 47 5% 1/10W			
3286		AD	RESISTOR		R4562	1-216-809-11	METAL CHIP 100 5% 1/10W			
3287		AD	RESISTOR		R4563	1-216-805-11	METAL CHIP 47 5% 1/10W			
3288		AD	RESISTOR		R4564	1-216-809-11	METAL CHIP 100 5% 1/10W			
3289		AD	RESISTOR		R4565	1-216-851-11	METAL CHIP 330K 5% 1/10W			
3290		AD	RESISTOR		R4566	1-216-809-11	METAL CHIP 100 5% 1/10W			
3291		AD	RESISTOR		R4567	1-216-809-11	METAL CHIP 100 5% 1/10W			
3292		AD	RESISTOR		R4568	1-218-652-11	METAL CHIP 22 0.5% 1/10W			
3293		AD	RESISTOR		R4569	1-218-285-11	METAL CHIP 75 5% 1/10W			
3294		AD	RESISTOR		R4570	1-216-821-11	METAL CHIP 1K 5% 1/10W			
3295		AD	RESISTOR		R4571	1-216-821-11	METAL CHIP 1K 5% 1/10W			
3296		AD	RESISTOR		R4572	1-216-821-11	METAL CHIP 1K 5% 1/10W			
3297		AD	RESISTOR		R4573	1-218-693-11	METAL CHIP 1.1K 0.5% 1/10W			
3298		AD	RESISTOR		R4574	1-218-716-11	METAL CHIP 10K 0.5% 1/10W			
3299		AD	RESISTOR		R4575	1-216-821-11	METAL CHIP 1K 5% 1/10W			
3300		AD	RESISTOR		R4577	1-216-797-11	METAL CHIP 10 5% 1/10W			
3301		AD	RESISTOR		R4579	1-218-668-11	METAL CHIP 100 0.5% 1/10W			
3302		AD	RESISTOR		R4580	1-218-668-11	METAL CHIP 100 0.5% 1/10W			
3303		AD	RESISTOR		R4581	1-218-668-11	METAL CHIP 100 0.5% 1/10W			
3304		AD	RESISTOR		R4582	1-216-053-00	RES-CHIP 1.5K 5% 1/10W			
3305		AD	RESISTOR		R4583	1-216-053-00	RES-CHIP 1.5K 5% 1/10W			
3306		AD	RESISTOR		R4584	1-216-806-11	METAL CHIP 56 5% 1/10W			
3307		AD	RESISTOR		R4585	1-216-806-11	METAL CHIP 56 5% 1/10W			
3308		AD	RESISTOR		R4586	1-216-041-00	RES-CHIP 470 5% 1/10W			
3309		AD	RESISTOR		R4587	1-216-806-11	METAL CHIP 56 5% 1/10W			
3310		AD	RESISTOR		R4589	1-216-809-11	METAL CHIP 100 5% 1/10W			
3311		AD	RESISTOR		R7003	1-216-821-11	METAL CHIP 1K 5% 1/10W			

No.	#	Board	Type	△/*	Ref.No.	Part No.	Description	Remarks-1	Remarks-2	Difference
3312		AD	RESISTOR		R7004	1-218-852-11	METAL CHIP 1.6K 0.5% 1/10W			
3313		AD	RESISTOR		R7005	1-216-833-11	METAL CHIP 10K 5% 1/10W			
3314		AD	RESISTOR		R7006	1-216-833-11	METAL CHIP 10K 5% 1/10W			
3315		AD	RESISTOR		R7007	1-216-821-11	METAL CHIP 1K 5% 1/10W			
3316		AD	RESISTOR		R7011	1-216-849-11	METAL CHIP 220K 5% 1/10W			
3317		AD	RESISTOR		R7012	1-216-821-11	METAL CHIP 1K 5% 1/10W			
3318		AD	RESISTOR		R7013	1-216-821-11	METAL CHIP 1K 5% 1/10W			
3319		AD	RESISTOR		R7014	1-216-821-11	METAL CHIP 1K 5% 1/10W			
3320		AD	RESISTOR		R7015	1-216-833-11	METAL CHIP 10K 5% 1/10W			
3321		AD	RESISTOR		R7016	1-216-833-11	METAL CHIP 10K 5% 1/10W			
3322		AD	RESISTOR		R7020	1-216-833-11	METAL CHIP 10K 5% 1/10W			
3323		AD	RESISTOR		R7021	1-216-833-11	METAL CHIP 10K 5% 1/10W			
3324		AD	RESISTOR		R7022	1-216-849-11	METAL CHIP 220K 5% 1/10W			
3325		AD	RESISTOR		R7023	1-216-833-11	METAL CHIP 10K 5% 1/10W			
3326		AD	RESISTOR		R7024	1-216-833-11	METAL CHIP 10K 5% 1/10W			
3327		AD	RESISTOR		R7025	1-216-833-11	METAL CHIP 10K 5% 1/10W			
3328		AD	RESISTOR		R7026	1-216-833-11	METAL CHIP 10K 5% 1/10W			
3329		AD	RESISTOR		R7029	1-218-692-11	METAL CHIP 1K 0.5% 1/10W			
3330		AD	RESISTOR		R7030	1-414-760-21	FERRITE 0UH			
3331		AD	RESISTOR		R7032	1-218-676-11	METAL CHIP 220 0.5% 1/10W			
3332		AD	RESISTOR		R7034	1-218-676-11	METAL CHIP 220 0.5% 1/10W			
3333		AD	RESISTOR		R7036	1-218-704-11	METAL CHIP 3.3K 0.5% 1/10W			
3334		AD	RESISTOR		R7037	1-218-676-11	METAL CHIP 220 0.5% 1/10W			
3335		AD	RESISTOR		R7040	1-216-837-11	METAL CHIP 22K 5% 1/10W			
3336		AD	RESISTOR		R7041	1-216-833-11	METAL CHIP 10K 5% 1/10W			
3337		AD	RESISTOR		R7043	1-216-829-11	METAL CHIP 4.7K 5% 1/10W			
3338		AD	RESISTOR		R7044	1-216-829-11	METAL CHIP 4.7K 5% 1/10W			
3339		AD	RESISTOR		R7045	1-216-837-11	METAL CHIP 22K 5% 1/10W			
3340		AD	RESISTOR		R7047	1-216-833-11	METAL CHIP 10K 5% 1/10W			
3341		AD	RESISTOR		R7051	1-216-864-11	SHORT CHIP 0			
3342		AD	RESISTOR		R7053	1-216-833-11	METAL CHIP 10K 5% 1/10W			
3343		AD	RESISTOR		R7054	1-216-833-11	METAL CHIP 10K 5% 1/10W			
3344		AD	RESISTOR		R7056	1-216-833-11	METAL CHIP 10K 5% 1/10W			
3345		AD	RESISTOR		R7057	1-414-760-21	FERRITE 0UH			
3346		AD	RESISTOR		R7058	1-216-833-11	METAL CHIP 10K 5% 1/10W			
3347		AD	RESISTOR		R7060	1-216-833-11	METAL CHIP 10K 5% 1/10W			
3348		AD	RESISTOR		R7061	1-216-833-11	METAL CHIP 10K 5% 1/10W			
3349		AD	RESISTOR		R7062	1-414-760-21	FERRITE 0UH			
3350		AD	RESISTOR		R7063	1-216-809-11	METAL CHIP 100 5% 1/10W			
3351		AD	RESISTOR		R7064	1-216-809-11	METAL CHIP 100 5% 1/10W			
3352		AD	RESISTOR		R7066	1-218-694-11	METAL CHIP 1.2K 0.5% 1/10W			
3353		AD	RESISTOR		R7067	1-216-833-11	METAL CHIP 10K 5% 1/10W			
3354		AD	RESISTOR		R7068	1-216-809-11	METAL CHIP 100 5% 1/10W			

No.	#	Board	Type	△/*	Ref.No.	Part No.	Description	Remarks-1	Remarks-2	Difference
3355		AD	RESISTOR		R7069	1-216-809-11	METAL CHIP 100 5% 1/10W			
3356		AD	RESISTOR		R7071	1-216-803-11	METAL CHIP 33 5% 1/10W			
3357		AD	RESISTOR		R7072	1-216-803-11	METAL CHIP 33 5% 1/10W			
3358		AD	RESISTOR		R7075	1-218-676-11	METAL CHIP 220 0.5% 1/10W			
3359		AD	RESISTOR		R7080	1-218-680-11	METAL CHIP 330 0.5% 1/10W			
3360		AD	RESISTOR		R7087	1-218-680-11	METAL CHIP 330 0.5% 1/10W			
3361		AD	RESISTOR		R7096	1-216-833-11	METAL CHIP 10K 5% 1/10W			
3362		AD	RESISTOR		R7097	1-216-805-11	METAL CHIP 47 5% 1/10W			
3363		AD	RESISTOR		R7098	1-216-805-11	METAL CHIP 47 5% 1/10W			
3364		AD	RESISTOR		R7099	1-216-805-11	METAL CHIP 47 5% 1/10W			
3365		AD	RESISTOR		R7101	1-216-864-11	SHORT CHIP 0			
3366		AD	RESISTOR		R7106	1-216-833-11	METAL CHIP 10K 5% 1/10W			
3367		AD	RESISTOR		R7108	1-216-805-11	METAL CHIP 47 5% 1/10W			
3368		AD	RESISTOR		R7109	1-216-805-11	METAL CHIP 47 5% 1/10W			
3369		AD	RESISTOR		R7111	1-216-864-11	SHORT CHIP 0			
3370		AD	RESISTOR		R7112	1-216-864-11	SHORT CHIP 0			
3371		AD	RESISTOR		R7113	1-216-864-11	SHORT CHIP 0			
3372		AD	RESISTOR		R7114	1-218-700-11	METAL CHIP 2.2K 0.5% 1/10W			
3373		AD	RESISTOR		R7115	1-218-700-11	METAL CHIP 2.2K 0.5% 1/10W			
3374		AD	RESISTOR		R7116	1-218-700-11	METAL CHIP 2.2K 0.5% 1/10W			
3375		AD	RESISTOR		R7117	1-218-668-11	METAL CHIP 100 0.5% 1/10W			
3376		AD	RESISTOR		R7119	1-218-668-11	METAL CHIP 100 0.5% 1/10W			
3377		AD	RESISTOR		R7121	1-216-864-11	SHORT CHIP 0			
3378		AD	RESISTOR		R7123	1-218-704-11	METAL CHIP 3.3K 0.5% 1/10W			
3379		AD	RESISTOR		R7124	1-218-704-11	METAL CHIP 3.3K 0.5% 1/10W			
3380		AD	RESISTOR		R7125	1-218-700-11	METAL CHIP 2.2K 0.5% 1/10W			
3381		AD	CRYSTAL		X4501	1-795-214-21	VIBRATOR, CERAMIC (4MHZ)			
3382		AD	CRYSTAL		X7001	1-795-568-21	VIBRATOR, CRYSTAL			
3383		AD	CRYSTAL		X7002	1-795-567-21	VIBRATOR, CRYSTAL			
3384		H2	CAPACITOR		C50	1-119-824-11	ELECT 10UF 20.00% 50V			
3385		H2	CAPACITOR		C51	1-119-824-11	ELECT 10UF 20.00% 50V			
3386		H2	CAPACITOR		C52	1-126-964-11	ELECT 10UF 20.00% 50V			
3387		H2	CAPACITOR		C53	1-126-964-11	ELECT 10UF 20.00% 50V			
3388		H2	CAPACITOR		C70	1-162-974-11	CERAMIC CHIP 0.01UF 50V			
3389		H2	CAPACITOR		C72	1-115-156-11	CERAMIC CHIP 1UF 10V			
3390		H2	CAPACITOR		C77	1-162-970-11	CERAMIC CHIP 0.01UF 10.00% 25V			
3391		H2	CAPACITOR		C79	1-216-864-11	SHORT CHIP 0			
3392		H2	CAPACITOR		C80	1-216-864-11	SHORT CHIP 0			
3393		H2	CONNECTOR		CN43	1-817-097-21	PIN, CONNECTOR (1.5MM)(SMD)13P			
3394		H2	DIODE		D40	8-719-977-28	DIODE DTZ10B			
3395		H2	DIODE		D49	8-719-977-28	DIODE DTZ10B			
3396		H2	DIODE		D50	8-719-977-28	DIODE DTZ10B			
3397		H2	DIODE		D51	8-719-977-28	DIODE DTZ10B			

No.	#	Board	Type	△/*	Ref.No.	Part No.	Description	Remarks-1	Remarks-2	Difference
3398		H2	DIODE		D52	8-719-977-28	DIODE DTZ10B			
3399		H2	SOCKET		J40	1-694-716-11	TERMINAL BLOCK, S(LIGHT ANGLE)			
3400		H2	RESISTOR		R46	1-216-849-11	METAL CHIP 220K 5% 1/10W			
3401		H2	RESISTOR		R47	1-216-849-11	METAL CHIP 220K 5% 1/10W			
3402		H2	RESISTOR		R48	1-218-665-11	METAL CHIP 75 0.5% 1/10W			
3403		H2	RESISTOR		R50	1-218-665-11	METAL CHIP 75 0.5% 1/10W			
3404		H2	RESISTOR		R75	1-216-821-11	METAL CHIP 1K 5% 1/10W			
3405		H2	RESISTOR		R89	1-218-665-11	METAL CHIP 75 0.5% 1/10W			
3406		H2	RESISTOR		R95	1-216-864-11	SHORT CHIP 0			
3407		H2	RESISTOR		R96	1-216-864-11	SHORT CHIP 0			
3408		H2	VARISTOR		VD40	1-803-974-21	VARISTOR, CHIP (1608)			
3409		DP	CAPACITOR		C1606	1-164-156-11	CERAMIC CHIP 0.1UF 25V			
3410		DP	CAPACITOR		C1607	1-164-156-11	CERAMIC CHIP 0.1UF 25V			
3411		DP	CAPACITOR		C1608	1-164-156-11	CERAMIC CHIP 0.1UF 25V			
3412		DP	CAPACITOR		C1609	1-110-530-11	ELECT CHIP 1000UF 20.00% 6.3V			
3413		DP	CAPACITOR		C1610	1-110-530-11	ELECT CHIP 1000UF 20.00% 6.3V			
3414		DP	CAPACITOR		C1611	1-110-530-11	ELECT CHIP 1000UF 20.00% 6.3V			
3415		DP	CAPACITOR		C1612	1-164-156-11	CERAMIC CHIP 0.1UF 25V			
3416		DP	CAPACITOR		C1613	1-164-156-11	CERAMIC CHIP 0.1UF 25V			
3417		DP	CAPACITOR		C1614	1-164-156-11	CERAMIC CHIP 0.1UF 25V			
3418		DP	CAPACITOR		C1615	1-119-765-11	ELECT 47UF 20.00% 6.3V			
3419		DP	CAPACITOR		C1616	1-119-765-11	ELECT 47UF 20.00% 6.3V			
3420		DP	CAPACITOR		C1617	1-119-765-11	ELECT 47UF 20.00% 6.3V			
3421		DP	CAPACITOR		C1618	1-165-176-11	CERAMIC CHIP 0.047UF 10.00% 16V			
3422		DP	CAPACITOR		C1619	1-165-176-11	CERAMIC CHIP 0.047UF 10.00% 16V			
3423		DP	CAPACITOR		C1620	1-165-176-11	CERAMIC CHIP 0.047UF 10.00% 16V			
3424		DP	CAPACITOR		C1624	1-216-864-11	SHORT CHIP 0			
3425		DP	CAPACITOR		C1625	1-216-864-11	SHORT CHIP 0			
3426		DP	CAPACITOR		C1626	1-216-864-11	SHORT CHIP 0			
3427		DP	CAPACITOR		C1627	1-164-156-11	CERAMIC CHIP 0.1UF 25V			
3428		DP	CAPACITOR		C1628	1-164-156-11	CERAMIC CHIP 0.1UF 25V			
3429		DP	CAPACITOR		C1629	1-164-156-11	CERAMIC CHIP 0.1UF 25V			
3430		DP	CAPACITOR		C1630	1-165-811-91	CERAMIC CHIP 22UF 10% 16V			
3431		DP	CAPACITOR		C1631	1-165-811-91	CERAMIC CHIP 22UF 10% 16V			
3432		DP	CAPACITOR		C1632	1-165-811-91	CERAMIC CHIP 22UF 10% 16V			
3433		DP	CAPACITOR		C1633	1-165-811-91	CERAMIC CHIP 22UF 10% 16V			
3434		DP	CAPACITOR		C1634	1-165-811-91	CERAMIC CHIP 22UF 10% 16V			
3435		DP	CAPACITOR		C1636	1-128-396-11	ELECT CHIP 470UF 20.00% 10V			
3436		DP	CAPACITOR		C1637	1-128-396-11	ELECT CHIP 470UF 20.00% 10V			
3437		DP	CAPACITOR		C1638	1-128-396-11	ELECT CHIP 470UF 20.00% 10V			
3438		DP	CAPACITOR		C1640	1-162-970-11	CERAMIC CHIP 0.01UF 10.00% 25V			
3439		DP	CONNECTOR	*	CN1601	1-764-333-11	PLUG, CONNECTOR (V) 10P			
3440		DP	CONNECTOR		CN1604	1-793-496-11	CONNECTOR, BOARD TO BOARD 20P			

No.	#	Board	Type	△/*	Ref.No.	Part No.	Descrption	Remarks-1	Remarks-2	Difference
3441		DP	DIODE		D1601	8-719-404-50	DIODE MA111-TX			
3442		DP	DIODE		D1602	8-719-404-50	DIODE MA111-TX			
3443		DP	DIODE		D1603	8-719-404-50	DIODE MA111-TX			
3444		DP	DIODE		D1604	8-719-056-78	DIODE UDZ-TE-17-4.3B			
3445		DP	DIODE		D1605	8-719-056-78	DIODE UDZ-TE-17-4.3B			
3446		DP	DIODE		D1606	8-719-056-78	DIODE UDZ-TE-17-4.3B			
3447		DP	DIODE		D1607	8-719-066-33	DIODE RB081L-20TE25			
3448		DP	DIODE		D1608	8-719-066-33	DIODE RB081L-20TE25			
3449		DP	DIODE		D1609	8-719-066-33	DIODE RB081L-20TE25			
3450		DP	DIODE		D1610	8-719-066-33	DIODE RB081L-20TE25			
3451		DP	DIODE		D1611	8-719-066-33	DIODE RB081L-20TE25			
3452		DP	DIODE		D1612	8-719-066-33	DIODE RB081L-20TE25			
3453		DP	FERRITE		FB1601	1-469-568-21	FERRITE 0UH			
3454		DP	FILTER		FL1602	1-234-494-21	FILTER, EMI REMOVAL (SMD)			
3455		DP	FILTER		FL1604	1-234-494-21	FILTER, EMI REMOVAL (SMD)			
3456		DP	FILTER		FL1606	1-234-494-21	FILTER, EMI REMOVAL (SMD)			
3457		DP	FILTER		FL1608	1-234-494-21	FILTER, EMI REMOVAL (SMD)			
3458		DP	FILTER		FL1610	1-234-494-21	FILTER, EMI REMOVAL (SMD)			
3459		DP	FILTER		FL1612	1-234-494-21	FILTER, EMI REMOVAL (SMD)			
3460		DP	IC		IC1603	8-759-677-25	IC S-8520B25MC-ARK-T2			
3461		DP	IC		IC1604	8-759-677-27	IC S-8520B33MC-ARS-T2			
3462		DP	IC		IC1605	6-700-598-01	IC S-8520B18MC-ARD-T2			
3463		DP	COIL		L1601	1-424-758-21	INDUCTOR 10UH			
3464		DP	COIL		L1602	1-424-758-21	INDUCTOR 10UH			
3465		DP	COIL		L1603	1-424-758-21	INDUCTOR 10UH			
3466		DP	COIL		L1604	1-424-922-21	INDUCTOR 10UH			
3467		DP	COIL		L1605	1-424-758-21	INDUCTOR 10UH			
3468		DP	COIL		L1606	1-424-758-21	INDUCTOR 10UH			
3469		DP	FUSE	△	PS1601	1-533-272-11	FUSE 4A 125V			
3470		DP	FUSE	△	PS1602	1-533-272-11	FUSE 4A 125V			
3471		DP	FUSE	△	PS1603	1-533-272-11	FUSE 4A 125V			
3472		DP	TRANSISTOR		Q1608	8-729-905-35	TRANSISTOR 2SC4081-R			
3473		DP	TRANSISTOR	*	Q1609	8-729-045-93	TRANSISTOR IMZ4T108			
3474		DP	TRANSISTOR	*	Q1610	8-729-045-93	TRANSISTOR IMZ4T108			
3475		DP	TRANSISTOR	*	Q1611	8-729-045-93	TRANSISTOR IMZ4T108			
3476		DP	TRANSISTOR		Q1612	8-729-052-44	TRANSISTOR 2SJ538-TL			
3477		DP	TRANSISTOR		Q1613	8-729-052-44	TRANSISTOR 2SJ538-TL			
3478		DP	TRANSISTOR		Q1614	8-729-052-44	TRANSISTOR 2SJ538-TL			
3479		DP	RESISTOR		R1614	1-216-833-11	METAL CHIP 10K 5% 1/10W			
3480		DP	RESISTOR		R1615	1-218-871-11	METAL CHIP 10K 0.5% 1/10W			
3481		DP	RESISTOR		R1616	1-218-871-11	METAL CHIP 10K 0.5% 1/10W			
3482		DP	RESISTOR		R1617	1-218-871-11	METAL CHIP 10K 0.5% 1/10W			
3483		DP	RESISTOR		R1618	1-218-837-11	METAL CHIP 390 0.5% 1/10W			

No.	#	Board	Type	△/*	Ref.No.	Part No.	Descrption	Remarks-1	Remarks-2	Difference
3484		DP	RESISTOR		R1619	1-218-835-11	METAL CHIP 330 0.5% 1/10W			
3485		DP	RESISTOR		R1620	1-218-837-11	METAL CHIP 390 0.5% 1/10W			
3486		DP	RESISTOR		R1621	1-216-821-11	METAL CHIP 1K 5% 1/10W			
3487		DP	RESISTOR		R1622	1-216-821-11	METAL CHIP 1K 5% 1/10W			
3488		DP	RESISTOR		R1623	1-216-821-11	METAL CHIP 1K 5% 1/10W			
3489		DP	RESISTOR		R1624	1-216-864-11	SHORT CHIP 0			
3490		DP	RESISTOR		R1625	1-216-864-11	SHORT CHIP 0			
3491		DP	RESISTOR		R1626	1-216-864-11	SHORT CHIP 0			
3492		DP	RESISTOR		R1627	1-216-864-11	SHORT CHIP 0			
3493		DP	RESISTOR		R1628	1-216-864-11	SHORT CHIP 0			
3494		DP	RESISTOR		R1629	1-216-864-11	SHORT CHIP 0			
3495		DP	RESISTOR		R1630	1-216-864-11	SHORT CHIP 0			
3496		DP	RESISTOR		R1631	1-216-864-11	SHORT CHIP 0			
3497		DP	RESISTOR		R1632	1-216-864-11	SHORT CHIP 0			
3498		MS2	CAPACITOR		C1405	1-164-156-11	CERAMIC CHIP 0.1UF 25V			
3499		MS2	CAPACITOR		C1406	1-163-021-91	CERAMIC CHIP 0.01UF 10.00% 50V			
3500		MS2	CAPACITOR		C1408	1-124-779-00	ELECT CHIP 10UF 20.00% 16V			
3501		MS2	CAPACITOR		C1409	1-164-156-11	CERAMIC CHIP 0.1UF 25V			
3502		MS2	CAPACITOR		C1410	1-163-021-91	CERAMIC CHIP 0.01UF 10.00% 50V			
3503		MS2	CAPACITOR		C1412	1-164-156-11	CERAMIC CHIP 0.1UF 25V			
3504		MS2	CAPACITOR		C1413	1-126-390-11	ELECT CHIP 22UF 20.00% 6.3V			
3505		MS2	CAPACITOR		C1414	1-107-826-11	CERAMIC CHIP 0.1UF 10.00% 16V			
3506		MS2	CAPACITOR		C1415	1-107-826-11	CERAMIC CHIP 0.1UF 10.00% 16V			
3507		MS2	CAPACITOR		C1416	1-107-826-11	CERAMIC CHIP 0.1UF 10.00% 16V			
3508		MS2	CAPACITOR		C1417	1-126-390-11	ELECT CHIP 22UF 20.00% 6.3V			
3509		MS2	CAPACITOR		C1419	1-162-970-11	CERAMIC CHIP 0.01UF 10.00% 25V			
3510		MS2	CAPACITOR		C1420	1-162-970-11	CERAMIC CHIP 0.01UF 10.00% 25V			
3511		MS2	CONNECTOR	*	CN1401	1-816-402-12	CONNECTOR, MEMORY STICK			
3512		MS2	CONNECTOR	*	CN1402	1-816-124-11	PIN, CONNECTOR (FOR PWB) 18P			
3513		MS2	CONNECTOR		CN1404	1-695-915-11	TAB (CONTACT)			
3514		MS2	DIODE		D1401	8-719-421-69	DIODE MA133			
3515		MS2	DIODE		D1402	8-719-421-69	DIODE MA133			
3516		MS2	DIODE		D1403	8-719-421-69	DIODE MA133			
3517		MS2	DIODE		D1404	8-719-421-69	DIODE MA133			
3518		MS2	DIODE		D1405	8-719-421-69	DIODE MA133			
3519		MS2	DIODE		D1406	8-719-421-69	DIODE MA133			
3520		MS2	DIODE		D1407	8-719-421-69	DIODE MA133			
3521		MS2	DIODE		D1408	8-719-421-69	DIODE MA133			
3522		MS2	DIODE		D1409	6-500-348-01	DIODE KPA-3010ID-GEC			
3523		MS2	DIODE		D1410	6-500-019-01	DIODE MM3Z3V9ST1			
3524		MS2	DIODE		D1411	6-500-019-01	DIODE MM3Z3V9ST1			
3525		MS2	DIODE		D1412	8-719-421-69	DIODE MA133			
3526		MS2	DIODE		D1413	8-719-421-69	DIODE MA133			

No.	#	Board	Type	△/*	Ref.No.	Part No.	Description	Remarks-1	Remarks-2	Difference
3527		MS2	DIODE		D1414	8-719-421-69	DIODE MA133			
3528		MS2	DIODE		D1415	8-719-421-69	DIODE MA133			
3529		MS2	DIODE		D1416	8-719-421-69	DIODE MA133			
3530		MS2	DIODE		D1417	8-719-421-69	DIODE MA133			
3531		MS2	FERRITE		FB1401	1-414-921-11	FERRITE 0UH			
3532		MS2	FERRITE		FB1402	1-414-921-11	FERRITE 0UH			
3533		MS2	FERRITE		FB1403	1-414-921-11	FERRITE 0UH			
3534		MS2	FERRITE		FB1404	1-414-921-11	FERRITE 0UH			
3535		MS2	IC		IC1401	8-759-639-86	IC SN65LVDS32DR			
3536		MS2	IC		IC1402	6-701-763-11	IC DS90LV017ATMX			
3537		MS2	IC		IC1402	6-702-546-11	IC SN65LVDS1DR			
3538		MS2	IC		IC1403	8-759-698-08	IC SN74CBTLV1G125DCKR			
3539		MS2	COIL		L1401	1-419-370-21	INDUCTOR 0UH			
3540		MS2	COIL		L1402	1-419-370-21	INDUCTOR 0UH			
3541		MS2	COIL		L1403	1-419-370-21	INDUCTOR 0UH			
3542		MS2	COIL		L1404	1-419-370-21	INDUCTOR 0UH			
3543		MS2	COIL		L1405	1-419-370-21	INDUCTOR 0UH			
3544		MS2	TRANSISTOR		Q1401	8-729-140-63	TRANSISTOR 2SA1611-M5M6			
3545		MS2	TRANSISTOR		Q1402	8-729-029-14	TRANSISTOR DTC144EUA-T106			
3546		MS2	TRANSISTOR		Q1403	8-729-216-22	TRANSISTOR 2SA1162-G			
3547		MS2	RESISTOR		R1401	1-216-801-11	METAL CHIP 22 5% 1/10W			
3548		MS2	RESISTOR		R1402	1-216-801-11	METAL CHIP 22 5% 1/10W			
3549		MS2	RESISTOR		R1403	1-216-801-11	METAL CHIP 22 5% 1/10W			
3550		MS2	RESISTOR		R1404	1-216-801-11	METAL CHIP 22 5% 1/10W			
3551		MS2	RESISTOR		R1405	1-218-692-11	METAL CHIP 1K 0.5% 1/10W			
3552		MS2	RESISTOR		R1406	1-216-809-11	METAL CHIP 100 5% 1/10W			
3553		MS2	RESISTOR		R1407	1-216-809-11	METAL CHIP 100 5% 1/10W			
3554		MS2	RESISTOR		R1408	1-216-809-11	METAL CHIP 100 5% 1/10W			
3555		MS2	RESISTOR		R1409	1-216-809-11	METAL CHIP 100 5% 1/10W			
3556		MS2	RESISTOR		R1410	1-216-803-11	METAL CHIP 33 5% 1/10W			
3557		MS2	RESISTOR		R1421	1-216-821-11	METAL CHIP 1K 5% 1/10W			
3558		MS2	RESISTOR		R1422	1-216-809-11	METAL CHIP 100 5% 1/10W			
3559		MS2	RESISTOR		R1424	1-216-833-11	METAL CHIP 10K 5% 1/10W			
3560		MS2	RESISTOR		R1425	1-216-845-11	METAL CHIP 100K 5% 1/10W			
3561		MS2	RESISTOR		R1426	1-218-871-11	METAL CHIP 10K 0.5% 1/10W			
3562		MS2	RESISTOR		R1428	1-216-864-11	SHORT CHIP 0			
3563		MS2	RESISTOR		R1431	1-216-864-11	SHORT CHIP 0			
3564		H1	CAPACITOR		C101	1-124-779-00	ELECT CHIP 10UF 20.00% 16V			
3565		H1	CAPACITOR		C102	1-107-826-11	CERAMIC CHIP 0.1UF 10.00% 16V			
3566		H1	CAPACITOR		C104	1-162-974-11	CERAMIC CHIP 0.01UF 50V			
3567		H1	CONNECTOR		CN101	1-565-881-11	PIN, CONNECTOR (PC BOARD) 9P			
3568		H1	CONNECTOR	*	CN105	1-565-882-11	PIN, CONNECTOR (PC BOARD) 10P			
3569		H1	CONNECTOR		CN106	1-565-878-11	PIN, CONNECTOR (PC BOARD) 6P			

No.	#	Board	Type	△/*	Ref.No.	Part No.	Descrption	Remarks-1	Remarks-2	Difference
3570		H1	CONNECTOR	*	CN107	1-565-876-11	PIN, CONNECTOR (PC BOARD) 4P			
3571		H1	DIODE		D101	6-500-284-01	DIODE DB3804X			
3572		H1	DIODE		D102	6-500-284-01	DIODE DB3804X			
3573		H1	DIODE		D103	6-500-284-01	DIODE DB3804X			
3574		H1	DIODE		D104	6-500-284-01	DIODE DB3804X			
3575		H1	DIODE		D105	6-500-284-01	DIODE DB3804X			
3576		H1	DIODE		D106	6-500-284-01	DIODE DB3804X			
3577		H1	DIODE		D107	6-500-284-01	DIODE DB3804X			
3578		H1	DIODE		D108	6-500-284-01	DIODE DB3804X			
3579		H1	DIODE		D110	8-719-069-55	DIODE UDZSTE-175.6B			
3580		H1	DIODE		D118	1-216-864-11	SHORT CHIP 0			
3581		H1	DIODE		D120	8-719-404-50	DIODE MA111-TX			
3582		H1	DIODE		D121	8-719-404-50	DIODE MA111-TX			
3583		H1	DIODE		D122	8-719-404-50	DIODE MA111-TX			
3584		H1	DIODE		D123	8-719-404-50	DIODE MA111-TX			
3585		H1	DIODE		D126	8-719-064-11	DIODE SPR-325MVW			
3586		H1	DIODE		D127	8-719-064-11	DIODE SPR-325MVW			
3587		H1	IC		IC101	8-759-567-08	IC MB88141APF-ER			
3588		H1	TRANSISTOR		Q101	8-729-907-00	TRANSISTOR DTC114EU			
3589		H1	TRANSISTOR		Q102	8-729-907-00	TRANSISTOR DTC114EU			
3590		H1	TRANSISTOR		Q103	8-729-907-00	TRANSISTOR DTC114EU			
3591		H1	TRANSISTOR		Q104	8-729-907-00	TRANSISTOR DTC114EU			
3592		H1	TRANSISTOR		Q105	8-729-907-00	TRANSISTOR DTC114EU			
3593		H1	TRANSISTOR		Q106	8-729-907-00	TRANSISTOR DTC114EU			
3594		H1	TRANSISTOR		Q107	8-729-907-00	TRANSISTOR DTC114EU			
3595		H1	TRANSISTOR		Q108	8-729-907-00	TRANSISTOR DTC114EU			
3596		H1	TRANSISTOR		Q117	8-729-216-22	TRANSISTOR 2SA1162-G			
3597		H1	TRANSISTOR		Q118	8-729-216-22	TRANSISTOR 2SA1162-G			
3598		H1	TRANSISTOR		Q119	8-729-216-22	TRANSISTOR 2SA1162-G			
3599		H1	TRANSISTOR		Q120	8-729-216-22	TRANSISTOR 2SA1162-G			
3600		H1	TRANSISTOR		Q121	1-801-806-11	TR DTC144EKA			
3601		H1	TRANSISTOR		Q122	1-801-806-11	TR DTC144EKA			
3602		H1	TRANSISTOR		Q123	1-801-806-11	TR DTC144EKA			
3603		H1	TRANSISTOR		Q124	1-801-806-11	TR DTC144EKA			
3604		H1	RESISTOR		R101	1-216-817-11	METAL CHIP 470 5% 1/10W			
3605		H1	RESISTOR		R102	1-216-817-11	METAL CHIP 470 5% 1/10W			
3606		H1	RESISTOR		R103	1-216-817-11	METAL CHIP 470 5% 1/10W			
3607		H1	RESISTOR		R104	1-216-817-11	METAL CHIP 470 5% 1/10W			
3608		H1	RESISTOR		R105	1-216-817-11	METAL CHIP 470 5% 1/10W			
3609		H1	RESISTOR		R106	1-216-817-11	METAL CHIP 470 5% 1/10W			
3610		H1	RESISTOR		R107	1-216-817-11	METAL CHIP 470 5% 1/10W			
3611		H1	RESISTOR		R108	1-216-817-11	METAL CHIP 470 5% 1/10W			
3612		H1	RESISTOR		R109	1-216-809-11	METAL CHIP 100 5% 1/10W			

No.	#	Board	Type	△/*	Ref.No.	Part No.	Description	Remarks-1	Remarks-2	Difference
3613		H1	RESISTOR		R110	1-216-809-11	METAL CHIP 100 5% 1/10W			
3614		H1	RESISTOR		R111	1-216-809-11	METAL CHIP 100 5% 1/10W			
3615		H1	RESISTOR		R124	1-216-833-11	METAL CHIP 10K 5% 1/10W			
3616		H1	RESISTOR		R125	1-216-833-11	METAL CHIP 10K 5% 1/10W			
3617		H1	RESISTOR		R126	1-216-833-11	METAL CHIP 10K 5% 1/10W			
3618		H1	RESISTOR		R127	1-216-833-11	METAL CHIP 10K 5% 1/10W			
3619		H1	RESISTOR		R128	1-216-833-11	METAL CHIP 10K 5% 1/10W			
3620		H1	RESISTOR		R129	1-216-833-11	METAL CHIP 10K 5% 1/10W			
3621		H1	RESISTOR		R130	1-216-833-11	METAL CHIP 10K 5% 1/10W			
3622		H1	RESISTOR		R131	1-216-833-11	METAL CHIP 10K 5% 1/10W			
3623		H1	RESISTOR		R132	1-216-817-11	METAL CHIP 470 5% 1/10W			
3624		H1	RESISTOR		R133	1-216-817-11	METAL CHIP 470 5% 1/10W			
3625		H1	RESISTOR		R134	1-216-817-11	METAL CHIP 470 5% 1/10W			
3626		H1	RESISTOR		R135	1-216-817-11	METAL CHIP 470 5% 1/10W			
3627		H1	RESISTOR		R136	1-216-821-11	METAL CHIP 1K 5% 1/10W			
3628		H1	RESISTOR		R137	1-216-821-11	METAL CHIP 1K 5% 1/10W			
3629		H1	RESISTOR		R138	1-216-821-11	METAL CHIP 1K 5% 1/10W			
3630		H1	RESISTOR		R139	1-216-821-11	METAL CHIP 1K 5% 1/10W			
3631		H3	CAPACITOR		C171	1-163-031-91	CERAMIC CHIP 0.01UF 50V			
3632		H3	CONNECTOR	*	CN171	1-565-876-11	PIN, CONNECTOR (PC BOARD) 4P			
3633		H3	DIODE		D171	8-719-914-44	DIODE DAP202K			
3634		H3	RESISTOR		R171	1-216-051-00	RES-CHIP 1.2K 5% 1/10W			
3635		H3	RESISTOR		R172	1-216-053-00	RES-CHIP 1.5K 5% 1/10W			
3636		H3	RESISTOR		R173	1-216-059-00	RES-CHIP 2.7K 5% 1/10W			
3637		H3	RESISTOR		R174	1-216-067-00	RES-CHIP 5.6K 5% 1/10W			
3638		H3	RESISTOR		R175	1-216-077-91	RES-CHIP 15K 5% 1/10W			
3639		H3	SWITCH		S171	1-762-196-21	SWITCH, TACT			
3640		H3	SWITCH		S172	1-762-196-21	SWITCH, TACT			
3641		H3	SWITCH		S173	1-762-196-21	SWITCH, TACT			
3642		H3	SWITCH		S174	1-762-196-21	SWITCH, TACT			
3643		H3	SWITCH		S175	1-762-196-21	SWITCH, TACT			
3644		H3	SWITCH		S176	1-762-196-21	SWITCH, TACT			
3645		H4	CAPACITOR		C191	1-162-974-11	CERAMIC CHIP 0.01UF 50V			
3646		H4	CAPACITOR		C192	1-162-974-11	CERAMIC CHIP 0.01UF 50V			
3647		H4	CONNECTOR		CN191	1-565-878-11	PIN, CONNECTOR (PC BOARD) 6P			
3648		H4	RESISTOR		R191	1-216-821-11	METAL CHIP 1K 5% 1/10W			
3649		H4	SWITCH		S191	1-554-118-00	SWITCH, PUSH (1 KEY)			

