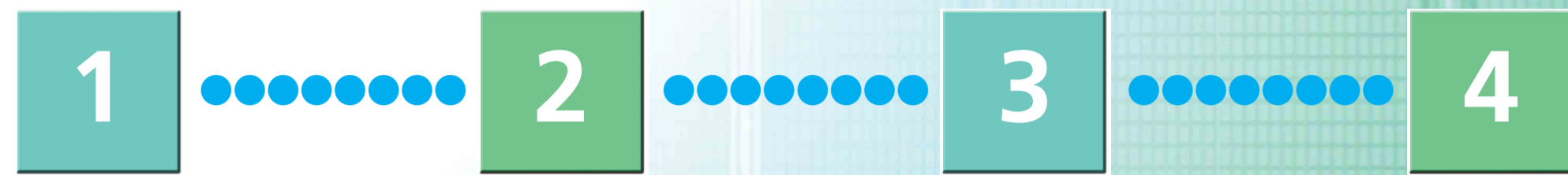


KLVS19A10  
KLVS23A10

# Quick Setup Guide

Please follow the steps to setup your TV:



**1** Checking the Supplied Accessories

**2** Connecting Your TV (See reverse side)

**3** Running Initial Setup

**4** Programming the Remote Control

If your product is not working properly **DO NOT RETURN TO THE STORE.** For service and technical assistance Call our Customer Information Service Center (Toll Free): 1-800-222-SONY (7669) for US residents. 1-877-899-SONY (7669) for Canadian residents.

Sony Corporation © 2005 Printed in Japan

## Making Video Connections

Your TV includes several types of video inputs. Use the inputs that are available on your components that provide the best video performance, as shown in the table on the right.

	Connector type
	HDMI* (High-Definition Multimedia Interface)
	Component video*
	S VIDEO
	Composite video
	RF/Coaxial



\* Support 480i, 480p, 720p, 1080i

## Additional Connections

For best audio performance, connect your digital audio components using either digital optical or digital coaxial audio connections. Depending on which components are in your system, you may need to complete additional connections. For example, if you have a satellite receiver, you'll need to connect the satellite antenna. If you have an A/V receiver, you'll need to connect speakers.

### Notes

- The connection diagrams shown on the reverse side are recommendations only; other possible solutions may exist. Connections that include an A/V receiver can often be very complex, so check your A/V receiver's instruction manual for additional details.
- See the Operating Instructions when connecting to a personal computer.

# 4 Programming the Remote Control

The remote control is preset to operate Sony brand video equipment.

Sony Equipment	Programmable Code Number
DVD/VCR	601 (Sony Dream System)
SAT/Cable	801 (Sony Satellite Receiver)

Follow the steps below to program your TV's remote control to operate the non-Sony video equipment.

Using the code list below, find the three-digit code number for the manufacturer of your equipment. (If more than one code number is listed, use the number listed first.)



- Press and hold the **FUNCTION** button you want to program on the remote control and press the **TV** button simultaneously. The selected **FUNCTION** button (DVD/VCR or SAT/CABLE) will flash.
- Enter the three-digit manufacturer's code number using the **0-9** buttons while the button is lit, approximately 10 seconds.
- Press **TV** button. When the programming is correct, the selected **FUNCTION** button will flash twice slowly, and when not, flashes five times quickly.

### To check if the code works

Aim your TV's remote control at the equipment, and press the green **POWER** button. If the equipment responds, the programming is completed. If not, try the next code listed.

### Tips

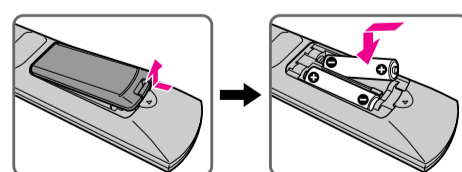
- If no code is input within the above specified time, or an invalid or incorrect code number is input, the remote control automatically goes back to the previous setting.
- In some cases, you may not be able to program your remote control to operate other equipment. In such cases, use the equipment's own remote control.
- Dead batteries or removing the batteries may cause the programmable codes to be lost and revert back to factory settings. Reprogramming the codes may be necessary.

## 1 Checking the Supplied Accessories

- Remote control (RM-YA001) (1) and size AA batteries (2)
- 75-ohm coaxial cable (ferrite core attached) (1)
- AC power cord (1)
- AC power adaptor (1) (KLVS19A10 only)
- HD15-HD15 cable (1)
- Support belt (1), securing screw (1) and wood screw (1)
- Operating Instructions (1)
- Quick Setup Guide (1)
- Leaflet (Installing the Wall-Mount Bracket to the TV) (1)
- Warranty Card (1)

## Inserting Batteries into the Remote Control

Insert two size AA batteries (supplied) by matching the **+** and **-** on the batteries to the diagram inside the remote control's battery compartment.



## 2 Connecting Your TV

Review the following chart to determine which diagram to use to connect the components in your system:

For these components	See reverse side
Cable Box OR   VCR  DVD Player	<b>A</b>
Cable Box OR   VCR  DVD Player  AV Receiver	<b>B</b>
Cable Box OR   VCR  DVD Player  Satellite Receiver	<b>C</b>
Cable Box OR   DVD Player  AV Receiver  Digital Recorder	<b>D</b>
HD Cable Box OR   VCR  DVD Player	<b>E</b>
Cable Box OR   VCR  Sony Dream System	<b>F</b>

- See the "Cables Required" chart that appears with the diagram to determine which cables you'll need. You may need to purchase extra accessories, such as cables and splitters, depending on the components you plan to connect.
- Turn off and unplug all components before making connections.
- If you are connecting a digital cable box, you'll need a special bi-directional splitter that's compatible with your cable box. Contact your cable provider for details.

## 3 Running Initial Setup

- Press **POWER** to turn on the TV. The Initial Setup screen appears.
- Press **↑** or **↓** to select the on-screen display language. Then press **OK**. The message "First please connect cable/antenna" appears.

### Note

By default, Auto Program is set to scan cable TV channels.

- Press **CH+** to start Auto Program.

Auto Program automatically creates a list of receivable channels. When finished, the lowest numbered channel is displayed. When all the receivable channels are stored, the "Show/Hide Channels" settings appear.

### To scan available VHF/UHF antenna channels instead of the cable TV channels

- Select Settings in WEGA GATE, then go to Channels settings.
- Set Cable to Off.
- Start Auto Program by pressing **CH+**.

To perform Auto Program again, follow the above instructions. Depending on your signal source, be sure to set Cable to On or Off accordingly (see Operating Instructions).

### Note

The Initial Setup menu will appear each time the TV is turned on until you complete the scanning for the available channels.

### Manufacturer's Codes

Manufacturer	Code	Manufacturer	Code
<b>DVD Players</b>		<b>DVD Players</b>	
Sony	751	Broksonic	319, 317
General Electric	755	Canon	309, 308
Hitachi	758	Citizen	332
JVC	756	Craig	302, 332
Magnavox	757	Curtis Mathes	304, 338, 309
Mitsubishi	761	Daewoo	341, 312, 309
Panasonic	753	DBX	314, 336, 337
Philips	757	Dimensia	304
Pioneer	752	Emerson	319, 320, 316, 317, 318, 341
RCA/PROSCAN	755	Fisher	330, 335
Samsung	758	Funai	338
Toshiba	754	General Electric	329, 304, 309
Zenith	760	Go Video	322, 339, 340
		Goldstar	332
		Hitachi	306, 304, 305, 338
		Instant Replay	309, 308
		JC Penney	309, 305, 304, 330, 314, 336, 337
		Sony	765
		Panasonic	766
		JVC	314, 336, 337, 345, 346, 347
		Kenwood	314, 336, 332, 337
		LG	332
		LXI (SEARS)	332, 305, 330, 335, 338
		Sony	767
		Zenith	768
		Toshiba	773
		Samsung	774
		JVC	775
		Broksonic	776
		Panasonic	777
		Multitech	325, 338, 321
		NEC	314, 336, 337
		Olympic	309, 308
		Optimus	327
		Orion	317
		Panasonic	308, 309, 306, 307
		Pentax	305, 304
		Philco	308, 309
		Philips	308, 309, 310
		Pioneer	308
		Quasar	308, 309, 306
		RCA/PROSCAN	304, 305, 308, 309, 311, 312, 313, 310, 329
		Sony	764
		Realistic	309, 330, 328, 335, 324, 338
		Sansui	314
		Samsung	322, 313, 321
		Sanyo	330, 335
		Admiral (M. Ward)	327

### DVD Changers

Manufacturer	Code	Manufacturer	Code
<b>DVD Changers</b>		<b>Cable Boxes</b>	
Sony	765	Sony	230
Panasonic	766	Hamlin/Regal	222, 223, 224, 225, 226
		Jerrold/G.I./Motorola	201, 202, 203, 204, 205, 206, 207, 208, 218, 222
		LG	332
		LXI (SEARS)	332, 305, 330, 335, 338
		Sony	767
		Zenith	768
		Toshiba	773
		Samsung	774
		JVC	775
		Broksonic	776
		Panasonic	777
		Magnavox	308, 309, 310
		Marantz	314, 336, 337
		Marta	332
		Memorex	309, 335
		Minolta	305, 304
		Mitsubishi/MGA	323, 324, 325, 326
		Multitech	325, 338, 321
		NEC	314, 336, 337
		Olympic	309, 308
		Optimus	327
		Orion	317
		Panasonic	308, 309, 306, 307
		Pentax	305, 304
		Philco	308, 309
		Philips	308, 309, 310
		Pioneer	308
		Quasar	308, 309, 306
		RCA/PROSCAN	304, 305, 308, 309, 311, 312, 313, 310, 329
		Sony	764
		Realistic	309, 330, 328, 335, 324, 338
		Sansui	314
		Samsung	322, 313, 321
		Sanyo	330, 335
		Admiral (M. Ward)	327

### HDD/DVD Combo Units

Manufacturer	Code	Manufacturer	Code
<b>HDD/DVD Combo Units</b>		<b>Satellite Receivers</b>	
Sony	770, 771, 772	Sony	801
		Dish Network	810
		Echostar	810
		General Electric	802
		Hitachi	805
		Hughes	804
		Mitsubishi	809
		Panasonic	803
		RCA/PROSCAN	802, 808
		Toshiba	806, 807
		Philips	811
		Samsung	812

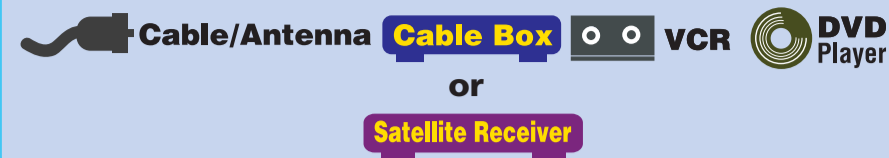
### VCRs

Manufacturer	Code
Sony	301, 302, 303
Admiral (M. Ward)	327

\* If an Aiwa VCR does not work even though you enter the code for Aiwa, enter the code for Sony instead.

**A**

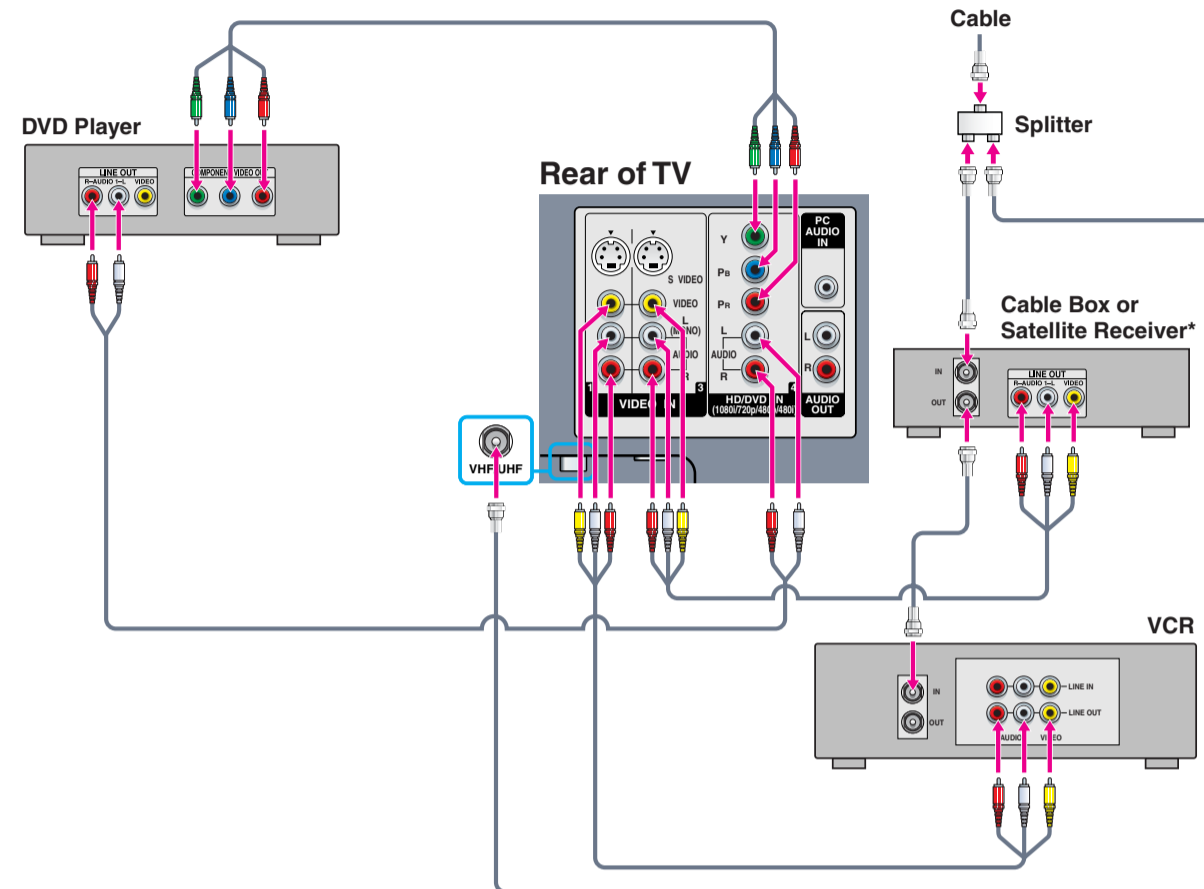
Use this diagram if you have;



Cables Required	
Splitter	1
Coaxial	4
Composite	2
Component	1
Audio	1

If your DVD player or satellite receiver has an HDMI jack, use that instead of the video connections shown here.

If you are not using a cable box or satellite receiver, connect your cable or antenna to the VCR's RF IN jack.

**B**

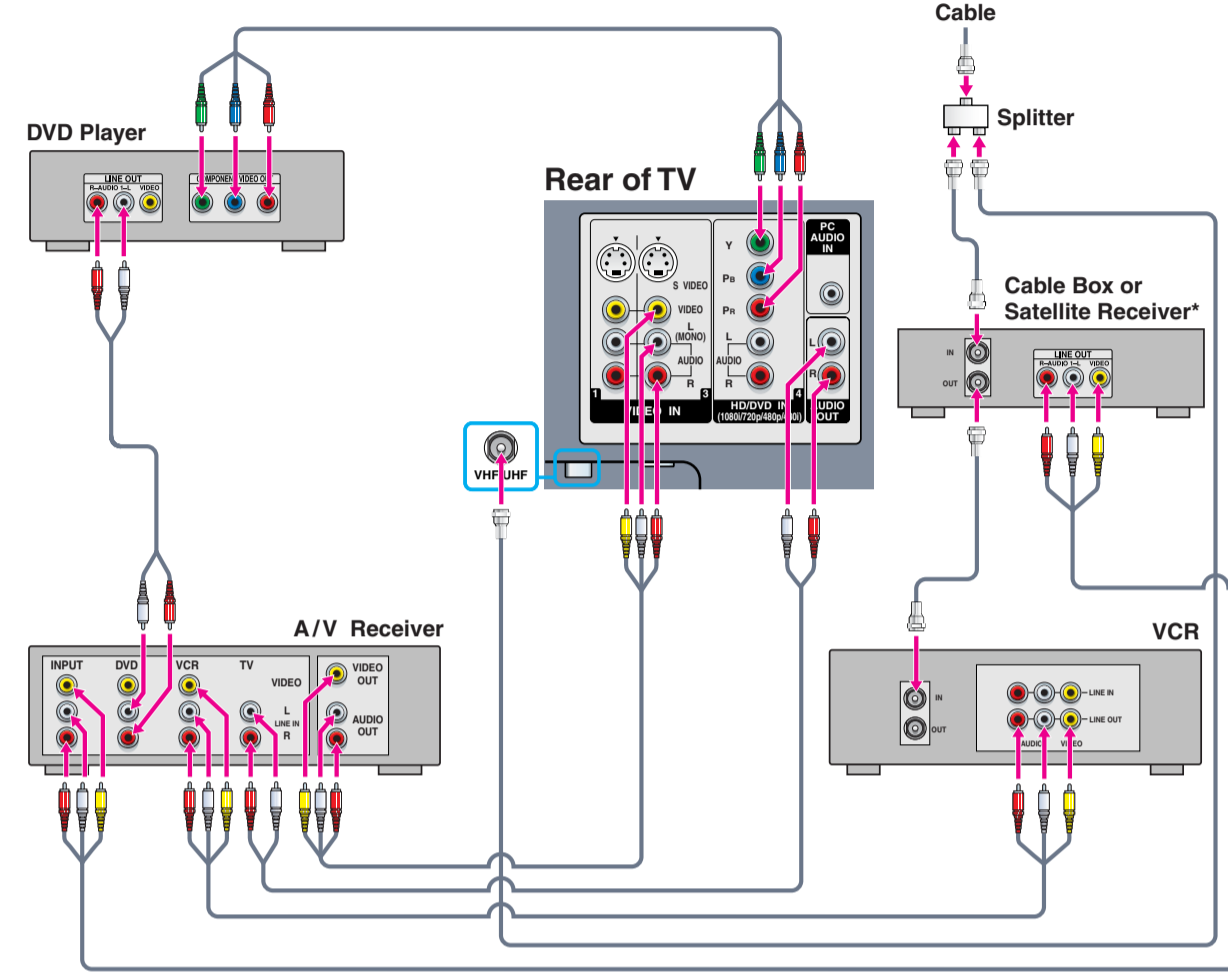
Use this diagram if you have;



Cables Required	
Splitter	1
Coaxial	4
Composite	3
Component	1
Audio	2

If your DVD player or satellite receiver has an HDMI jack, use that instead of the video connections shown here.

If you are not using a cable box or satellite receiver, connect your cable or antenna to the VCR's RF IN jack.

**C**

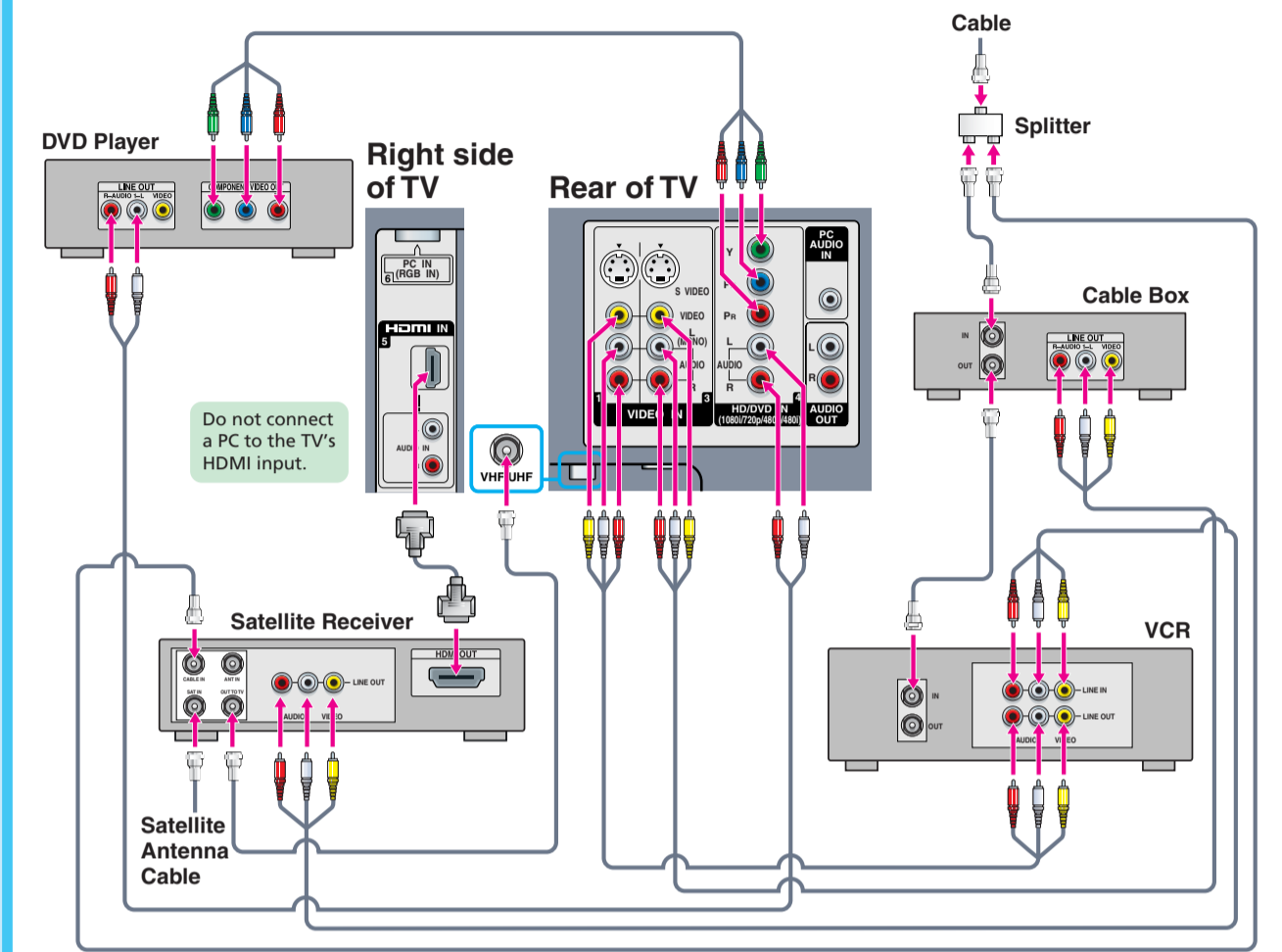
Use this diagram if you have;



Cables Required	
Splitter	1
Coaxial	6
Composite	3
Component	1
HDMI	1
Audio	1

The DVI-HDTV VIDEO connector does not provide audio, so audio cables must be connected to provide sound when a DVI to HDMI adaptor is used.

If you are not using a cable box, connect your cable or antenna to the VCR's RF IN jack.

**D**

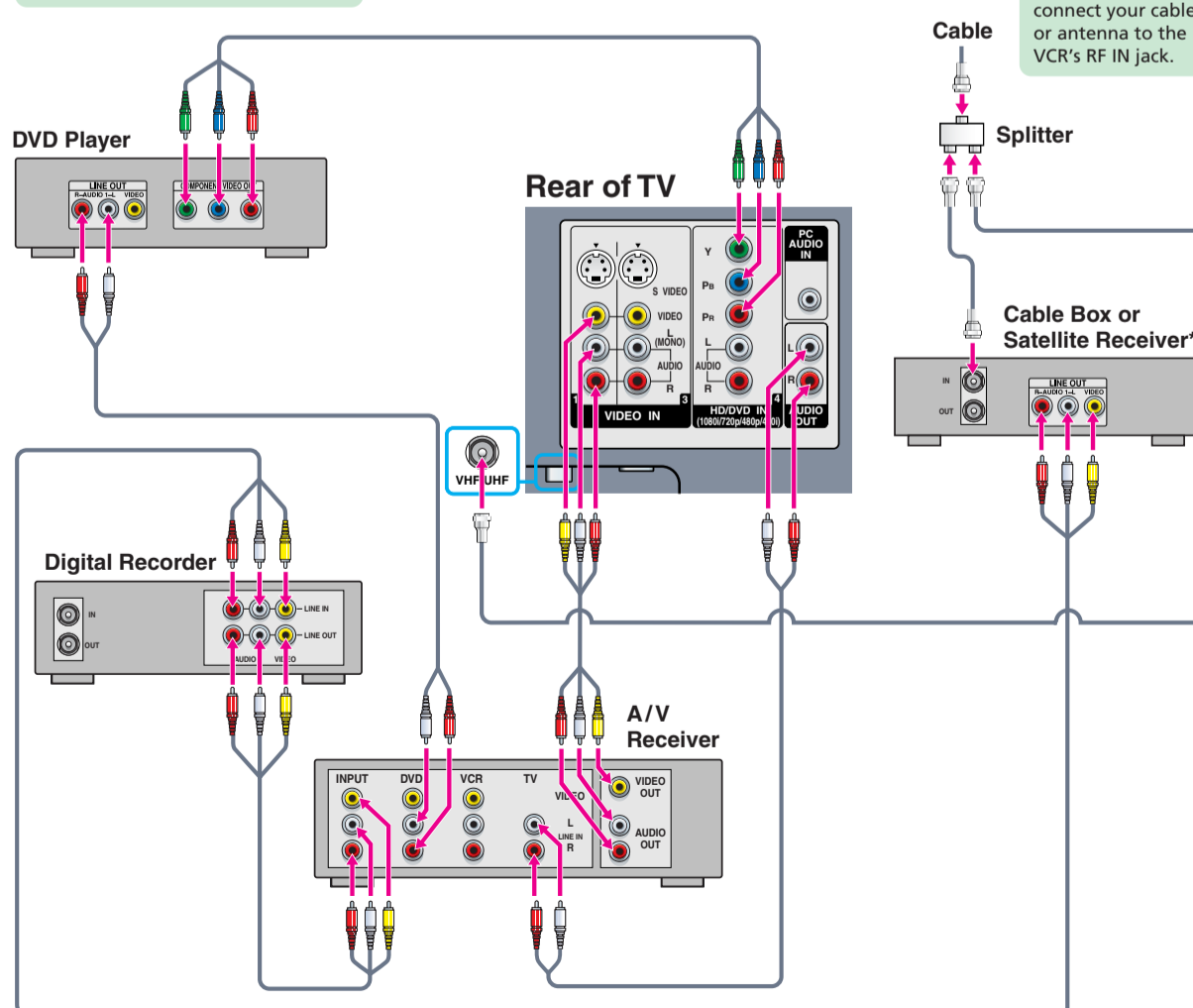
Use this diagram if you have;



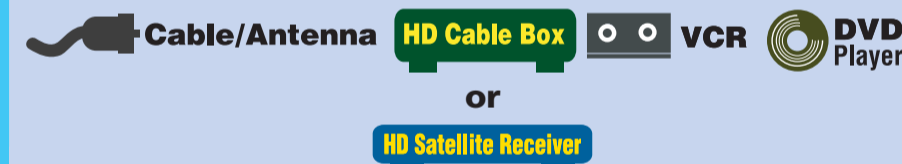
Cables Required	
Splitter	1
Coaxial	3
Composite	3
Component	1
Audio	2

If your DVD player or satellite receiver has an HDMI jack, use that instead of the video connections shown here.

If you are not using a cable box or satellite receiver, connect your cable or antenna to the VCR's RF IN jack.

**E**

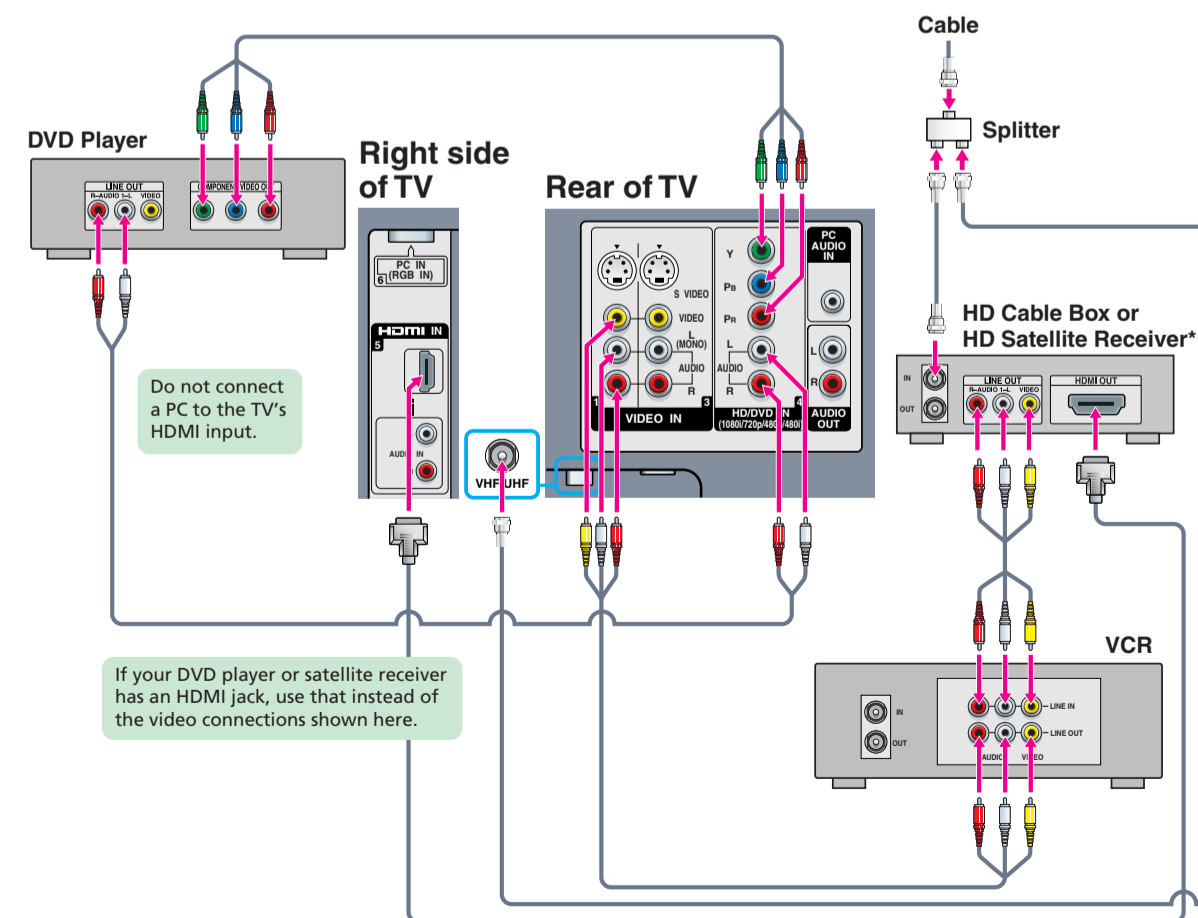
Use this diagram if you have;



Cables Required	
Splitter	1
Coaxial	3
Composite	2
Component	1
HDMI	1
Audio	1

The DVI-HDTV VIDEO connector does not provide audio, so audio cables must be connected to provide sound when a DVI to HDMI adaptor is used.

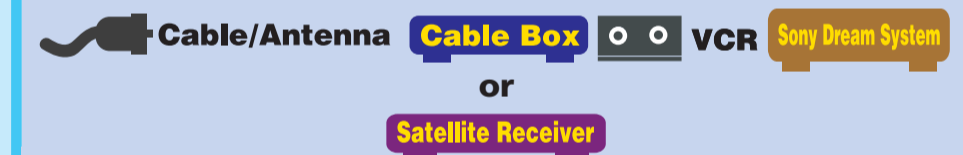
If your cable box has a DVI jack, use that instead of the video connections shown here.



If your DVD player or satellite receiver has an HDMI jack, use that instead of the video connections shown here.

**F**

Use this diagram if you have;



Cables Required	
Splitter	1
Coaxial	4
Composite	2
Component	1 (without Audio)
Component	1

If you are not using a cable box or satellite receiver, connect your cable or antenna to the VCR's RF IN jack.

