

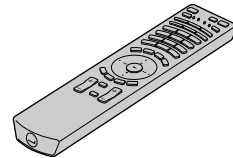
Thank you for purchasing this Sony product.

After following this step by step guide you will be able to:

- Insert batteries into the remote control.
- Connect the display unit to the media receiver unit.
- Connect a cable or antenna to your TV.
- Tune your TV.
- Program your remote control

Now you are ready for viewing TV programs.

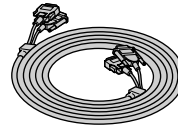
Remote Control (RM-Y1000):



Two size AA batteries (R06 Type):



Display Interface Cable:



Antenna Cable:



Two AC power cords:

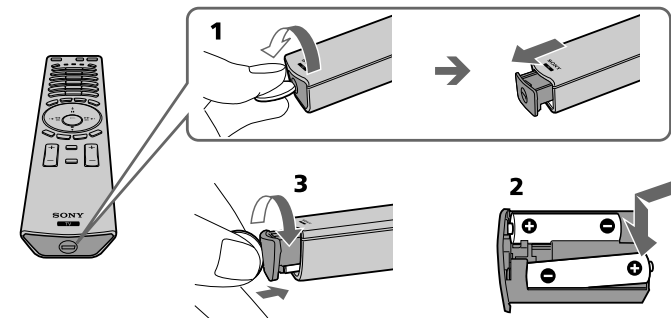


- Speaker jack covers (KDL42XBR950 only)
- Operating Instructions

- Quick Start Guide
- Warranty Card

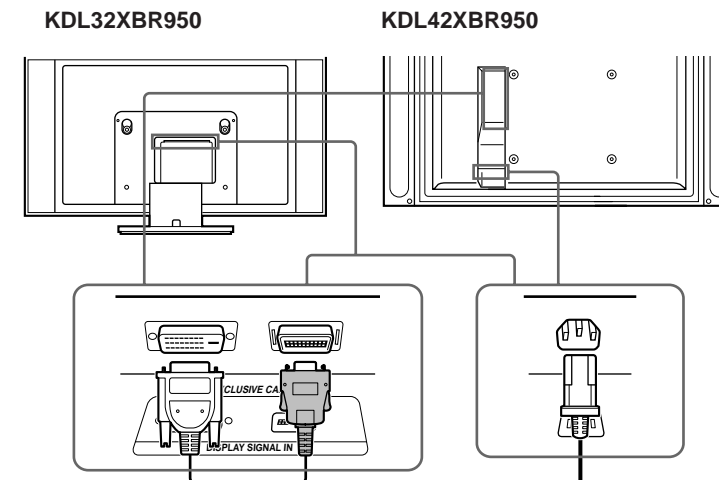
Inserting Batteries into the Remote Control

- 1 Open the battery compartment as illustrated below.
- 2 Insert two size AA batteries (supplied) by matching the + and - terminals on the batteries to the diagram inside the battery compartment.
- 3 Close the battery compartment.



- ⚠ Remove the batteries to avoid damage from possible battery leakage whenever you anticipate that the remote control will not be used for an extended period.
- ⚠ Handle the remote control with care.
- ⚠ Avoid dropping it, getting it wet, placing it in direct sunlight, near a heater, or where the humidity is high.

- 1 Connect the display interface cable (supplied) to the DISPLAY SIGNAL IN jacks, and the AC power cord (supplied) to the AC IN jack of the unit.

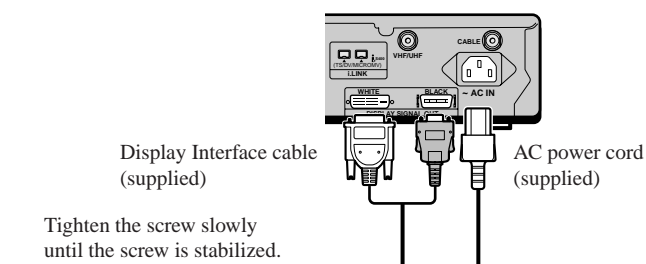


Tighten the screw slowly until the Display Interface cable (supplied) screw is stabilized.

AC power cord (supplied)

- ⚠ When you install KDL42XBR950, use the optional accessories as follows:
 - SONY TABLE TOP STAND: SU-P42T2
 - SONY WALL-MOUNT BRACKET: SU-PW2
 - SONY FLOATING STAND: SU-PF1

- 2 Connect the other end of display interface cable to the media receiver unit's DISPLAY SIGNAL OUT jacks, and connect the media receiver unit's AC power cord (supplied) to the AC IN jack.



Tighten the screw slowly until the screw is stabilized.

- ⚠ Be sure to use the supplied AC power cords.
- ⚠ When connecting optional components, do not connect the AC power cords to wall outlets until you have completed making all connections.
- ⚠ Do not tighten the screws too much. It may damage the screws.
- ⚠ Do not use damaged cables, such as cables whose connectors are deformed.
- ⚠ Handle the display interface cable with care. This unit may fall and cause injury if accidentally knocked or pulled by the connected cable.
- ⚠ To store the AC power cord and the display interface cable in the stand;
 - (KDL32XBR950) See "Storing the AC power cord and the display interface cable into the stand (KDL32XBR950 only)" on page 28 of the operating instructions.
 - (KDL42XBR950) See the operating instructions for the optional tabletop stand.

The way in which you will connect your TV varies, depending on how your home receives a signal (cable, cable box, antenna) and whether or not you plan to connect a VCR or other optional AV equipment. See examples A, B or C to connect your TV. For details on other connection examples, see pages 31 to 54 of the operating instructions.

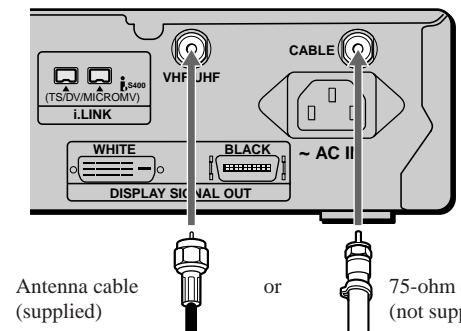
A Cable or Antenna

For best results, use this connection if you are connecting a cable or an antenna and you;

- Do not need a cable box to unscramble channels.
- Do not intend to connect a VCR.

For antenna connection, use the supplied antenna cable.

Rear of Media Receiver Unit

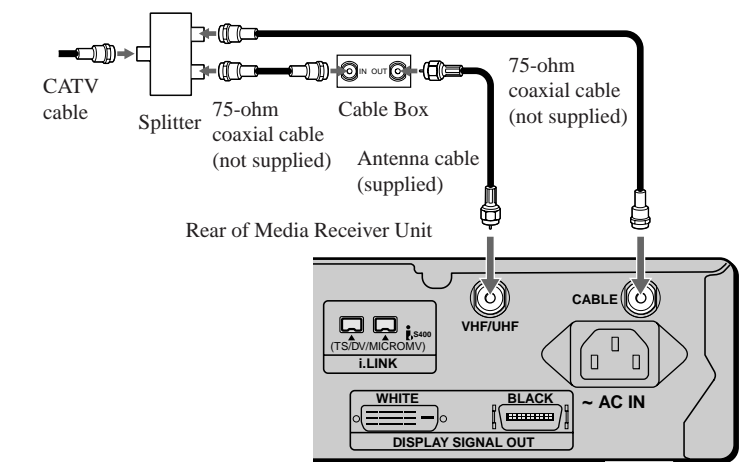


- ⚠ When using an indoor antenna, such as rabbit-ear or dipole-antenna, keep the antenna away from the display unit. If not, noise may appear on the screen.

B Cable Box and Cable

For best results, use this connection if;

- Your cable company scrambles some channels, such as premium channels (which requires you to use a cable box), but does not scramble all channels.
- You do not have a VCR.



4 Connecting a Cable or Antenna

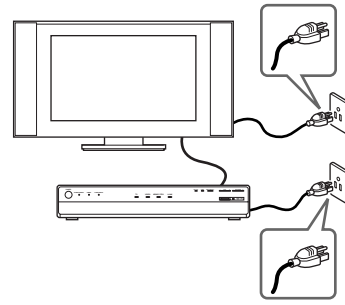
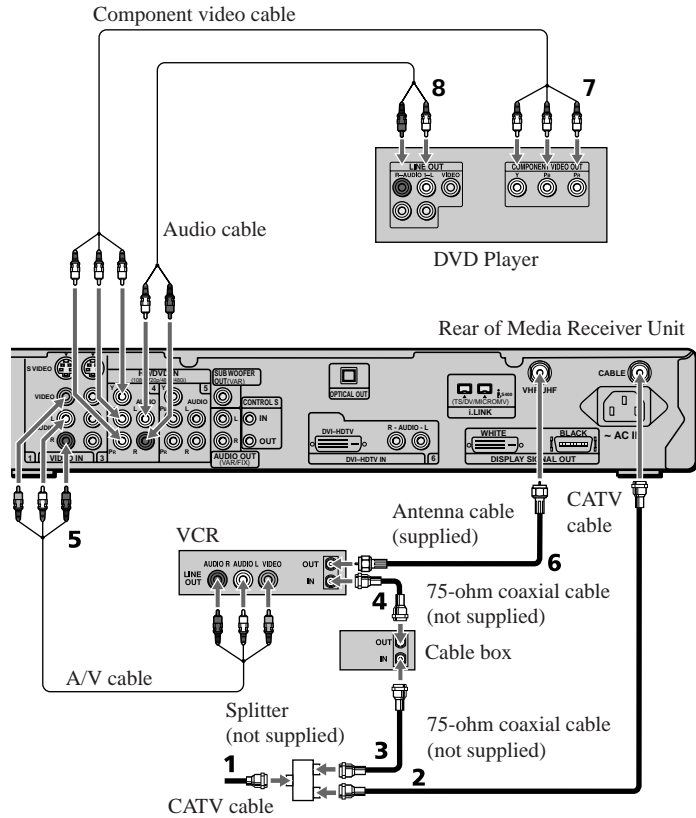
5 Tuning Your TV Automatically

6 Programming Your Remote Control

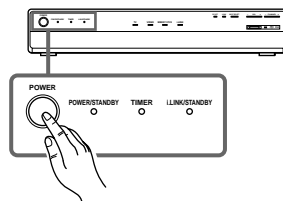
C Cable Box, VCR and DVD Player

For best results, use this connection if;

- Your cable company scrambles some channels, such as premium channels (which requires you to use a cable box), but does not scramble all channels.



1 Connect the display unit and media receiver unit to wall outlets.

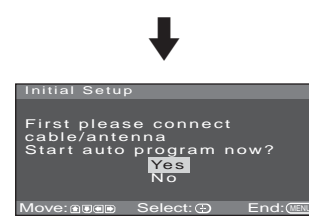


2 Press POWER to turn on the TV. The Initial Setup screen appears.

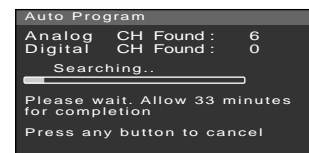


3 Press \downarrow or \uparrow of the remote control to select the on-screen display language. Then press ENTER of the remote control.

The message "Start auto program now?" appears.



4 Press \downarrow or \uparrow of the remote control to select "Yes", then press ENTER of the remote control.



Auto Program automatically creates a list of receivable channels. When finished, the lowest numbered channel is displayed.

- To run the Auto Program feature at a later time, see page 110 of the operating instructions.
- To add individual digital channels, use the Digital Channel feature on page 78 of the operating instructions.
- The Auto Program feature does not apply for installations that use a cable box for all channel selection.
- Auto Program may take up to 30 minutes to complete. A progress bar is displayed while the channel list is being created.

The remote control is preset to operate Sony brand video equipment. Beta/ED Beta VCRs: 303, 8mm VCR: 302, VHS VCR: 301, DVD player: 751, i.LINK: 901.

If you have video equipment other than Sony brand that you want to control with the TV's remote control, use the following procedure to program the remote control.

The equipment must have infrared (IR) remote capability in order to be used with the remote control.

1 Refer to the following list of "Manufacturer's Codes" below and right, and find the three-digit code number for the manufacturer of your equipment. (If more than one code number is listed, use the number listed first.)

2 Press FUNCTION repeatedly until the DVD/VCR, SAT/CABLE or i.LINK indicator lights up.

3 Press SAT/CABLE for five seconds until the indicator of the selected input flashes.

4 While the desired indicator is flashing, enter the three-digit manufacturer's code number.

5 Press ENTER.

You must do step 5 within 10 seconds of step 4, or you must redo steps 4 through 5.

6 To check if the code number works, aim the remote control at the equipment and press POWER that corresponds with that equipment. If it responds, you are done. If not, try using another code listed for that manufacturer.

Manufacturer's Codes

VCRs

Manufacture	Code
Sony	301, 302, 303
Admiral (M.Ward)	327
Aiwa	338, 344
Audio Dynamic	314, 337
Broksonic	319, 317
Canon	309, 308
Citizen	332
Craig	302, 332
Criterion	315
Curtis Mathes	304, 338, 309
Daewoo	341, 312, 309
DBX	314, 336, 337
Dimensia	304
Emerson	319, 320, 316, 317, 318, 341
Fisher	330, 335
Funai	338
General Electric	329, 304, 309
Go Video	322, 339, 340
Goldstar	332
Hitachi	306, 304, 305, 338
Instant Replay	309, 308
JC Penney	309, 305, 304, 330, 314, 336, 337

Manufacture	Code
JVC	314, 336, 337, 345, 346, 347
Kenwood	314, 336, 332, 337
LG	332
LXI (Sears)	332, 305, 330, 335, 338
Magnavox	308, 309, 310
Marantz	314, 336, 337
Marta	332
Memorex	309, 335
Minolta	305, 304
Mitsubishi/MGA	323, 324, 325, 326
Multitech	325, 338, 321
NEC	314, 336, 337
Olympic	309, 308
Optimus	327
Orion	317
Panasonic	308, 309, 306, 307
Pentax	305, 304
Philco	308, 309
Philips	308, 309, 310
Pioneer	308
Quasar	308, 309, 306

Manufacturer's Codes

VCRs

Manufacture	Code
RCA/PROSCAN	304, 305, 308, 309, 311, 312, 313, 310, 329
Realistic	309, 330, 328, 335, 324, 338
Sansui	314
Samsung	322, 313, 321
Sanyo	330, 335
Scott	312, 313, 321, 335, 323, 324, 325, 326
Sharp	327, 328
Signagure 2000 (M.Ward)	338, 327
SV2000	338
Sylvania	308, 309, 338, 310
Symphonic	338
Tashiro	332
Tatung	314, 336, 337
Teac	314, 336, 338, 337
Technics	309, 308
Toshiba	312, 311
Wards	327, 328, 335, 331, 332
Yamaha	314, 330, 336, 337
Zenith	331

AV Receiver*

Manufacture	Code
Sony	651

5.1 DVD AV System (DAV)*

Manufacture	Code
Sony	601

Cable Boxes

Manufacture	Code
Sony	230
Hamlin/Regal	222, 223, 224, 225, 226
Jerrold/G.I.	201, 202, 203, 204, 205, 206, 207, 208, 218
Oak	227, 228, 229
Panasonic	219, 220, 221
Pioneer	214, 215
Scientific Atlanta	209, 210, 211
Tocom	216, 217
Zenith	212, 213

Satellite Receivers

Manufacture	Code
Sony	801
Dish Network	810
Echostar	810
General Electric	802
Hitachi	805
Hughes	804
Mitsubishi	809
Panasonic	803
RCA/Proscan	802, 808
Toshiba	806, 807

* This manufacturer code might not work for some models. Please see page 62 of the operating instructions for the models functioning with these codes.

Your TV is now ready for use.